

US00D767680S

(12) **United States Design Patent**
Maman et al.

(10) **Patent No.:** **US D767,680 S**

(45) **Date of Patent:** **** *Sep. 27, 2016**

(54) **SIGN DISPLAY**

(71) Applicants: **Israel Maman**, Nahariya (IL); **Reuven Maman**, Nahariya (IL)

(72) Inventors: **Israel Maman**, Nahariya (IL); **Reuven Maman**, Nahariya (IL)

(*) Notice: This patent is subject to a terminal disclaimer.

(**) Term: **14 Years**

(21) Appl. No.: **29/490,555**

(22) Filed: **May 12, 2014**

(30) **Foreign Application Priority Data**

Nov. 12, 2013 (IL) 54784
Nov. 12, 2013 (IL) 54785

(51) **LOC (10) Cl.** **20-03**

(52) **U.S. Cl.**
USPC **D20/43**

(58) **Field of Classification Search**

USPC D20/10, 17, 19, 43, 44, 99; D10/109.1, D10/109.2, 113.4; D6/300, 301
CPC G09F 1/10; G09F 1/103; G09F 1/12; G09F 1/14; G09F 2001/106; G09F 3/08; G09F 3/12; G09F 3/16; G09F 3/18; G09F 3/20; G09F 3/201; G09F 3/202; G09F 3/204; A47G 1/06; A47G 1/0638; A47G 2001/145
See application file for complete search history.

(56) **References Cited**

U.S. PATENT DOCUMENTS

4,187,630 A * 2/1980 Giulie G09F 1/12
40/757
4,290,530 A * 9/1981 Wooster A47F 7/146
211/186
D284,392 S * 6/1986 Weil D20/19
4,679,341 A * 7/1987 Goldman G09F 7/10
40/490
5,012,600 A * 5/1991 Wang A47G 1/0638
24/176
5,367,803 A * 11/1994 Albin B44C 5/02
40/759
6,076,295 A * 6/2000 Garfinkle G09F 7/18
40/605
D452,081 S * 12/2001 Rowan D6/300

7,055,275 B1 * 6/2006 Teza A47G 1/065
40/674
7,308,769 B2 * 12/2007 Labeledz G09F 7/02
40/568
D652,083 S * 1/2012 Yi D20/42
D711,670 S * 8/2014 Woods D6/681
D742,651 S * 11/2015 Sands D6/300
2001/0045038 A1 * 11/2001 Szalay G09F 7/10
40/661
2008/0000125 A1 * 1/2008 Chang A47G 1/06
40/723
2014/0109448 A1 * 4/2014 Lehrkamp G09F 15/0012
40/606.09
2014/0305015 A1 * 10/2014 Zelbacher A47G 1/0622
40/714

* cited by examiner

Primary Examiner — Mary Ann Calabrese

(74) *Attorney, Agent, or Firm* — William Dippert; Laurence Greenberg; Werner Stemer

(57) **CLAIM**

The ornamental design for a sign display, as shown and described.

DESCRIPTION

FIG. 1 is a frontal elevation view showing a first embodiment of our new design for a sign display of the present invention.

FIG. 2 is a right side elevation view of the sign display of the first embodiment thereof.

FIG. 3 is a left side elevation view of the first embodiment thereof.

FIG. 4 is a frontal elevation view showing a second embodiment of the sign display of the present invention with break lines indicating no specific length.

FIG. 5 is a right side elevation view of the second embodiment thereof, with break lines indicating no specific length.

FIG. 6 is a left side elevation view of the second embodiment thereof, with break lines indicating no specific length.

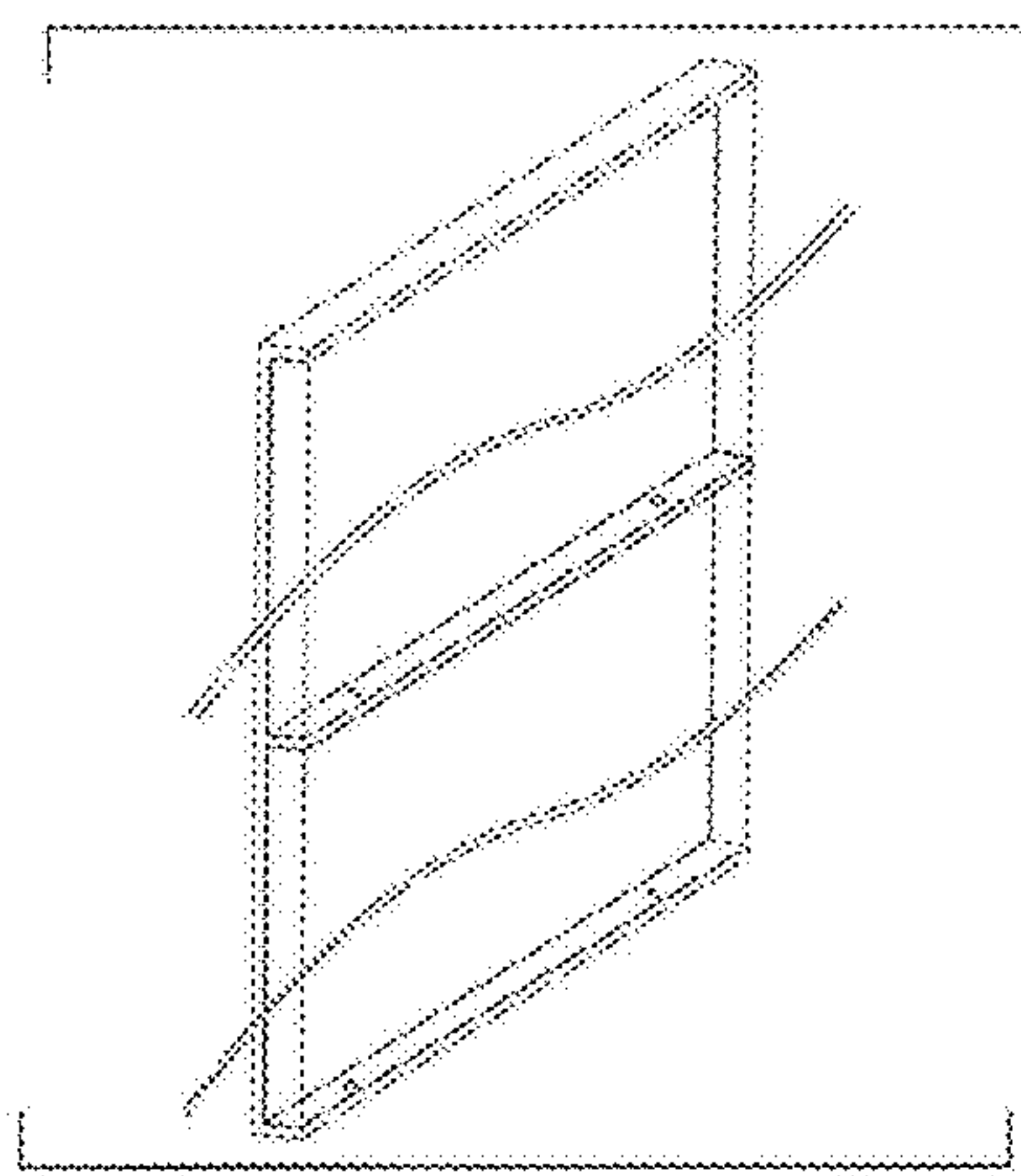
FIG. 7 is a top elevation view of the first and the second embodiments thereof.

FIG. 8 is a bottom elevation view of the first and the second embodiments thereof; and,

FIG. 9 is an isometric view of the second embodiment of the sign display thereof, with break lines indicating no specific length.

The present invention is a sign display for changeable signs that can be placed and replaced behind a transparent block so as to be displayed.

1 Claim, 3 Drawing Sheets



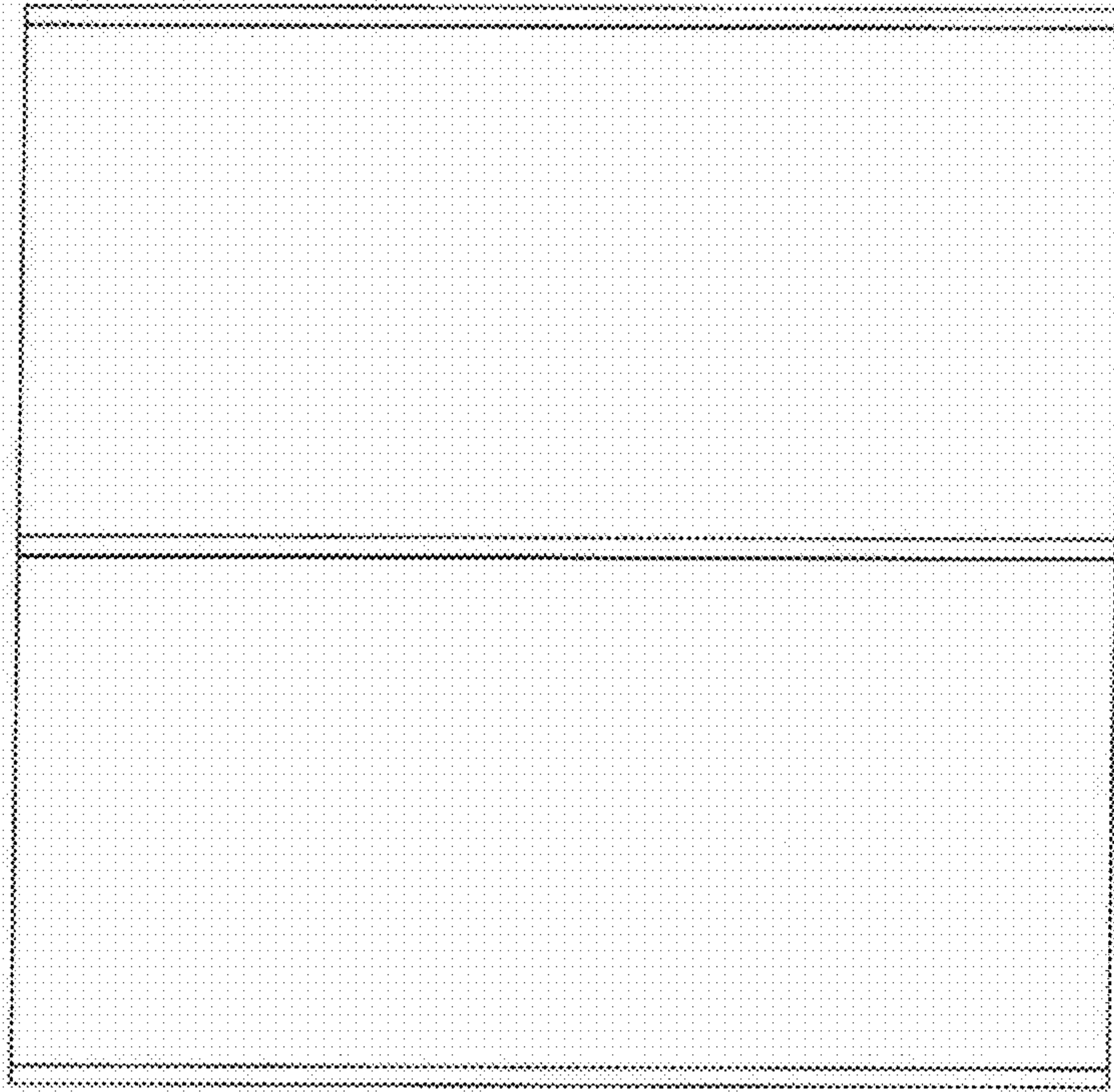


Figure 1

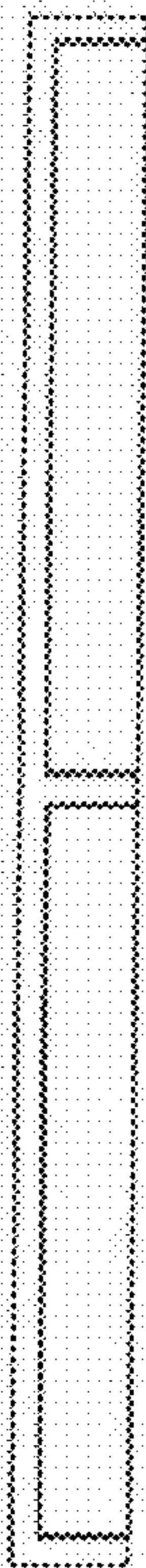


Figure 2

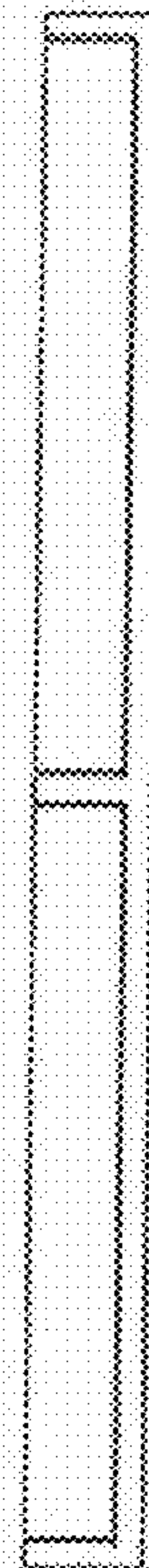


Figure 3

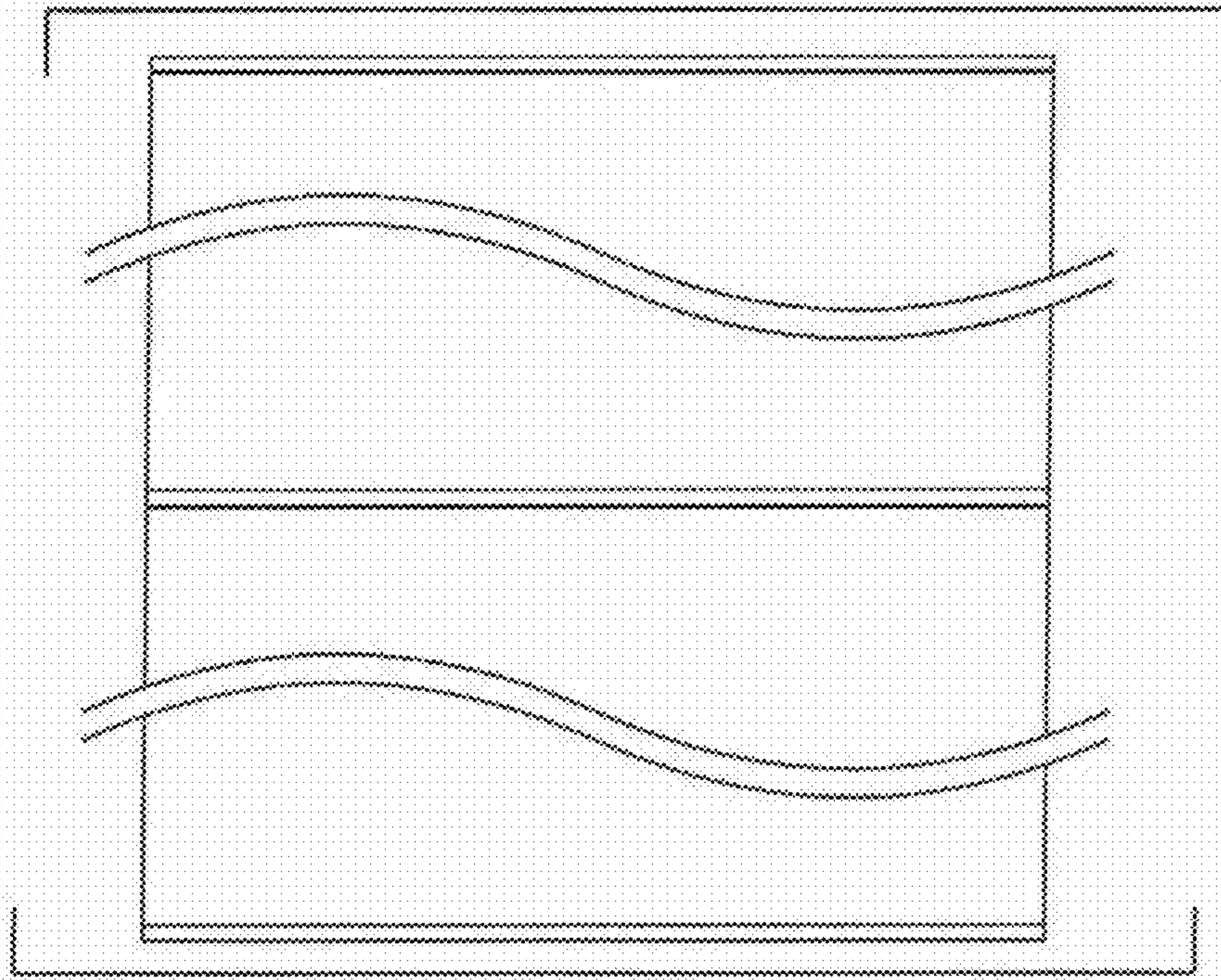


Figure 4

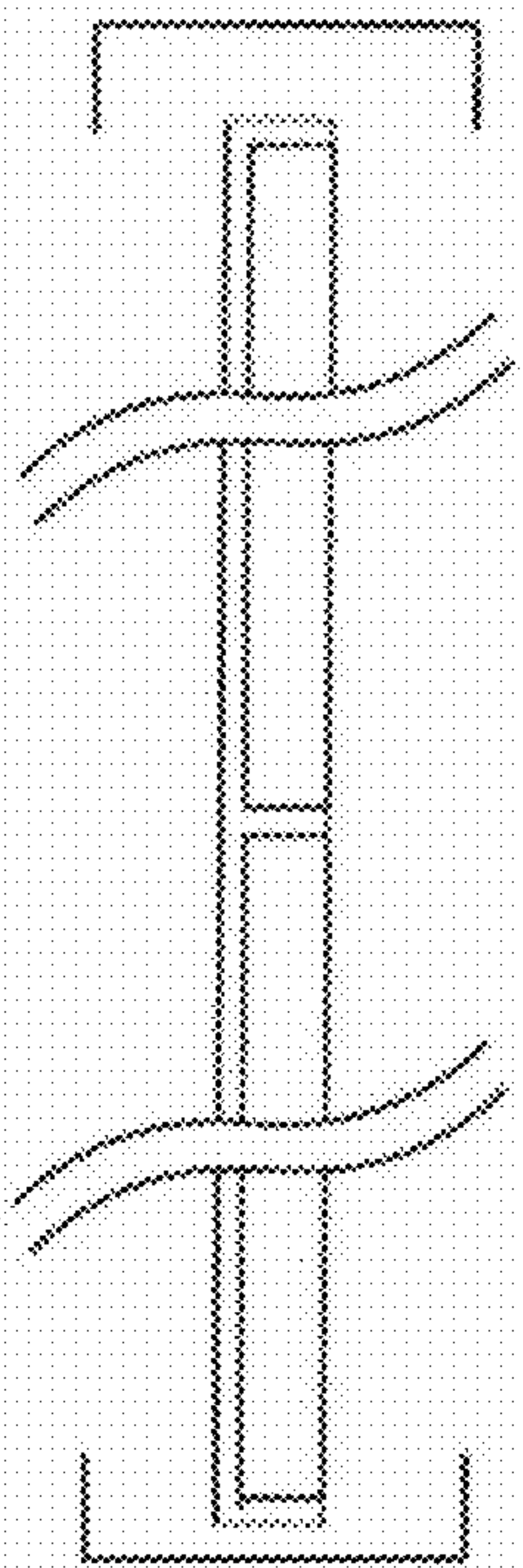


Figure 5

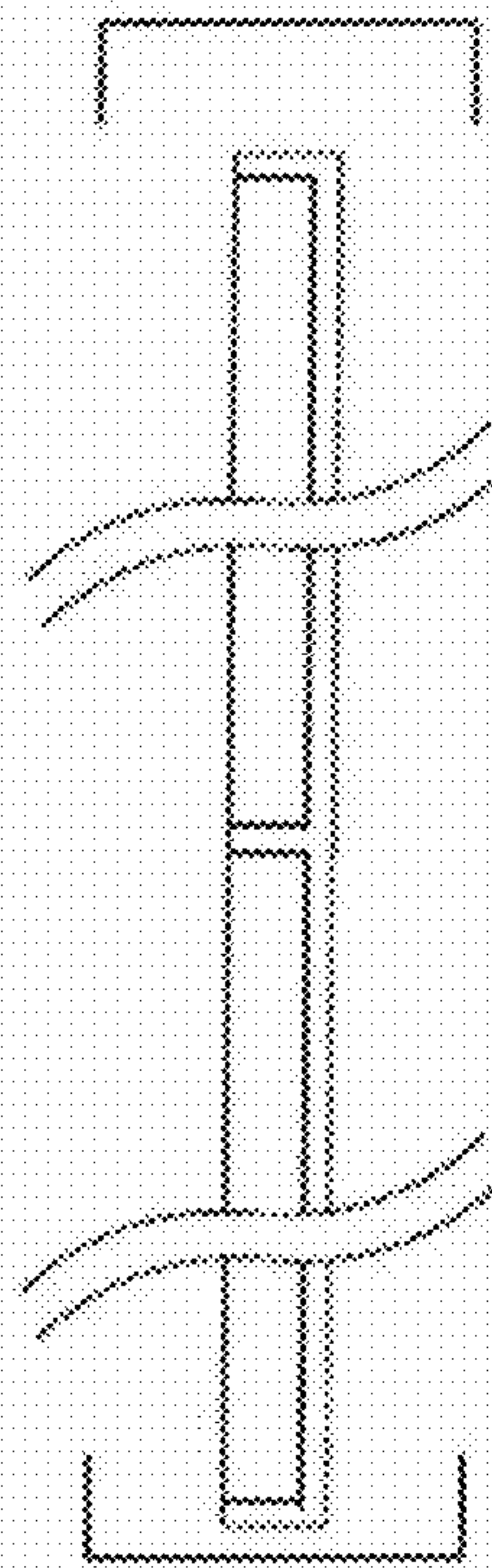


Figure 6

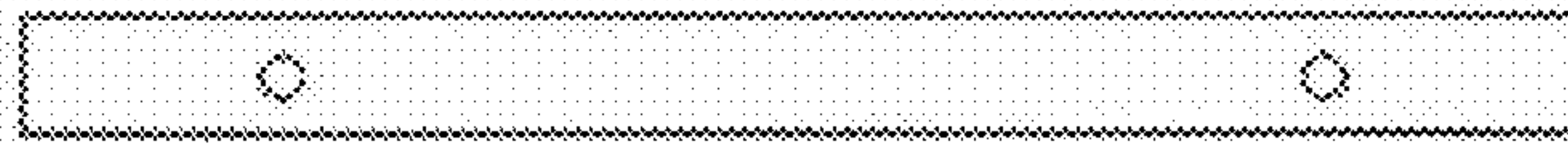


Figure 7

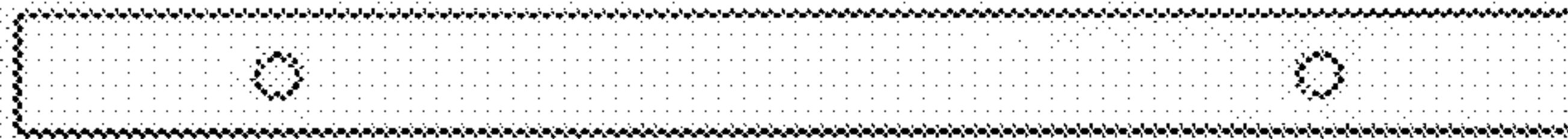


Figure 8

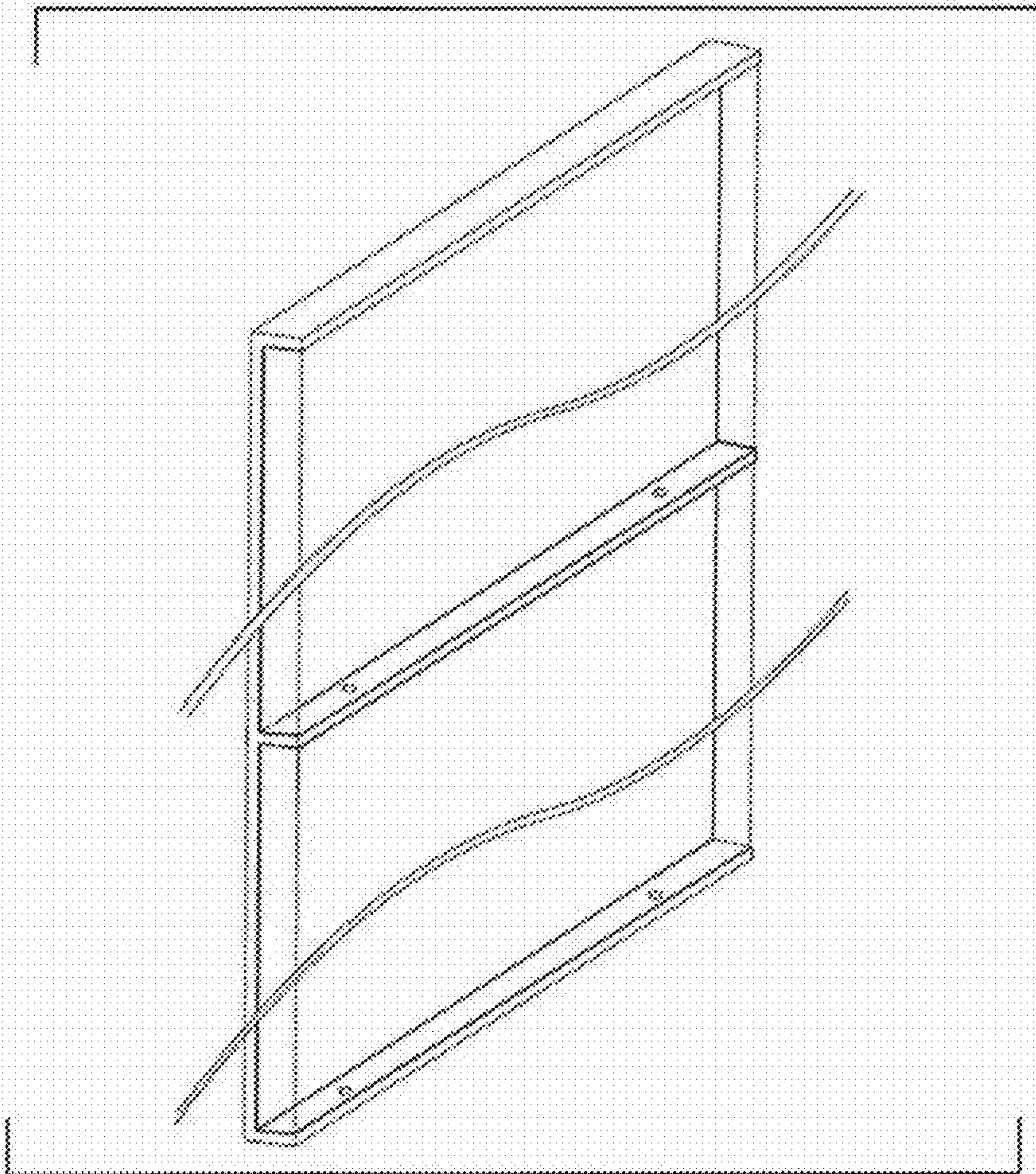


Figure 9