

US00D767677S

(12) **United States Design Patent** (10) **Patent No.:** **US D767,677 S**
Kim (45) **Date of Patent:** **** Sep. 27, 2016**

(54) **MULTI-FUNCTION PRINTER**

(71) Applicant: **Samsung Electronics Co., Ltd.**,
Suwon-si (KR)

(72) Inventor: **Min Chul Kim**, Seoul (KR)

(73) Assignee: **Samsung Electronics Co., Ltd.**,
Suwon-si (KR)

(**) Term: **15 Years**

(21) Appl. No.: **29/531,860**

(22) Filed: **Jun. 30, 2015**

(30) **Foreign Application Priority Data**

Dec. 31, 2014 (KR) 30-2014-0064474

(51) **LOC (10) Cl.** **18-02**

(52) **U.S. Cl.**
USPC **D18/56**

(58) **Field of Classification Search**

USPC D14/421, 422, 425, 432; D18/4.5, 4.6,
D18/14, 19, 36-41, 49, 50, 54, 54.1, 56, 99
CPC B41J 2/17; B41J 2/18; B41J 13/10;
B41J 29/00; B41J 29/02; B41J 29/18; B41J
11/00; G06F 3/12; G06Q 20/32; G06Q
20/40; G06Q 20/20; G06K 15/02; G03G
21/16; G03G 15/00

See application file for complete search history.

(56) **References Cited**

U.S. PATENT DOCUMENTS

D609,270 S * 2/2010 Kato D18/55
D613,791 S * 4/2010 Yoshioka D18/55

D614,693 S * 4/2010 Kato D18/50
D661,345 S * 6/2012 Asano D18/50
D662,130 S * 6/2012 Kitazawa D18/50
D676,483 S * 2/2013 Kim D18/50
D686,658 S * 7/2013 Matsuno D18/50
D699,725 S * 2/2014 Sato D14/421
D733,711 S * 7/2015 Nakagawa D14/421
D749,168 S * 2/2016 Nakagawa D18/50

* cited by examiner

Primary Examiner — Daniel Bui

Assistant Examiner — Shawn T Gingrich

(74) *Attorney, Agent, or Firm* — NSIP Law

(57) **CLAIM**

I claim the ornamental design for a multi-function printer, as shown and described.

DESCRIPTION

FIG. 1 is a front perspective view of a multi-function printer showing my new design;
FIG. 2 is a front view thereof;
FIG. 3 is a rear view thereof;
FIG. 4 is a left-side view thereof;
FIG. 5 is a right-side view thereof;
FIG. 6 is a top view thereof;
FIG. 7 is a bottom view thereof; and,
FIG. 8 is another front perspective view of the multi-function printer in an environment of use.
The broken lines illustrating portions of the multi-function printer are for environmental purposes only and form no part of the claimed design.

1 Claim, 7 Drawing Sheets

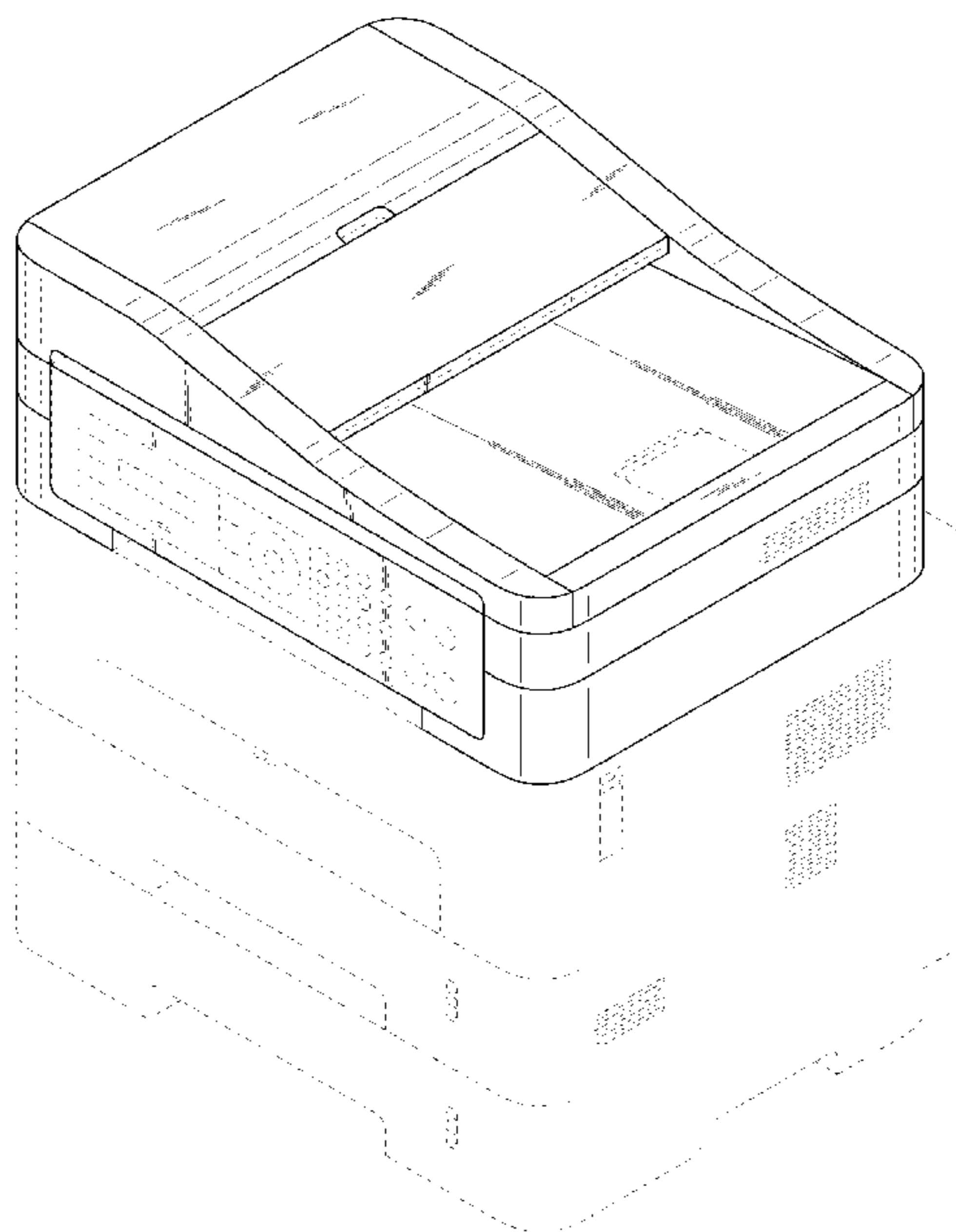


FIG. 1

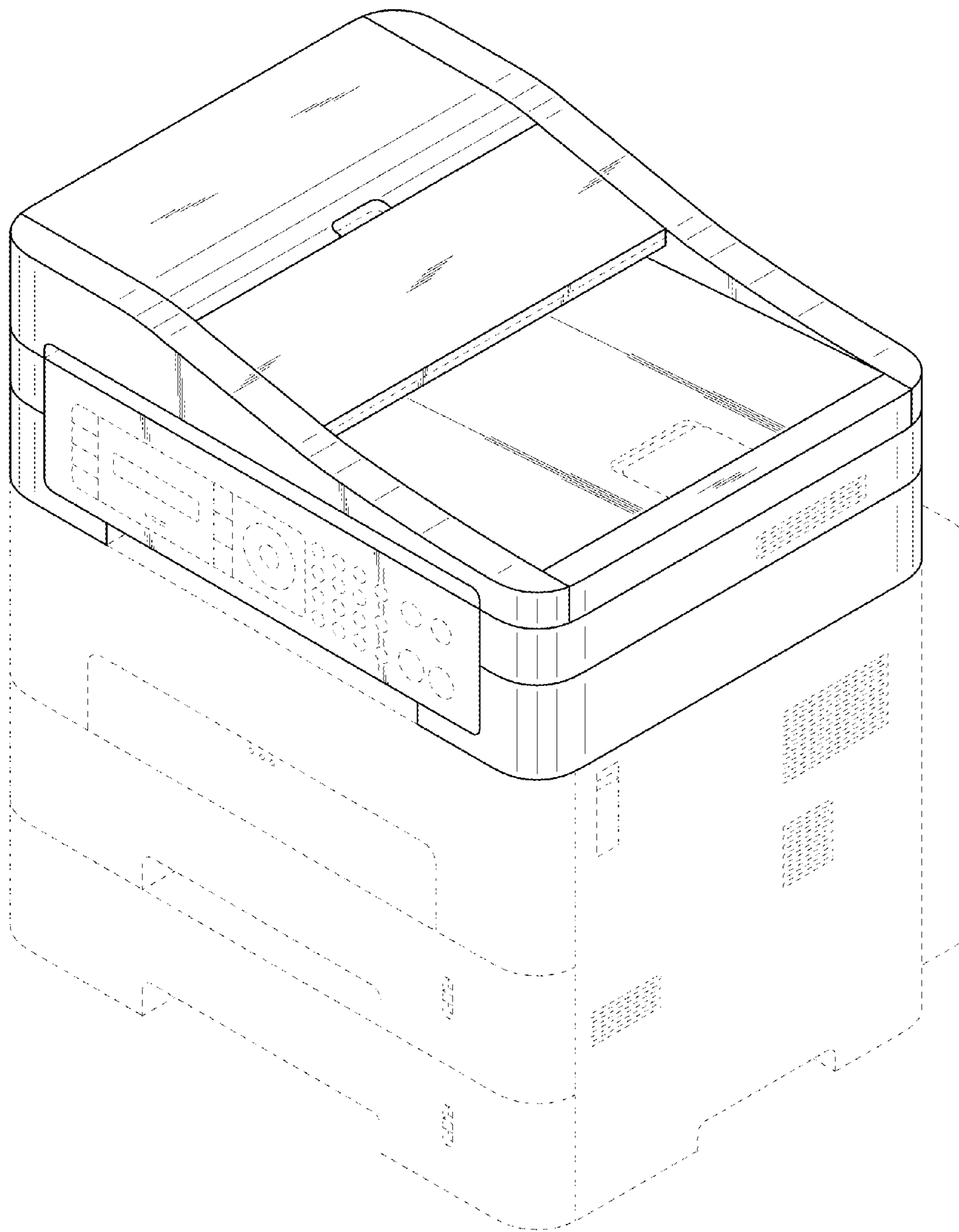


FIG.2

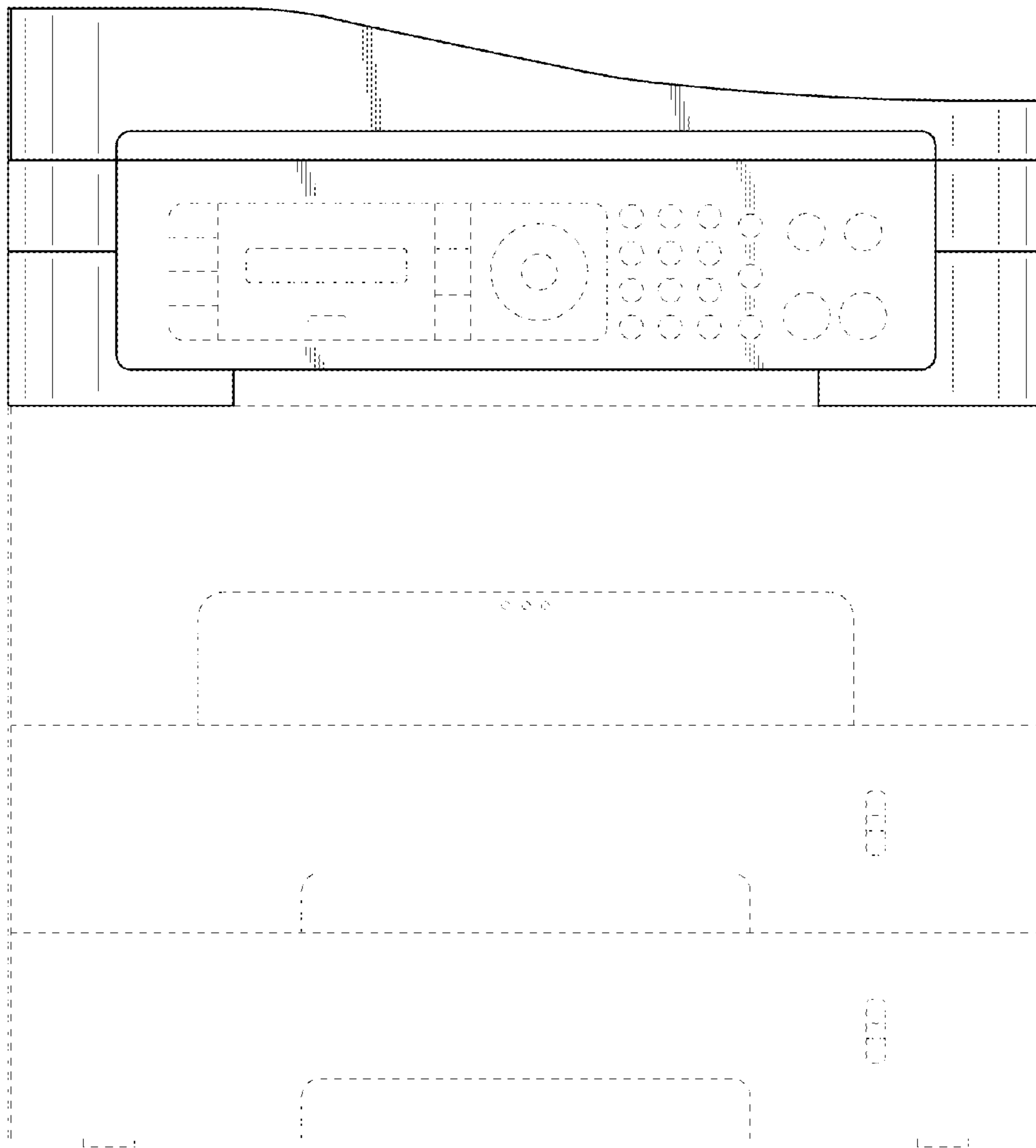


FIG.3

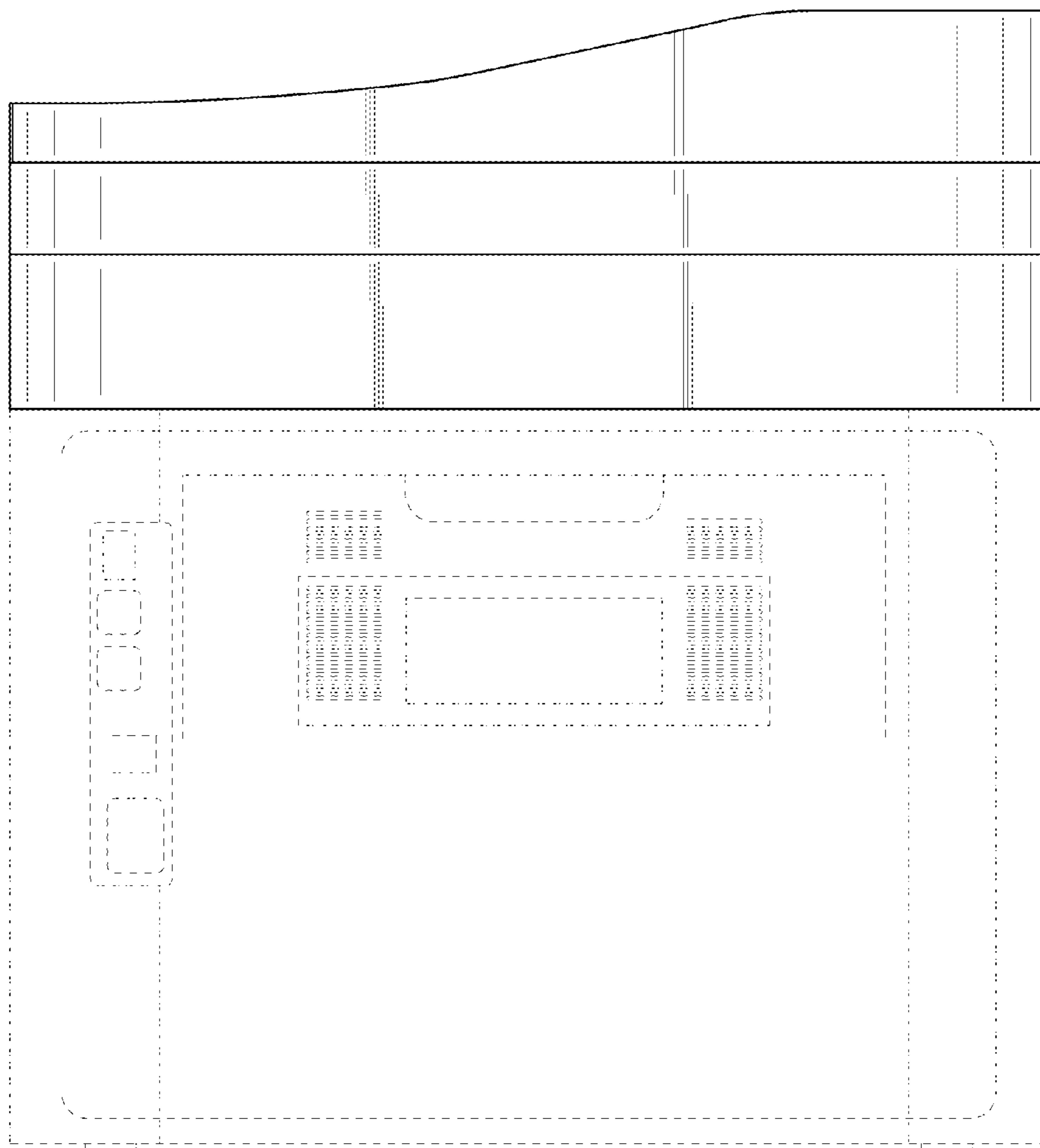


FIG.4

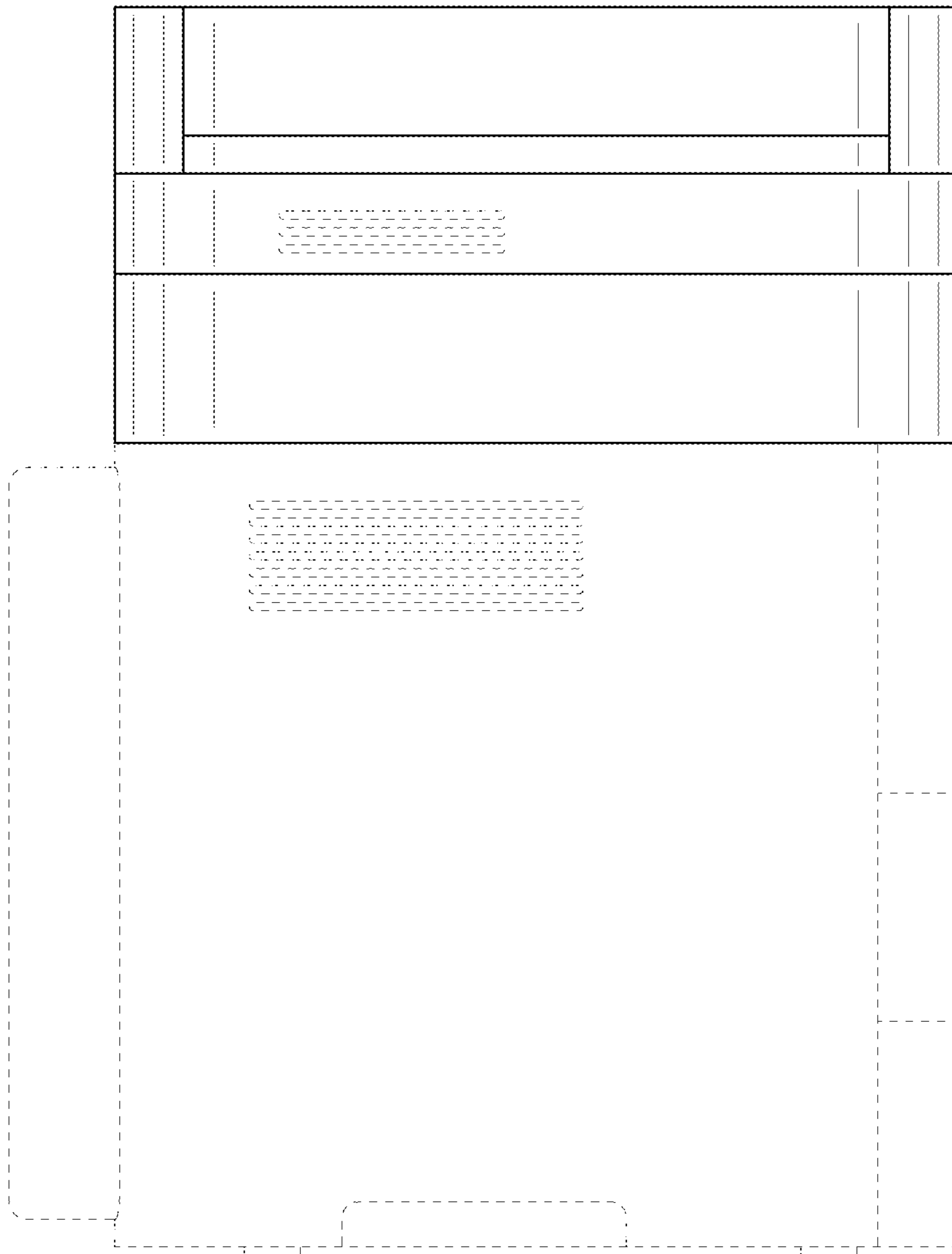


FIG.5

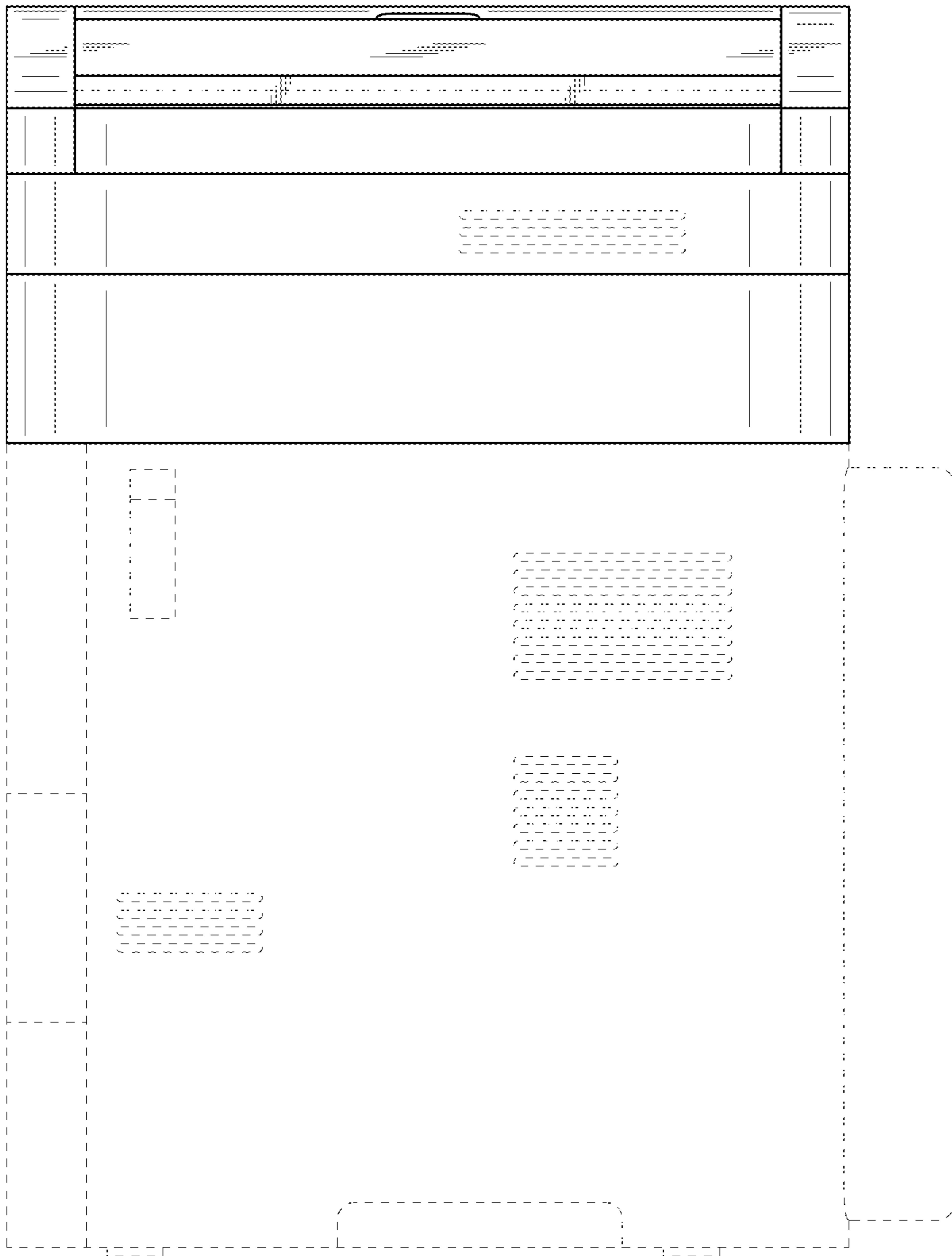


FIG.6

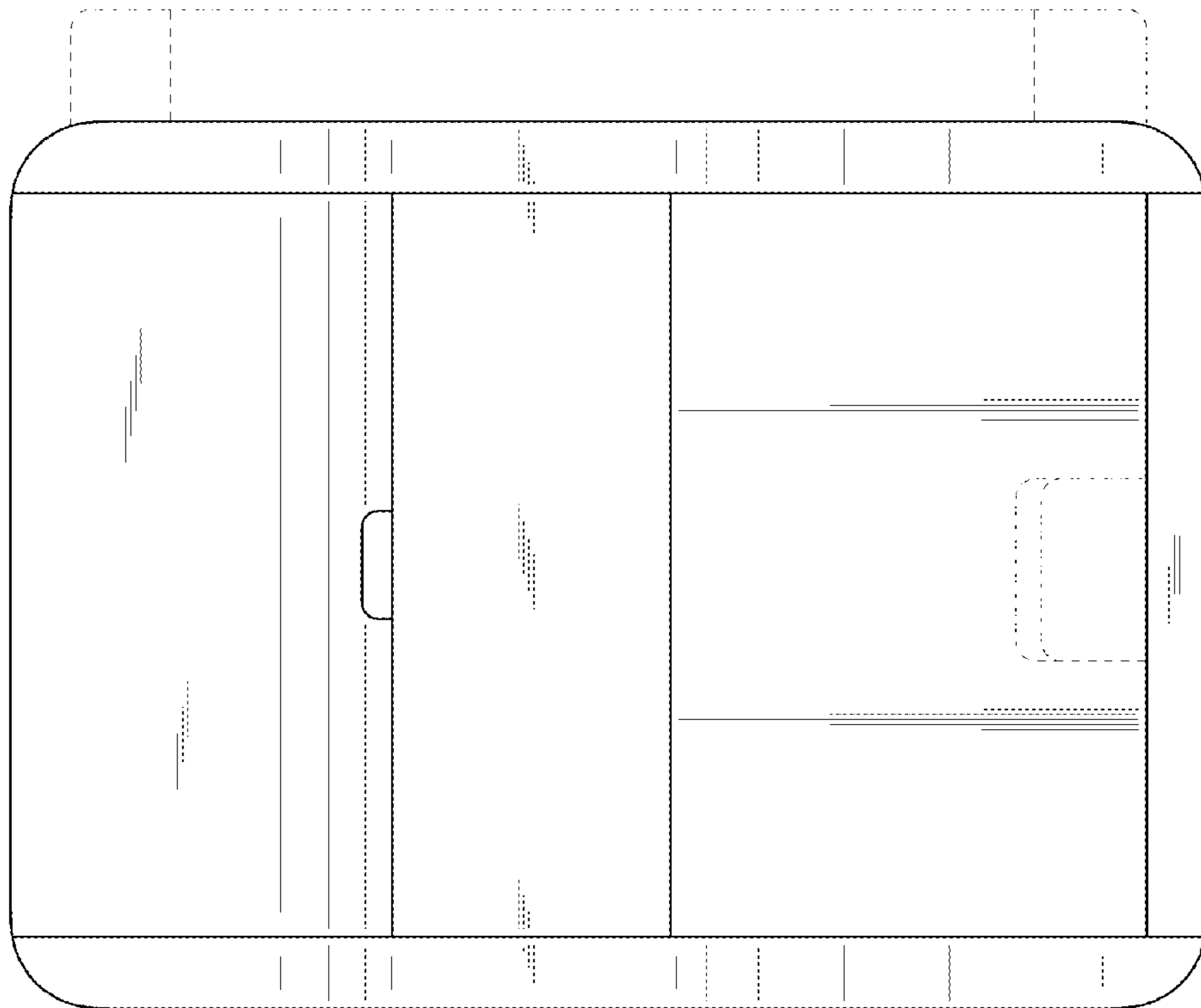


FIG.7

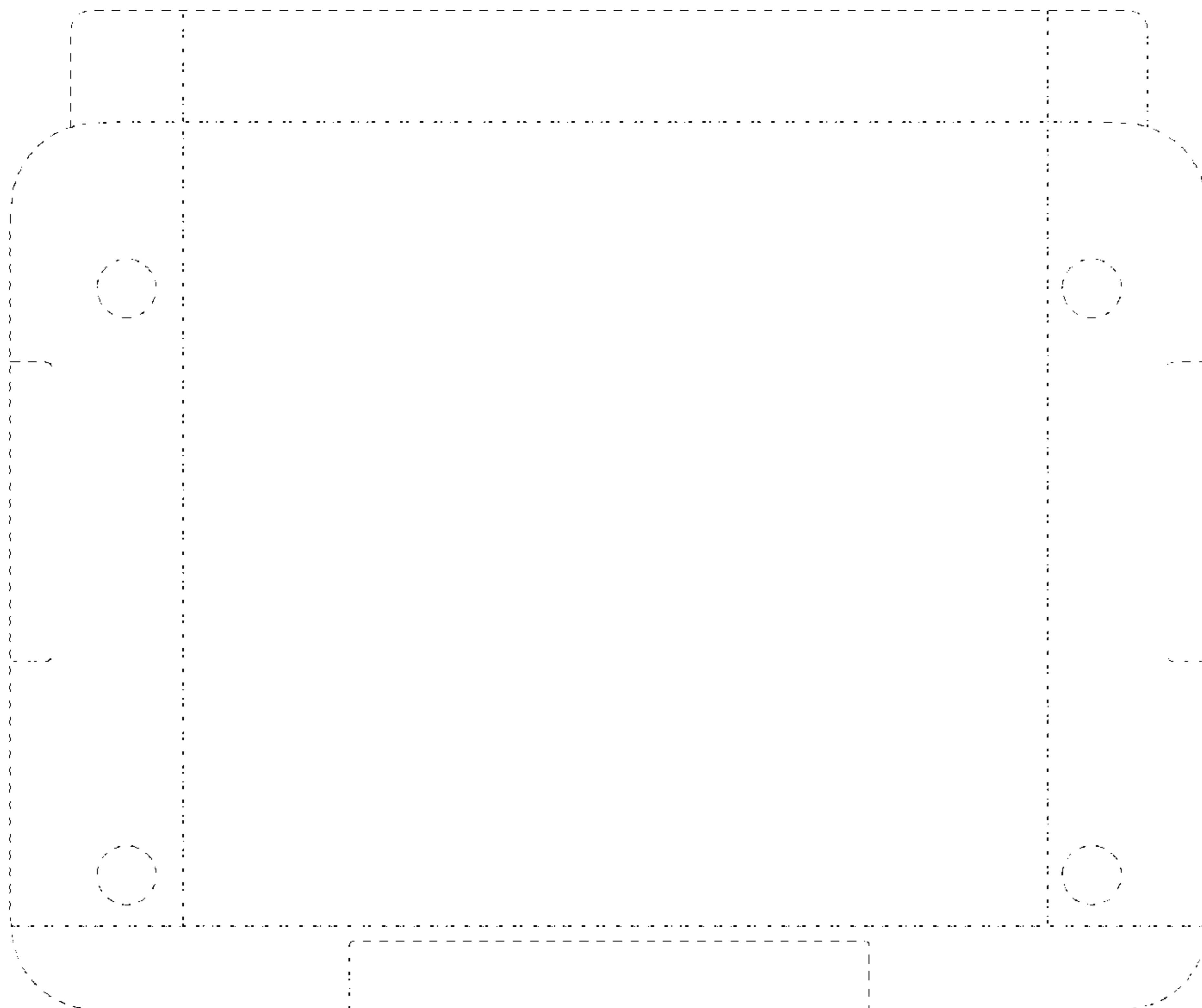


FIG.8

