

US00D767676S

(12) **United States Design Patent** (10) **Patent No.:** **US D767,676 S**
So (45) **Date of Patent:** **** Sep. 27, 2016**

(54) **MULTI-FUNCTION PRINTER**

(71) Applicant: **Samsung Electronics Co., Ltd.**,
Suwon-si (KR)

(72) Inventor: **Kwang Hyuck So**, Seoul (KR)

(73) Assignee: **Samsung Electronics Co., Ltd.**,
Suwon-si (KR)

(**) Term: **15 Years**

(21) Appl. No.: **29/531,846**

(22) Filed: **Jun. 30, 2015**

(30) **Foreign Application Priority Data**

Dec. 31, 2014 (KR) 30-2014-0064484

(51) **LOC (10) Cl.** **18-02**

(52) **U.S. Cl.**
USPC **D18/56**

(58) **Field of Classification Search**

USPC D14/421, 422, 425, 432; D18/4.5, 4.6,
D18/14, 19, 36-41, 49, 50, 54, 54.1, 56, 99
CPC B41J 2/17; B41J 2/18; B41J 13/10;
B41J 29/00; B41J 29/02; B41J 29/18; B41J
11/00; G06F 3/00; G06F 3/12; G06Q 20/32;
G06Q 20/40; G06Q 20/20; G06K 15/02;
G03G 21/16; G03G 15/00

See application file for complete search history.

(56) **References Cited**

U.S. PATENT DOCUMENTS

D446,806 S * 8/2001 Imai D18/36
D609,270 S * 2/2010 Kato D18/55

D698,389 S * 1/2014 Fukasawa D18/55
D724,140 S * 3/2015 Nishimura D18/50
D742,960 S * 11/2015 Lee D18/50
D755,284 S * 5/2016 Terenzio D18/50

OTHER PUBLICATIONS

Samsung SL-M2885FW/XAA, dated Apr. 13, 2014, [online], [site visited May 13, 2016]. Available from Internet, <URL: <http://www.amazon.com/dp/B00IQBT3VW>>.*

HP Photosmart Premium Fax All-in-One, dated May 8, 2009, [online], [site visited May 13, 2016]. Available from Internet, <URL: <http://www.pcmag.com/article2/0,2817,2346781,00.asp>>.*

* cited by examiner

Primary Examiner — Daniel Bui

Assistant Examiner — Shawn T Gingrich

(74) *Attorney, Agent, or Firm* — NSIP Law

(57) **CLAIM**

I claim the ornamental design for a multi-function printer, as shown and described.

DESCRIPTION

FIG. 1 is a front perspective view of a multi-function printer showing my new design;

FIG. 2 is a front view thereof;

FIG. 3 is a rear view thereof;

FIG. 4 is a left-side view thereof;

FIG. 5 is a right-side view thereof;

FIG. 6 is a top view thereof; and,

FIG. 7 is a bottom view thereof.

The broken lines illustrating portions of the multi-function printer are for environmental purposes only and form no part of the claimed design.

1 Claim, 4 Drawing Sheets

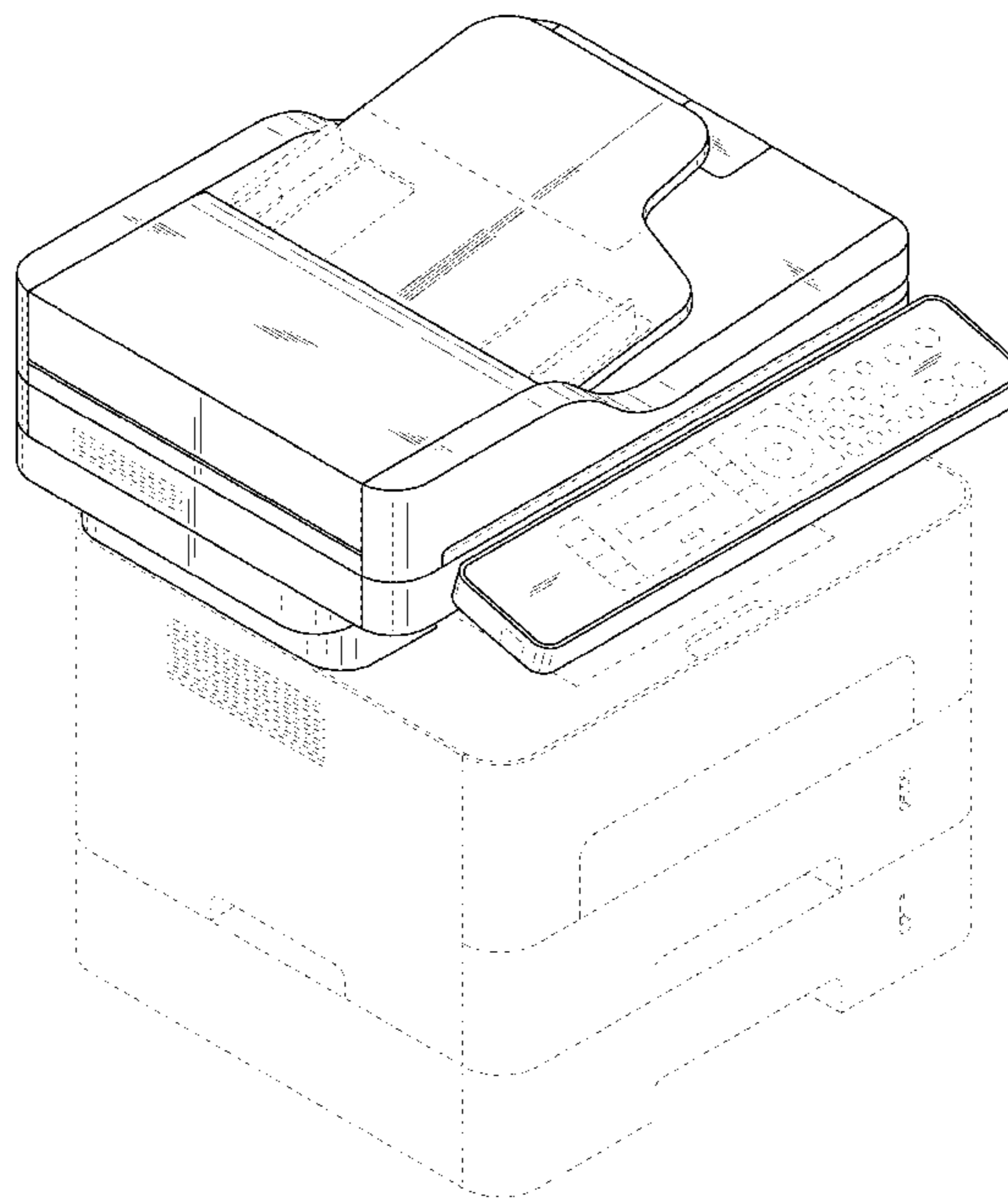


FIG. 1

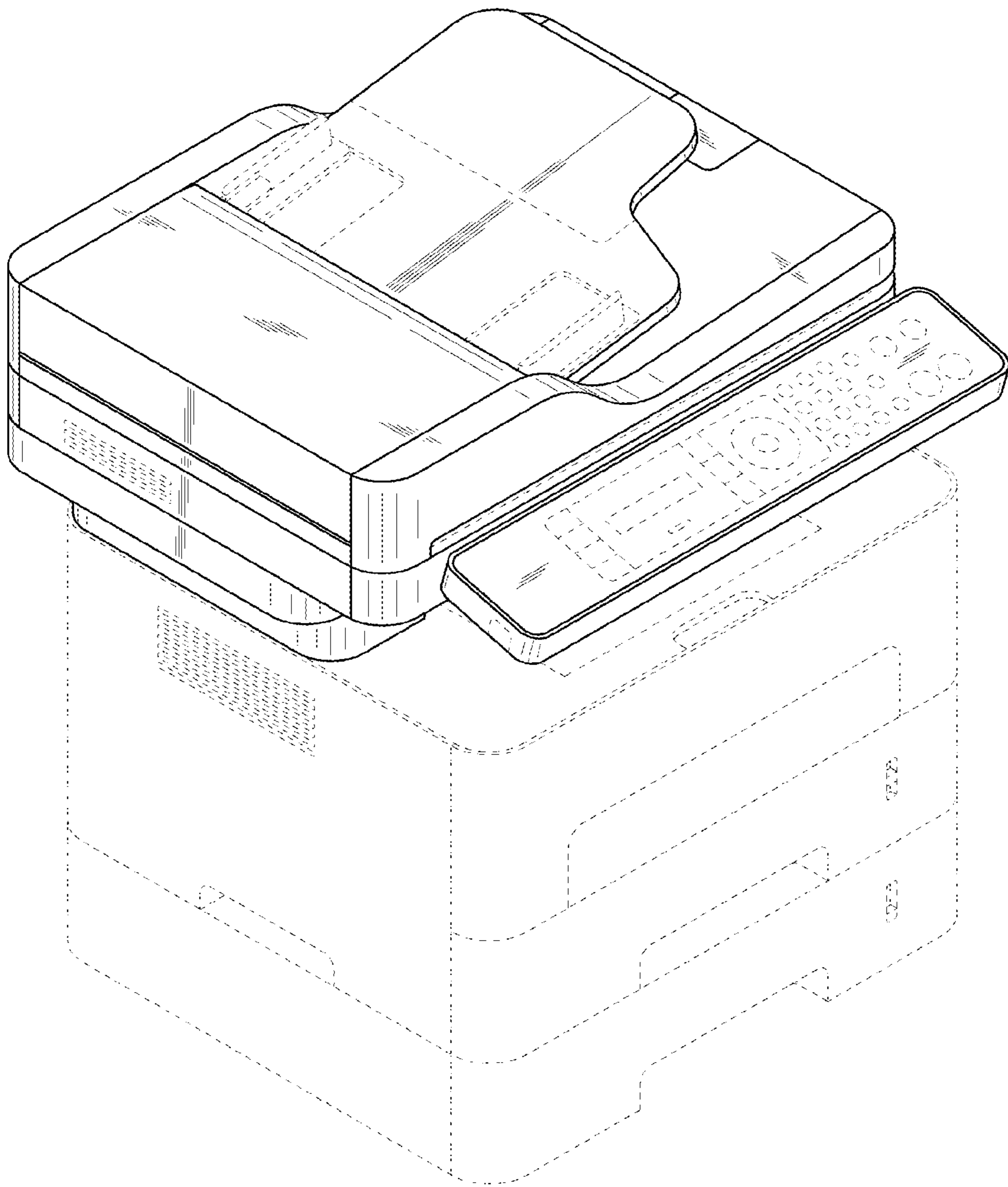


FIG. 2

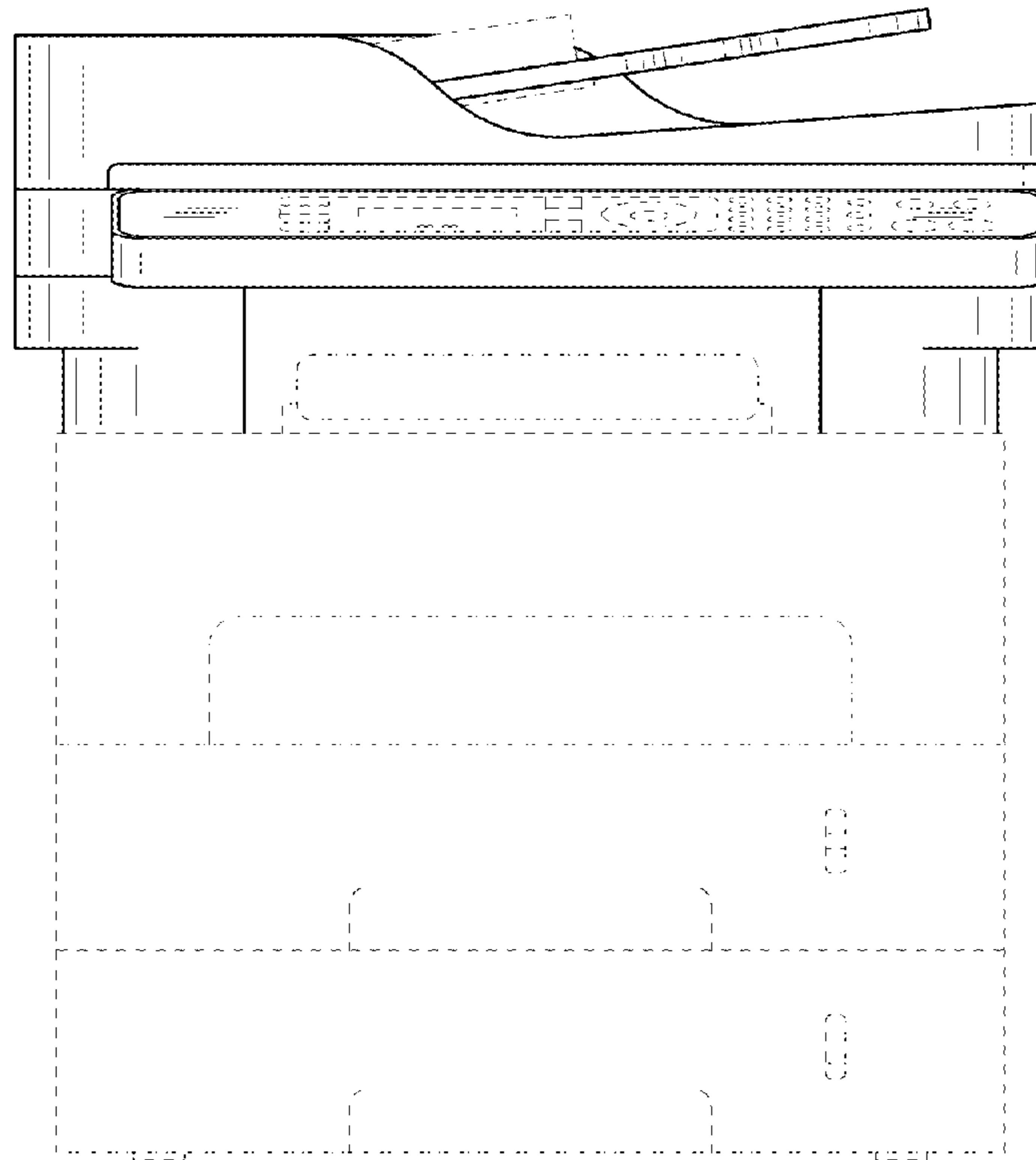


FIG. 3

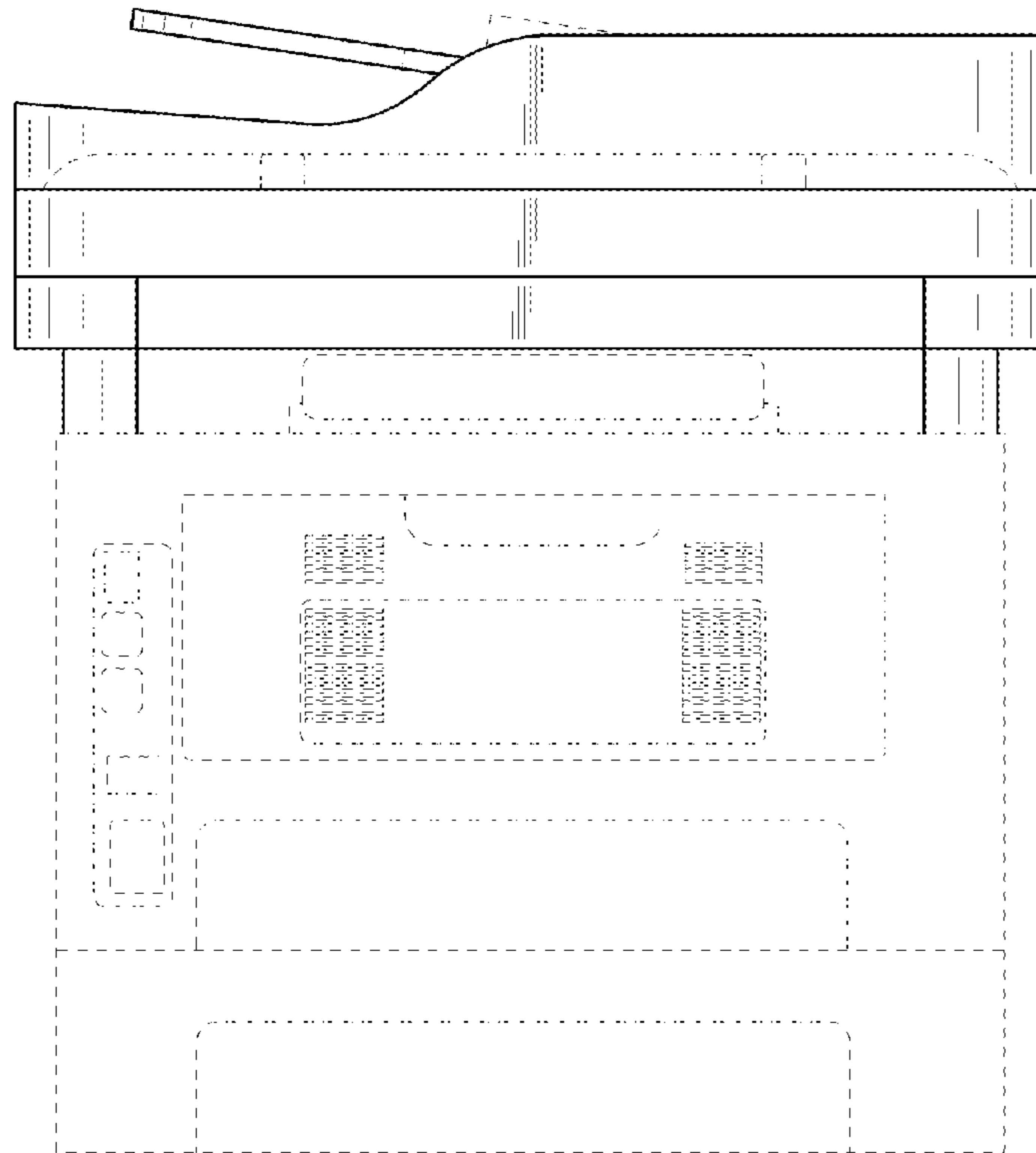


FIG. 4

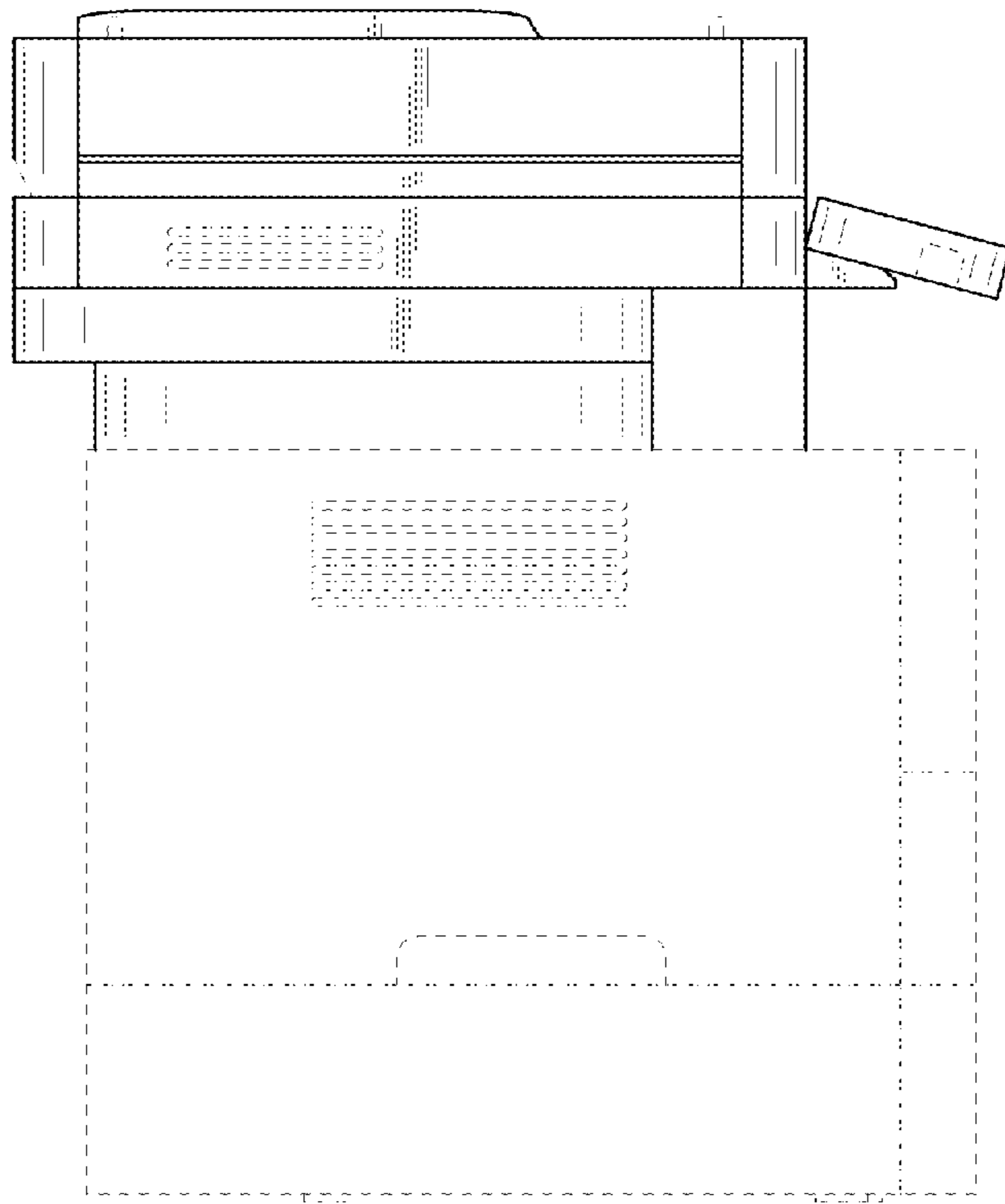


FIG. 5

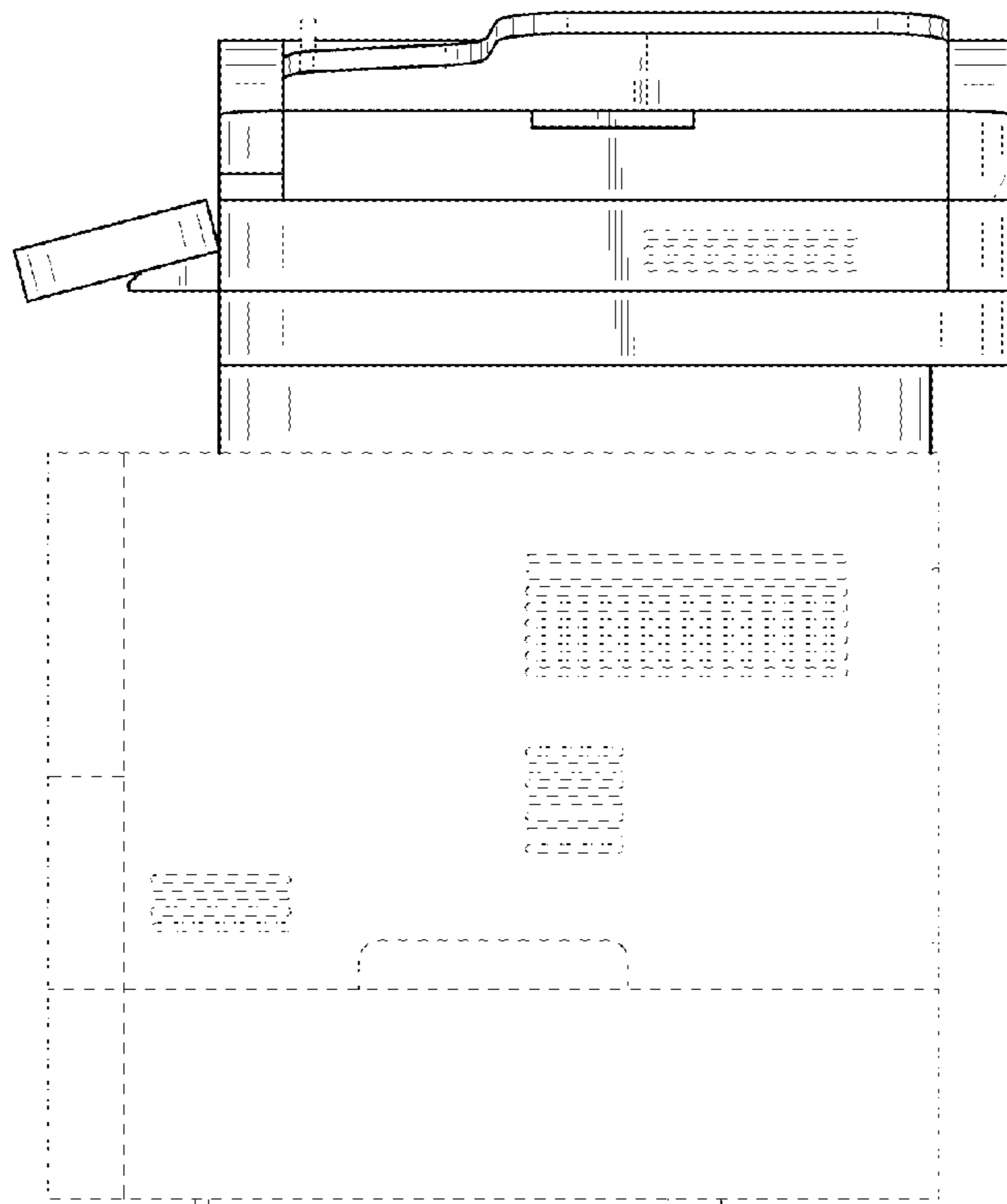


FIG. 6

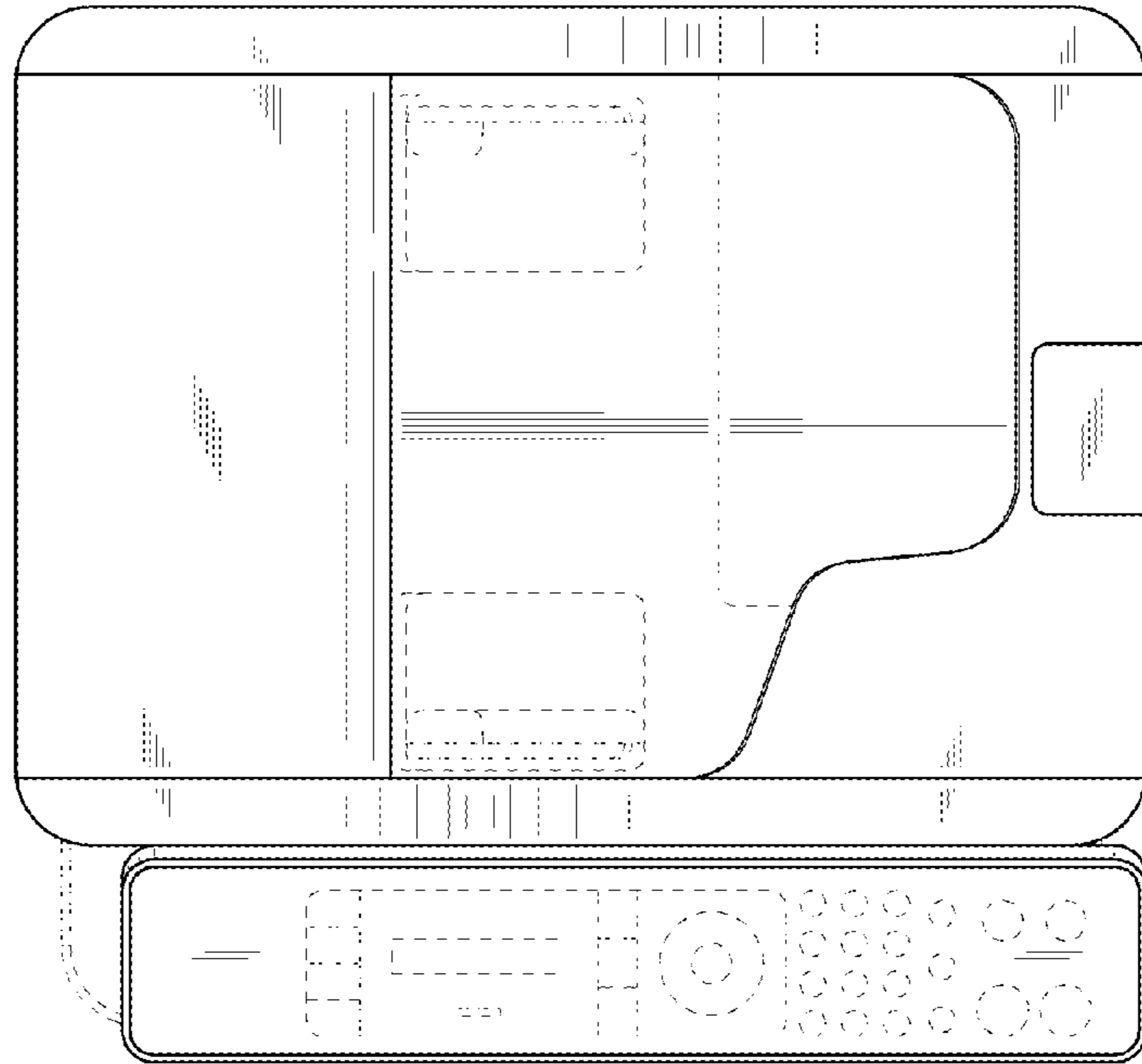


FIG. 7

