



US00D767674S

(12) **United States Design Patent** (10) **Patent No.:** **US D767,674 S**  
**Nanjo et al.** (45) **Date of Patent:** **\*\* Sep. 27, 2016**

(54) **INK TANK FOR PRINTER**

- (71) Applicant: **Canon Kabushiki Kaisha**, Ohta-ku, Tokyo (JP)
- (72) Inventors: **Tatsuo Nanjo**, Kawasaki (JP); **Yasuo Kotaki**, Yokohama (JP); **Kenta Udagawa**, Tokyo (JP); **Hiroshi Koshikawa**, Yokohama (JP); **Wataru Takahashi**, Yokohama (JP); **Koichi Kubo**, Yokohama (JP); **Shigeki Fukui**, Kawasaki (JP); **Naozumi Nabeshima**, Tokyo (JP); **Soji Kondo**, Yokohama (JP); **Masafumi Seki**, Kawasaki (JP); **Kazuya Yoshii**, Yokohama (JP); **Yasunori Senshiki**, Tachikawa (JP)
- (73) Assignee: **CANON KABUSHIKI KAISHA**, Tokyo (JP)

- (\*\*) Term: **14 Years**
- (21) Appl. No.: **29/504,239**
- (22) Filed: **Oct. 3, 2014**

- (30) **Foreign Application Priority Data**
- Apr. 4, 2014 (JP) ..... 2014-007417
- (51) **LOC (10) Cl.** ..... **18-02**
- (52) **U.S. Cl.**
- USPC ..... **D18/56**
- (58) **Field of Classification Search**
- USPC ..... D18/12, 18, 34.9, 40, 43, 50, 56, 59, D18/99; D14/471, 483
- CPC ..... B41J 2/17; B41J 2/1721; B41J 2/175; B41J 2/17503; B41J 2/17513; B41J 2/1752; B41J 2/17523; B41J 2/17553; B41J 2/17556; B41J 2/185; B41J 29/377
- See application file for complete search history.

(56) **References Cited**

U.S. PATENT DOCUMENTS

D466,925 S *	12/2002	Ishizawa .....	347/86
D538,338 S *	3/2007	Matsumoto .....	347/86
D540,377 S	4/2007	Hatasa et al. ....	D18/56
D586,850 S *	2/2009	Matsumoto .....	347/86
D611,531 S	3/2010	Hatasa et al. ....	D18/56

(Continued)

OTHER PUBLICATIONS

U.S. Appl. No. 29/504,237, Oct. 3, 2014.

(Continued)

*Primary Examiner* — Thomas Johannes  
*Assistant Examiner* — Shawn T Gingrich

(74) *Attorney, Agent, or Firm* — Fitzpatrick, Cella, Harper & Scinto

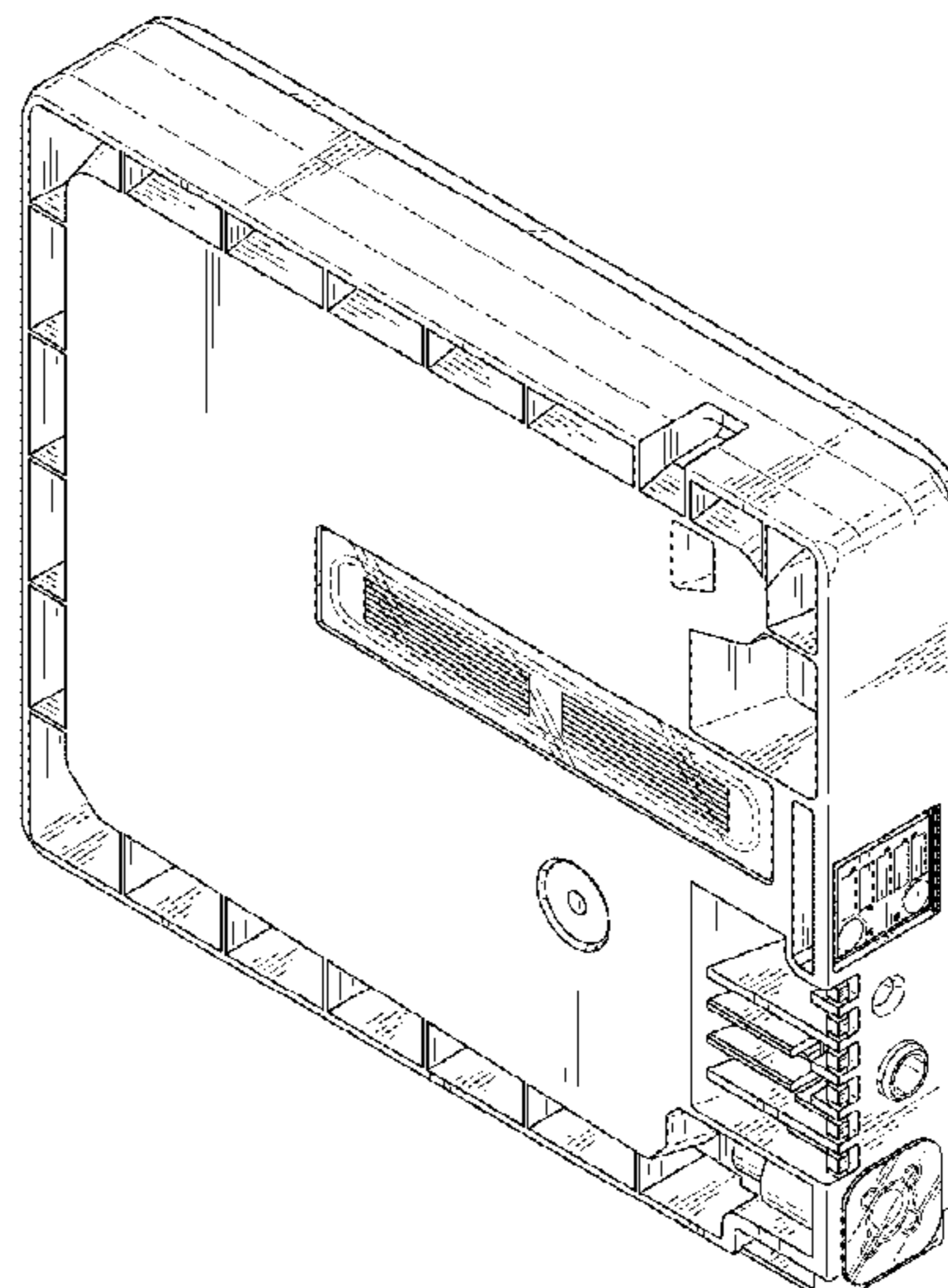
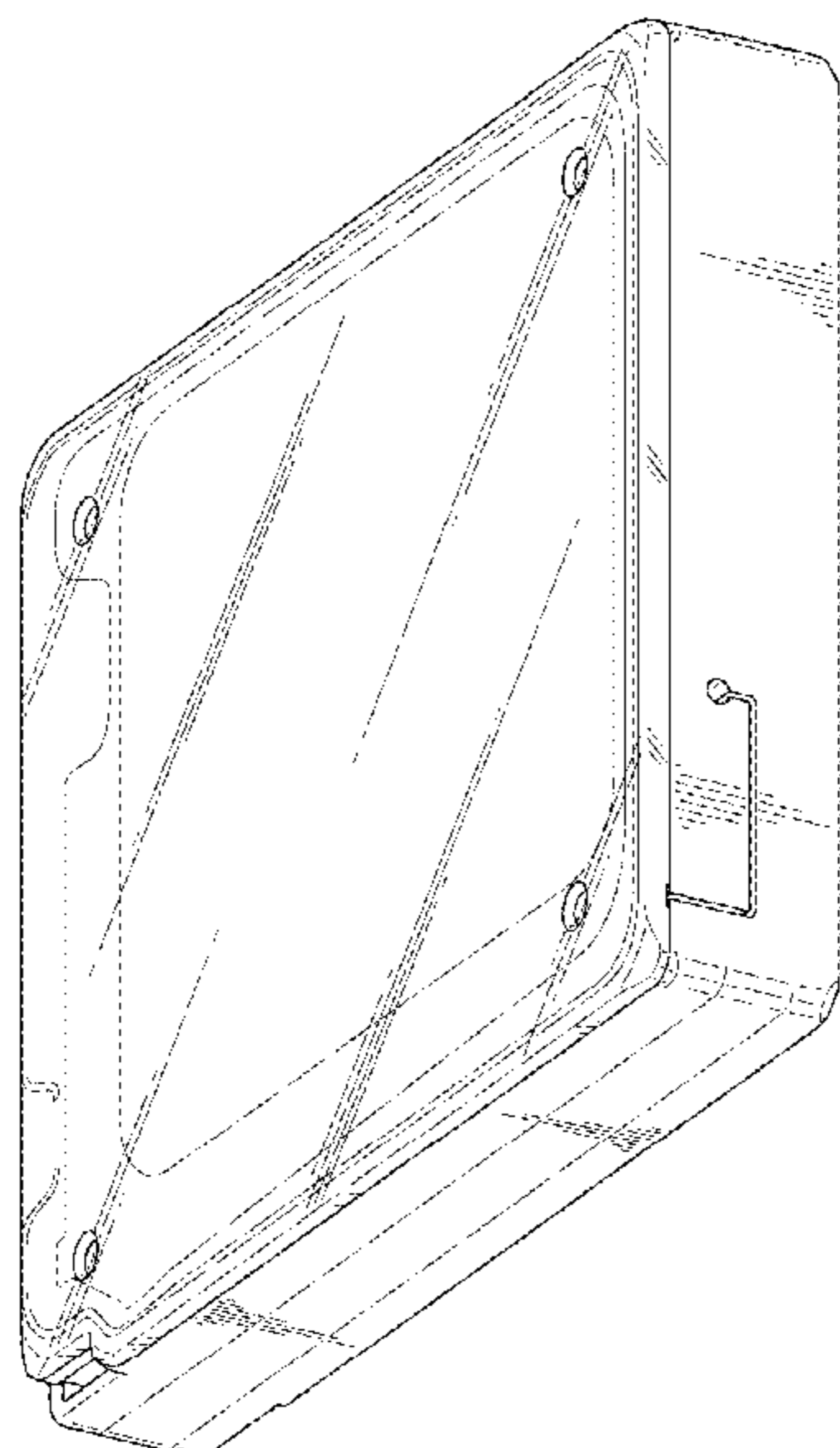
(57) **CLAIM**

The ornamental design for an ink tank for printer, as shown and described.

**DESCRIPTION**

FIG. 1 is a front view of an ink tank for printer showing our new design;  
 FIG. 2 is a rear view thereof;  
 FIG. 3 is a top plan view thereof;  
 FIG. 4 is a bottom plan view thereof;  
 FIG. 5 is a left side view thereof;  
 FIG. 6 is a right side view thereof;  
 FIG. 7 is a rear, bottom and right side perspective view thereof; and,  
 FIG. 8 is a front, top and left side perspective view thereof. The broken lines depict environmental subject matter only and form no part of the claimed design.

**1 Claim, 6 Drawing Sheets**



(56)

**References Cited**

U.S. PATENT DOCUMENTS

D611,532 S 3/2010 Nanjo et al. .... D18/56  
 D624,960 S 10/2010 Inoue et al. .... D18/56  
 D626,173 S 10/2010 Inoue et al. .... D18/56  
 D656,183 S 3/2012 Nanjo et al. .... D18/56  
 D656,185 S \* 3/2012 Oya ..... D18/56  
 8,147,046 B2 \* 4/2012 Yamashita ..... B41J 2/17506  
 347/86  
 D674,436 S 1/2013 Takada et al. .... D18/56  
 D680,582 S \* 4/2013 Harvey ..... D18/56  
 D682,930 S \* 5/2013 Aoki ..... D18/56  
 D682,931 S \* 5/2013 Aoki ..... D18/56  
 D696,718 S 12/2013 Murakami et al. .... D18/56  
 D696,719 S 12/2013 Murakami et al. .... D18/56  
 D696,720 S 12/2013 Hayashi et al. .... D18/56

D696,721 S 12/2013 Kitagawa et al. .... D18/59  
 D699,284 S 2/2014 Nanjo et al. .... D18/56  
 D712,466 S \* 9/2014 Nagashima ..... D18/56  
 2005/0036015 A1 \* 2/2005 Seino ..... B41J 2/17553  
 347/86  
 2014/0071211 A1 \* 3/2014 Kawajiri ..... B41J 2/17546  
 347/86  
 2015/0321483 A1 \* 11/2015 Yoshii ..... B41J 2/1752  
 347/86  
 2015/0375512 A1 \* 12/2015 Kondo ..... B41J 2/1752  
 347/86

OTHER PUBLICATIONS

U.S. Appl. No. 29/504,245, Oct. 3, 2014.  
 U.S. Appl. No. 29/504,234, Oct. 3, 2014.

\* cited by examiner

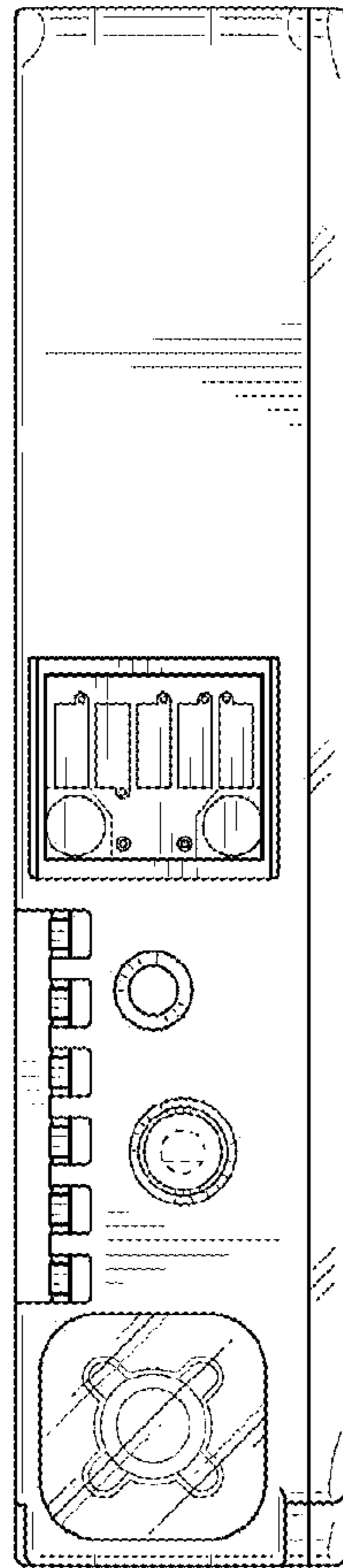


FIG. 1

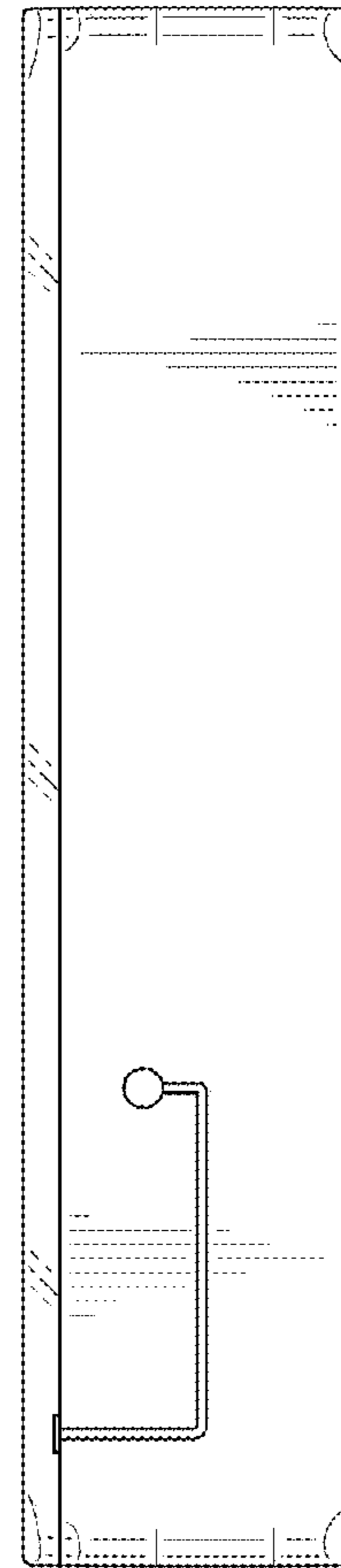


FIG. 2

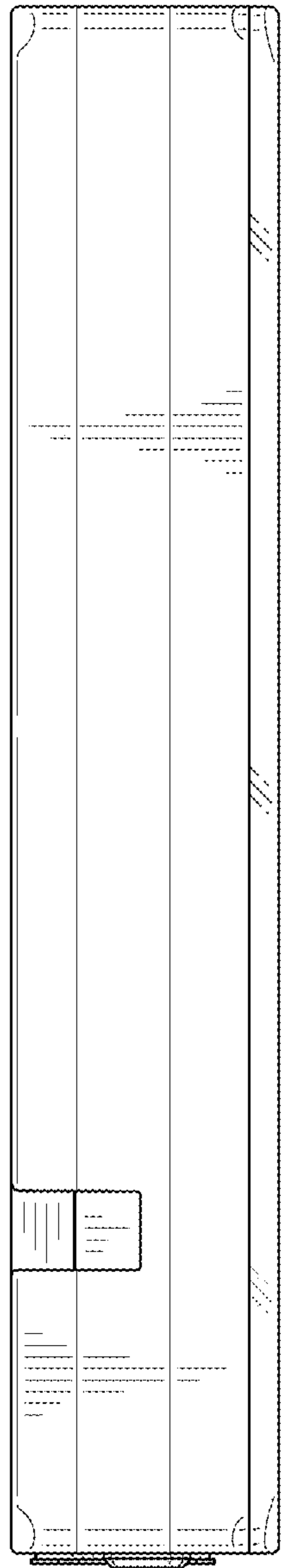


FIG. 3

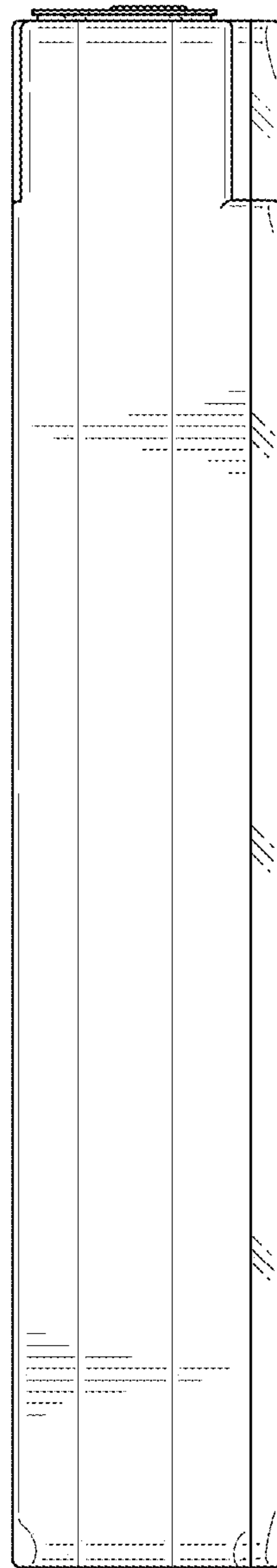


FIG. 4

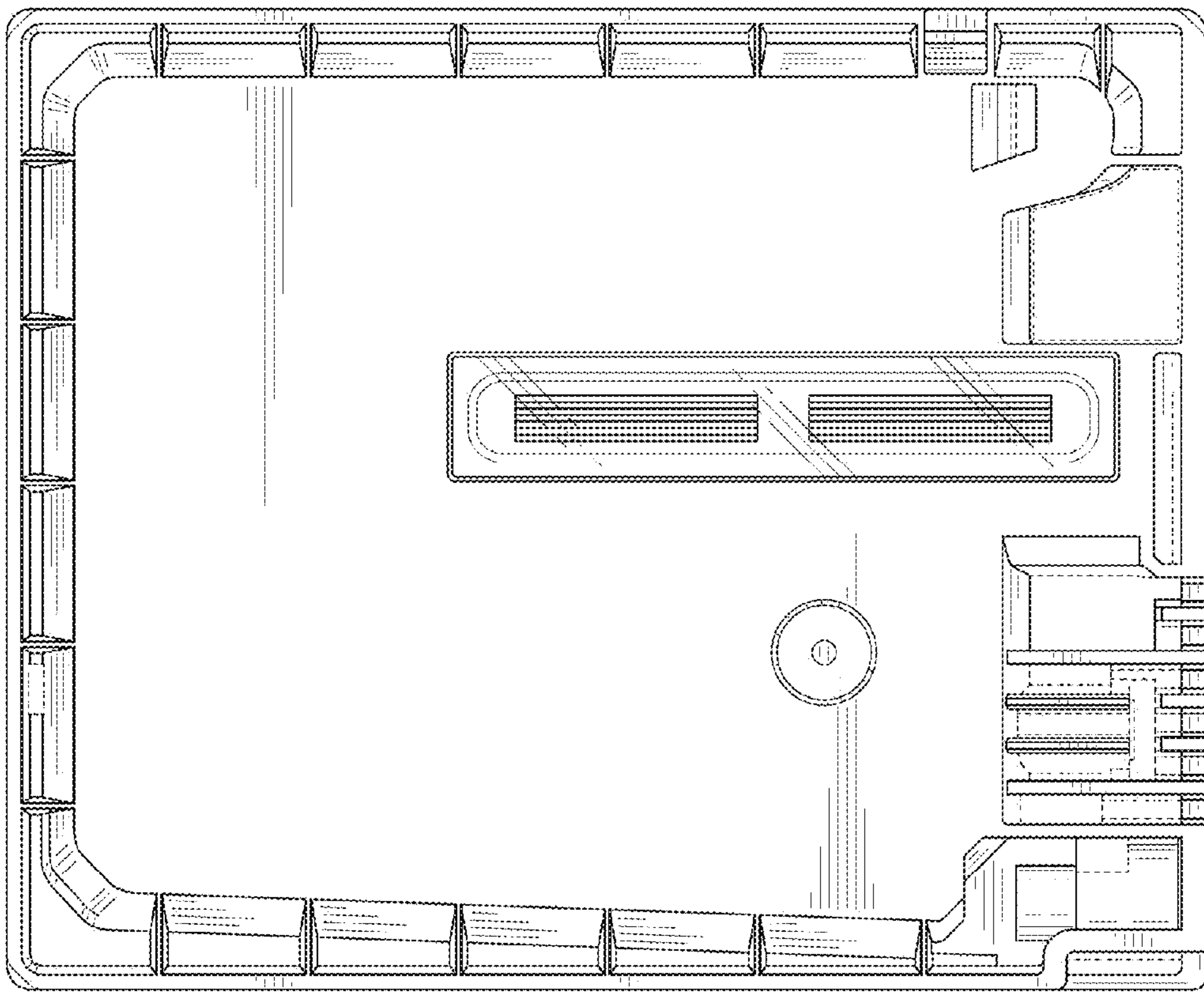


FIG. 5

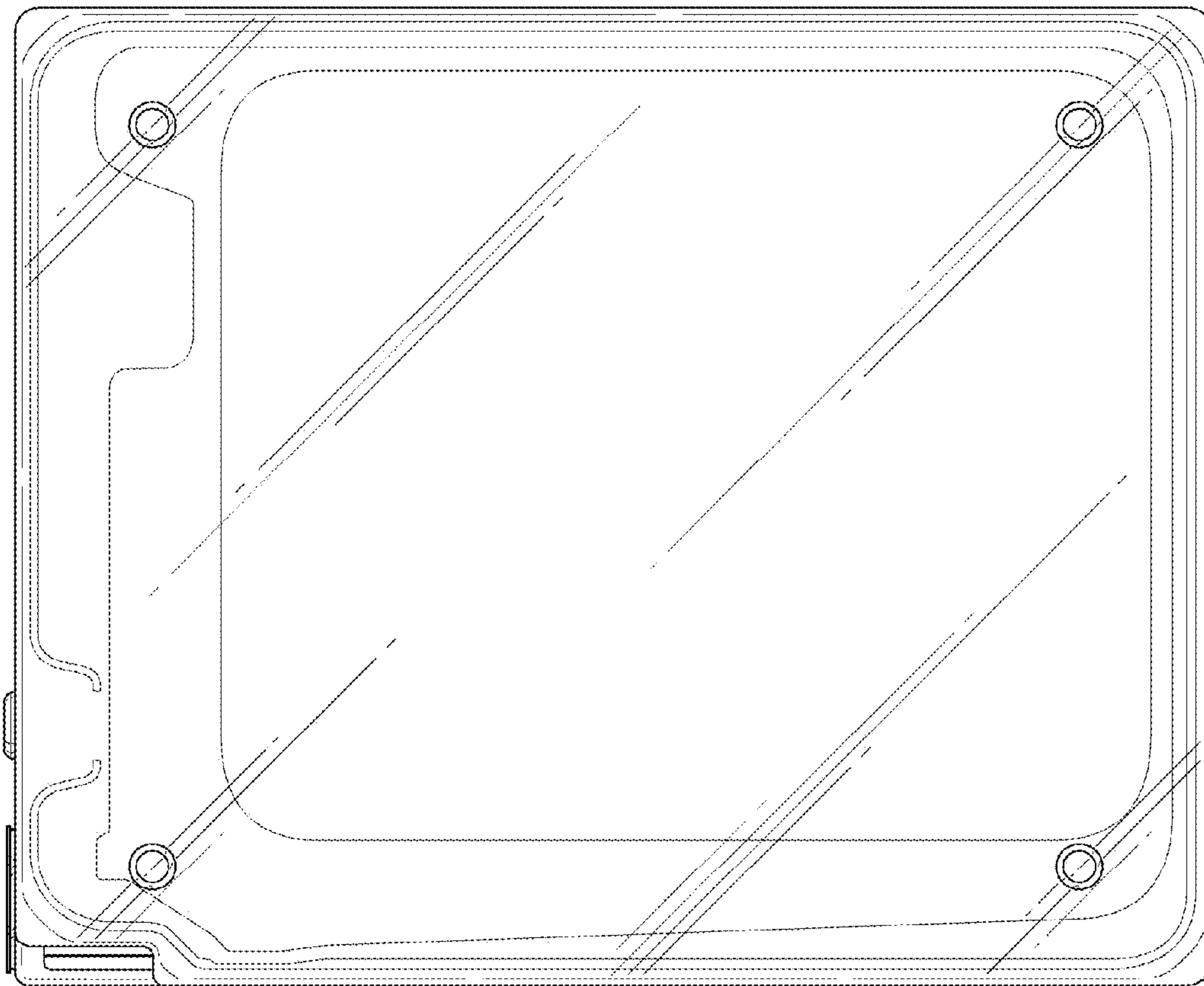


FIG. 6

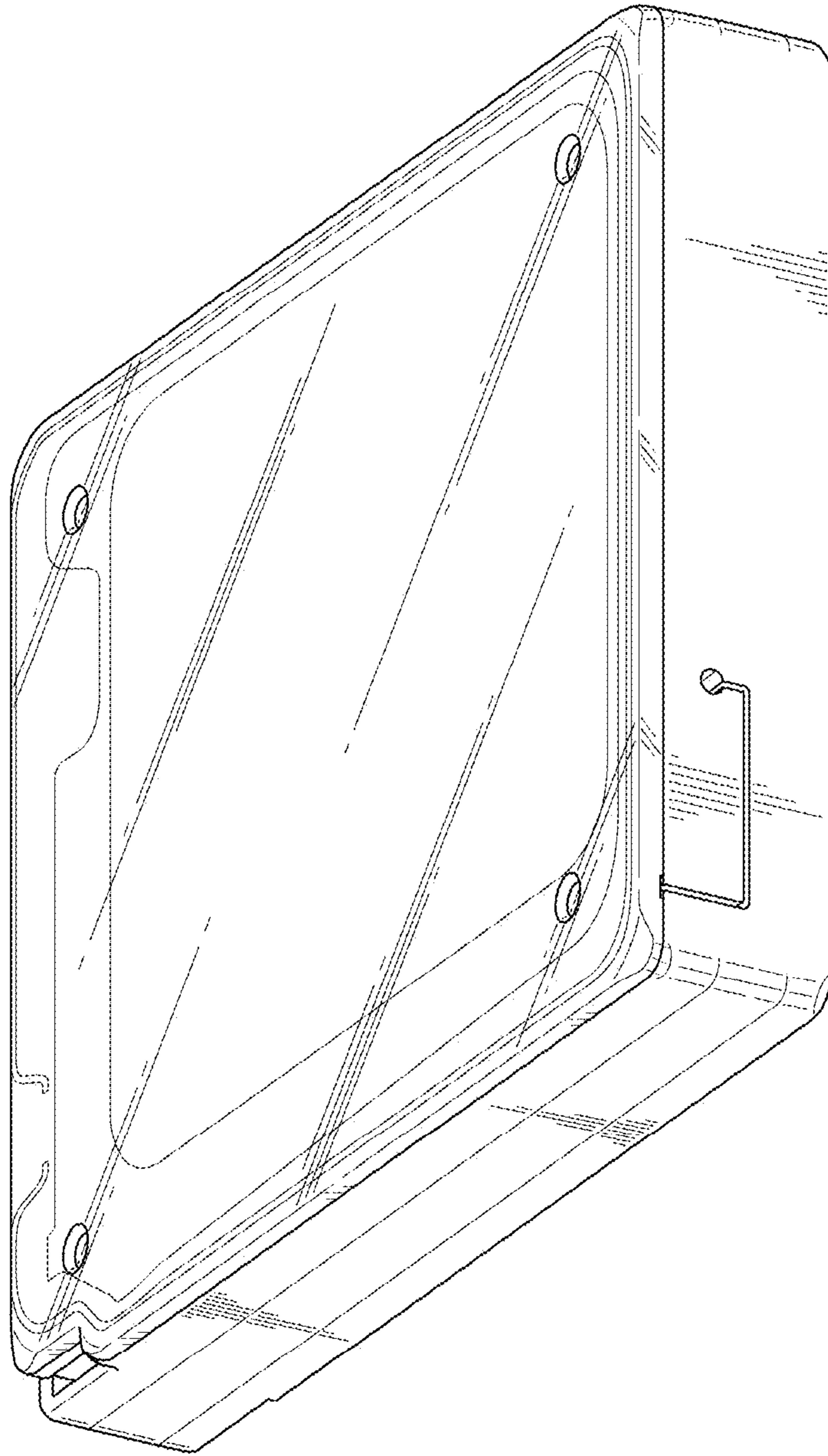


FIG. 7

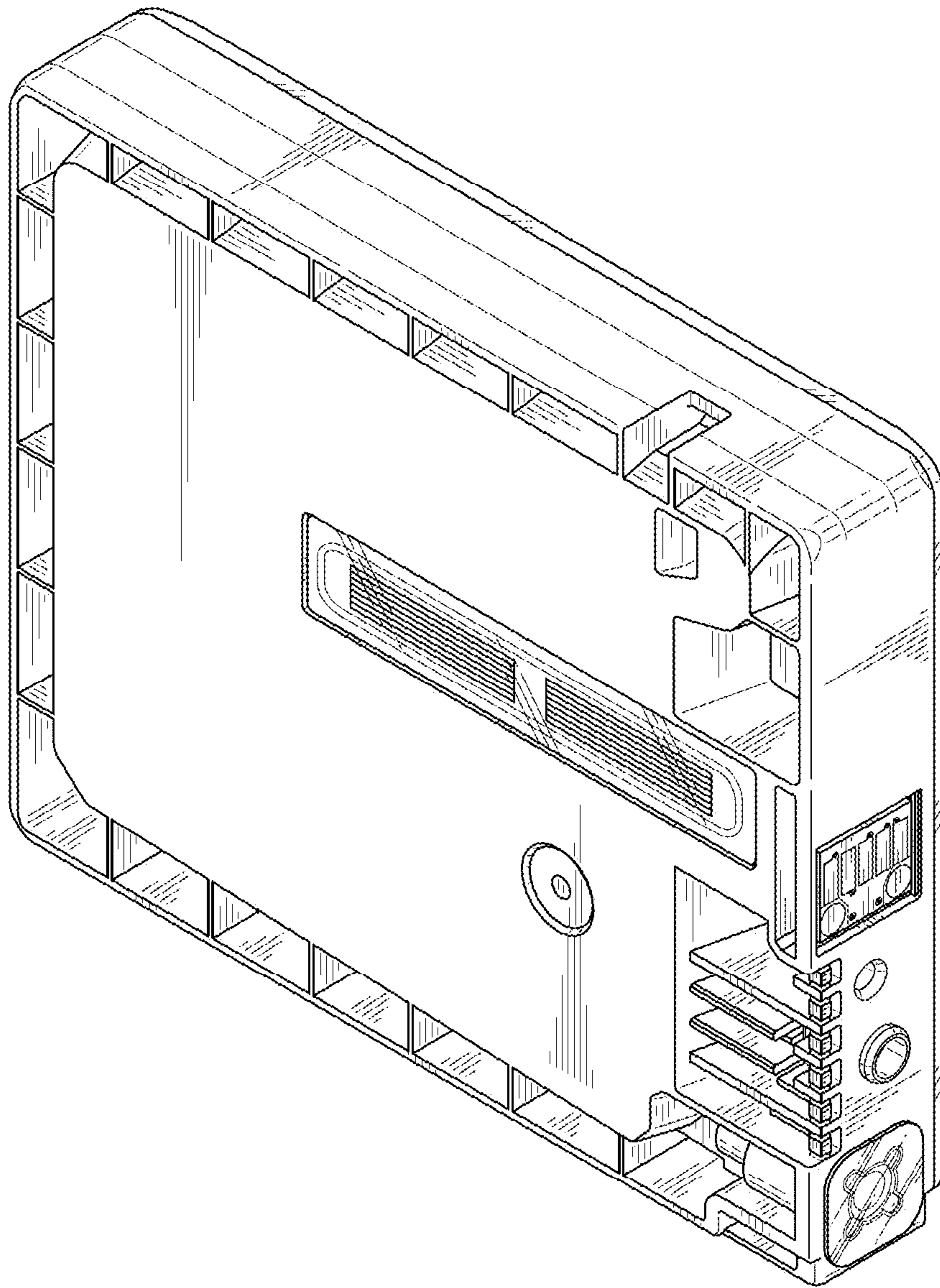


FIG. 8