



US00D767673S

(12) **United States Design Patent** (10) **Patent No.:** **US D767,673 S**
Nanjo et al. (45) **Date of Patent:** **** Sep. 27, 2016**

(54) **INK TANK FOR PRINTER**

- (71) Applicant: **Canon Kabushiki Kaisha**, Ohta-ku, Tokyo (JP)
- (72) Inventors: **Tatsuo Nanjo**, Kawasaki (JP); **Yasuo Kotaki**, Yokohama (JP); **Kenta Udagawa**, Tokyo (JP); **Hiroshi Koshikawa**, Yokohama (JP); **Wataru Takahashi**, Yokohama (JP); **Koichi Kubo**, Yokohama (JP); **Shigeki Fukui**, Kawasaki (JP); **Naozumi Nabeshima**, Tokyo (JP); **Soji Kondo**, Yokohama (JP); **Masafumi Seki**, Kawasaki (JP); **Kazuya Yoshii**, Yokohama (JP); **Yasunori Senshiki**, Tachikawa (JP)
- (73) Assignee: **CANON KABUSHIKI KAISHA**, Tokyo (JP)

- (**) Term: **14 Years**
- (21) Appl. No.: **29/504,237**
- (22) Filed: **Oct. 3, 2014**

- (30) **Foreign Application Priority Data**
- Apr. 4, 2014 (JP) 2014-007416
- (51) **LOC (10) Cl.** **18-02**
- (52) **U.S. Cl.**
USPC **D18/56**
- (58) **Field of Classification Search**
USPC D18/12, 18, 34.9, 40, 43, 50, 56, 59, D18/99; D14/471, 483
CPC B41J 2/17; B41J 2/1721; B41J 2/175; B41J 2/17503; B41J 2/17513; B41J 2/1752; B41J 2/17523; B41J 2/17553; B41J 2/17556; B41J 2/185; B41J 29/377
See application file for complete search history.

(56) **References Cited**

U.S. PATENT DOCUMENTS

D466,925 S *	12/2002	Ishizawa	347/86
D538,338 S *	3/2007	Matsumoto	347/86
D540,377 S	4/2007	Hatasa et al.	D18/56
D586,850 S *	2/2009	Matsumoto	347/86
D611,531 S	3/2010	Hatasa et al.	D18/56

(Continued)

OTHER PUBLICATIONS

U.S. Appl. No. 29/504,245, filed Oct. 3, 2014, T. Nanjo.
(Continued)

Primary Examiner — Thomas Johannes
Assistant Examiner — Shawn T Gingrich
(74) *Attorney, Agent, or Firm* — Fitzpatrick, Cella, Harper & Scinto

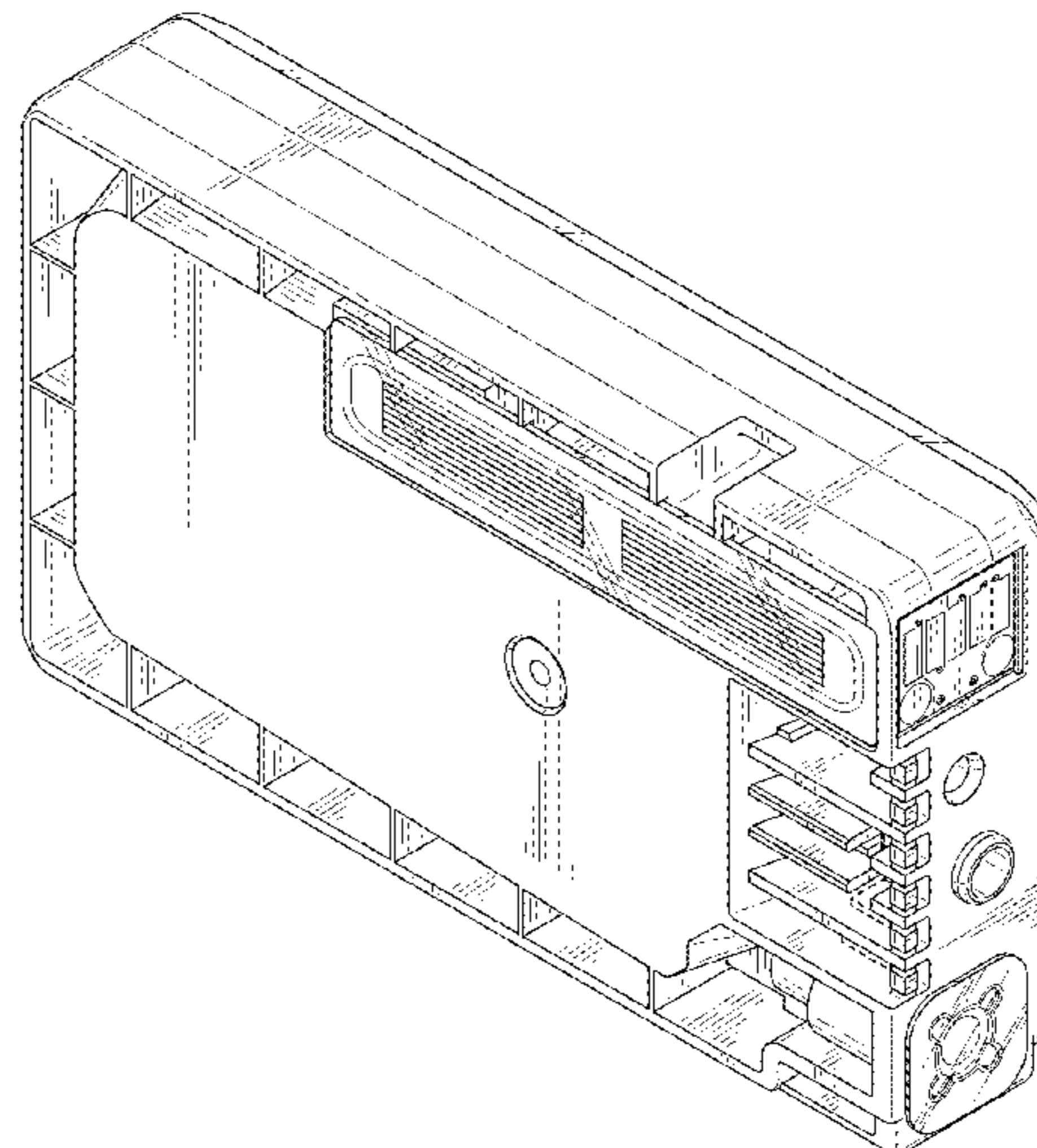
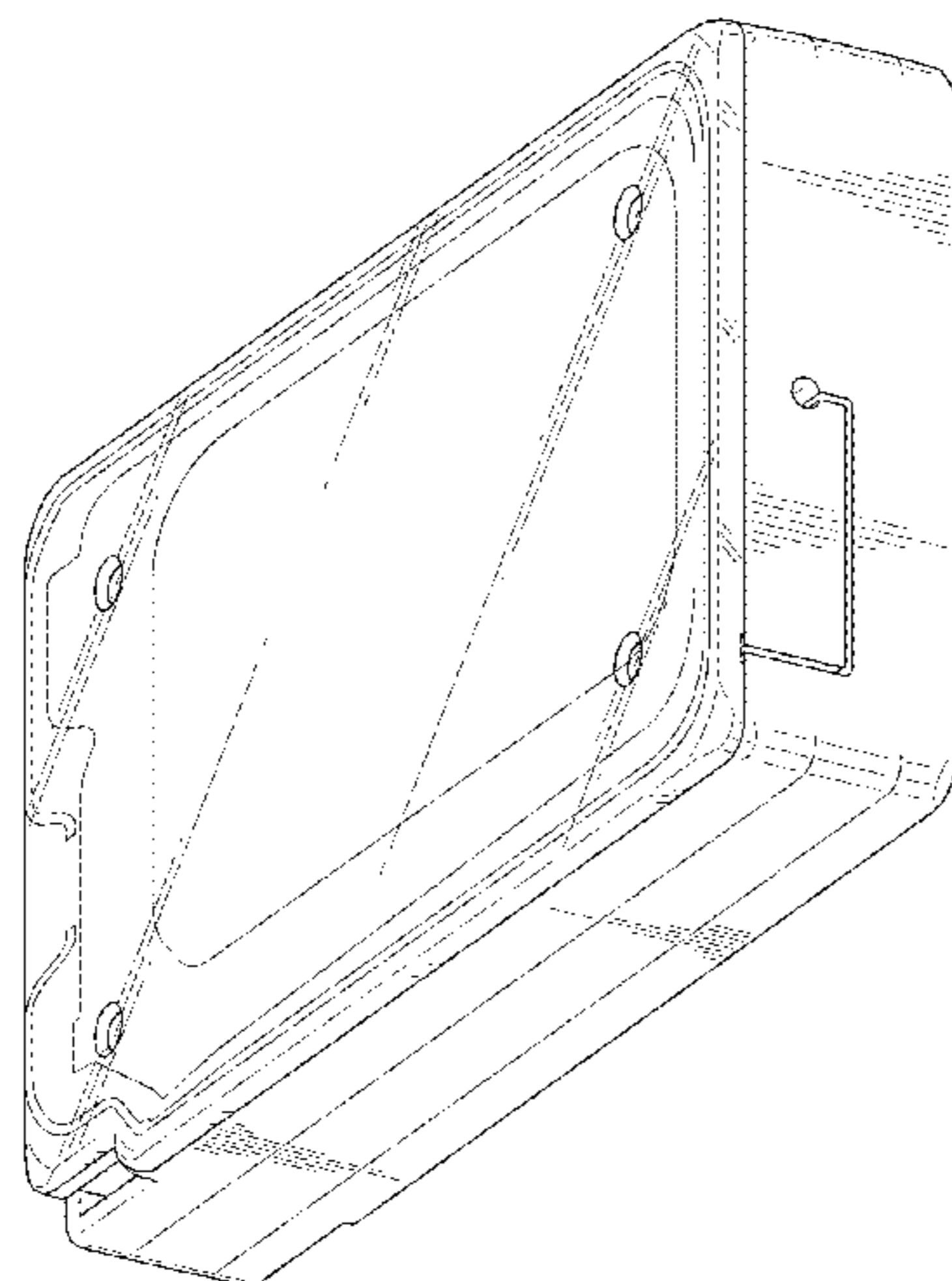
(57) **CLAIM**

The ornamental design for an ink tank for printer, as shown and described.

DESCRIPTION

FIG. 1 is a front view of an ink tank for printer showing our new design;
FIG. 2 is a rear view thereof;
FIG. 3 is a top plan view thereof;
FIG. 4 is a bottom plan view thereof;
FIG. 5 is a left side view thereof;
FIG. 6 is a right side view thereof;
FIG. 7 is a rear, bottom and right side perspective view thereof; and,
FIG. 8 is a front, top and left side perspective view thereof. The broken lines depict environmental subject matter only and form no part of the claimed design.

1 Claim, 5 Drawing Sheets



(56)

References Cited

U.S. PATENT DOCUMENTS

D611,532 S 3/2010 Nanjo et al. D18/56
 D624,960 S 10/2010 Inoue et al. D18/56
 D626,173 S 10/2010 Inoue et al. D18/56
 D656,183 S 3/2012 Nanjo et al. D18/56
 D656,185 S * 3/2012 Oya D18/56
 8,147,046 B2 * 4/2012 Yamashita B41J 2/17506
 347/86
 D674,436 S 1/2013 Takada et al. D18/56
 D680,582 S * 4/2013 Harvey D18/56
 D682,930 S * 5/2013 Aoki D18/56
 D682,931 S * 5/2013 Aoki D18/56
 D696,718 S 12/2013 Murakami et al. D18/56
 D696,719 S 12/2013 Murakami et al. D18/56
 D696,720 S 12/2013 Hayashi et al. D18/56

D696,721 S 12/2013 Kitagawa et al. D18/59
 D699,284 S 2/2014 Nanjo et al. D18/56
 D712,466 S * 9/2014 Nagashima D18/56
 2005/0036015 A1 * 2/2005 Seino B41J 2/17553
 347/86
 2014/0071211 A1 * 3/2014 Kawajiri B41J 2/17546
 347/86
 2015/0321483 A1 * 11/2015 Yoshii B41J 2/1752
 347/86
 2015/0375512 A1 * 12/2015 Kondo B41J 2/1752
 347/86

OTHER PUBLICATIONS

U.S. Appl. No. 29/504,239, filed Oct. 3, 2014, T. Nanjo.
 U.S. Appl. No. 29/504,234, filed Oct. 3, 2014, T. Nanjo.

* cited by examiner

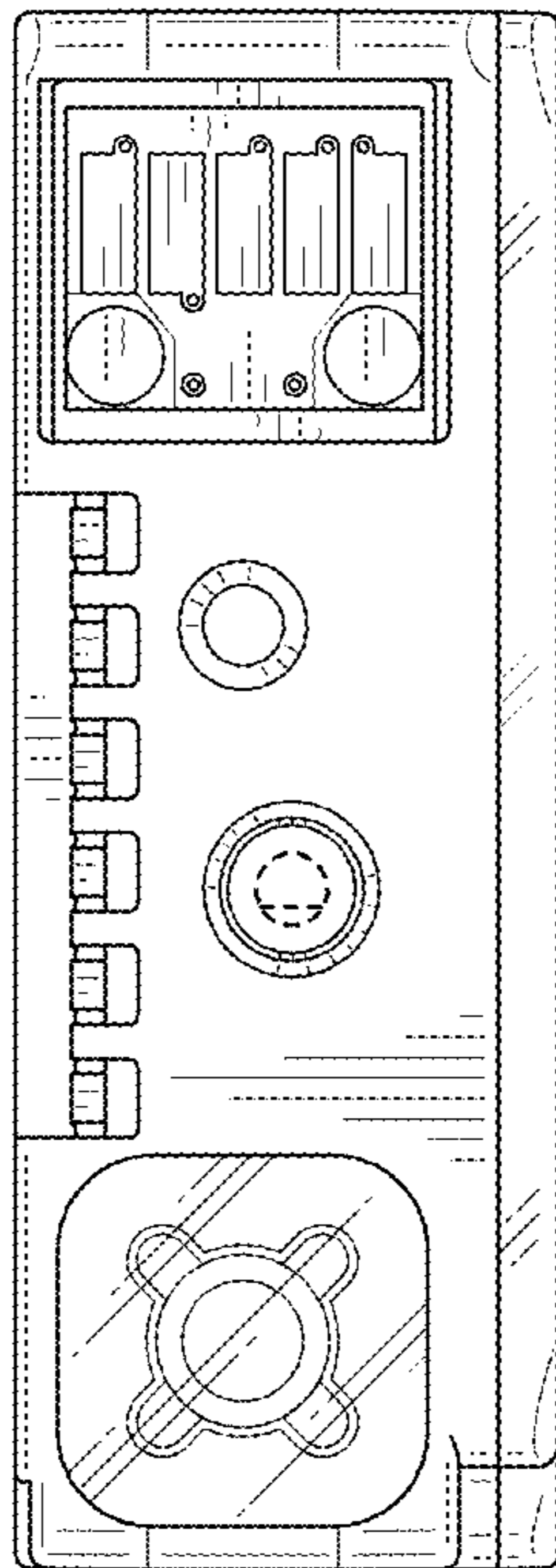


FIG. 1

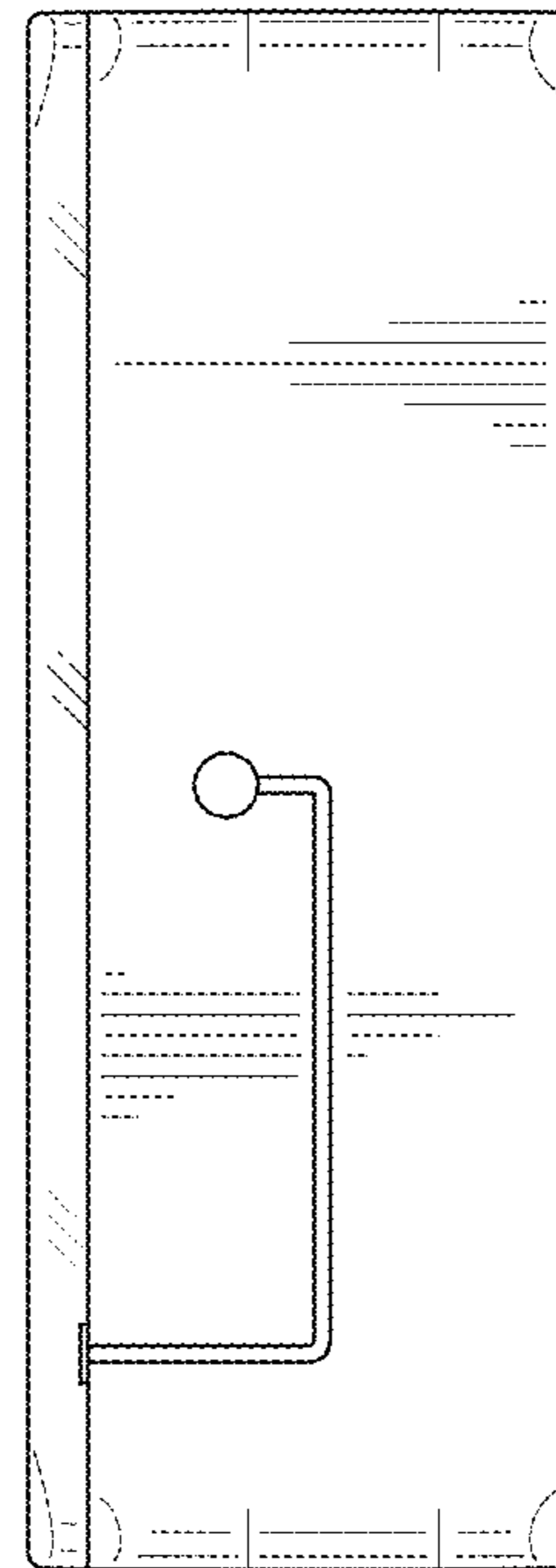


FIG. 2

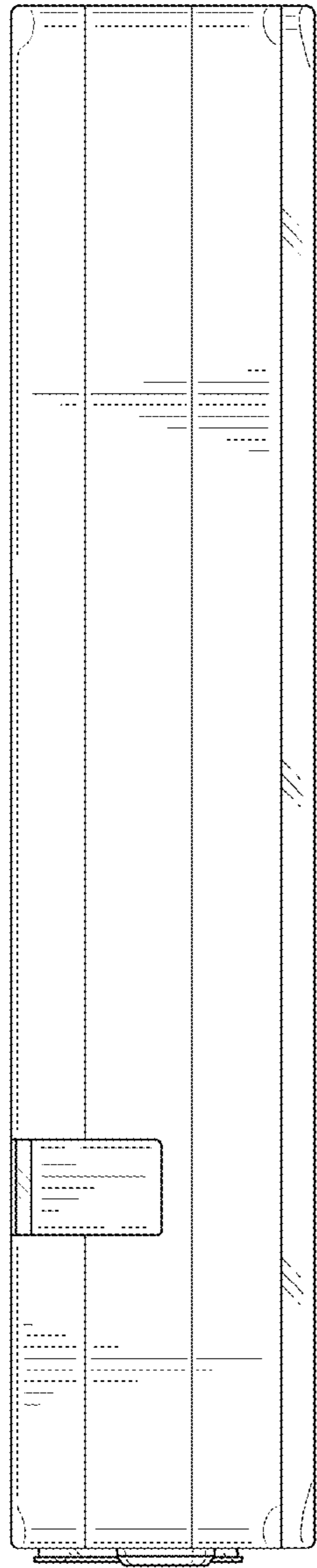


FIG. 3

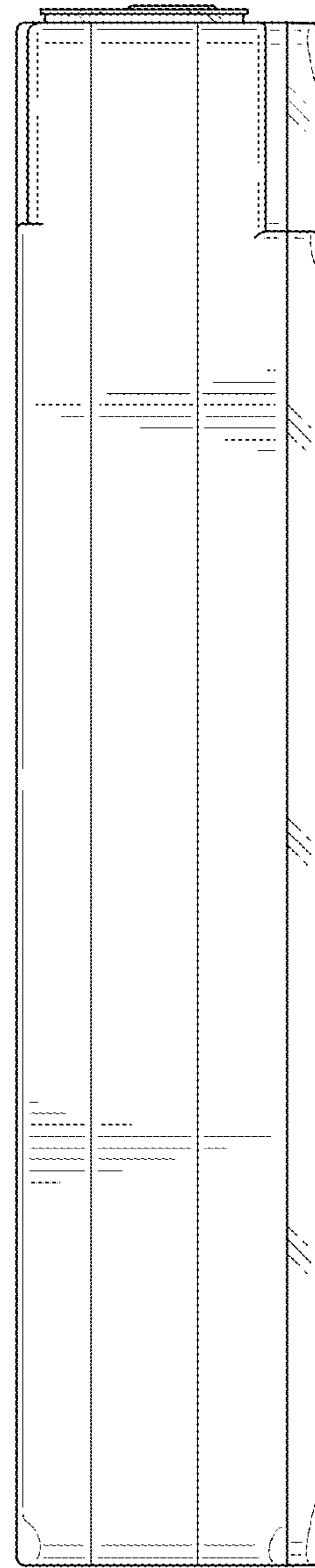


FIG. 4

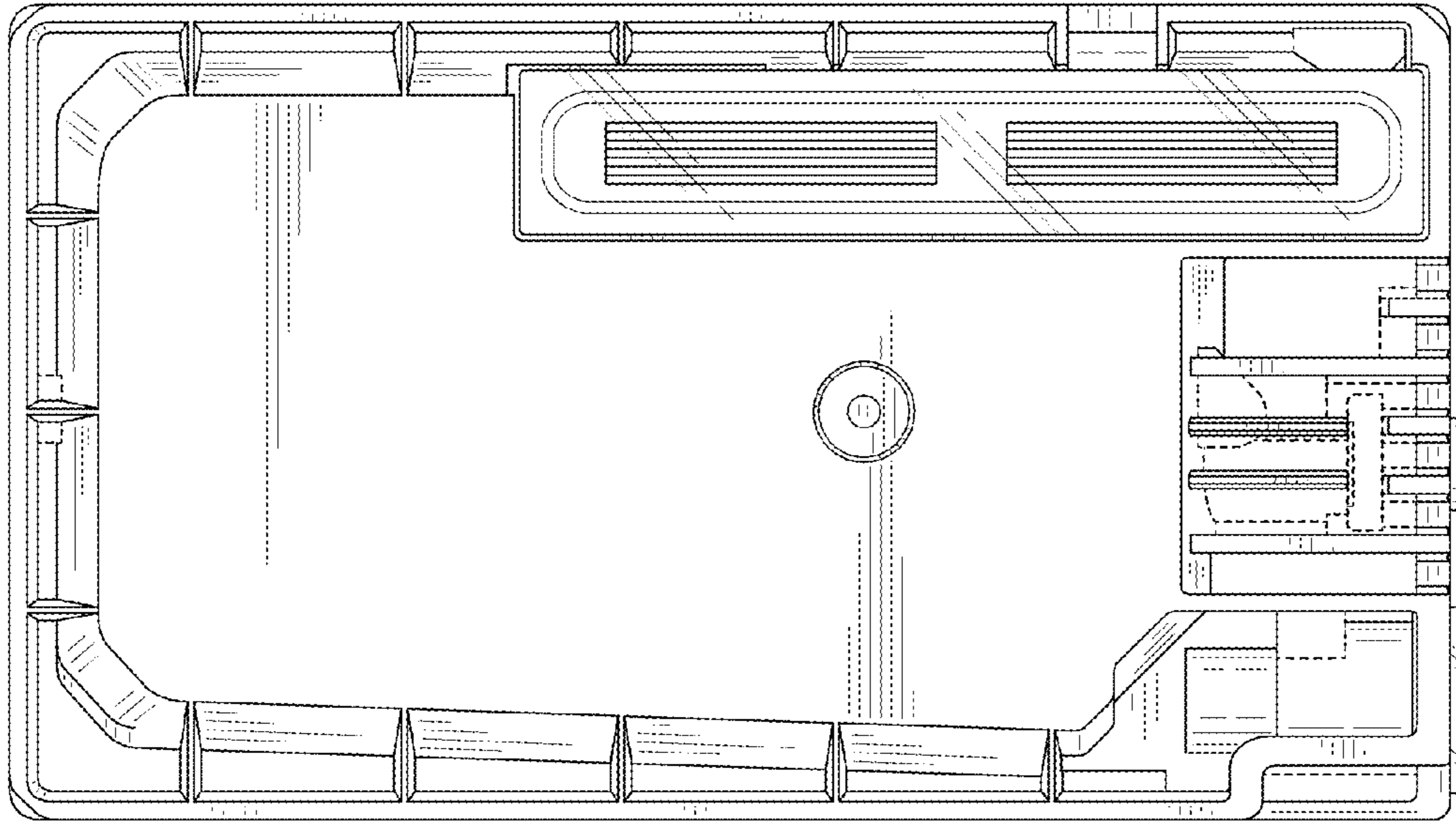


FIG. 5

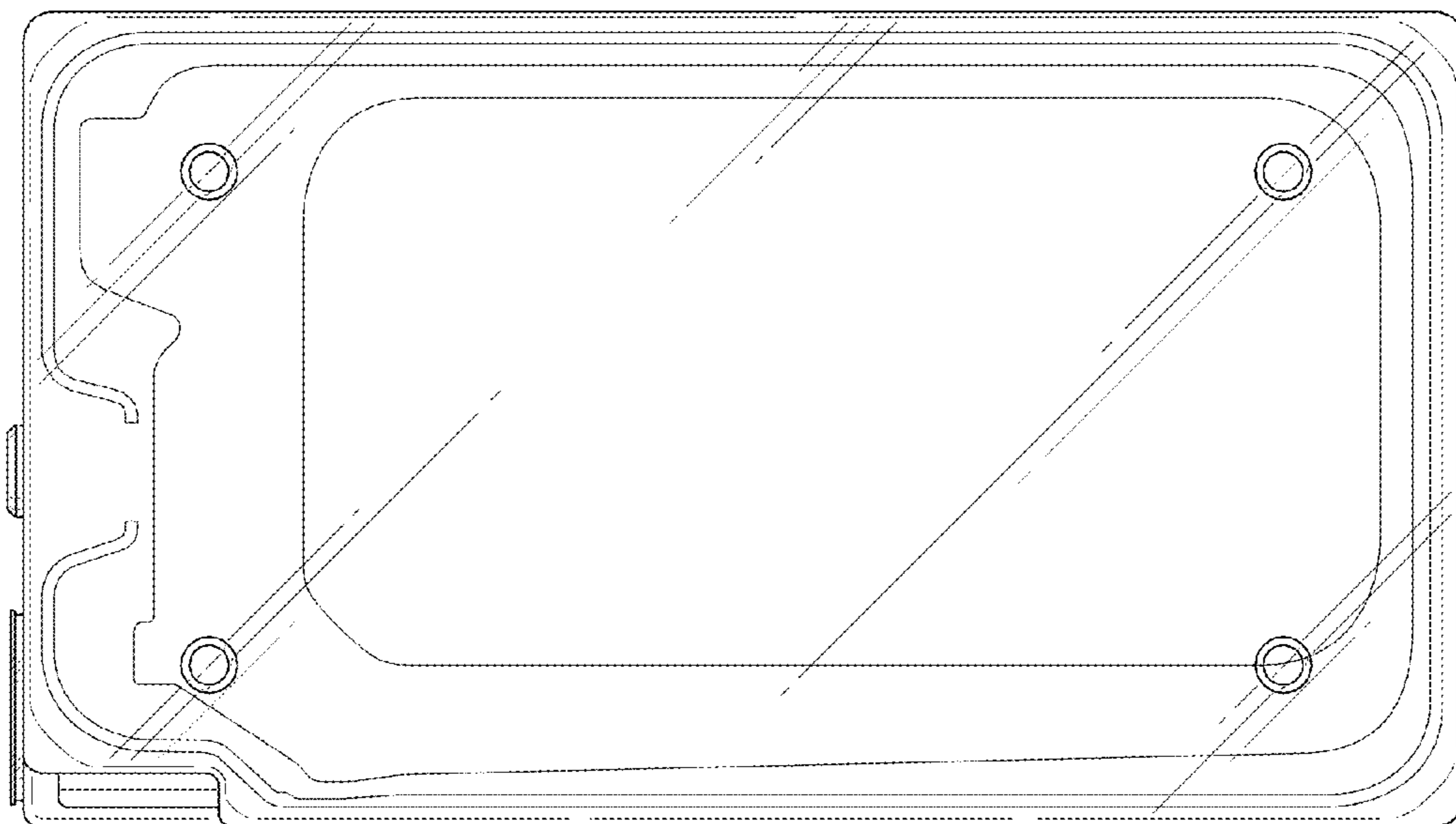


FIG. 6

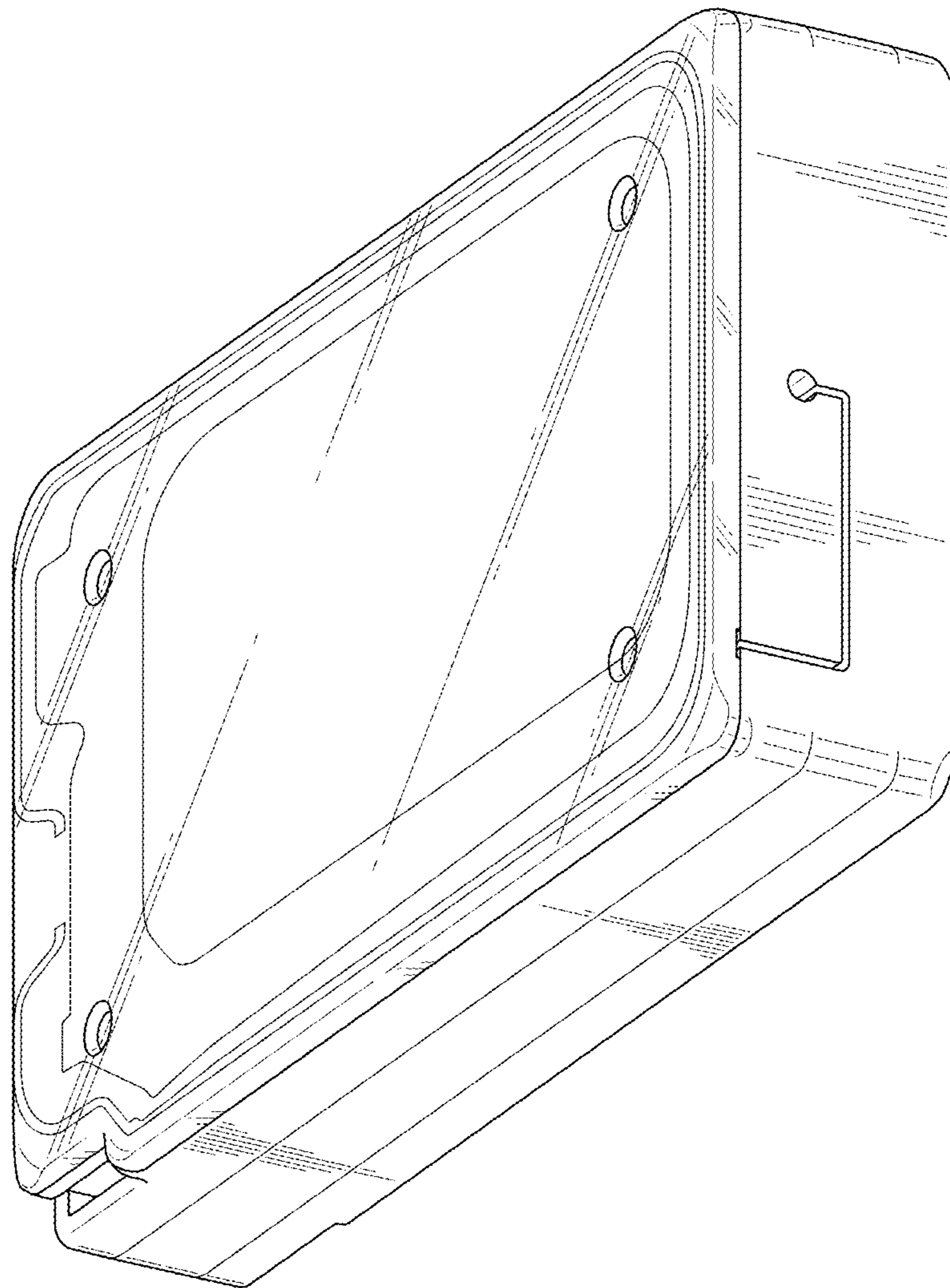


FIG. 7

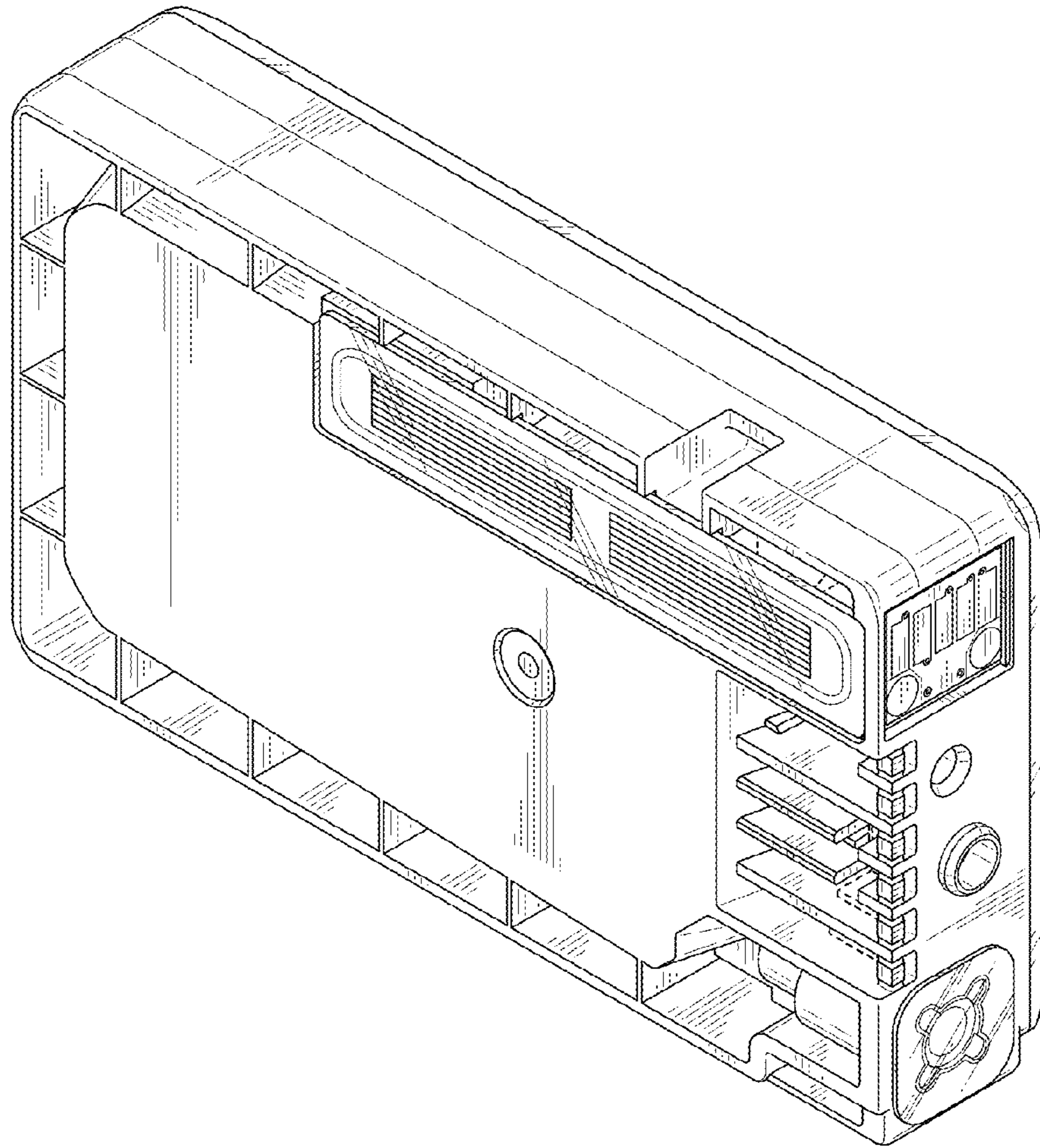


FIG. 8