



US00D767671S

(12) **United States Design Patent**  
**Endo et al.**

(10) **Patent No.:** **US D767,671 S**  
(45) **Date of Patent:** **\*\* Sep. 27, 2016**

(54) **PRINTER**

(71) Applicant: **SEIKO EPSON CORPORATION**,  
Tokyo (JP)  
(72) Inventors: **Katsuyuki Endo**, Matsumoto (JP);  
**Makoto Terashima**, Shiojiri (JP);  
**Ayumu Nakamura**, Matsumoto (JP);  
**Takashi Makino**, Matsumoto (JP);  
**Shinsuke Tomomatsu**, Matsumoto (JP)  
(73) Assignee: **SEIKO EPSON CORPORATION**,  
Tokyo (JP)

(\*\*) Term: **15 Years**

(21) Appl. No.: **29/529,700**

(22) Filed: **Jun. 10, 2015**

(30) **Foreign Application Priority Data**

Dec. 25, 2014 (JP) ..... 2014-028979  
Apr. 3, 2015 (JP) ..... 2015-007581

(51) **LOC (10) Cl.** ..... **14-02**

(52) **U.S. Cl.**  
USPC ..... **D18/50**

(58) **Field of Classification Search**  
USPC ..... D18/14, 19, 36-39, 50, 54, 54.1, 55;  
D14/420-422, 424-425, 463-470  
CPC ..... B41J 3/38; B41J 3/4075; B41J 11/48;  
B41J 11/58; B41J 13/12; B41J 15/02; B41J  
15/042; B41J 17/00; B41J 29/02; B41J  
29/08

See application file for complete search history.

(56) **References Cited**

U.S. PATENT DOCUMENTS

D341,827 S \* 11/1993 Lai ..... D14/308  
D465,236 S \* 11/2002 Fukasawa ..... D18/50  
D523,897 S \* 6/2006 Iue ..... D18/54  
D641,039 S \* 7/2011 Kimura ..... D18/55  
8,351,822 B2 \* 1/2013 Yamada ..... B41J 29/13  
399/125  
D682,927 S \* 5/2013 Azegami ..... D18/50

\* cited by examiner

*Primary Examiner* — Cathy Anne MacCormac

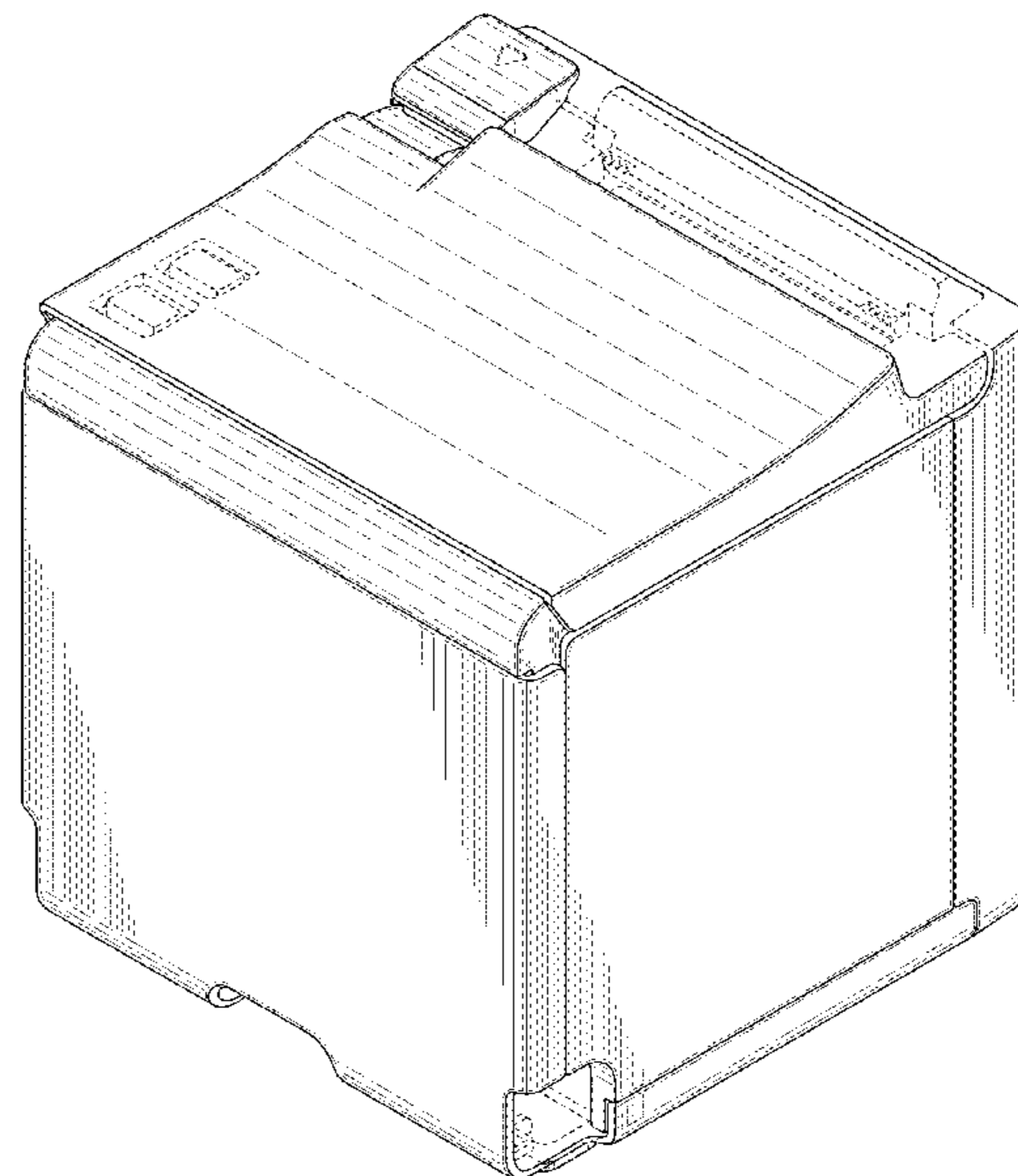
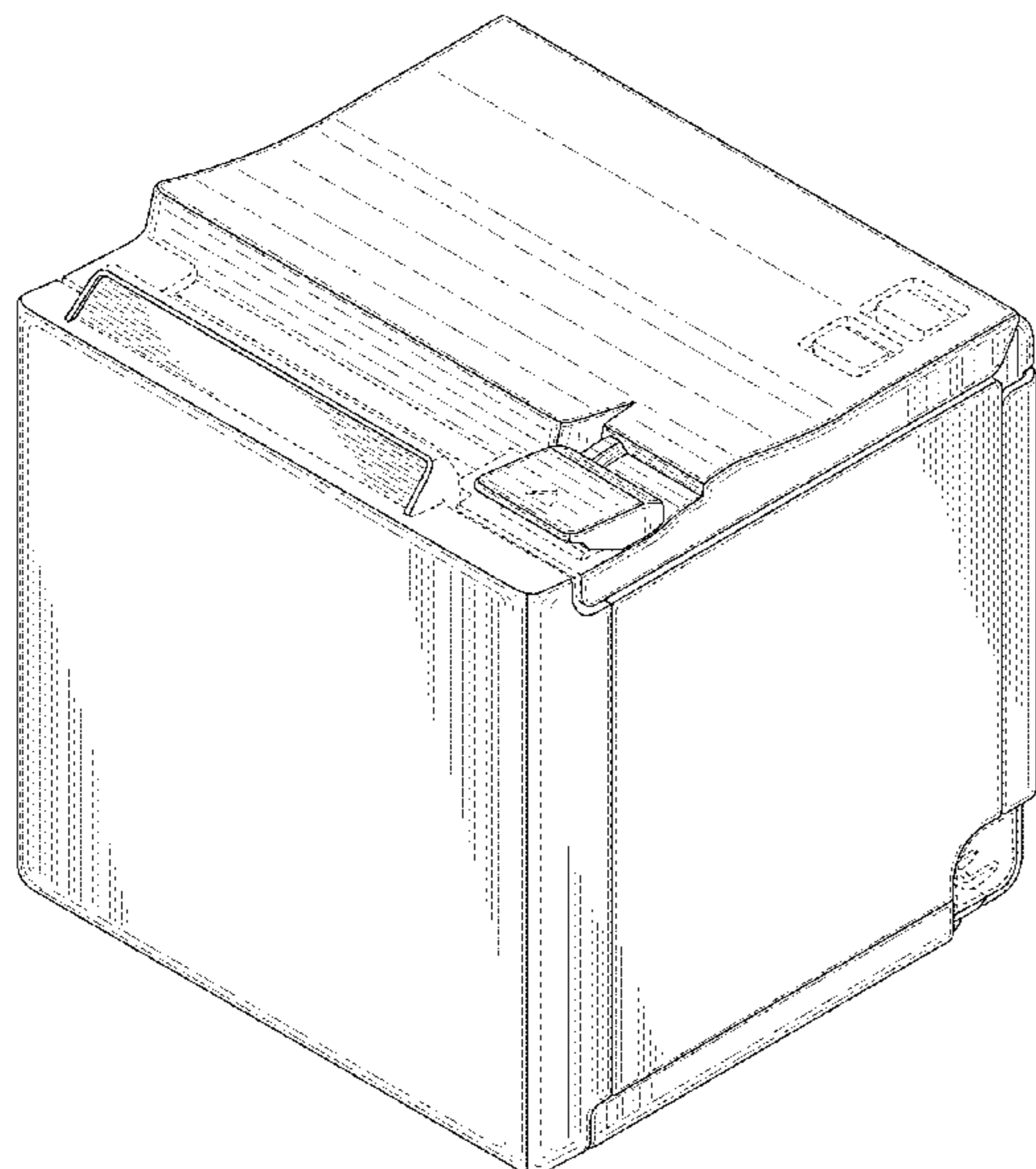
(57) **CLAIM**

The ornamental design for a printer, as shown and described.

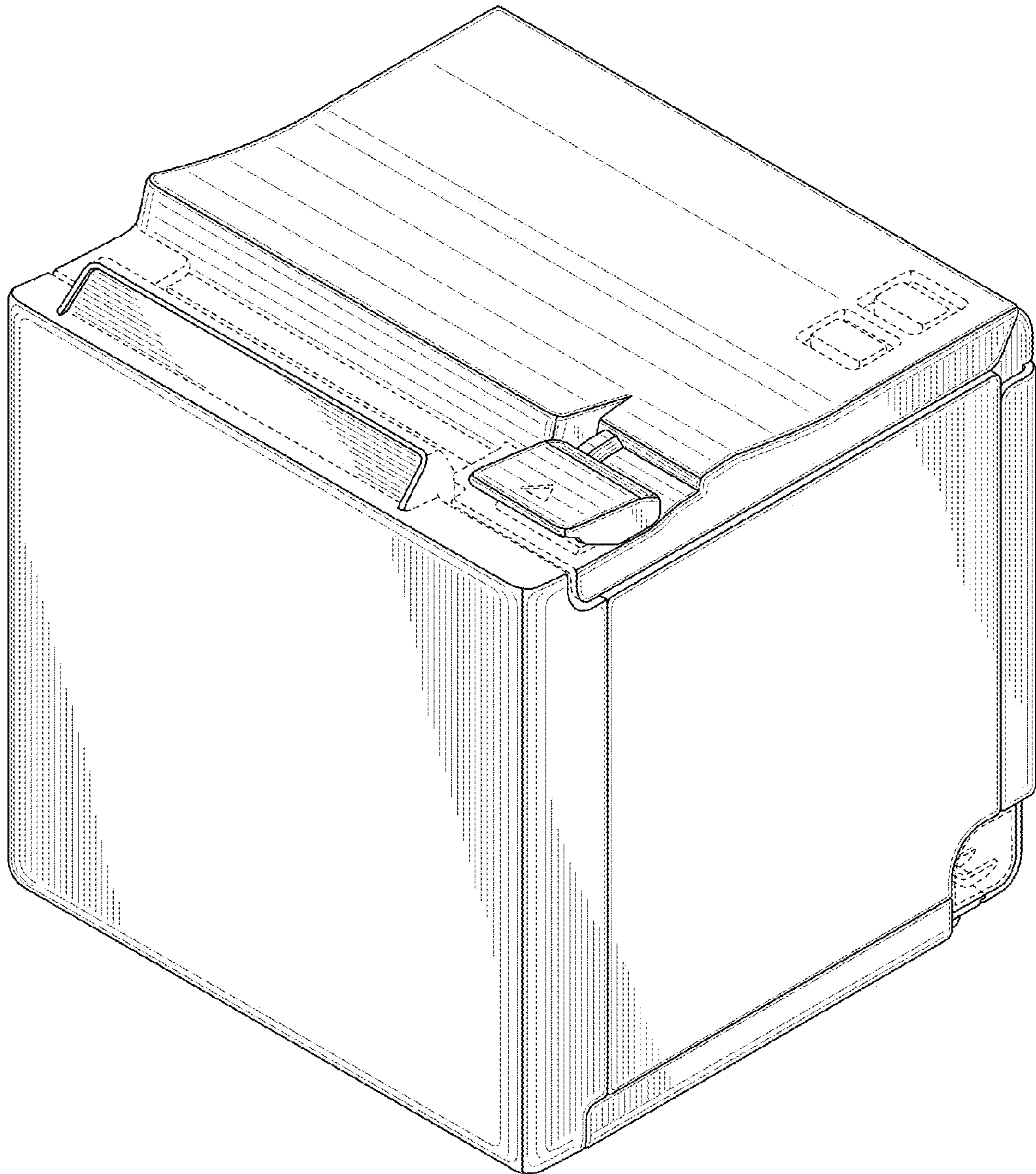
**DESCRIPTION**

FIG. 1 is a front, top, and right side perspective view of a printer showing our new design; FIG. 2 is a rear, top, and left side perspective view thereof; FIG. 3 is a front view thereof; FIG. 4 is a rear view thereof; FIG. 5 is a top plan view thereof; FIG. 6 is a bottom plan view thereof; FIG. 7 is a right side view thereof; and, FIG. 8 is a left side view thereof. The features shown in broken lines in the drawings depict environmental subject matter only and form no part of the claimed design.

**1 Claim, 8 Drawing Sheets**

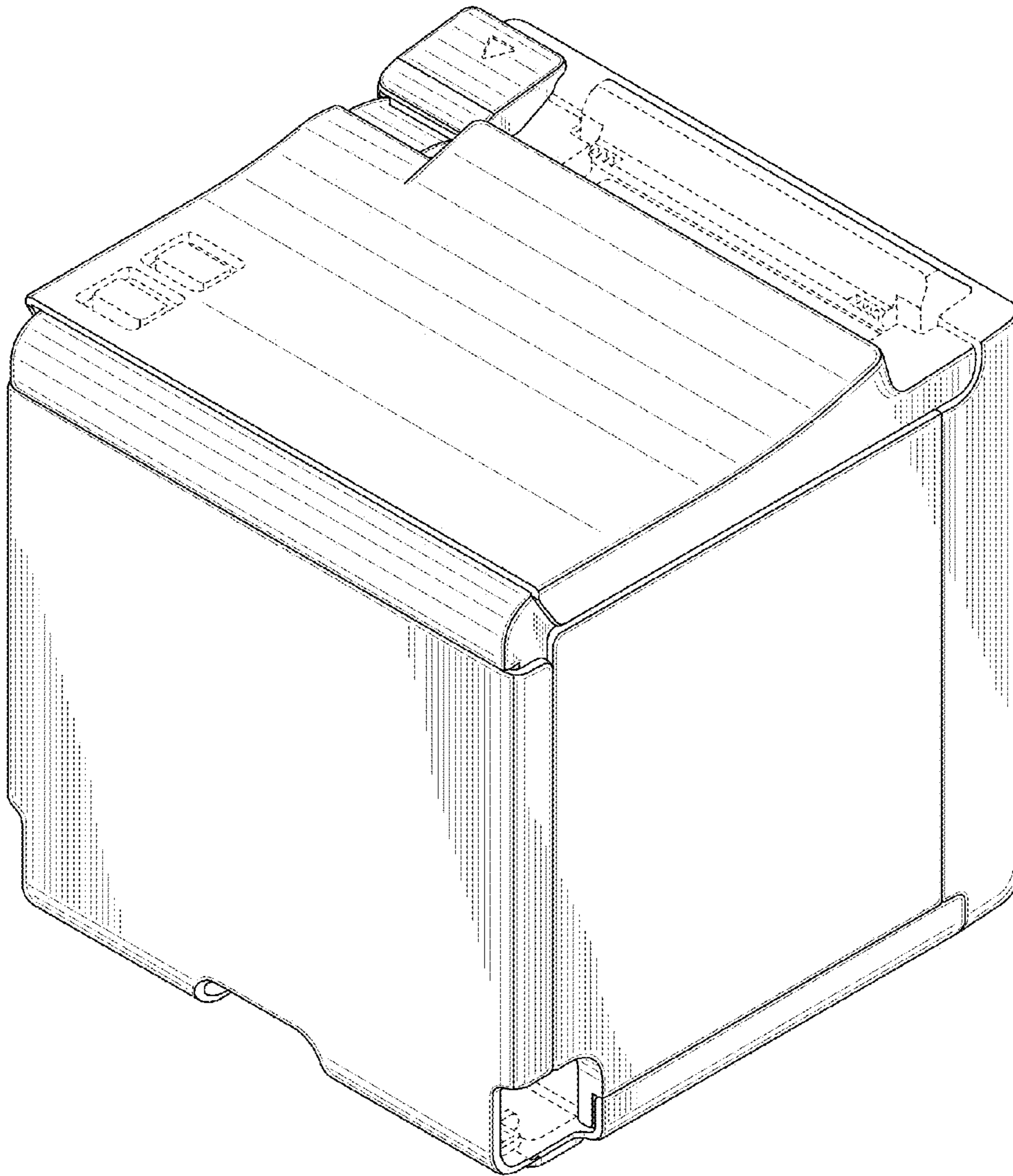


**FIG. 1**

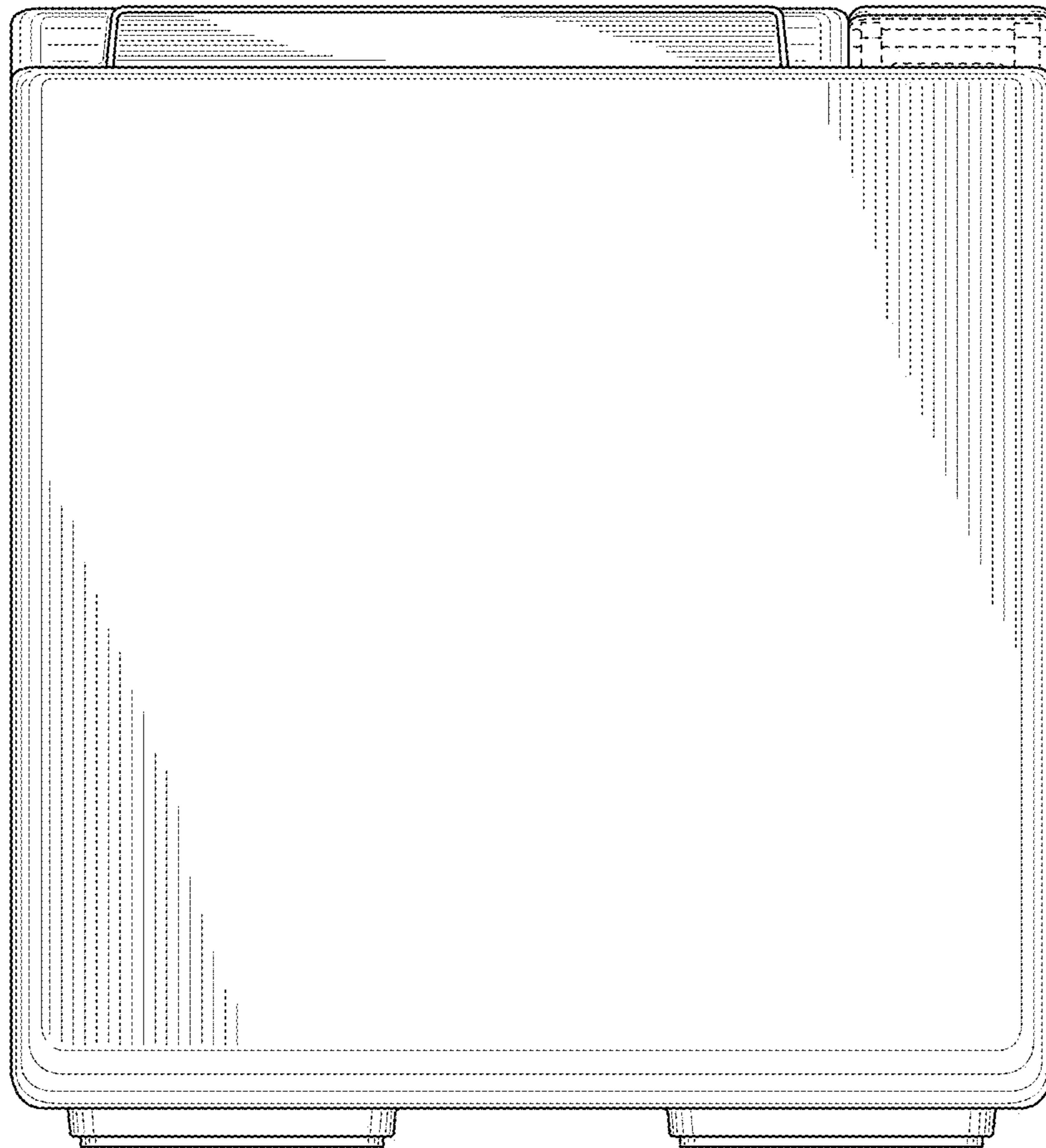




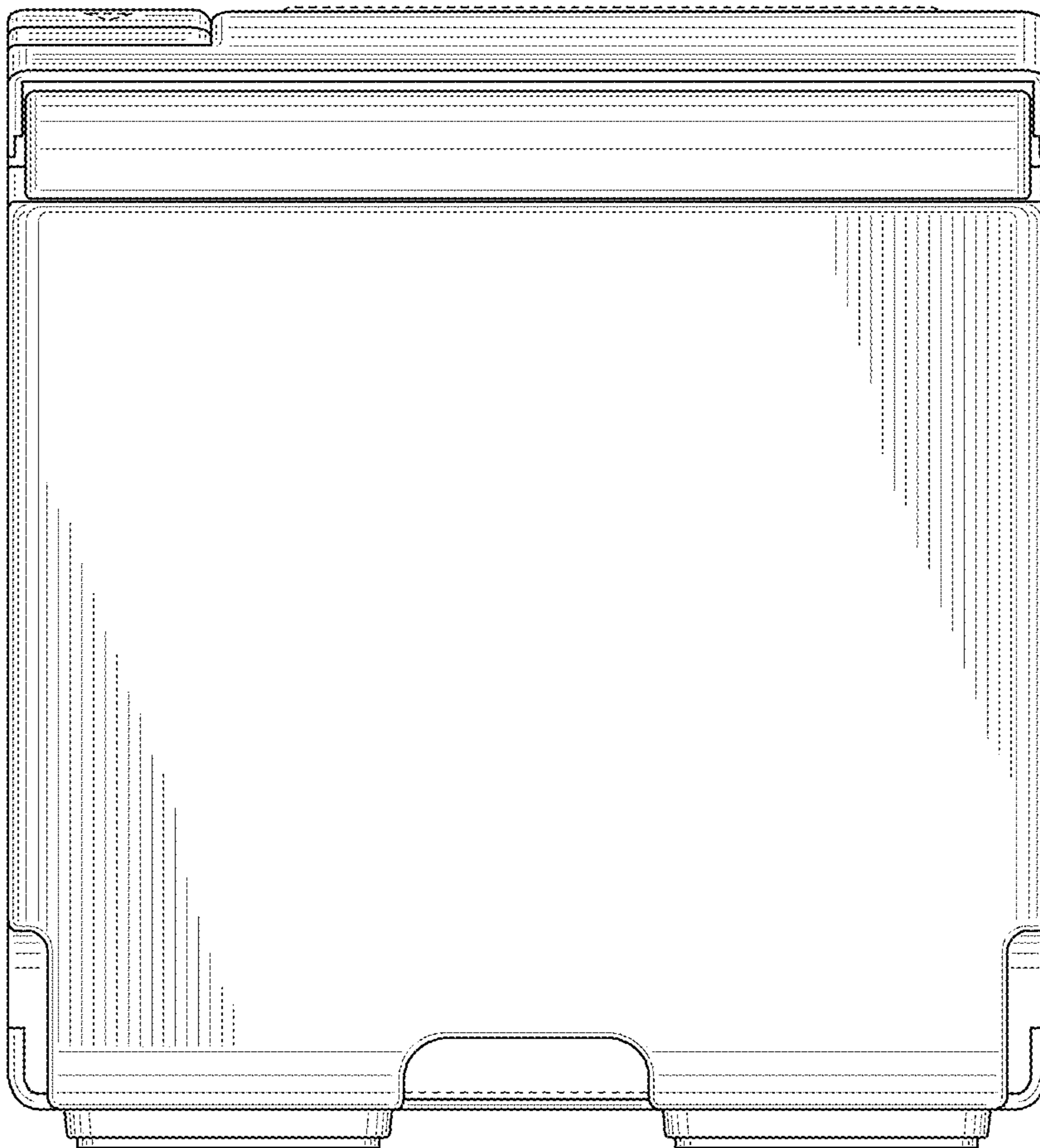
**FIG. 2**



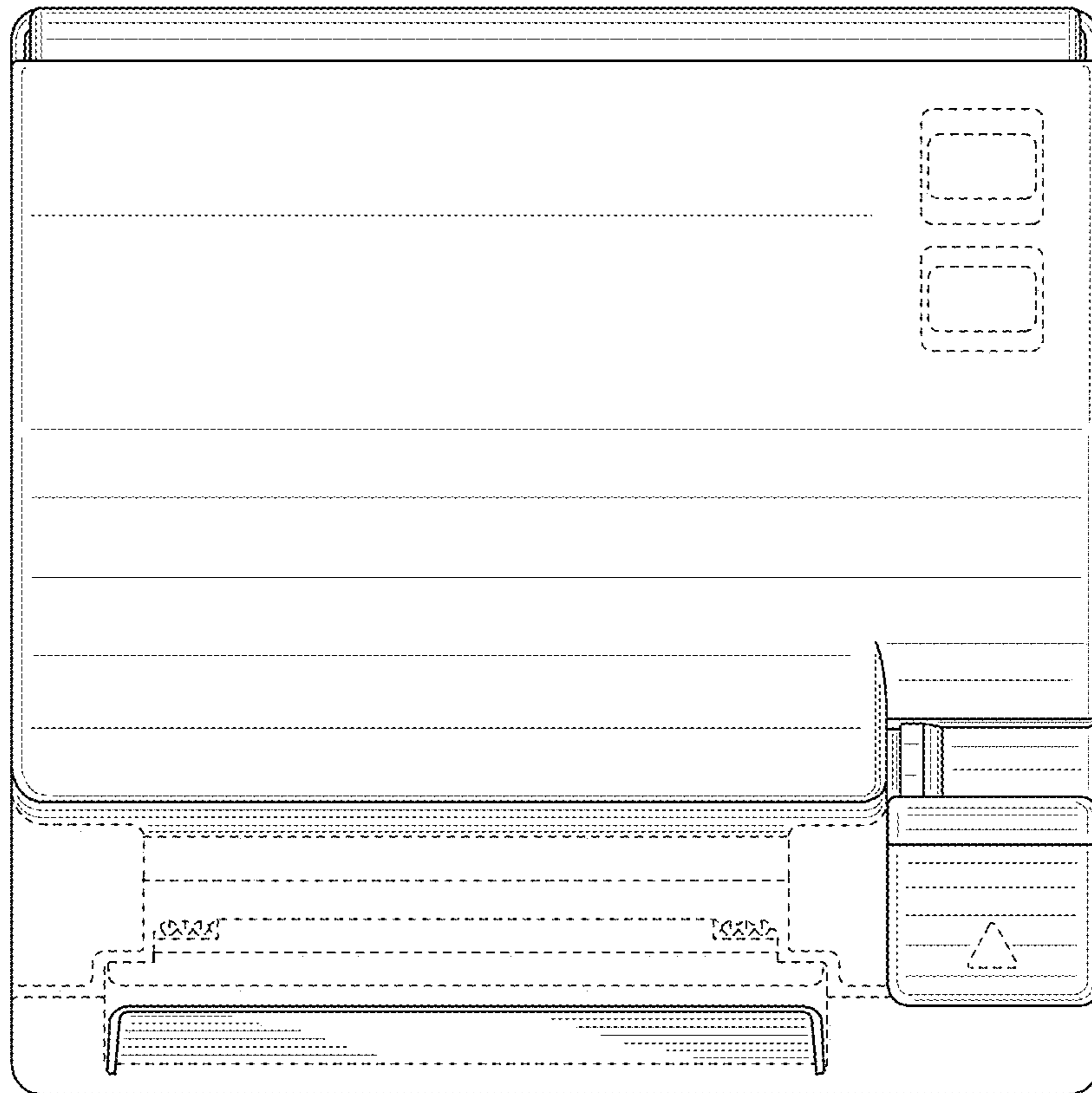
*FIG. 3*



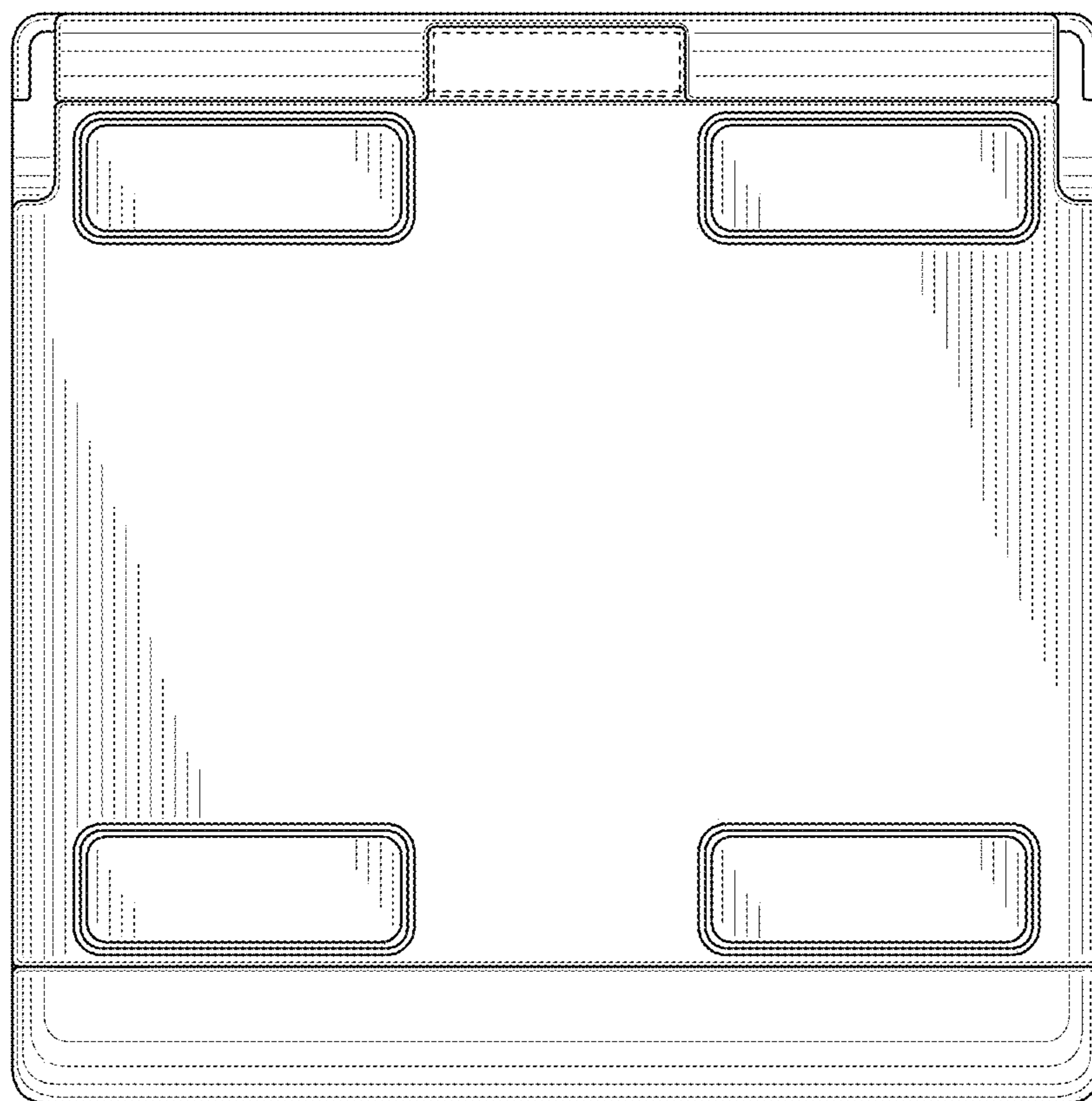
*FIG. 4*



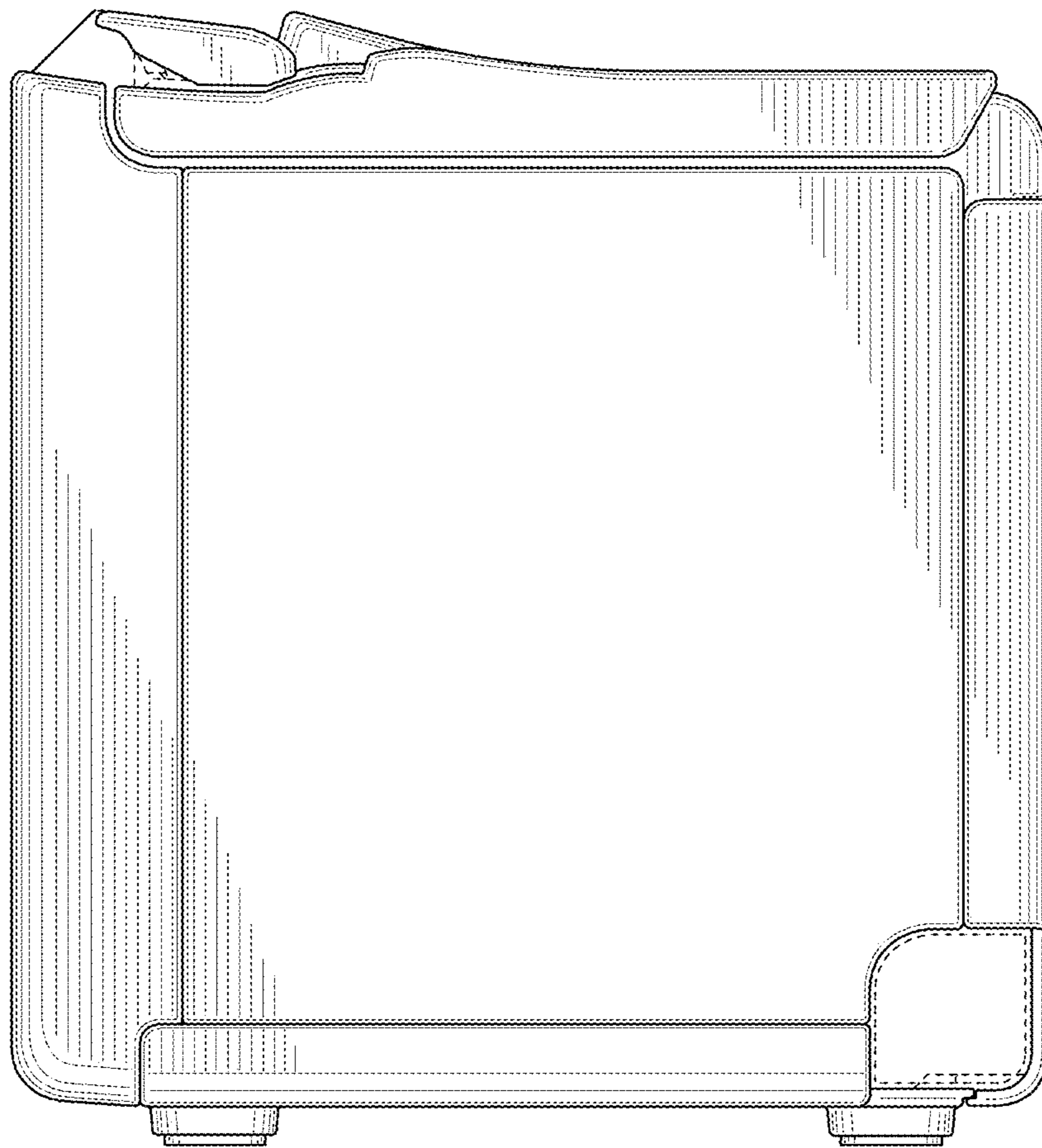
**FIG. 5**



**FIG. 6**



**FIG. 7**





*FIG. 8*

