



(12) **United States Design Patent**
Chatterton et al.

(10) **Patent No.:** **US D767,670 S**
(45) **Date of Patent:** **** Sep. 27, 2016**

(54) **ELECTRONIC DEVICE DESIGN**

19/06028; G06K 19/0614; G06K 19/06206;
G06K 19/067

(71) Applicant: **PAYPAL, INC.**, San Jose, CA (US)

See application file for complete search history.

(72) Inventors: **Geoffrey W. Chatterton**, Santa Clara, CA (US); **Satish Narayan Govindarajan**, Los Altos, CA (US); **Gunabalan Babu**, Fremont, CA (US); **Guhan Senguttuvan**, San Jose, CA (US); **Arthur Kenzo Debaigue**, San Francisco, CA (US); **Yves Behar**, San Francisco, CA (US); **Uris Dacosta**, San Francisco, CA (US); **Michael McKay**, San Francisco, CA (US); **Michael Voege**, Santa Clara, CA (US)

(56) **References Cited**

U.S. PATENT DOCUMENTS

D675,618 S	2/2013	Behar et al.	
D686,208 S	7/2013	Miller et al.	
8,500,010 B1	8/2013	Marcus et al.	
8,763,900 B2 *	7/2014	Marcus	G06K 7/089 235/380
D725,655 S	3/2015	Debaigue et al.	
D728,568 S	5/2015	Debaigue et al.	
D740,287 S	10/2015	Peschel et al.	
D740,820 S *	10/2015	Templeton	D14/385
9,224,142 B2 *	12/2015	Lamba	G06Q 20/322
D749,586 S *	2/2016	Tarling	D14/385
D752,131 S *	3/2016	Chatterton	D14/385
9,324,100 B2 *	4/2016	Sather	G06Q 20/322

(73) Assignee: **PAYPAL, INC.**, San Jose, CA (US)

(**) Term: **15 Years**

* cited by examiner

(21) Appl. No.: **29/553,314**

Primary Examiner — Daniel Bui

(22) Filed: **Jan. 29, 2016**

Assistant Examiner — Khawaja Anwar

Related U.S. Application Data

(74) *Attorney, Agent, or Firm* — Haynes and Boone, LLP

(63) Continuation of application No. 29/499,883, filed on Aug. 19, 2014, now Pat. No. Des. 752,131.

(51) **LOC (10) Cl.** **18-01**

(52) **U.S. Cl.**
USPC **D18/4.6; D14/385**

(58) **Field of Classification Search**

USPC D18/4.4, 4.5, 4.6, 12, 12.1, 12.3;
D14/383, 384, 385, 386, 378
CPC G06K 19/07749; G06K 19/0723;
G06K 19/041; G06K 19/07758; G06K
19/0775; G06K 19/07783; G06K 19/07794;
G06K 19/06046; G06K 19/07722; G06K
19/07773; G06K 19/07779; G06K 19/07784;
G06K 19/07786; G06K 19/0709; G06K
19/10178; G06K 7/10336; G06K 7/1096;
G06K 13/067; G06K 13/16; G06K 17/00;
G06K 17/0006; G06K 17/0022; G06K
17/0025; G06K 19/02; G06K 19/06; G06K

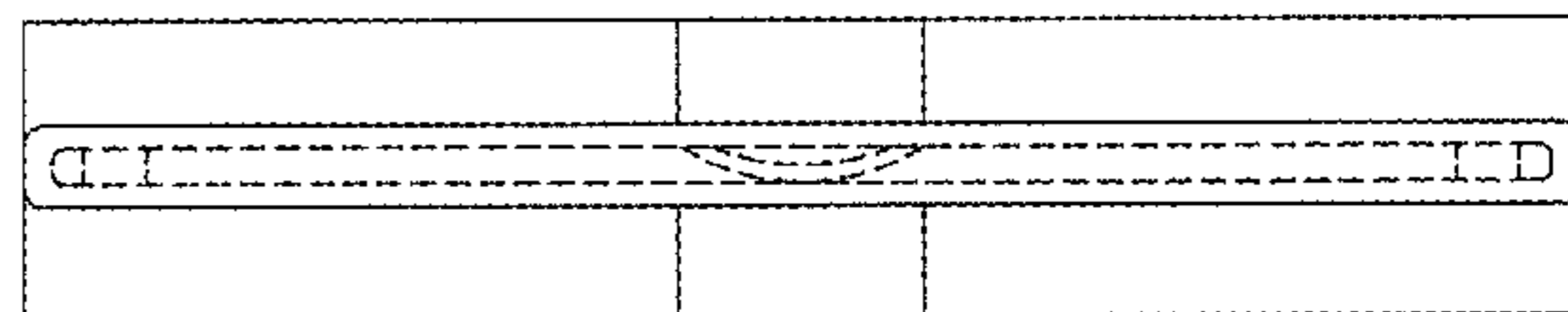
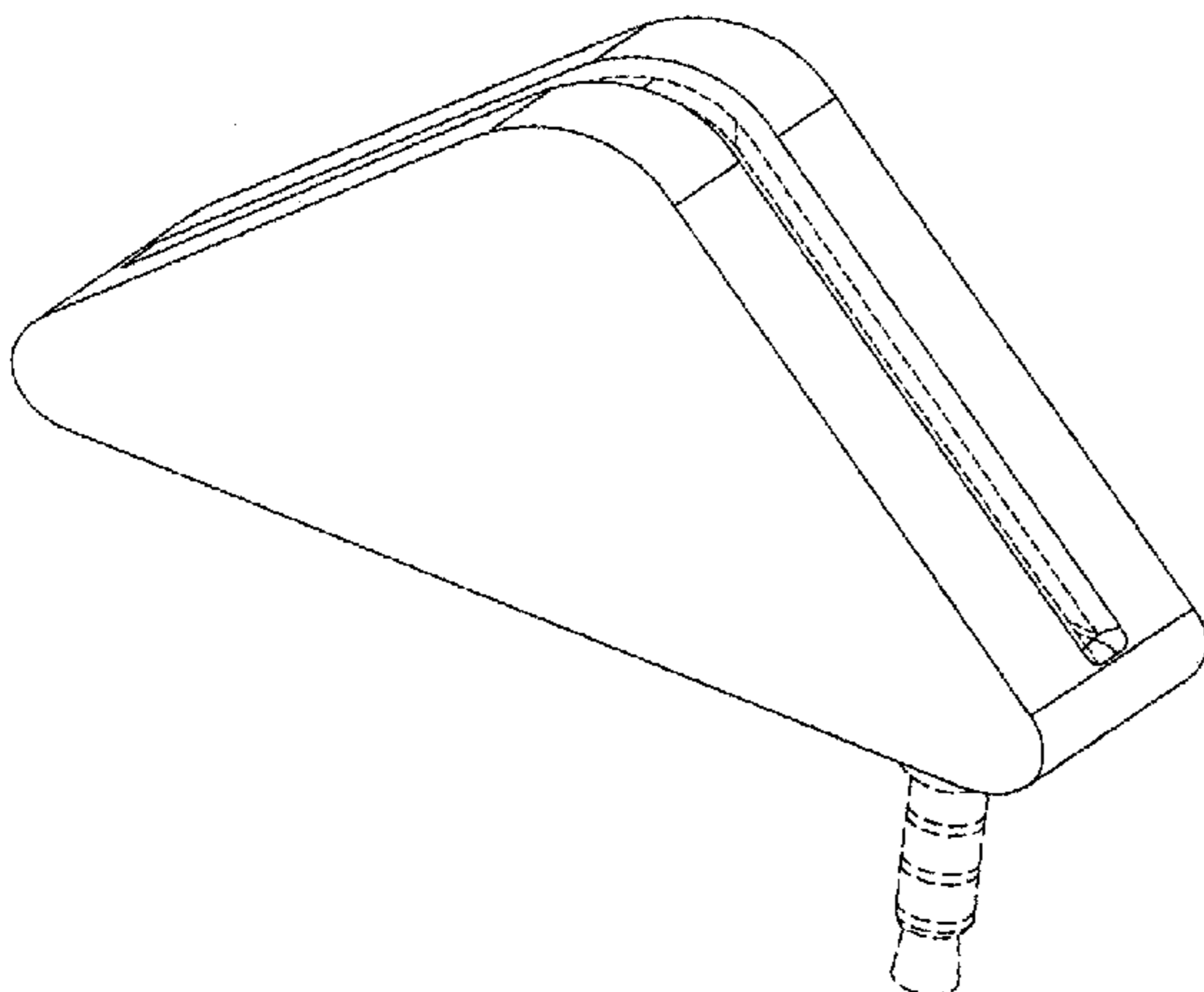
(57) **CLAIM**

The ornamental design for an electronic device design, as shown and described.

DESCRIPTION

FIG. 1 is a perspective front view of an electronic device design showing our new design;
FIG. 2 is a perspective back view thereof;
FIG. 3 is a front elevation view thereof;
FIG. 4 is a back elevation view thereof;
FIG. 5 is a side elevation view thereof;
FIG. 6 is another side elevation view thereof;
FIG. 7 is a top plan view thereof; and,
FIG. 8 is a bottom plan view thereof.
In the drawings, the broken lines depict environmental subject matter only and form no part of the claimed design.

1 Claim, 4 Drawing Sheets



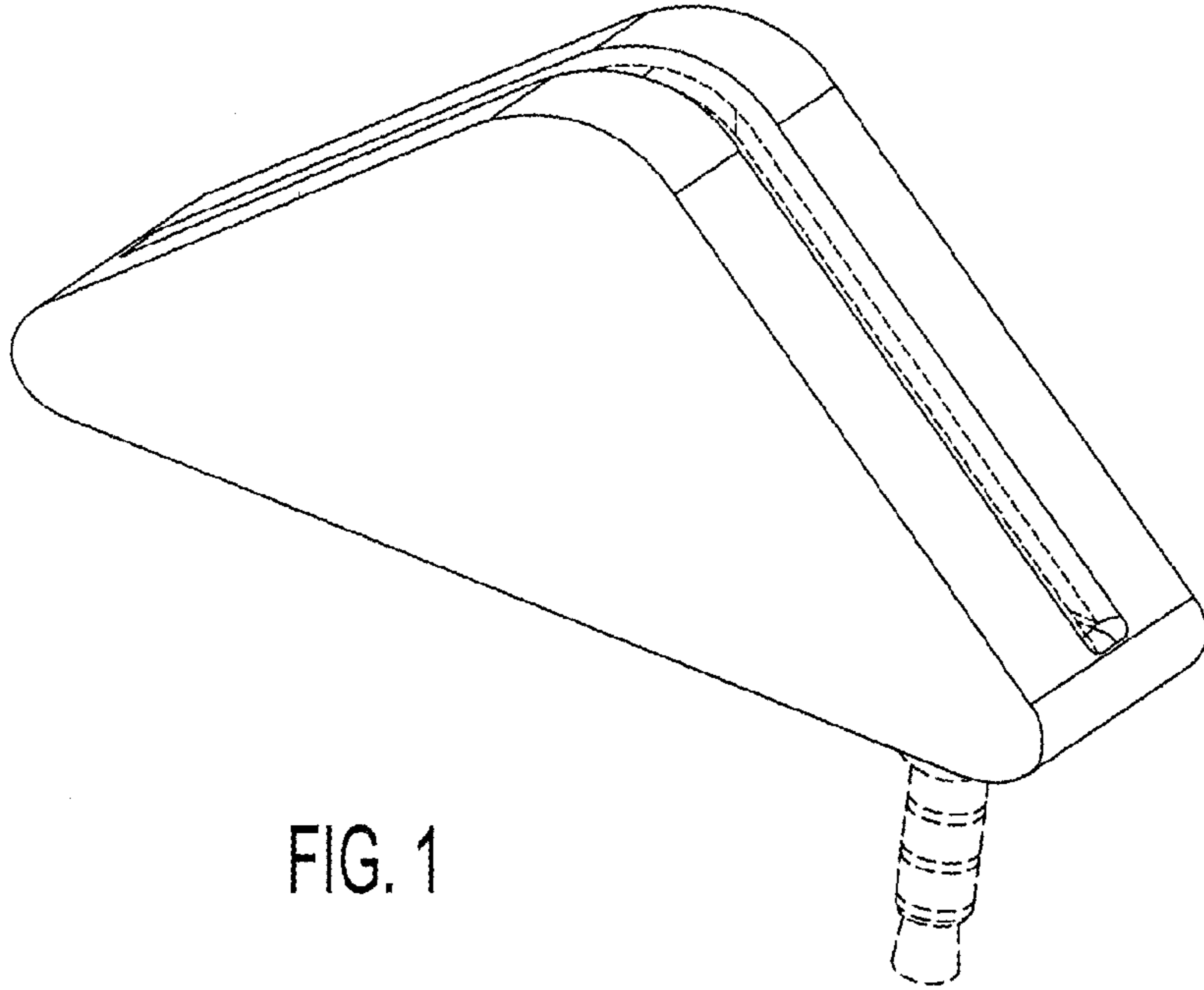


FIG. 1

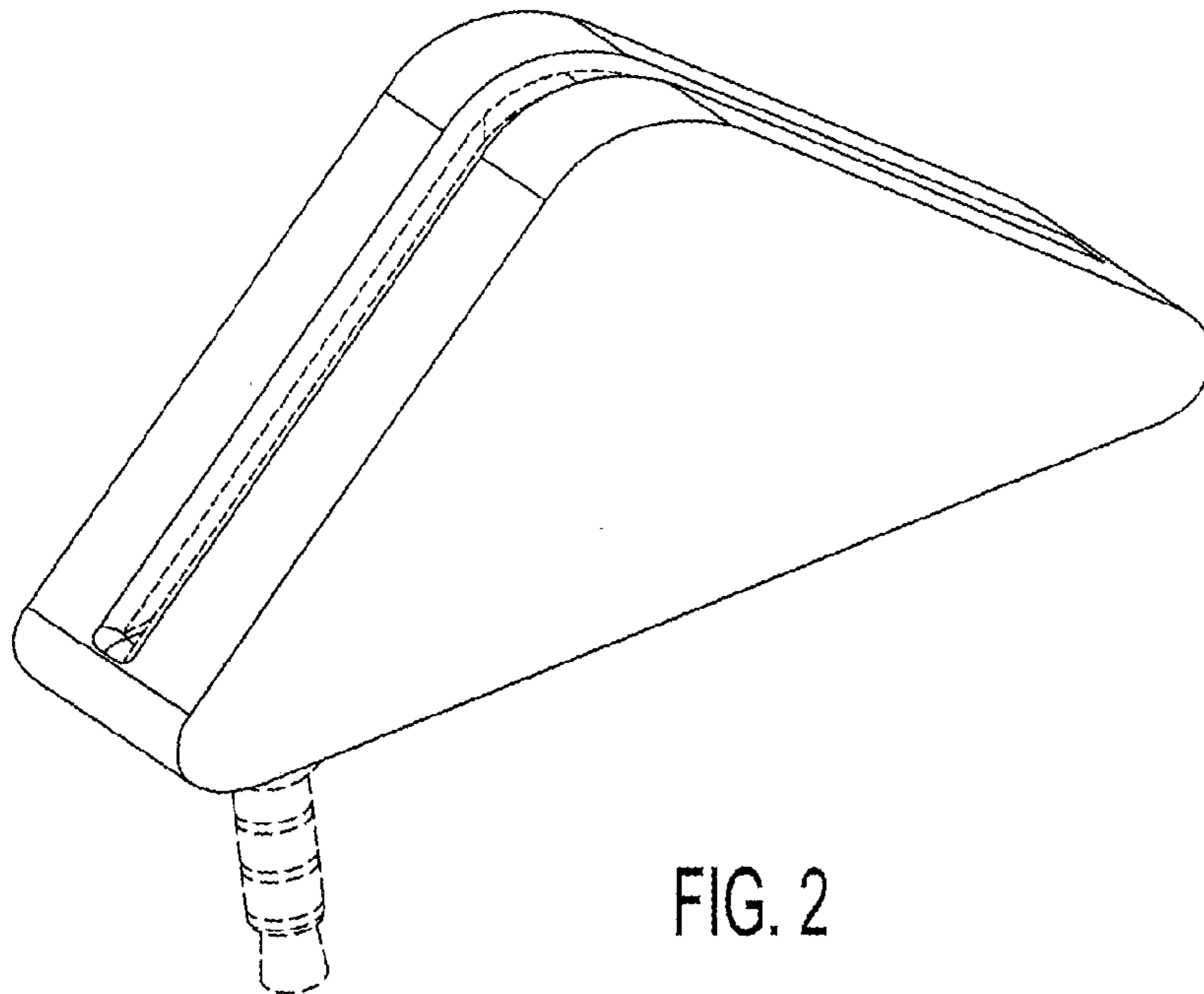


FIG. 2

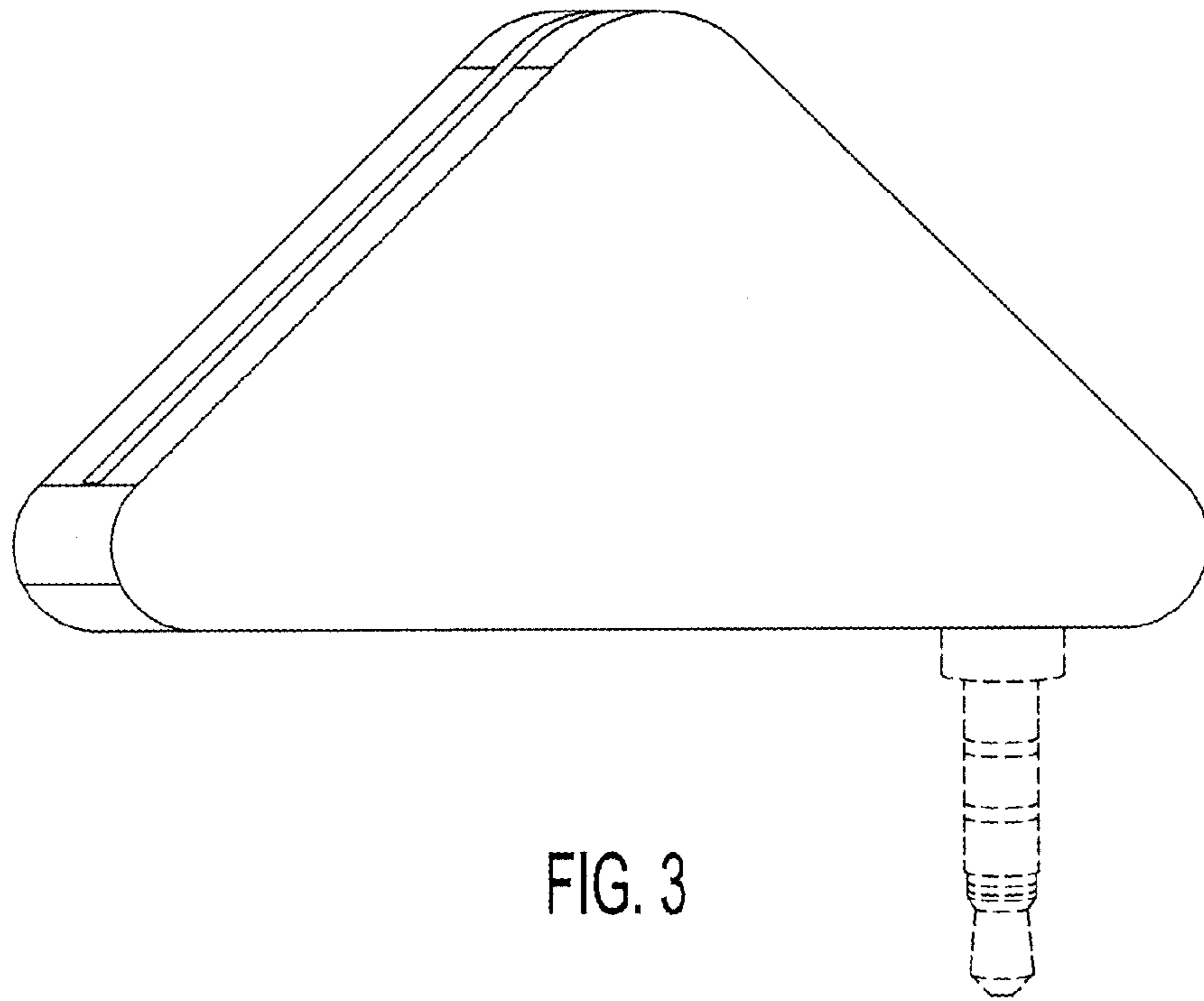


FIG. 3

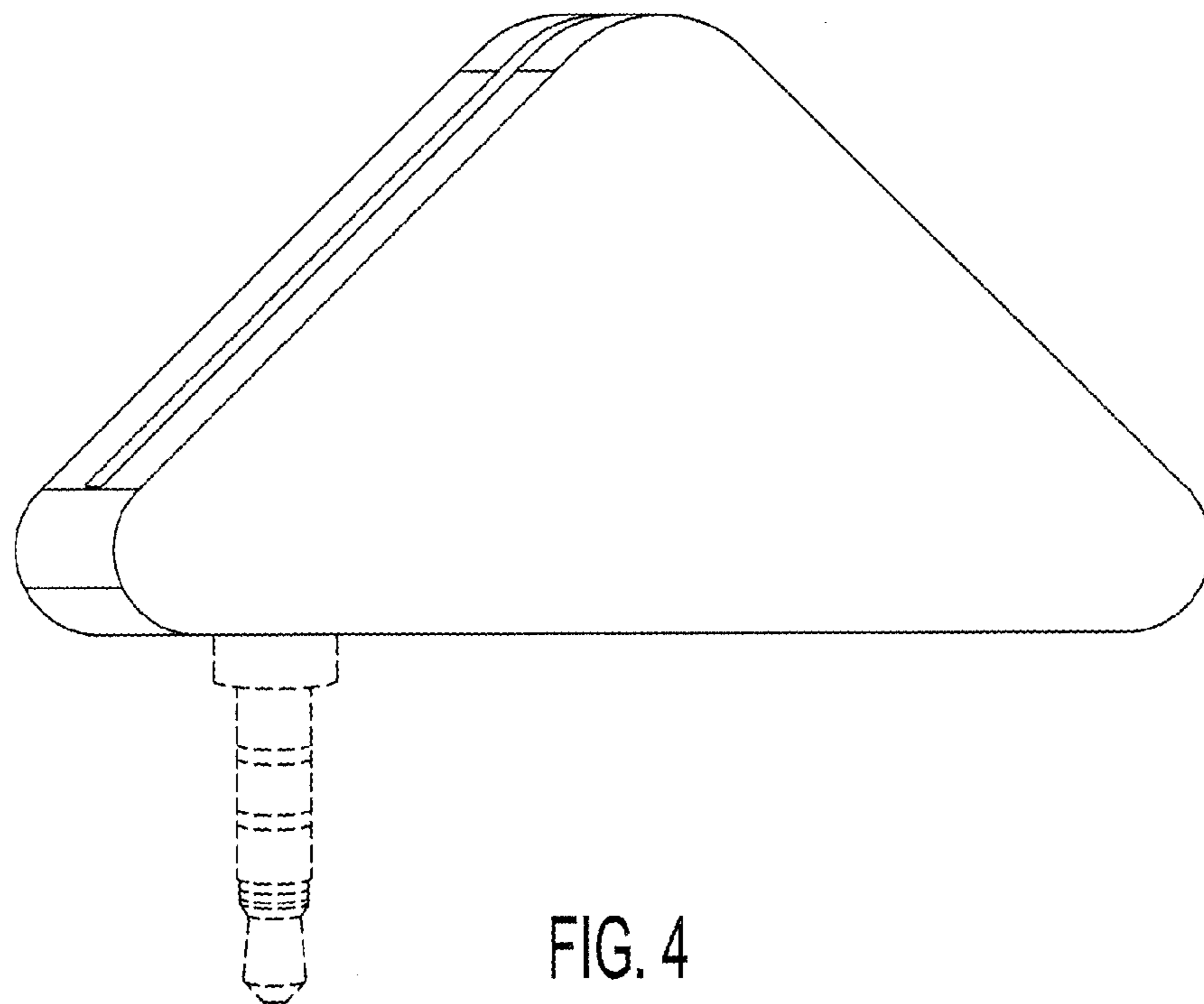


FIG. 4

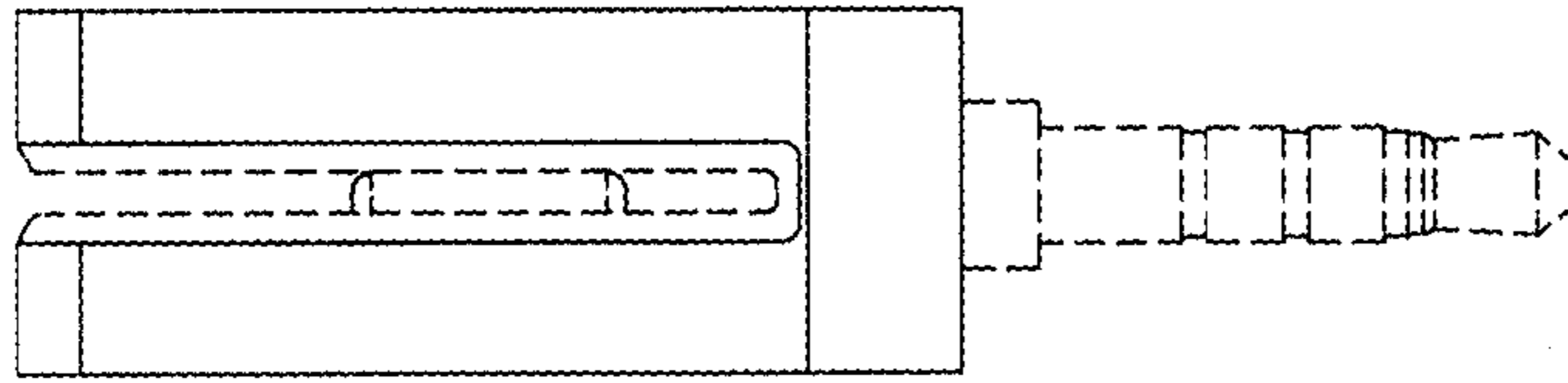


FIG. 6

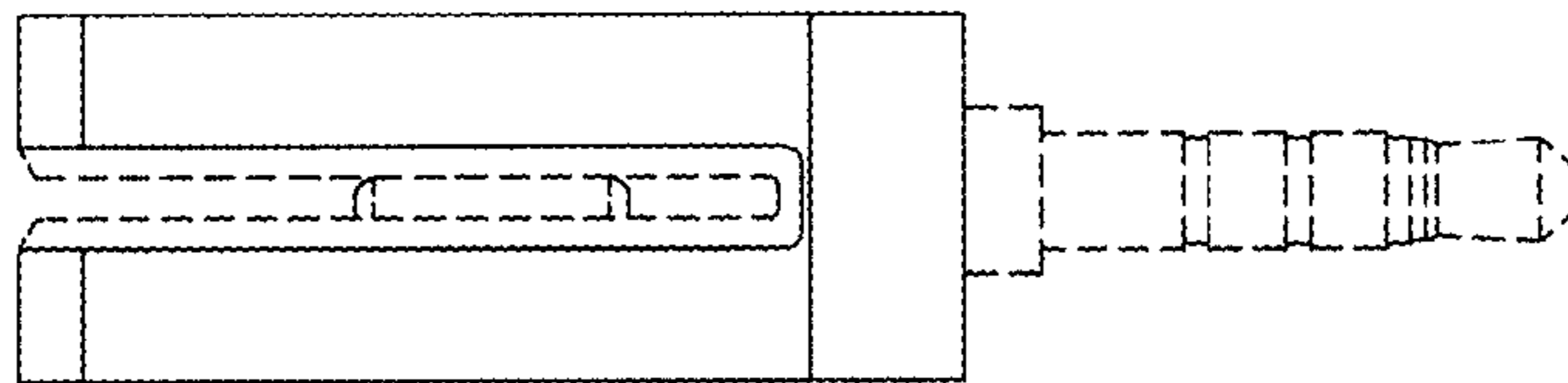


FIG. 5

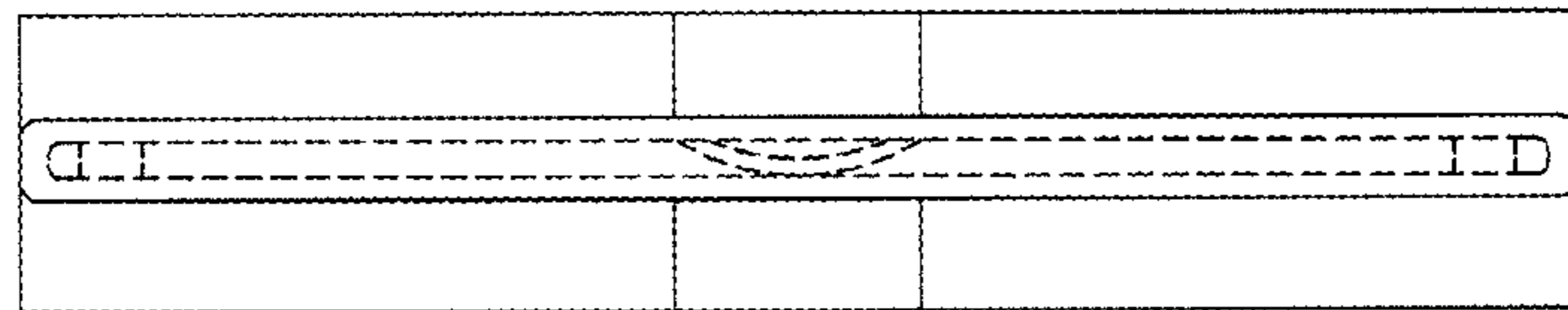


FIG. 7

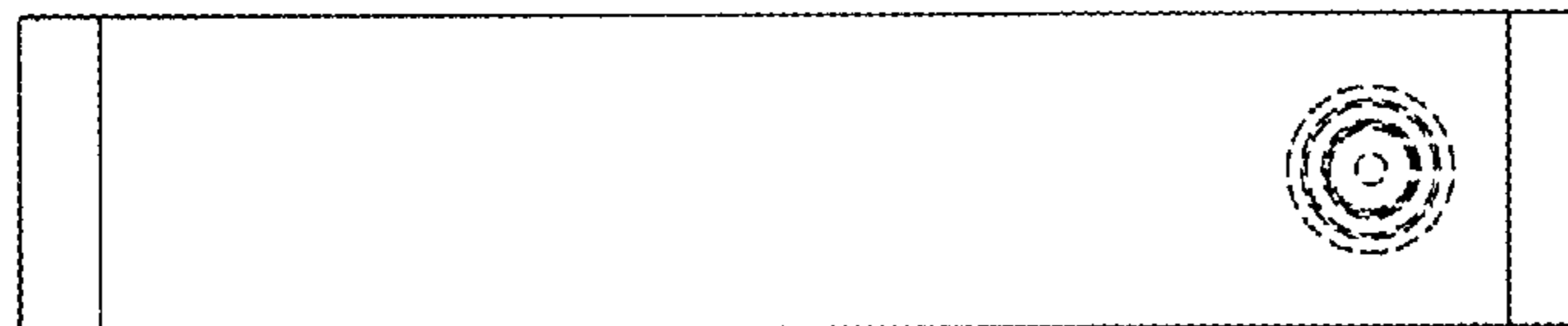


FIG. 8