

US00D767669S

(12) **United States Design Patent**
Johnson et al.

(10) **Patent No.:** **US D767,669 S**

(45) **Date of Patent:** **** Sep. 27, 2016**

(54) **ADJUSTABLE DISPLAY**
(71) Applicant: **Toshiba Global Commerce Solutions Holdings Corporation**, Tokyo (JP)
(72) Inventors: **Brad M. Johnson**, Raleigh, NC (US); **Seth T. Teeples**, Raleigh, NC (US); **Charles R. Kirk**, Raleigh, NC (US); **Edward Lee**, Taipei (TW); **Hawaii Xuan**, Taipei (TW)

D324,701 S * 3/1992 Capps D20/10
D333,147 S * 2/1993 Miyake D18/4.3
D336,112 S * 6/1993 Miyake D20/41
5,283,595 A * 2/1994 Krukovsky G09F 7/20
345/2.3
D346,830 S * 5/1994 Masujima D20/41
D356,601 S * 3/1995 Arakaki D20/41
D360,229 S * 7/1995 Caulk D20/41
D374,453 S * 10/1996 Yamaguchi D18/4.3
D387,345 S * 12/1997 Rosen D14/126

(Continued)

(73) Assignee: **Toshiba Global Commerce Solutions Holdings Corporation**, Tokyo (JP)

(**) Term: **14 Years**

(21) Appl. No.: **29/514,225**

(22) Filed: **Jan. 9, 2015**

(51) **LOC (10) Cl.** **18-01**

(52) **U.S. Cl.**
USPC **D18/4.3**; D18/12.3; D14/375; D20/41

(58) **Field of Classification Search**
USPC D18/4.1, 4.3, 4.5, 12, 12.1, 12.3, 56;
D14/371, 374-377, 332, 448, 451,
D14/452; D20/10, 41, 99
CPC G09F 9/372; G09F 9/375; G09F
2013/0418; G09F 7/20; G09F 15/0037
See application file for complete search history.

(56) **References Cited**

U.S. PATENT DOCUMENTS

3,335,512 A * 8/1967 Newman G09F 9/375
345/111
D247,641 S * 3/1978 Clary D18/12.3
D276,919 S * 12/1984 Sakamoto D18/4.3
D294,364 S * 2/1988 Nishibori D18/4.3
D294,365 S * 2/1988 Nishibori D12/187
D305,646 S * 1/1990 Kato D14/375
D305,647 S * 1/1990 Kato D14/374
D308,078 S * 5/1990 Dallal D20/10
D308,448 S * 6/1990 Beaulieu D20/10

OTHER PUBLICATIONS

IBM 73G1190 POS Checkout Register. ebay.com. (online image) 1 pg. [retrieved on Jul. 13, 2016]. Retrieved from Internet: image URL: [http://i.ebayimg.com/00/s/OTAwWDkwMA==/z/EooAAOSwaZdXH4Lq/\\$_57.jpg](http://i.ebayimg.com/00/s/OTAwWDkwMA==/z/EooAAOSwaZdXH4Lq/$_57.jpg)*

(Continued)

Primary Examiner — Susan Bennett Hattan
Assistant Examiner — Marie Fast Horse
(74) *Attorney, Agent, or Firm* — Olive Law Group, PLLC

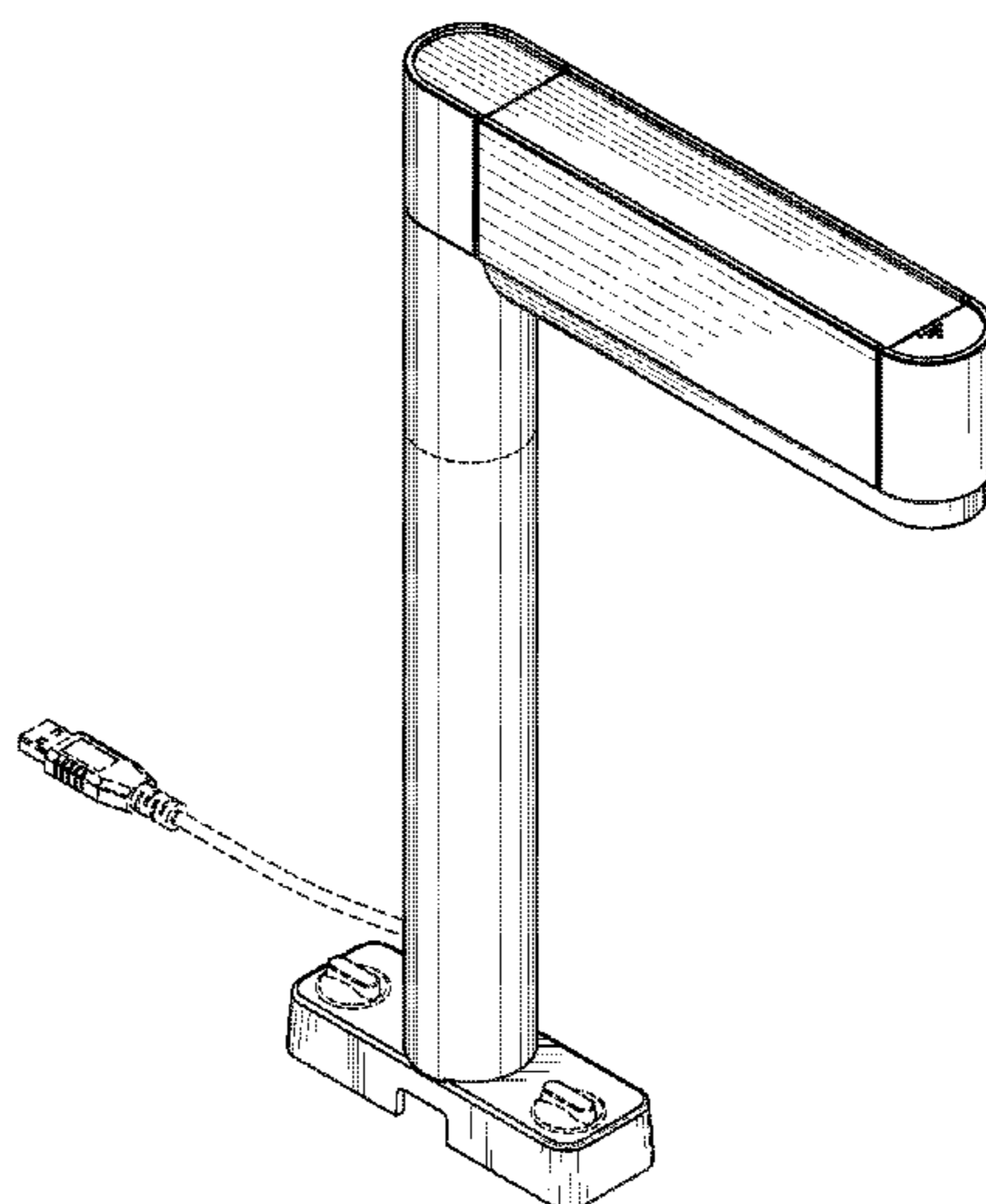
(57) **CLAIM**

We claim the ornamental design for an adjustable display, as shown and described.

DESCRIPTION

FIG. 1 is a top perspective view of an adjustable display according to our new design;
FIG. 2 is a bottom perspective view thereof;
FIG. 3 is a side view thereof;
FIG. 4 is a front view thereof;
FIG. 5 is a side view that opposed the side view of FIG. 3;
FIG. 6 is a top view thereof; and,
FIG. 7 is a back view thereof.
The broken lines are included for purpose of illustrating portions of the adjustable display that form no part of the claimed design.

1 Claim, 4 Drawing Sheets



(56)

References Cited

U.S. PATENT DOCUMENTS

D405,443	S *	2/1999	Marsh	D12/345
D417,692	S *	12/1999	Mizusugi	D18/12.3
D425,036	S *	5/2000	Copus	D14/126
D457,918	S *	5/2002	Linko, Sr.	D20/10
D462,983	S *	9/2002	Lum	D18/12.3
D470,892	S *	2/2003	Linko, Sr.	D20/41
D479,277	S *	9/2003	Strunk	D20/41
D491,609	S *	6/2004	Linko, Sr.	D20/41
D501,228	S *	1/2005	Santana	D20/41
D543,231	S *	5/2007	Ando	D18/4.3
D563,398	S *	3/2008	Wohlford	D14/239
D579,886	S *	11/2008	Calverley	D14/126
D624,062	S *	9/2010	Kasuga	D14/239
D625,302	S *	10/2010	Kasuga	D14/239
2006/0022970	A1 *	2/2006	Lum	G06F 1/266 345/211
2008/0034631	A1 *	2/2008	Kim	G09F 7/20 40/607.04
2015/0199925	A1 *	7/2015	Pulos	G09F 7/20 40/594

OTHER PUBLICATIONS

Datalogic Pole Display. frontierpc.com. (online image) 1 pg. [retrieved on Jul. 13, 2016]. Retrieved from Internet: <https://www.frontierpc.com/point-of-sale/pole-displays/pole-display/datalogic/pole-display-11-0329-1021082992.html> image URL: <https://content.etilize.com/Large/1021082992.jpg>.*

AveryBerkel_IX100_1X202. pos4business.com(online PDF) 2 pgs. 2008 [retrieved on Jul. 13, 2016]. Retrieved from Internet: http://www.pos4business.com/index.php?1=product_detail&p=143 PDF URL: http://www.pos4business.com/brochures/products/AveryBerkel_IX100_1X202.pdf.*

IBM POS Register Customer Display PN 73G1190.ebay.com.(online image) 1pg. Apr. 9, 2014 [retrieved on Jul. 13, 2016]. Retrieved: http://www.ebay.com/itm/IBM-POS-REGISTER-CUSTOMER-DISPLAY-PN-73G1190-NEW/400825975119?hash=item5d5317014f:g:oPwAAOSw0vBUZkcN&_trksid=p2349526.m3874.17936 image URL: <http://i.ebayimg.com/images/g/oPwAAOSw0vBUZkcN/s-I1600.jpg>.*

* cited by examiner

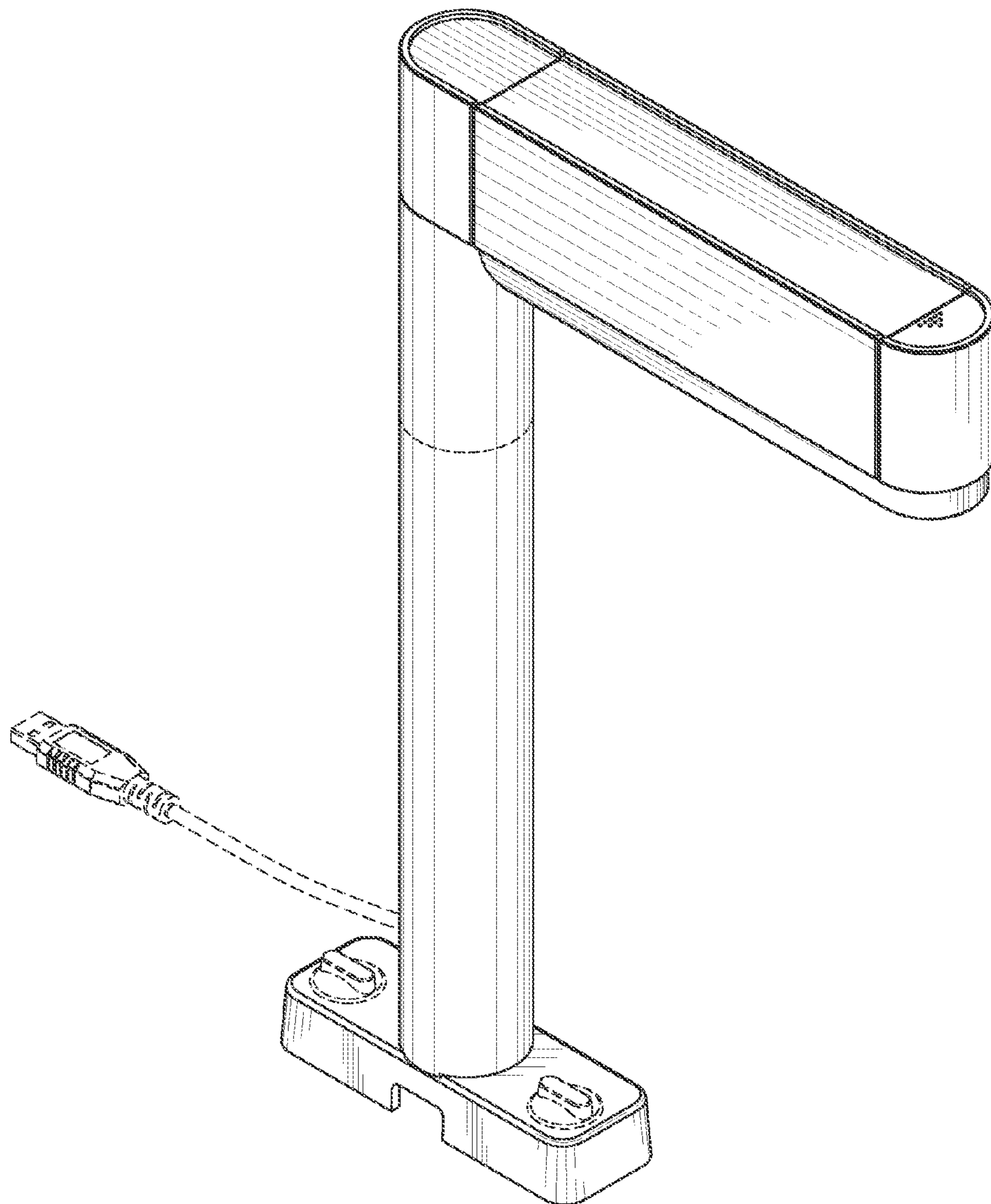


FIG. 1

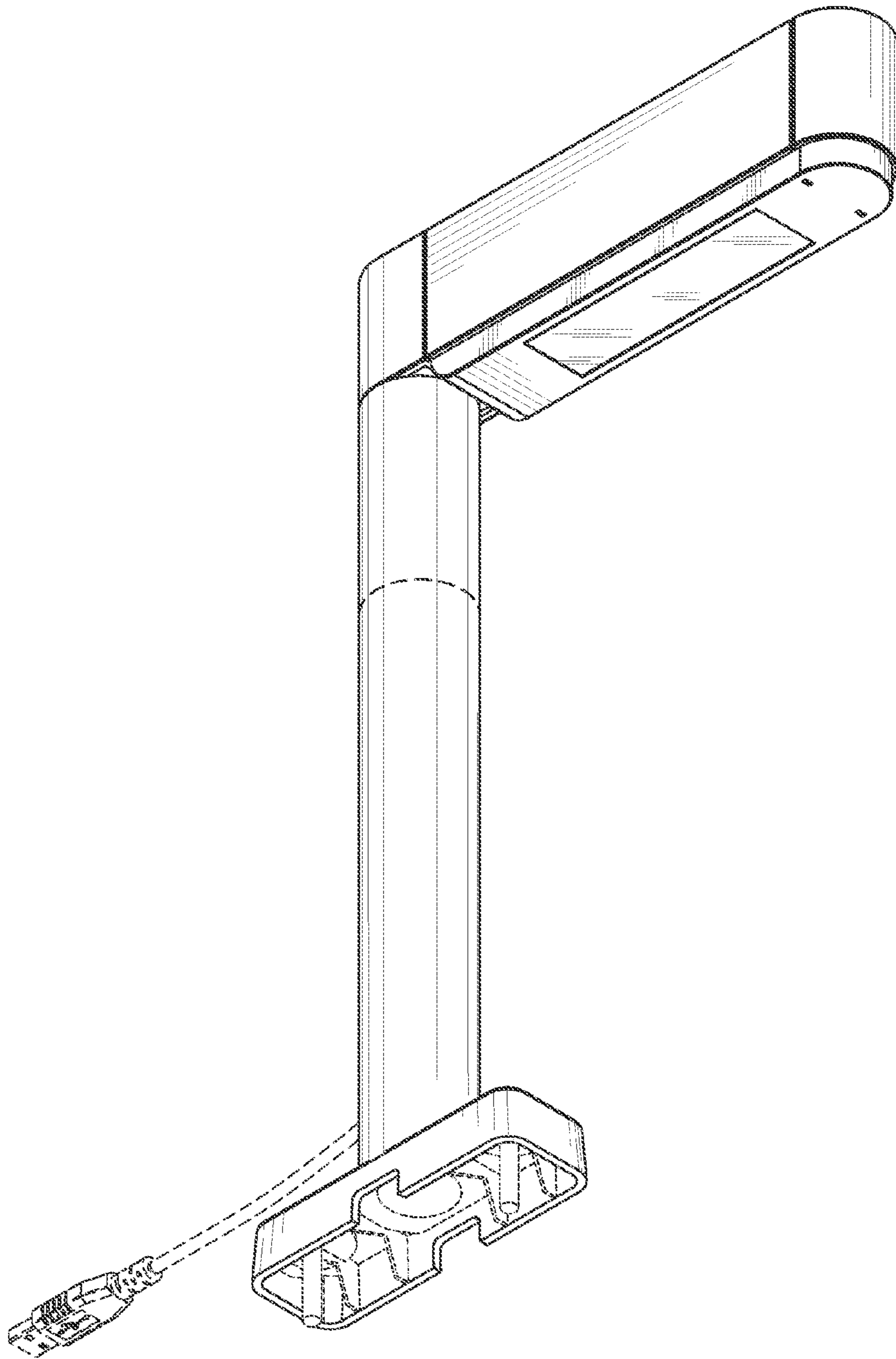


FIG. 2

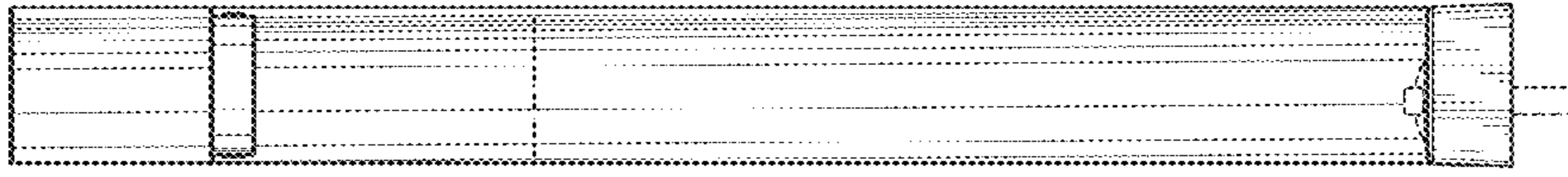


FIG. 3

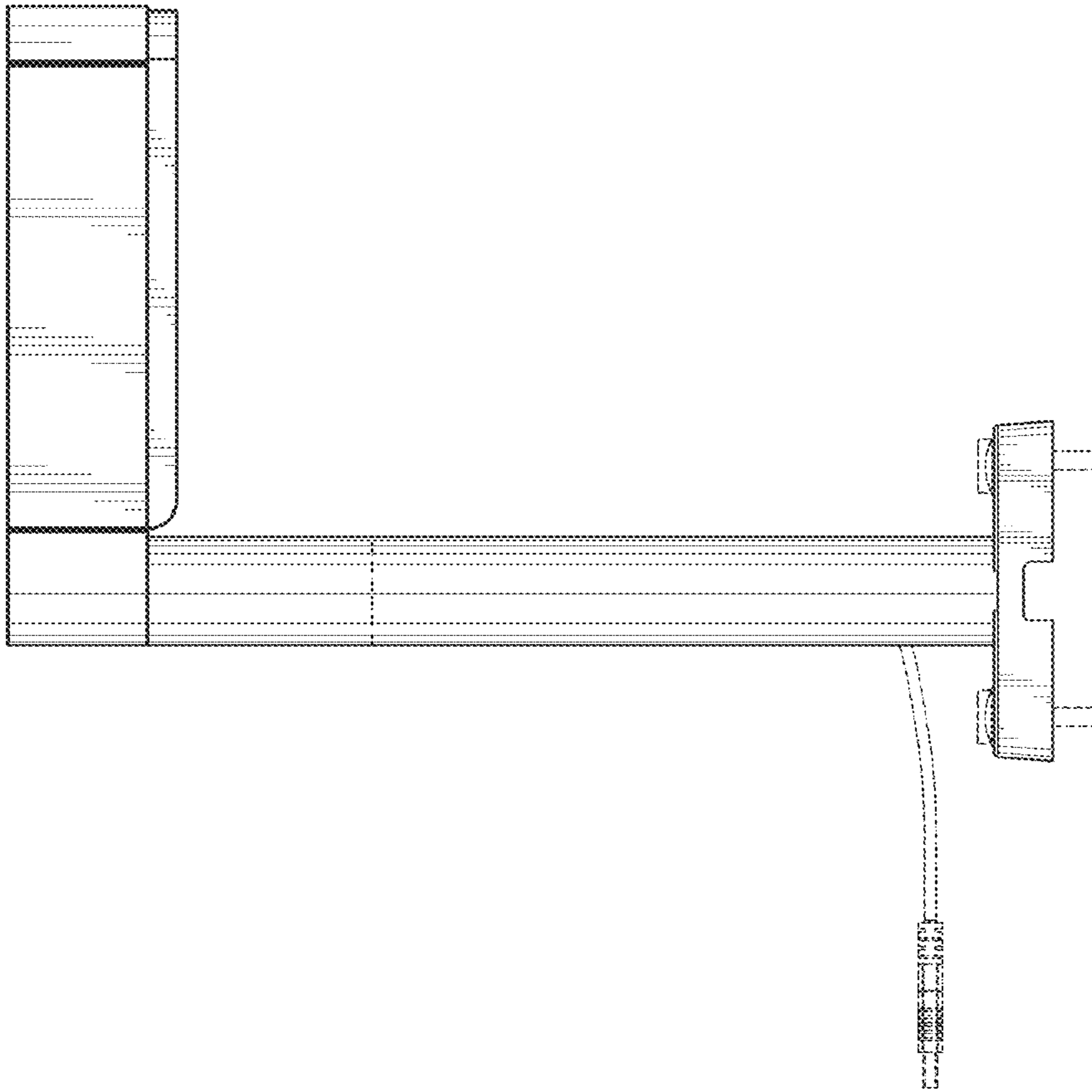


FIG. 4

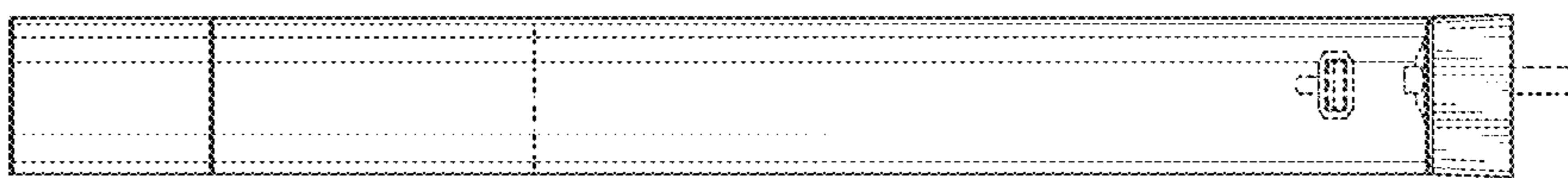


FIG. 5

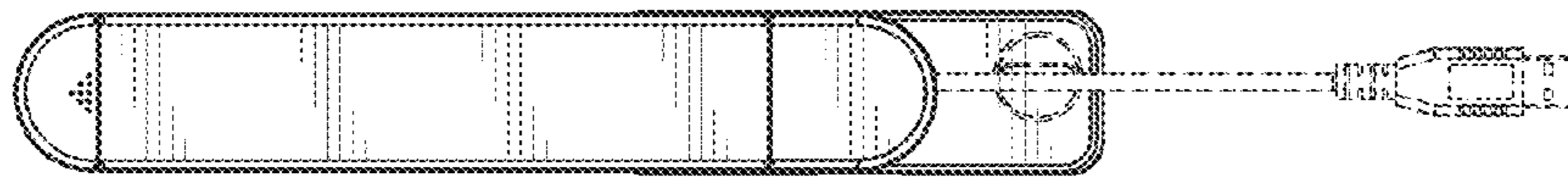


FIG. 6

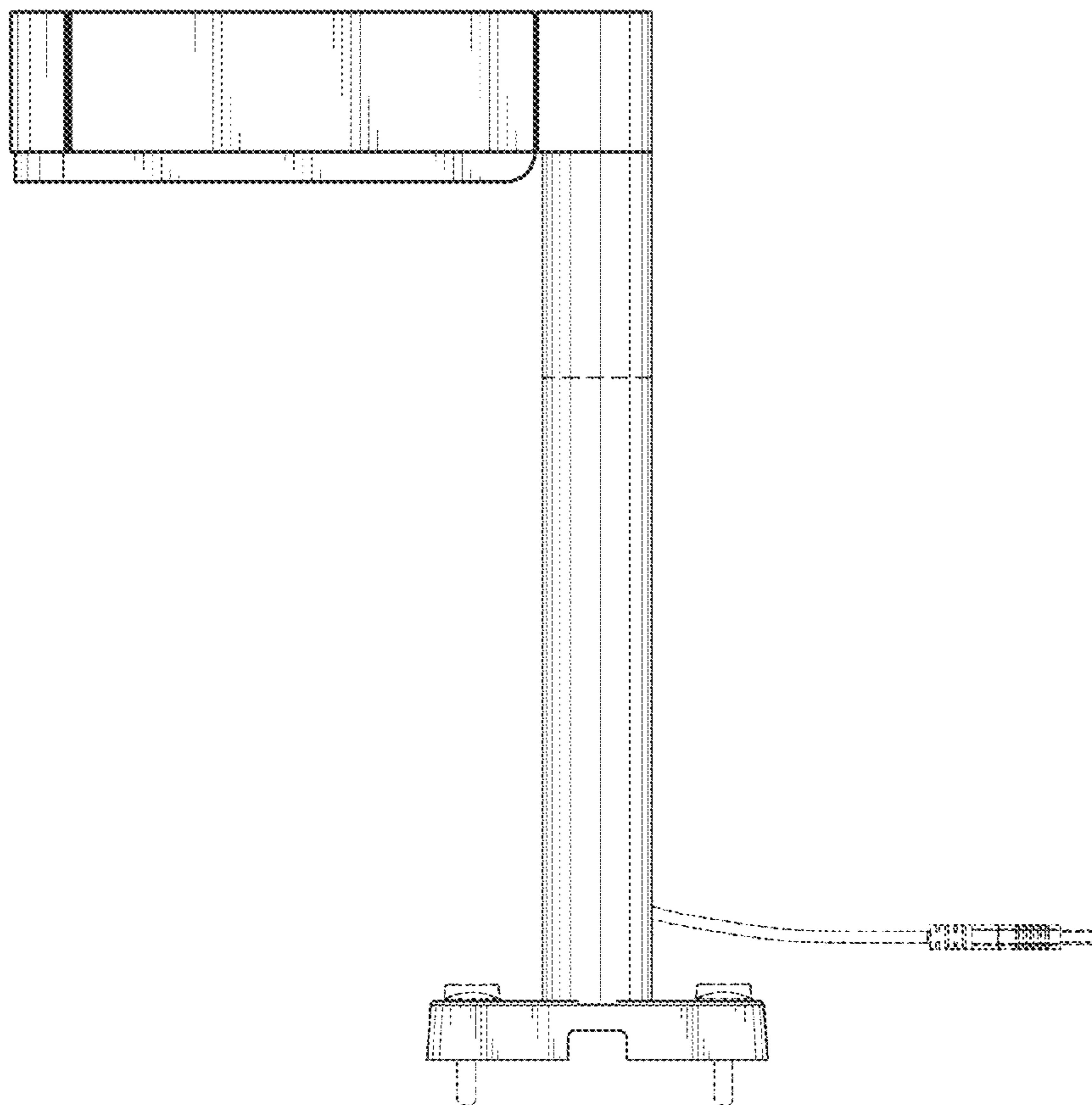


FIG. 7