



US00D767668S

(12) **United States Design Patent** (10) **Patent No.:** **US D767,668 S**
van Slooten et al. (45) **Date of Patent:** **** Sep. 27, 2016**

(54) **MONEY COUNTER**
(71) Applicant: **Solid Control Holding B.V.**,
Zoetermeer (Zuid-Holland) (NL)
(72) Inventors: **Diederik van Slooten**, The Hague
(NL); **Michel Jean Henri Tiessens**,
Zoetermeer (NL)
(73) Assignee: **Solid Control Holding B.V.**,
Zoetermeer (Zuid-Holland) (NL)

D338,905 S * 8/1993 Helgeson D18/3.3
D369,984 S * 5/1996 Larsen D10/97
5,875,259 A * 2/1999 Mennie B65H 3/063
382/135
D427,623 S * 7/2000 Kuwada D18/3.1
D439,604 S * 3/2001 Takagi D18/3.3
D452,973 S * 1/2002 Kuwada D18/3.3
6,493,461 B1 * 12/2002 Mennie G07D 7/162
382/135
6,578,713 B1 * 6/2003 Matsuura B65H 29/60
209/534

(Continued)

(**) Term: **14 Years**

(21) Appl. No.: **29/525,421**

(22) Filed: **Apr. 29, 2015**

(30) **Foreign Application Priority Data**

Oct. 30, 2014 (EP) 002568394-0001
Oct. 30, 2014 (EP) 002568394-0002

(51) **LOC (10) Cl.** **18-01**

(52) **U.S. Cl.**
USPC **D18/3.3**; D10/97

(58) **Field of Classification Search**
USPC D18/3.3, 3.1, 3.2, 4.1, 4.4, 12, 12.1, 2.2,
D18/12.3, 46, 47; D14/462, 469; D10/96,
D10/97; D99/28, 34, 35, 43, 99; D19/65,
D19/86, 100
CPC G07D 11/0003; G07D 11/0021; G07D
11/0042; G07D 11/0081; G07D 11/0084;
G07D 11/00; G07D 11/0006; G07D 11/0009;
G07G 1/00; G07G 1/0009; G07G 1/0036;
G07G 1/10; G07G 1/12

See application file for complete search history.

(56) **References Cited**

U.S. PATENT DOCUMENTS

D252,074 S * 6/1979 Hams D10/97
D264,847 S * 6/1982 DiBlasio D10/97
D274,520 S * 7/1984 Bressler D18/49
D294,834 S * 3/1988 McDonald D18/3.3

OTHER PUBLICATIONS

Safescan 2250 Banknote Counter. barringtonsecurity.co.uk. [online
PDF] 3 pages. Upload Date Jun. 25, 2013 [retrieved on Jul. 18,
2016] [http://www.barringtonsecurity.co.uk/p/359/safescan-2250-
bank-note-counter-machine-with-3-point-counterfeit-detection](http://www.barringtonsecurity.co.uk/p/359/safescan-2250-bank-note-counter-machine-with-3-point-counterfeit-detection)
PDF URL: [http://www.barringtonsecurity.co.uk/brochures/
safescan%202250%20Banknote%20Counter.pdf](http://www.barringtonsecurity.co.uk/brochures/safescan%202250%20Banknote%20Counter.pdf).*

(Continued)

Primary Examiner — Susan Bennett Hattan

Assistant Examiner — Marie Fast Horse

(74) *Attorney, Agent, or Firm* — Abelman, Frayne & Schwab

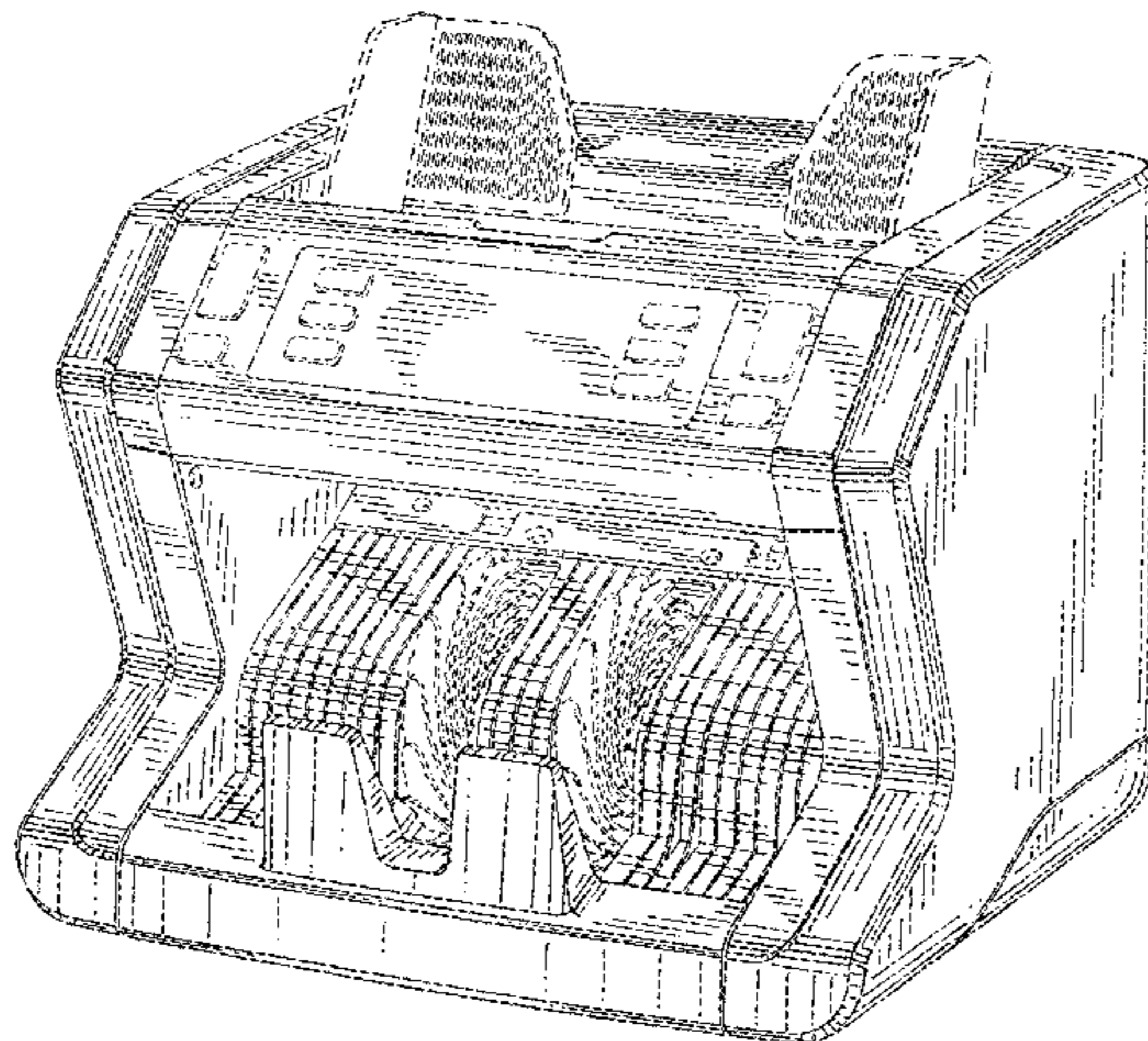
(57) **CLAIM**

The ornamental design for a money counter, as shown and described.

DESCRIPTION

FIG. 1 is a front, top, and right side perspective view of a money counter showing the new design;
FIG. 2 is a top plan view thereof;
FIG. 3 is a front elevation view thereof;
FIG. 4 is a left elevation view thereof, the right elevation being a mirrored image thereof; and,
FIG. 5 is a rear elevation view thereof.
The broken lines in the drawings depict portions of the money counter that form no part of the claimed design.

1 Claim, 5 Drawing Sheets



(56)

References Cited

U.S. PATENT DOCUMENTS

6,782,987 B1 * 8/2004 Abe G07D 11/0084
194/207
6,908,029 B2 * 6/2005 Numata G07D 7/04
235/375
D517,115 S * 3/2006 Kuwada D18/3.3
D646,711 S * 10/2011 Funato D18/3.3
D677,593 S * 3/2013 Shih D10/97
9,141,876 B1 * 9/2015 Jones G06K 9/60
9,208,632 B2 * 12/2015 Sato G07D 7/168
2002/0015145 A1 * 2/2002 Numata G07D 7/121
356/71
2002/0153412 A1 * 10/2002 Numata G07D 7/04
235/375
2009/0028285 A1 * 1/2009 Morino G07D 11/00
377/8
2009/0090660 A1 * 4/2009 Matsuura G07D 7/2058
209/534
2009/0188974 A1 * 7/2009 Haycock G07D 7/00
235/379
2010/0320057 A1 * 12/2010 Sato G07D 7/168
194/302
2010/0320678 A1 * 12/2010 Suzuki G07D 11/0084
271/265.01
2015/0138343 A1 * 5/2015 Keh G07D 11/0084
348/131

OTHER PUBLICATIONS

Business Pro Bill Counter with UV MG IR ST Detection AB6000
AccuBANKER. youtube.com. [online Video] 2 pages. Upload Date

Jun. 17, 2010 [retrieved on Jul. 18, 2016] <https://www.youtube.com/watch?v=pcKIOk7fuR8>.*

Bill Counter 2829b. img.xuijs.com. [online Image] 1 page. [retrieved on Jul. 18, 2016] http://img.xuijs.com/pic/z23b4609-0x0-1/bill_counter_2829b_uv_mg_new_lcd_bill_counter.jpg.*

Bank-Note Counting Machines. (Design -© Questel). orbit.com [online PDF] 15 pages. Print Dates range from Nov. 15, 2000 to Mar. 29, 2016 [retrieved on Jul. 14, 2016] <https://sobjprd.questel.fr/export/QPTUJ214/pdf2/249840b4-5cc9-44a9-a4ef-0fe4aad11001-002555.pdf>.*

Olympia Geldprüf-und Geldzählgerät NC 520. produktinfo.conrad.com. [online PDF] 1 pg. Uploaded Jun. 2013 [retrieved Jul. 18, 2016] <http://www.conrad.com/ce/en/product/1027247/Counterfeit-money-detector-Cash-counter-Olympia> PDF URL: http://www.produktinfo.conrad.com/datenblaetter/1000000-1099999/001027247-da-01-de-GELDZAEHL_UND_PRUEFGERAET_NC_520.pdf.*

Heavy-duty Multi-Currency Counter/Mix Value Money Counting. alibaba.com. [online] 1 page. Transaction Date Dec. 2014 [retrieved on Jul. 18, 2016] http://www.alibaba.com/product-detail/-Heavy-duty-Multi-Currency-Counter_60438518161.html.*

JBYDKX088B series Intellectual Verticle Note Counting MACHINE ISO9001-2008. kaixun.com.[online] 2 pages. Upload Date Sep. 25, 2012 [retrieved on Jul. 18, 2016] http://www.kaixun.com/html/Products/Financial equipments/Money_Counter/Money_Counter148.html PDF URL: <http://www.kaixun.com/upload/file/20120616/20120616181200.pdf>.*

* cited by examiner

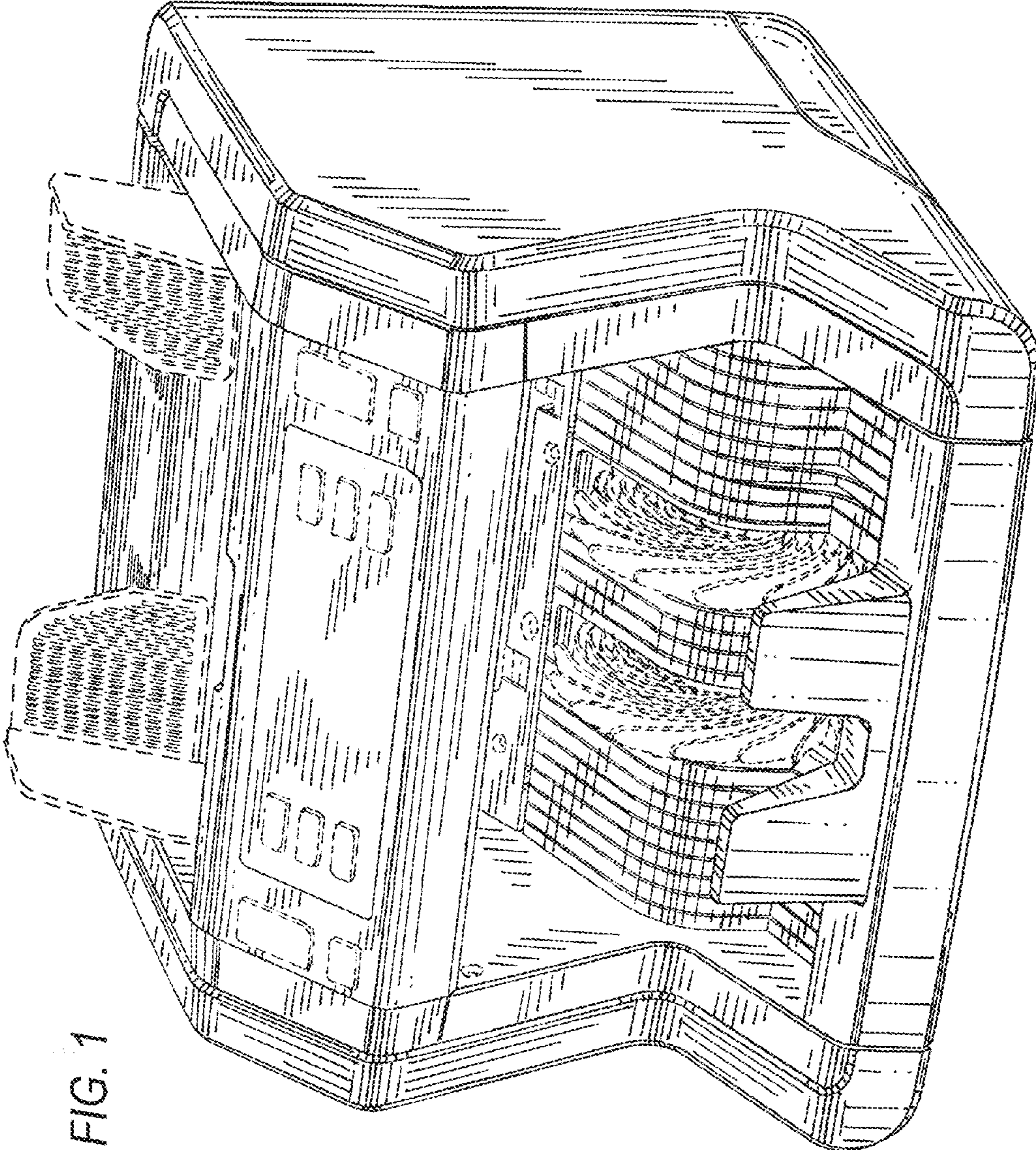


FIG. 1

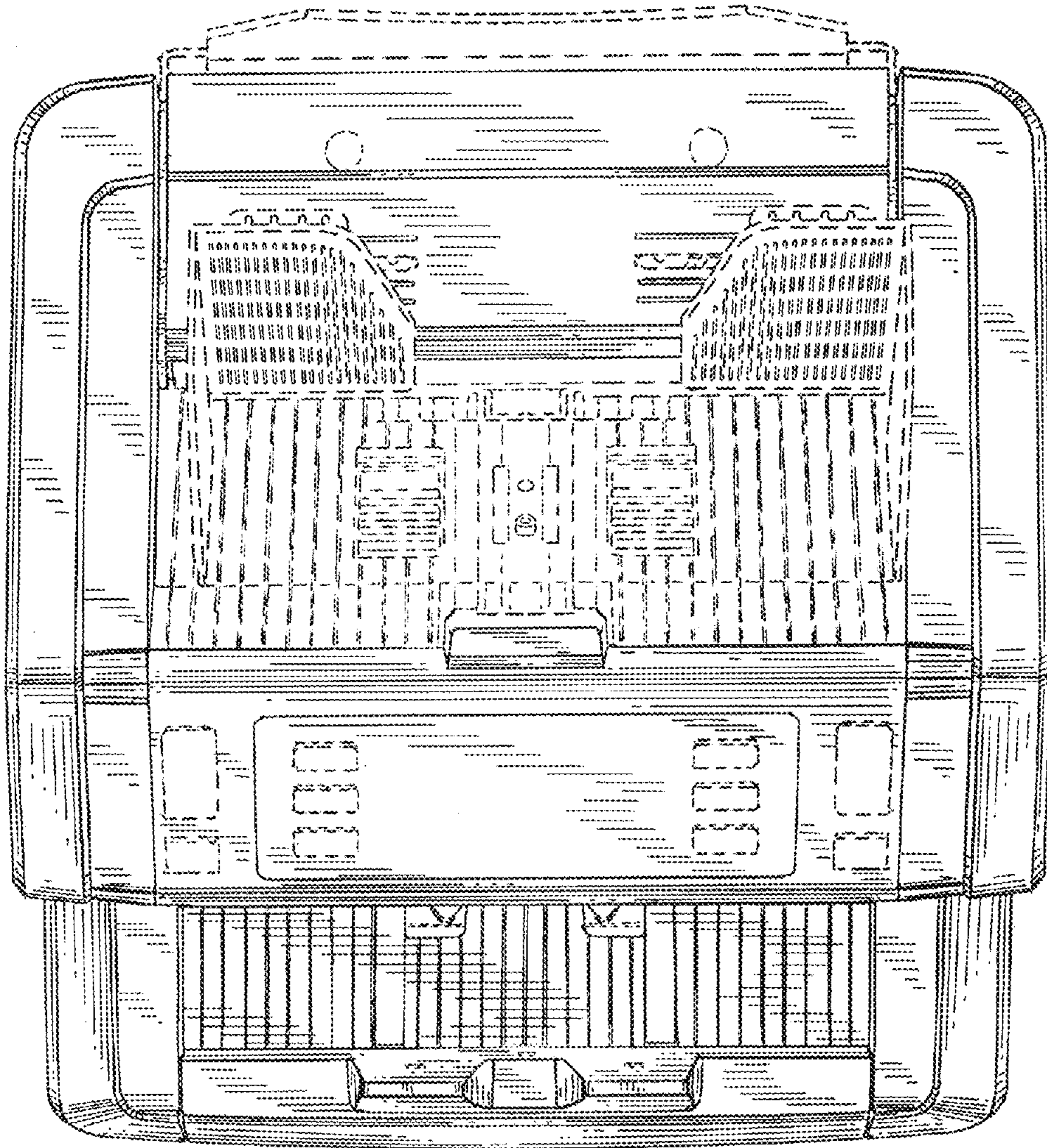


FIG. 2

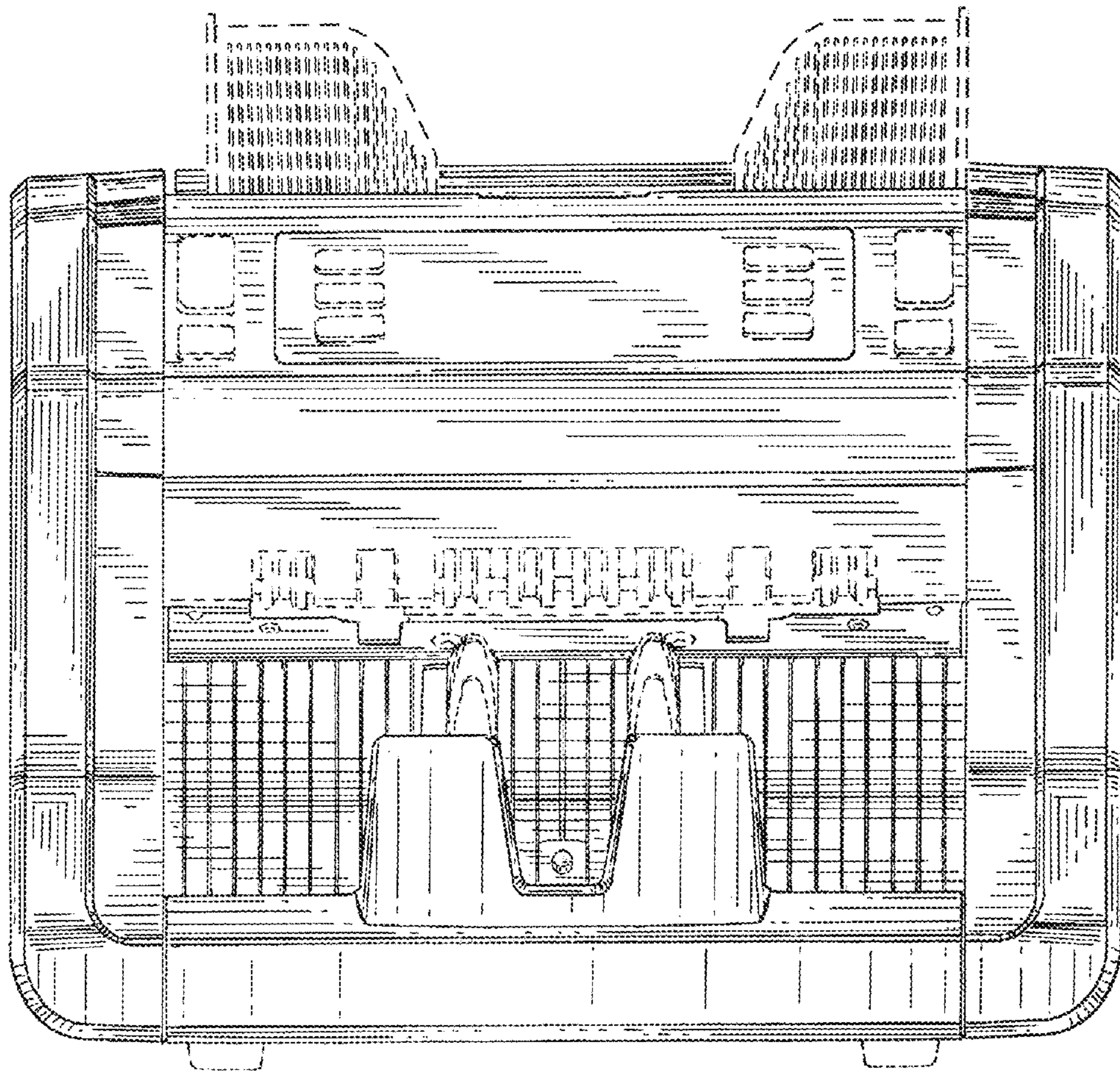
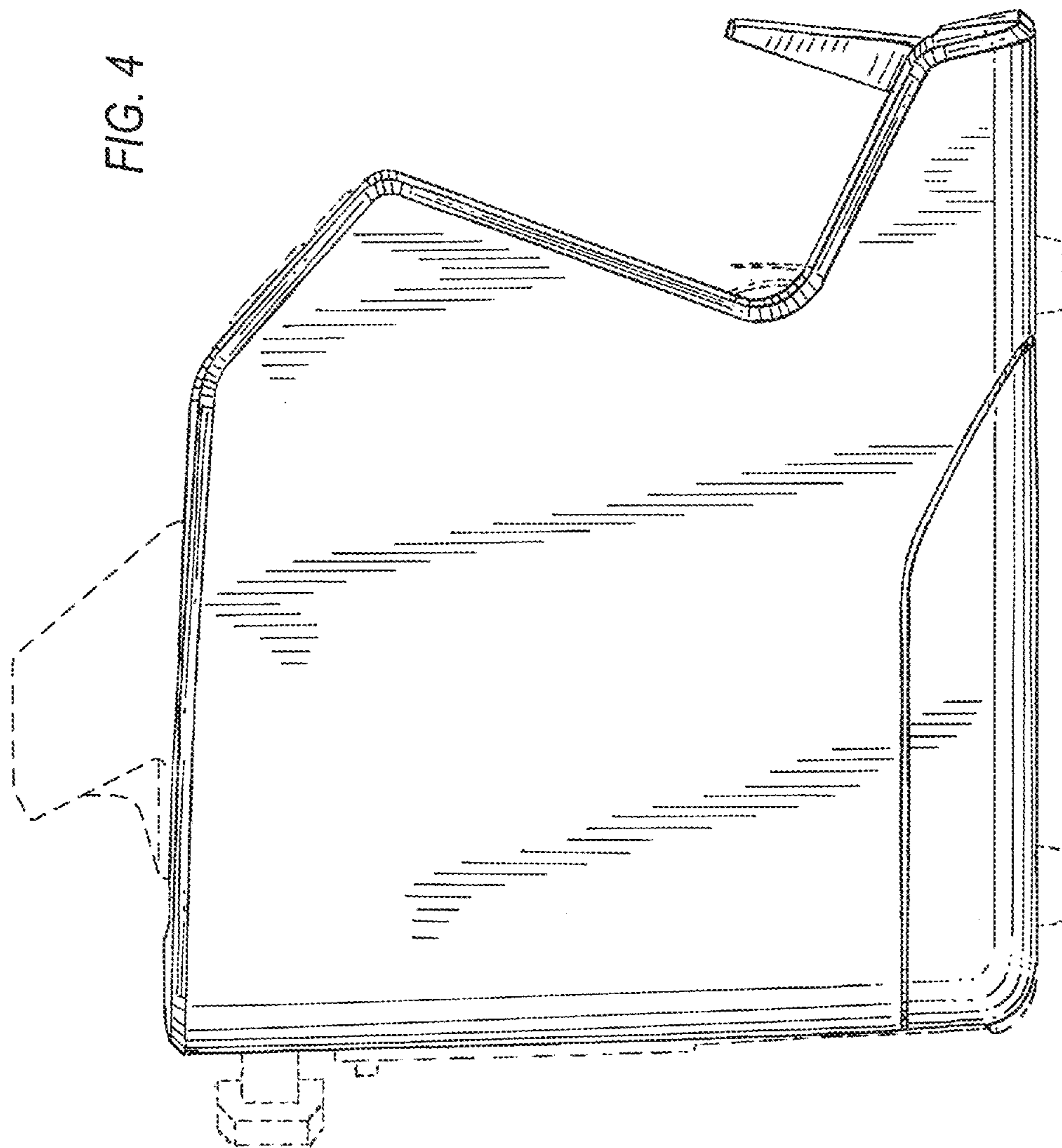


FIG. 3



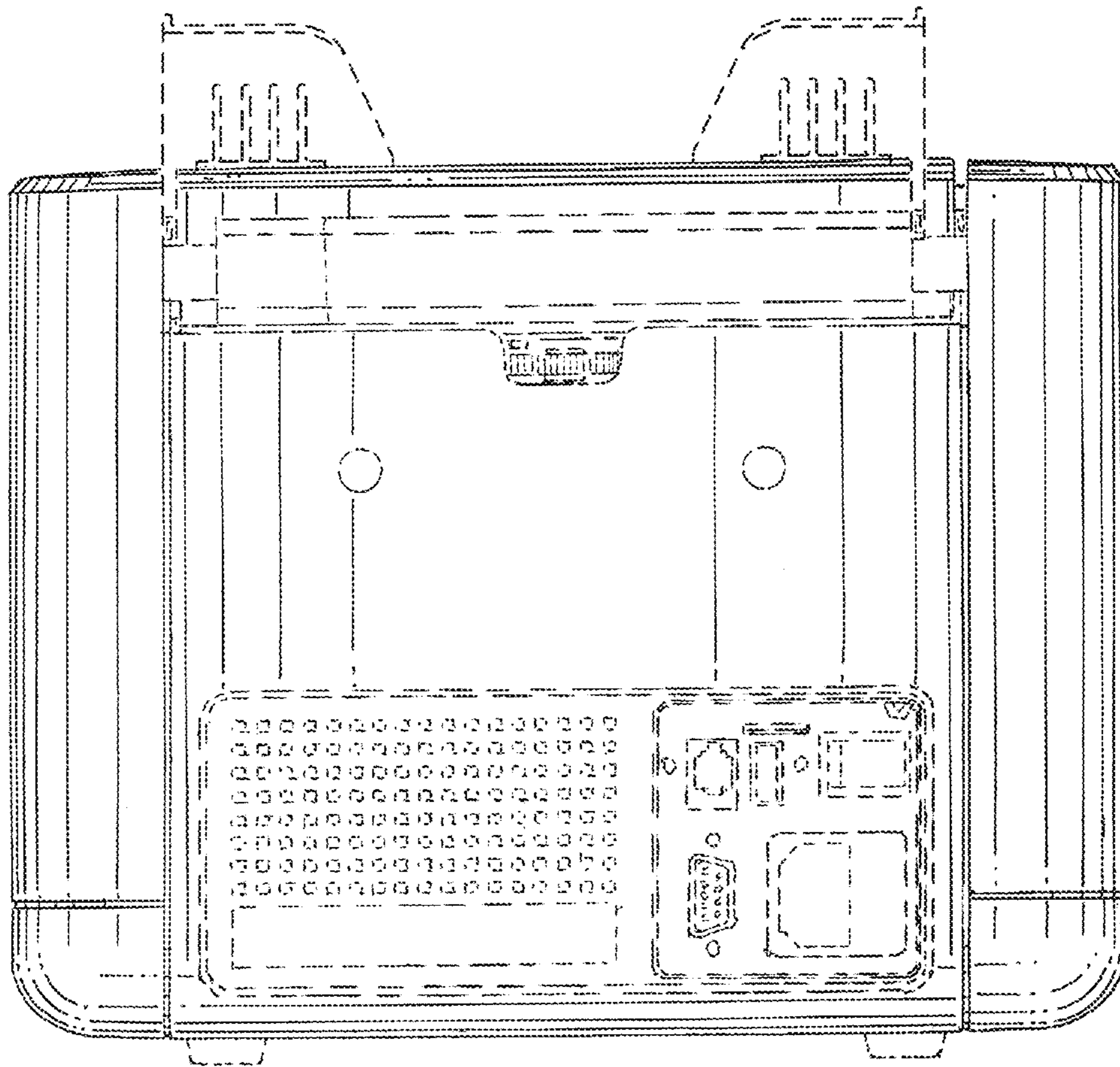


FIG. 5