

US00D767664S

(12) **United States Design Patent**
Polito et al.

(10) **Patent No.:** **US D767,664 S**
(45) **Date of Patent:** **** Sep. 27, 2016**

(54) **ARTICULATING EXTENSION PIECE**

5,664,750 A * 9/1997 Cohen 248/231.71
D580,474 S * 11/2008 Lee et al. D16/242
D665,007 S * 8/2012 Gooch D16/242
D712,955 S * 9/2014 Hrbacek D16/237

(71) Applicant: **DayMen US, Inc.**, Petaluma, CA (US)

(72) Inventors: **Fred Italo Polito**, Santa Cruz, CA
(US); **Noah Balmer**, Oakland, CA
(US); **David Ethan Yao**, San Francisco,
CA (US)

(73) Assignee: **Daymen US, Inc.**, Petaluma, CA (US)

(**) Term: **14 Years**

(21) Appl. No.: **29/464,240**

(22) Filed: **Aug. 14, 2013**

(51) **LOC (10) Cl.** **16-05**

(52) **U.S. Cl.**
USPC **D16/242**

(58) **Field of Classification Search**
USPC D16/205, 208, 211, 214, 218–220, 235,
D16/237–250, 302, 303; D8/354, 363,
D8/394–396; D14/217, 251, 253, 447, 452
CPC G03B 17/14; G03B 17/26; G03B 17/30;
G03B 17/56; G03B 17/561–17/568; G03B
21/54; F16M 11/14; F16M 11/26; F16M
13/04; H04N 5/2254

See application file for complete search history.

(56) **References Cited**

U.S. PATENT DOCUMENTS

D222,118 S * 9/1971 Nakatani D16/244
D278,913 S * 5/1985 Hanke D16/242
D281,073 S * 10/1985 Hanke D16/245
D337,333 S * 7/1993 Turk D14/251
D382,286 S * 8/1997 Doran D16/242

OTHER PUBLICATIONS

Joby Flash Clamp & Locking Arm. [online] Retrieved Feb. 7, 2015
from URL: <http://www.amazon.com/Joby-Flash-Clamp-amp-Locking/dp/B00JX0LG6U/ref=sr_1_11?s=electronics&ie=UTF8&qid=1423326250&sr=1-11&keywords%E2%80%A6>.*

* cited by examiner

Primary Examiner — Vy Koenig

(74) *Attorney, Agent, or Firm* — Michael A. Guth

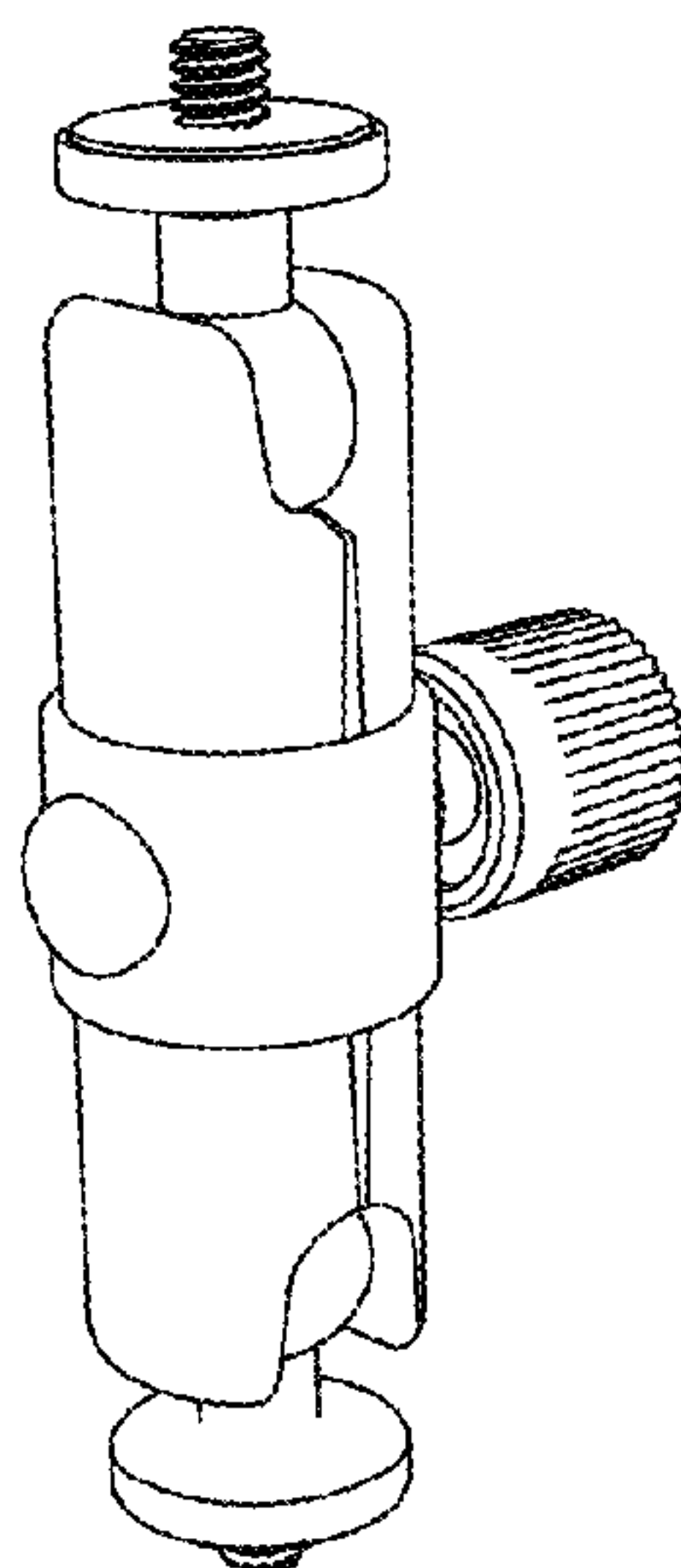
(57) **CLAIM**

The ornamental design for an articulating extension piece, as shown and described.

DESCRIPTION

FIG. 1 is a raised perspective view of an articulating extension piece showing our new design.
FIG. 2 is a right side view of an articulating extension piece. The left side view is mirror image of the right side view.
FIG. 3 is a rear view of an articulating extension piece.
FIG. 4 is a front view of an articulating extension piece.
FIG. 5 is a top view of an articulating extension piece.
FIG. 6 is a bottom view of an articulating extension piece; and,
FIG. 7 is a perspective view of an articulating extension piece.
The broken lines shown represent environmental subject matter and form no part of the claimed design.

1 Claim, 6 Drawing Sheets



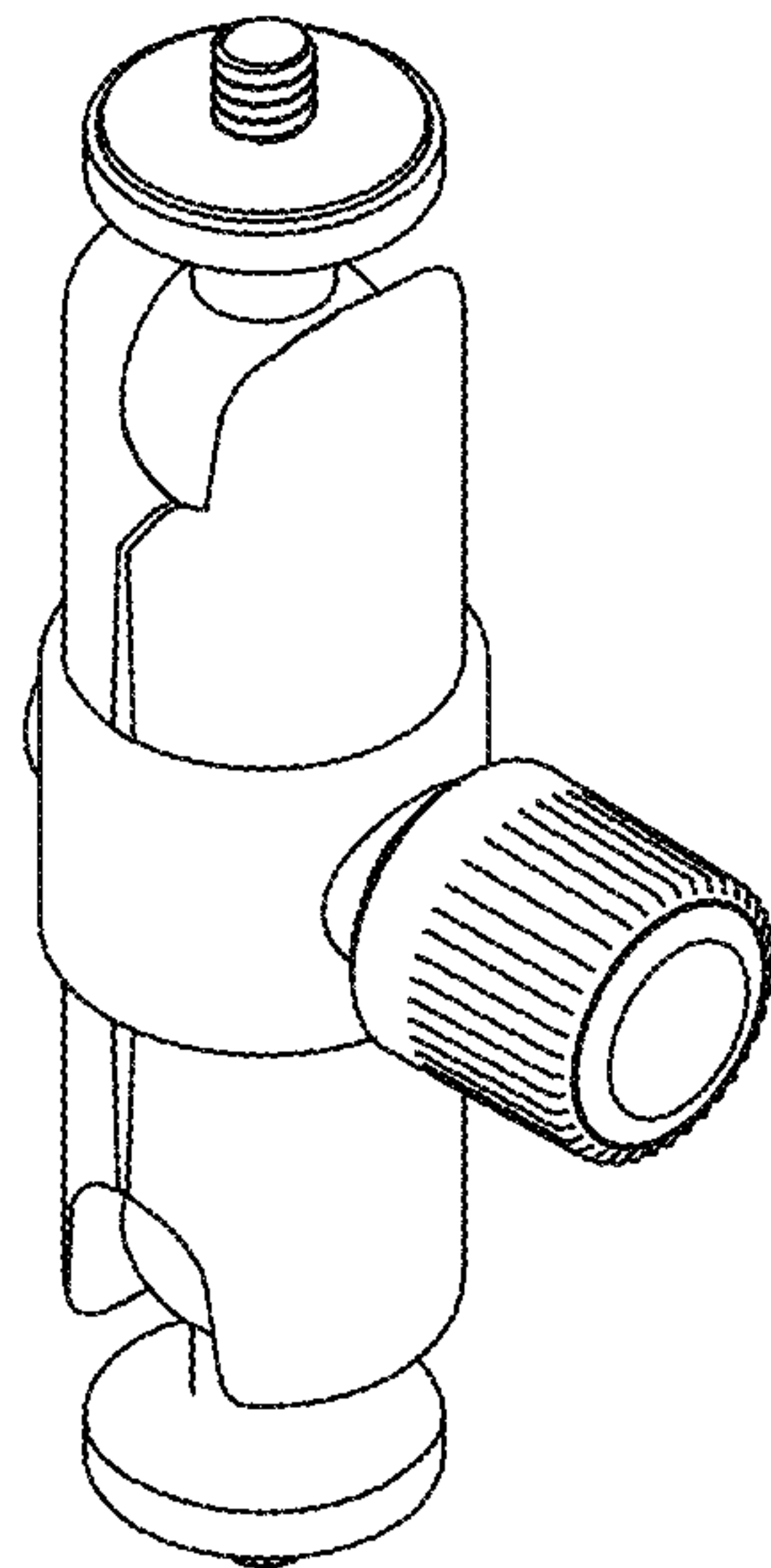


FIG. 1

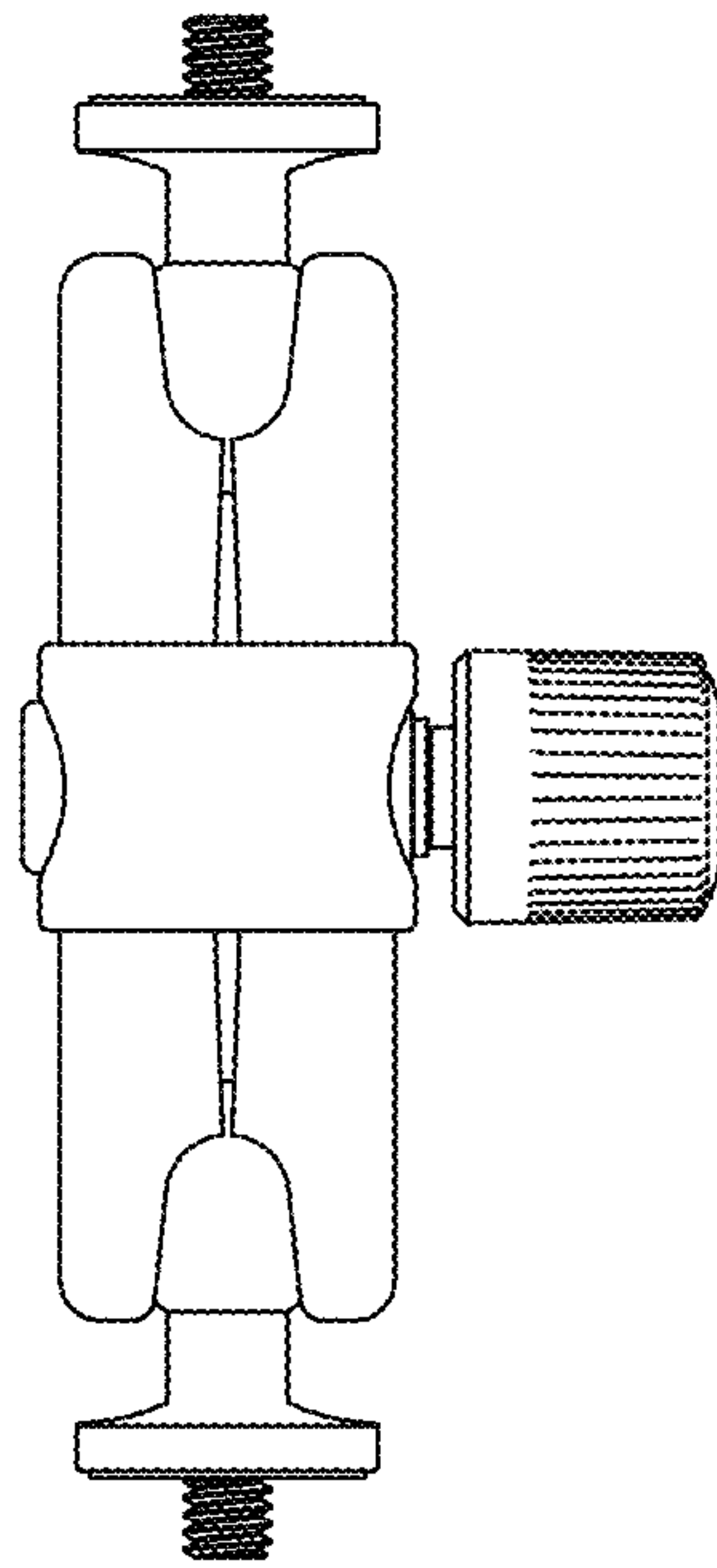


FIG. 2

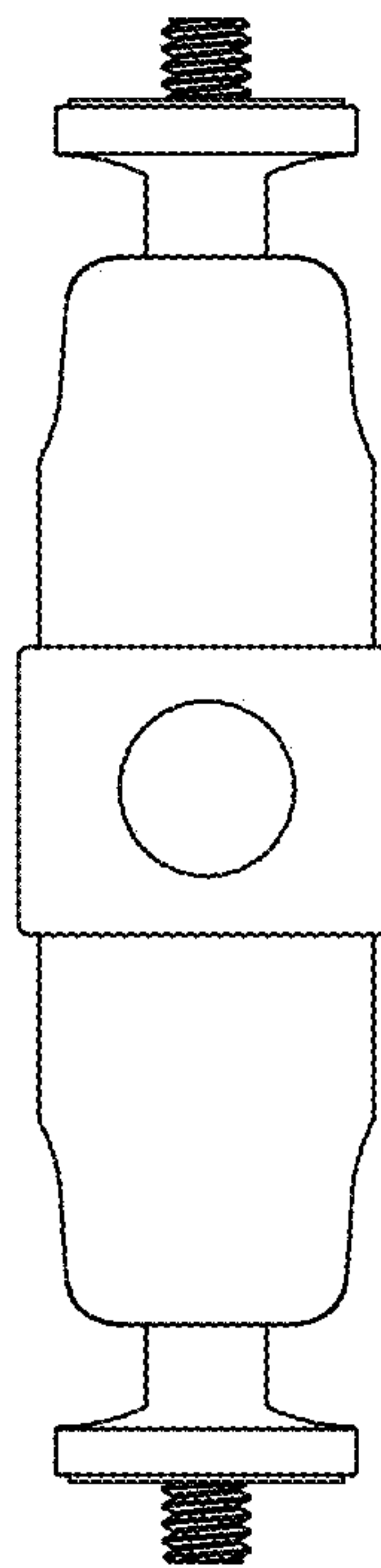


FIG. 3

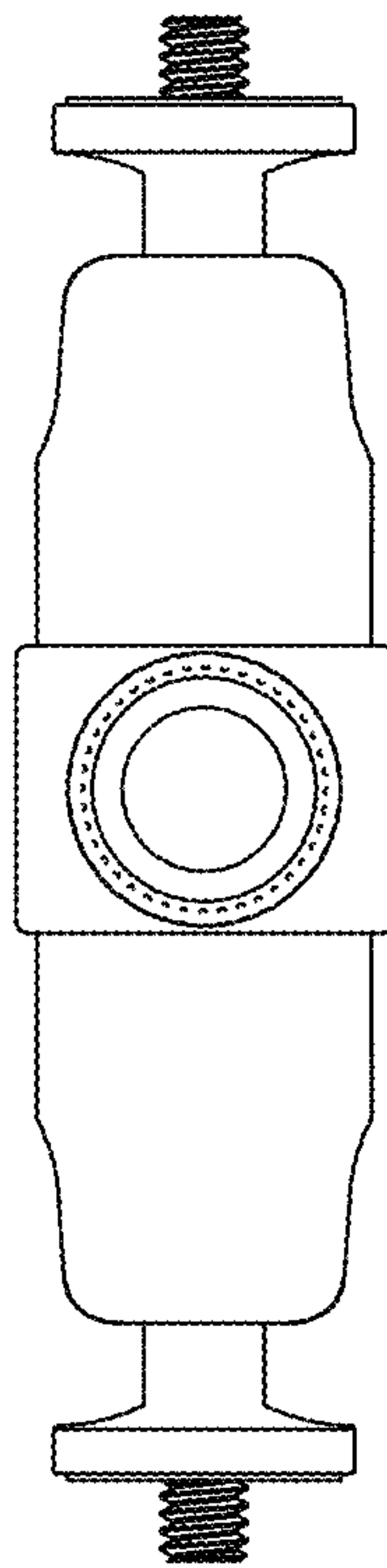


FIG. 4

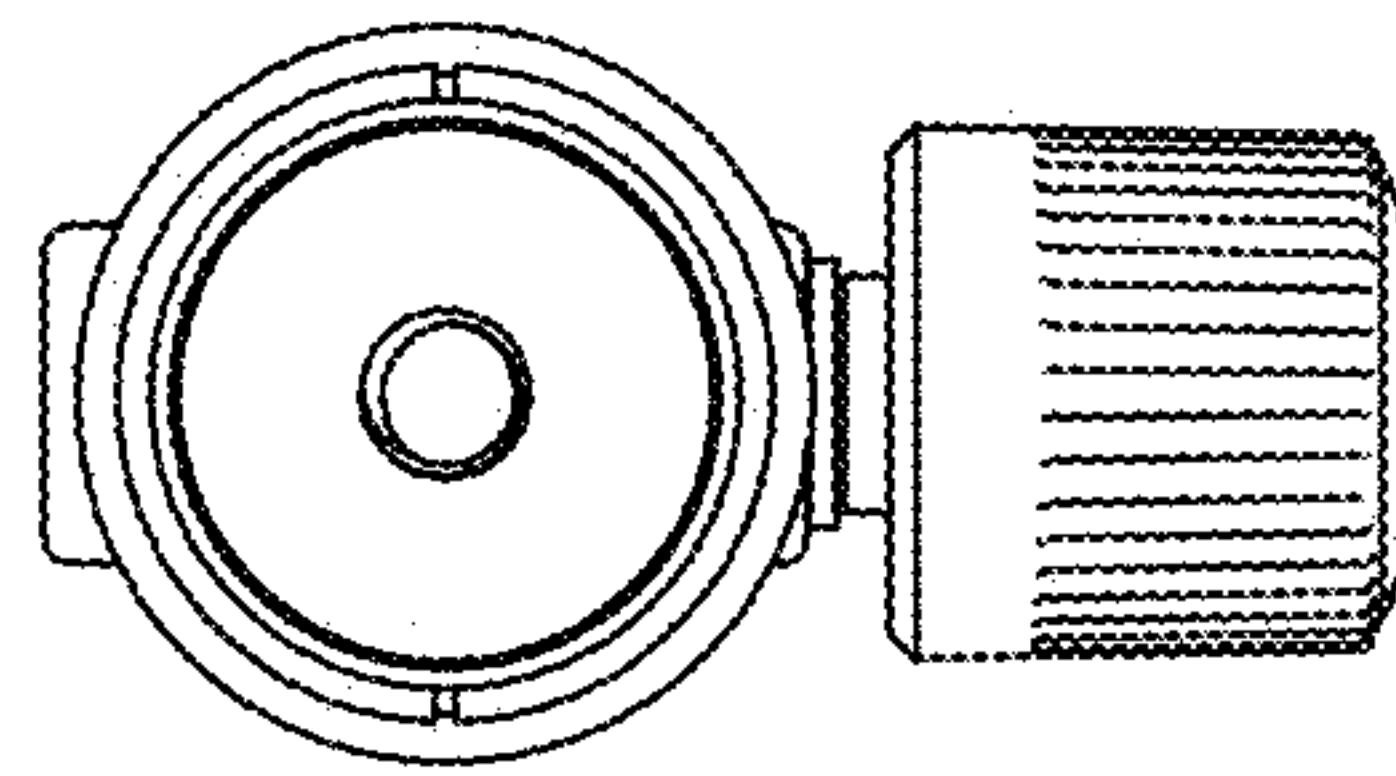


FIG. 5

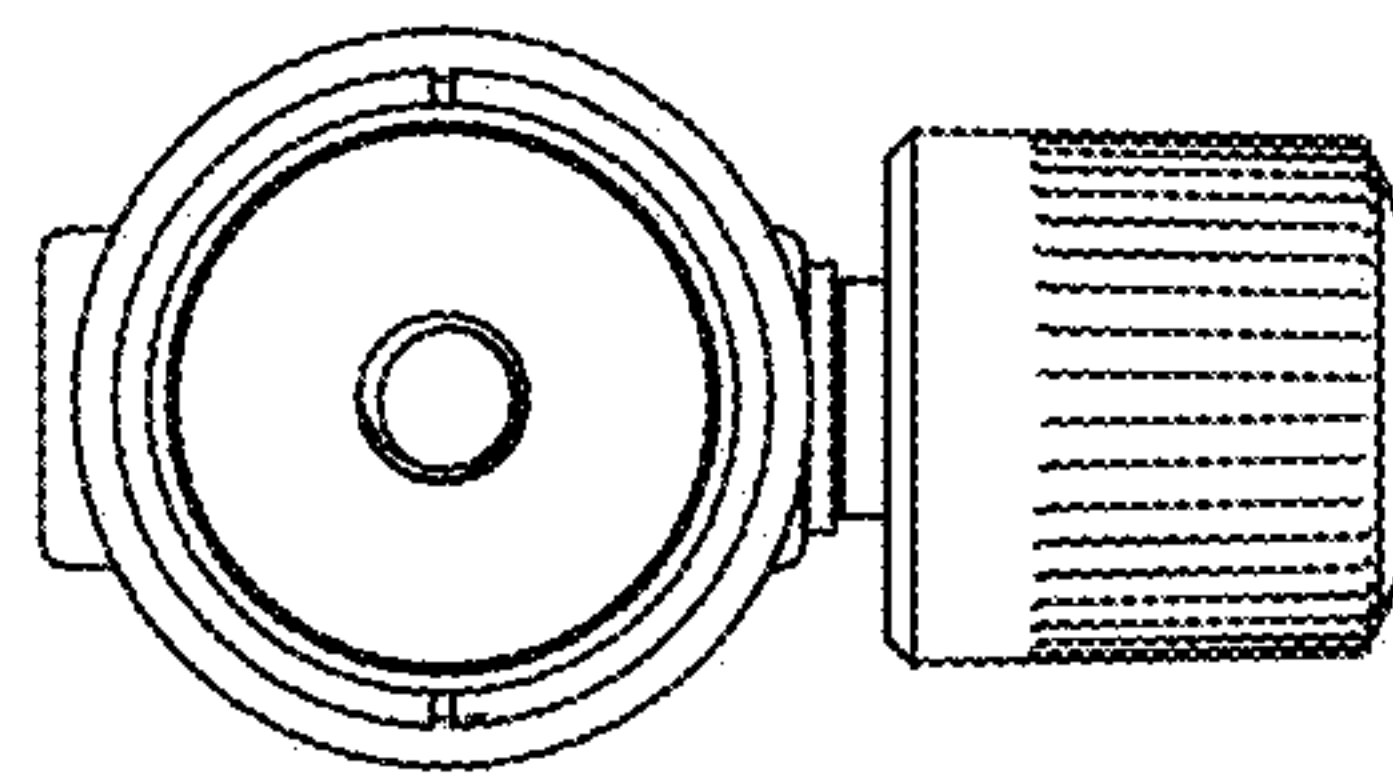


FIG. 6

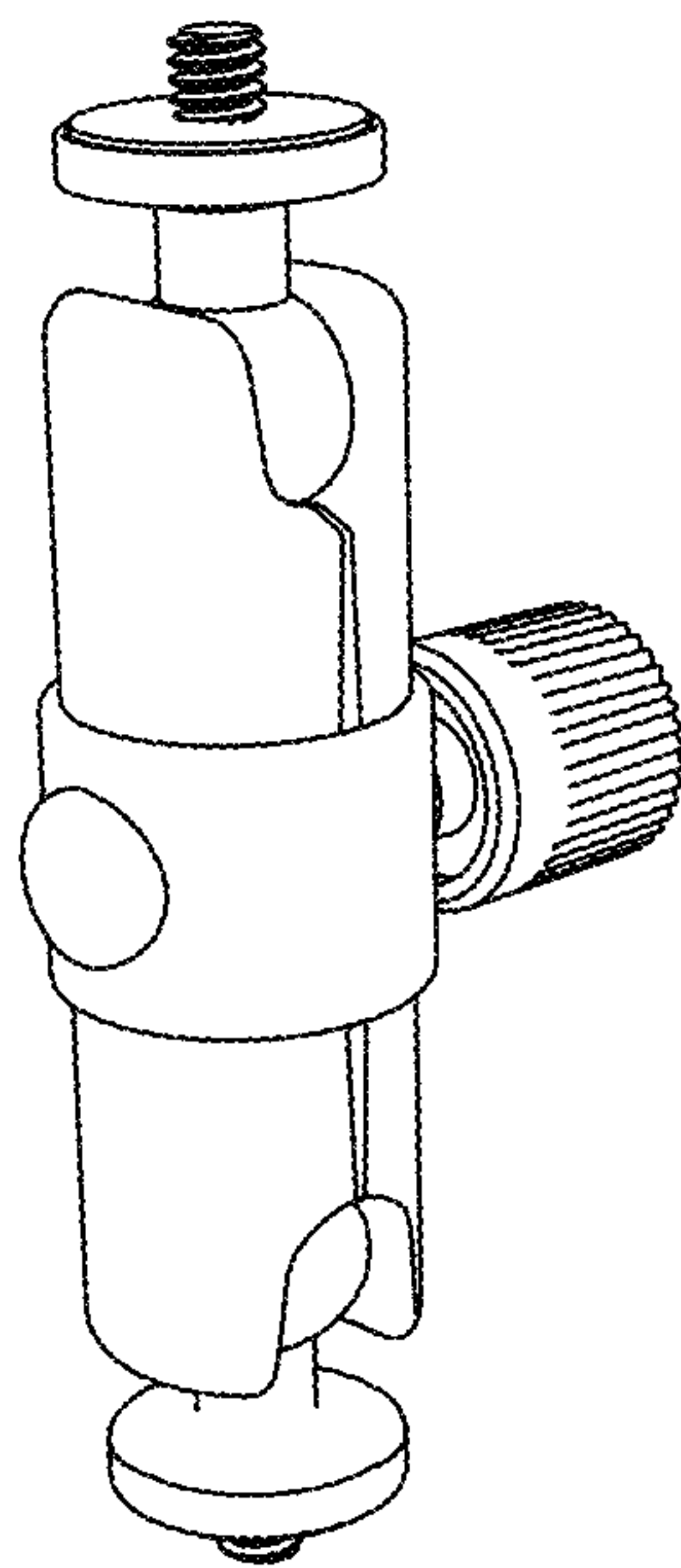


FIG. 7