



US00D767662S

(12) **United States Design Patent** (10) **Patent No.:** **US D767,662 S**
Lee (45) **Date of Patent:** **** Sep. 27, 2016**

(54) **BEAM PROJECTOR**
(71) Applicant: **INNOIO Co., Ltd.**, Seoul (KR)
(72) Inventor: **Dong Ho Lee**, Seoul (KR)
(73) Assignee: **Innoio Co., Ltd.** (KR)
(**) Term: **15 Years**
(21) Appl. No.: **29/529,760**
(22) Filed: **Jun. 10, 2015**
(51) **LOC (10) Cl.** **16-02**
(52) **U.S. Cl.**
USPC **D16/230; D16/225**
(58) **Field of Classification Search**
USPC D16/221, 225, 230–231, 234; D21/514
CPC .. G03B 21/00; G03B 21/001; G03B 21/003;
G03B 21/12; G03B 21/14; G03B 21/145
See application file for complete search history.

D648,769 S * 11/2011 Tzeng D16/225
D655,738 S * 3/2012 Chang D16/225
D730,425 S * 5/2015 Tabuchi D16/225

OTHER PUBLICATIONS

Innoio Airxel Projector. [Retrieved on Mar. 16, 2016]. Retrieved from the Internet: <URL:http://www.google.com/images>.*

* cited by examiner

Primary Examiner — Wan Laymon
(74) *Attorney, Agent, or Firm* — Dinsmore & Shohl, LLP; Yongsok Choi

(57) **CLAIM**
I claim the ornamental design for a beam projector, as shown and described.

DESCRIPTION

FIG. 1 is a top perspective view of a beam projector showing my new design;
FIG. 2 is a front view thereof;
FIG. 3 is a rear view thereof;
FIG. 4 is a left side view thereof;
FIG. 5 is a right side view thereof;
FIG. 6 is a reduced top view thereof; and,
FIG. 7 is a bottom view thereof.
The portions of the beam projector shown in broken lines form no part of the claimed design.

1 Claim, 7 Drawing Sheets

(56) **References Cited**
U.S. PATENT DOCUMENTS
D400,904 S * 11/1998 Calelo D16/225
D450,077 S * 11/2001 Isono D16/230
D552,657 S * 10/2007 Oota D16/225
D574,877 S * 8/2008 Schoenert D16/230
D648,767 S * 11/2011 Cheng D16/225

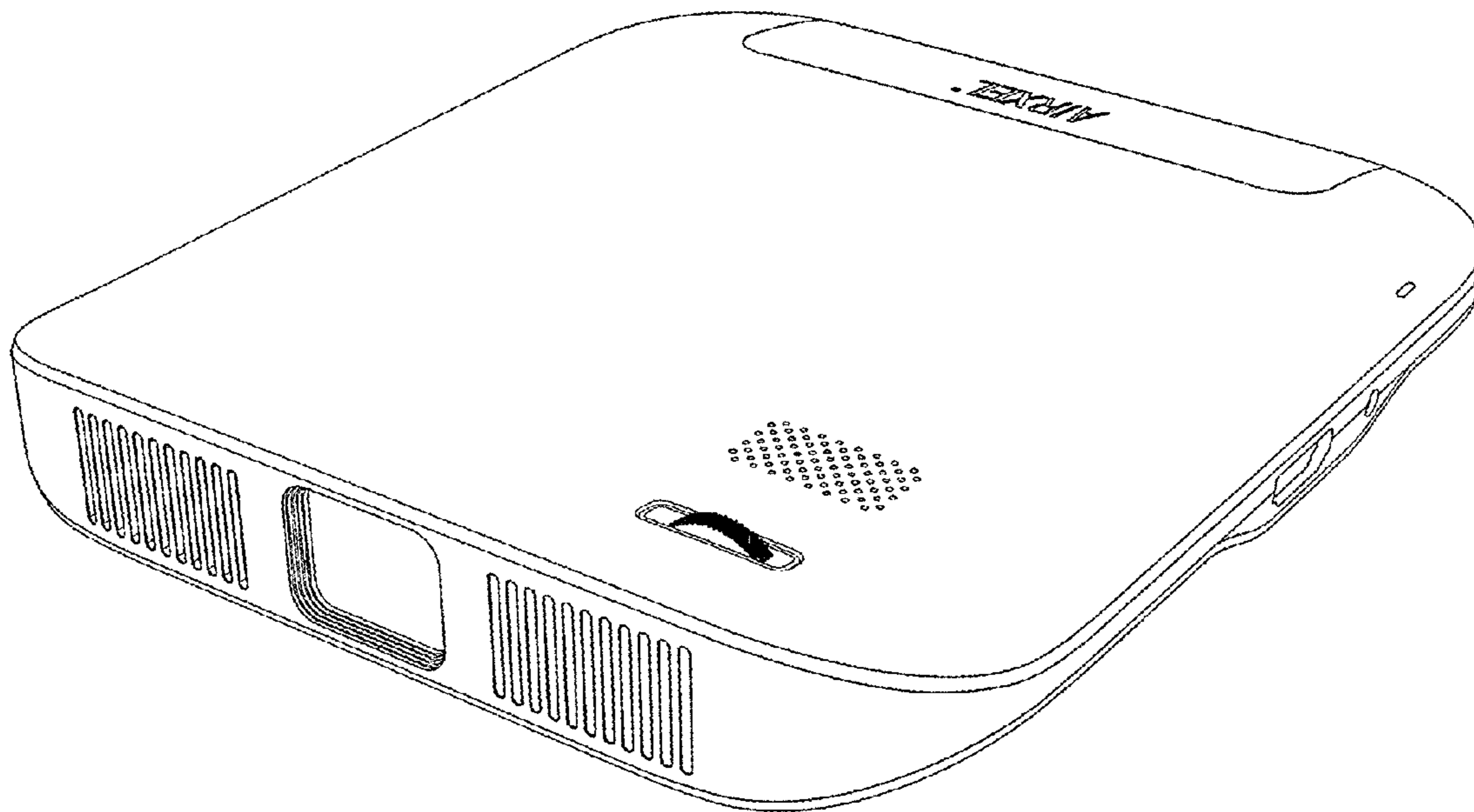


FIG. 1

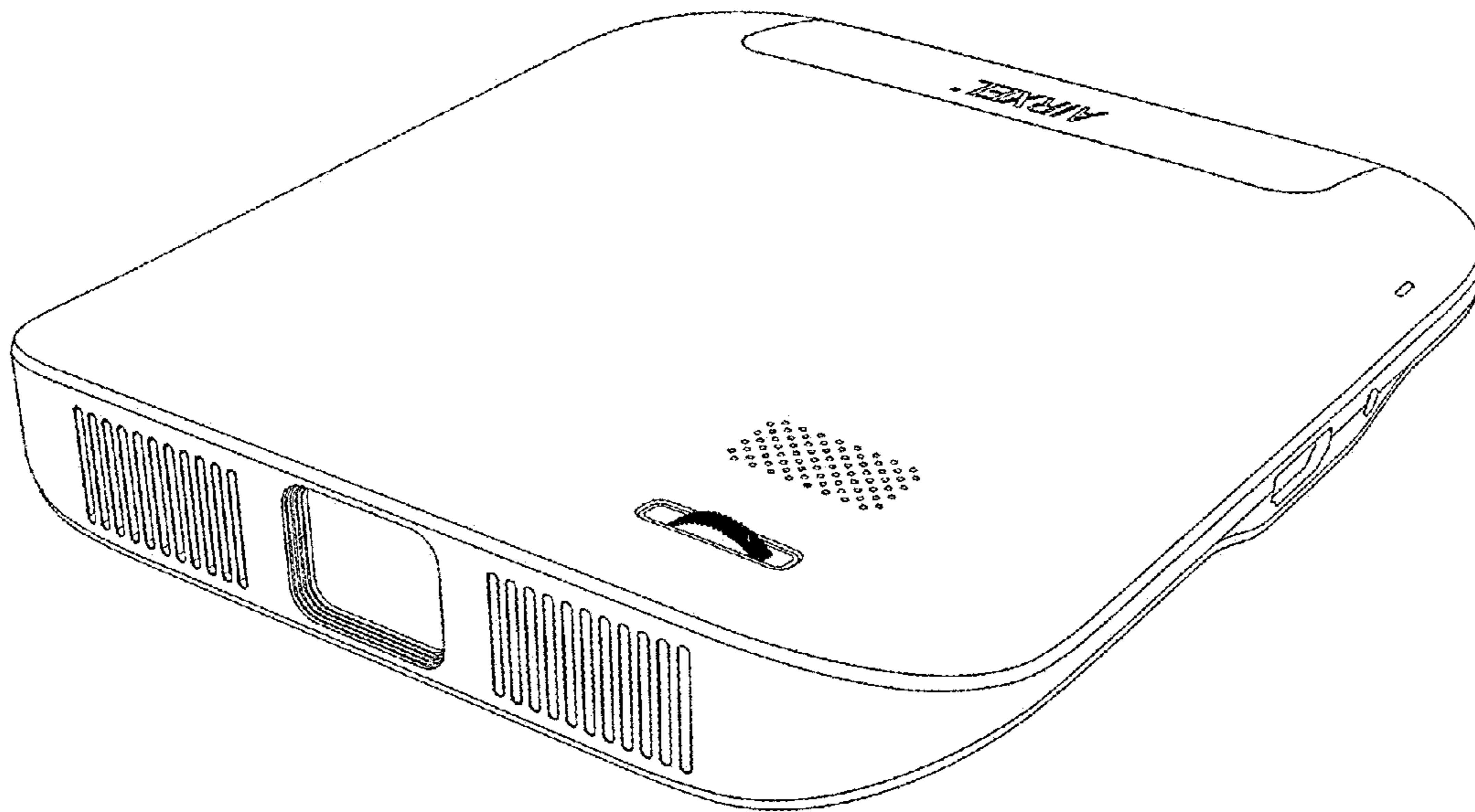


FIG. 2

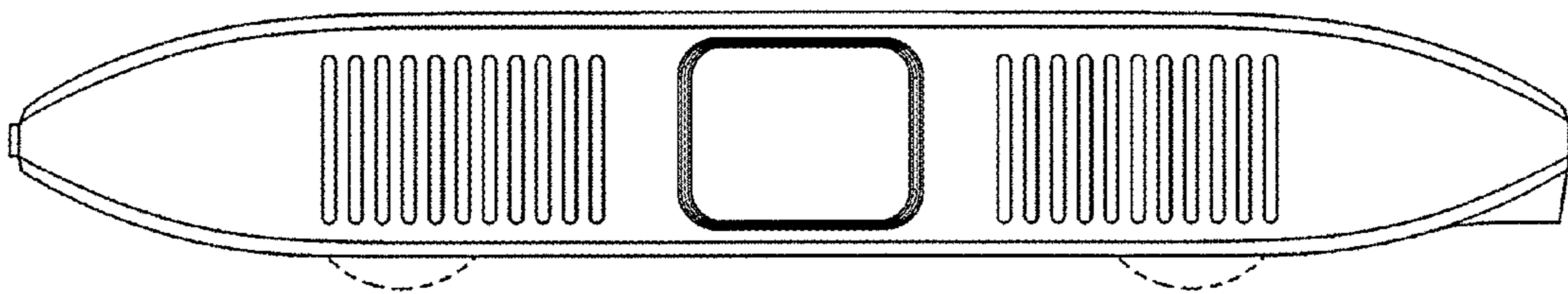


FIG. 3

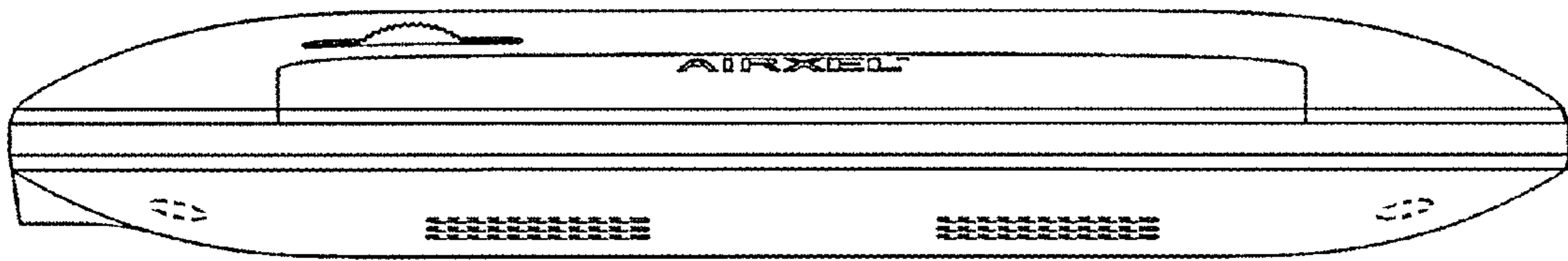


FIG. 4

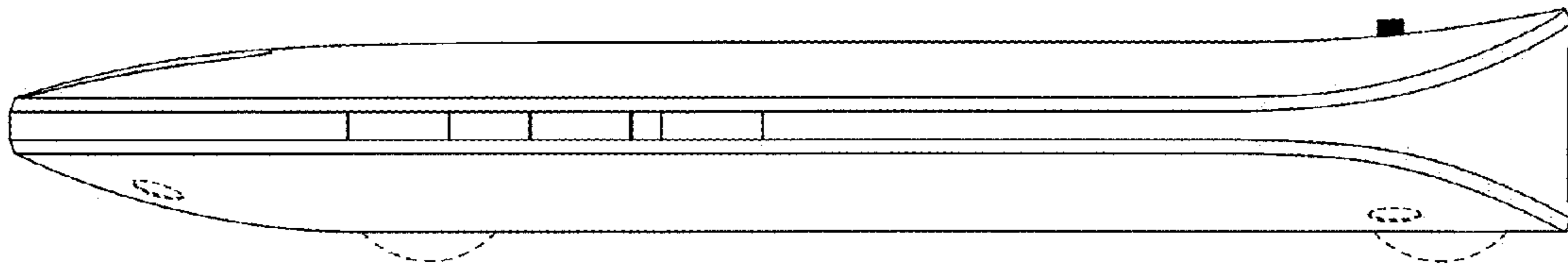


FIG. 5

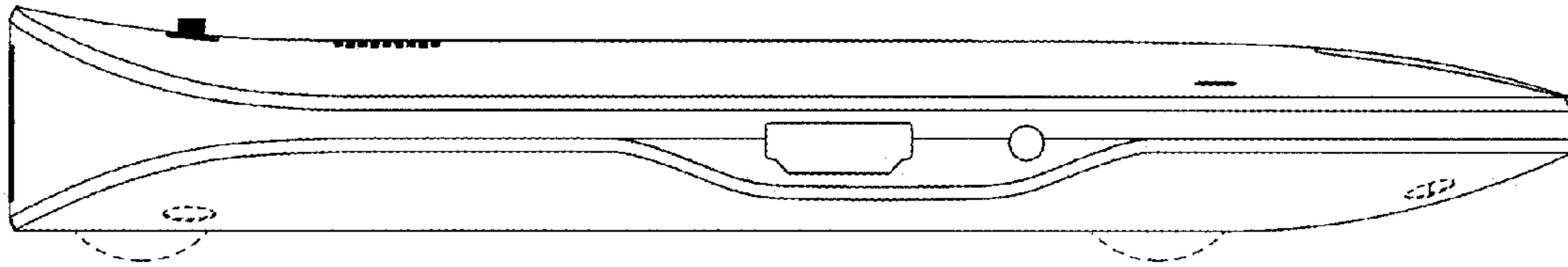


FIG. 6



FIG. 7

