



US00D767657S

(12) **United States Design Patent** (10) **Patent No.:** **US D767,657 S**
Fukunaga et al. (45) **Date of Patent:** **** Sep. 27, 2016**

(54) **CONTROLLING APPARATUS FOR WELDING EQUIPMENT**

(71) Applicant: **Kobe Steel, Ltd.**, Kobe-shi (JP)

(72) Inventors: **Atsushi Fukunaga**, Fujisawa (JP);
Daisuke Umekawa, Fujisawa (JP);
Kenta Kobayashi, Fujisawa (JP);
Ryota Hatakeyama, Fujisawa (JP)

(73) Assignee: **Kobe Steel, Ltd.**, Kobe-shi (JP)

(**) Term: **15 Years**

(21) Appl. No.: **29/530,967**

(22) Filed: **Jun. 22, 2015**

(30) **Foreign Application Priority Data**

Dec. 22, 2014 (JP) 2014-028729

(51) **LOC (10) Cl.** **15-09**

(52) **U.S. Cl.**
USPC **D15/144**

(58) **Field of Classification Search**
USPC D8/29.1, 29.2, 30; D13/123, 133;
D15/122, 138, 144, 144.1, 144.2
See application file for complete search history.

(56) **References Cited**

U.S. PATENT DOCUMENTS

- 4,845,650 A * 7/1989 Meade G07B 1/00
101/66
5,023,824 A * 6/1991 Chadima, Jr. G06F 15/0216
235/1 D
D351,141 S * 10/1994 Van Akkeren D13/168
5,530,619 A * 6/1996 Koenck B60R 11/02
235/462.46
D390,554 S * 2/1998 Larson D14/137
D641,600 S * 7/2011 Fukuda D8/29.1
D709,038 S * 7/2014 Takama D13/168
D714,167 S * 9/2014 Hyllbrant D10/46
D715,772 S * 10/2014 Kim D14/218
D715,773 S * 10/2014 Kim D14/218

- D716,269 S * 10/2014 Kim D14/218
D718,722 S * 12/2014 Asher D13/168
D720,727 S * 1/2015 Yu D14/225
D727,428 S * 4/2015 Sagady D20/8
D737,225 S * 8/2015 Seidl D13/168
D741,816 S * 10/2015 Kroll D13/168
D742,858 S * 11/2015 Morisawa D14/218
D748,065 S * 1/2016 Trochum D13/162
D751,200 S * 3/2016 LaRose D24/155
D751,201 S * 3/2016 LaRose D24/155

FOREIGN PATENT DOCUMENTS

JP 2004-122243 4/2004

OTHER PUBLICATIONS

Manabu Nagata, "New Products 'The Arc Welding Robot ARC-MAN-MP' and 'The Type CA Controller'", Jun. 2005, 3 pages.

* cited by examiner

Primary Examiner — Patricia Palasik

(74) *Attorney, Agent, or Firm* — Oblon, McClelland, Maier & Neustadt, L.L.P.

(57) **CLAIM**

The ornamental design for a controlling apparatus for welding equipment, as shown and described.

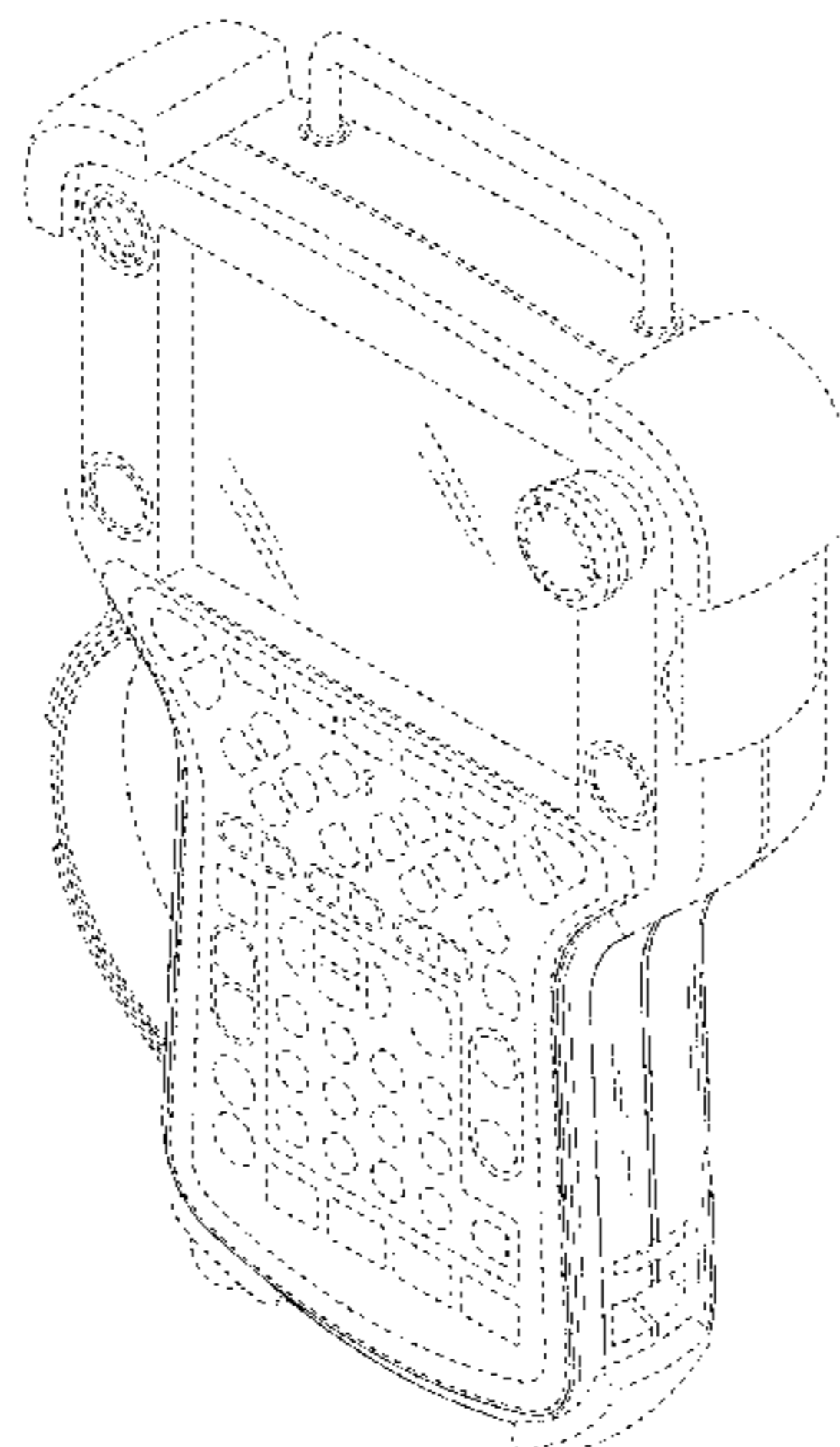
DESCRIPTION

FIG. 1 is a front, top, and right side perspective view of a controlling apparatus for welding equipment;
FIG. 2 is a rear, top, and left side perspective view thereof;
FIG. 3 is a front elevational view thereof;
FIG. 4 is a rear elevational view thereof;
FIG. 5 is a left side elevational view thereof;
FIG. 6 is a right side elevational view thereof; and,
FIG. 7 is a bottom plan view thereof.

The broken lines in the drawings illustrate environmental subject matter and form no part of the claimed design.

The dashed lines in the drawings show an unclaimed border between the claimed design shown in solid lines and the unclaimed environmental subject.

1 Claim, 6 Drawing Sheets



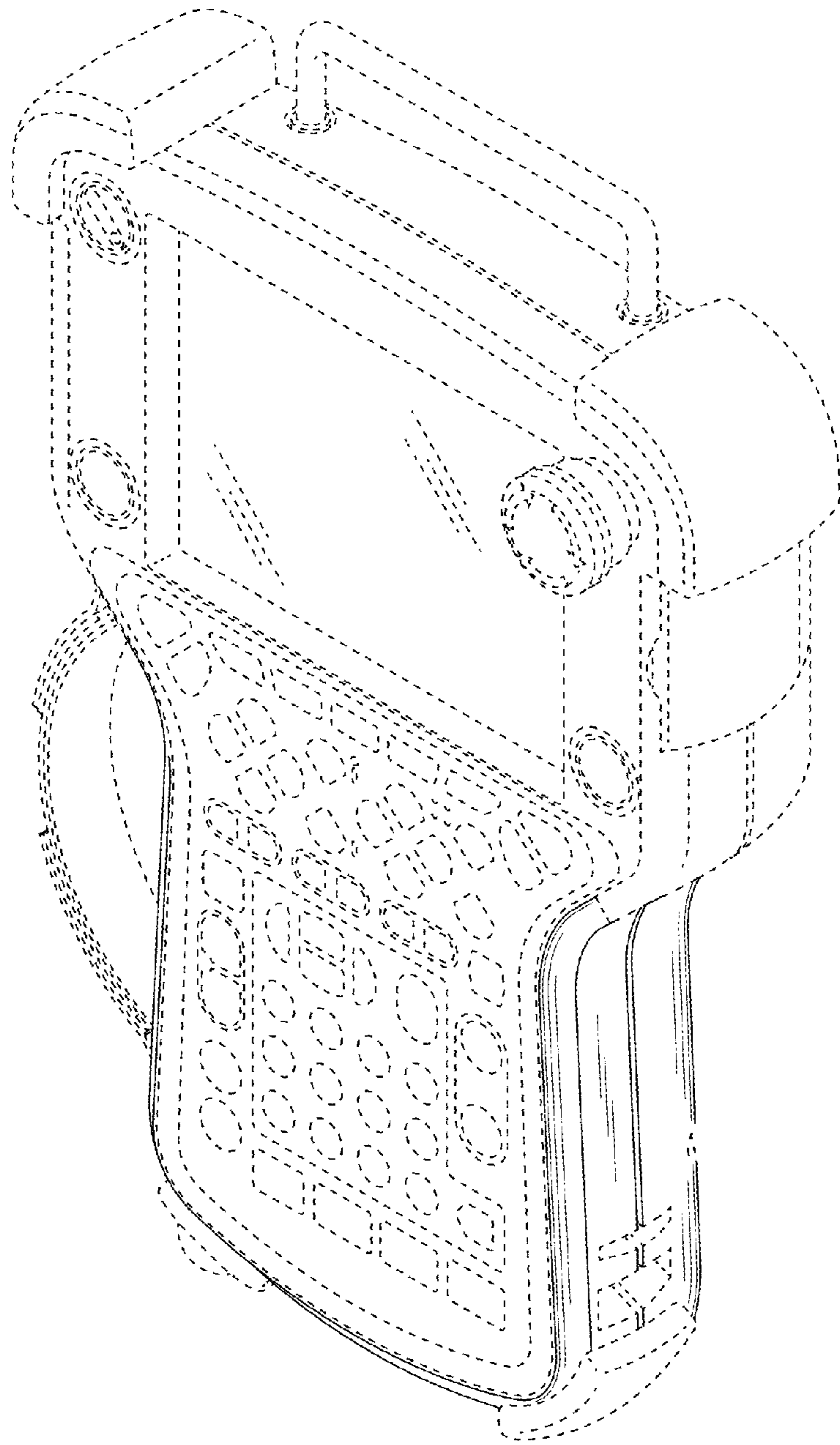


FIG. 1

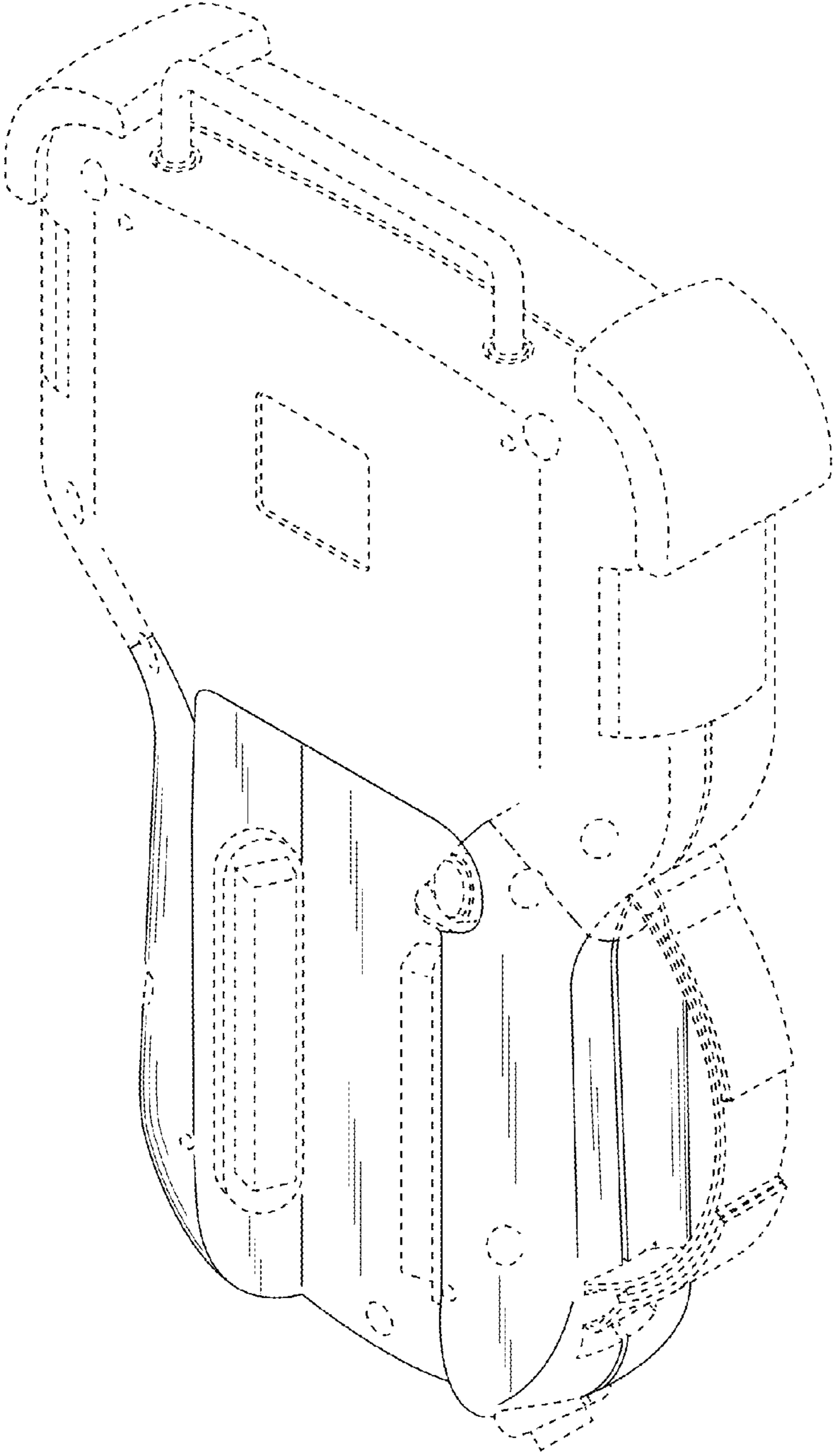


FIG.2

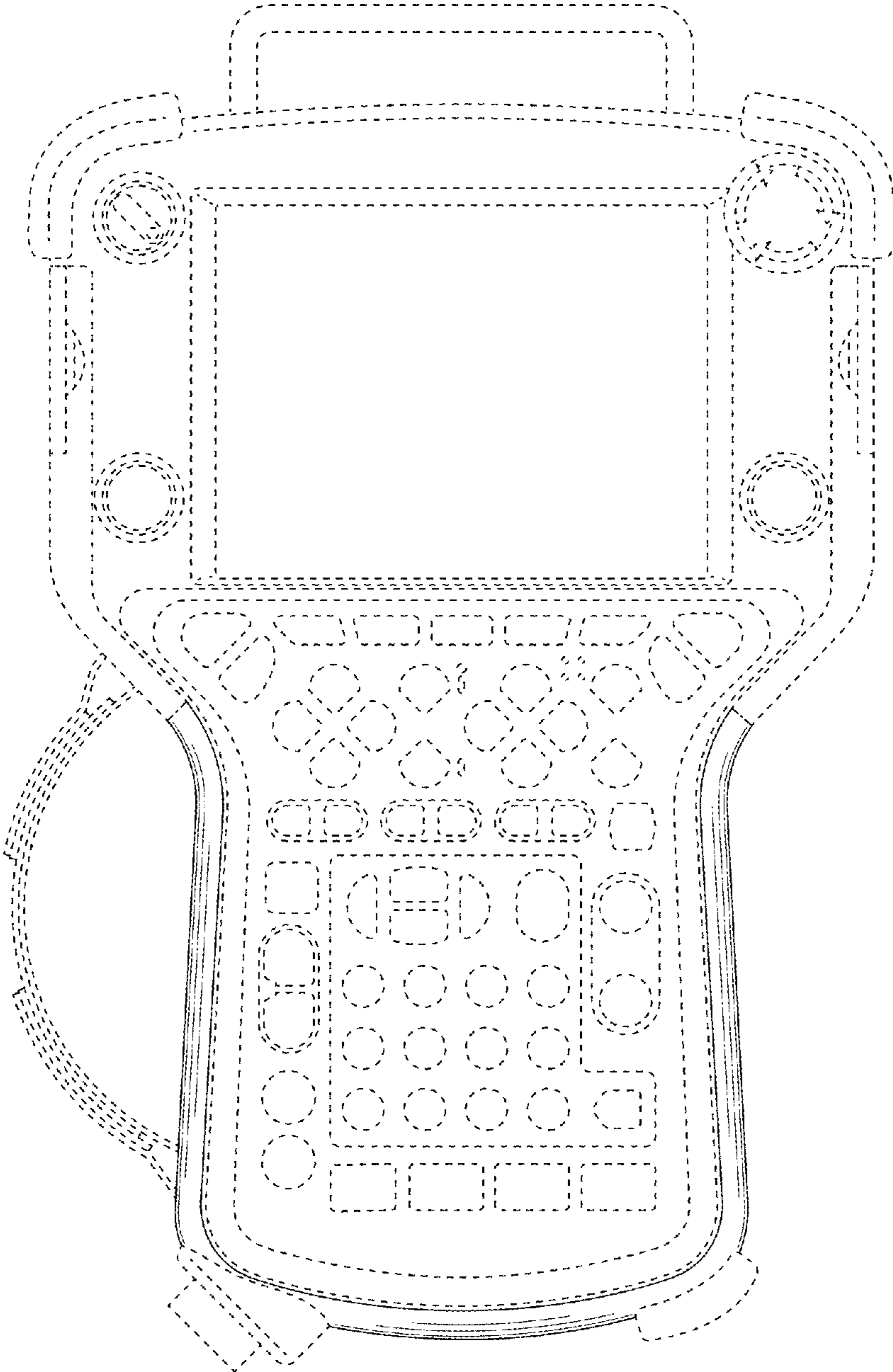


FIG.3

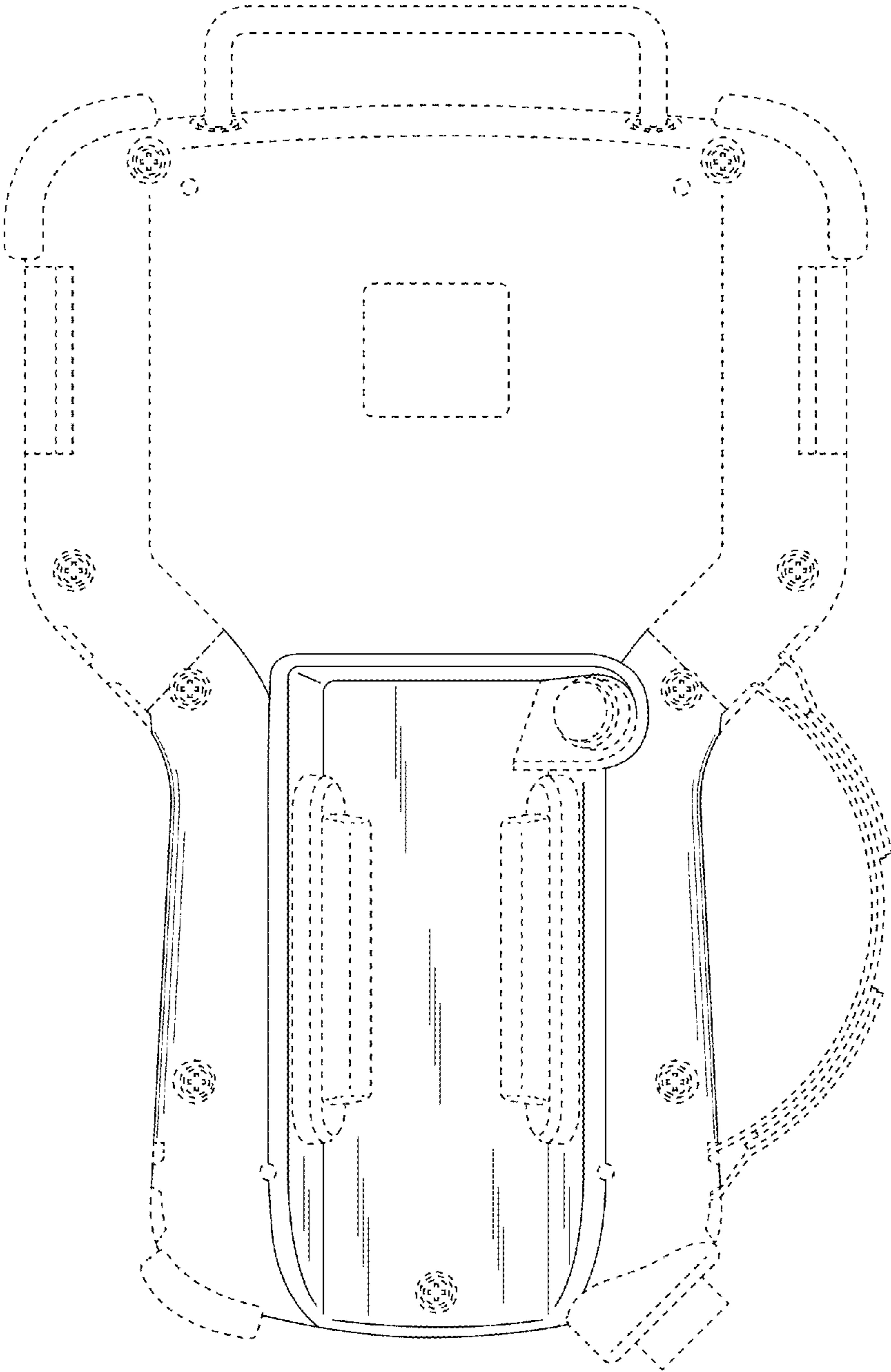


FIG.4

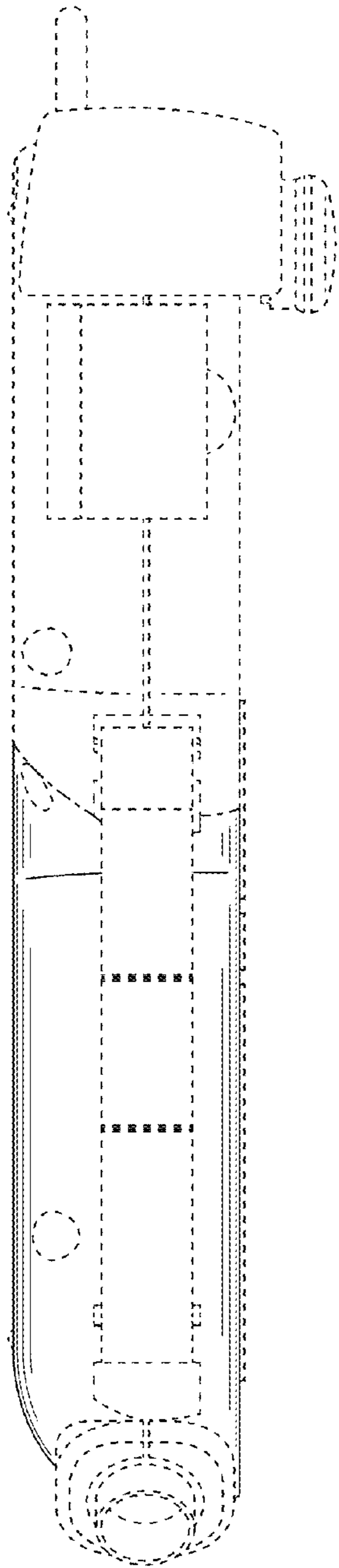


FIG. 5

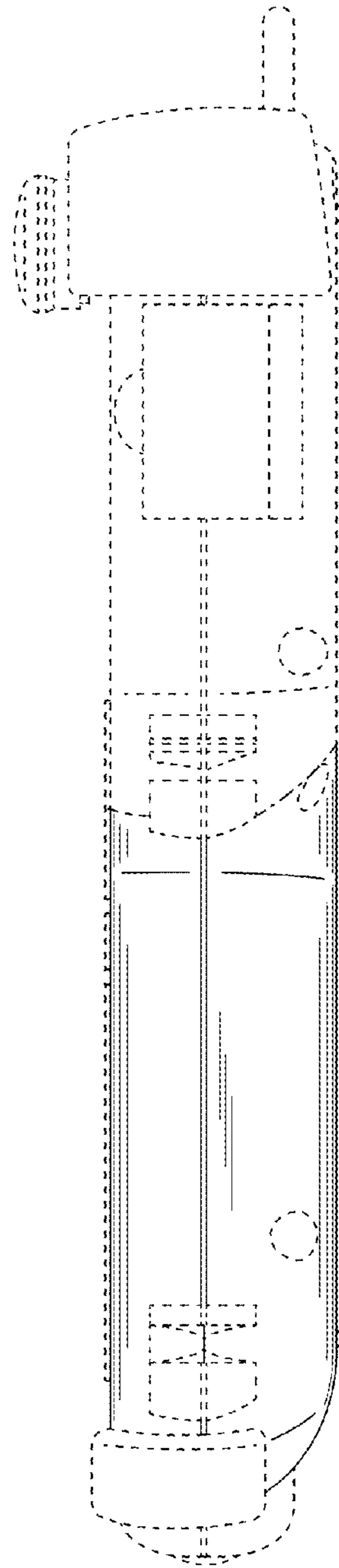


FIG. 6

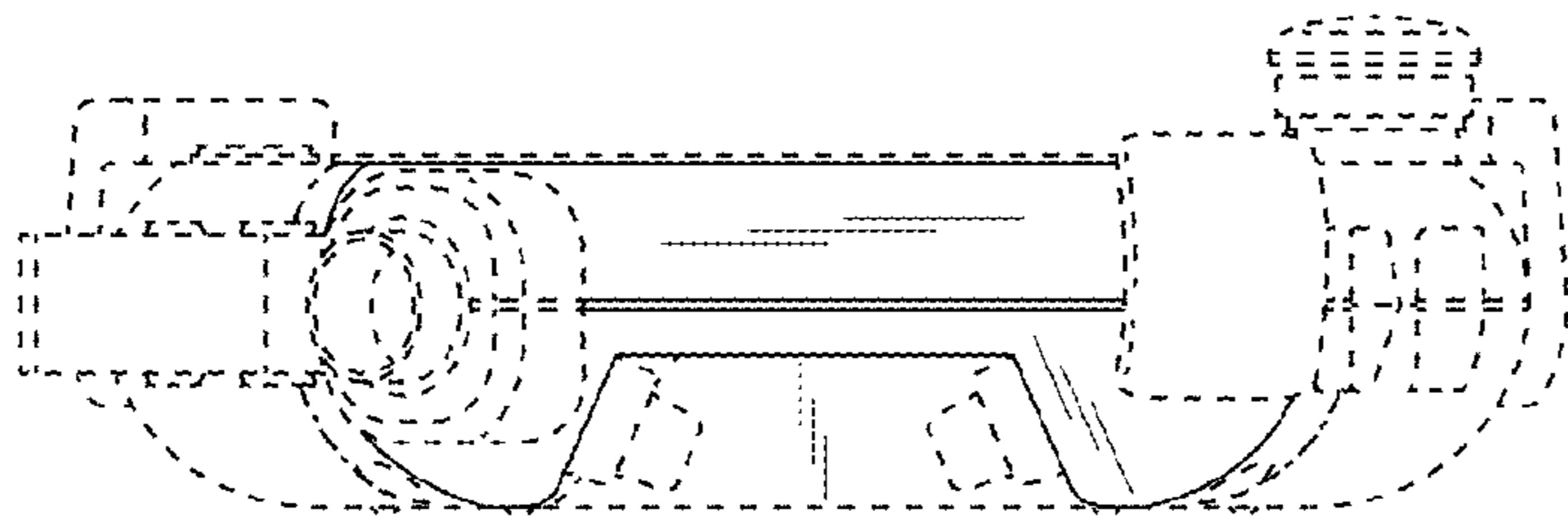


FIG. 7