



US00D767656S

(12) **United States Design Patent**
Wu

(10) **Patent No.:** **US D767,656 S**

(45) **Date of Patent:** **** Sep. 27, 2016**

- (54) **LINEAR ACTUATOR**
- (71) Applicant: **TIMOTION TECHNOLOGY CO., LTD.**, New Taipei (TW)
- (72) Inventor: **Chou-Hsin Wu**, New Taipei (TW)
- (73) Assignee: **TIMOTION TECHNOLOGY CO., LTD.**, New Taipei (TW)
- (**) Term: **15 Years**
- (21) Appl. No.: **29/535,102**
- (22) Filed: **Aug. 4, 2015**
- (51) **LOC (10) Cl.** **15-09**
- (52) **U.S. Cl.**
USPC **D15/143**
- (58) **Field of Classification Search**
USPC D13/118, 158, 162, 184; D15/1-5, 7, 9,
D15/143, 148, 149, 199
See application file for complete search history.

- 8,156,834 B2 * 4/2012 Chiang F16H 25/20
74/89.39
- 8,459,133 B2 * 6/2013 Inoue F16H 25/2015
74/567
- D686,257 S * 7/2013 Wu D15/143
- D686,260 S * 7/2013 Wu D15/143
- D686,648 S * 7/2013 Wu D15/143
- D708,239 S * 7/2014 Lin D15/143
- 8,806,972 B2 * 8/2014 Wang F16H 25/20
403/60
- 8,978,497 B2 * 3/2015 Bourgoine F16H 25/20
74/89.23
- 9,091,334 B2 * 7/2015 Kollreider A47B 9/04
- 9,312,738 B2 * 4/2016 Winther F16H 25/20
- 9,341,248 B2 * 5/2016 Wu F16H 25/20

* cited by examiner

Primary Examiner — Patricia Palasik

(74) *Attorney, Agent, or Firm* — Chun-Ming Shih; HDLA IPR Services

(57) **CLAIM**

The ornamental design for a linear actuator, as shown and described.

DESCRIPTION

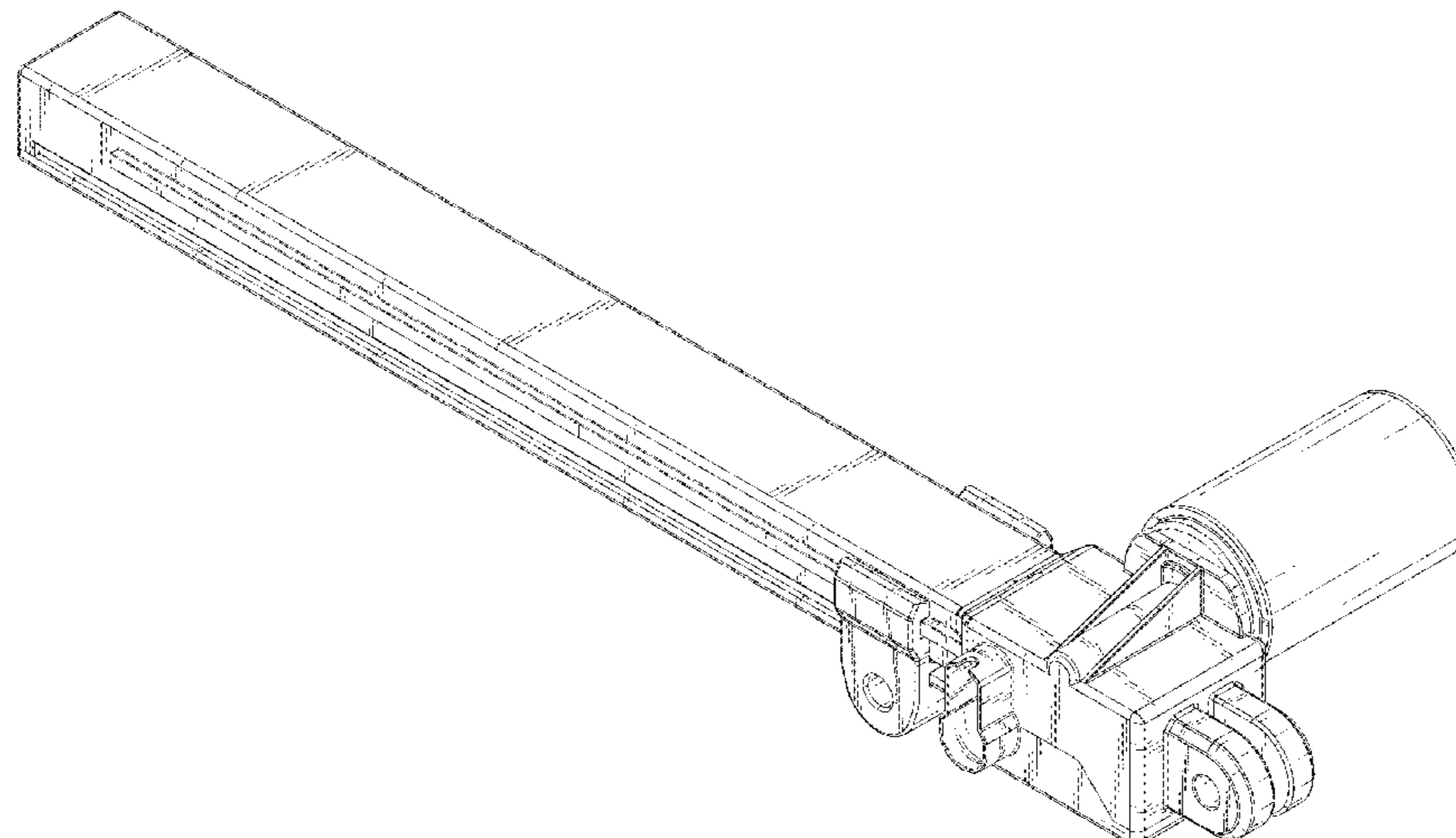
FIG. 1 is a perspective view of a linear actuator showing my new design;
 FIG. 2 is a front view thereof;
 FIG. 3 is a rear view thereof;
 FIG. 4 is a left side view thereof;
 FIG. 5 is a right side view thereof;
 FIG. 6 is a top view thereof;
 FIG. 7 is a bottom view thereof; and
 FIG. 8 is second perspective view showing the linear actuator; and,
 FIG. 9 is third perspective view showing the linear actuator.

1 Claim, 8 Drawing Sheets

(56) **References Cited**

U.S. PATENT DOCUMENTS

- D456,826 S * 5/2002 Nagai D15/143
- D458,284 S * 6/2002 Landerholm D15/143
- D467,950 S * 12/2002 Christensen D15/148
- 6,942,261 B2 * 9/2005 Larsen F15B 15/19
180/274
- D514,146 S * 1/2006 Haneball D15/143
- D595,752 S * 7/2009 Lin D15/143
- D595,753 S * 7/2009 Tseng D15/143
- 8,024,987 B2 * 9/2011 Yamaguchi F16H 1/225
74/89.23
- 8,040,082 B2 * 10/2011 Bastholm F16H 25/2015
318/135
- D656,975 S * 4/2012 Tseng D15/143



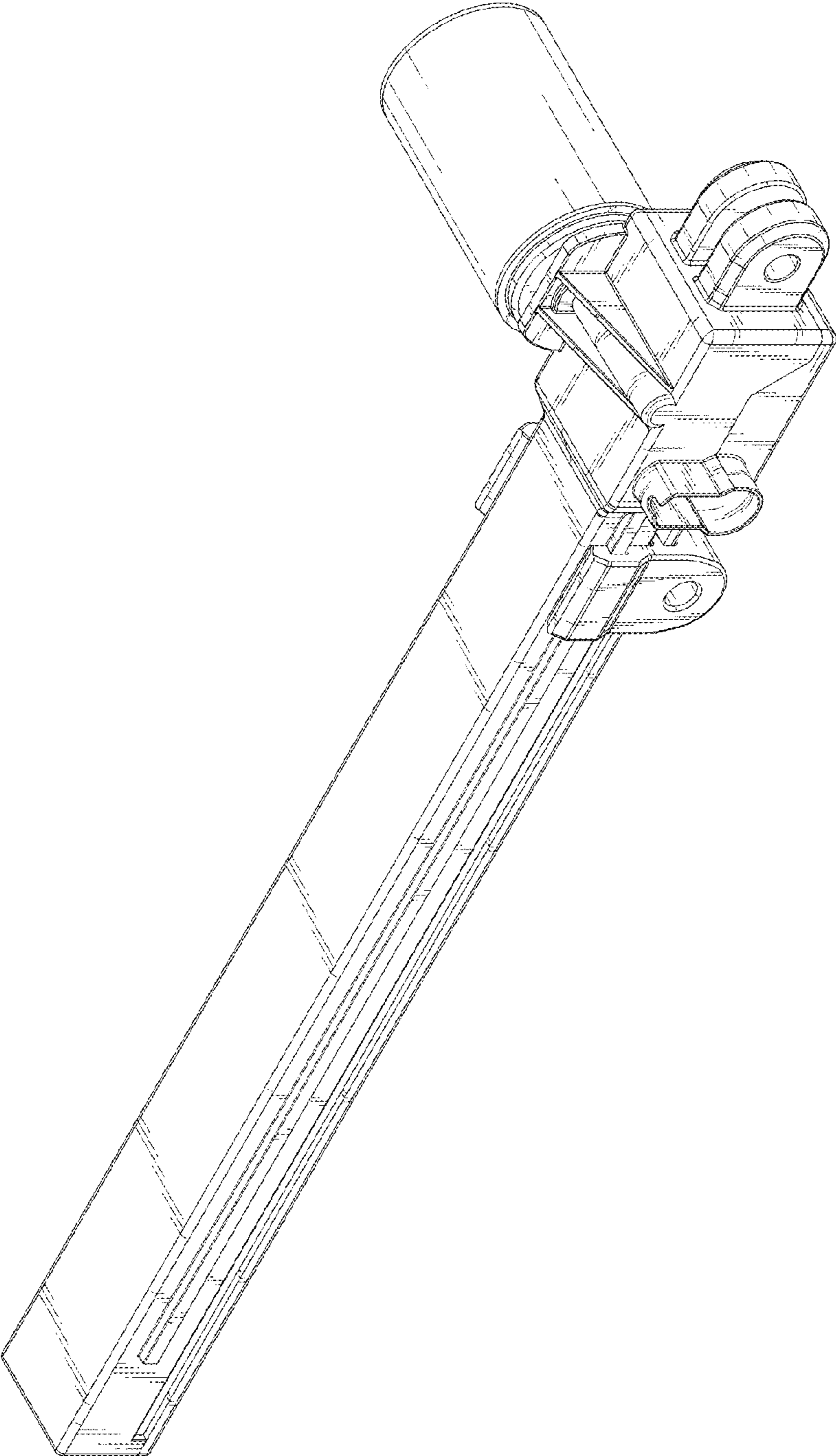


FIG.1

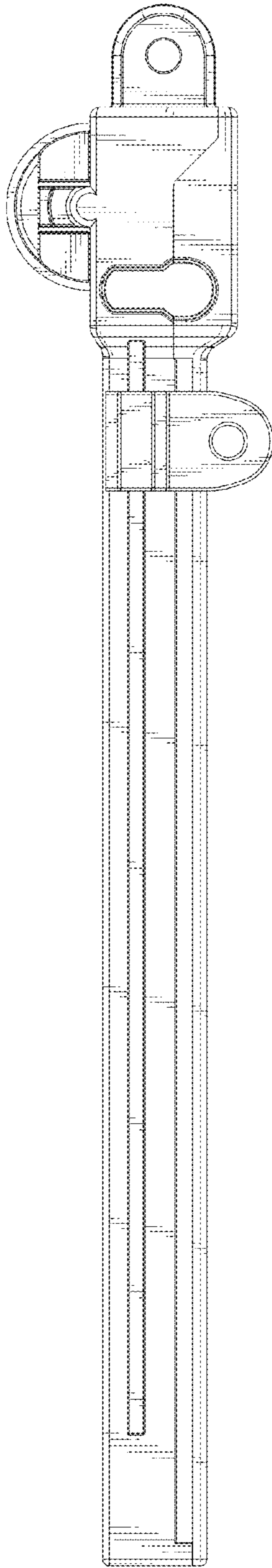


FIG.2

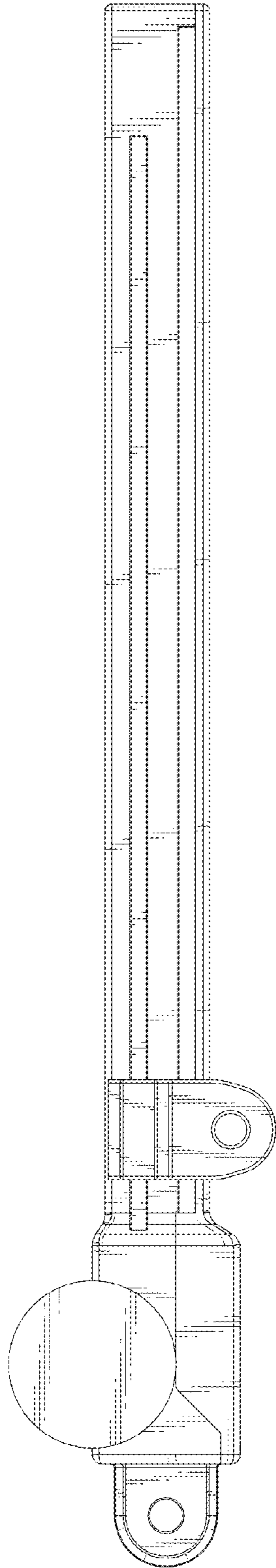


FIG.3

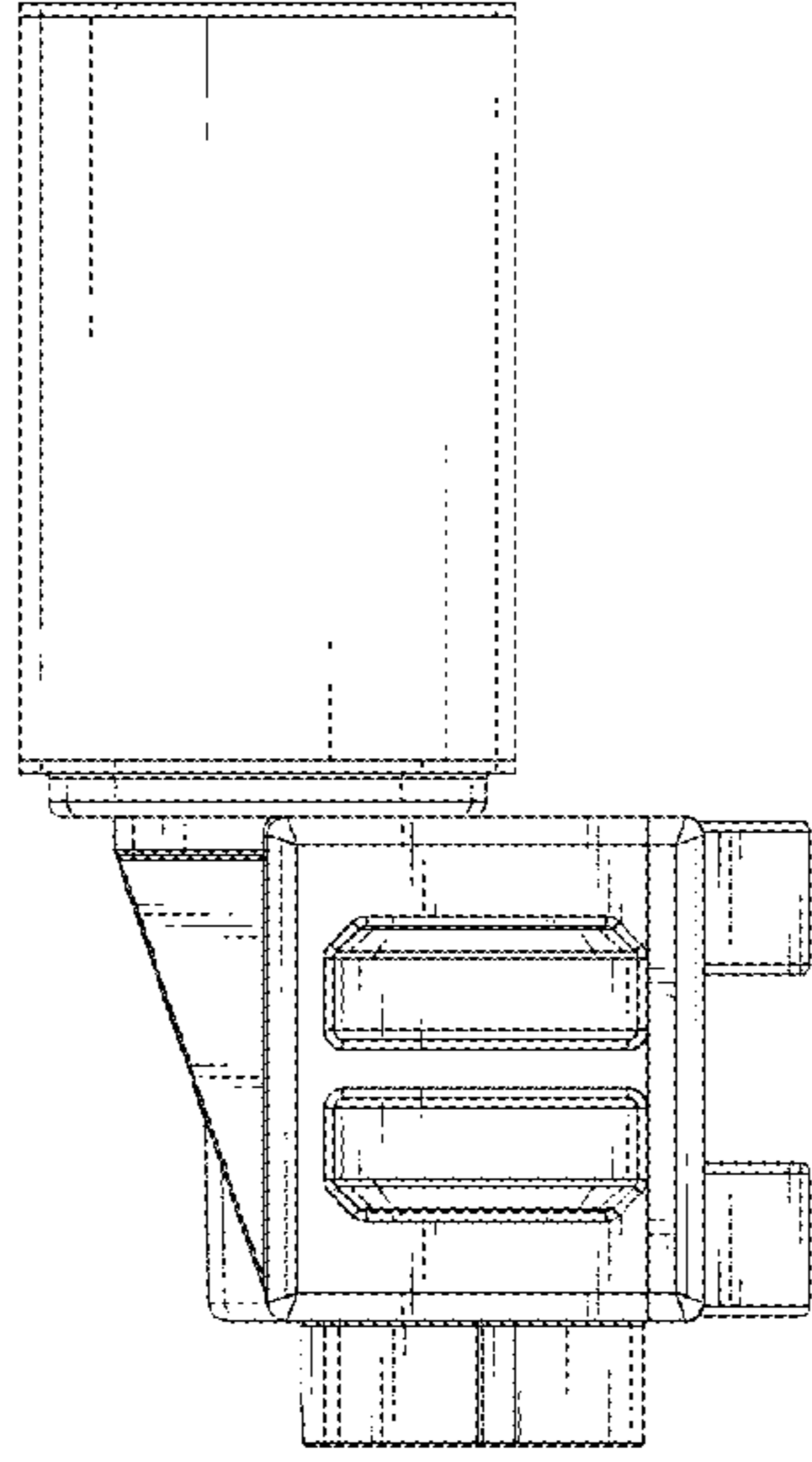


FIG.5

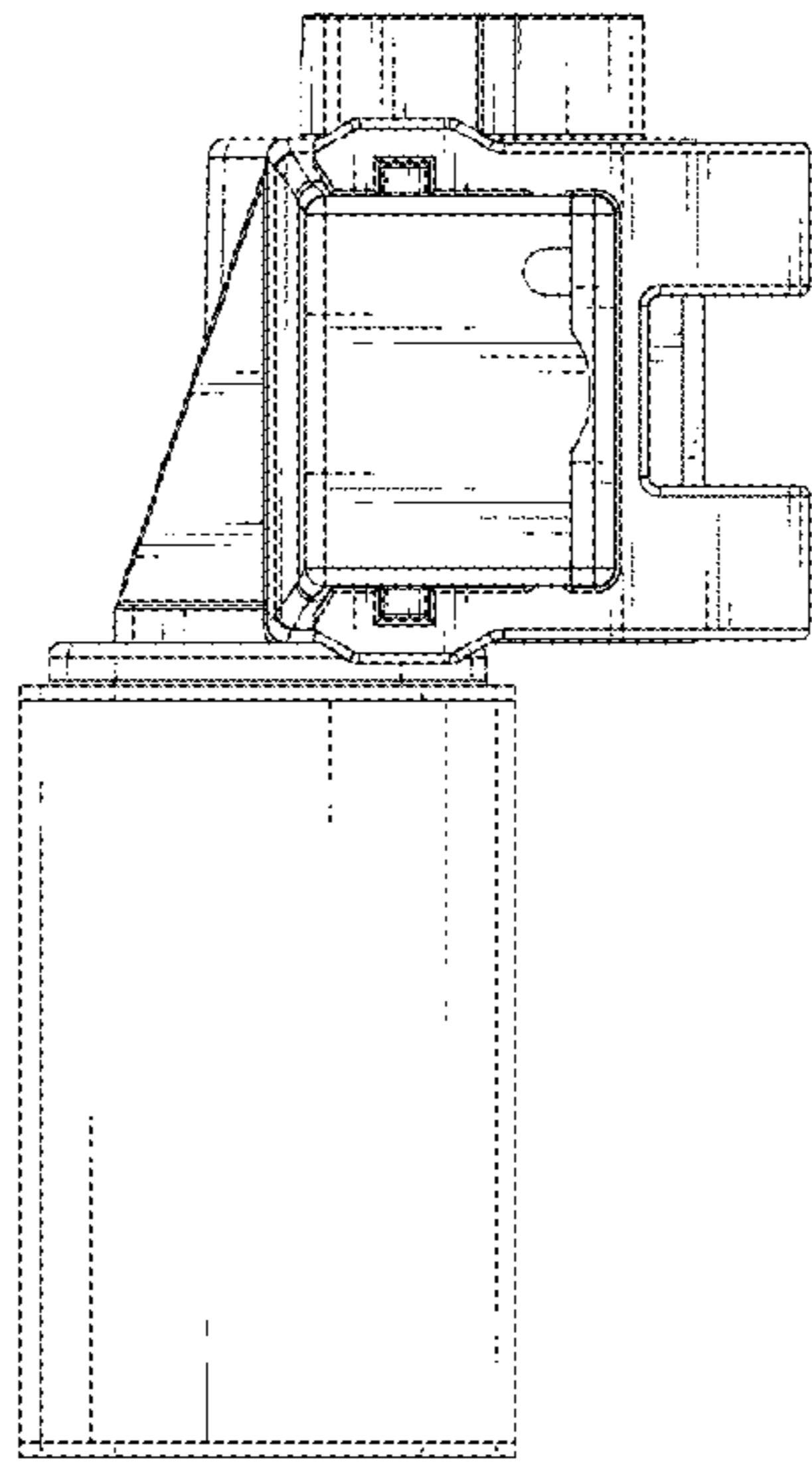


FIG.4

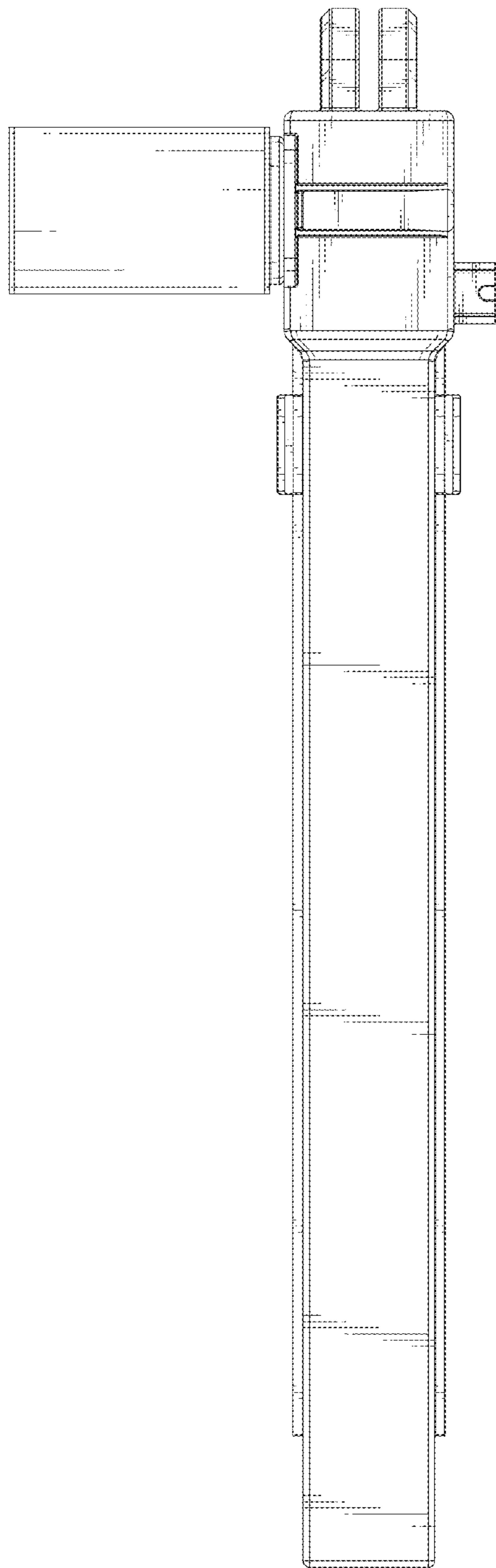


FIG.6

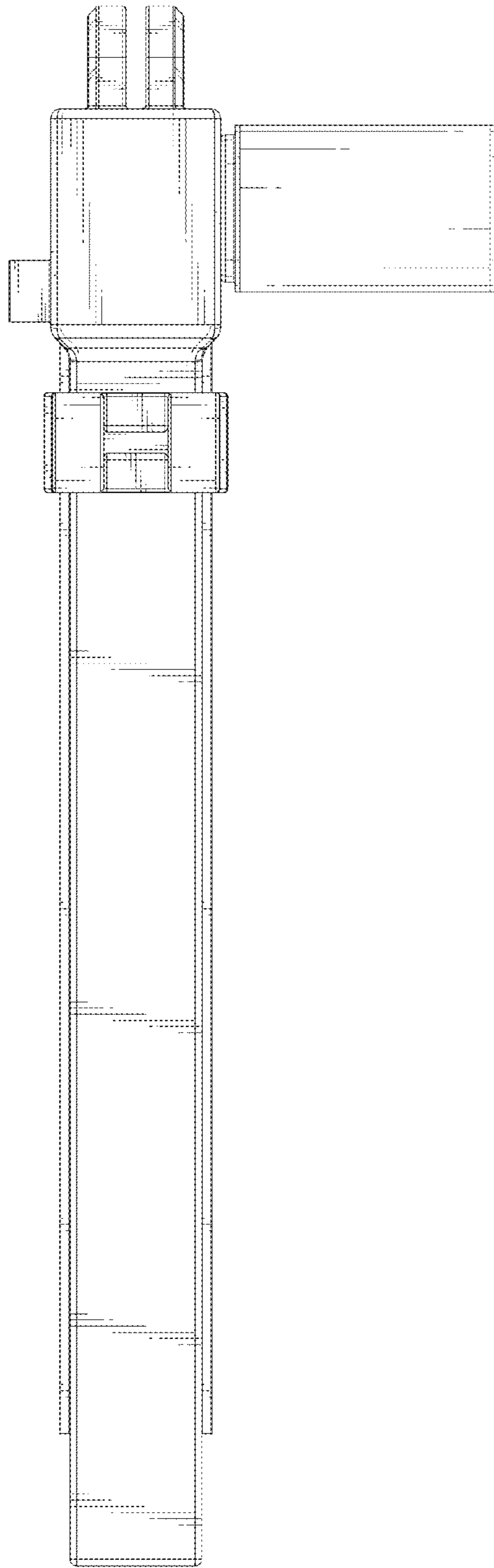


FIG.7

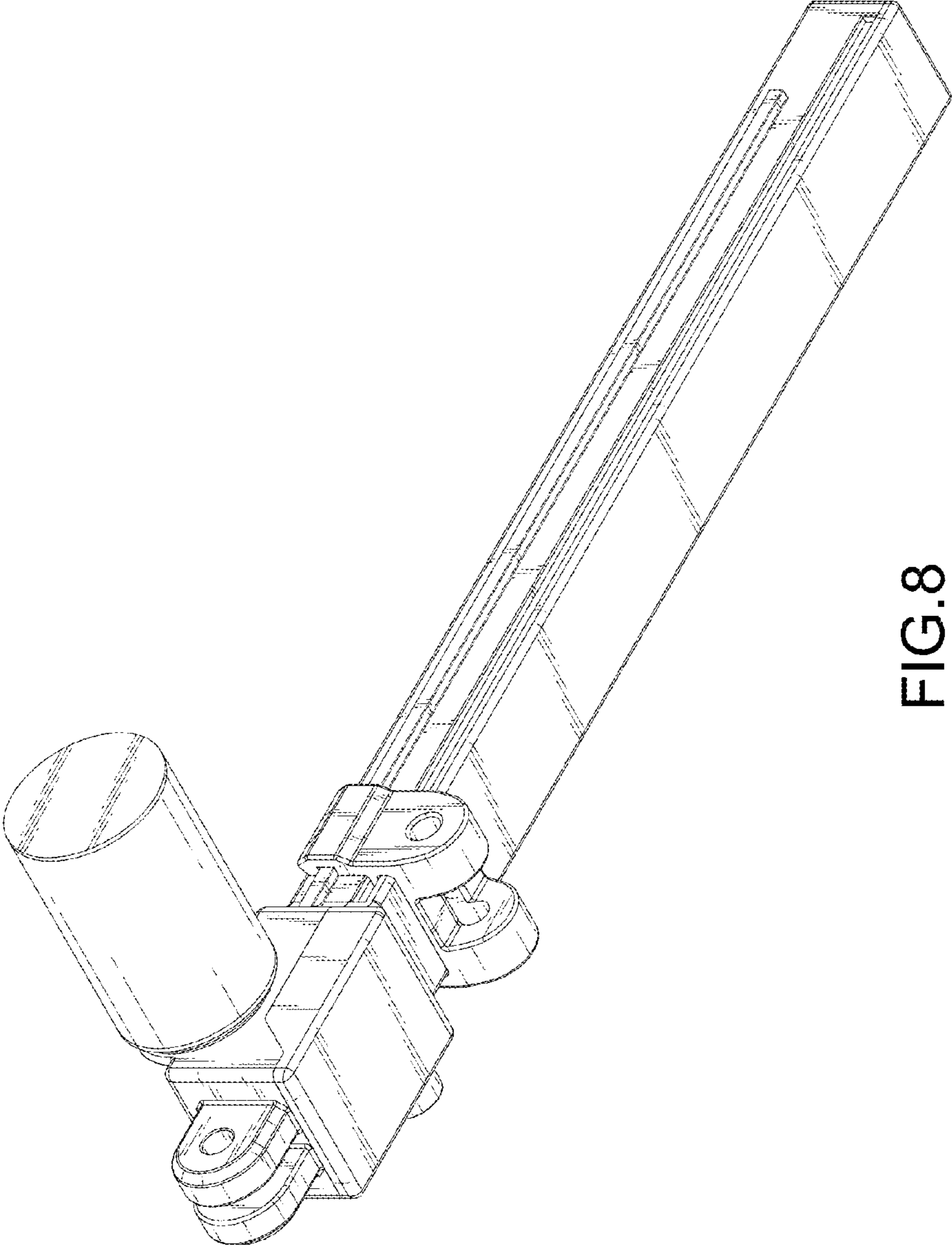


FIG.8

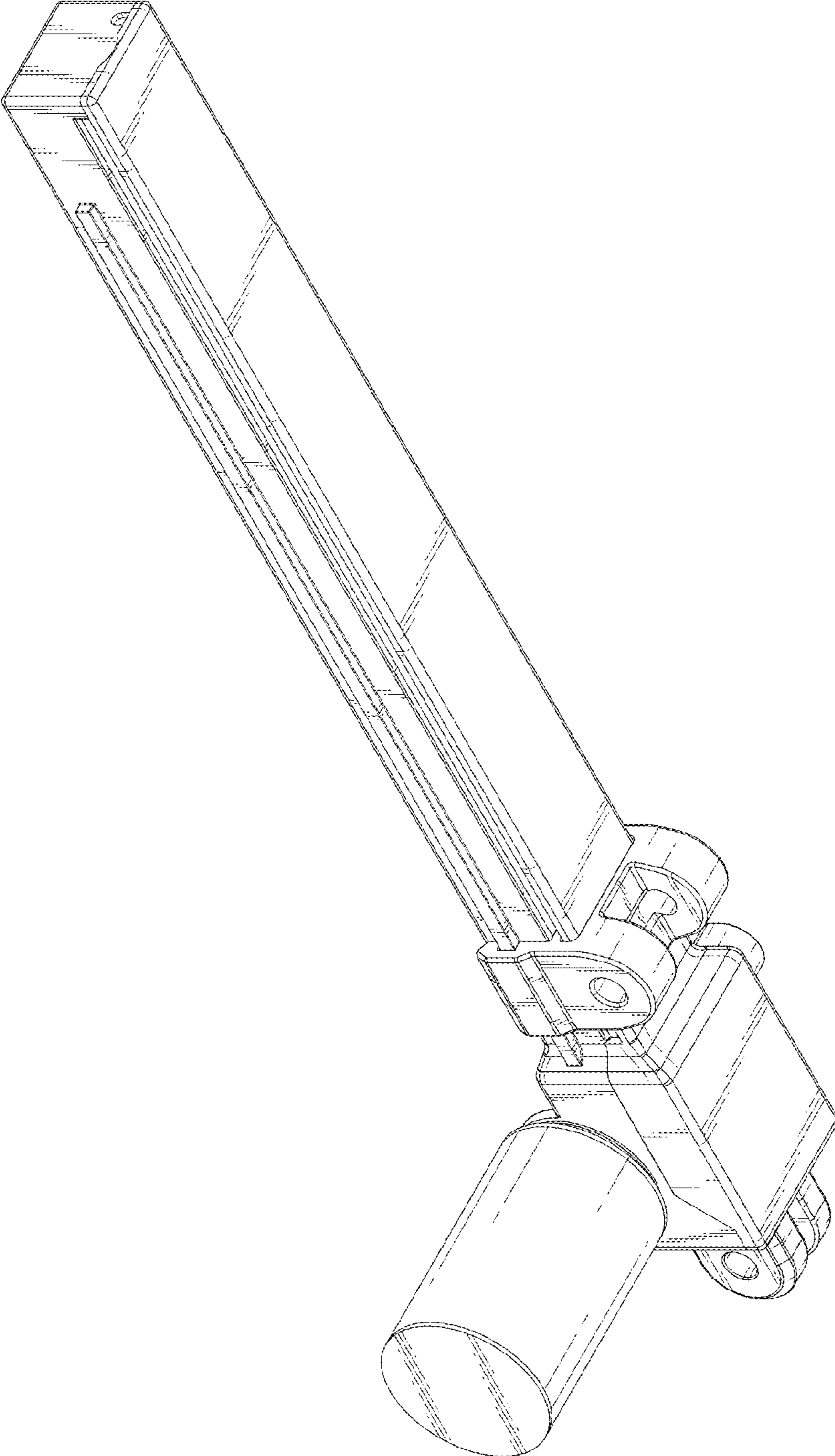


FIG.9