



US00D767654S

(12) **United States Design Patent**
Liu et al.

(10) **Patent No.:** **US D767,654 S**
(45) **Date of Patent:** **** Sep. 27, 2016**

(54) **MITER SAW WITH LOCKING MECHANISM**

(71) Applicants: **Robert Bosch Tool Corporation**,
Broadview, IL (US); **Robert Bosch GmbH**,
Stuttgart (DE)

(72) Inventors: **Jie Liu**, Lisle, IL (US); **Adam Thomas**,
Aurora, IL (US); **Plamen Marinov**,
Mount Prospect, IL (US)

(73) Assignees: **Robert Bosch Tool Corporation**,
Broadview, IL (US); **Robert Bosch GmbH**,
Stuttgart (DE)

(**) Term: **14 Years**

(21) Appl. No.: **29/489,973**

(22) Filed: **May 5, 2014**

Related U.S. Application Data

(63) Continuation of application No. 29/441,022, filed on
Dec. 30, 2012, now Pat. No. Des. 704,235, which is

(51) **LOC (10) Cl.** (Continued) **15-09**

(52) **U.S. Cl.**
USPC **D15/142**

(58) **Field of Classification Search**
USPC D15/124–134, 138–143, 28–29, 9, 17;
D10/64, 65; D8/70, 8, 66; D7/412;
82/113; 83/471.3

CPC B23D 45/044–45/048; B21D 17/04;
B23K 7/006; B23B 5/162; B23B 5/163
See application file for complete search history.

(56) **References Cited**

U.S. PATENT DOCUMENTS

D400,452 S * 11/1998 Schoene et al. D10/65
D435,569 S * 12/2000 Hollinger et al. D15/133
8,631,734 B2 * 1/2014 Liu 83/471.3
D704,235 S * 5/2014 Liu et al. D15/133
D719,469 S * 12/2014 Lane D10/65

(Continued)

Primary Examiner — Susan Bennett Hattan

Assistant Examiner — Brett Miller

(74) *Attorney, Agent, or Firm* — Maginot Moore & Beck
LLP

(57) **CLAIM**

The ornamental design for a miter saw with locking mechanism, as shown and described.

DESCRIPTION

FIG. 1 is a cutaway cross sectional view of a miter saw with locking mechanism taken along line I-I of FIG. 3 and showing our new design, the locking mechanism is shown in a locked position;

FIG. 2 is a cutaway cross sectional view of the miter saw with locking mechanism similar to the view shown in FIG. 1 but showing the locking mechanism in an unlocked position;

FIG. 3 is a top plan view of the miter saw with locking mechanism of FIG. 1 showing the locking mechanism in the locked position when a blade and motor assembly of the miter saw is in a fully retracted position;

FIG. 4 is a cutaway top plan view of the miter saw with locking mechanism of FIG. 1 with the locking mechanism shown in the locked position when the blade and motor assembly is in a fully extended position;

FIG. 5 is a perspective view of the miter saw with locking mechanism of FIG. 1 showing the locking mechanism in the unlocked position when the blade and motor assembly is in the fully retracted position;

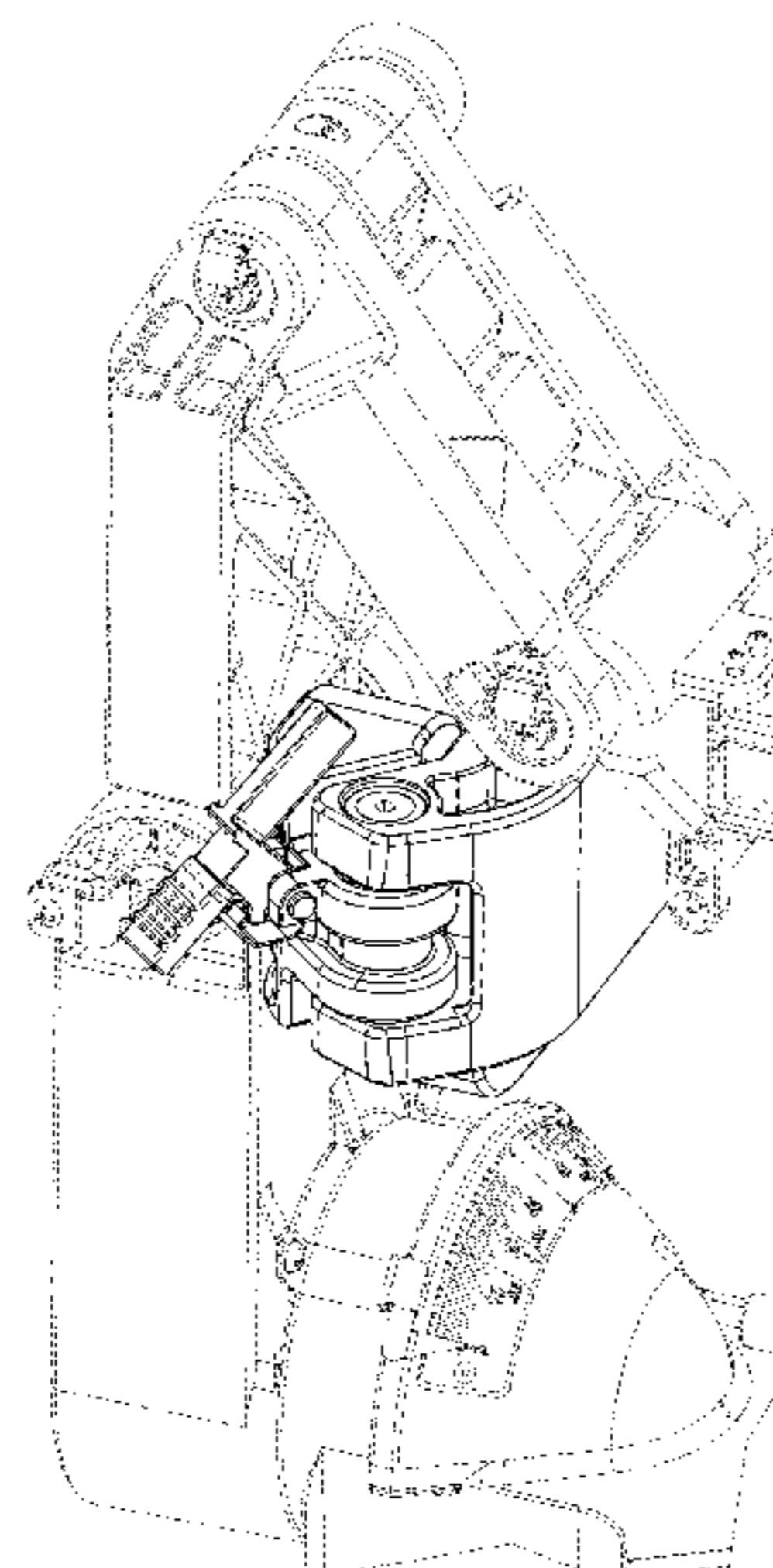
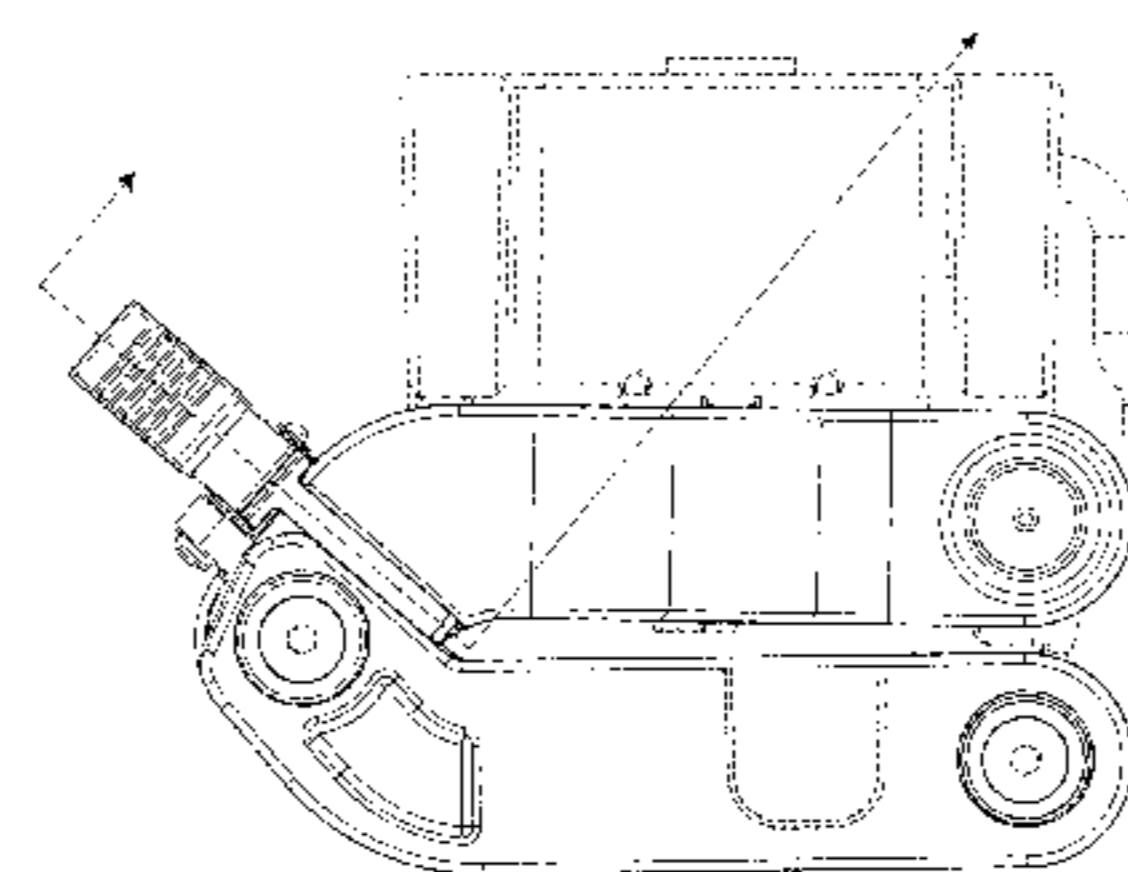
FIG. 6 is a perspective view of the miter saw with locking mechanism of FIG. 1 showing the locking mechanism in the locked position when the blade and motor assembly is in the fully retracted position;

FIG. 7 is a perspective view of the miter saw with locking mechanism of FIG. 1 showing the locking mechanism in the locked position when the blade and motor assembly is in the fully extended position; and,

FIG. 8 is a perspective view of the miter saw with locking mechanism of FIG. 1 showing the locking mechanism in the unlocked position when the blade and motor assembly is in the fully extended position.

The broken lines shown in the drawings illustrate portions of the miter saw with locking mechanism that form no part of the claimed design. The dash-dot lines of FIGS. 1, 2, and 4 are cutaway lines that form no part of the claimed design.

1 Claim, 6 Drawing Sheets



Related U.S. Application Data

a continuation of application No. 13/194,666, filed on Jul. 29, 2011, now Pat. No. 8,857,303, which is a continuation-in-part of application No. 11/284,931, filed on Nov. 22, 2005, now Pat. No. 8,499,672, and a continuation-in-part of application No. 12/797,043, filed on Jun. 9, 2010, now Pat. No. 8,322,261.

(56)

References Cited

U.S. PATENT DOCUMENTS

2004/0112190	A1 *	6/2004	Hollis et al.	83/13
2006/0011037	A1 *	1/2006	Ushiwata et al.	83/581
2007/0113718	A1 *	5/2007	Oberheim	83/471.3
2007/0137452	A1 *	6/2007	Oberheim	83/471.3
2010/0058909	A1 *	3/2010	Chen	83/471.3
2011/0303065	A1 *	12/2011	Liu et al.	83/471.3

* cited by examiner

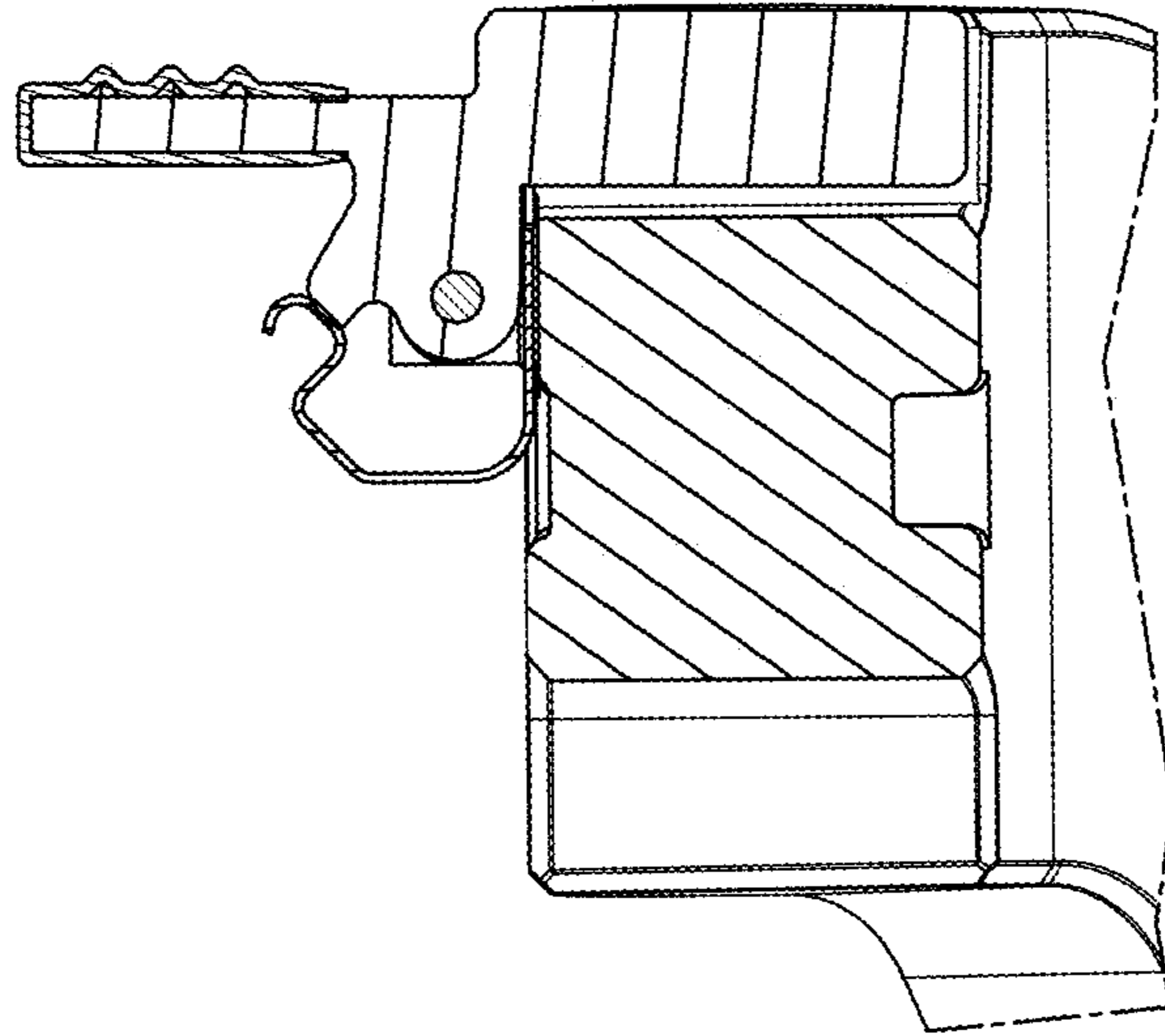


FIG. 1

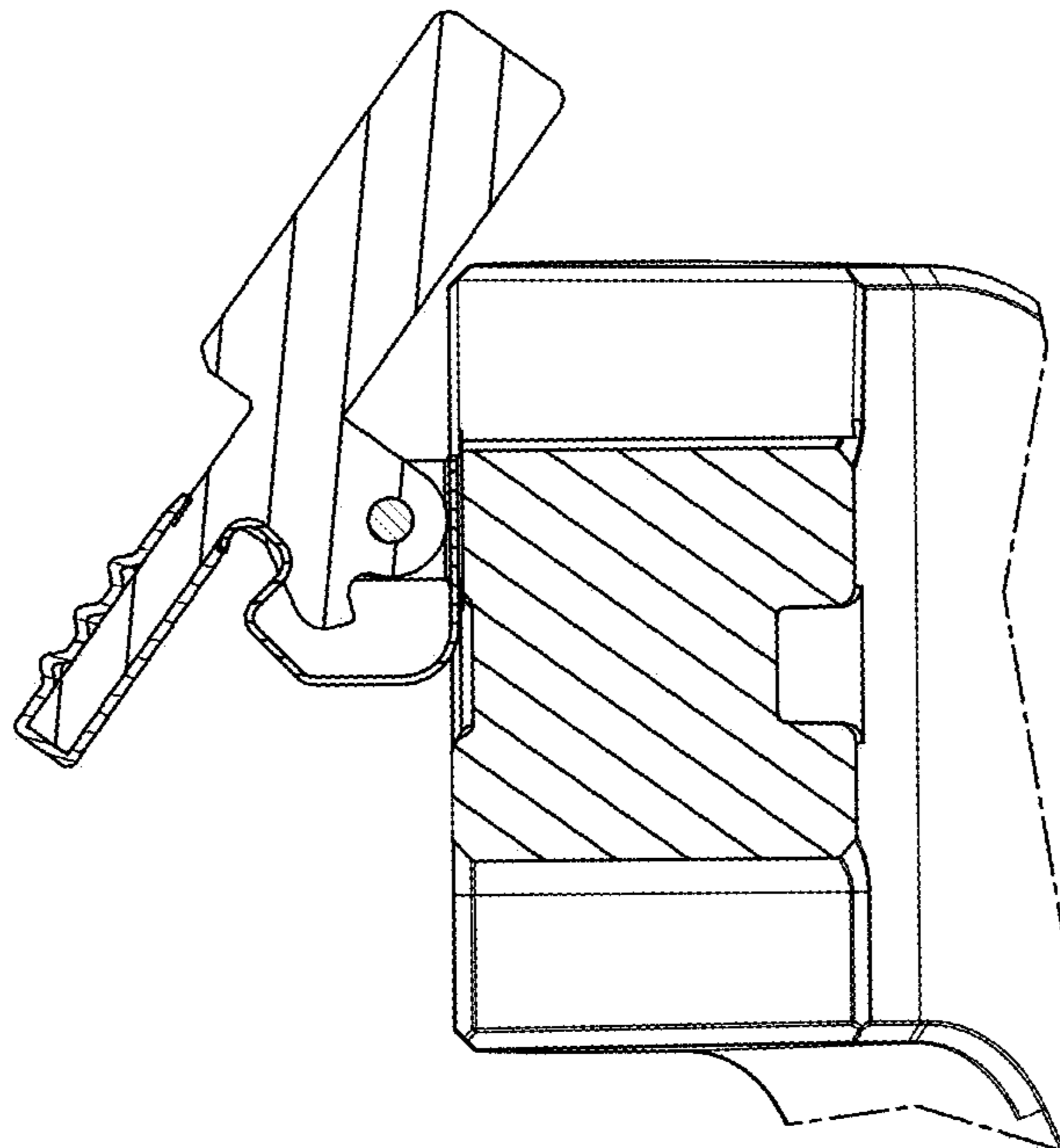


FIG. 2

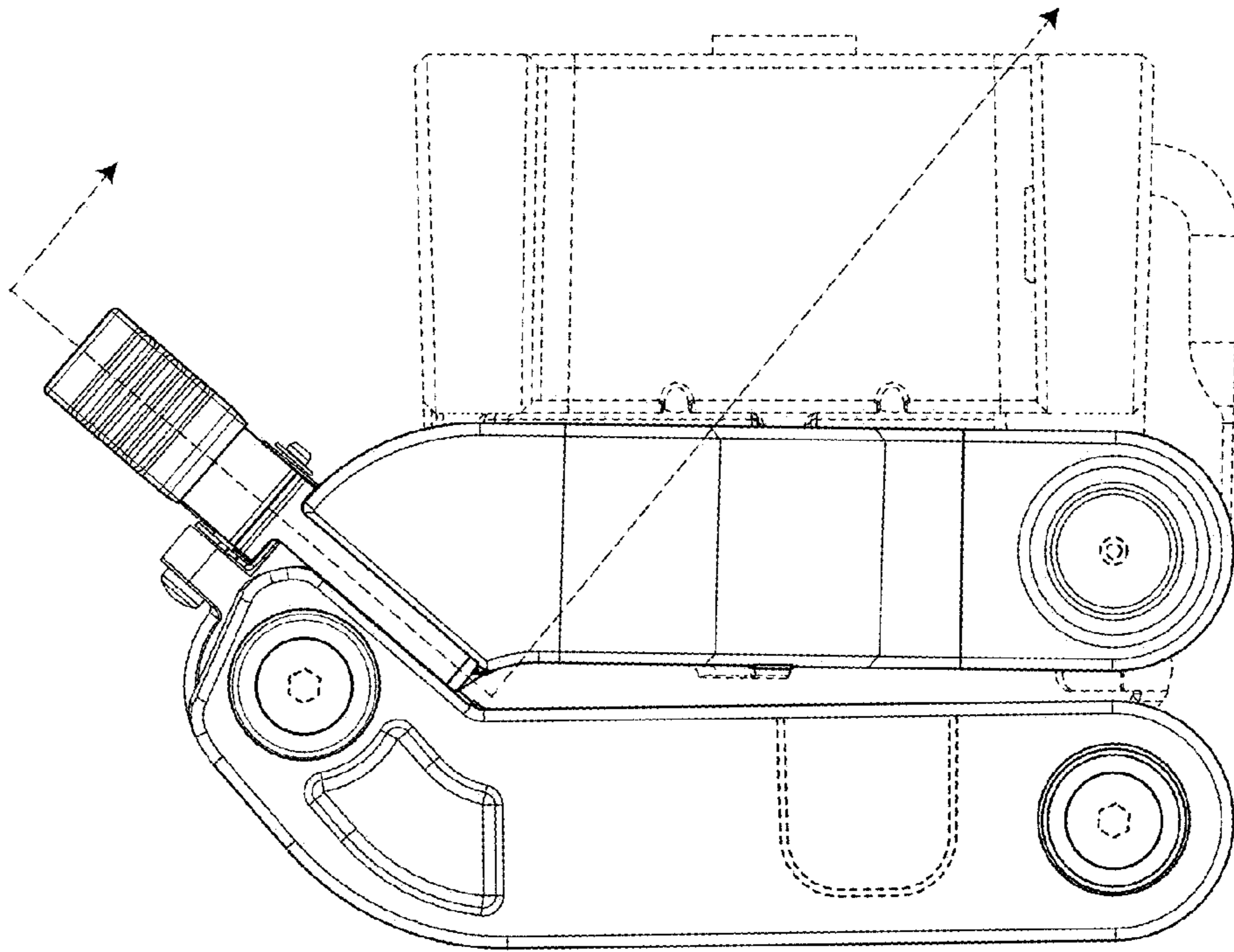


FIG. 3

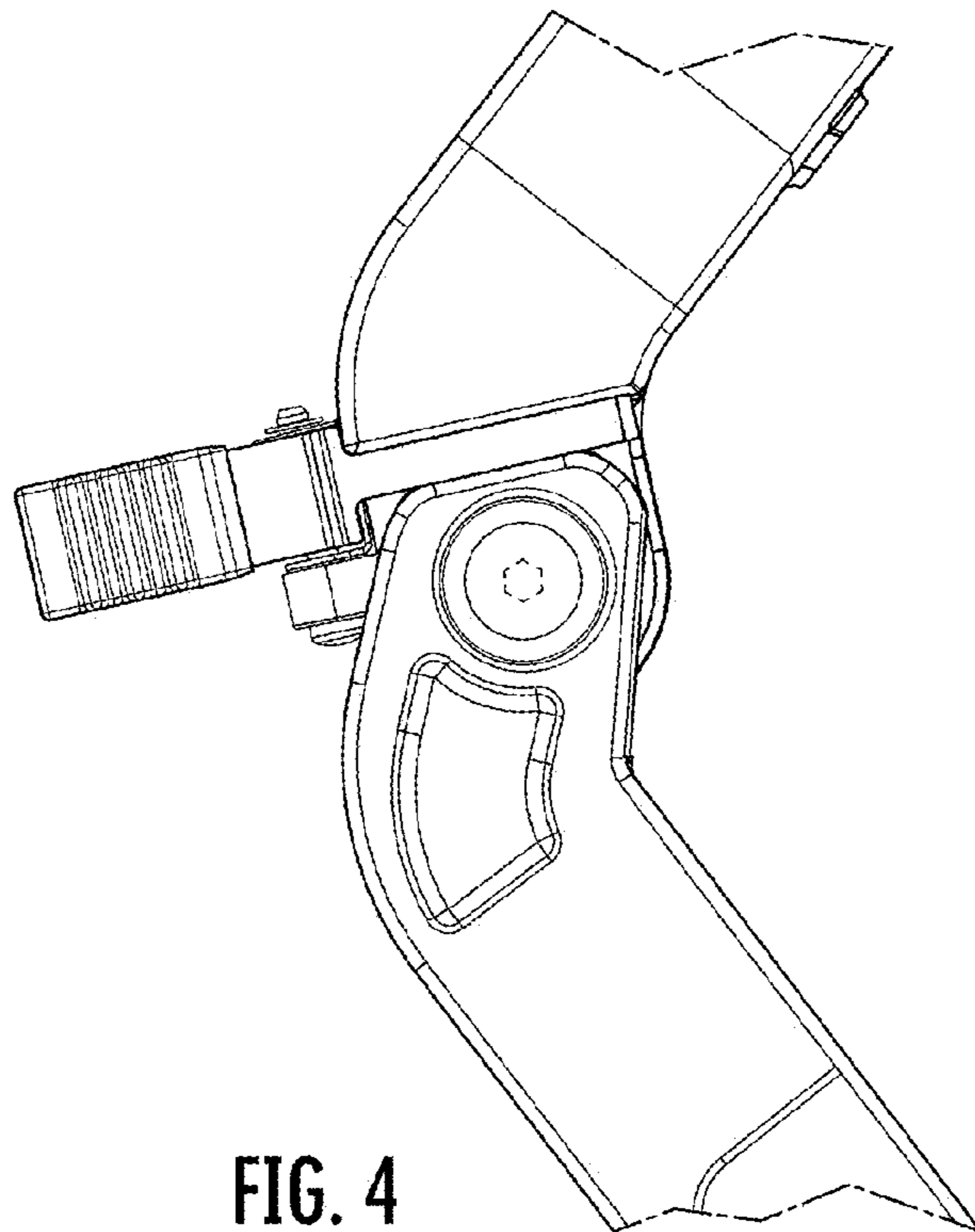


FIG. 4

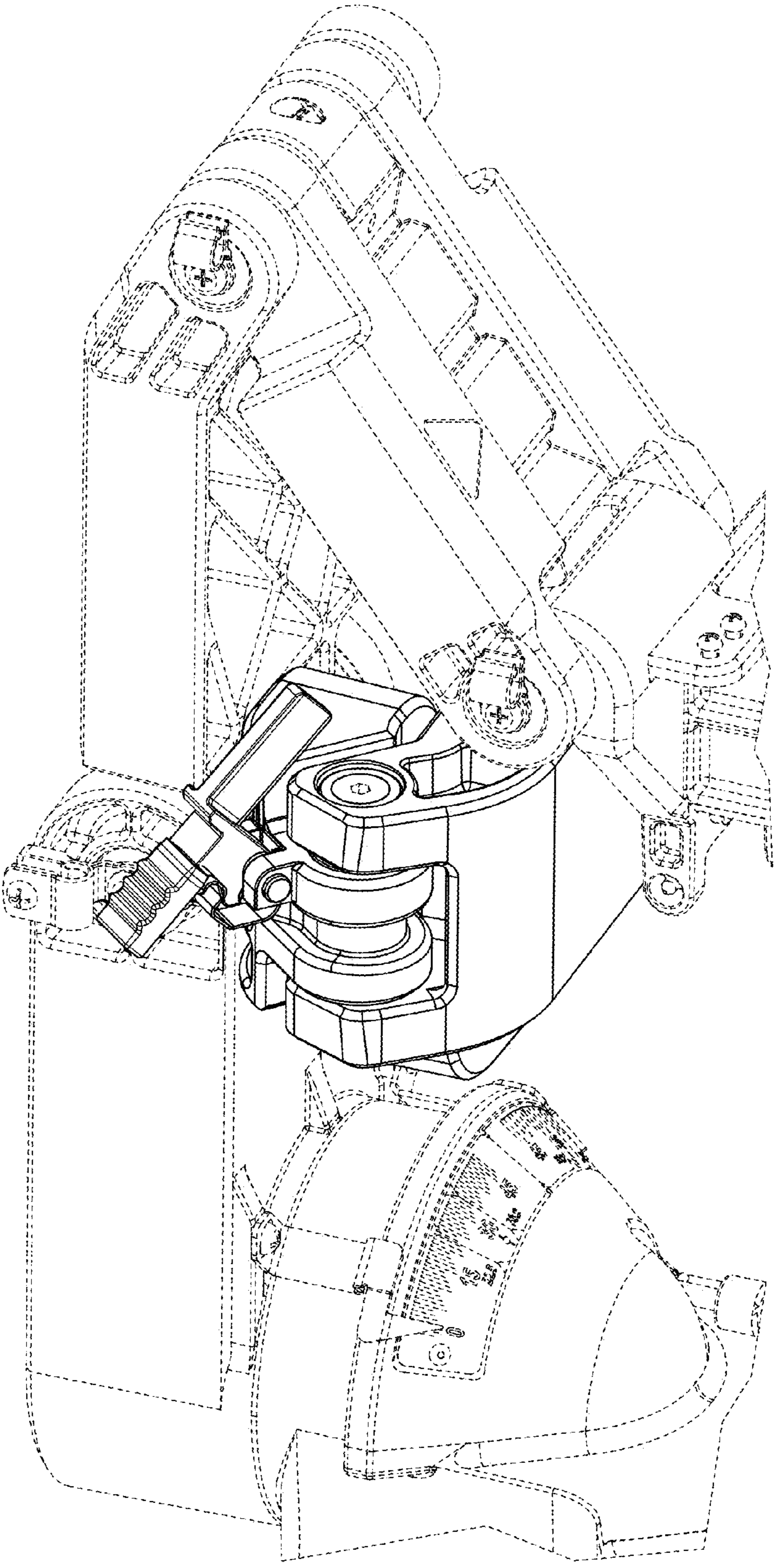


FIG. 5

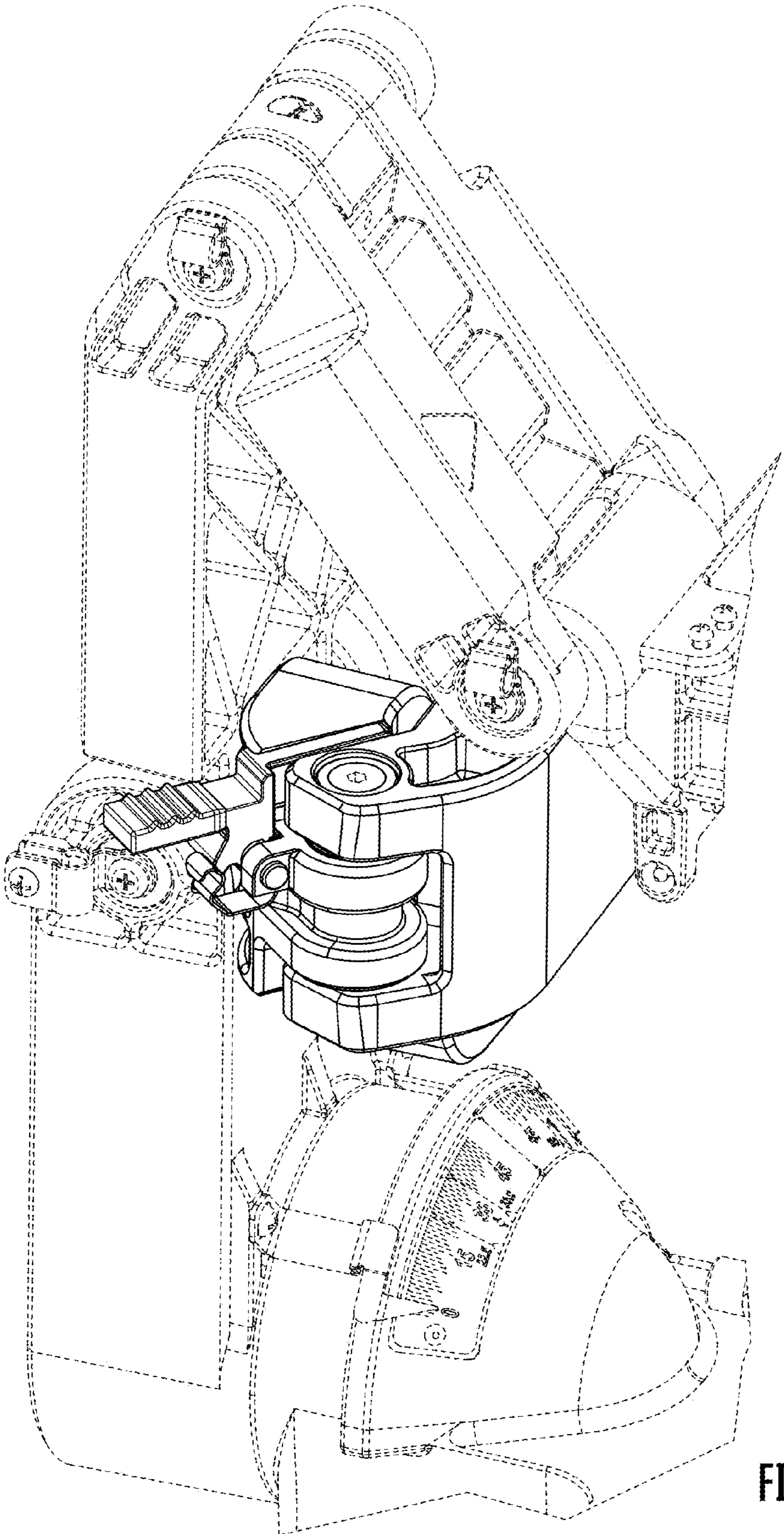


FIG. 6

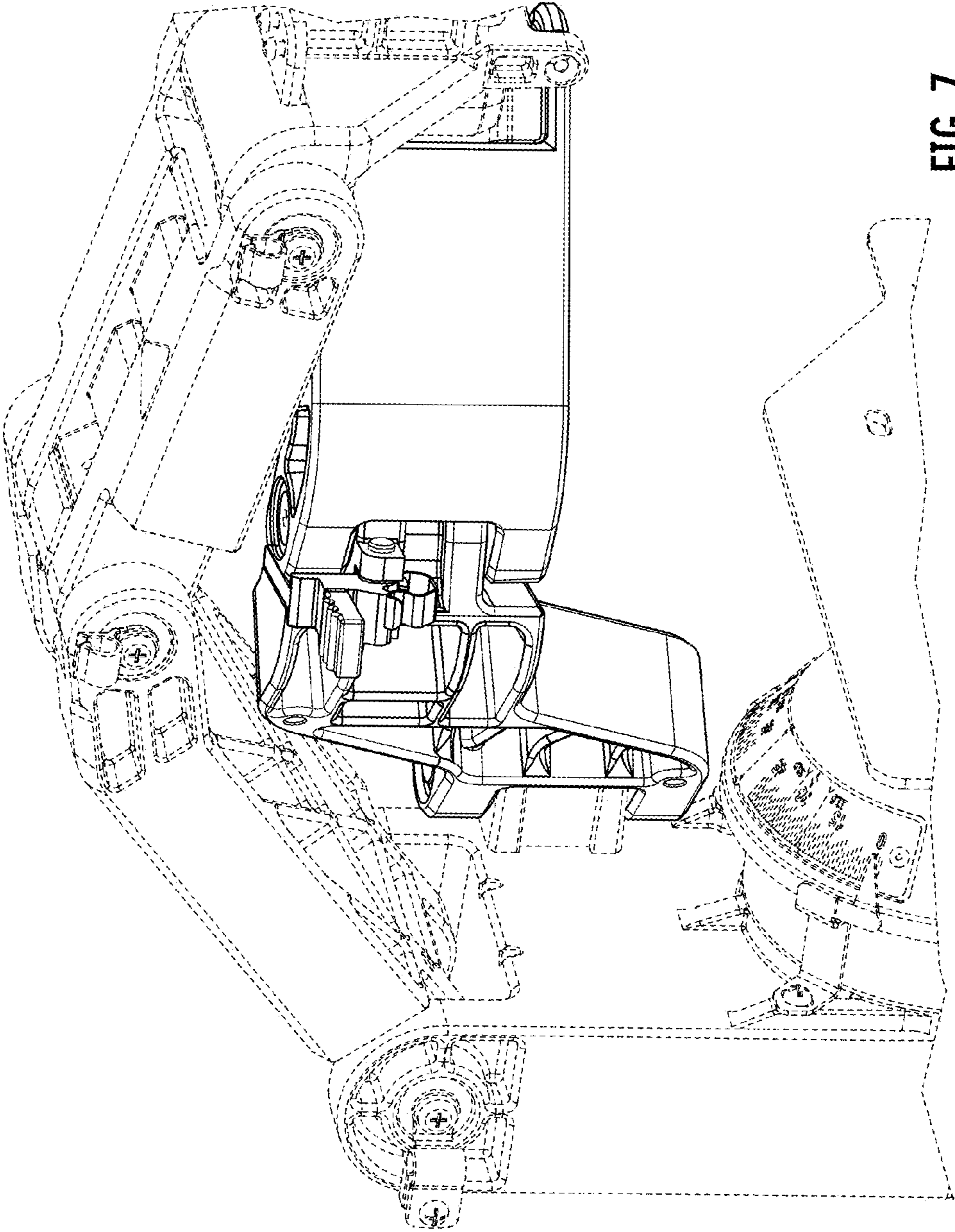


FIG. 7

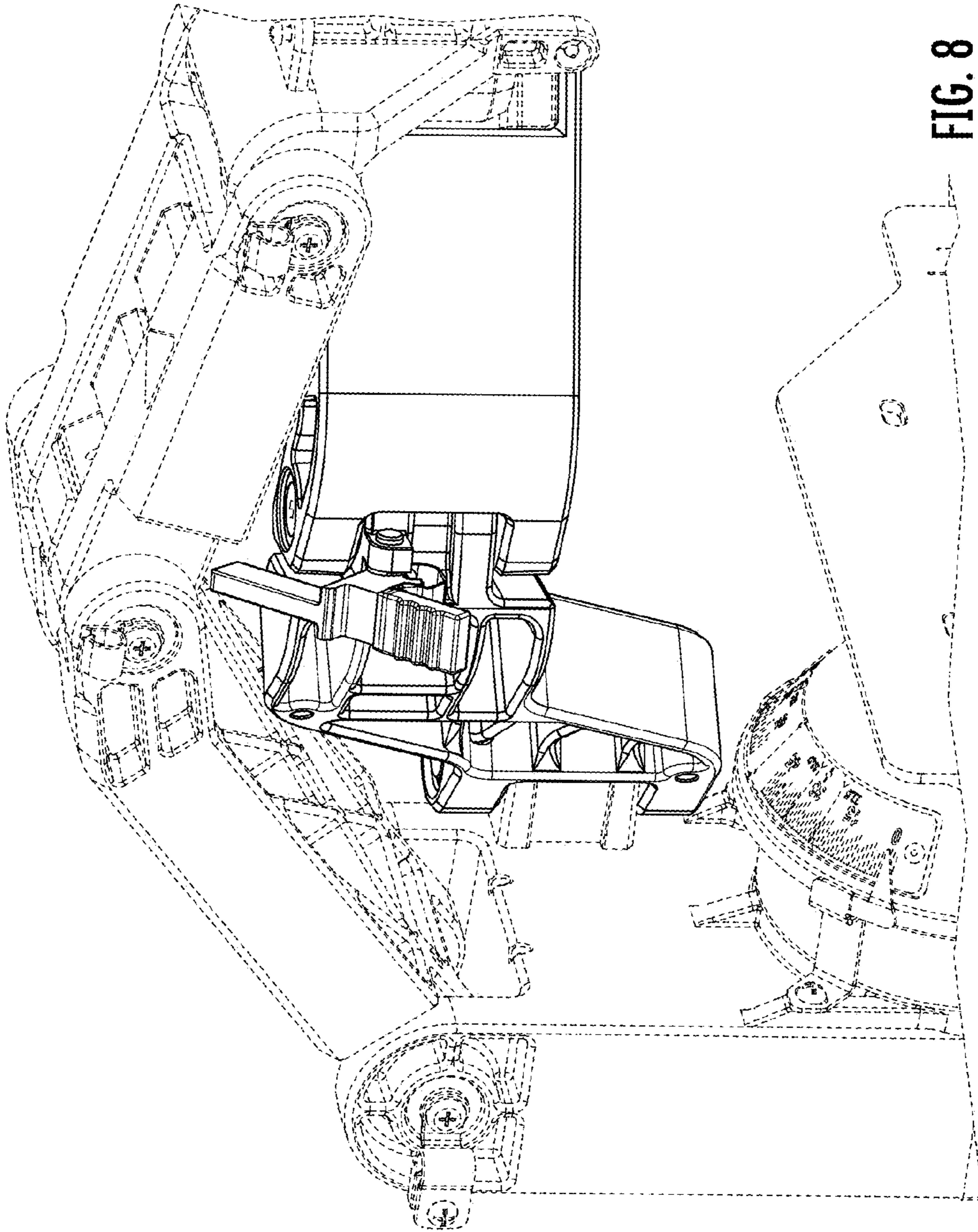


FIG. 8