



US00D767653S

(12) **United States Design Patent**  
**McIntosh**

(10) **Patent No.:** **US D767,653 S**

(45) **Date of Patent:** **\*\* Sep. 27, 2016**

(54) **CUTTING TOOL**

(71) Applicant: **Tom McIntosh**, Torrington, WY (US)

(72) Inventor: **Tom McIntosh**, Torrington, WY (US)

(\*\*) Term: **15 Years**

(21) Appl. No.: **29/536,639**

(22) Filed: **Aug. 18, 2015**

(51) **LOC (10) Cl.** ..... **15-09**

(52) **U.S. Cl.**  
USPC ..... **D15/139**

(58) **Field of Classification Search**  
USPC ..... D8/20, 70; D15/126, 131, 138, 139,  
D15/140

See application file for complete search history.

(56) **References Cited**

U.S. PATENT DOCUMENTS

D324,526 S *	3/1992	Degen	.....	D15/138
7,073,986 B2 *	7/2006	Andras	.....	B23B 27/1651 407/113
D550,053 S *	9/2007	Halstead	.....	D8/70
D550,730 S *	9/2007	Nicholas	.....	D15/140
D556,529 S *	12/2007	Gamble	.....	D8/70
D586,918 S *	2/2009	Simons	.....	D24/155
D695,082 S *	12/2013	Huang	.....	D8/5

D696,702 S *	12/2013	Wilberts	.....	D15/127
D715,341 S *	10/2014	Schell	.....	D15/139
RE45,536 E *	6/2015	Andras		
D732,916 S *	6/2015	Spirer	.....	D8/61
D735,926 S *	8/2015	Holley	.....	D26/113
D745,065 S *	12/2015	Losen	.....	D15/32

\* cited by examiner

*Primary Examiner* — Patricia Palasik

(74) *Attorney, Agent, or Firm* — Marsh Fischmann & Breyfogle LLP

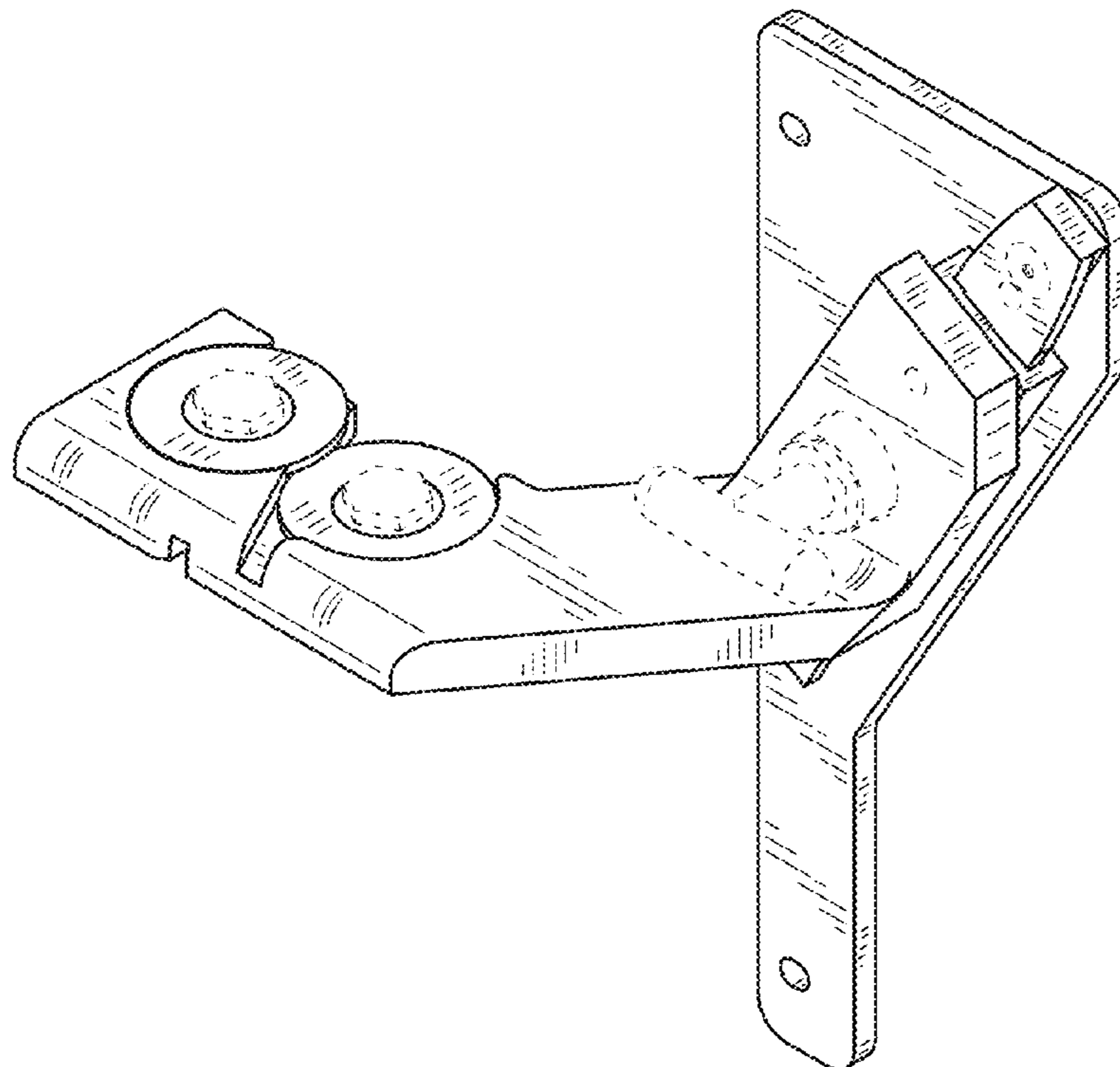
(57) **CLAIM**

The ornamental design for a cutting tool, as shown and described.

**DESCRIPTION**

FIG. 1 is a front-right perspective view of the cutting tool; FIG. 2 is a front-left perspective view of the cutting tool; FIG. 3 is a front view of the cutting tool; FIG. 4 is a back view of the cutting tool; FIG. 5 is a left side view of the cutting tool; FIG. 6 is a right side view of the cutting tool; FIG. 7 is a top view of the cutting tool; and, FIG. 8 is a bottom view of the cutting tool. The broken lines in the drawings form no part of the design to be patented.

**1 Claim, 8 Drawing Sheets**



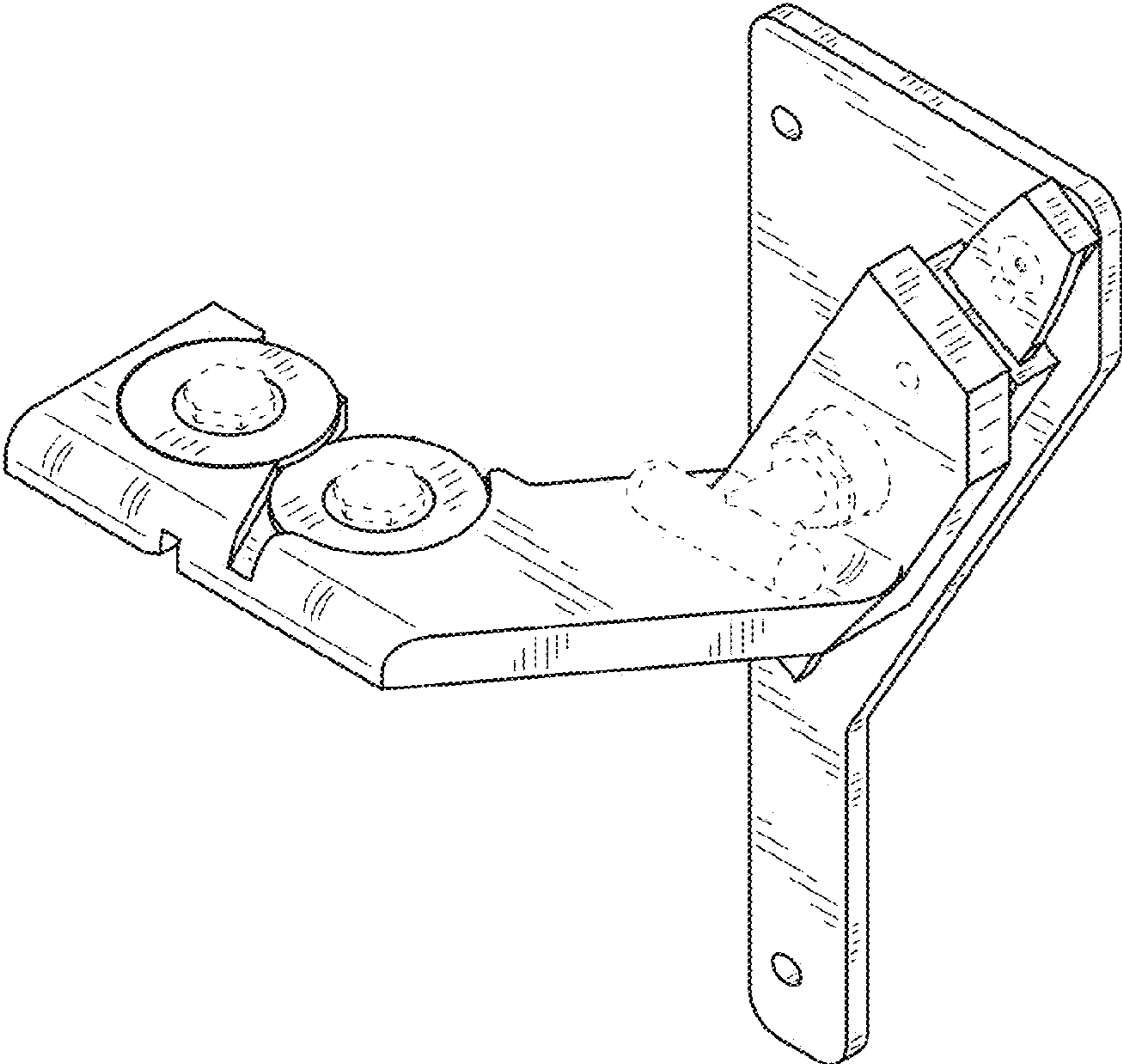


FIG.1

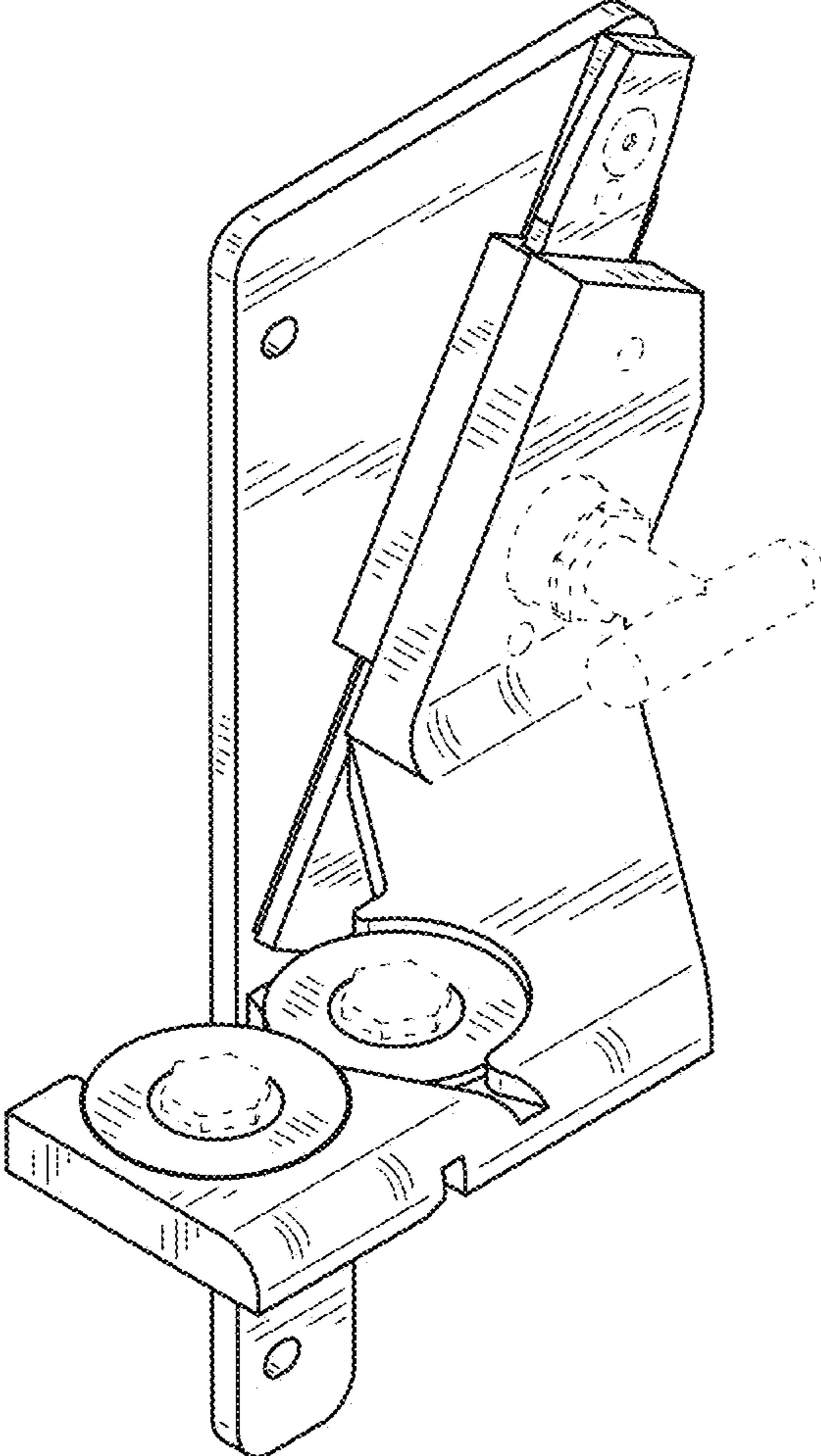


FIG.2

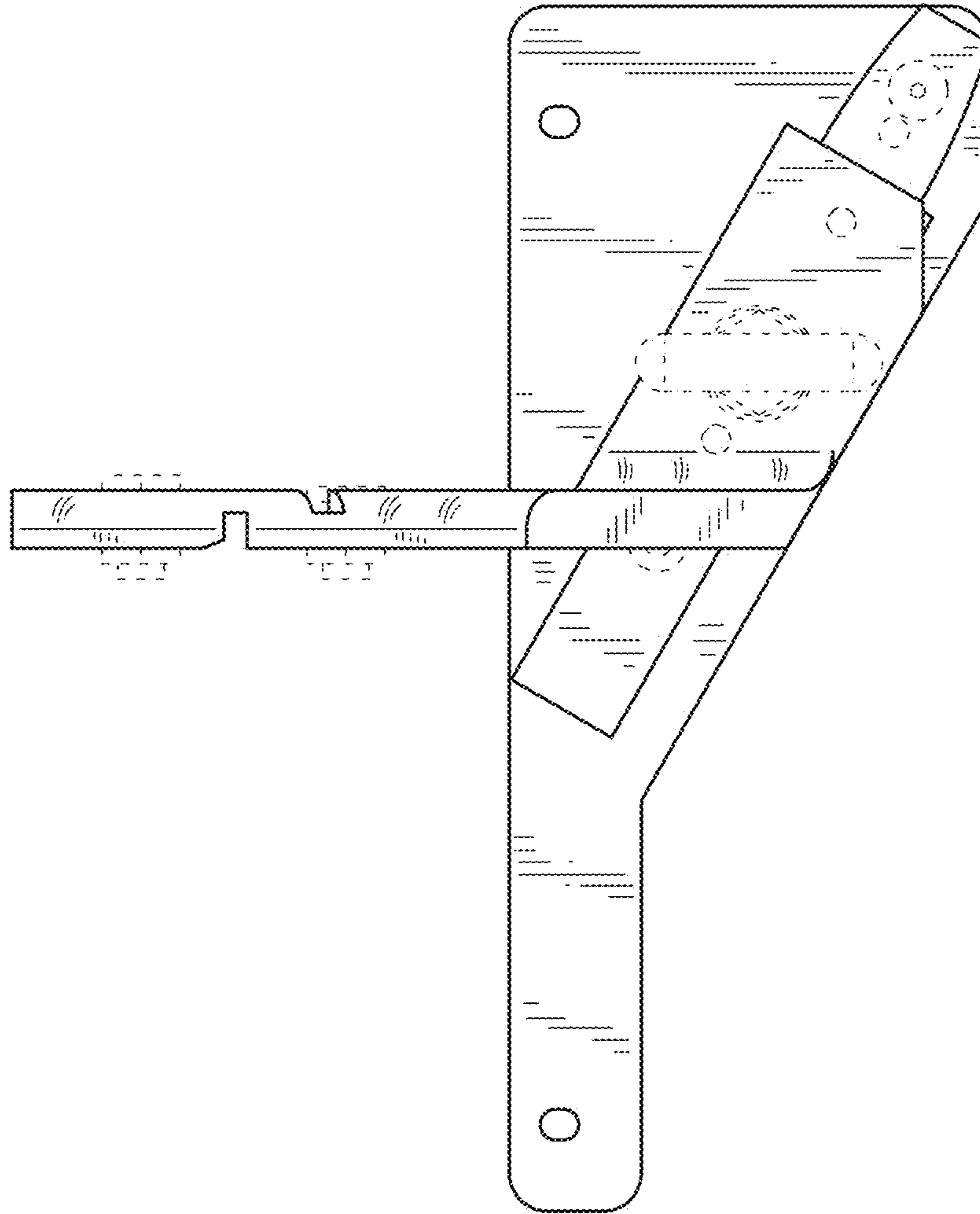


FIG.3

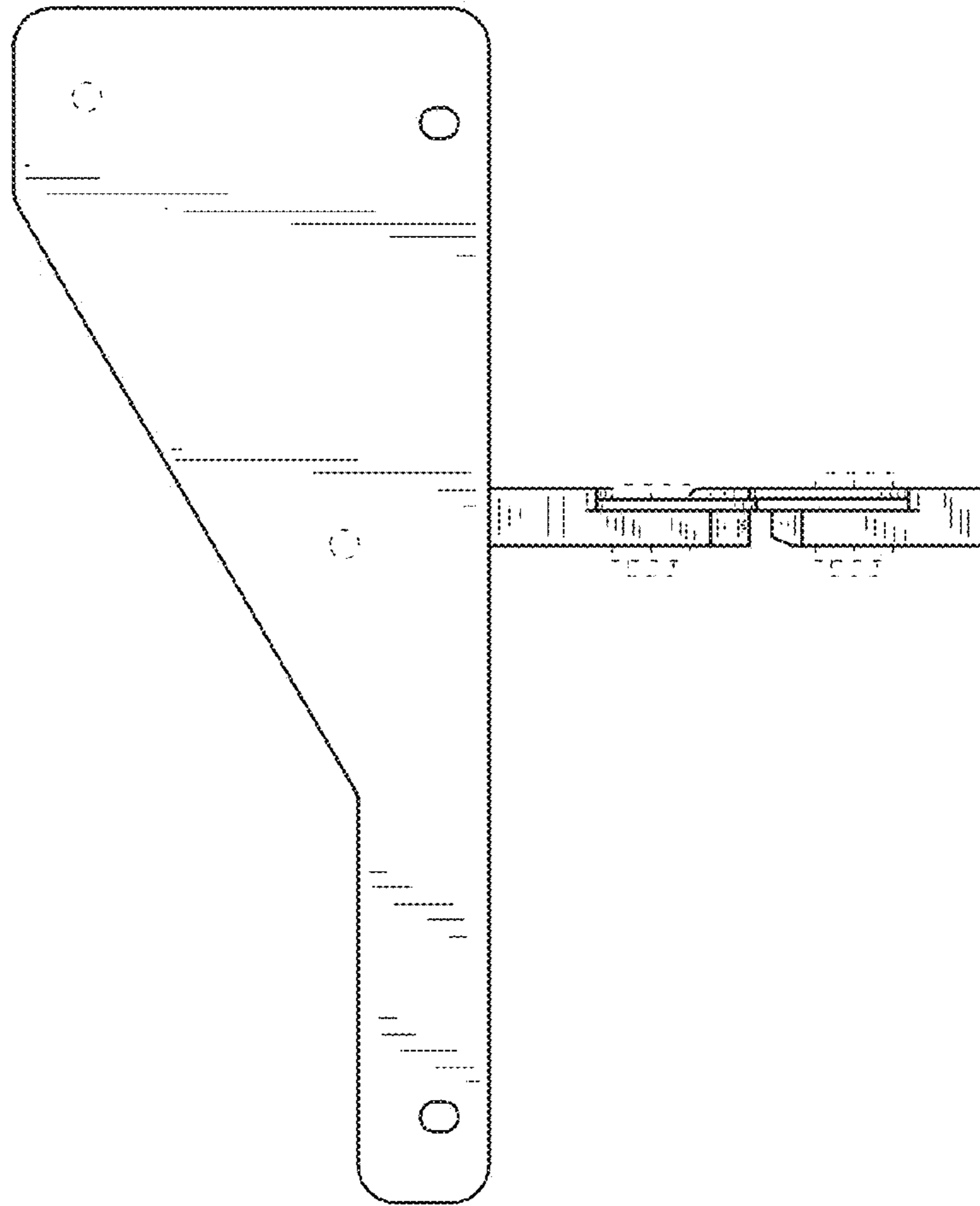


FIG.4

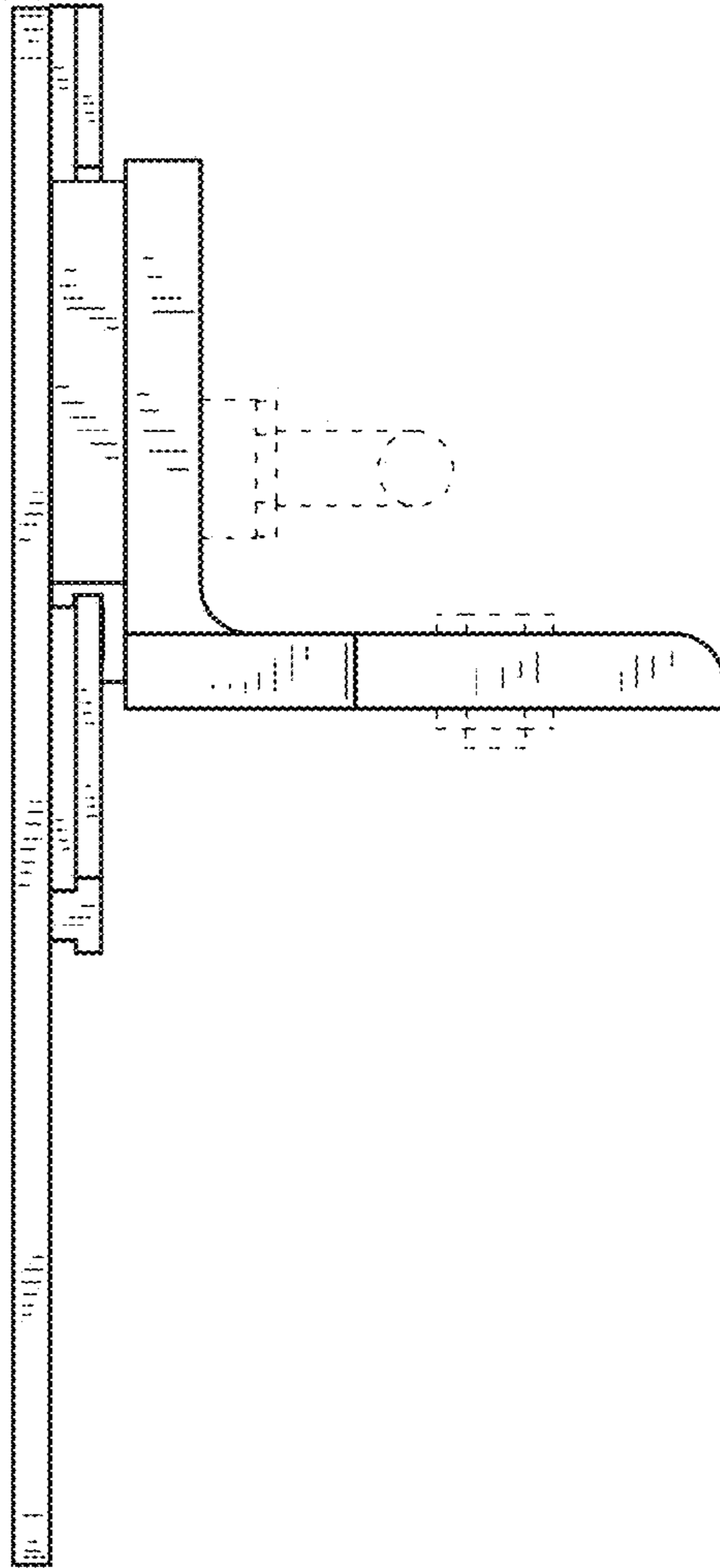


FIG.5

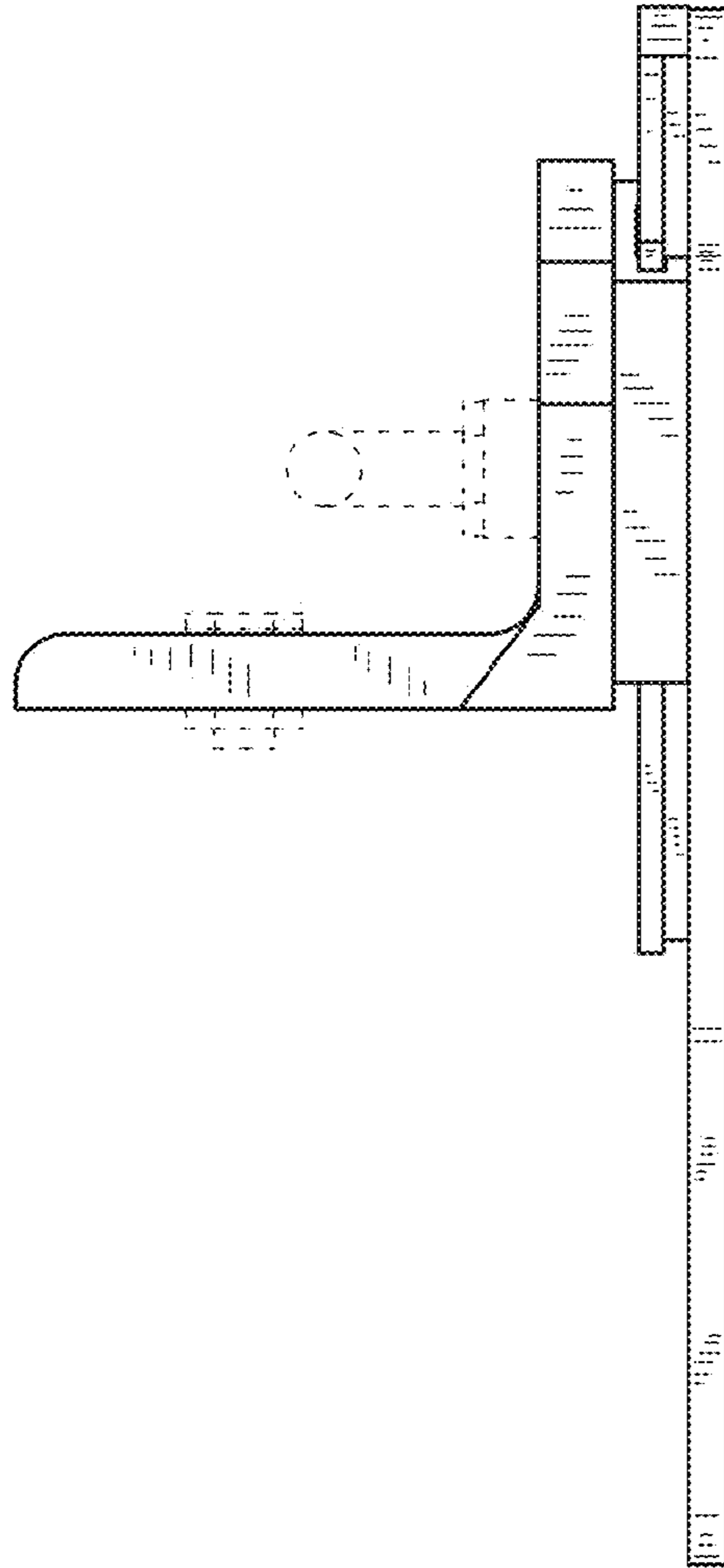


FIG.6

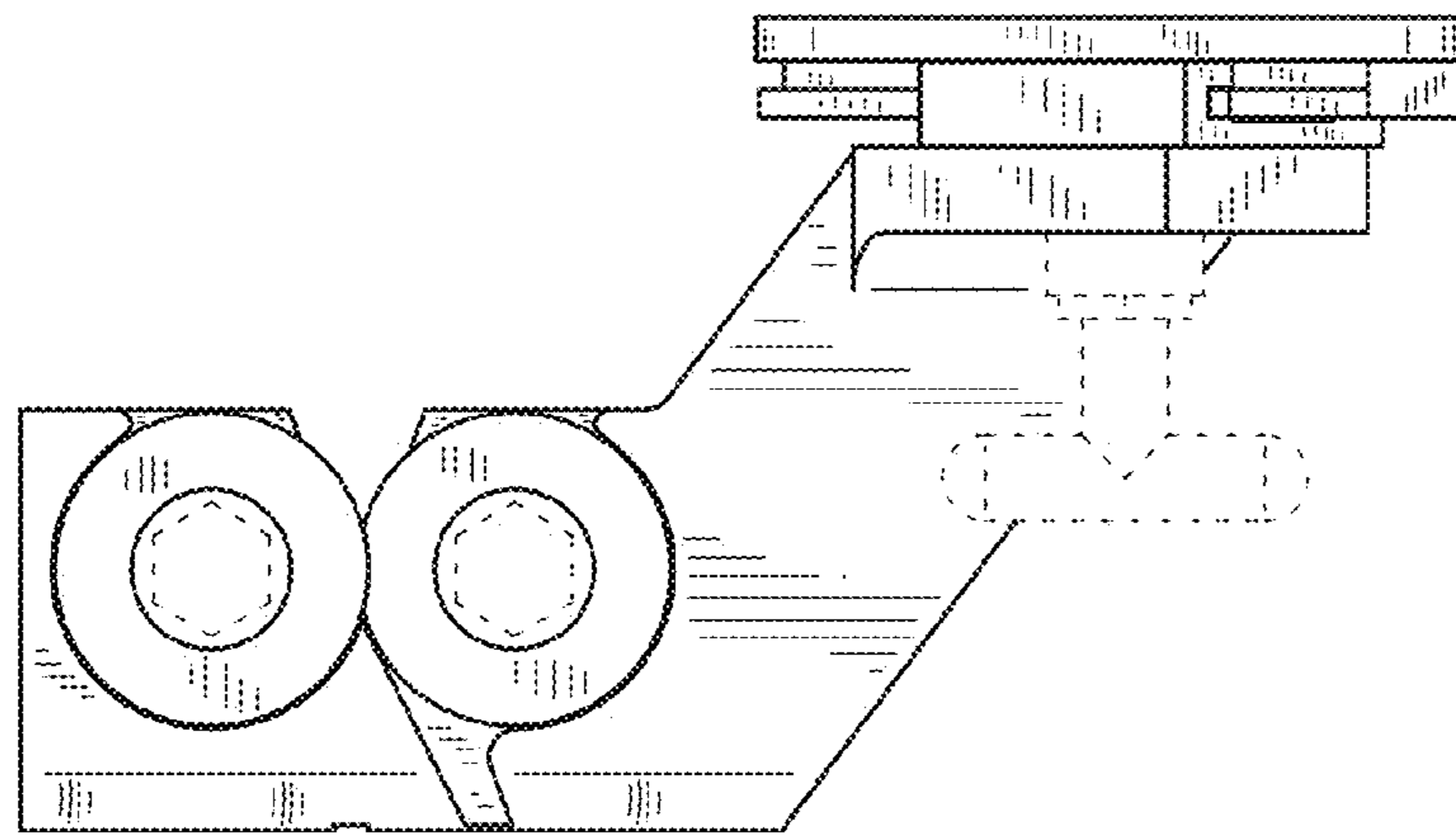


FIG.7



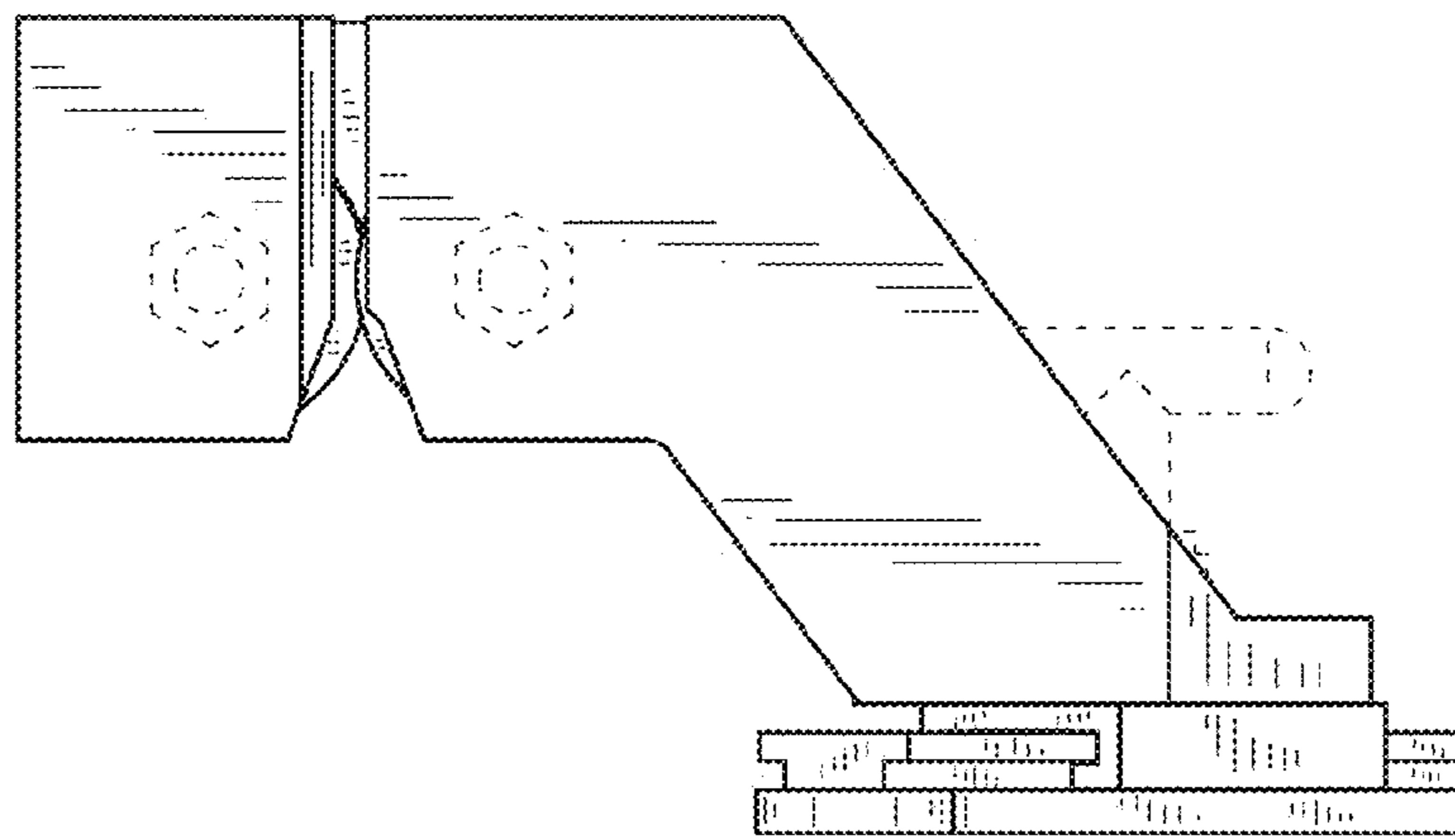


FIG. 8