



US00D767652S

(12) **United States Design Patent** (10) **Patent No.:** **US D767,652 S**
Schönherr et al. (45) **Date of Patent:** **** Sep. 27, 2016**

(54) **BENDING MACHINE**
(71) Applicant: **TRUMPF GmbH + Co. KG**, Ditzingen (DE)
(72) Inventors: **Tom Schönherr**, Stuttgart (DE); **Andreas Diefenbach**, Ludwigsburg-Ossweil (DE); **Dina Gallo**, Stuttgart (DE)
(73) Assignee: **TRUMPF GmbH + Co. KG**, Ditzingen (DE)
(**) Term: **14 Years**
(21) Appl. No.: **29/517,530**
(22) Filed: **Feb. 13, 2015**

(30) **Foreign Application Priority Data**
Aug. 15, 2014 (EM) 002520346
(51) **LOC (10) Cl.** **15-09**
(52) **U.S. Cl.**
USPC **D15/122**
(58) **Field of Classification Search**
USPC D15/122, 123, 128, 131, 138
See application file for complete search history.

(56) **References Cited**
U.S. PATENT DOCUMENTS
4,831,862 A * 5/1989 Ohashi et al. 72/389.3
5,012,661 A * 5/1991 Catti et al. 72/21.1
5,058,406 A * 10/1991 Sartorio et al. 72/16.2
5,182,936 A * 2/1993 Sartorio 72/420
5,186,037 A * 2/1993 Bihler 72/442
D349,504 S * 8/1994 Mizukawa et al. D15/138
D357,925 S * 5/1995 Dossey D15/122

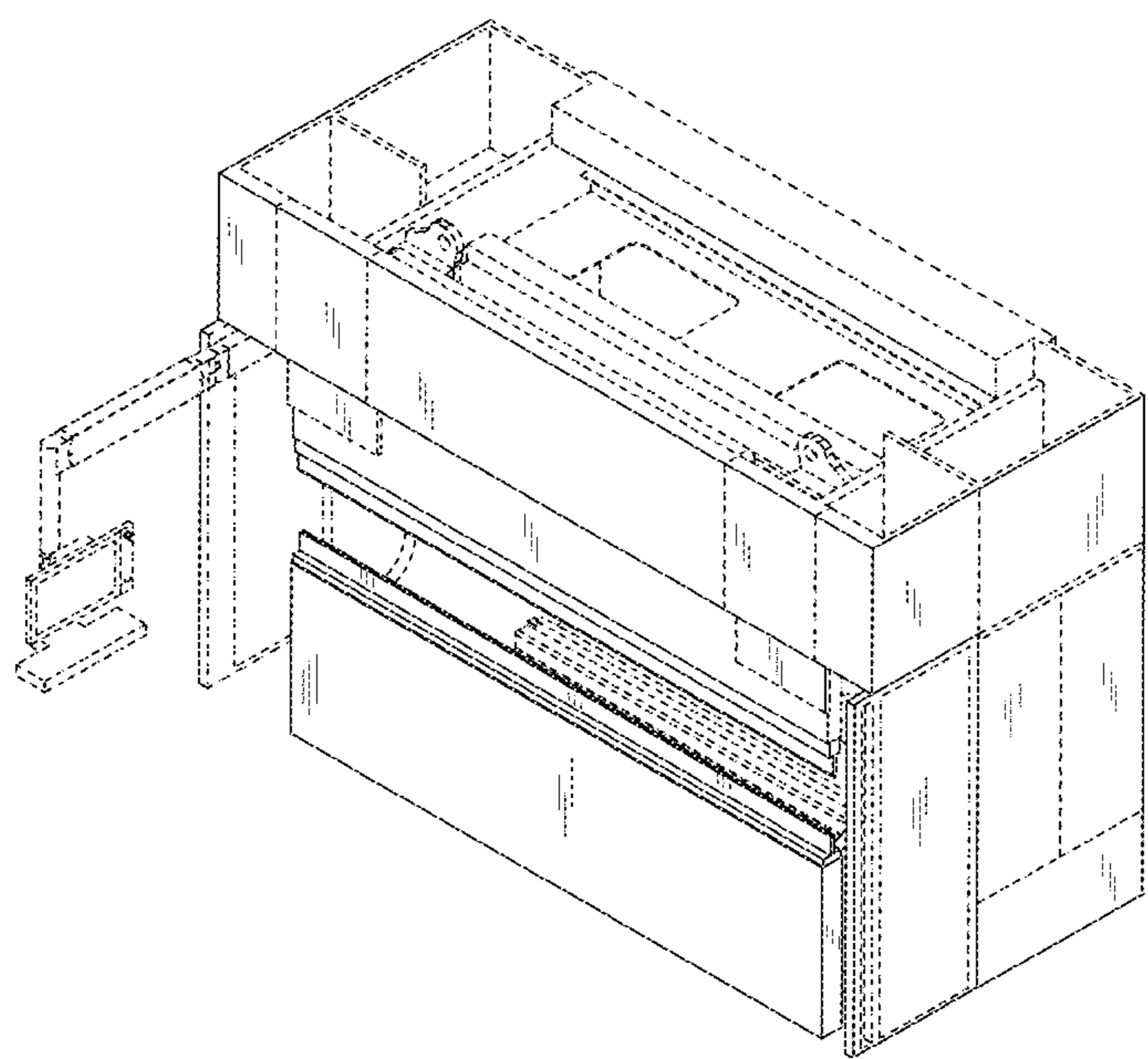
D382,282 S * 8/1997 Micouleau D15/122
5,678,441 A * 10/1997 Schwarze 72/149
5,927,135 A * 7/1999 Kutschker 72/319
6,058,756 A * 5/2000 Kutschker 72/319
6,134,932 A * 10/2000 Marque et al. 72/149
6,170,314 B1 * 1/2001 Codatto 72/316
6,170,315 B1 * 1/2001 Codatto 72/316
D456,823 S * 5/2002 Davi D15/123
6,434,993 B1 * 8/2002 Broggi et al. 72/157
D486,164 S * 2/2004 Muller et al. D15/123
6,694,794 B2 * 2/2004 Crippa 72/307
7,076,984 B2 * 7/2006 Cappello et al. 72/250
7,082,798 B2 * 8/2006 Schmauder et al. 72/150
7,234,332 B2 * 6/2007 Kutschker 72/20.1
7,721,582 B2 * 5/2010 Speck 72/306
7,891,225 B2 * 2/2011 Hammerer et al. 72/306
8,266,942 B2 * 9/2012 Zhou et al. 72/455
8,555,690 B2 * 10/2013 Codatto 72/319
9,067,255 B2 * 6/2015 Fries et al.
D734,787 S 7/2015 Schönherr et al.

* cited by examiner
Primary Examiner — Patricia Palasik
(74) *Attorney, Agent, or Firm* — Fish & Richardson P.C.

(57) **CLAIM**
The ornamental design for a bending machine, substantially as shown and described.

DESCRIPTION
FIG. 1 is a front perspective view of our bending machine. FIG. 2 is a front view of our bending machine. FIG. 3 is a back view of our bending machine. FIG. 4 is a right side view of our bending machine. FIG. 5 is a left side view of our bending machine. FIG. 6 is a top view of our bending machine; and, FIG. 7 is a bottom view of our bending machine. The broken lines illustrate environmental features that form no part of the claimed design.

1 Claim, 4 Drawing Sheets



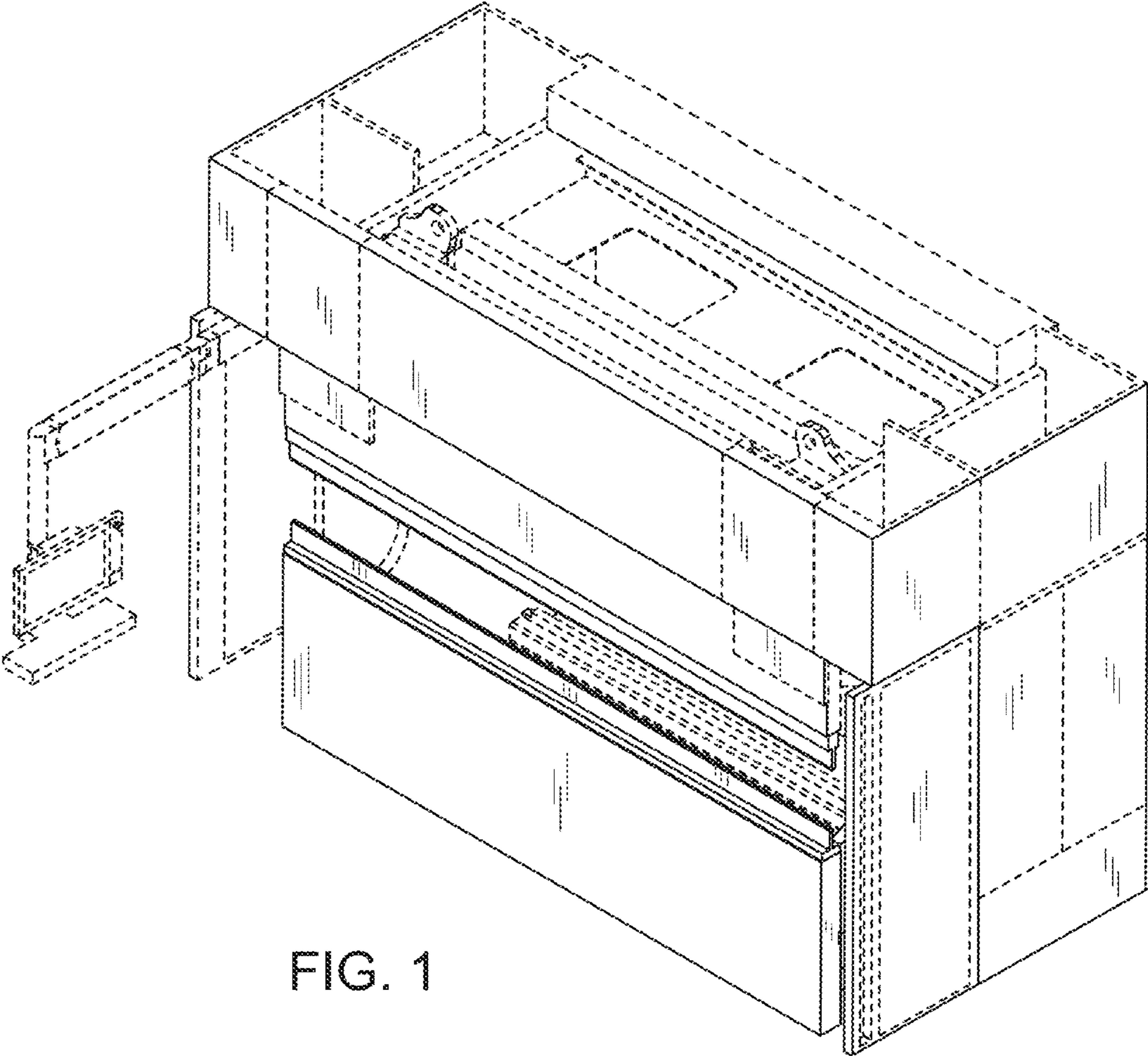


FIG. 1

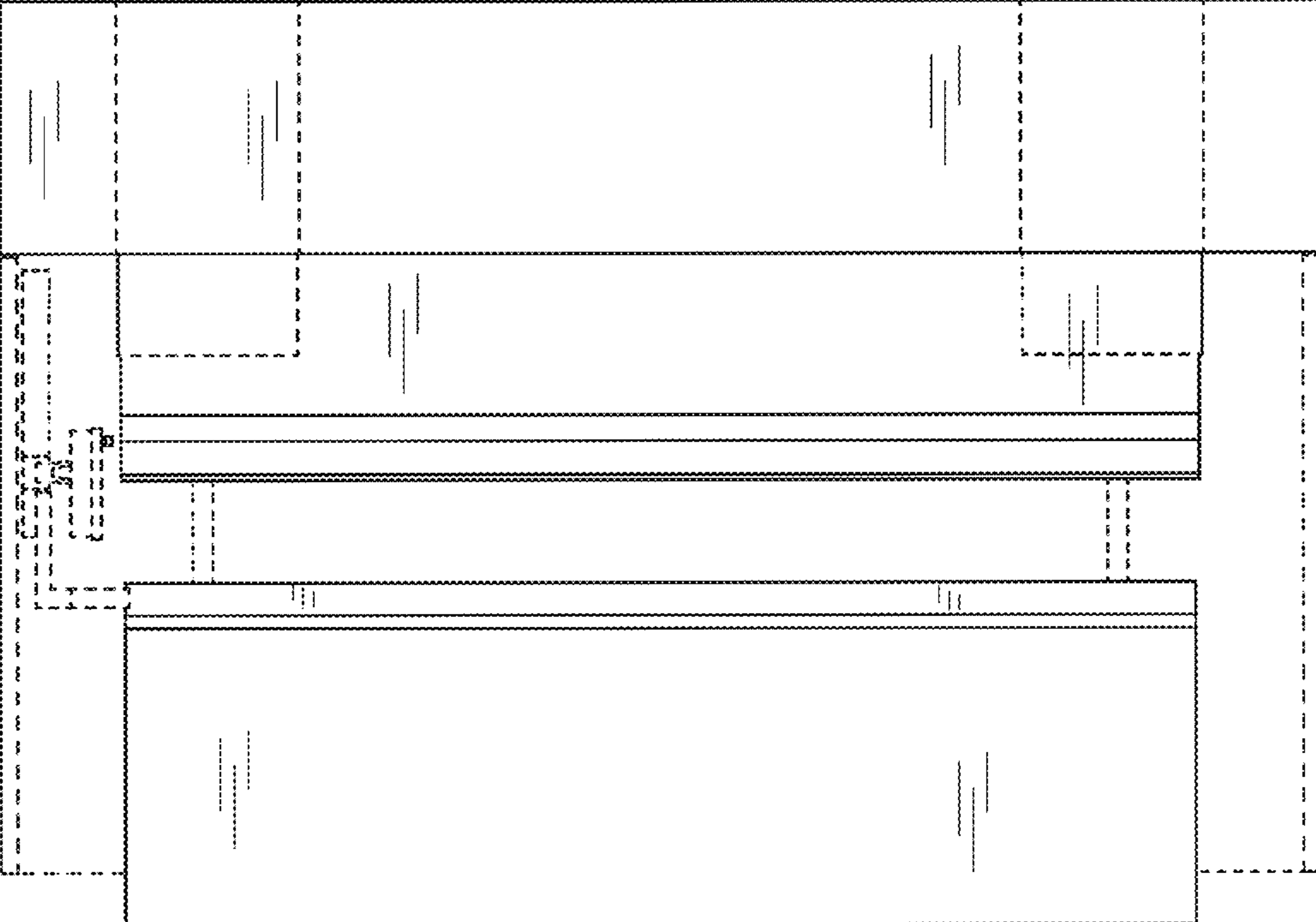


FIG. 2

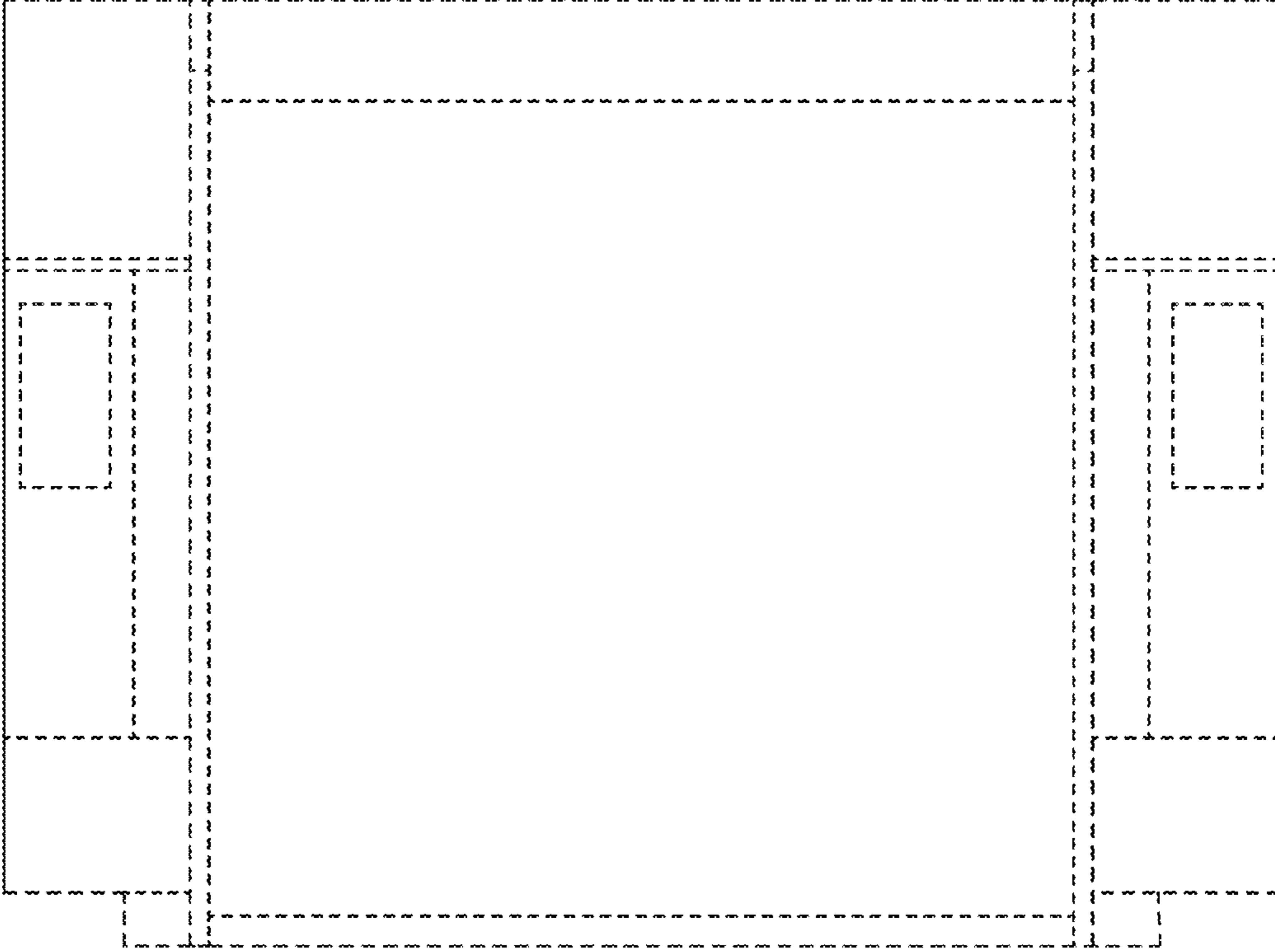
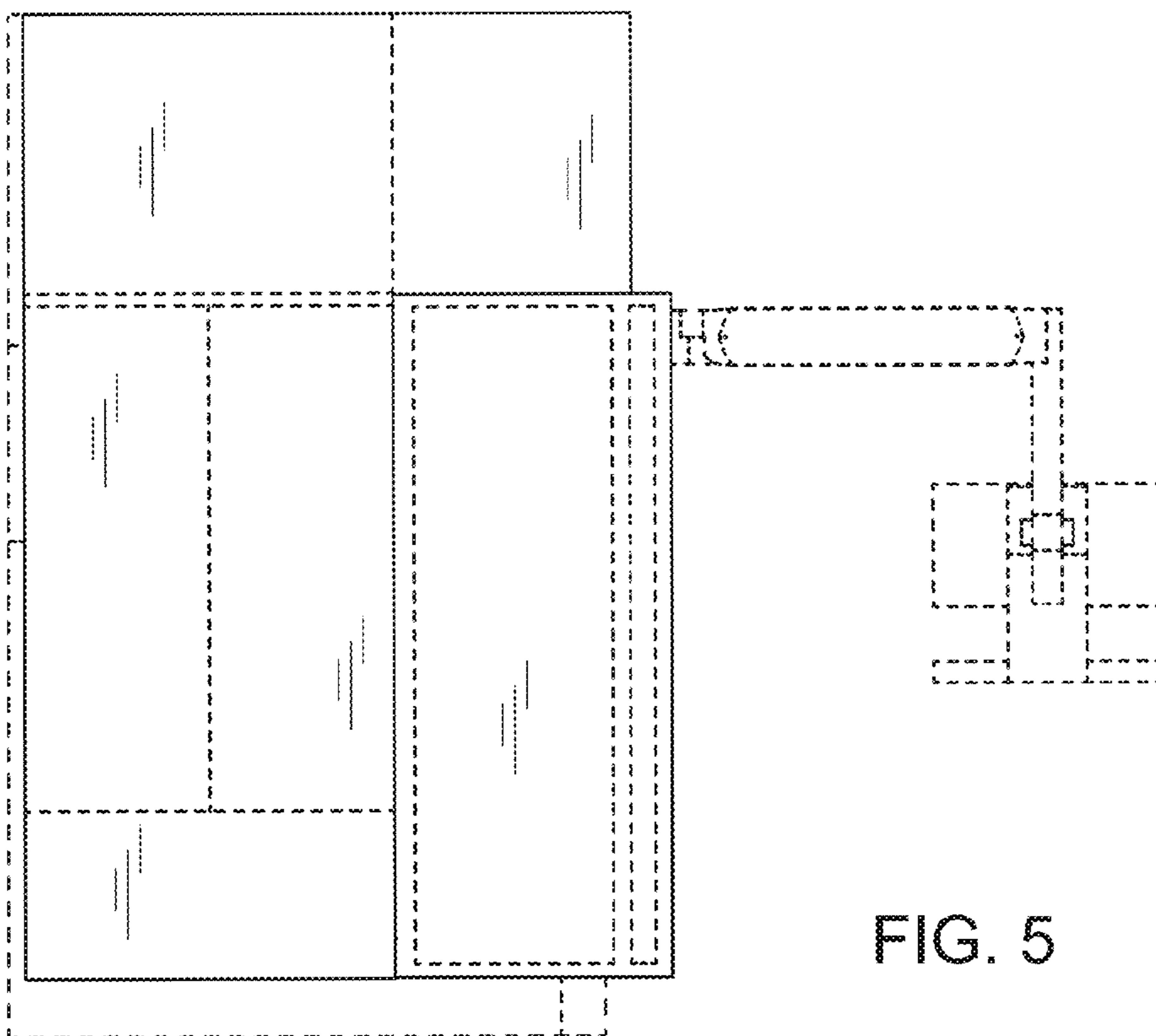
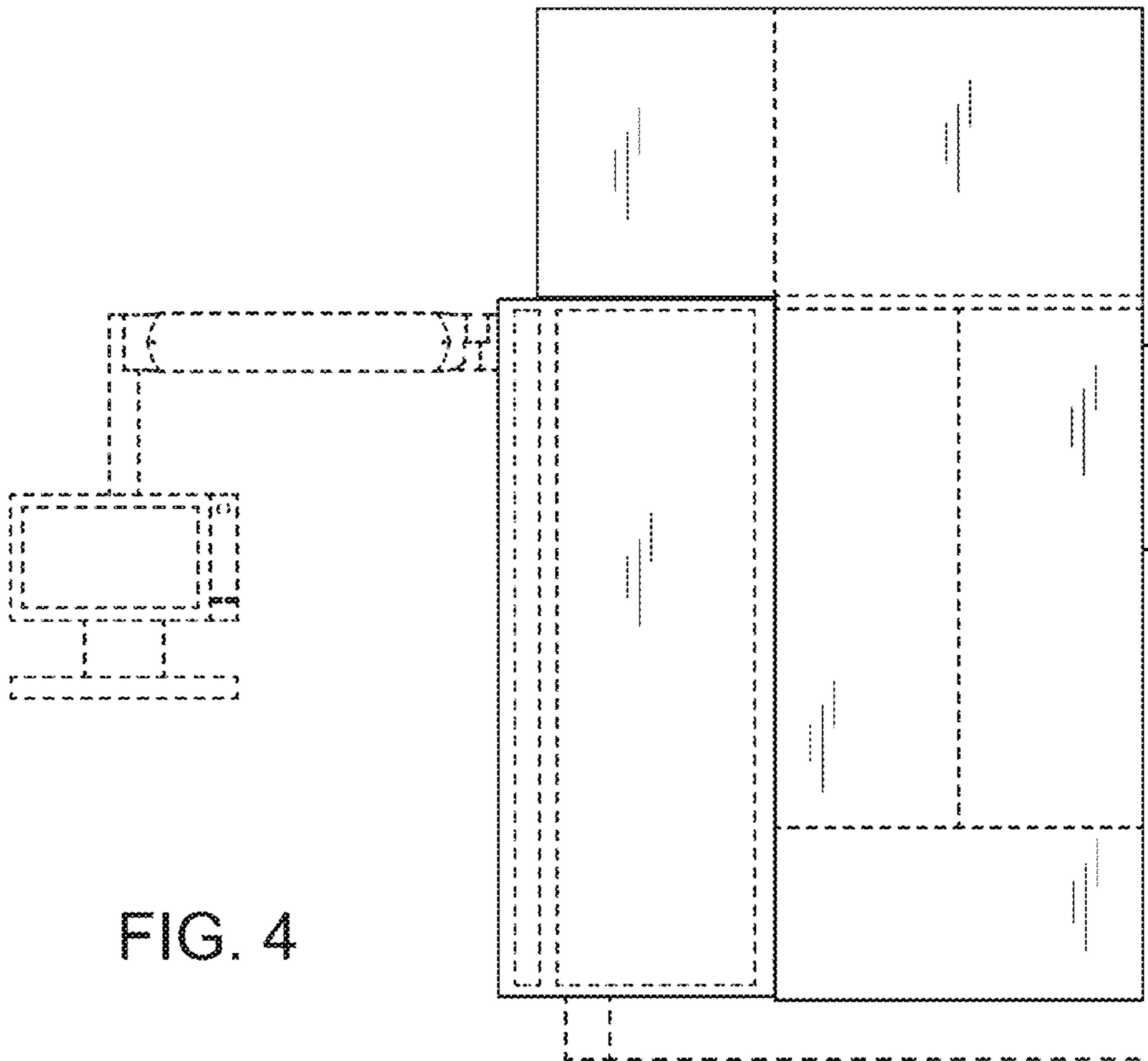


FIG. 3



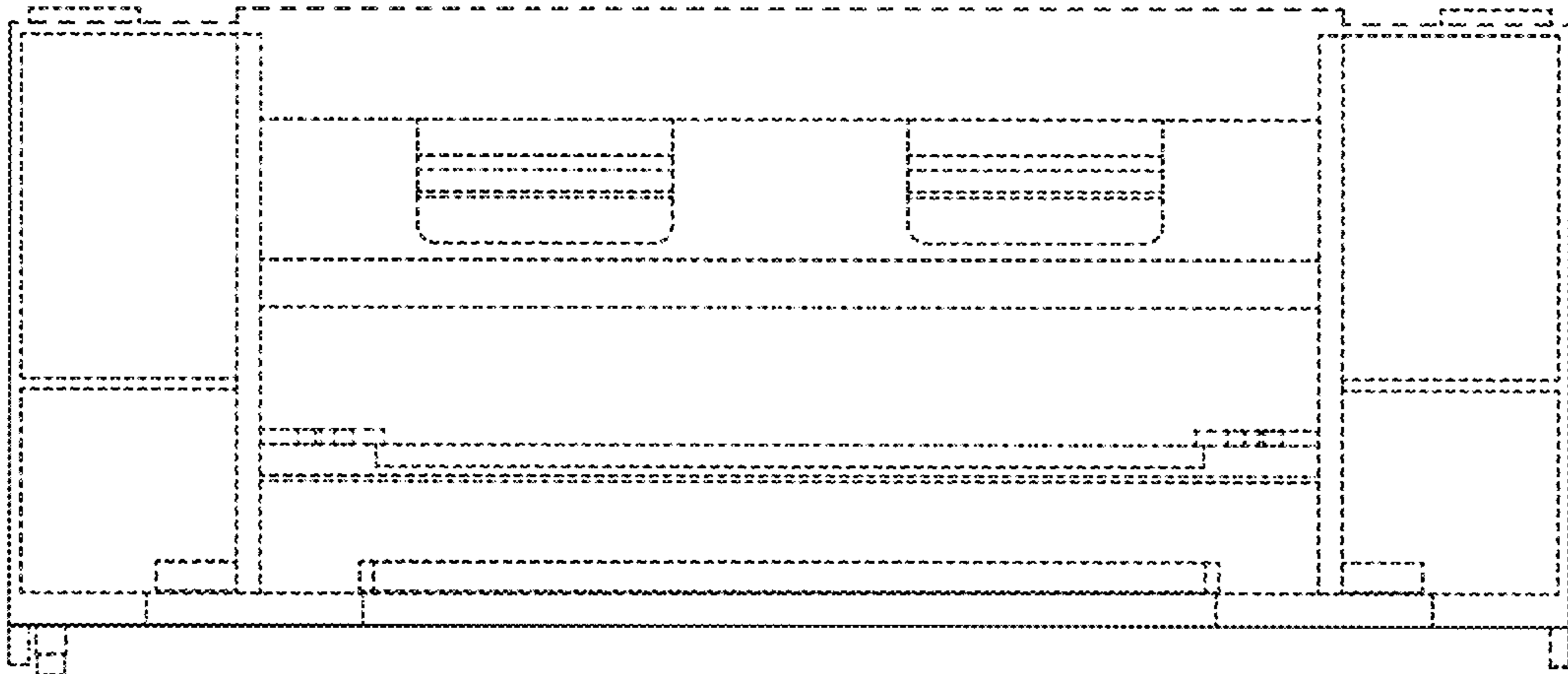


FIG. 6

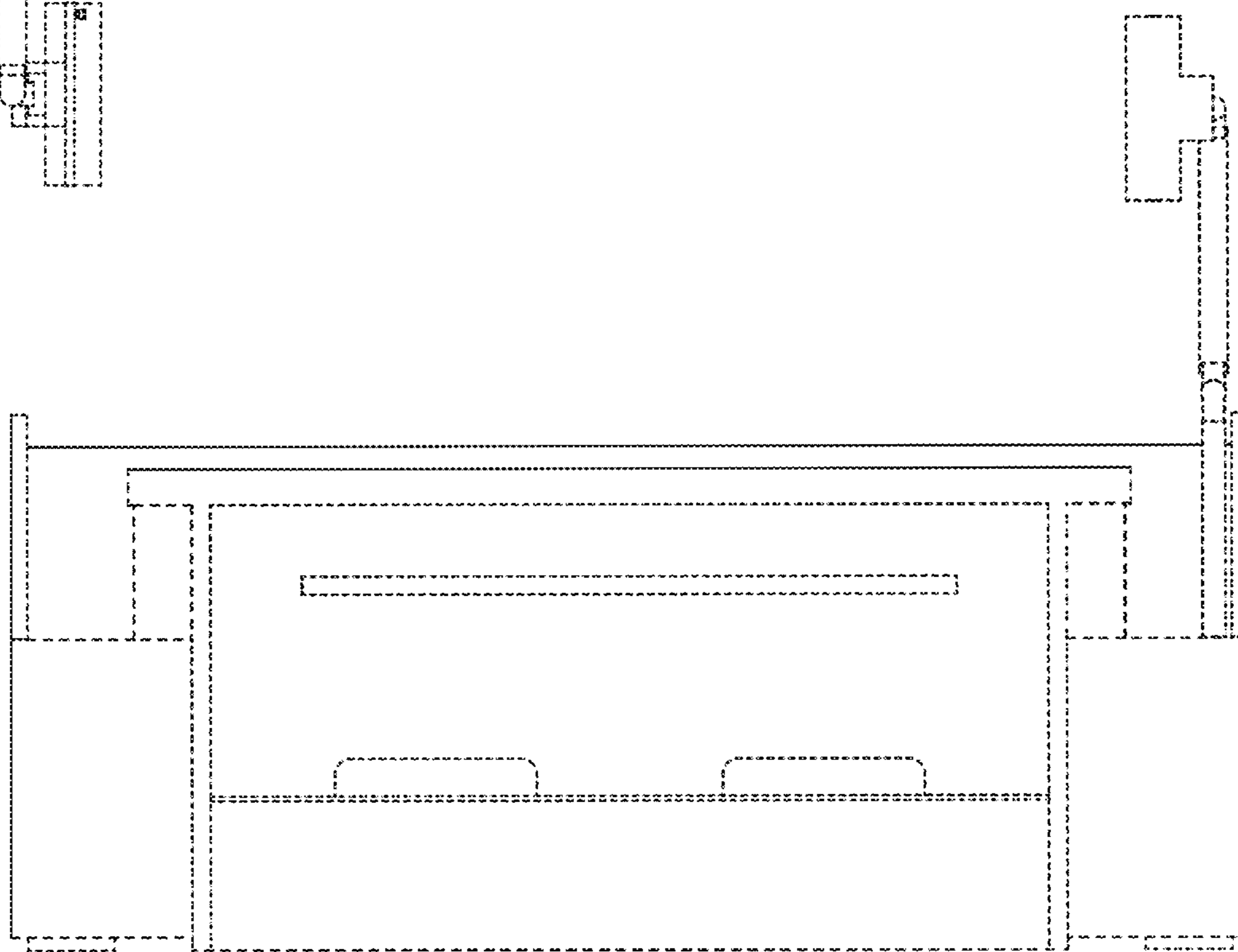


FIG. 7