



US00D767651S

(12) **United States Design Patent**
Heinzle et al.

(10) **Patent No.:** **US D767,651 S**

(45) **Date of Patent:** **** Sep. 27, 2016**

(54) **DIFFUSER FOR REFRIGERATING APPLIANCE**

(71) Applicant: **Whirlpool S.A.**, São Paulo (BR)

(72) Inventors: **Marcos Heinzle**, Joinville (BR);
Cristiano Felipe, Joinville (BR);
Jacqueline Marques da Silva,
Joinville (BR)

(73) Assignee: **WHIRLPOOL S.A.**, São Paulo (BR)

(**) Term: **14 Years**

(21) Appl. No.: **29/510,194**

(22) Filed: **Nov. 25, 2014**

(30) **Foreign Application Priority Data**

May 26, 2014 (BR) 30 2014 002407

(51) **LOC (10) Cl.** **15-07**

(52) **U.S. Cl.**
USPC **D15/89**

(58) **Field of Classification Search**
USPC D15/79-91; D23/366, 314, 358, 386,
D23/388, 499
CPC F25D 23/028; F25D 23/02; F25D 25/025;
F25D 23/00; F25D 2323/021; F25D 11/00;
F25D 2323/024; F25D 23/04; F25D 29/00;
F25D 25/02; F25D 25/024; F25D 27/005;
F25D 23/12; F25D 29/005; F25D 17/042;
F25D 2325/021

See application file for complete search history.

(56) **References Cited**

U.S. PATENT DOCUMENTS

2,109,986 A * 3/1938 Atchison F25B 39/024
62/520
2,118,206 A * 5/1938 Kritzer F28F 1/32
165/149

D253,783 S * 12/1979 Engalitcheff, Jr. D23/351
D284,888 S * 7/1986 Morgan D23/370
D511,178 S * 11/2005 Tunzi D15/89
D528,136 S * 9/2006 Brockington D15/89
D667,028 S * 9/2012 Headley, Sr. D15/82
D698,431 S * 1/2014 Garbusi D23/366
D744,012 S * 11/2015 Pfaff D15/89
D744,013 S * 11/2015 Pfaff D15/89
D750,216 S * 2/2016 Bakker, Jr. D23/388
2015/0202942 A1 * 7/2015 Contento B60H 1/00207
165/59

* cited by examiner

Primary Examiner — Daniel Bui

Assistant Examiner — Khawaja Anwar

(74) *Attorney, Agent, or Firm* — Kenyon & Kenyon LLP

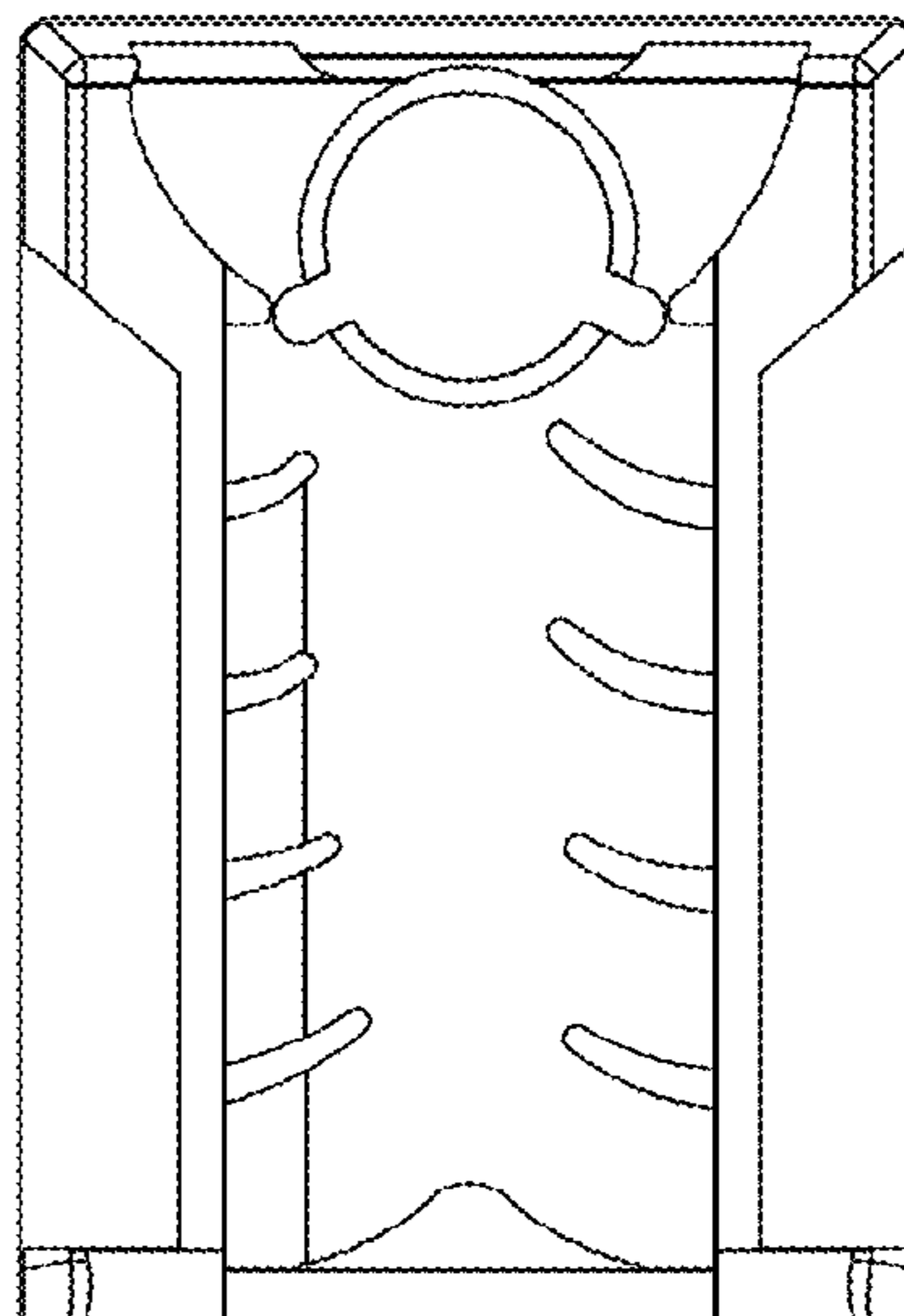
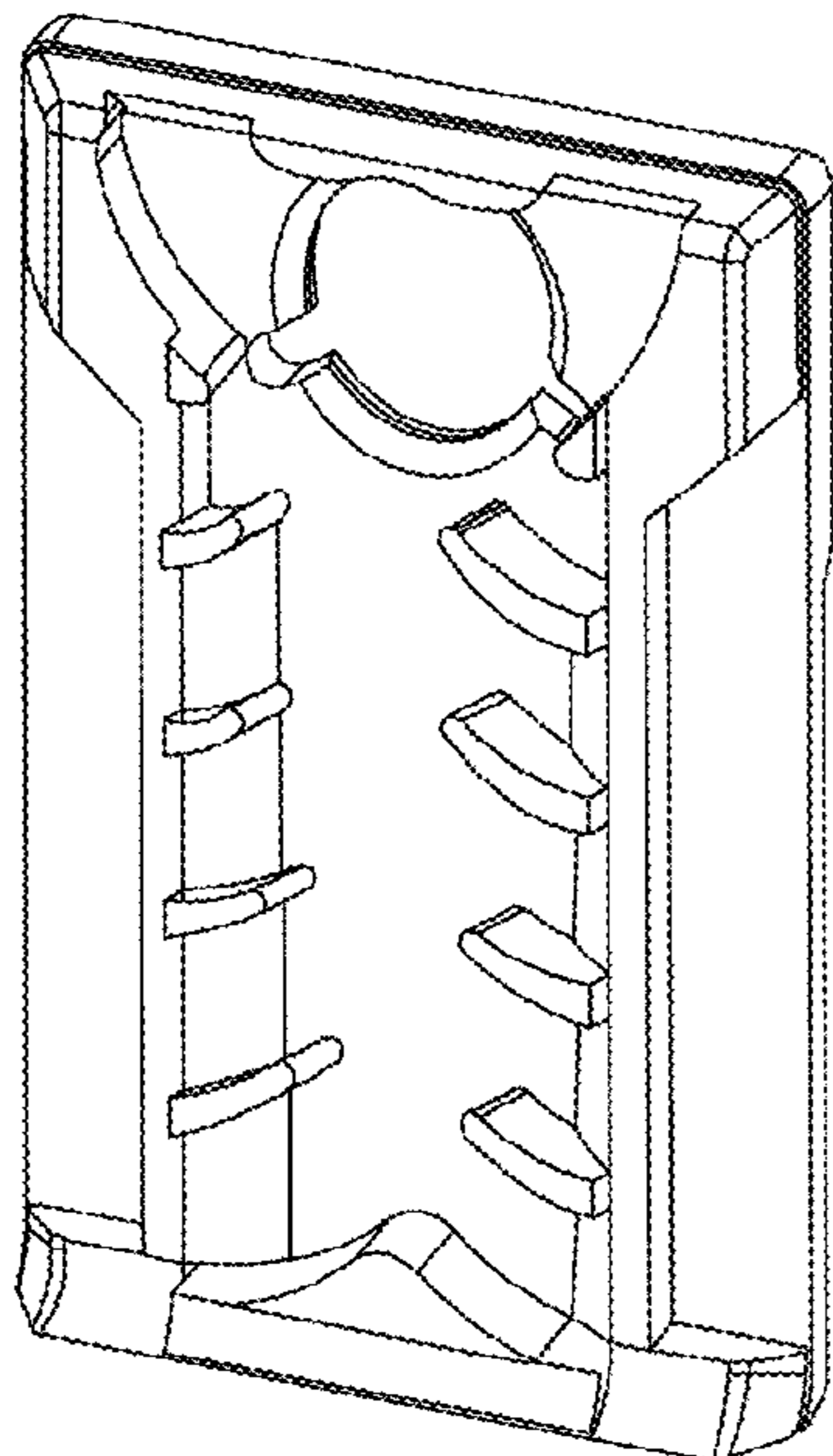
(57) **CLAIM**

The ornamental design for a diffuser for refrigerating appliance, as shown and described.

DESCRIPTION

FIG. 1 is a perspective view of a diffuser for a refrigerating appliance, showing our new design;
FIG. 2 is a front elevation view thereof;
FIG. 3 is a back elevation view thereof;
FIG. 4 is a right side elevation view thereof;
FIG. 5 is a left side elevation view thereof;
FIG. 6 is a top plan view thereof; and,
FIG. 7 is a bottom plan view thereof.

1 Claim, 3 Drawing Sheets



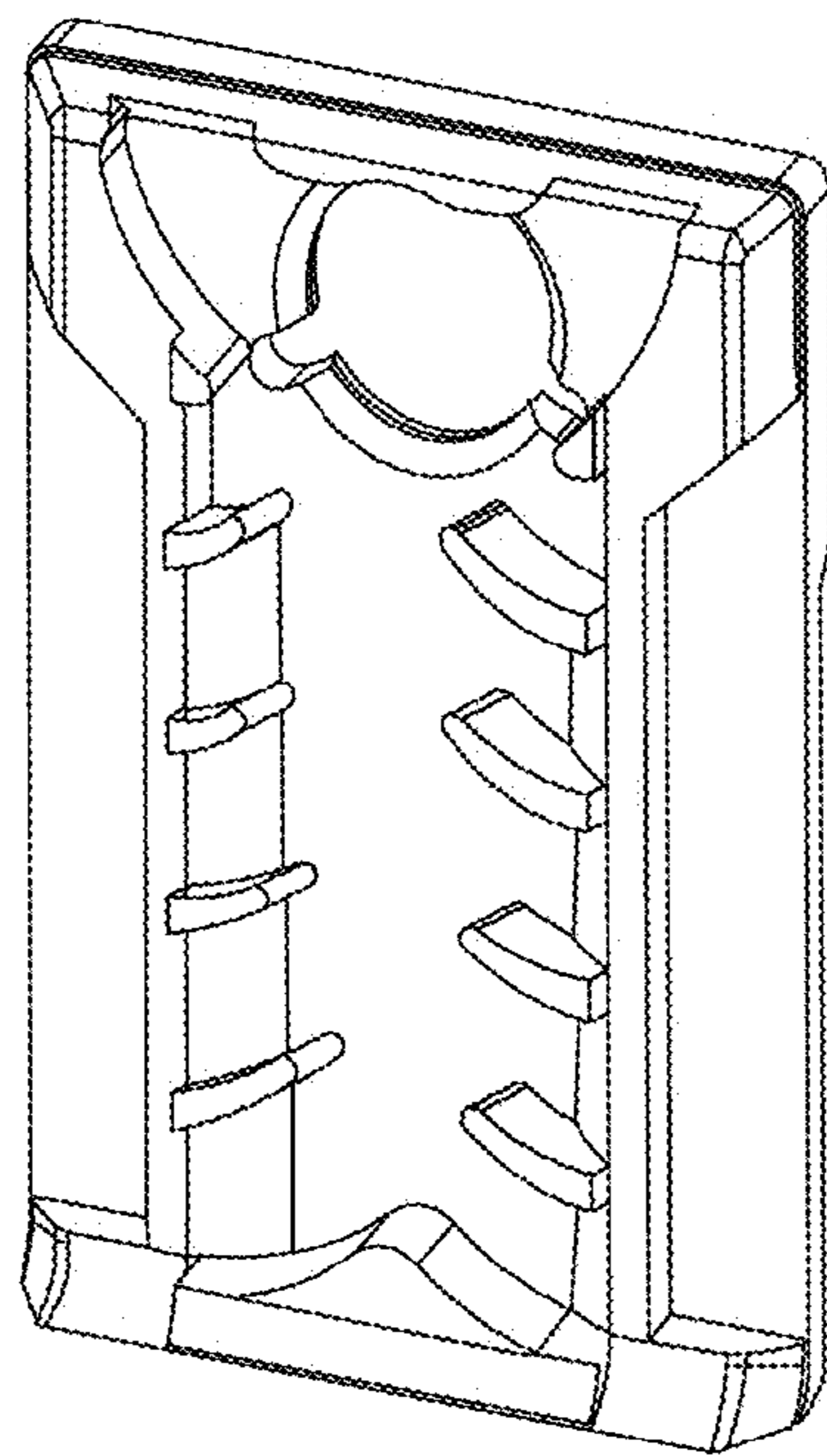


FIG. 1

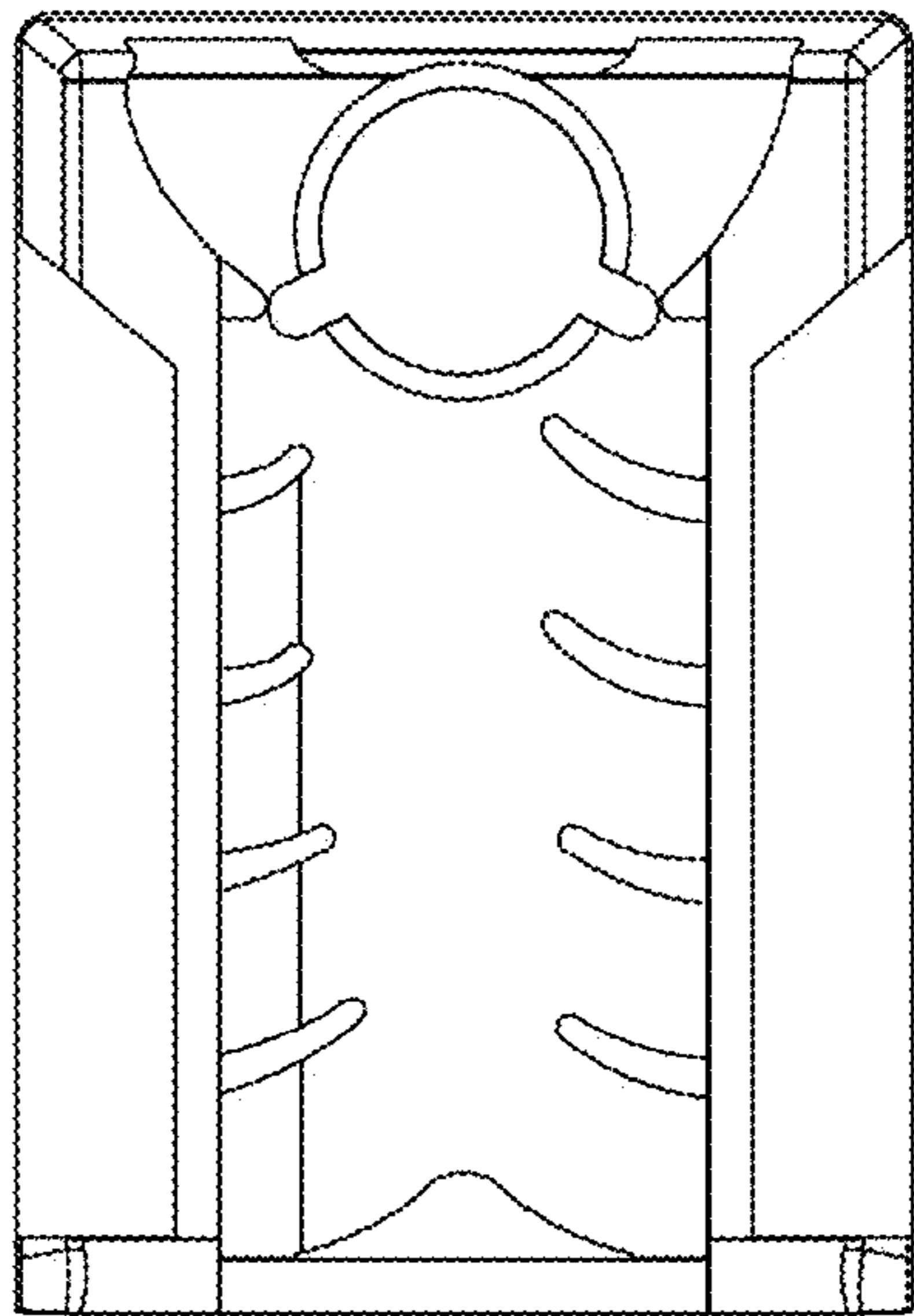


FIG. 2

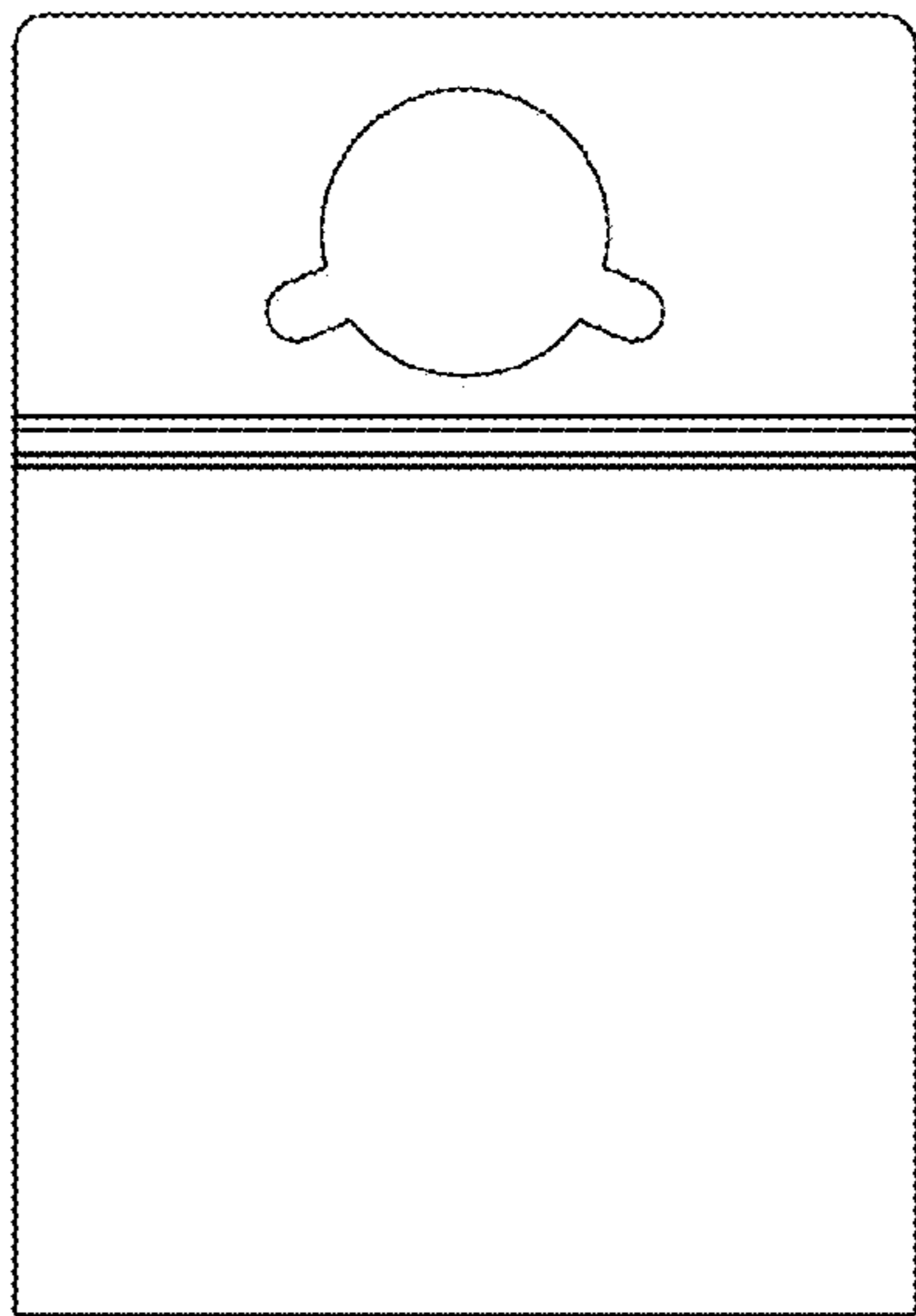


FIG. 3

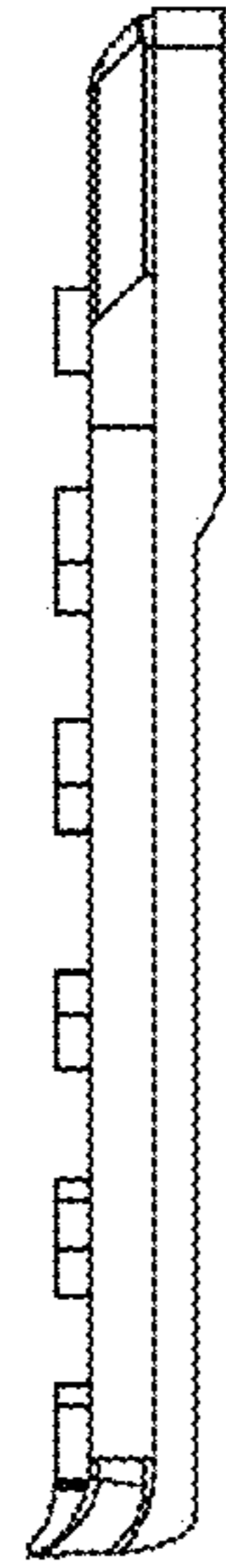


FIG. 4

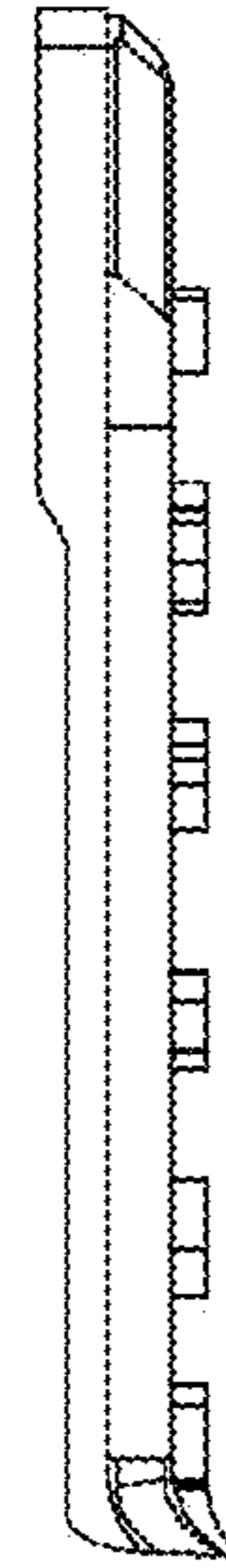


FIG. 5



FIG. 6



FIG. 7