



US00D767649S

(12) **United States Design Patent** (10) **Patent No.:** **US D767,649 S**
Lee et al. (45) **Date of Patent:** **** Sep. 27, 2016**

(54) **REFRIGERATOR**

(71) Applicant: **LG ELECTRONICS INC.**, Seoul (KR)

(72) Inventors: **Jiyeon Lee**, Seoul (KR); **Jungyeon Hwang**, Seoul (KR); **Jaehoem Im**, Seoul (KR); **Jaewon Jeong**, Seoul (KR)

(73) Assignee: **LG ELECTRONICS INC.**, Seoul (KR)

(**) Term: **15 Years**

(21) Appl. No.: **29/531,324**

(22) Filed: **Jun. 25, 2015**

(30) **Foreign Application Priority Data**

Jan. 16, 2015 (KR) 30-2015-0002358

(51) **LOC (10) Cl.** **15-07**

(52) **U.S. Cl.**
USPC **D15/86**

(58) **Field of Classification Search**
USPC D15/79-91
CPC F25D 23/028; F25D 23/02; F25D 25/025;
F25D 23/00; F25D 2323/021; F25D 11/00;
F25D 2323/024; F25D 23/04; F25D 29/00;
F25D 25/02; F25D 25/024; F25D 27/005;
F25D 23/12; F25D 29/005; F25D 17/042;
F25D 2325/021; F25D 2323/02
See application file for complete search history.

(56) **References Cited**

U.S. PATENT DOCUMENTS

D607,019 S * 12/2009 Becke D15/87
D719,193 S * 12/2014 Park D15/79
D722,089 S * 2/2015 Qiang D15/86
D735,779 S * 8/2015 Hwang D15/81
D747,367 S * 1/2016 Stolarz D15/81

* cited by examiner

Primary Examiner — Daniel Bui

Assistant Examiner — Khawaja Anwar

(74) *Attorney, Agent, or Firm* — Ked & Associates, LLP

(57) **CLAIM**

We claim the ornamental design for a refrigerator, as shown and described.

DESCRIPTION

FIG. 1 is a perspective view of a refrigerator, without internal environment, showing my new design;
FIG. 2 is a front elevation view thereof;
FIG. 3 is a rear elevation view thereof;
FIG. 4 is a left-side elevation view thereof;
FIG. 5 is a right-side elevation view thereof;
FIG. 6 is a top plan view thereof;
FIG. 7 is a bottom plan view thereof;
FIG. 8 is a another perspective view thereof, shown with internal environment;
FIG. 9 is a perspective view thereof, shown in an open configuration;
FIG. 10 is a front elevation view thereof;
FIG. 11 is a right side elevation view thereof;
FIG. 12 is a top plan view thereof;
FIG. 13 is a perspective view thereof, shown in condition of use;
FIG. 14 is another perspective view thereof, showing in another condition of use;
FIG. 15 is a front elevation view thereof;
FIG. 16 is a right side elevation view thereof;
FIG. 17 is a top plan view thereof; and,
FIG. 18 is another perspective view thereof, shown in another condition of use.
The broken lines in the drawing figures are included for the purpose of illustrating environment and form no part of the claimed design.

1 Claim, 15 Drawing Sheets

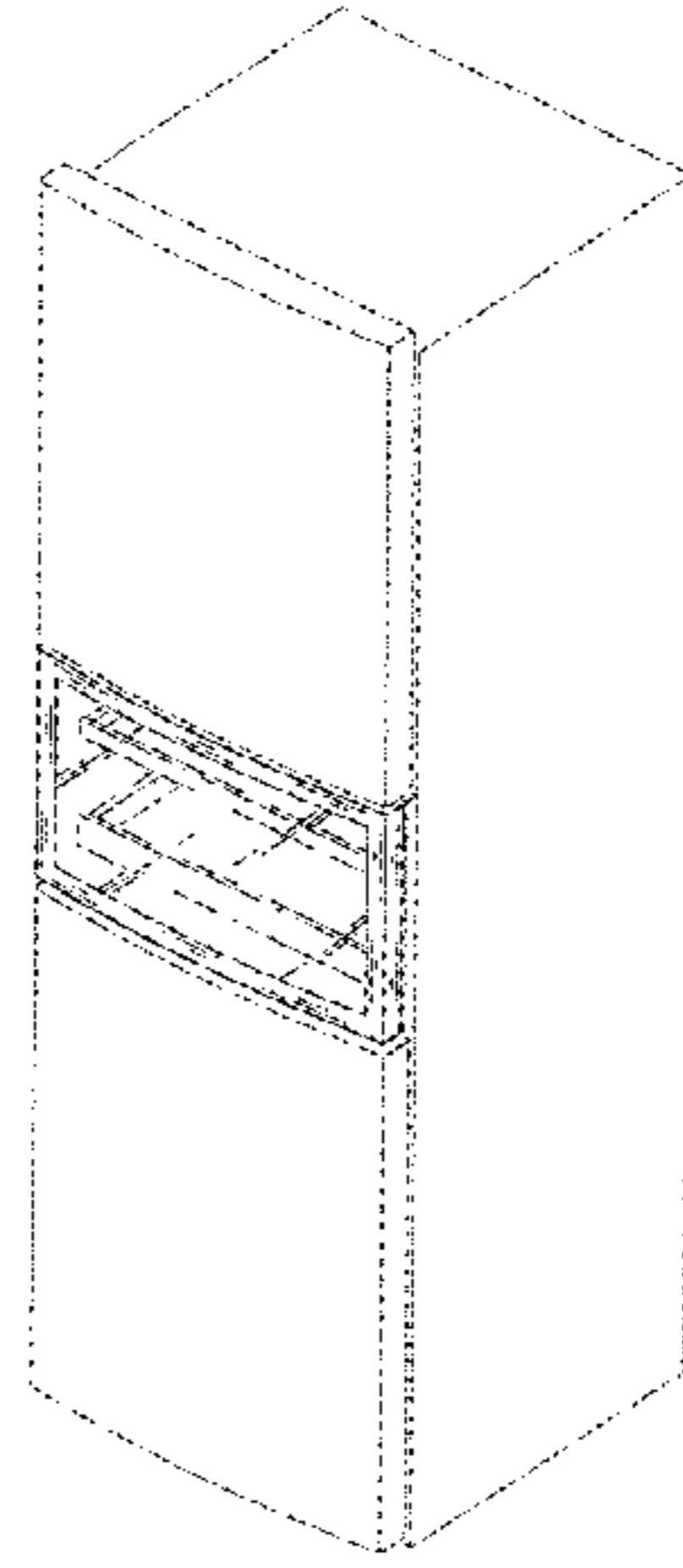
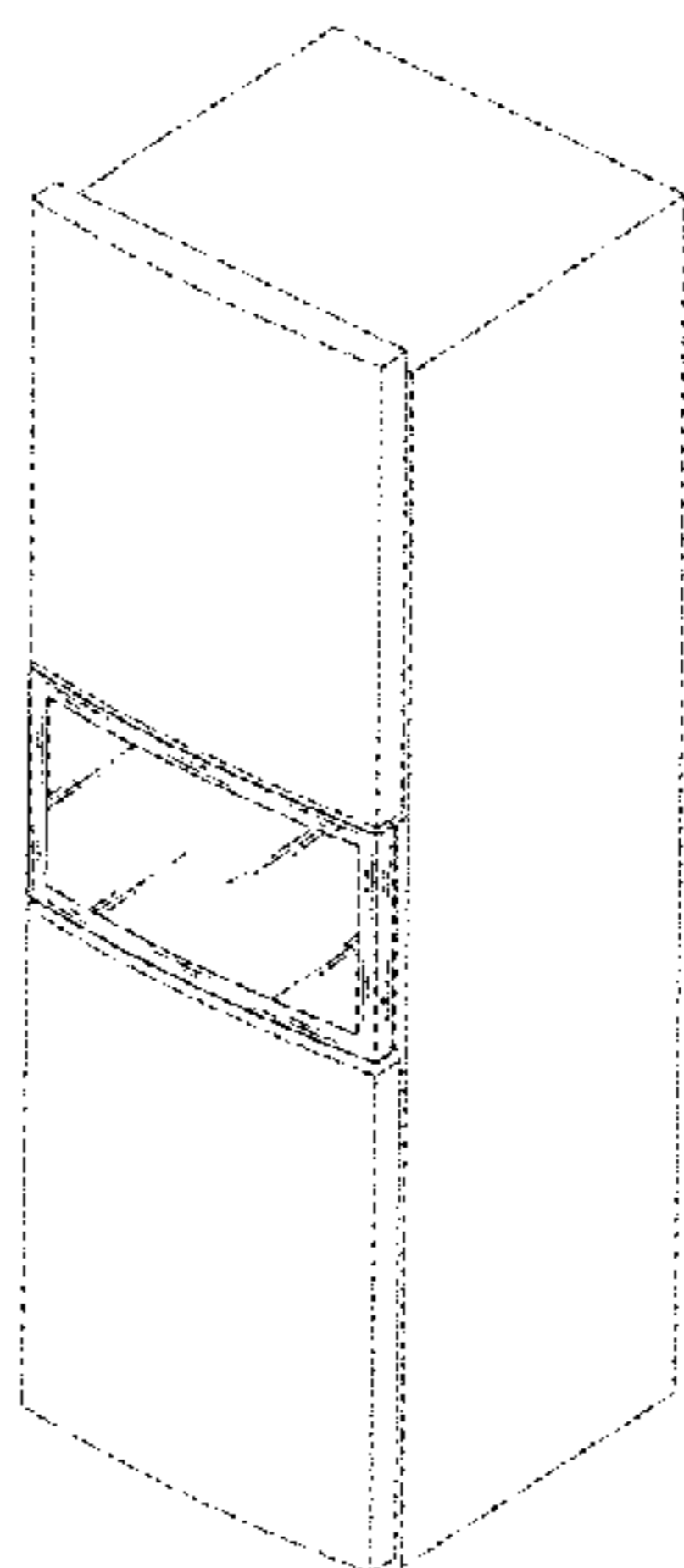


FIG. 1

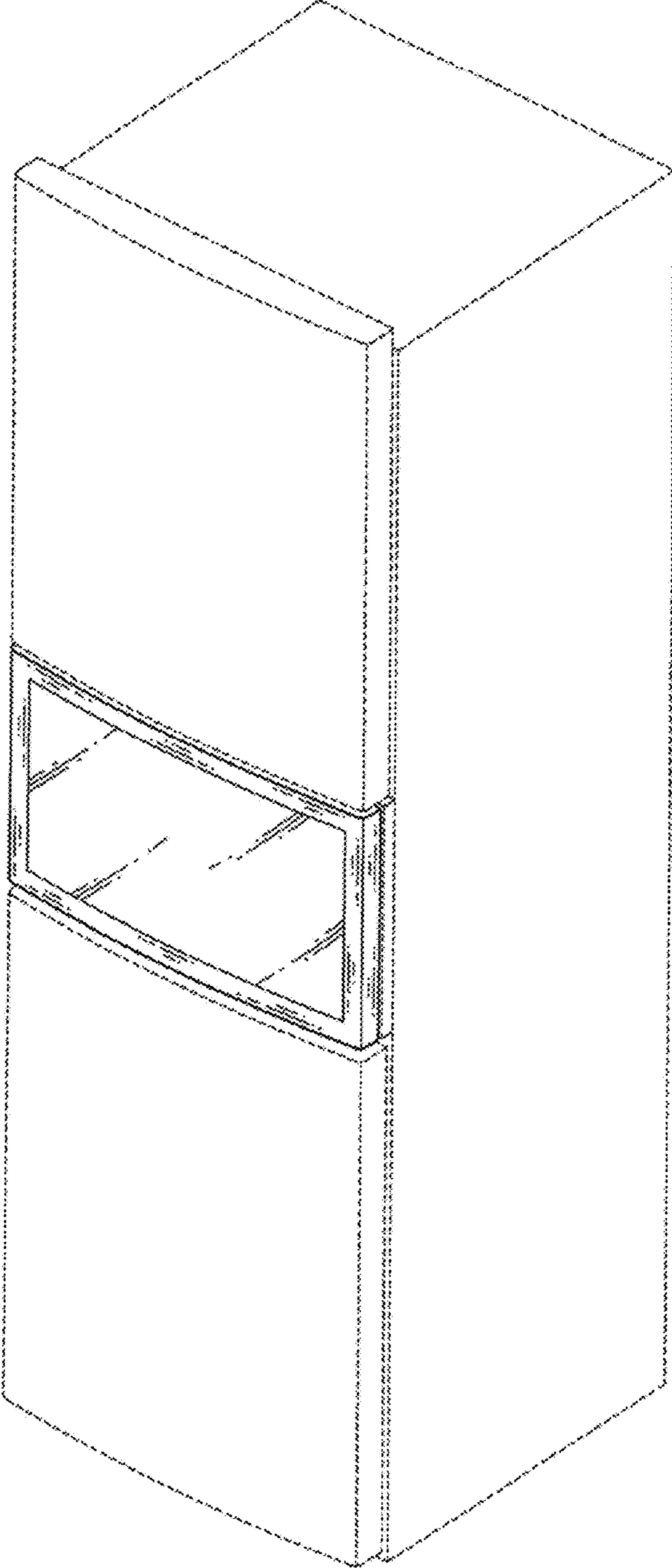


FIG.2

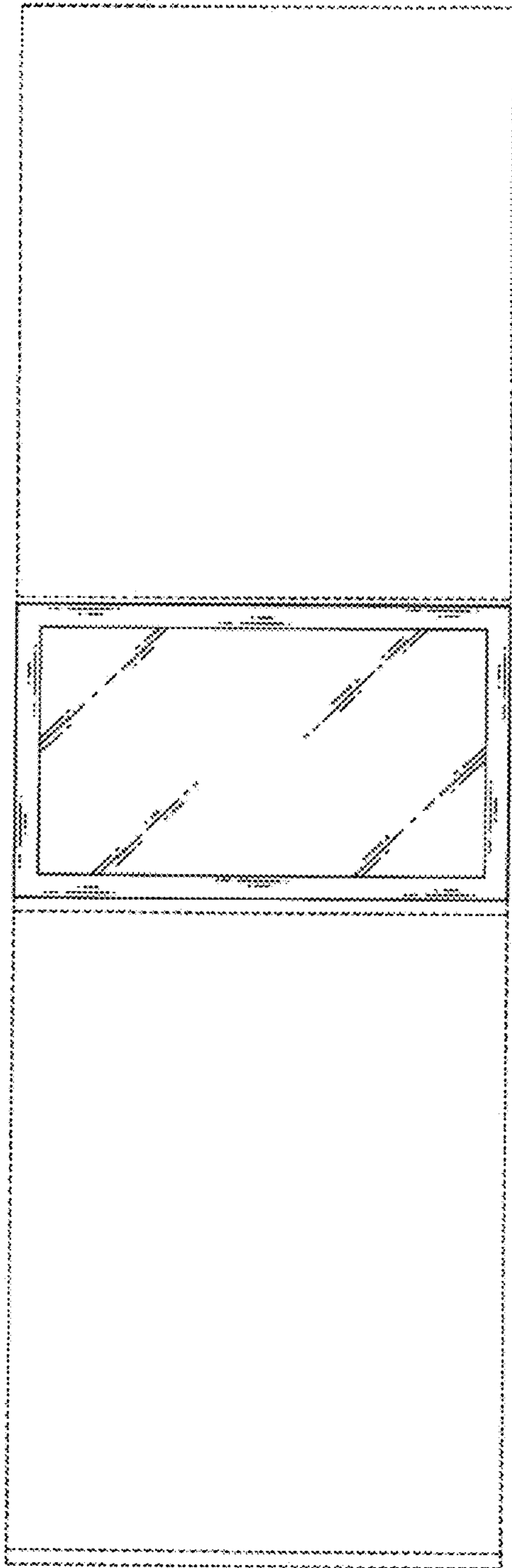


FIG.3

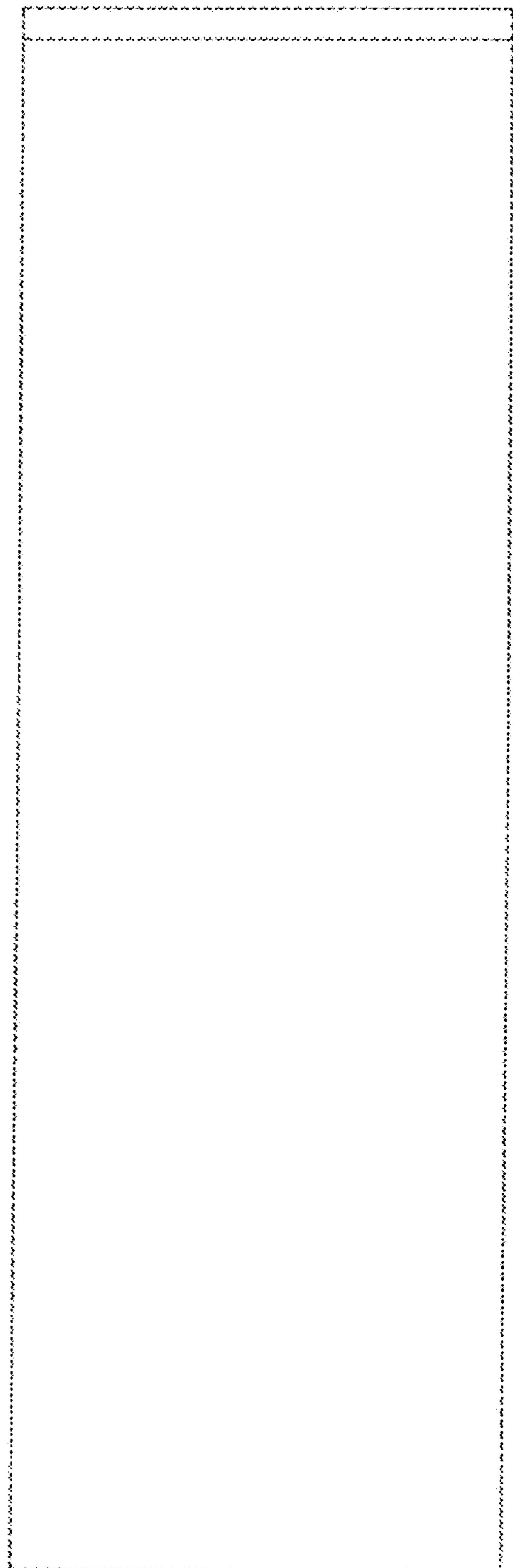


FIG. 4

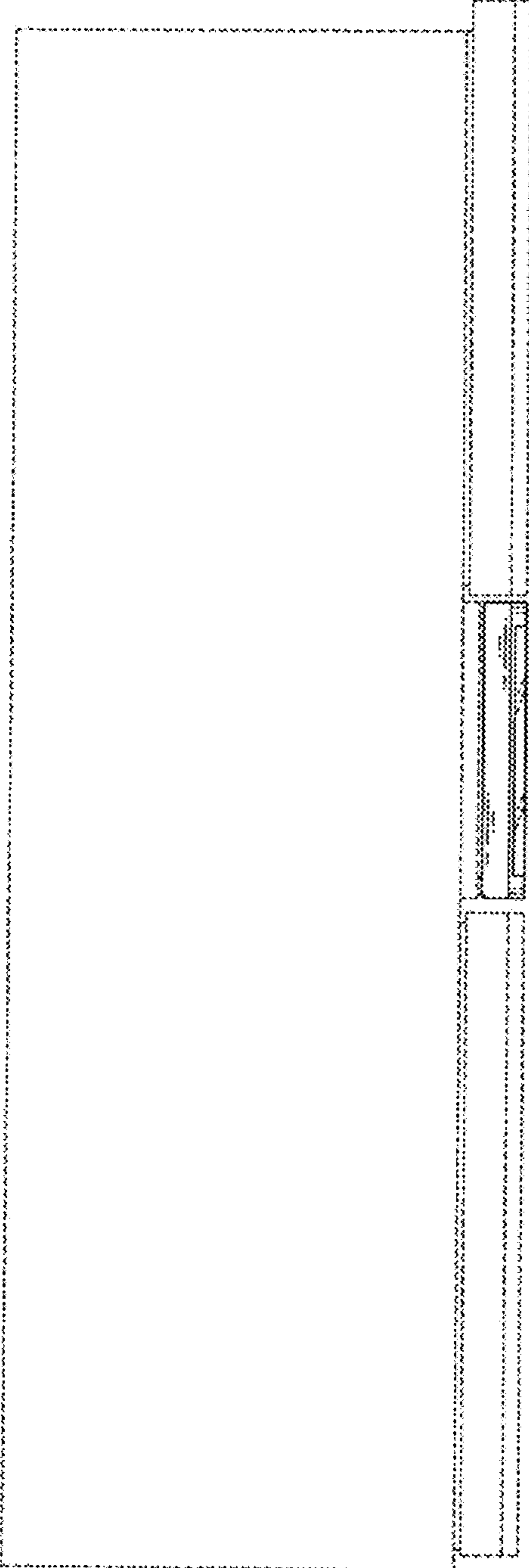


FIG. 5

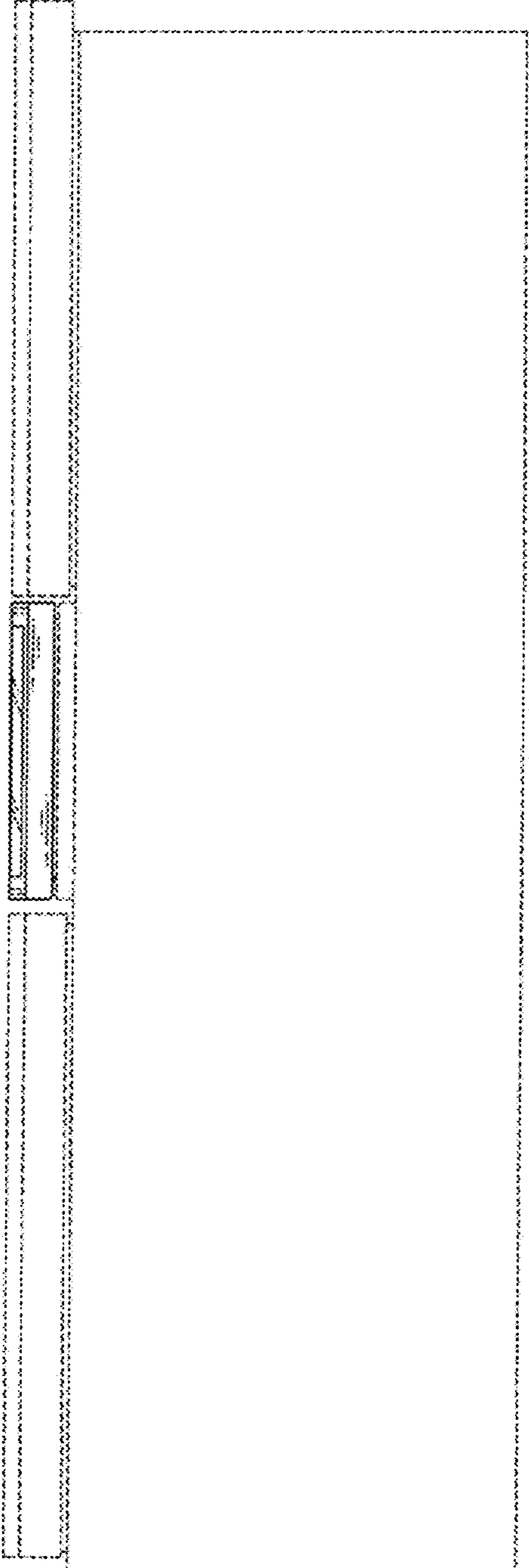


FIG. 6

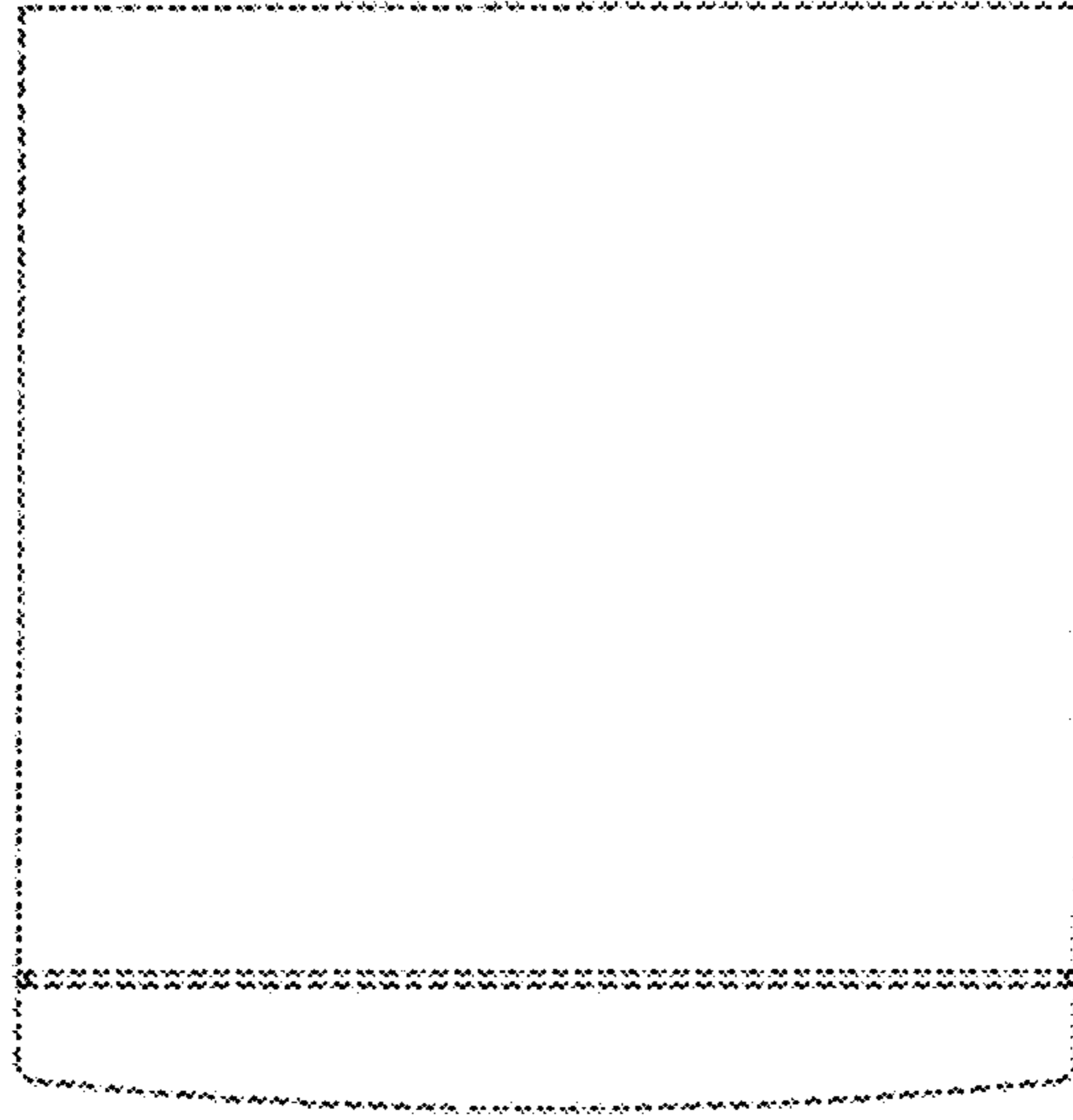


FIG. 7

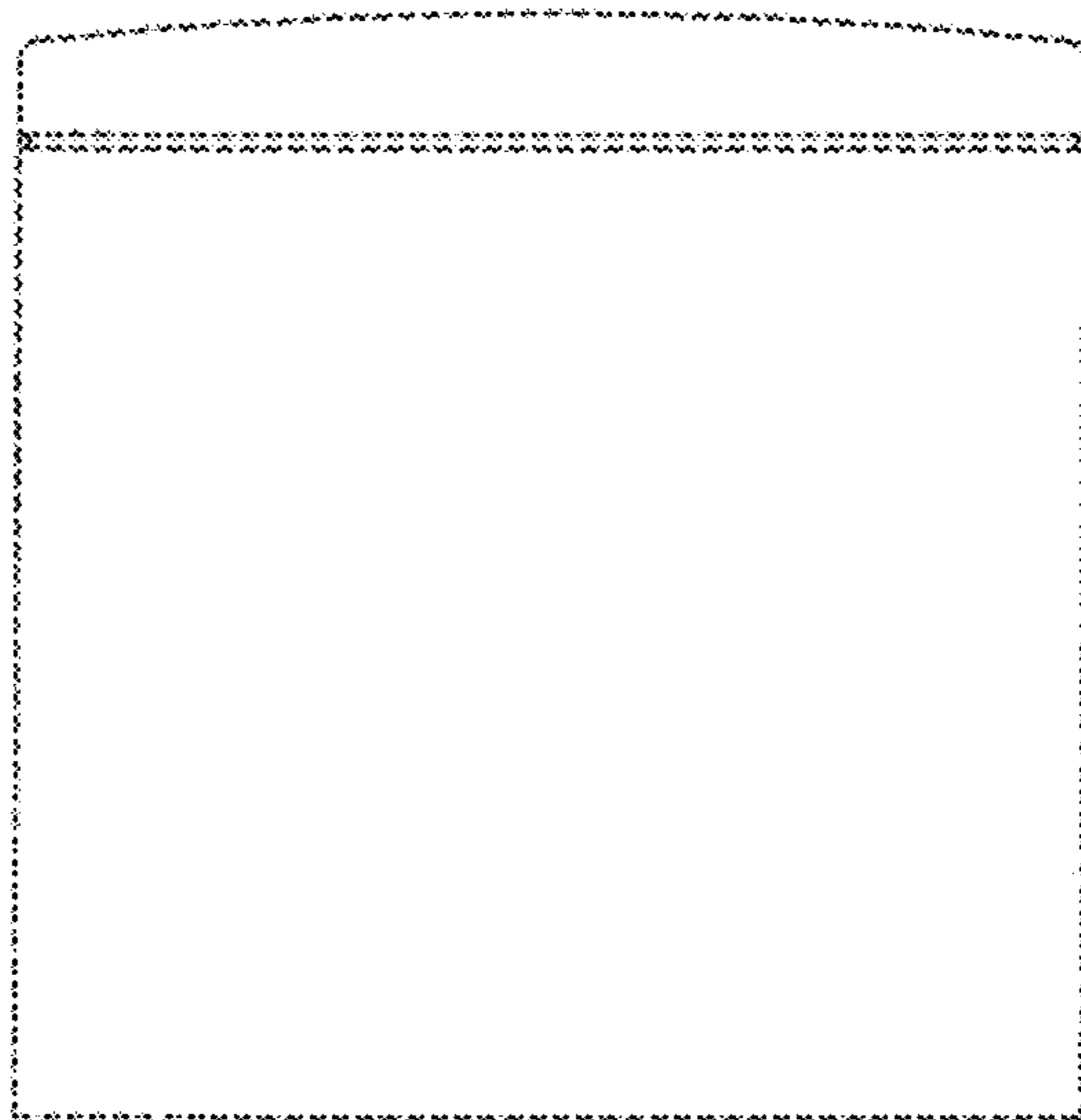


FIG. 8

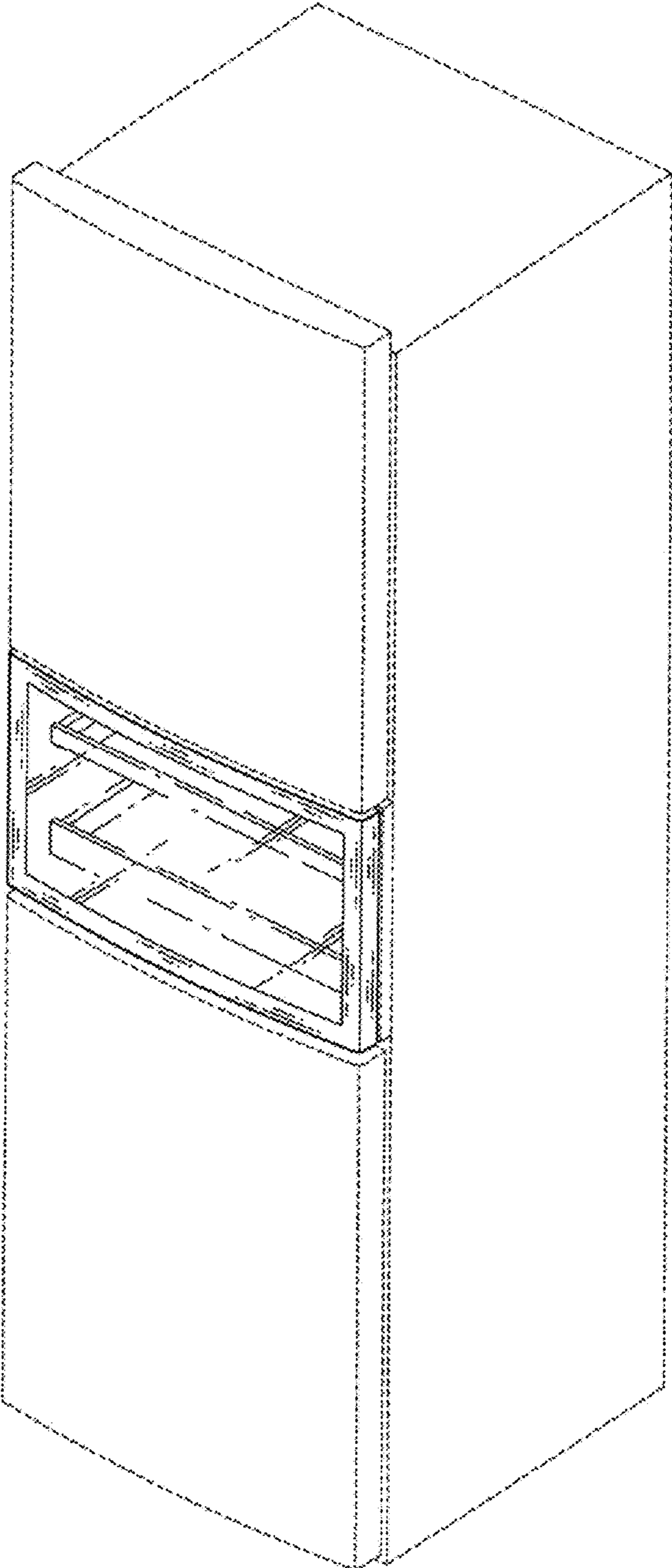


FIG. 9

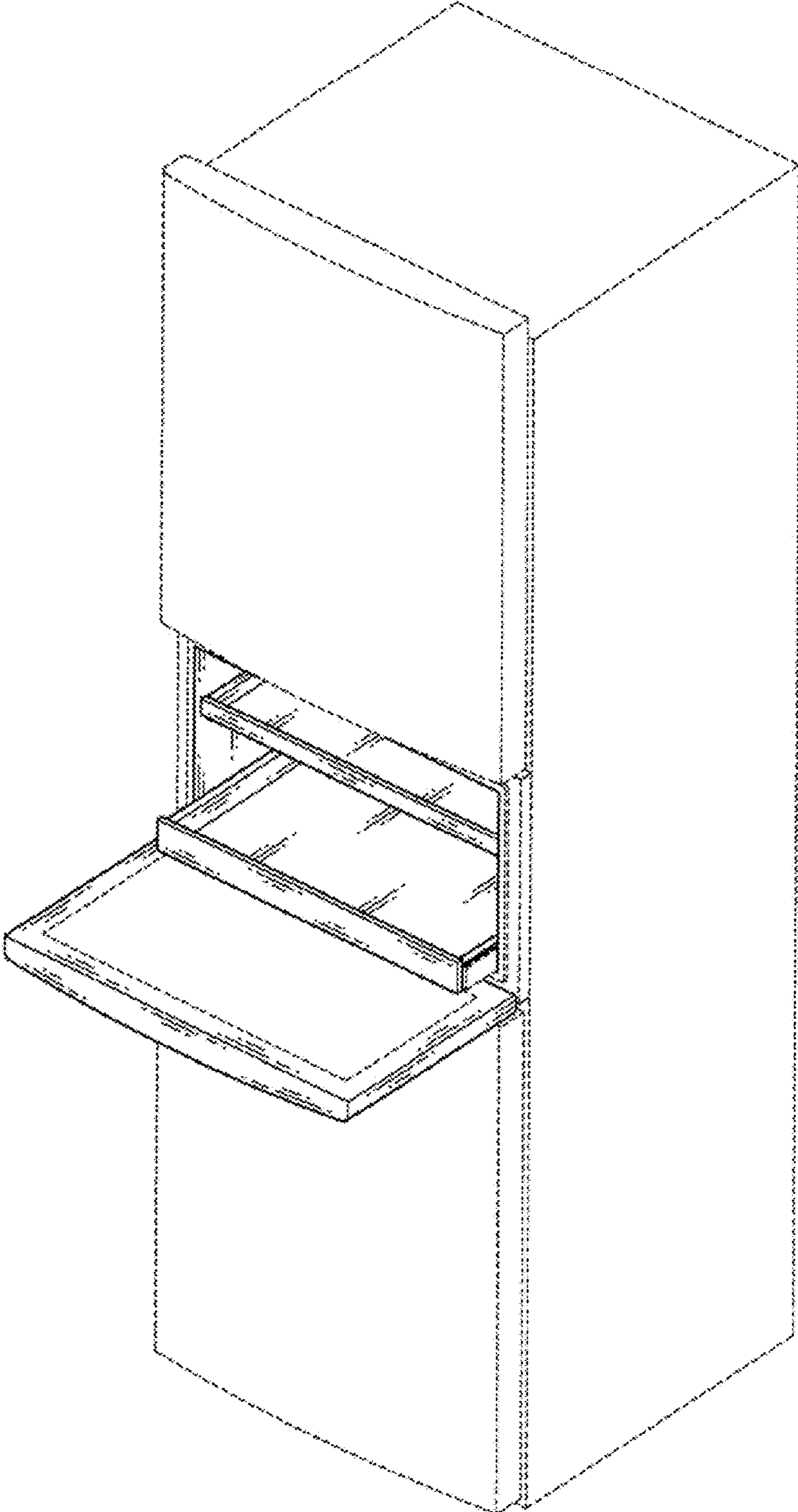


FIG. 10

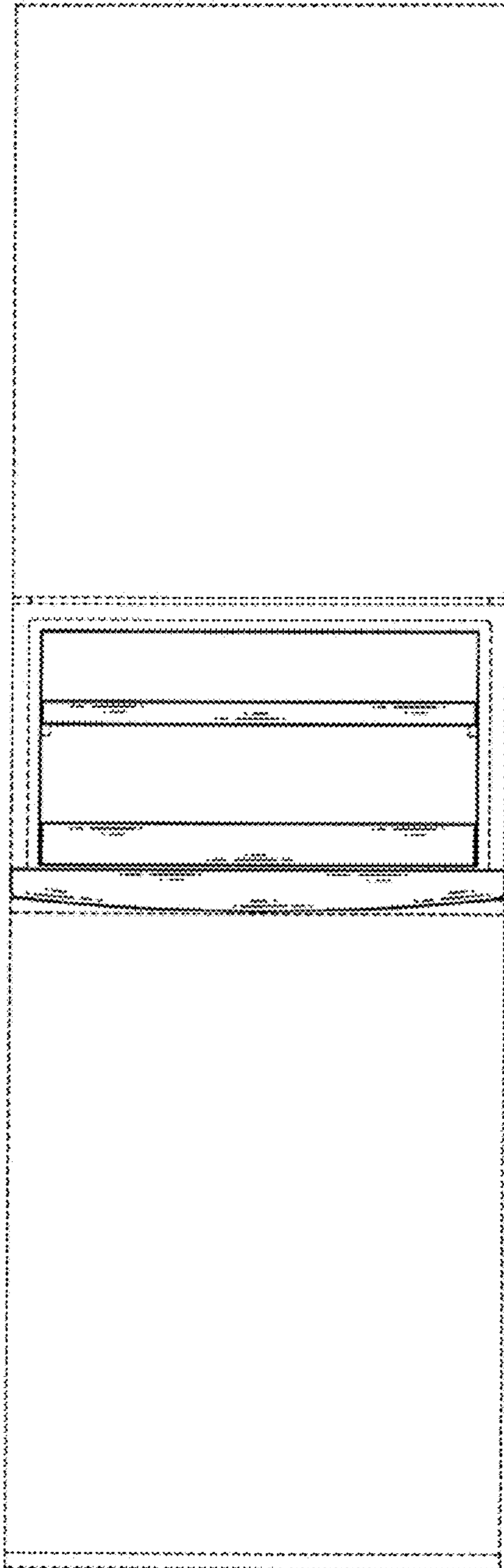


FIG. 11

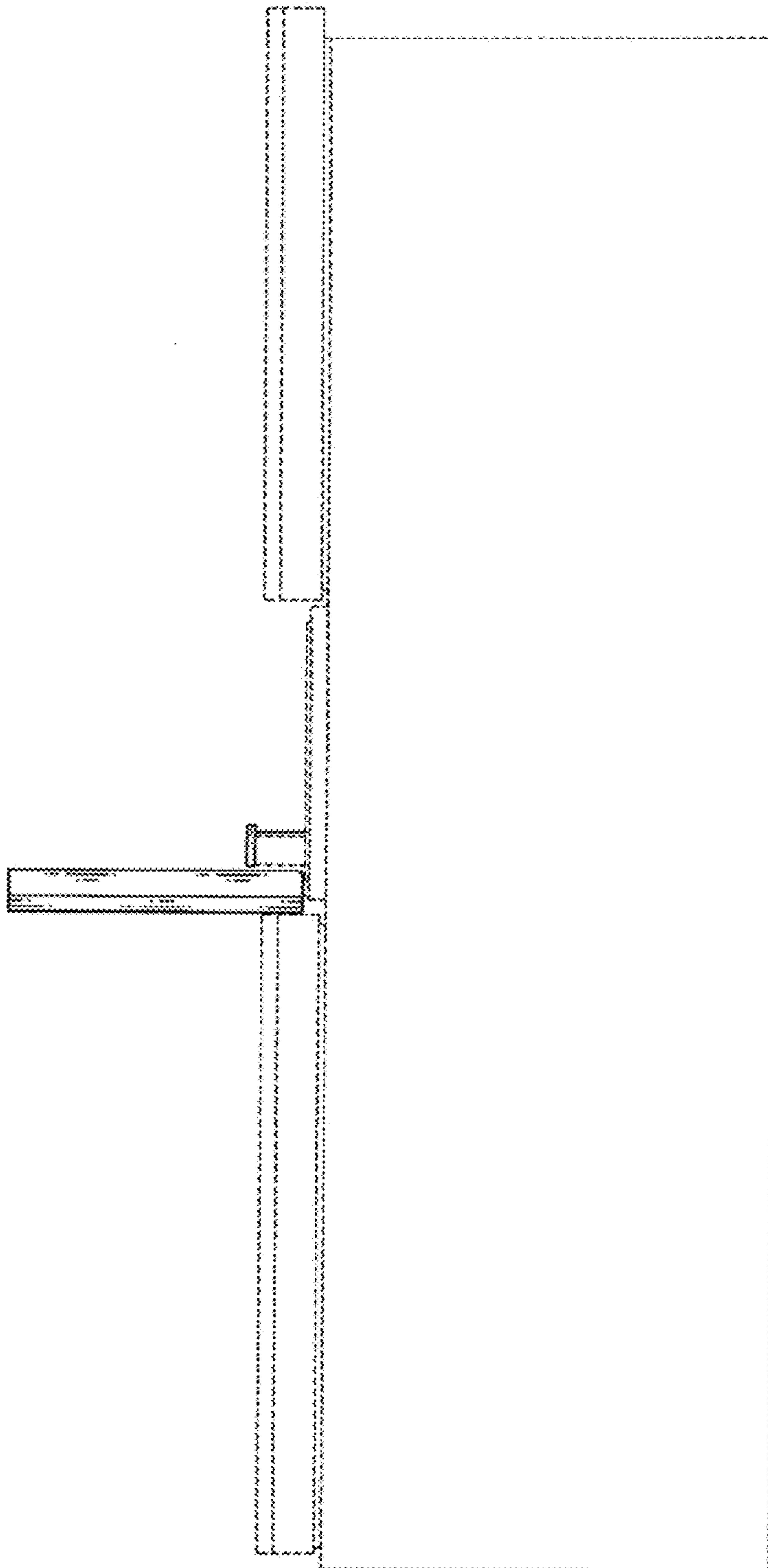


FIG. 12

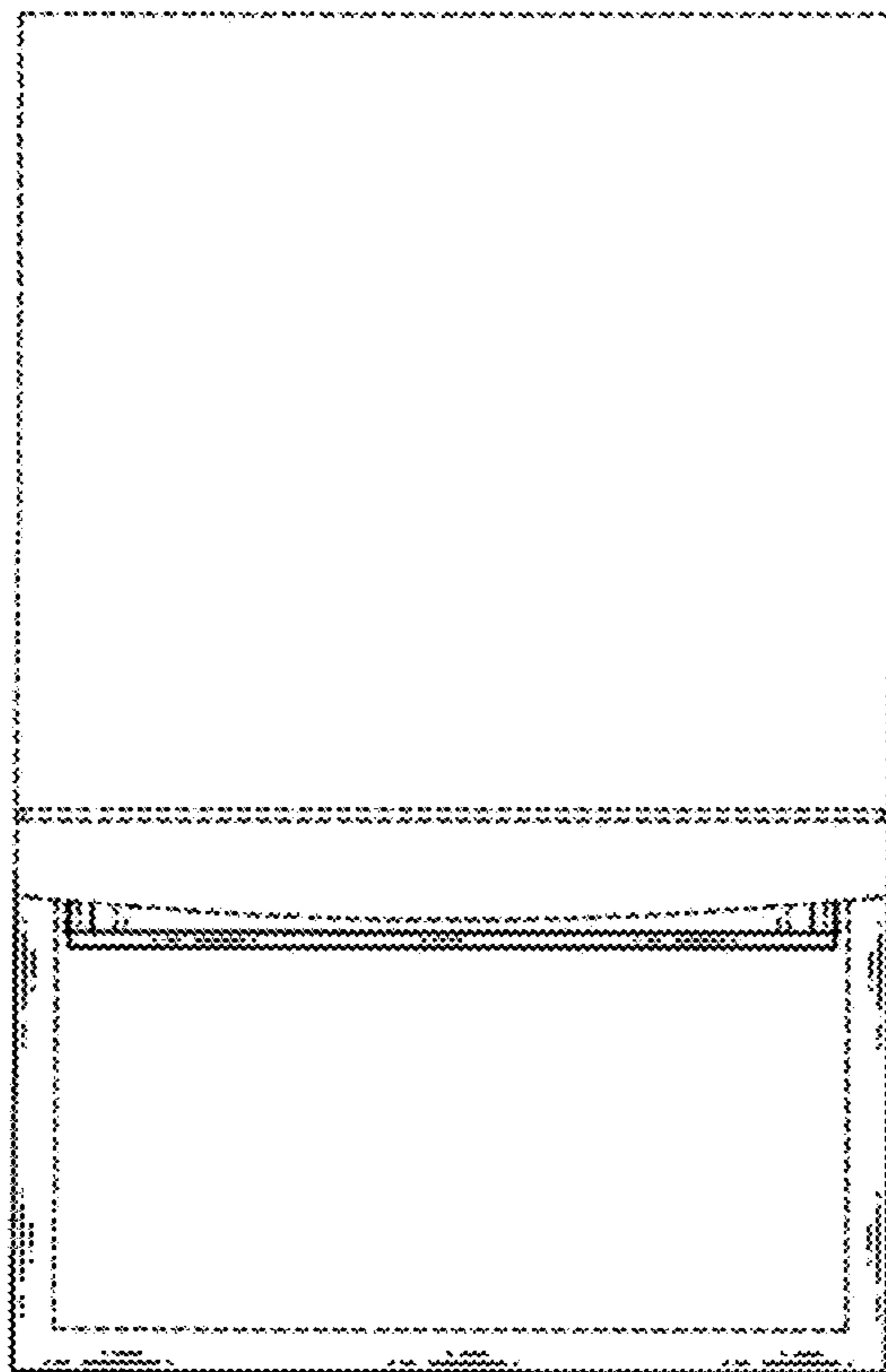


FIG. 13

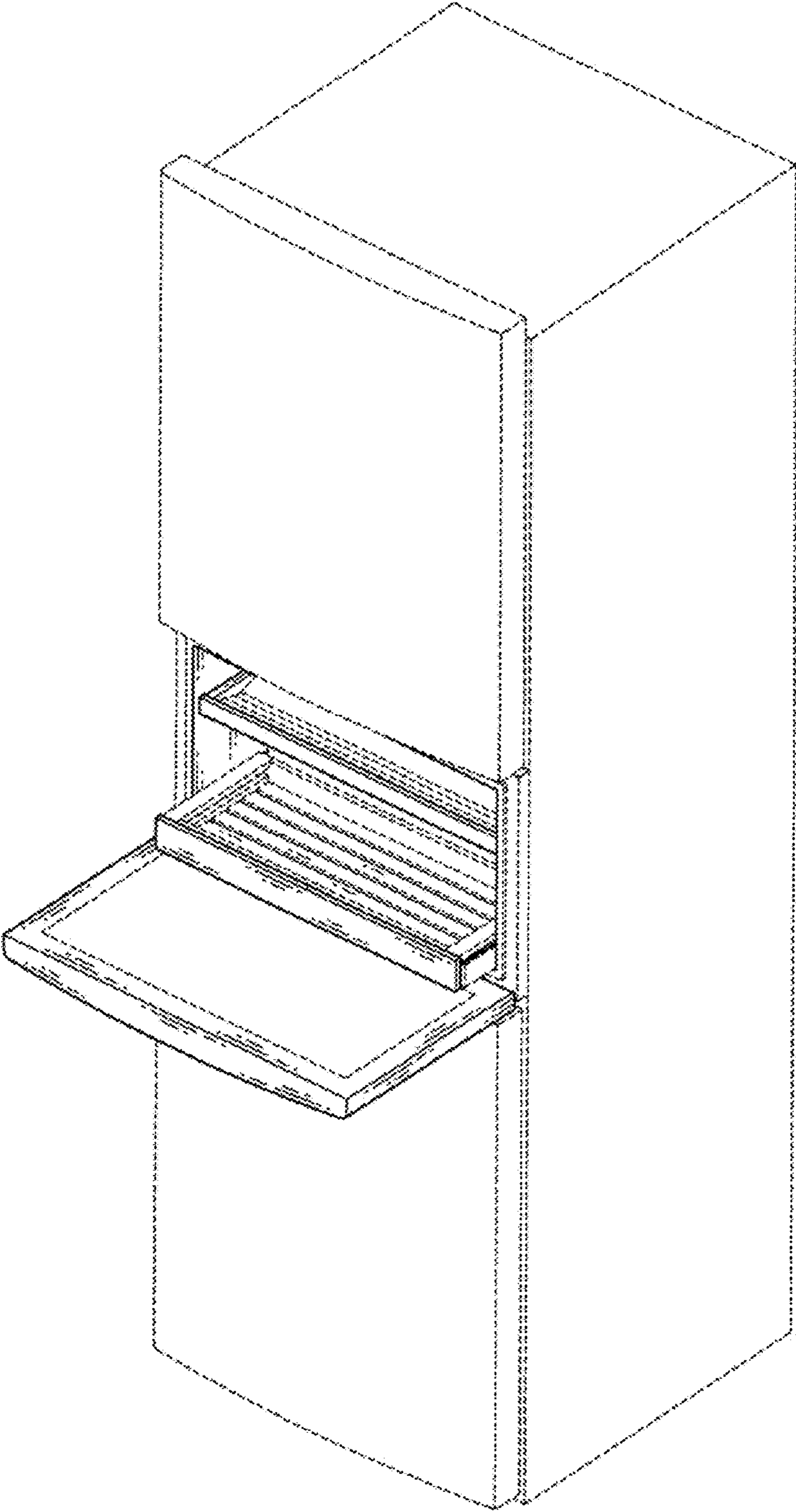


FIG. 14

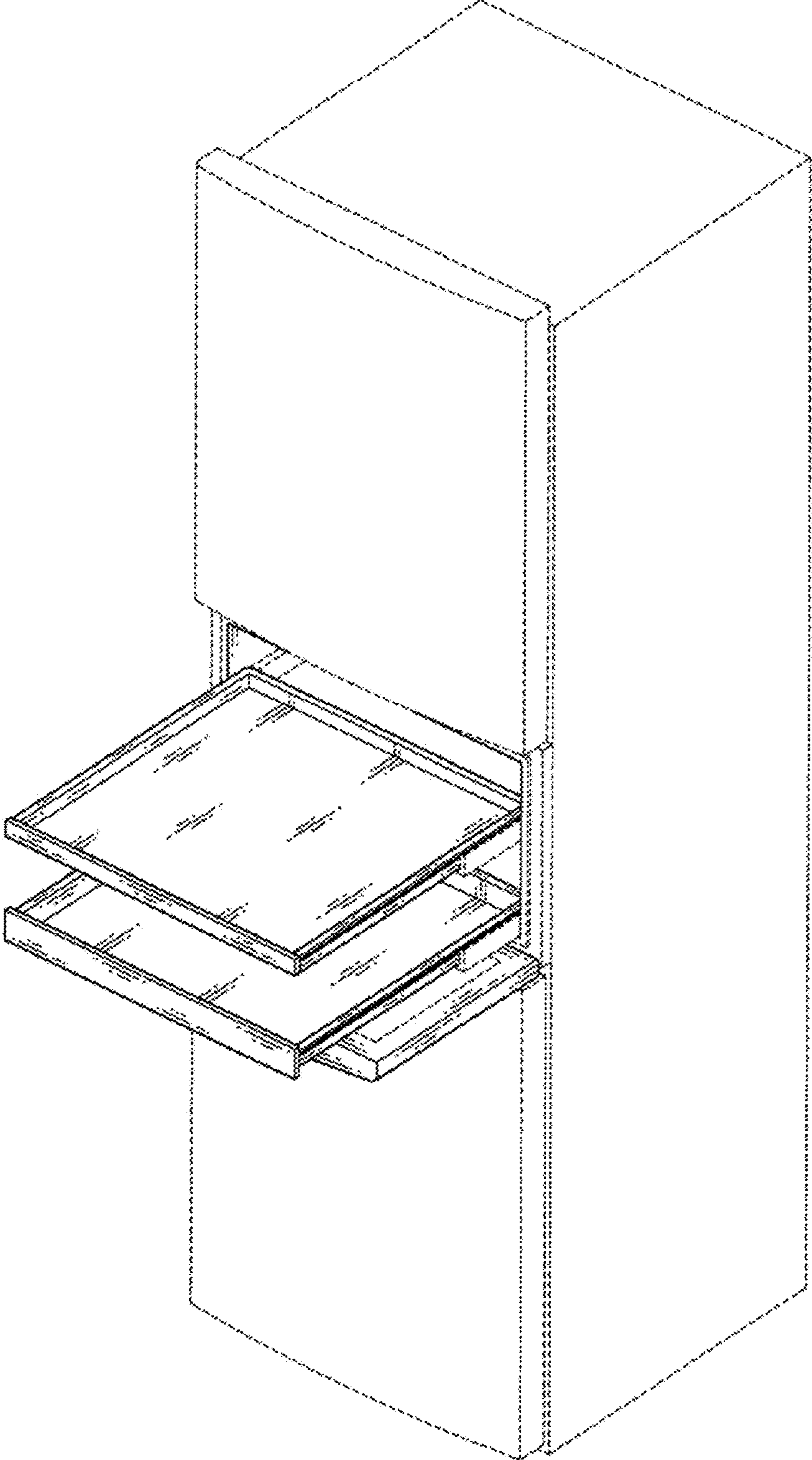


FIG. 15

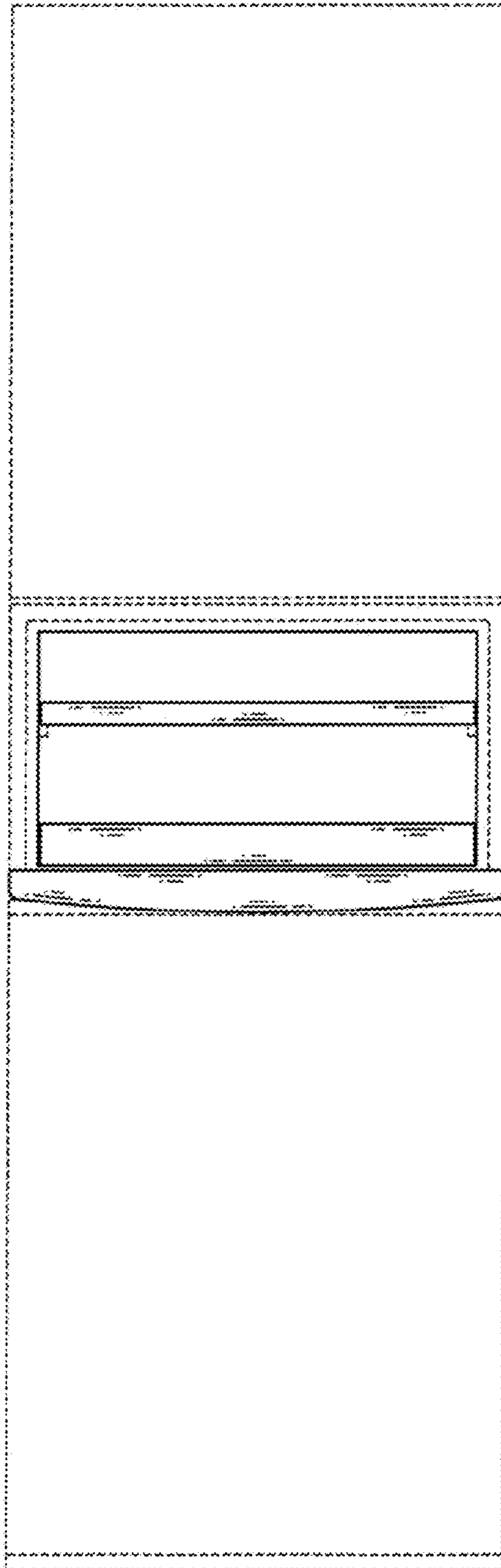


FIG. 16

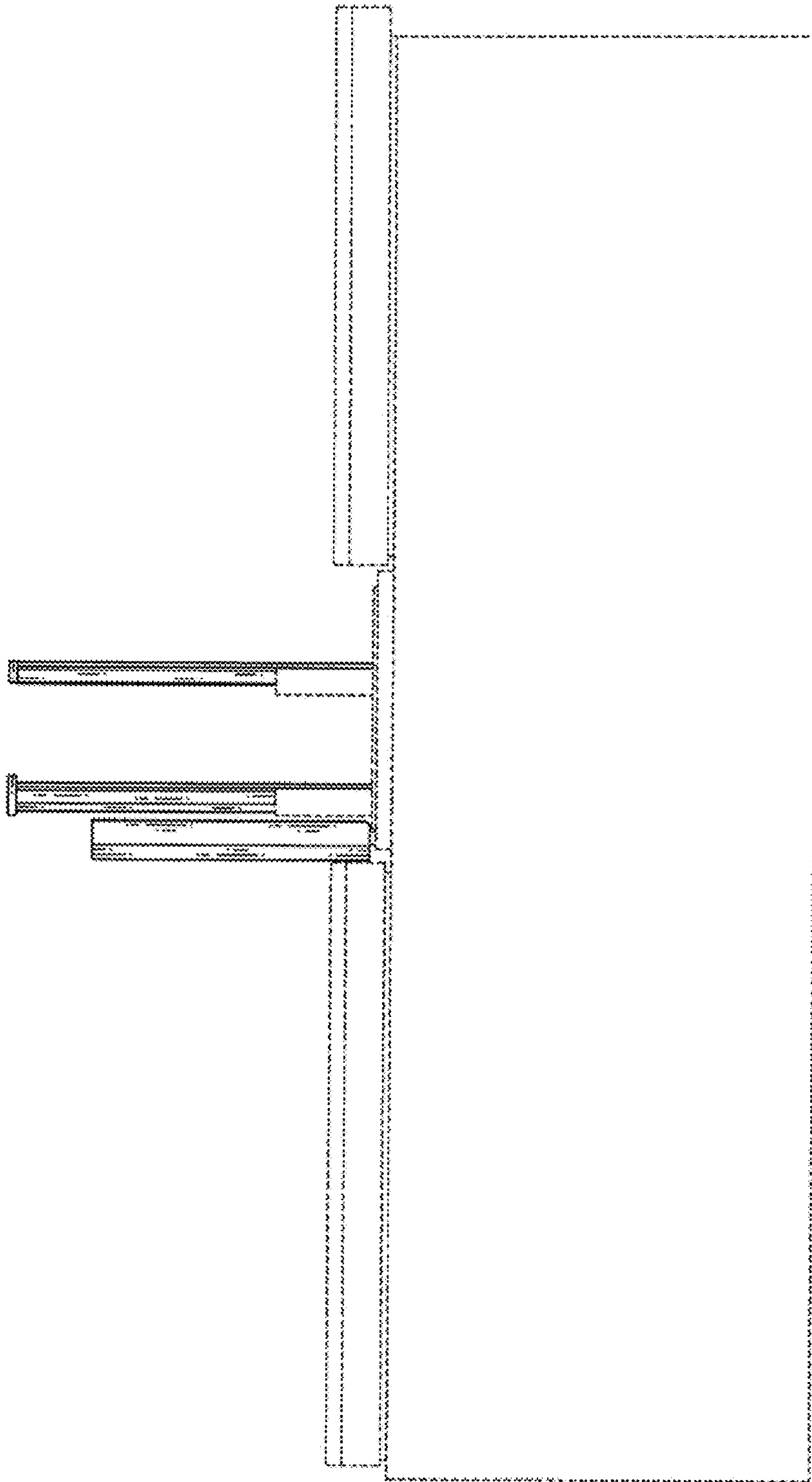


FIG. 17

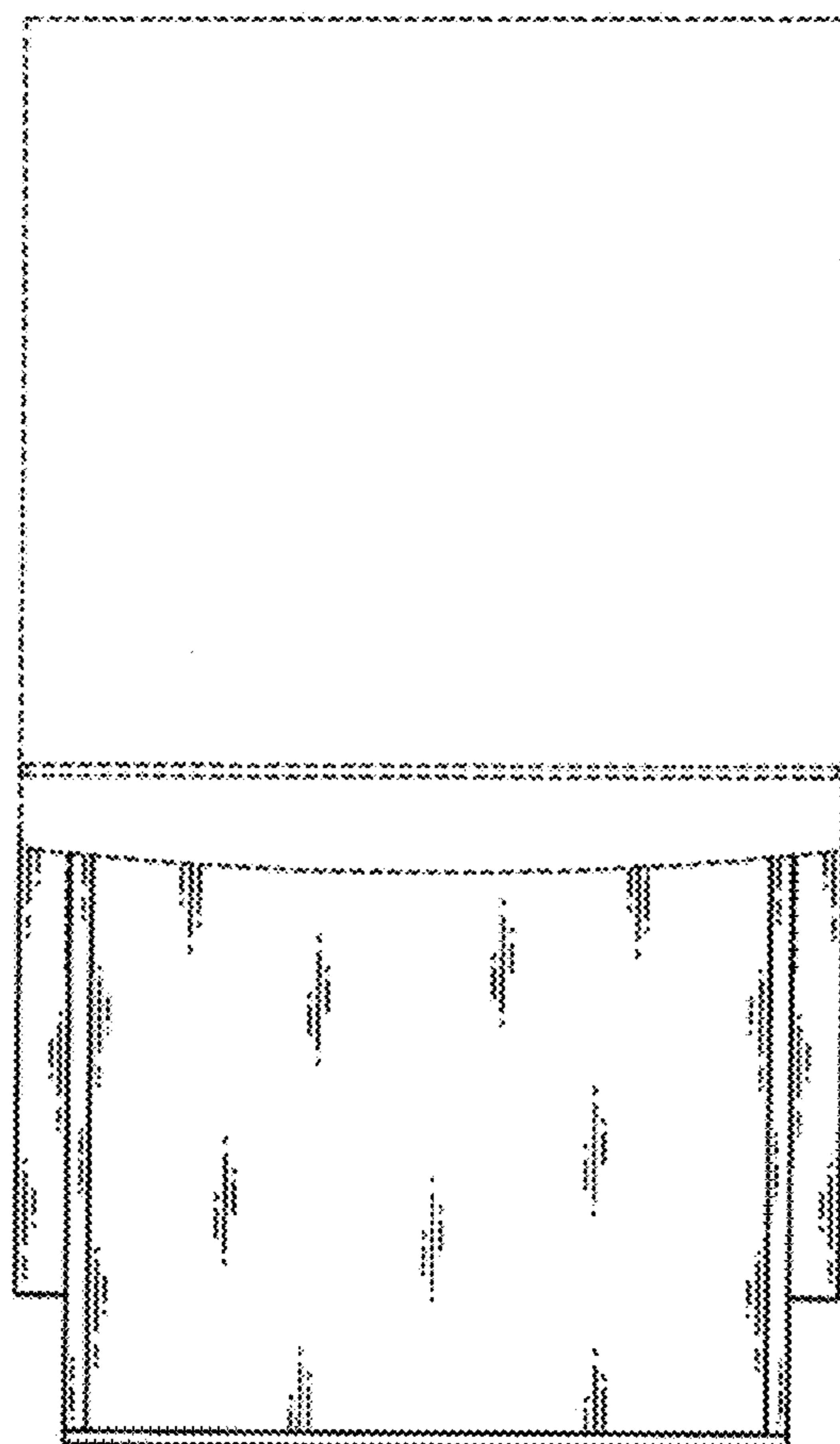


FIG. 18

