

US00D767648S

(12) **United States Design Patent** (10) **Patent No.:** **US D767,648 S**  
**Shoemaker et al.** (45) **Date of Patent:** **\*\* Sep. 27, 2016**

(54) **REFRIGERATOR**

(71) Applicant: **Sears Brands, L.L.C.**, Hoffman Estates, IL (US)

(72) Inventors: **Anthony Shoemaker**, Bartlett, IL (US); **Jason Silverstein**, Hoffmann Estates, IL (US); **Daniel Green**, Charlotte, NC (US); **Roddy Burgess**, Charlotte, NC (US); **Anthony Ogg**, Northvale, NJ (US); **Jae Sang Lee**, Ridgefield, NJ (US)

(73) Assignee: **SEARS BRANDS, L.L.C.**, Hoffman Estates, IL (US)

(\*\*) Term: **15 Years**

(21) Appl. No.: **29/528,304**

(22) Filed: **May 28, 2015**

(51) **LOC (10) Cl.** ..... **15-07**

(52) **U.S. Cl.**  
USPC ..... **D15/86**

(58) **Field of Classification Search**  
USPC ..... D15/79-91  
CPC .... F25B 21/02; F25B 2321/02; F25B 1/005; F25B 2321/0252; F25B 1/00; F25B 1/10; F25B 21/04; F25B 2339/047; F25B 5/02; F25B 7/00; F25B 13/00; F25B 1/053; F25B 2309/06; F25B 2321/021; F25B 2321/023; F25D 23/028; F25D 23/02; F25D 25/025; F25D 23/00; F25D 2323/021; F25D 11/00; F25D 2323/024; F25D 23/04; F25D 29/00; F25D 25/02; F25D 25/024; F25D 27/005; F25D 23/12; F25D 29/005; F25D 17/042; F25D 2325/021

See application file for complete search history.

(56) **References Cited**

U.S. PATENT DOCUMENTS

D707,734 S *	6/2014	Seo	.....	D15/86
D714,361 S *	9/2014	Seo	.....	D15/86
D714,362 S *	9/2014	You	.....	D15/86
D716,847 S *	11/2014	You	.....	D15/86
D718,350 S *	11/2014	Jeon	.....	D15/86
D727,375 S *	4/2015	You	.....	D15/86
D741,380 S *	10/2015	Ogg	.....	D15/86

\* cited by examiner

*Primary Examiner* — Daniel Bui

*Assistant Examiner* — Khawaja Anwar

(74) *Attorney, Agent, or Firm* — McAndrews, Held & Malloy, Ltd.

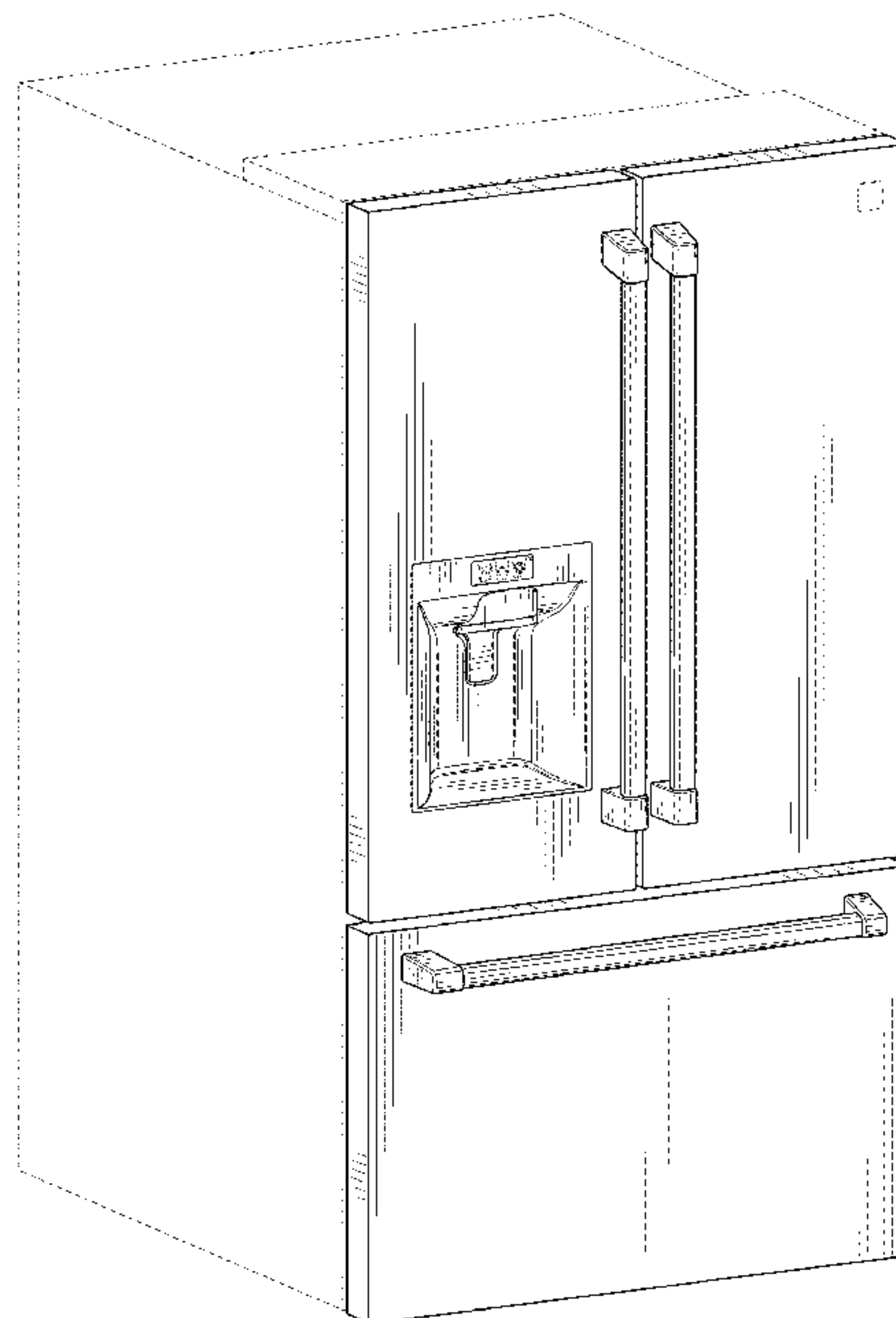
(57) **CLAIM**

The ornamental design for a refrigerator, as shown and described.

**DESCRIPTION**

FIG. 1 is a top left front perspective view of a refrigerator showing our new design;  
FIG. 2 is a front view thereof;  
FIG. 3 is a right-side elevation view thereof;  
FIG. 4 is a left-side elevation view thereof;  
FIG. 5 is a top plan view thereof; and,  
FIG. 6 is a bottom plan view thereof.  
The dashed broken lines are for environmental purposes only and form no part of the claimed design.

**1 Claim, 5 Drawing Sheets**



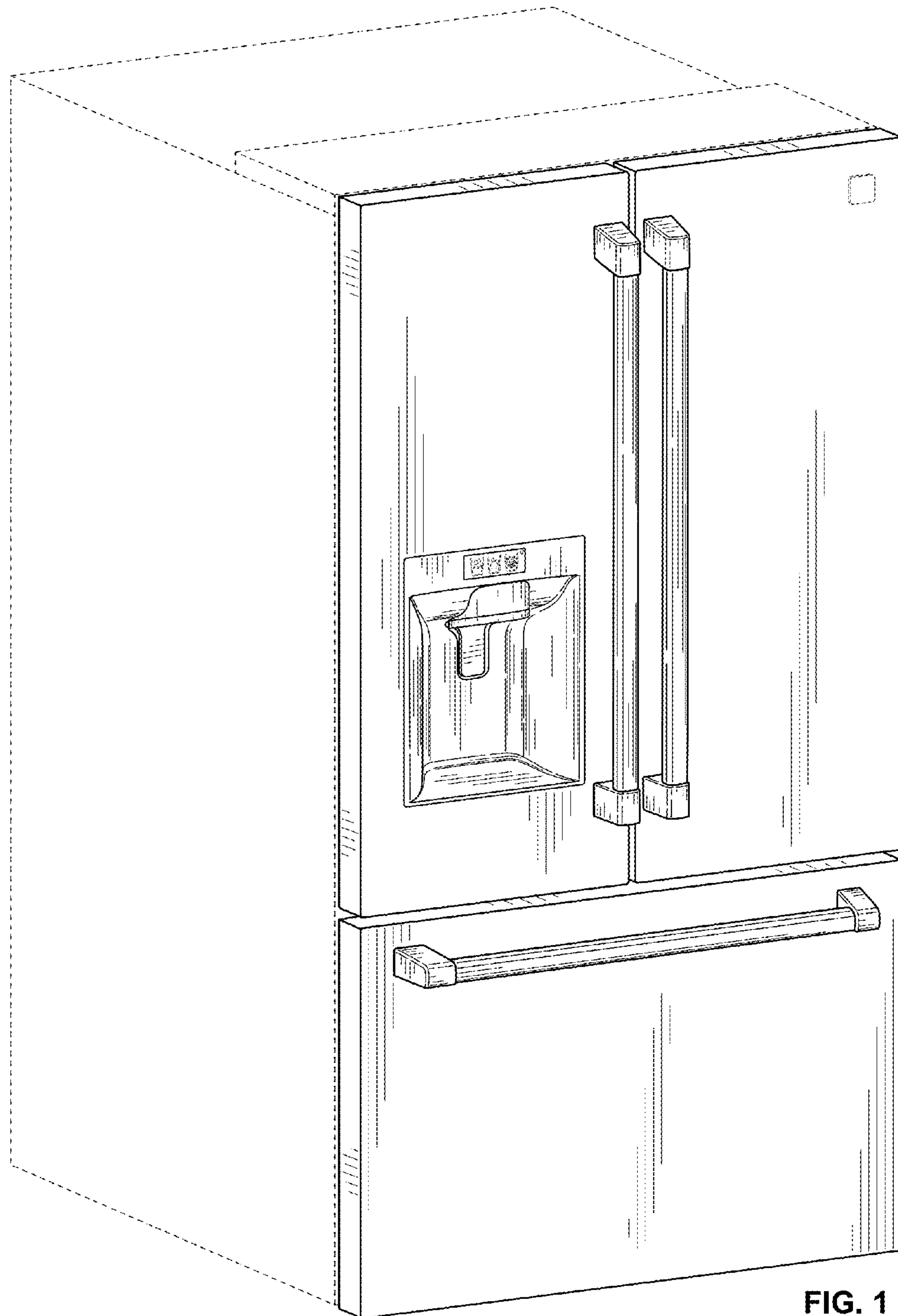


FIG. 1

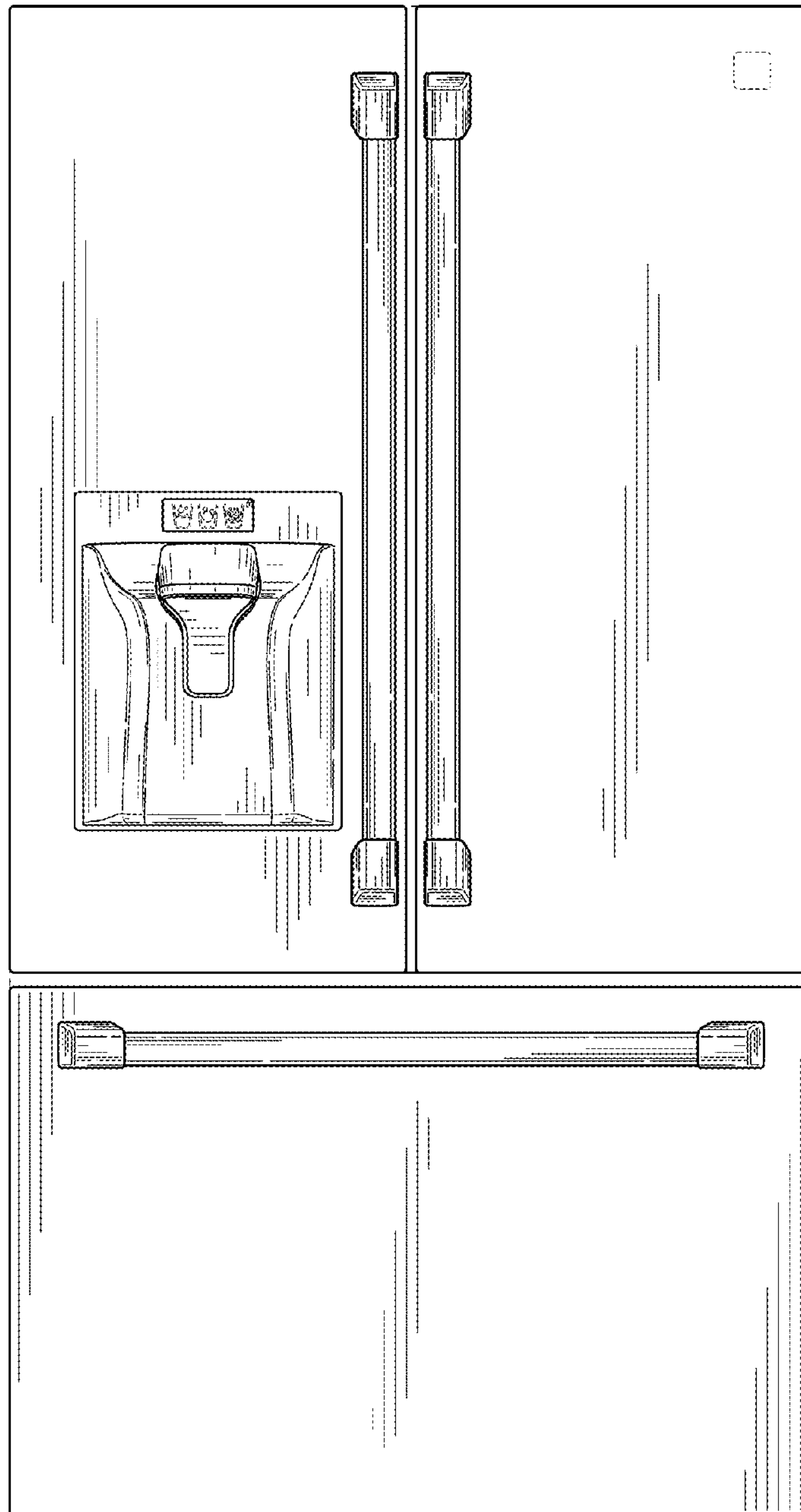


FIG. 2

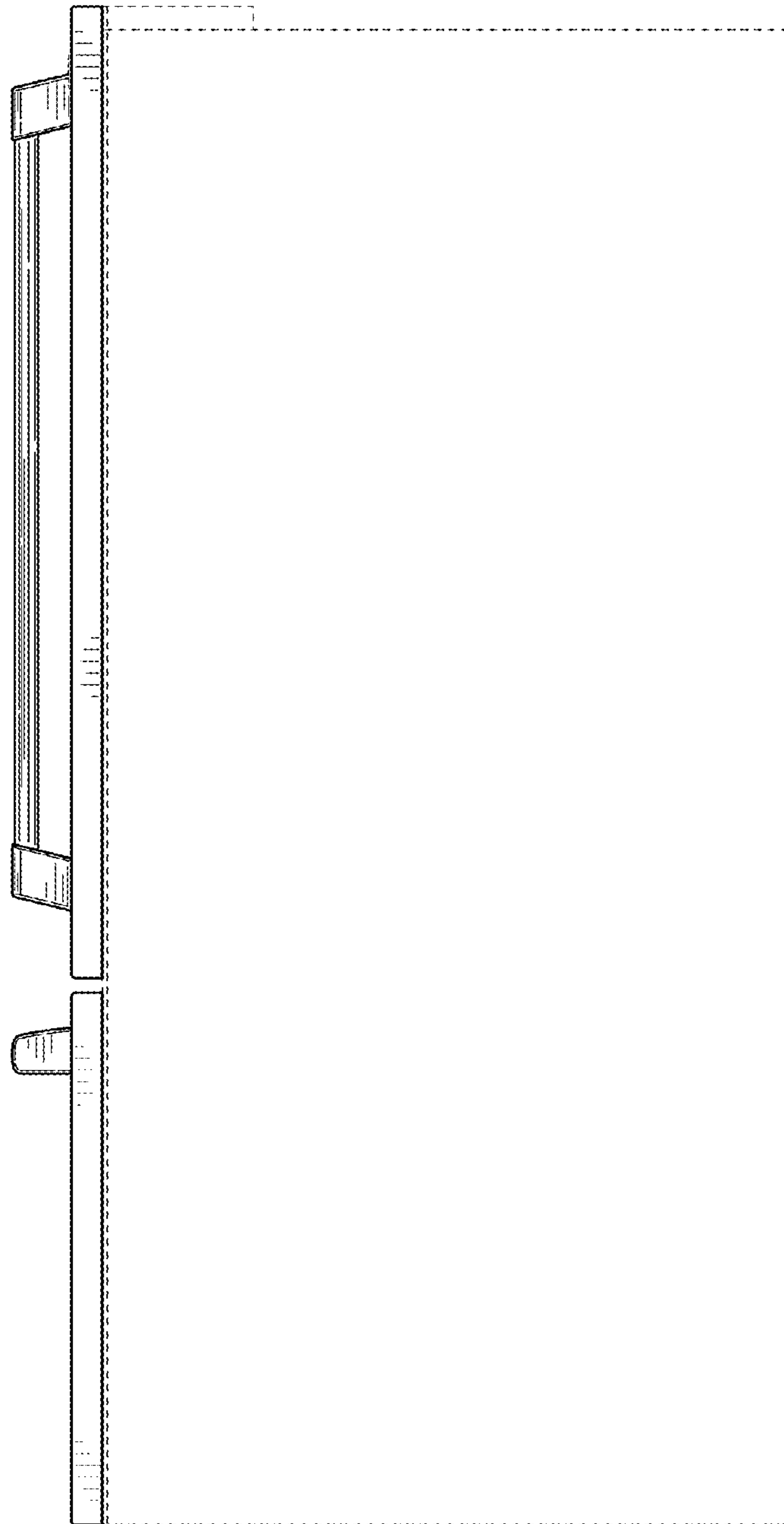


FIG. 3

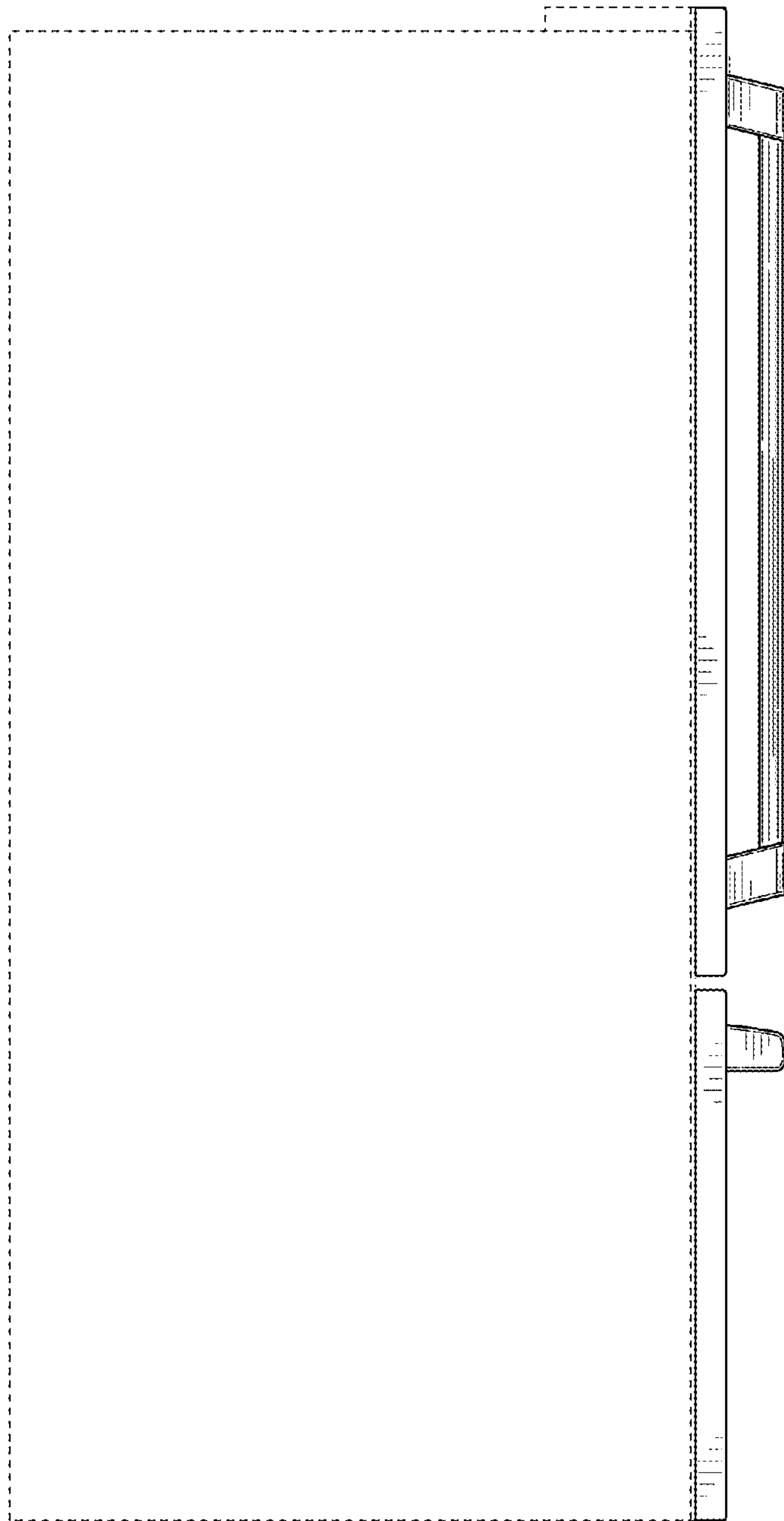


FIG. 4

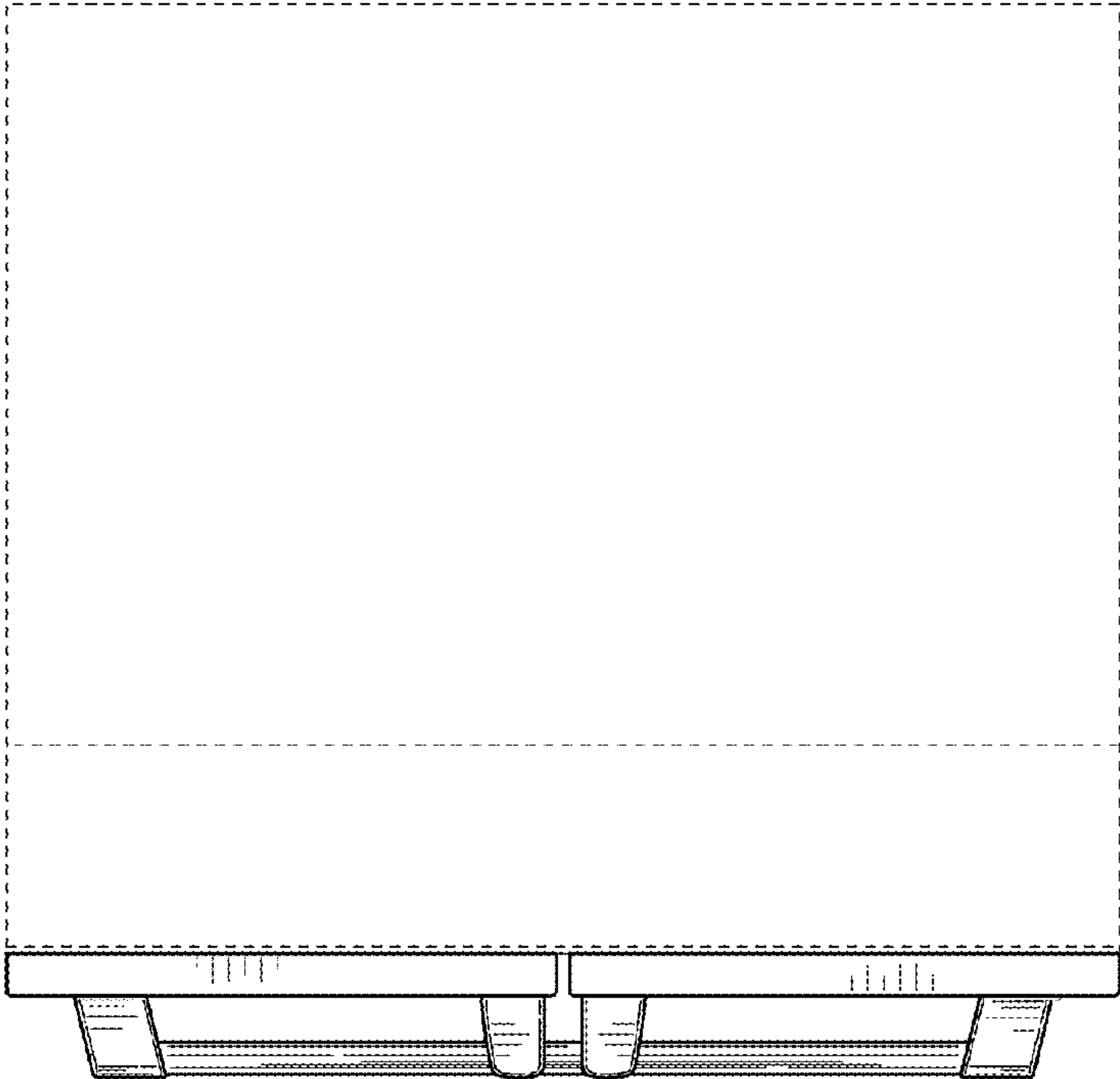


FIG. 5

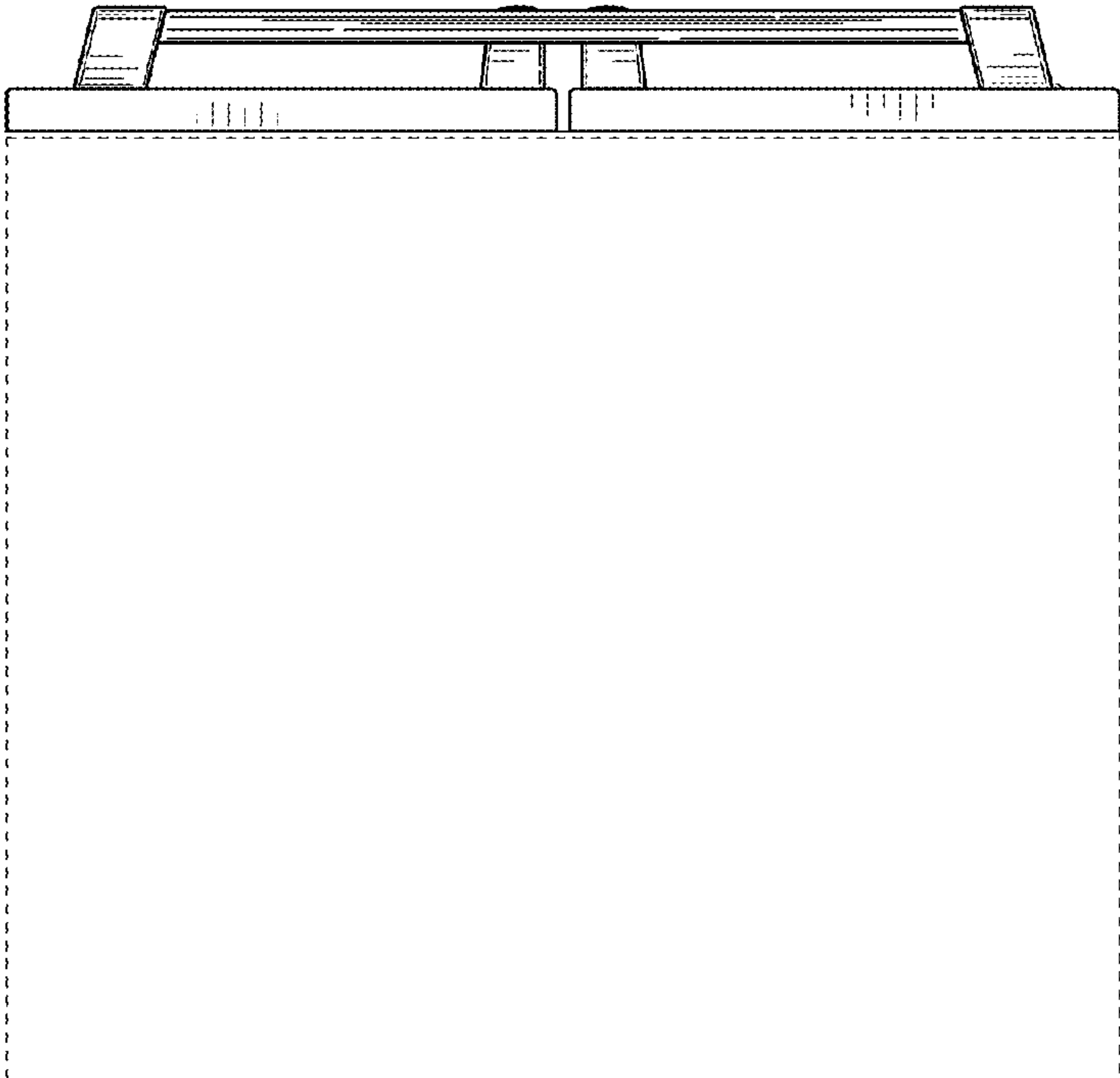


FIG. 6