

US00D767647S

(12) **United States Design Patent**
Kunz

(10) **Patent No.:** **US D767,647 S**

(45) **Date of Patent:** **** Sep. 27, 2016**

(54) **LIP SHROUD FOR GROUND ENGAGING MACHINE IMPLEMENT**

(71) Applicant: **Caterpillar Inc.**, Peoria, IL (US)

(72) Inventor: **Phillip J. Kunz**, Morton, IL (US)

(73) Assignee: **Caterpillar Inc.**, Peoria, IL (US)

(**) Term: **14 Years**

(21) Appl. No.: **29/524,172**

(22) Filed: **Apr. 17, 2015**

(51) **LOC (10) Cl.** **15-03**

(52) **U.S. Cl.**
USPC **D15/32; D15/28**

(58) **Field of Classification Search**
USPC D15/11, 21, 28, 29, 32; 172/172, 701.2, 172/701.3, 713, 719, 772.5, 770, 771; 37/444, 446, 449, 452-456, 448, 903
CPC ... E02F 9/2833; E02F 9/2825; E02F 9/2883; E02F 9/2841; E02F 9/28; E02F 3/40; E21C 35/183; Y10Y 403/7069; Y10Y 403/7018; Y10Y 403/587
See application file for complete search history.

(56) **References Cited**

U.S. PATENT DOCUMENTS

2,256,488	A	9/1941	Murtaugh	
3,079,710	A	3/1963	Larsen et al.	
D251,431	S	3/1979	Klett et al.	
4,980,980	A	1/1991	Schadov et al.	
5,088,214	A	2/1992	Jones	
D336,476	S	6/1993	Garman	
5,515,625	A	5/1996	Keigley	
5,553,409	A	9/1996	Irving	
D378,006	S *	2/1997	Clendenning	D32/54
D381,484	S *	7/1997	Clendenning	D32/54
5,709,043	A	1/1998	Jones et al.	
6,457,269	B1 *	10/2002	Esterhuysen	E02F 9/285 172/713
6,735,891	B2	5/2004	Pallas Moreno et al.	
6,745,503	B1	6/2004	Pallas Moreno et al.	

6,993,861	B2 *	2/2006	Carpenter	E02F 9/28 172/753
7,266,914	B2 *	9/2007	Grant	E02F 3/40 37/444
D554,157	S *	10/2007	Renski	D15/28
7,275,338	B2 *	10/2007	LaHood	E02F 9/2883 37/449
D567,825	S	4/2008	Clendenning et al.	
D567,826	S	4/2008	Clendenning et al.	
D567,827	S	4/2008	Clendenning et al.	
7,367,144	B2 *	5/2008	Jones	E02F 9/28 172/772.5
D576,644	S	9/2008	Clendenning et al.	

(Continued)

FOREIGN PATENT DOCUMENTS

WO WO 2007/016719 A1 2/2007

OTHER PUBLICATIONS

U.S. Appl. No. 29/500,700, filed Aug. 27, 2014. (Unpublished).

(Continued)

Primary Examiner — Mark Goodwin

(74) *Attorney, Agent, or Firm* — Saidman DesignLaw Group, LLC

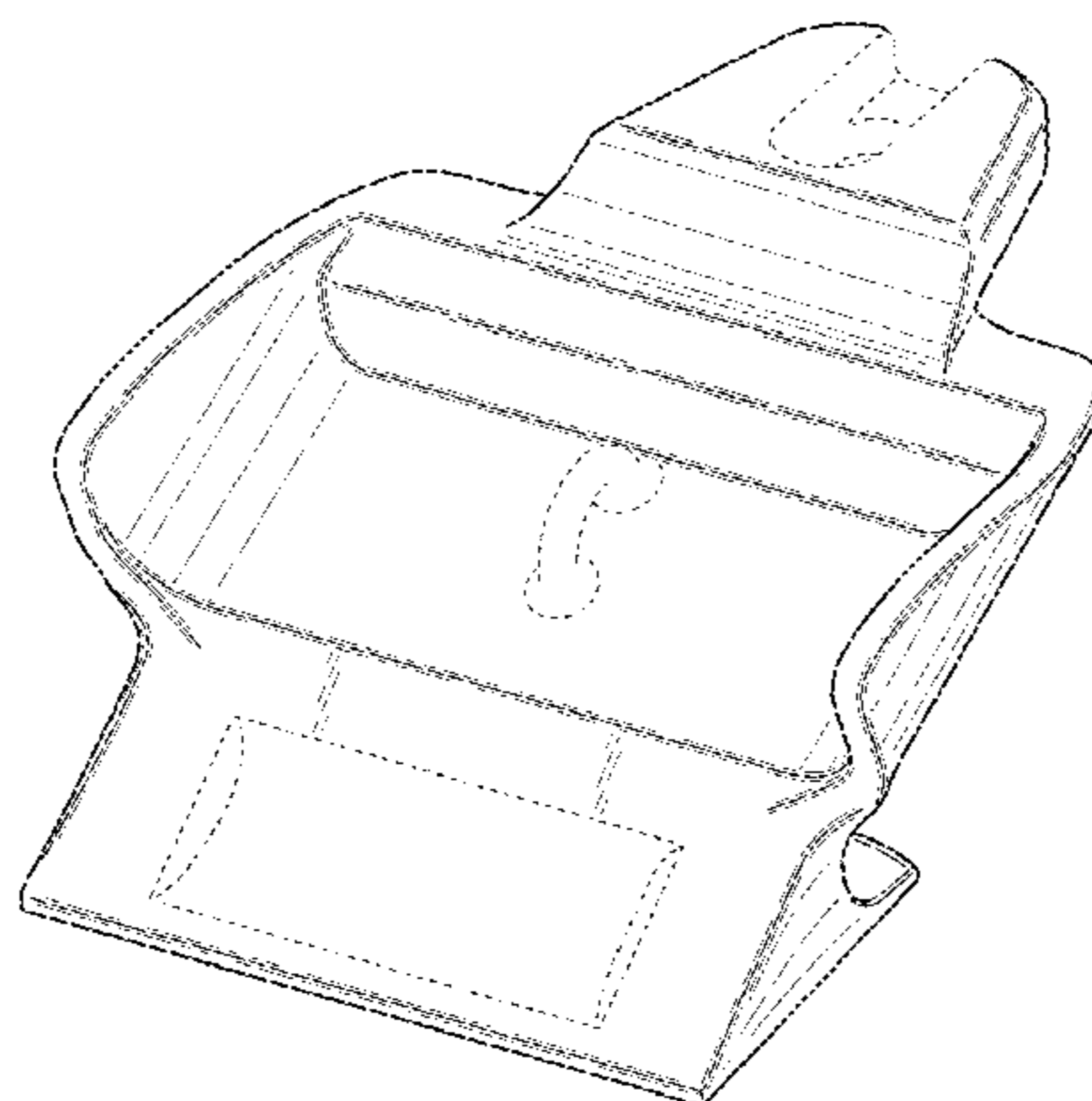
(57) **CLAIM**

The ornamental design for a lip shroud for ground engaging machine implement, as shown and described.

DESCRIPTION

FIG. 1 is a front perspective view of a lip shroud for ground engaging machine implement showing my new design; FIG. 2 is a front view thereof; FIG. 3 is a rear view thereof; FIG. 4 is a left side view thereof; FIG. 5 is a right side view thereof; FIG. 6 is a top view thereof; and, FIG. 7 is a bottom view thereof. The dashed broken lines illustrate structure or features that form no part of the claimed design. The relatively thin shade lines represent contour, not surface ornamentation.

1 Claim, 4 Drawing Sheets



(56)

References Cited

U.S. PATENT DOCUMENTS

7,793,444 B2 9/2010 Jones
 D643,049 S * 8/2011 Nickels D15/28
 8,572,870 B2 11/2013 Kudo et al.
 D706,307 S 6/2014 Renski et al.
 D707,264 S 6/2014 Renski et al.
 D727,367 S 4/2015 Renski et al.
 D727,369 S 4/2015 Renski et al.
 D728,635 S 5/2015 Kunz
 D741,918 S * 10/2015 Hooijmans D15/28
 D751,610 S * 3/2016 Serrurier D15/28
 2003/0024139 A1 * 2/2003 Jones E02F 9/28
 37/456
 2006/0117613 A1 * 6/2006 Jones E02F 9/28
 37/456
 2013/0185964 A1 7/2013 Anisy et al.
 2013/0318840 A1 12/2013 Ollinger, IV et al.

2014/0082976 A1 3/2014 Vicq et al.
 2014/0082977 A1 3/2014 Pilon
 2014/0173949 A1 * 6/2014 Karlsson E02F 9/2825
 37/455
 2015/0211215 A1 * 7/2015 Dallard E02F 3/40
 37/448
 2015/0247306 A1 * 9/2015 Kunz E02F 9/2891
 37/455

OTHER PUBLICATIONS

U.S. Appl. No. 29/524,183, filed Apr. 17, 2015. (Unpublished).
 U.S. Appl. No. 29/524,178, filed Apr. 17, 2015. (Unpublished).
 U.S. Appl. No. 62/148,992, filed Apr. 17, 2015. (Unpublished).
 U.S. Appl. No. 62/149,077, filed Apr. 17, 2015. (Unpublished).
 U.S. Appl. No. 62/149,161, filed Apr. 17, 2015. (Unpublished).
 U.S. Appl. No. 62/149,229, filed Apr. 17, 2015. (Unpublished).

* cited by examiner

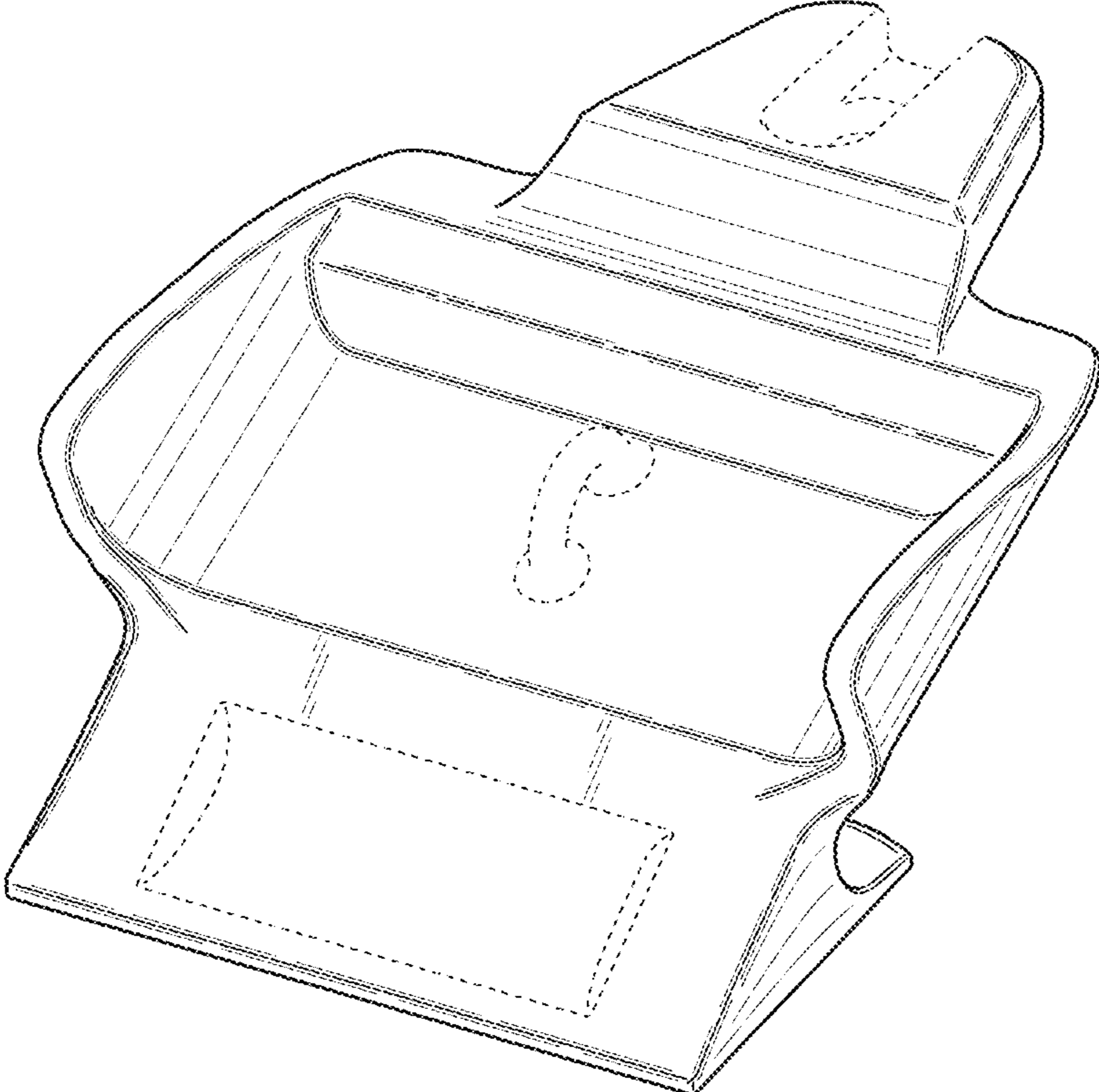


Fig. 1

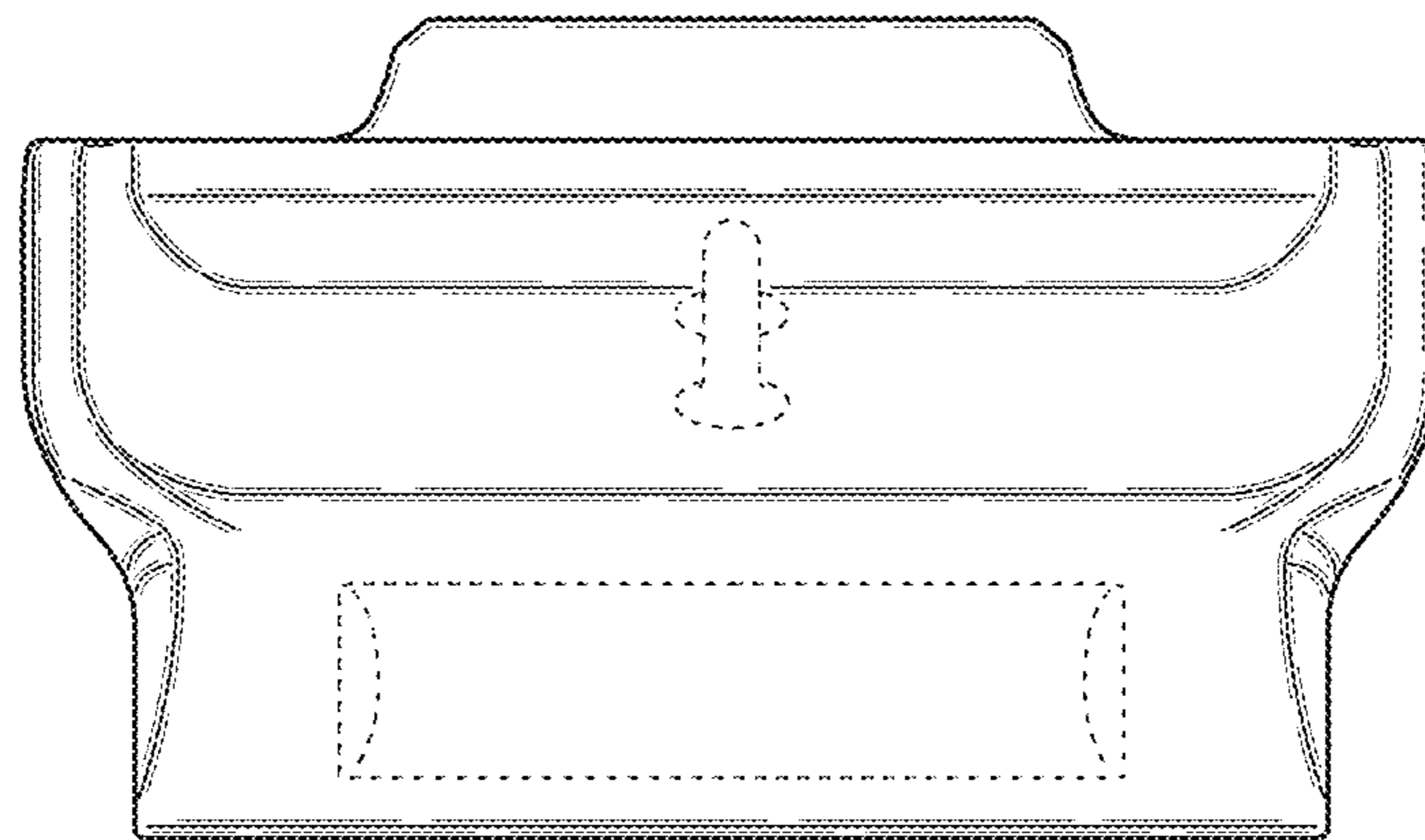


Fig. 2

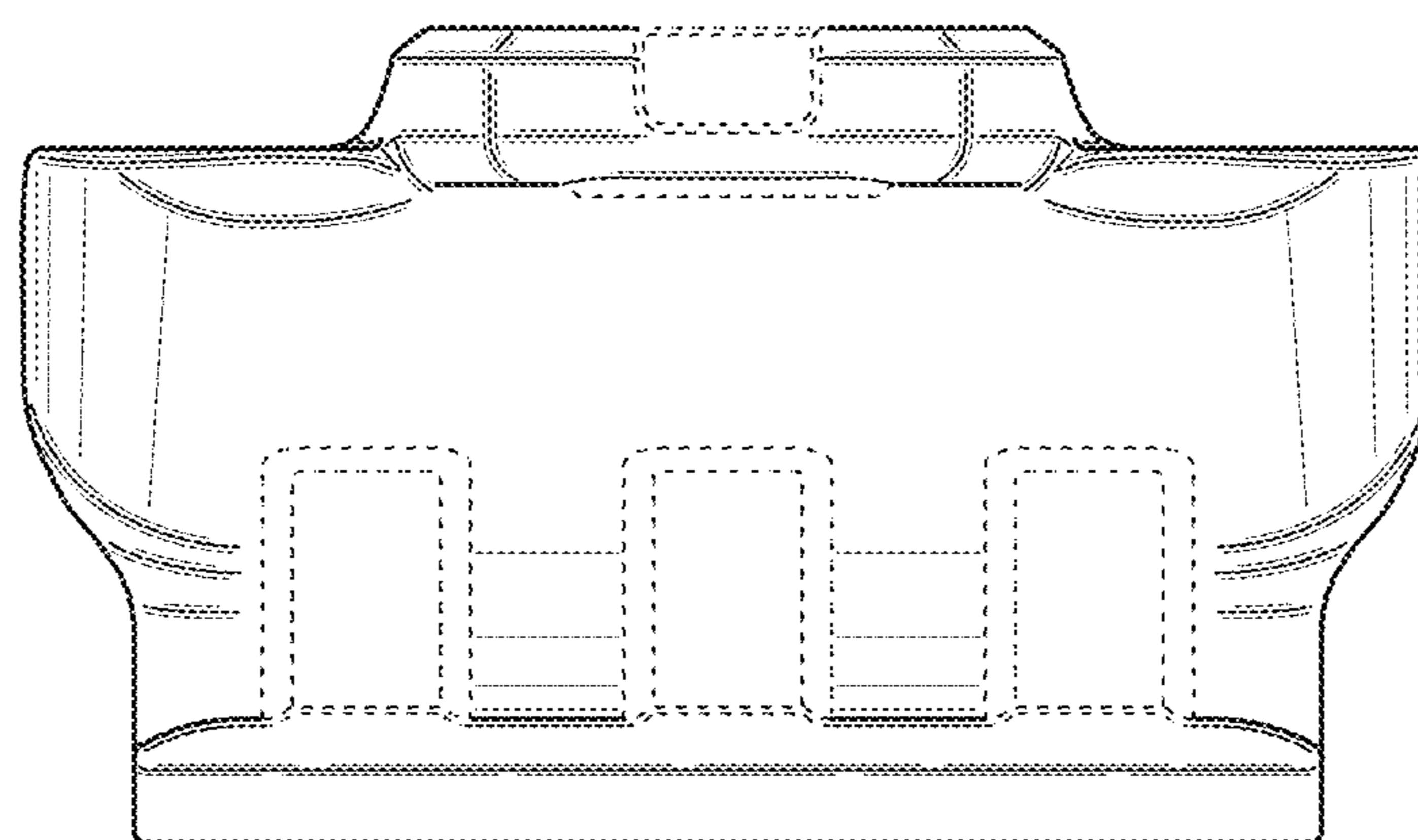


Fig. 3

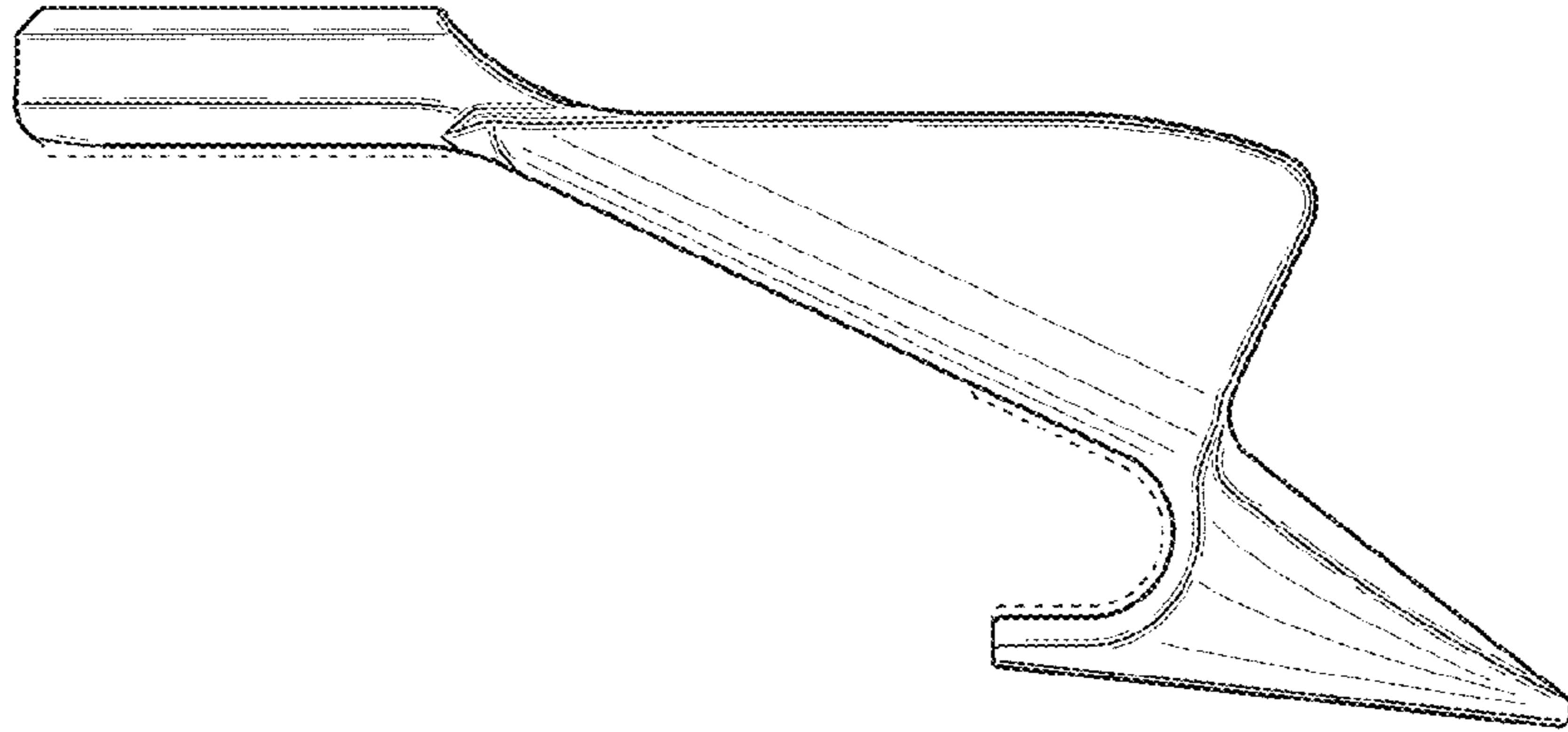


Fig. 4

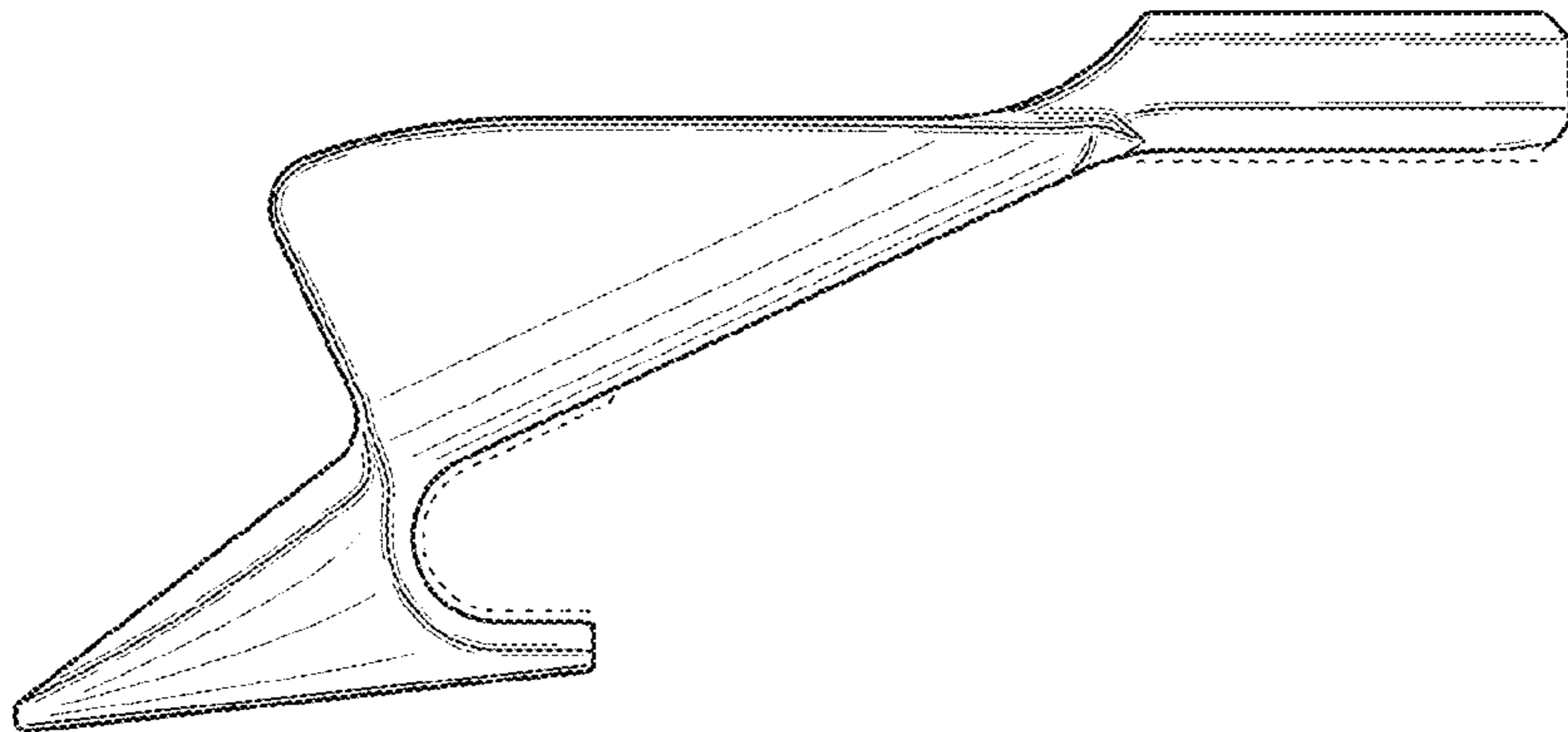


Fig. 5

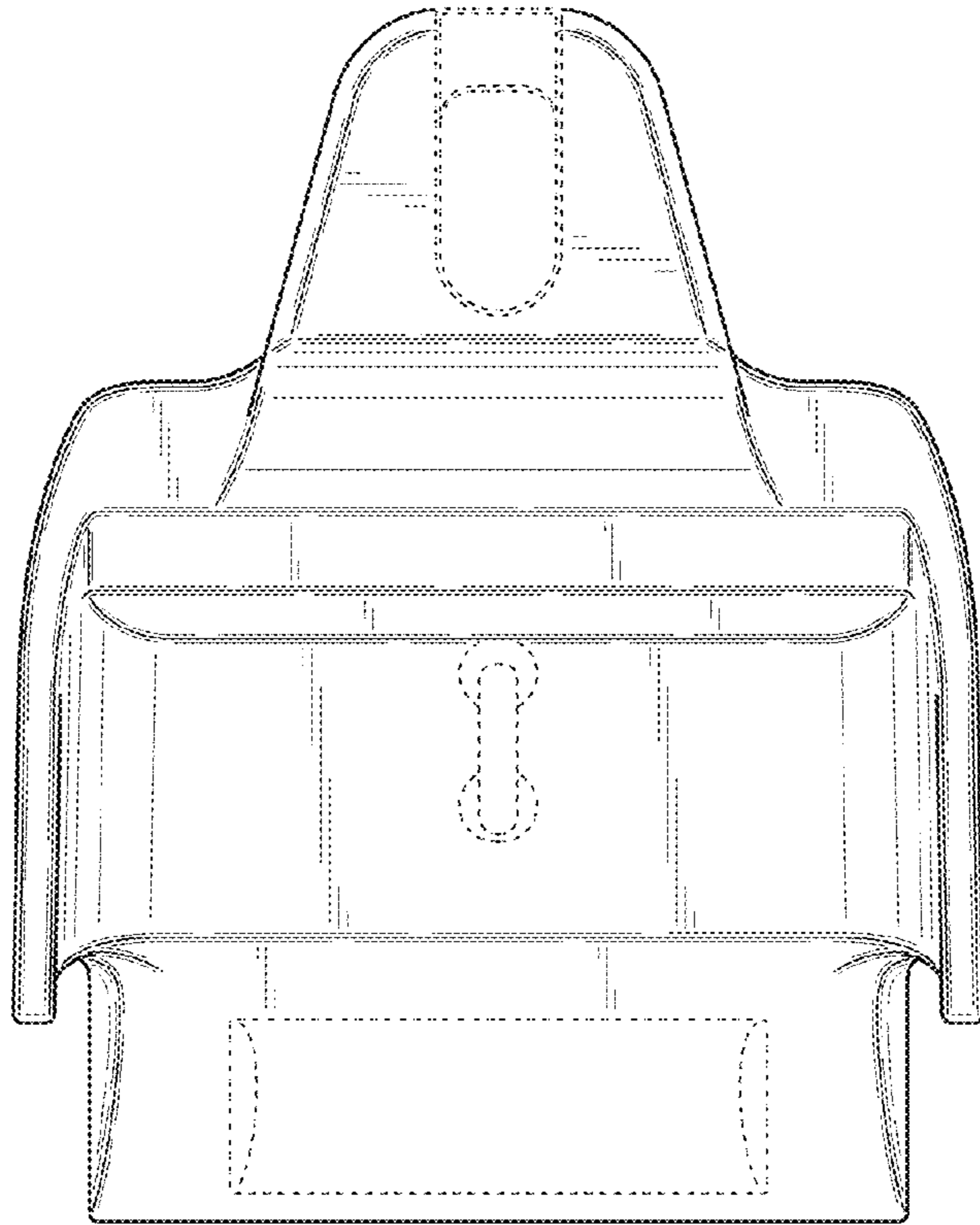


Fig. 6

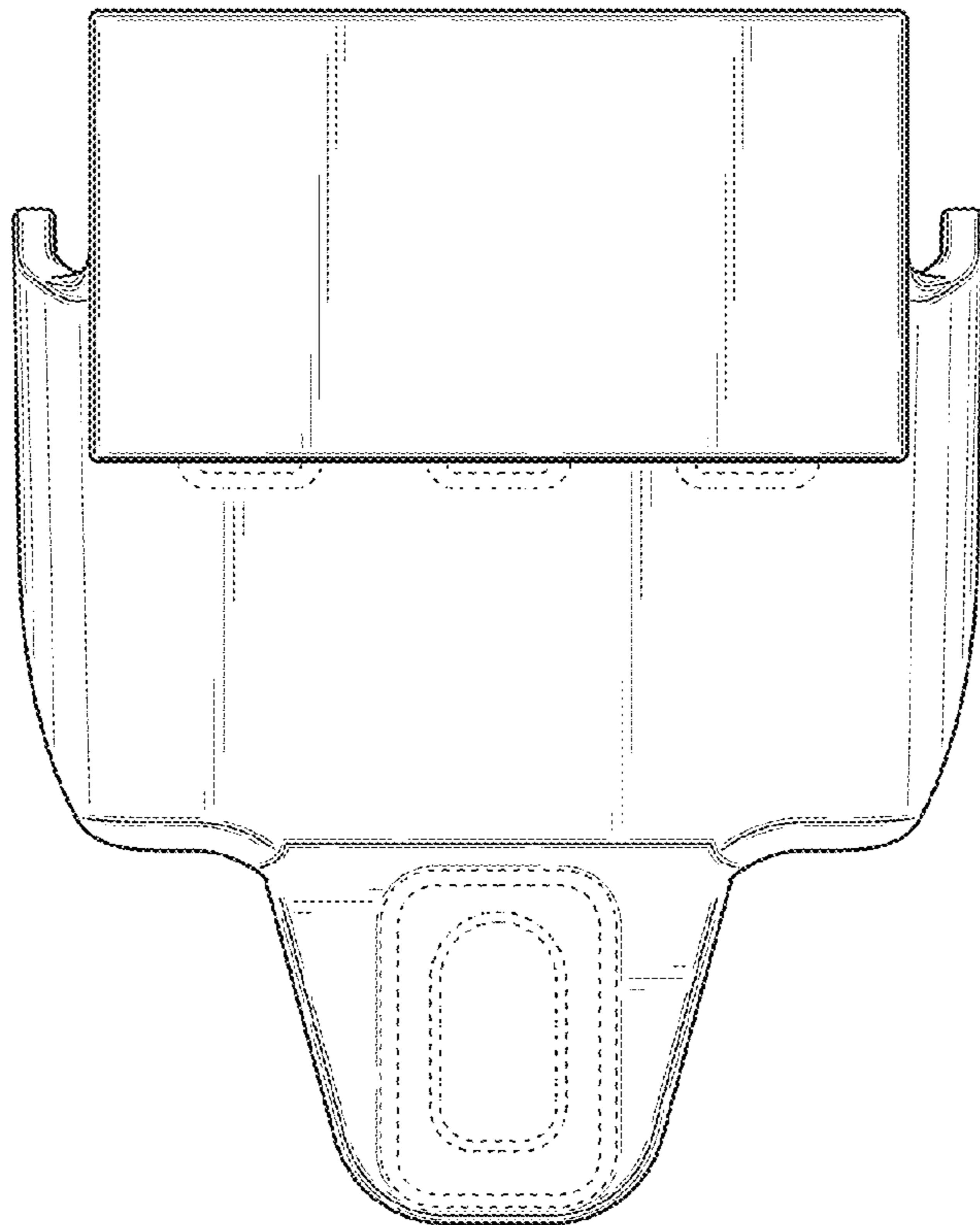


Fig. 7