



US00D767646S

(12) **United States Design Patent**
Underhill et al.

(10) **Patent No.:** **US D767,646 S**

(45) **Date of Patent:** **** Sep. 27, 2016**

(54) **LOUVER FOR A BACKHOE LOADER**

(71) Applicant: **J.C. BAMFORD EXCAVATORS LIMITED**, Rocester, Staffordshire (GB)

(72) Inventors: **Thomas Edward Underhill**, Rocester (GB); **Samuel John Jilbert**, Rocester (GB)

(73) Assignee: **J.C. BAMFORD EXCAVATORS LIMITED**, Utttoxeter (GB)

(**) Term: **15 Years**

(21) Appl. No.: **29/539,049**

(22) Filed: **Sep. 10, 2015**

(30) **Foreign Application Priority Data**

Mar. 10, 2015 (EM) 001431910

(51) **LOC (10) Cl.** **15-03**

(52) **U.S. Cl.**
USPC **D15/31; D15/28**

(58) **Field of Classification Search**

USPC D15/10, 11, 13-17, 28, 22-26, 31, 30;
D12/173; 180/69.21, 89.1, 89.12, 900,
180/69.2, 68.1, 69.1; 56/13.3, 13.4, 15.8,
56/15.9, 320.1

CPC F01P 11/10; F01P 2001/005; F01P 5/06;
B60K 11/04; B60K 11/08; B60Y 2200/221;
B60R 19/52; B60R 21/38

See application file for complete search history.

(56) **References Cited**

U.S. PATENT DOCUMENTS

D311,543 S * 10/1990 Hardzinski D15/17
D381,025 S * 7/1997 Bataille D15/31
D389,492 S * 1/1998 Schmidt D15/17
D411,210 S * 6/1999 Goebert D12/163
D447,153 S * 8/2001 Hornung D15/17

D474,206 S * 5/2003 Kuwae D15/31
D483,383 S * 12/2003 Crookes D15/31
D488,488 S * 4/2004 Montgomery D15/31
D488,489 S * 4/2004 Montgomery D15/31
D498,485 S * 11/2004 Kuwae D15/31
D554,669 S * 11/2007 Crookes D15/31
D560,692 S * 1/2008 Moen D15/31
D624,944 S * 10/2010 Major D15/31
D624,945 S * 10/2010 Major D15/31
D631,489 S * 1/2011 Booth D15/31
D646,305 S * 10/2011 Krogh D15/31
D655,317 S * 3/2012 Hagele D15/31
D655,318 S * 3/2012 Hagele D15/31

(Continued)

Primary Examiner — Mark Goodwin

(74) *Attorney, Agent, or Firm* — Marshall, Gerstein & Borun LLP

(57) **CLAIM**

The ornamental design for a louver for a backhoe loader, as shown and described.

DESCRIPTION

FIG. 1 is a side elevation view of a right-side louver for a backhoe loader showing one embodiment of the new design. FIG. 2 is a side elevation view of a left-side louver for a backhoe loader.

FIG. 3 is a left-side elevation view showing the placement of the louver on the hood of a backhoe loader.

FIG. 4 is a right-side elevation view showing the placement of the louver on the hood of a backhoe loader.

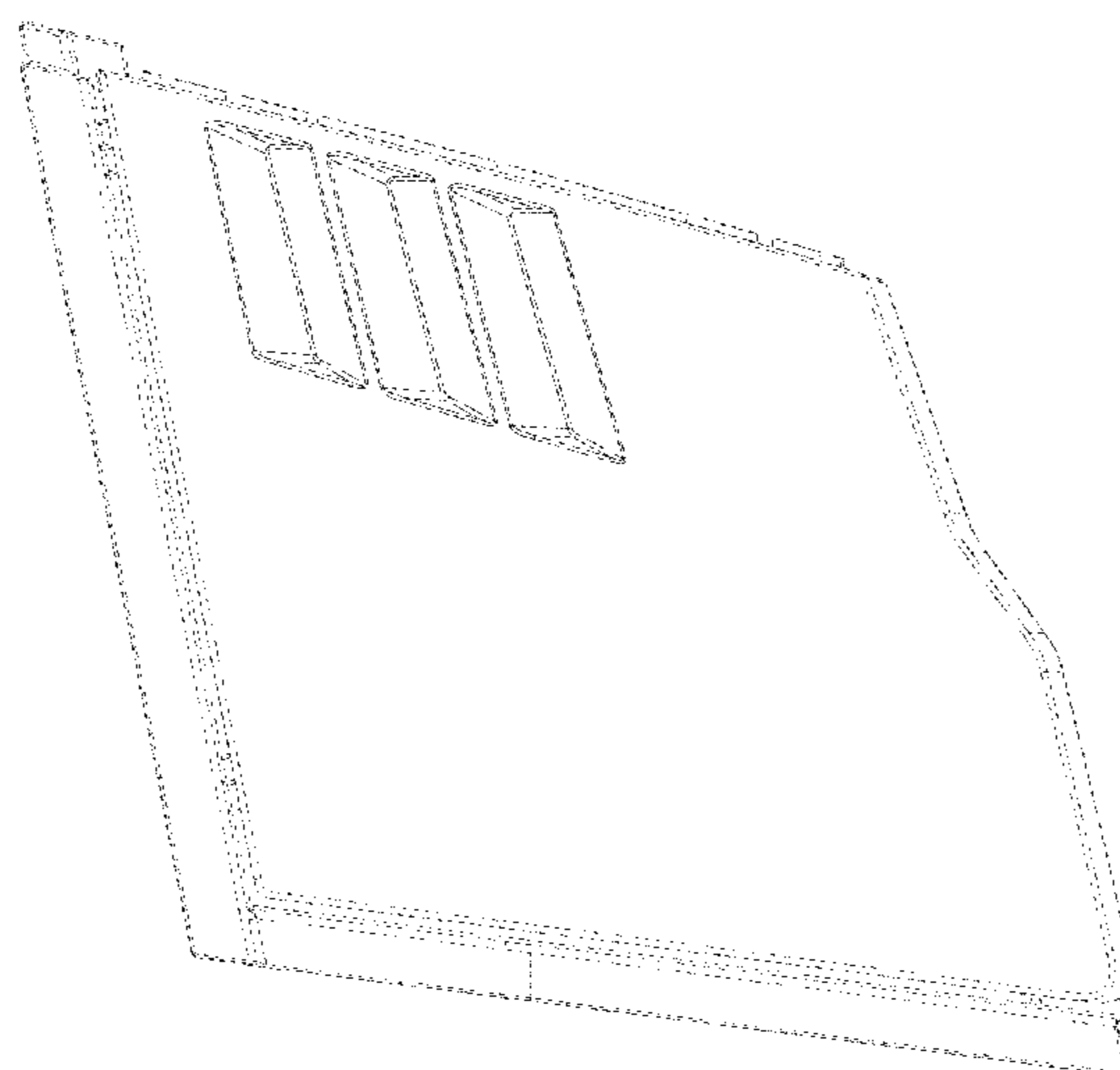
FIG. 5 is a front, left-side, and top view showing the placement of the louver on the hood of a backhoe loader; and,

FIG. 6 is a front, right-side, and top view showing the placement of the louver on the hood of a backhoe loader.

The broken lines show environmental structure and form no part of the claimed design.

Any elements that are not clearly disclosed are not part of the claimed design.

1 Claim, 6 Drawing Sheets



(56)

References Cited

U.S. PATENT DOCUMENTS

D661,323 S *	6/2012	Krogh	D15/31	D690,327 S *	9/2013	Kim	D15/31
D668,695 S *	10/2012	Ringer	D15/31	D707,729 S *	6/2014	Jackson	D15/31
D675,233 S *	1/2013	Kushita	D15/31	D707,730 S *	6/2014	Jackson	D15/31
D675,234 S *	1/2013	Kushita	D15/31	D716,348 S *	10/2014	Ryan	D15/31
D676,466 S *	2/2013	Ewringmann	D15/20	D716,846 S *	11/2014	Carter	D15/31
D682,324 S *	5/2013	Ryan	D15/31	D728,640 S *	5/2015	Turner	D15/31
				D752,117 S *	3/2016	Jackson	D15/31
				D756,422 S *	5/2016	Romer	D15/31
				D757,126 S *	5/2016	Vaninetti	D15/31

* cited by examiner

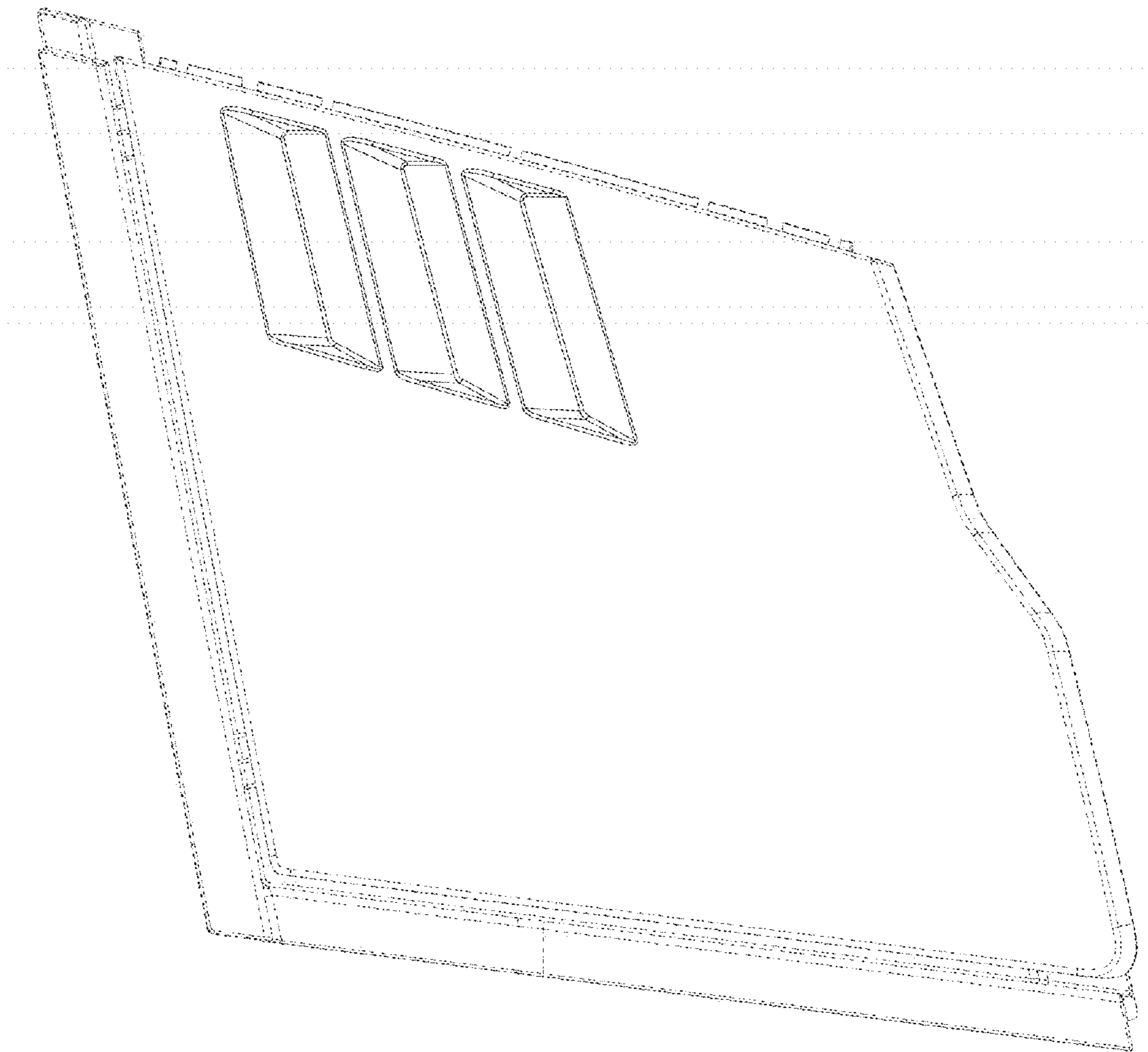


Fig. 1

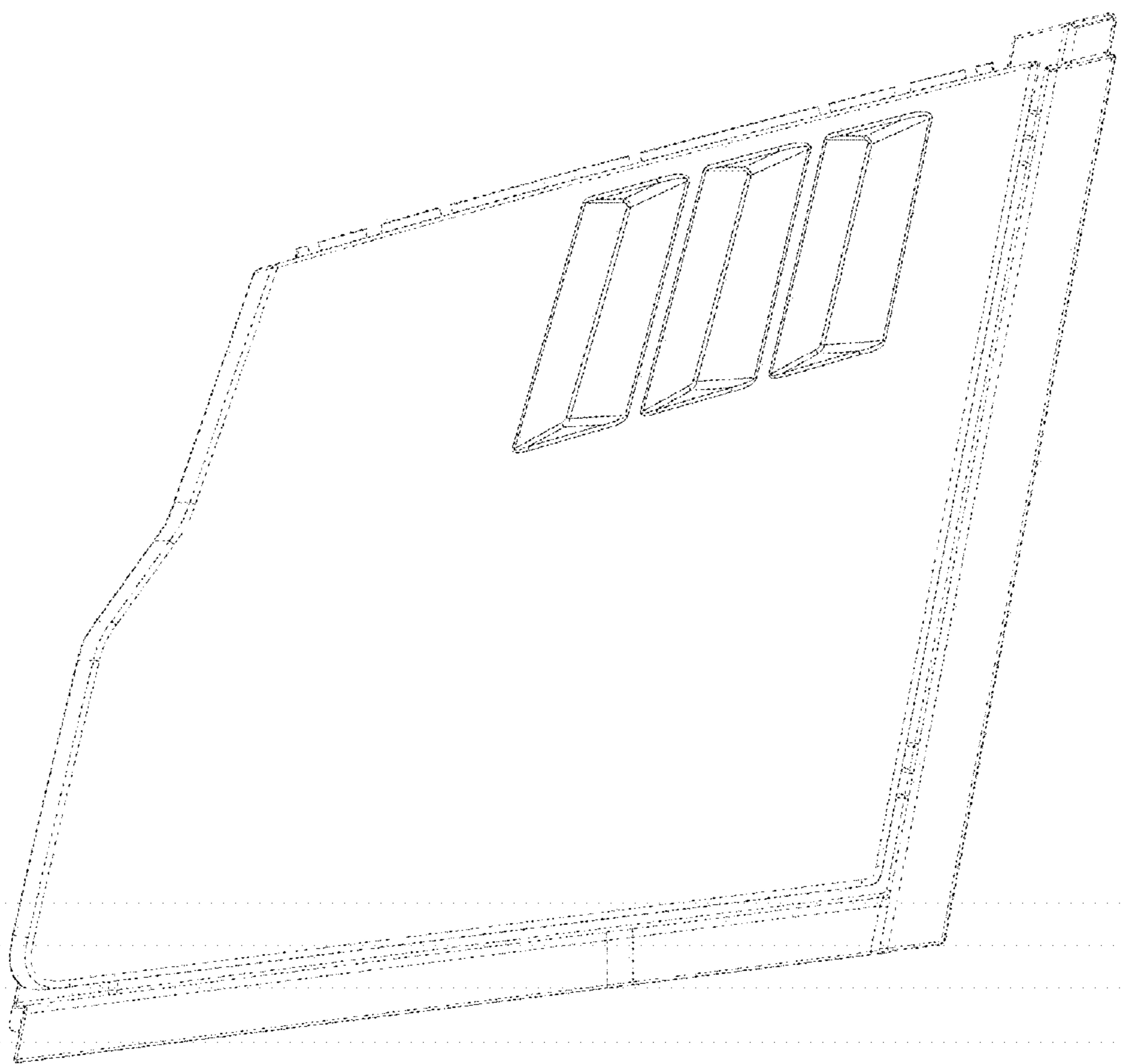


Fig. 2

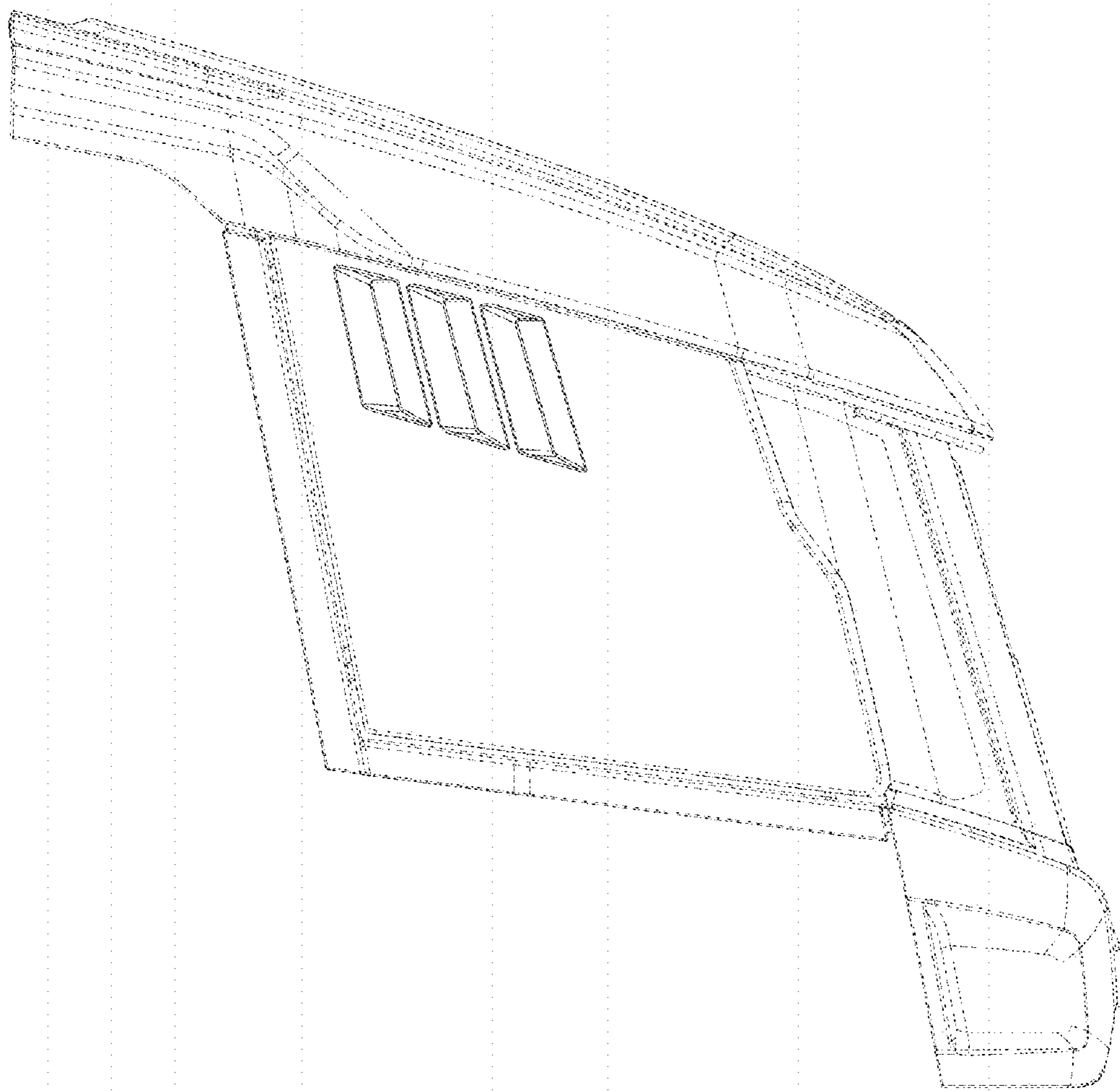


Fig. 3

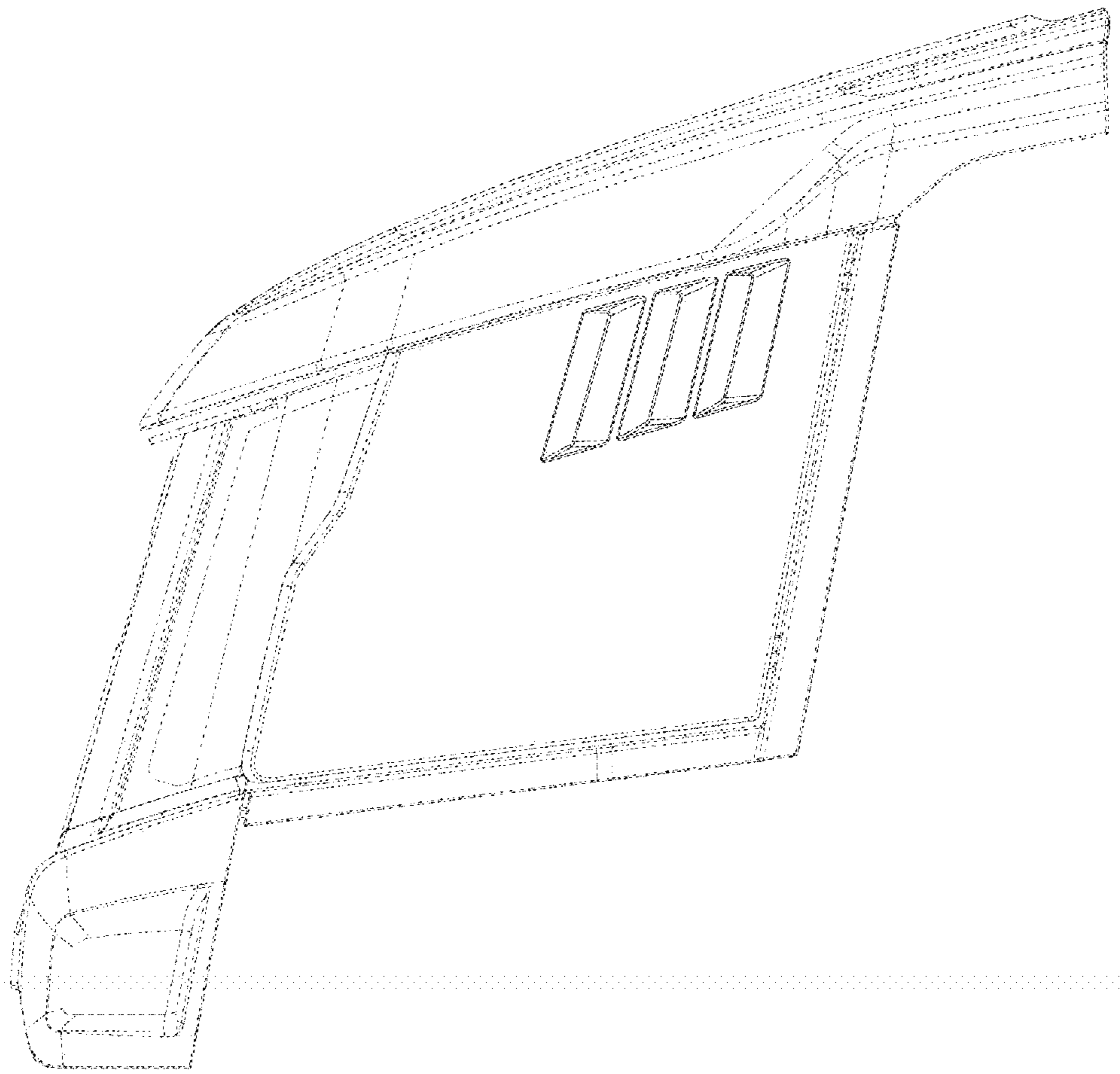


Fig. 4

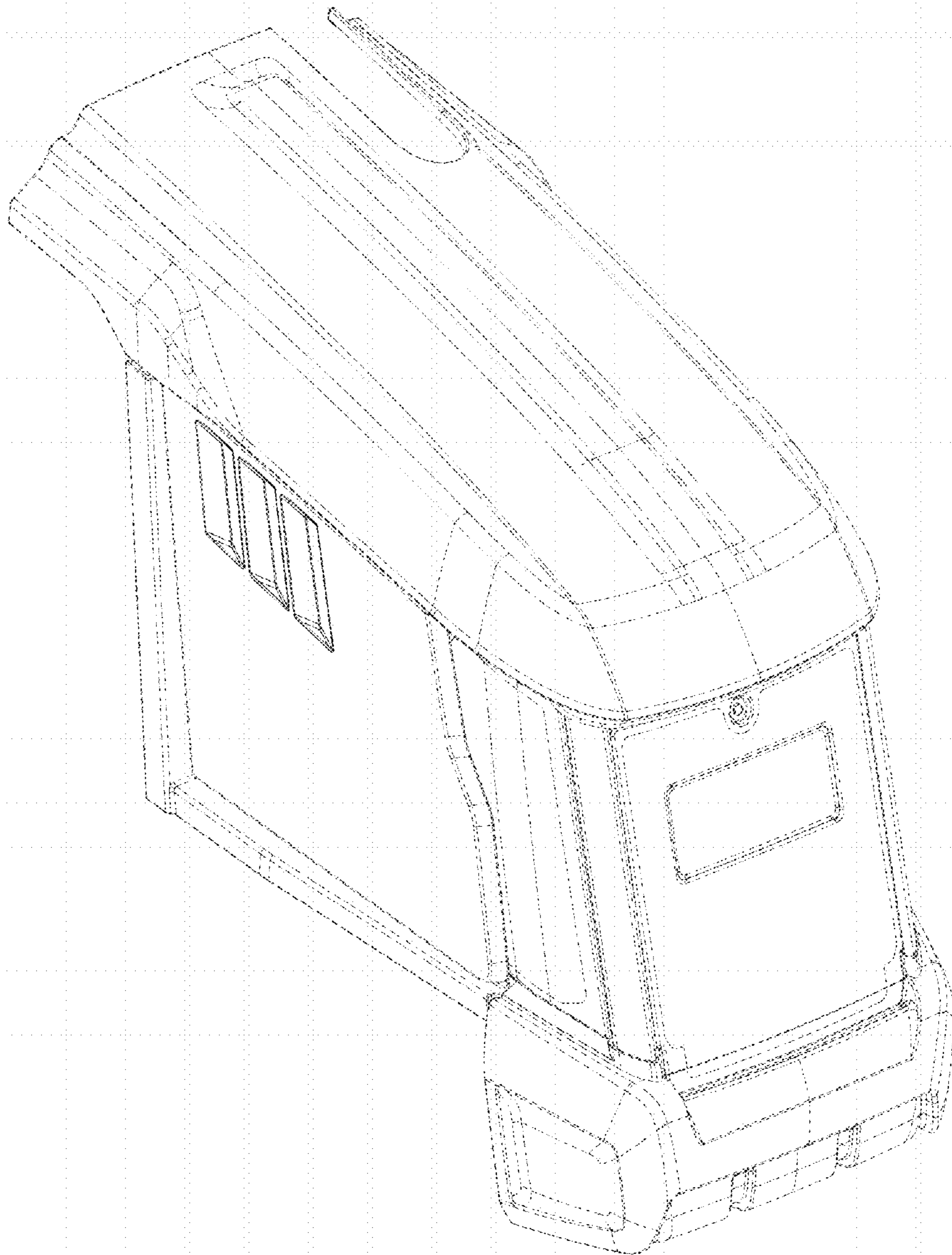


Fig. 5

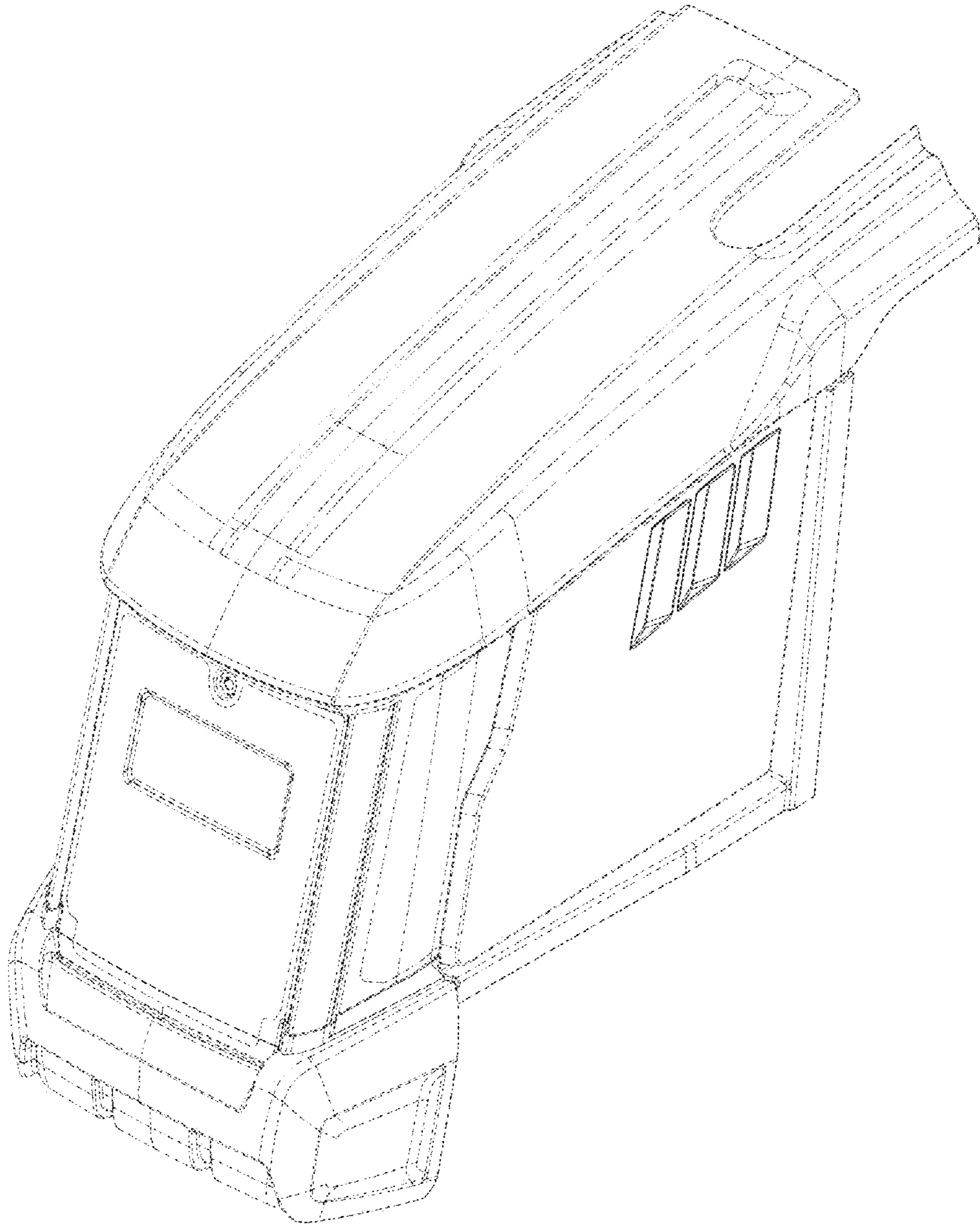


Fig. 6