

US00D767643S

(12) **United States Design Patent**
Söhngen

(10) **Patent No.:** **US D767,643 S**

(45) **Date of Patent:** **** Sep. 27, 2016**

(54) **CONTROL PANEL FOR VEHICLES**
(71) Applicant: **Michael Söhngen**, Neuffen (DE)
(72) Inventor: **Michael Söhngen**, Neuffen (DE)
(73) Assignee: **KAESSBOHRER**
GELAENDEFAHRZEUG AG,
Laupheim (DE)
(**) Term: **15 Years**

D581,861 S *	12/2008	Anttila	D12/421
D581,862 S *	12/2008	Anttila	D12/421
D628,216 S *	11/2010	Ulbrich	D15/28
D689,443 S *	9/2013	Ewringmann	D13/164
D689,529 S *	9/2013	Hagura	D15/28
D701,486 S *	3/2014	Yates	D12/345
D727,246 S *	4/2015	Sachtleben	D12/415
D737,336 S *	8/2015	Ewringmann	D15/28
D742,936 S *	11/2015	Ewringmann	D15/28
D752,116 S *	3/2016	Ewringmann	D15/28
D752,657 S *	3/2016	Ewringmann	D15/28
D752,658 S *	3/2016	Ewringmann	D15/28
2006/0243506 A1 *	11/2006	Dolesh	B65F 3/00 180/89.19

(21) Appl. No.: **29/535,444**

* cited by examiner

(22) Filed: **Aug. 6, 2015**

Primary Examiner — Mark Goodwin

(30) **Foreign Application Priority Data**

(74) *Attorney, Agent, or Firm* — Flynn, Thiel, Boutell & Tanis, P.C.

Feb. 6, 2015 (EM) 002628149-0003

(51) **LOC (10) Cl.** **15-03**

(52) **U.S. Cl.**
USPC **D15/28**

(58) **Field of Classification Search**
USPC D15/28; D13/162, 164, 168; D14/217,
D14/396, 400; D34/34, 35; 318/700, 701;
180/315, 316, 325, 19.1, 19.3, 90;
361/679, 680, 690; 700/90, 160, 17,
700/83; 296/70; 280/43.12, 752
CPC B62D 33/06; B60K 26/00; B60K 37/00
See application file for complete search history.

(57) **CLAIM**

The ornamental design for a control panel for vehicles, as shown and described.

(56) **References Cited**

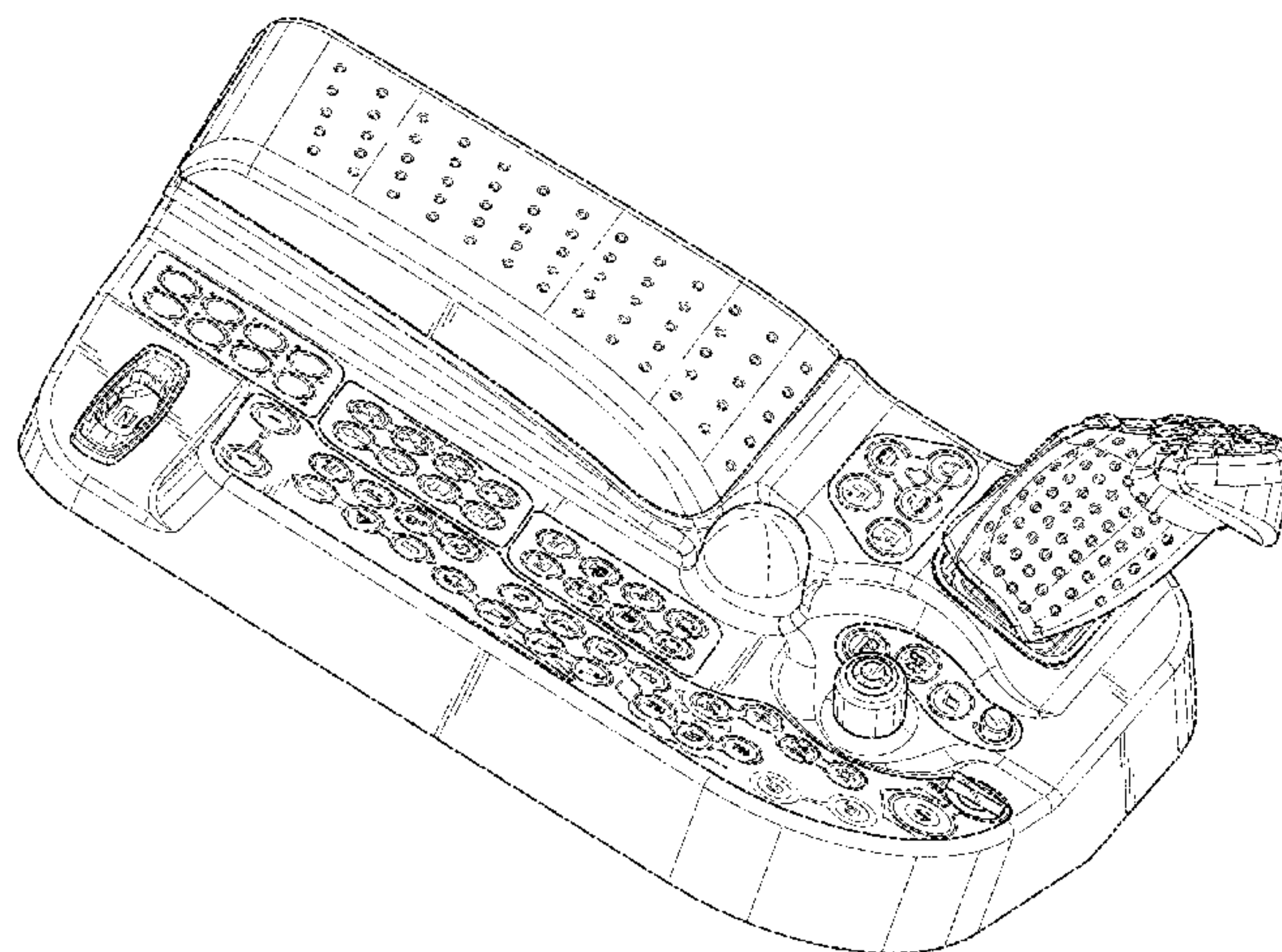
U.S. PATENT DOCUMENTS

D331,932 S *	12/1992	Lenski	D12/179
D419,570 S	1/2000	Blondeel et al.		
D420,685 S *	2/2000	Muranen	D15/30
D491,958 S	6/2004	Holma		
D497,394 S *	10/2004	Svanson	D21/329
D516,096 S	2/2006	Bergman et al.		
D566,132 S *	4/2008	Mack	D15/11

DESCRIPTION

FIG. 1 is a top view of a control panel for vehicles of the present invention;
FIG. 2 is a side perspective view of the control panel for vehicles of the present invention;
FIG. 3 is a front perspective view of the control panel for vehicles of the present invention;
FIG. 4 is a front view of the control panel for vehicles of the present invention;
FIG. 5 is a left side view of the control panel for vehicles of the present invention; and,
FIG. 6 is a right side view of the control panel for vehicles of the present invention.
The bottom view not being visible during ordinary use is not depicted and forms no part of the claimed invention.

1 Claim, 6 Drawing Sheets



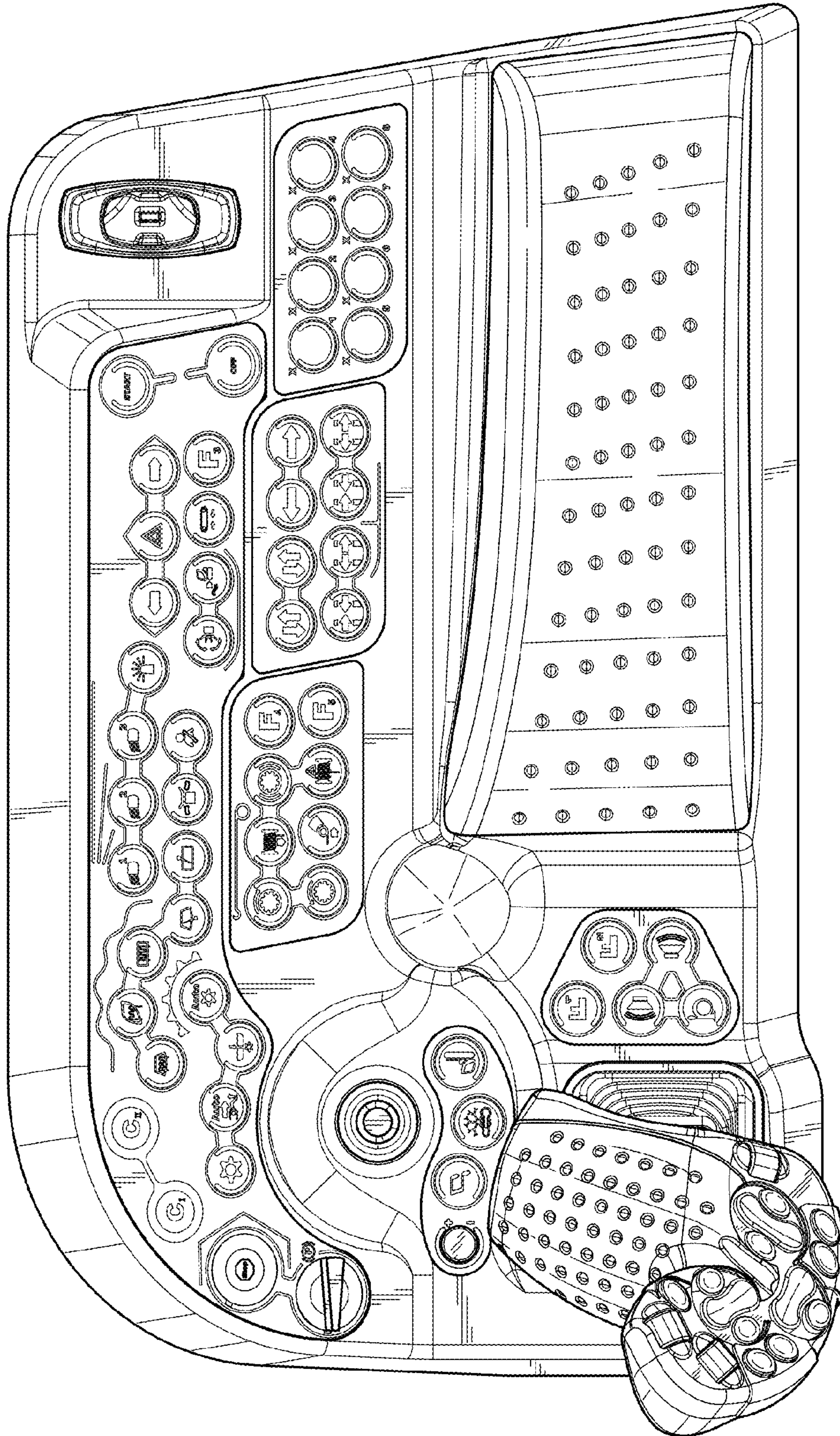


FIG. 1

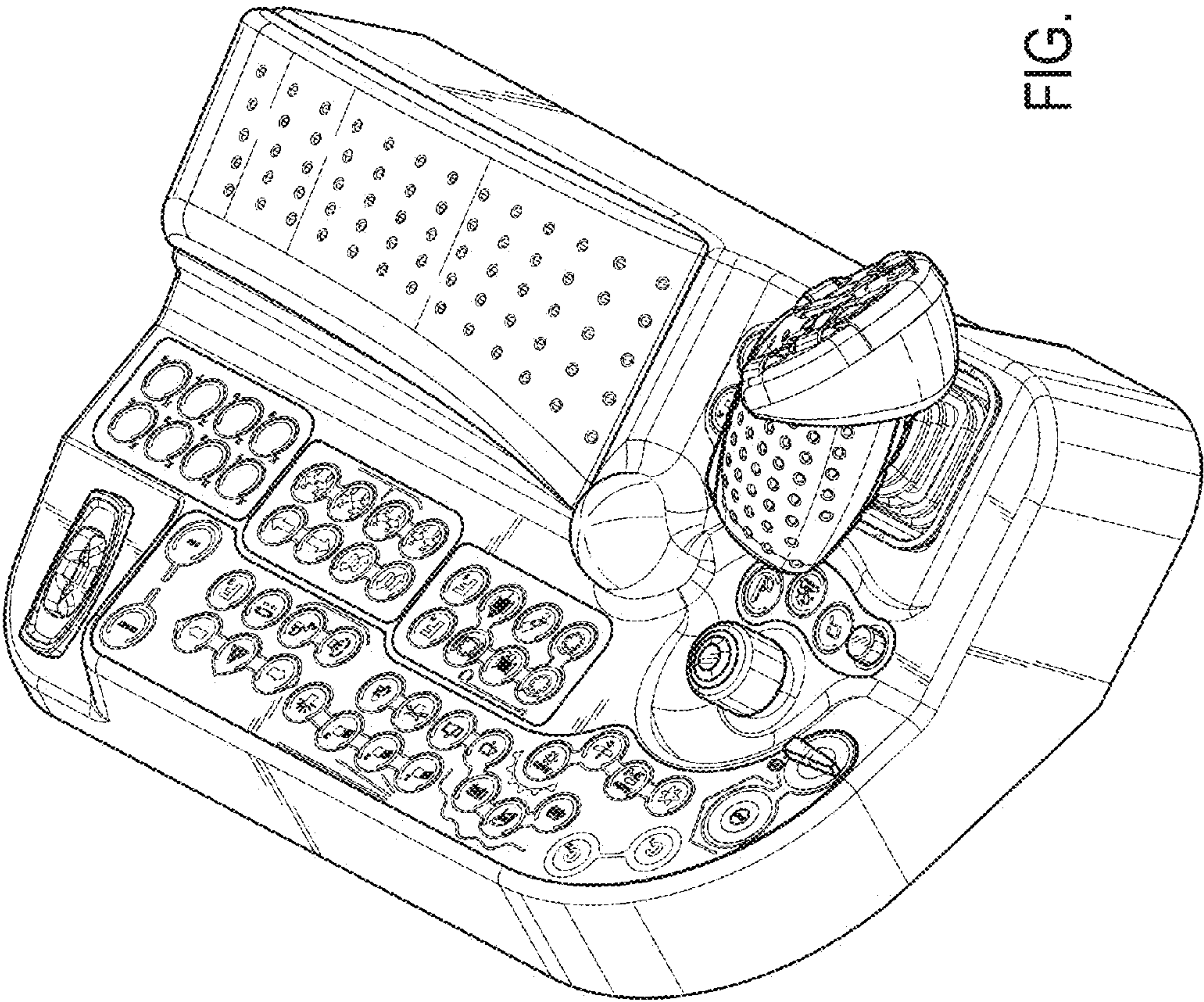


FIG. 2

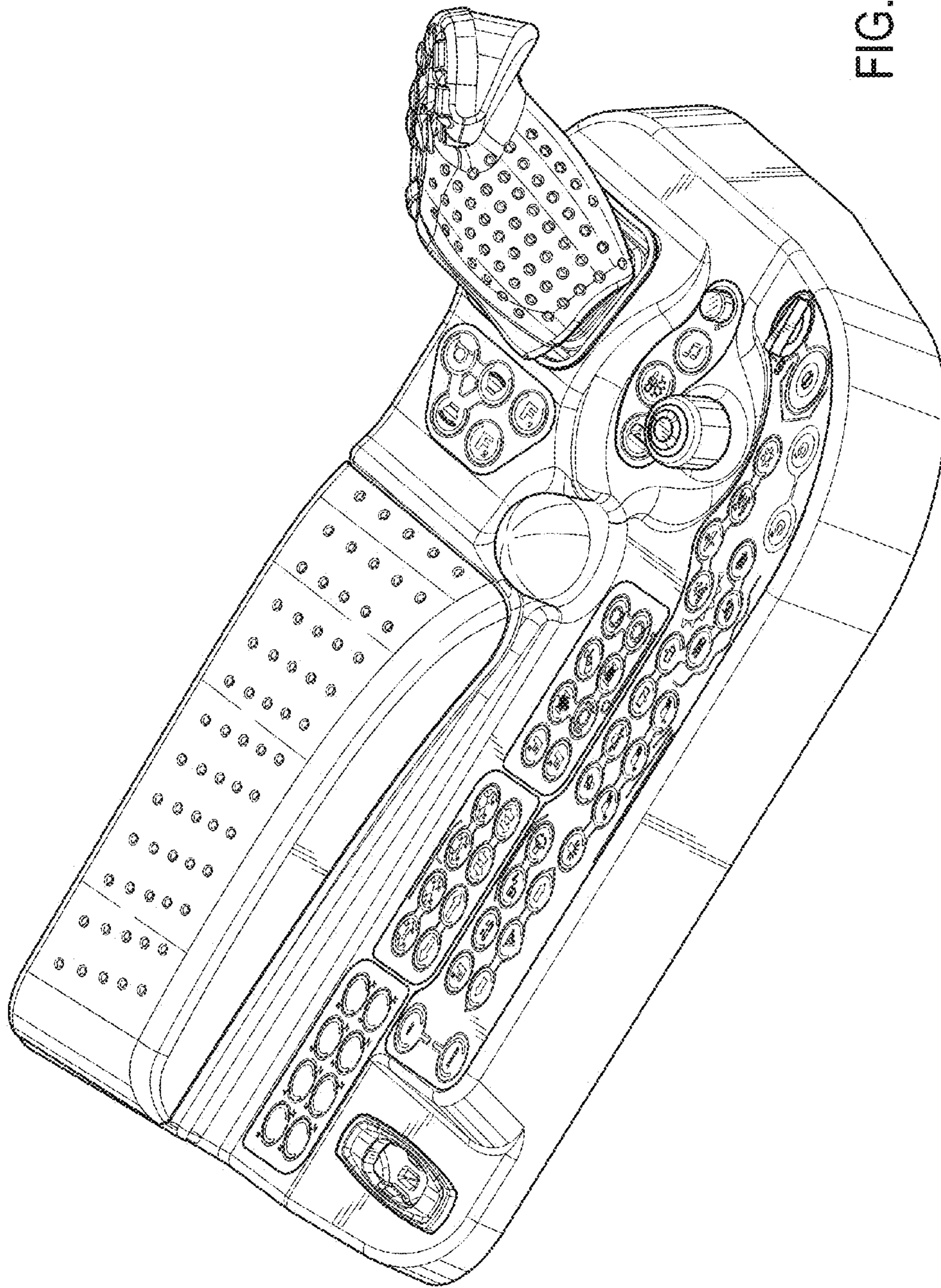


FIG. 3

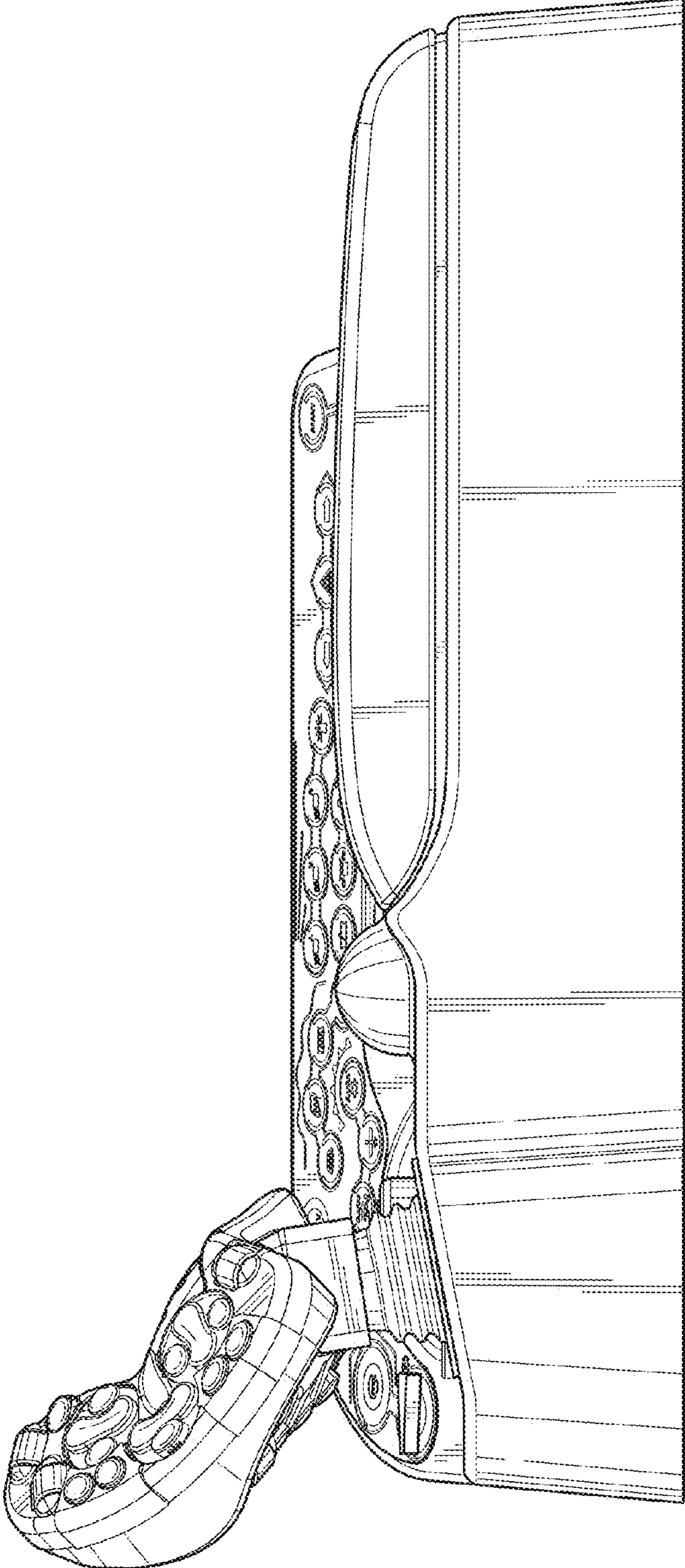


FIG. 4

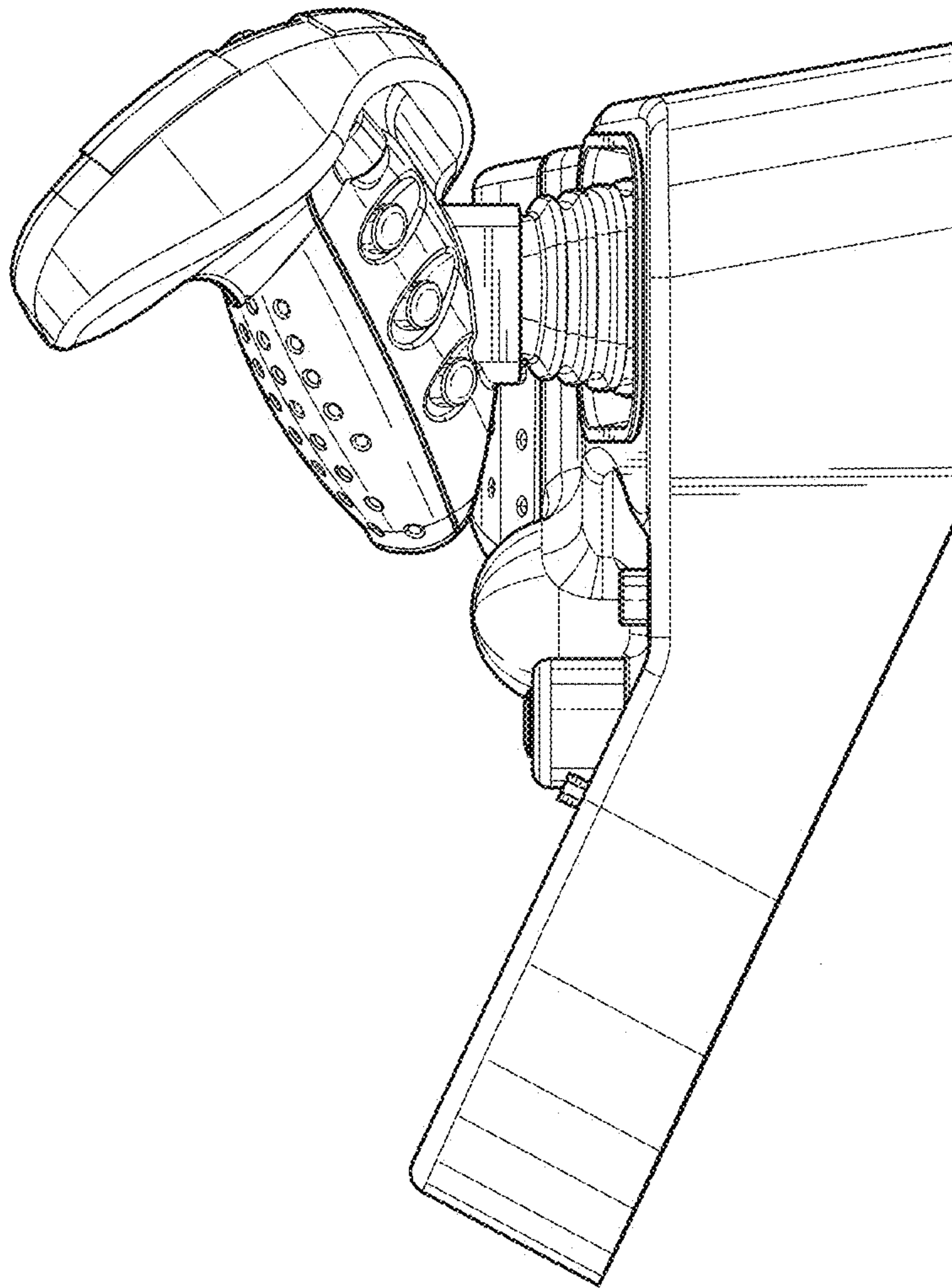


FIG. 5

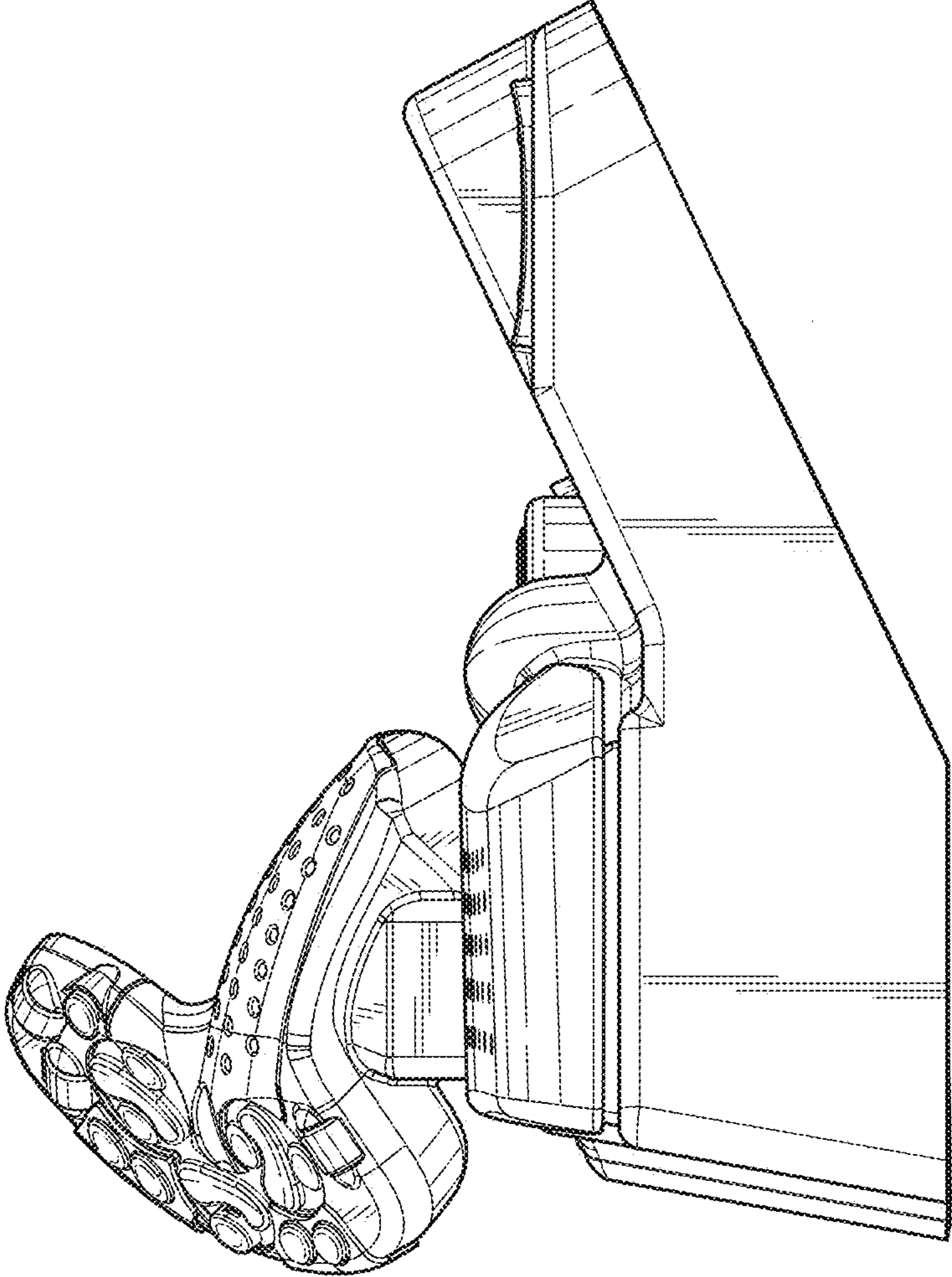


FIG. 6