

US00D767641S

(12) **United States Design Patent** (10) **Patent No.:** **US D767,641 S**
Knobloch et al. (45) **Date of Patent:** **** Sep. 27, 2016**

(54) **TRACK LINK ASSEMBLY**

(71) Applicant: **Caterpillar Inc.**, Peoria, IL (US)

(72) Inventors: **Daniel Knobloch**, Peoria, IL (US);
Mark Diekevers, Peoria, IL (US);
Timothy Thorson, Peoria, IL (US);
Caroline Brewer, Peoria, IL (US);
Gregory Kaufmann, Metamora, IL (US);
Kevin Steiner, Peoria, IL (US);
Temitope Akinlua, Peoria, IL (US);
Martin Tagore Joseph Xavier, Chennai (IN)

3,937,530 A 2/1976 Sturges
3,947,074 A 3/1976 Nelson
3,955,855 A 5/1976 Massieon et al.
4,003,608 A 1/1977 Carter
4,036,538 A 7/1977 Haslett et al.
4,081,202 A 3/1978 Kozuki

(Continued)

FOREIGN PATENT DOCUMENTS

AU 139354 12/1999
AU 140881 6/2000

(Continued)

OTHER PUBLICATIONS

U.S. Appl. No. 29/426,091 titled "Undercarriage Track Link for Mobile Earthmoving Machine" filed Jun. 29, 2012. (unpublished).

(Continued)

(73) Assignee: **Caterpillar Inc.**, Peoria, IL (US)

(**) Term: **14 Years**

(21) Appl. No.: **29/522,680**

(22) Filed: **Apr. 1, 2015**

(51) **LOC (10) Cl.** **15-03**

(52) **U.S. Cl.**
USPC **D15/28**

(58) **Field of Classification Search**
USPC D15/10, 22-26, 28; 305/185-187, 199,
305/201, 200, 204, 198, 190, 193, 194, 195,
305/196; 59/80, 78, 82, 35.1
CPC B62D 55/211; B62D 55/213; B62D
55/2128; B62D 55/205; B62D 55/26; B62D
55/32; F16G 13/00; F16G 13/02; F16G
13/06; F16G 13/07; F16G 13/08
See application file for complete search history.

(56) **References Cited**

U.S. PATENT DOCUMENTS

800,575 A * 9/1905 Hickey F16G 13/06
245/4
2,566,678 A * 9/1951 Riegel C21D 9/0087
266/125
3,035,872 A 5/1962 Rich
3,372,959 A 3/1968 Watts, Jr.

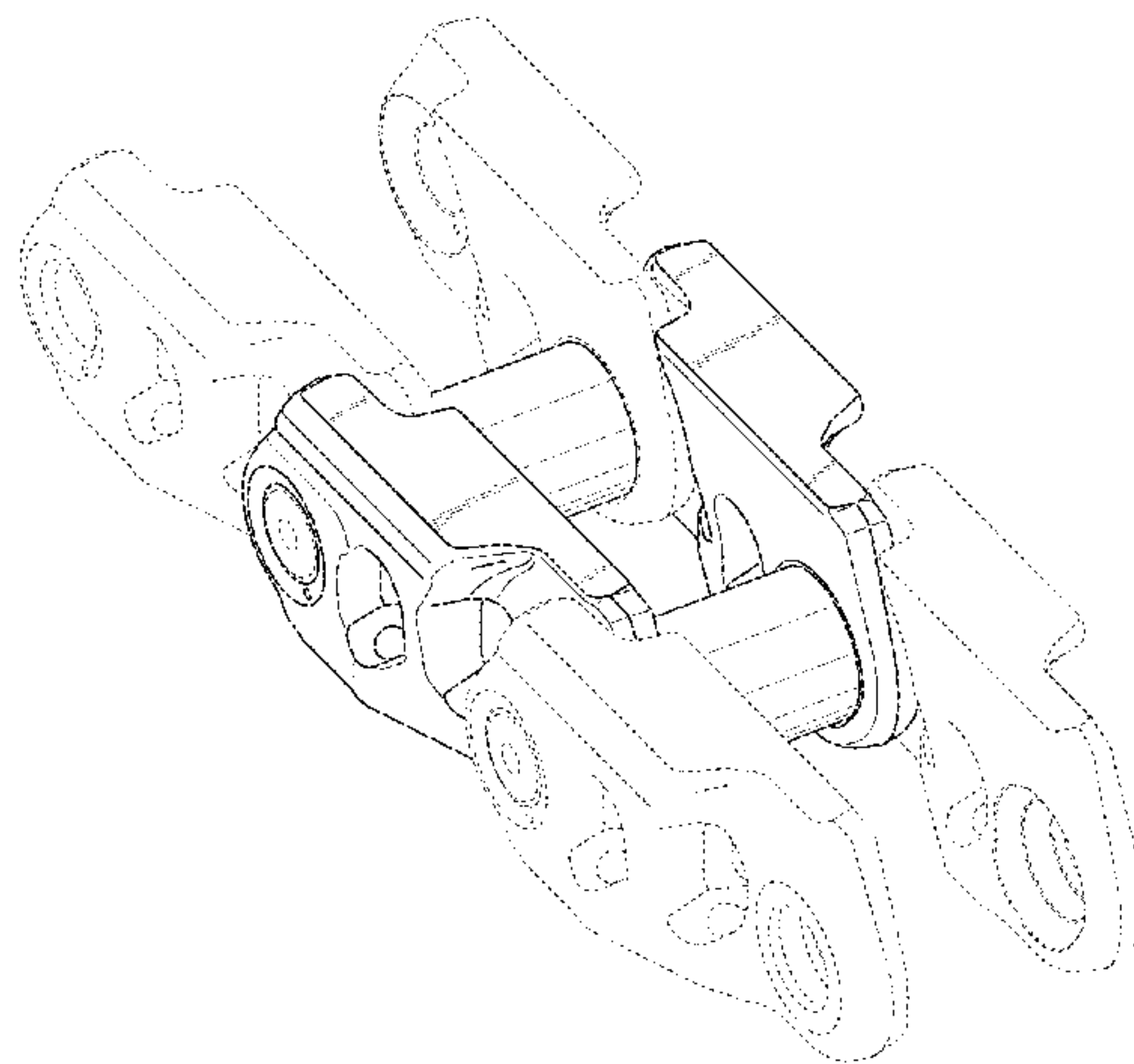
Primary Examiner — Mark Goodwin
(74) *Attorney, Agent, or Firm* — Saidman DesignLaw Group, LLC

(57) **CLAIM**
the ornamental design for a track link assembly, as shown and described.

DESCRIPTION

FIG. 1 is a perspective view of a track link assembly showing our new design;
FIG. 2 is a right side view thereof;
FIG. 3 is a left side view thereof;
FIG. 4 is a front view thereof;
FIG. 5 is a rear view thereof;
FIG. 6 is a top view thereof; and,
FIG. 7 is a bottom view thereof.
The uniform dashed broken lines illustrate structure or features that form no part of the claimed design.
The relatively thin shade lines represent contour, not surface ornamentation.

1 Claim, 6 Drawing Sheets



(56)

References Cited

U.S. PATENT DOCUMENTS

4,082,372 A 4/1978 Kozuki
 4,098,543 A 7/1978 Sturges
 4,099,795 A 7/1978 Roley
 RE29,723 E 8/1978 Haslett et al.
 4,105,260 A 8/1978 Blunier et al.
 4,116,497 A 9/1978 Schimpf et al.
 4,123,120 A 10/1978 Kohriyama
 4,128,277 A 12/1978 Meisel, Jr.
 4,129,045 A 12/1978 Kishitani
 4,141,601 A 2/1979 Stedman
 4,149,758 A * 4/1979 Livesay B62D 55/0887
 305/100
 4,176,887 A 12/1979 Alpers et al.
 4,265,084 A 5/1981 Livesay
 4,306,753 A 12/1981 Livesay et al.
 4,423,910 A 1/1984 Narang
 4,444,441 A 4/1984 Parker
 4,449,357 A 5/1984 Balitch
 4,459,124 A 7/1984 Newton
 4,530,546 A 7/1985 Meisel, Jr.
 4,553,791 A 11/1985 Blair
 4,602,825 A 7/1986 Meisel, Jr.
 4,636,014 A 1/1987 Dennison et al.
 4,763,961 A 8/1988 Parrott
 4,880,283 A 11/1989 Savage et al.
 4,890,892 A 1/1990 Haslett
 5,172,965 A 12/1992 Taft
 5,183,318 A 2/1993 Taft et al.
 5,201,171 A 4/1993 Anderton et al.
 D338,020 S 8/1993 Taft
 5,482,364 A 1/1996 Edwards et al.
 5,692,985 A 12/1997 Hirata et al.
 5,704,697 A * 1/1998 Ketting B62D 55/12
 305/193
 5,759,309 A 6/1998 Watts et al.
 5,887,958 A 3/1999 Bissi et al.
 5,927,665 A 7/1999 Grabnic
 6,109,706 A 8/2000 Oertley
 6,120,405 A 9/2000 Oertley et al.
 6,142,588 A * 11/2000 Ketting B62D 55/211
 305/100
 D435,565 S 12/2000 Barani
 RE37,254 E 7/2001 Ketting et al.
 6,322,173 B1 11/2001 Maguire et al.
 6,354,679 B1 * 3/2002 Maguire B62D 55/0887
 305/198
 6,364,438 B1 4/2002 Hasselbusch et al.
 6,386,651 B1 * 5/2002 Gerardin B62D 55/205
 305/100
 6,416,142 B1 7/2002 Oertley
 6,422,667 B2 7/2002 Miyaura
 6,431,665 B1 8/2002 Banerjee et al.
 6,474,754 B1 11/2002 Hasselbusch
 6,565,161 B2 5/2003 Anderton
 6,783,196 B2 8/2004 Maguire et al.
 6,951,096 B2 10/2005 Maguire et al.
 7,007,360 B2 3/2006 Huenefeld et al.
 7,040,080 B2 5/2006 Okawa et al.
 7,100,353 B1 9/2006 Maguire
 7,345,255 B2 3/2008 Jiang et al.
 7,614,709 B2 11/2009 Oertley
 7,661,774 B2 2/2010 Yamamoto et al.
 7,776,451 B2 8/2010 Jiang et al.
 7,806,209 B2 10/2010 Standish et al.
 7,877,977 B2 2/2011 Johannsen et al.
 7,896,766 B2 3/2011 Mitzschke et al.
 8,070,241 B2 * 12/2011 Mulligan B62D 55/092
 305/195

8,075,069 B2 12/2011 Pech et al.
 8,172,342 B2 5/2012 Diekevers et al.
 D665,826 S 8/2012 Clarke et al.
 8,336,970 B2 * 12/2012 Johannsen B62D 55/21
 305/198
 D719,588 S 12/2014 Meyer et al.
 D751,609 S * 3/2016 Meyer D15/28
 2003/0090151 A1 5/2003 Takeno et al.
 2003/0122425 A1 7/2003 Banerjee
 2005/0040708 A1 2/2005 Yamamoto et al.
 2006/0017323 A1 1/2006 Wodrich et al.
 2008/0217994 A1 9/2008 McRae et al.
 2009/0026836 A1 1/2009 Maeda
 2009/0102281 A1 4/2009 Diekevers et al.
 2010/0007206 A1 1/2010 Wodrich
 2010/0133898 A1 6/2010 Johannsen et al.
 2010/0139993 A1 6/2010 Sebright et al.
 2010/0141005 A1 6/2010 Mackert
 2010/0141027 A1 6/2010 Fischer et al.
 2014/0001822 A1 1/2014 Thorson et al.
 2014/0001827 A1 1/2014 Kaufmann et al.
 2014/0001828 A1 1/2014 Meyer et al.
 2014/0001830 A1 1/2014 Meyer et al.
 2014/0001831 A1 1/2014 Thorson et al.
 2014/0070603 A1 3/2014 Wodrich et al.

FOREIGN PATENT DOCUMENTS

AU 143748 5/2001
 AU 149531 10/2002
 AU 304403 11/2005
 AU 310269 9/2006
 AU 324833 2/2009
 CL 145-1939 7/1939
 CL 75-1943 3/1943
 CL 92-1990 5/1990
 CL 1488-2002 9/2002
 CL 2980-2001 8/2003
 EM 000302823-0001 2/2005
 EM 000450028-0003 12/2005
 EM 000450028-0006 12/2005
 EM 000472956-0001 1/2006
 EM 000528807-0001 5/2006
 EM 000528807-0002 5/2006
 EM 000528807-0003 5/2006
 GB 2087930 11/1999
 WO 2012/116674 A1 9/2012

OTHER PUBLICATIONS

Caterpillar, "Cat® Tri- and Quad-Link Tracks," © 2010.
 U.S. Appl. No. 13/627,063, filed Sep. 26, 2012, titled "Ground-Engaging Track System, Link For a Track Chain, and Method." (unpublished).
 U.S. Appl. No. 14/461,328, filed Aug. 15, 2014, titled "Joint Bushings for Track Joint Assemblies." (unpublished).
 U.S. Appl. No. 14/461,321, filed Aug. 15, 2014, titled "Track Joint Assemblies." (unpublished).
 U.S. Appl. No. 14/461,304, filed Aug. 15, 2014, titled "Track Joint Assemblies." (unpublished).
 U.S. Appl. No. 14/461,249, filed Aug. 15, 2014, titled "Track Joint Assemblies." (unpublished).
 U.S. Appl. No. 14/461,289, filed Aug. 15, 2014, titled "Track Joint Assemblies." (unpublished).
 U.S. Appl. No. 14/461,269, filed Aug. 15, 2014. (unpublished).
 U.S. Appl. No. 29/522,677 titled "Track Link" filed Apr. 1, 2015. (unpublished).
 U.S. Appl. No. 29/536,151 titled "Rail Guide" filed Aug. 13, 2015. (unpublished).

* cited by examiner

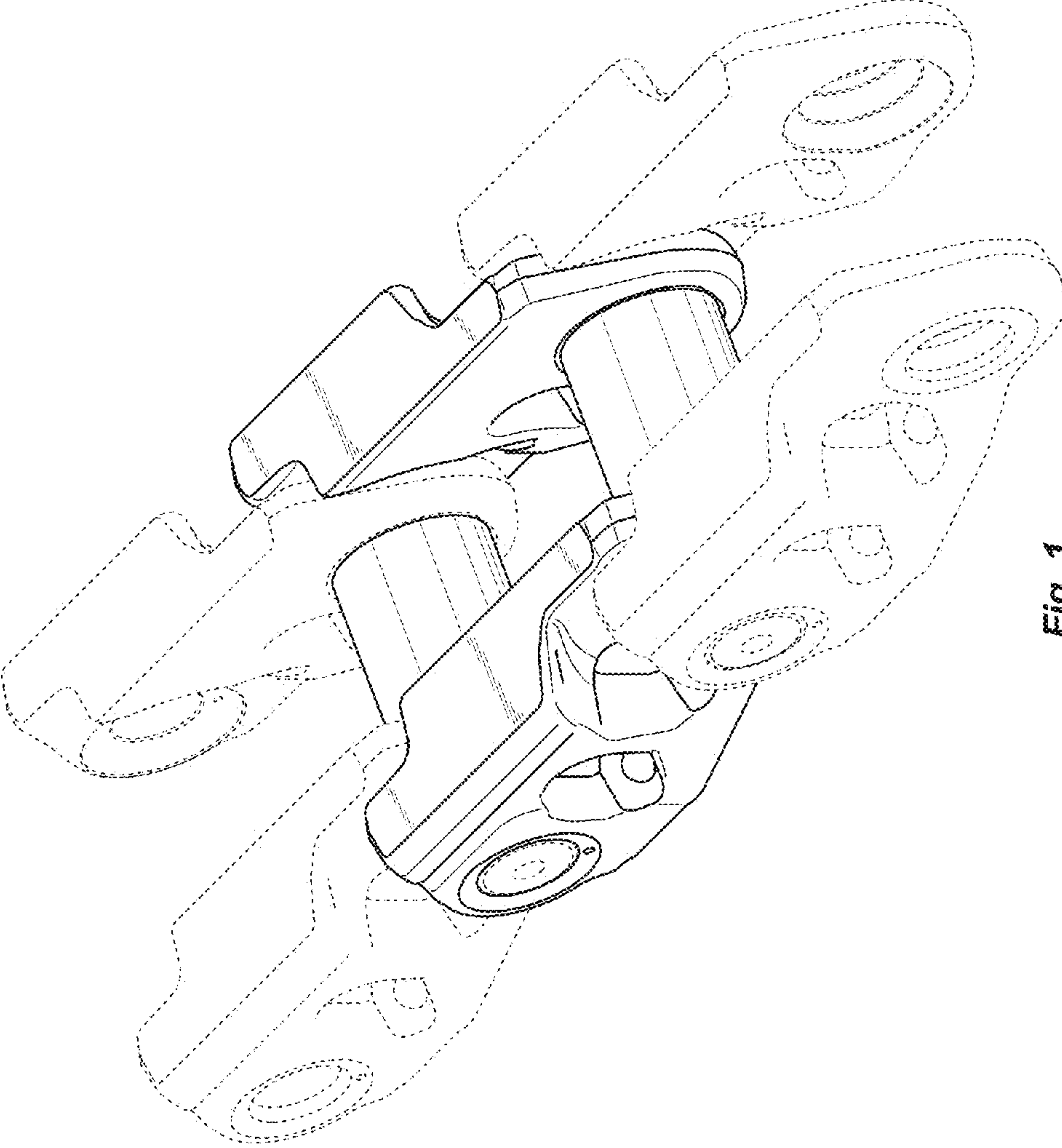


Fig. 1

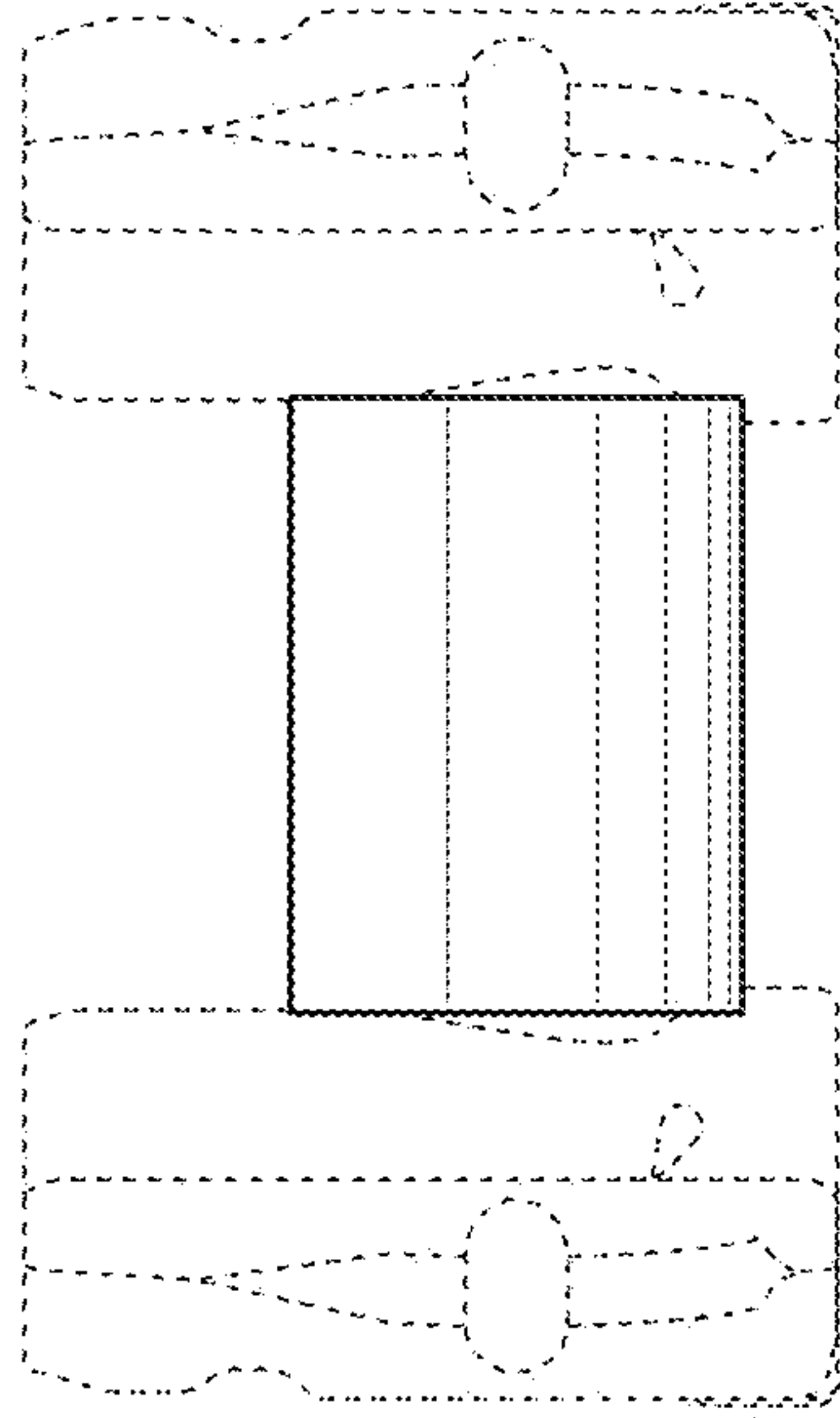


Fig. 3

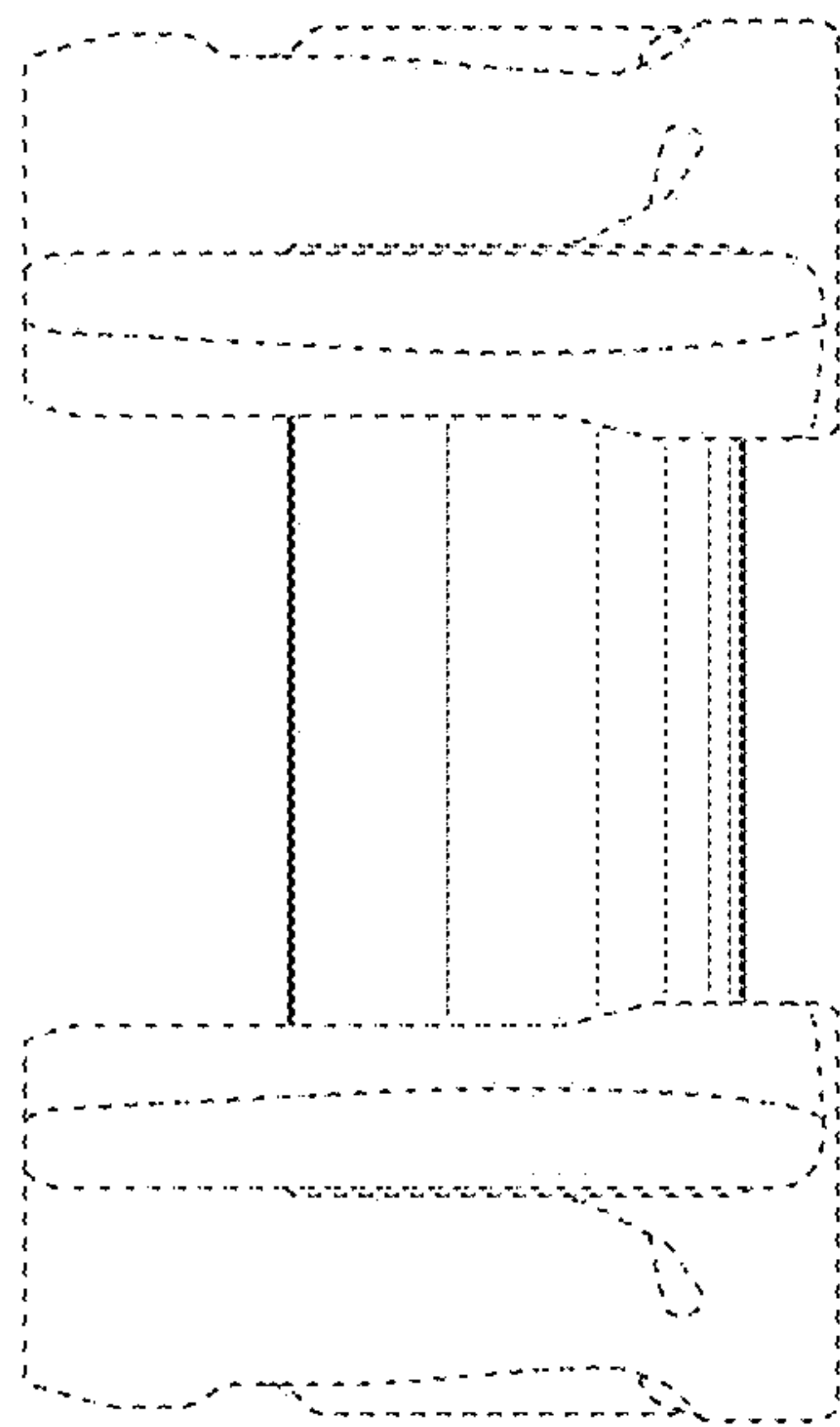


Fig. 2

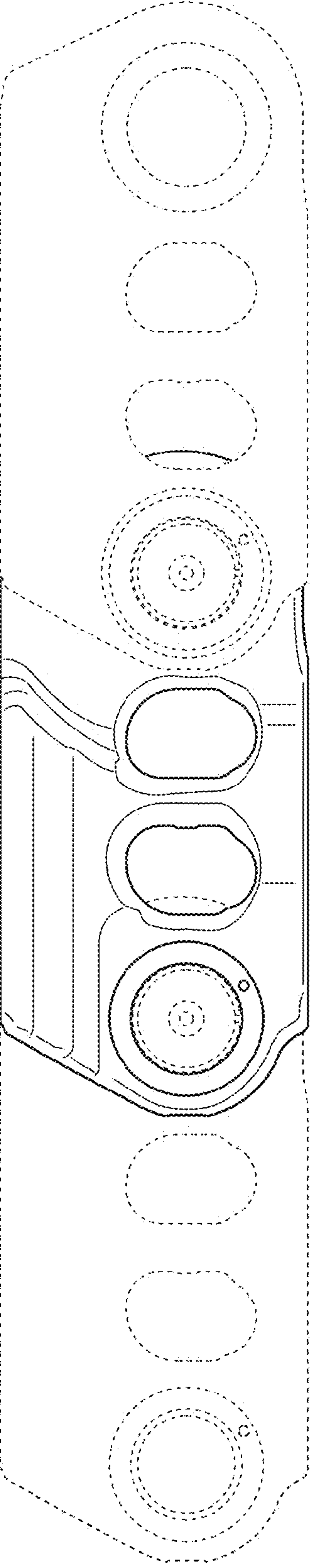


Fig. 4

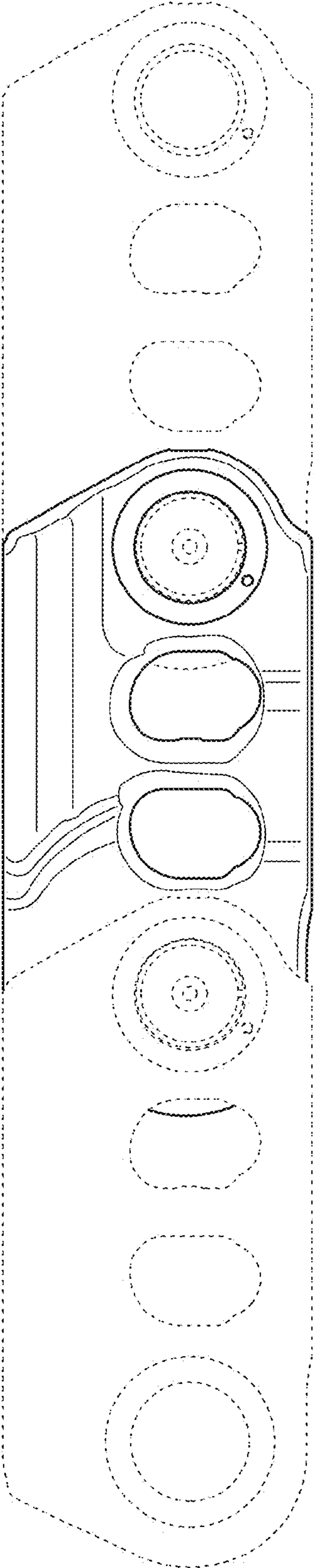


Fig. 5

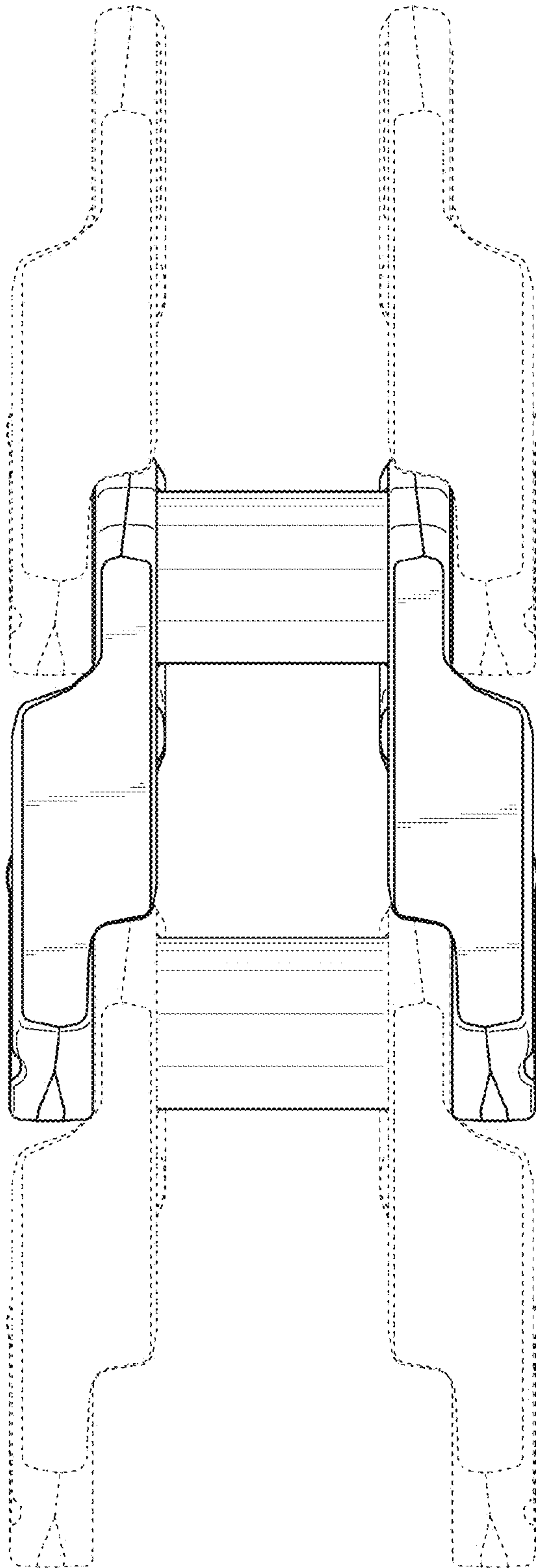


Fig. 6

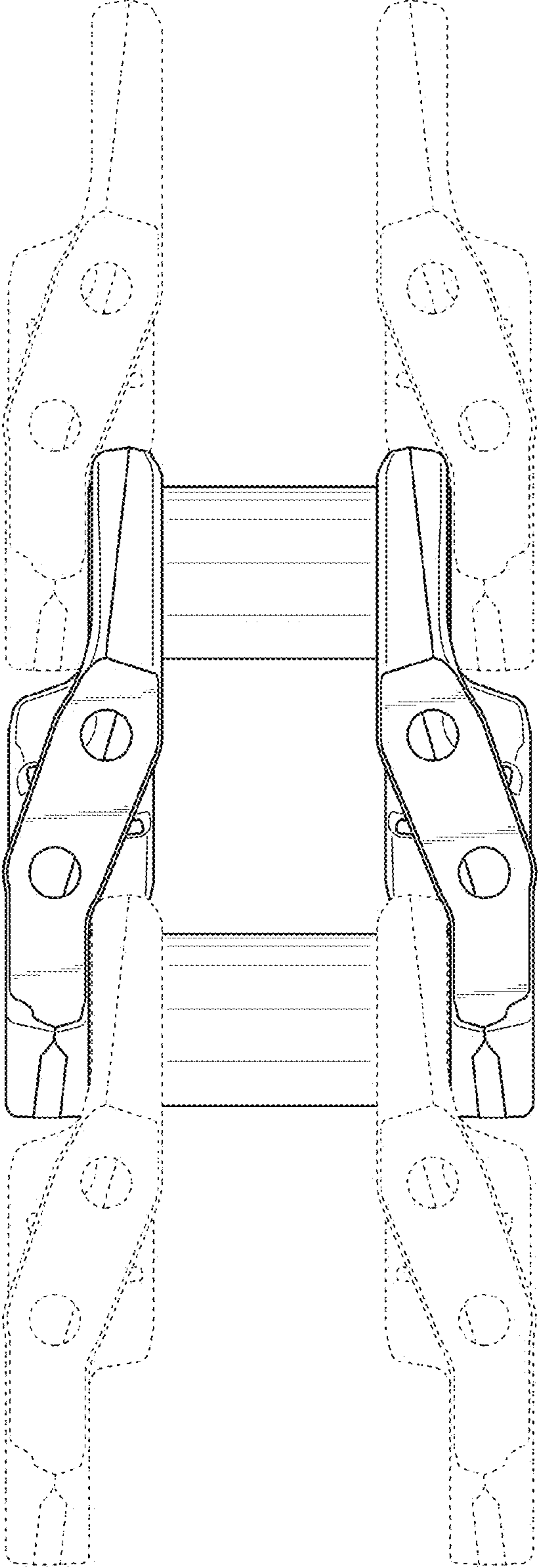


Fig. 7