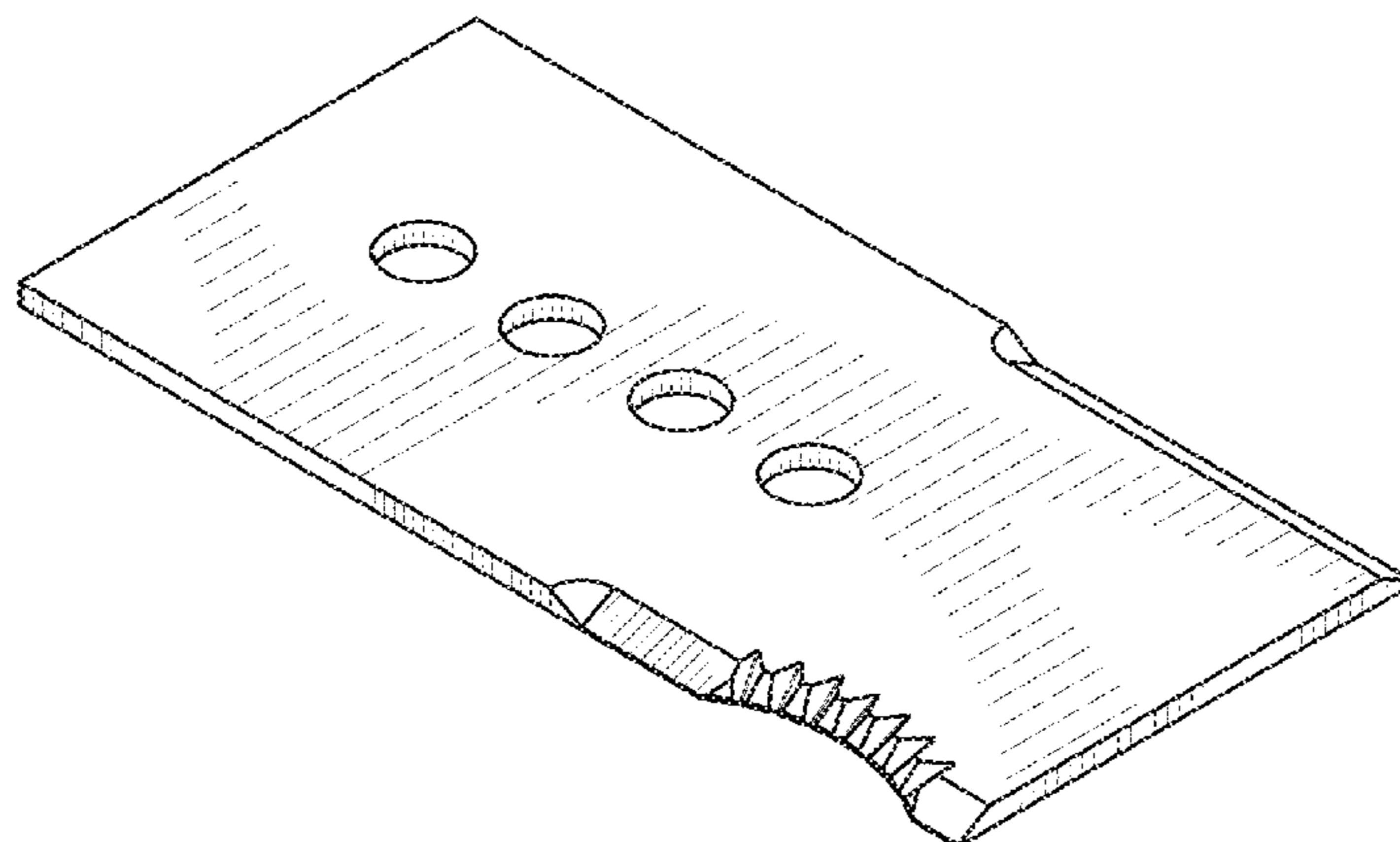




US00D767639S

(12) **United States Design Patent** (10) **Patent No.:** **US D767,639 S**
Johnson et al. (45) **Date of Patent:** **** Sep. 27, 2016**

- (54) **SUGAR CANE HARVESTER BASE CUTTER KNIFE** 3,320,733 A * 5/1967 Kirk A01D 34/63 56/295
 3,447,291 A 6/1969 Guetterman
 3,452,524 A 7/1969 Guetterman
 (71) Applicants: **Keith A. Johnson**, Kewaskum, WI 3,482,380 A 12/1969 Stair
 (US); **Neal J. Stoffel**, Campbellsport, WI (US) 3,715,874 A 2/1973 Goserud
 3,949,541 A 4/1976 Henry
 3,998,037 A 12/1976 Deans et al.
 4,062,171 A * 12/1977 Rose A01D 34/736 56/295
 (72) Inventors: **Keith A. Johnson**, Kewaskum, WI D248,474 S * 7/1978 Oosterling D15/29
 (US); **Neal J. Stoffel**, Campbellsport, WI (US) 4,532,708 A 8/1985 Mensing
 4,765,127 A 8/1988 Hamblen
 4,779,407 A 10/1988 Pattee
 (73) Assignee: **Kondex Corporation**, Lomira, WI (US) 4,815,264 A 3/1989 Mijnders
 4,995,228 A 2/1991 Hladik, Jr.
 (**) Term: **14 Years** 5,094,065 A 3/1992 Azbell
 5,327,710 A 7/1994 Plamper et al.
 (21) Appl. No.: **29/523,375** D350,547 S * 9/1994 Felstehausen D15/28
 5,343,681 A * 9/1994 de Jong A01D 34/736 56/255
 (22) Filed: **Apr. 9, 2015** 5,452,569 A 9/1995 Anderson
 (51) **LOC (10) Cl.** **15-03** 5,561,972 A 10/1996 Rolfe
 (52) **U.S. Cl.** 5,622,035 A * 4/1997 Kondo A01D 34/733 30/276
 USPC **D15/17** 5,711,141 A 1/1998 Pitman et al.
 (58) **Field of Classification Search** 5,722,172 A * 3/1998 Walden A01D 34/736 30/276
 USPC D15/14-18, 32; D8/20; 30/347, 276, 30/390; 56/295, 255, 289, 13.4, 17.5, 56/DIG. 19, DIG. 20
 CPC A01D 34/005; A01D 34/73; A01D 34/13; A01D 34/40; A01D 34/10; A01D 34/733; A01D 34/52; A01D 34/42; A01D 34/00; A01D 34/826; A01D 34/664; A01D 34/736; A01D 34/66; A01D 2101/00; Y10S 56/20; Y10S 56/17
 See application file for complete search history.
 (56) **References Cited**
 U.S. PATENT DOCUMENTS
 693,287 A 2/1902 Von Loeper et al.
 1,407,417 A 2/1922 Huelves
 2,654,986 A * 10/1953 Gold A01D 34/736 241/194
 2,850,862 A 9/1958 Asbury
 2,869,311 A 1/1959 Beeston, Jr.
 3,022,621 A 8/1959 Zavarella
 3,214,896 A 11/1965 Watkins et al.
 6,427,341 B1 8/2002 Lee
 D462,702 S * 9/2002 Neuerburg D15/28
 6,487,840 B1 12/2002 Turner et al.
 6,490,850 B1 12/2002 Seegert et al.
 6,640,449 B1 11/2003 Hoffmann et al.
 6,829,878 B1 12/2004 Hoffman
 6,829,879 B2 * 12/2004 Weichholdt A01F 12/40 460/112
 6,953,398 B1 * 10/2005 Turner A01D 34/535 460/112
 7,104,883 B2 9/2006 Dow
 7,299,612 B2 11/2007 Schuyler



7,555,889	B2 *	7/2009	Priesnitz	B02C 18/18 56/504
D598,475	S	8/2009	Roth	
D633,110	S *	2/2011	Neuerburg	D15/17
8,298,058	B2 *	10/2012	Lauer	A01F 12/40 460/112
8,857,137	B2	10/2014	Avnery	
2001/0004826	A1	6/2001	Neuerburg	
2002/0066263	A1 *	6/2002	Megli	A01D 34/736 56/295
2002/0194829	A1 *	12/2002	Petersen	A01D 34/733 56/255
2003/0101706	A1	6/2003	Kenny	
2003/0196332	A1	10/2003	Harris et al.	
2005/0016630	A1 *	1/2005	Priesnitz	B02C 18/18 144/241
2005/0050738	A1	3/2005	Harris et al.	
2006/0021316	A1	2/2006	Harkcom	
2006/0048492	A1 *	3/2006	Harris	A01D 34/736 56/255
2006/0213170	A1	9/2006	Barnett	
2007/0277492	A1	12/2007	Ekis et al.	
2009/0223193	A1 *	9/2009	Funnell	A01D 34/73 56/17.5
2010/0101201	A1 *	4/2010	Yanke	A01D 34/733 56/295
2011/0173940	A1	7/2011	Priepke	
2013/0128043	A1	5/2013	Avnery	

FOREIGN PATENT DOCUMENTS

DE	38 26 984	A1	3/1989
FR	2 686 030	A1	7/1993
GB	1 477 286	A	6/1977
GB	2 061 687	A	5/1981
GB	2 369 765	A	6/2002
WO	WO 2009/153655	A2	12/2009

OTHER PUBLICATIONS

U.S. Appl. No. 29/522,879, Johnson et al., filed Apr. 3, 2015.
 U.S. Appl. No. 29/523,361, Johnson et al., filed Apr. 9, 2015.
 International Standard, ISO 5718, Harvesting Equipment—Blades
 for Agricultural Rotary Mowers—Requirements; Jul. 15, 2002; 10
 pages; First Edition.

* cited by examiner

Primary Examiner — Mark Goodwin
 (74) *Attorney, Agent, or Firm* — Reinhart Boerner Van
 Deuren P.C.

(57) **CLAIM**

We claim the ornamental design for the sugar cane harvester
 base cutter knife, as shown and described.

DESCRIPTION

FIG. 1 is a top left side perspective view of a sugar cane
 harvester base cutter knife of a first embodiment of the
 present design:

FIG. 2 is a top right side perspective view of the sugar cane
 harvester base cutter knife of FIG. 1;
 FIG. 3 is a front view of the sugar cane harvester base cutter
 knife of FIG. 1;
 FIG. 4 is a right side view of the sugar cane harvester base
 cutter knife of FIG. 1;
 FIG. 5 is a top view of the sugar cane harvester base cutter
 knife of FIG. 1;
 FIG. 6 is a back view of the sugar cane harvester base cutter
 knife of FIG. 1;
 FIG. 7 is a left side view of the sugar cane harvester base
 cutter knife of FIG. 1;
 FIG. 8 is a bottom view of the sugar cane harvester base
 cutter knife of FIG. 1;
 FIG. 9 is a top front perspective view of a sugar cane
 harvester base cutter knife of a second embodiment of the
 present design;
 FIG. 10 is a top back side perspective view of the sugar cane
 harvester base cutter knife of FIG. 9;
 FIG. 11 is a left side view of the sugar cane harvester base
 cutter knife of FIG. 9;
 FIG. 12 is a top view the sugar cane harvester base cutter
 knife FIG. 9;
 FIG. 13 is a back view of the sugar cane harvester base cutter
 knife of FIG. 9;
 FIG. 14 is a left side view of the sugar cane harvester base
 cutter knife of FIG. 9;
 FIG. 15 is a bottom view of the sugar cane harvester base
 cutter knife of FIG. 9;
 FIG. 16 is a front view of the sugar cane harvester base
 cutter knife of FIG. 9;
 FIG. 17 is a top left side perspective view of a sugar cane
 harvester base cutter knife of a third embodiment of the
 present design;
 FIG. 18 is a top right side perspective view of the sugar cane
 harvester base cutter knife of FIG. 17;
 FIG. 19 is a front view of the sugar cane harvester base
 cutter knife of FIG. 17;
 FIG. 20 is a right side view of the sugar cane harvester base
 cutter knife of FIG. 17;
 FIG. 21 is a top view of the sugar cane harvester base cutter
 knife of FIG. 17;
 FIG. 22 is a back view of the sugar cane harvester base cutter
 knife of FIG. 17;
 FIG. 23 is a left side view of the sugar cane harvester base
 cutter knife of FIG. 17; and,
 FIG. 24 is a bottom view of the sugar cane harvester base
 cutter knife of FIG. 17.

1 Claim, 9 Drawing Sheets

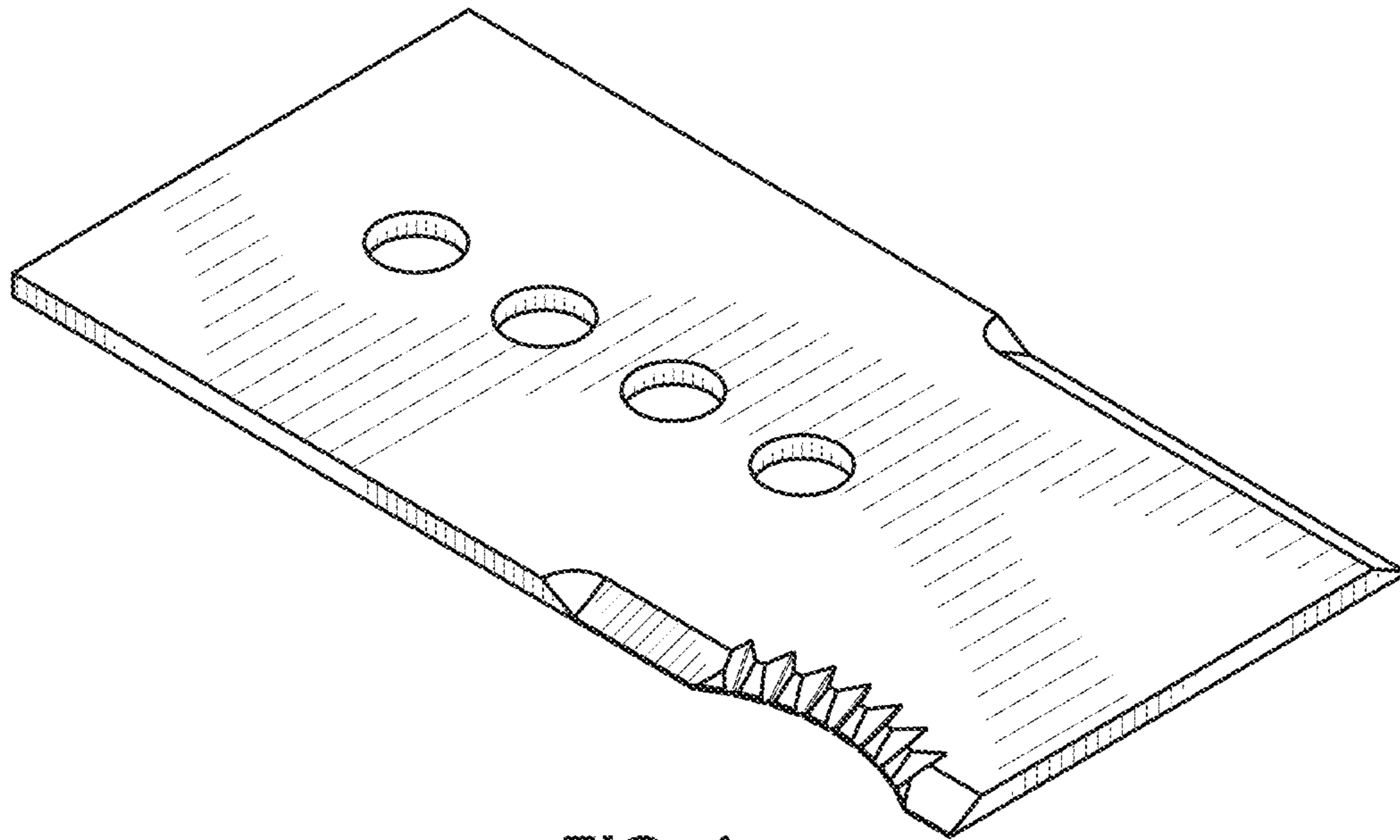


FIG. 1

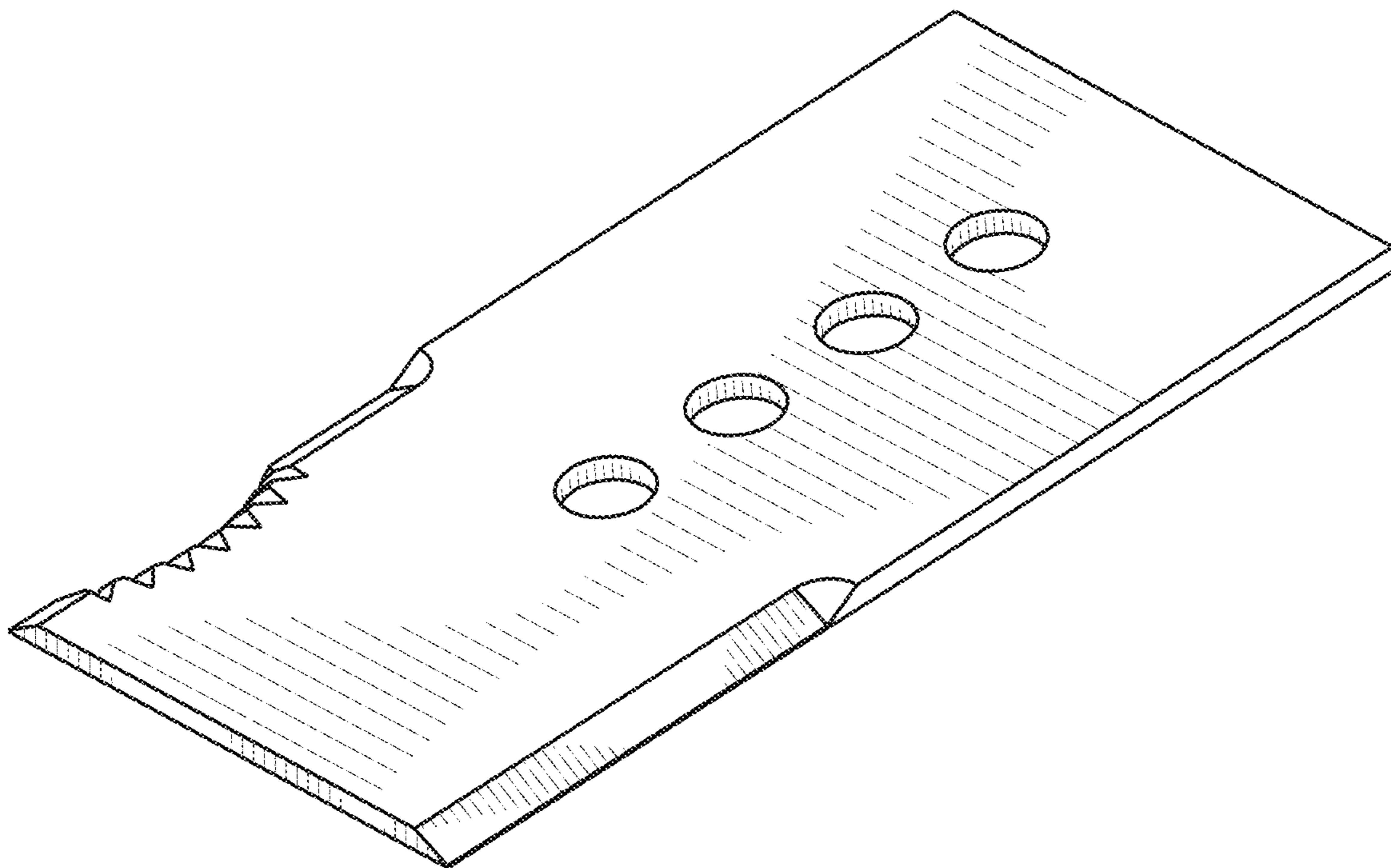


FIG. 2



FIG. 3



FIG. 4

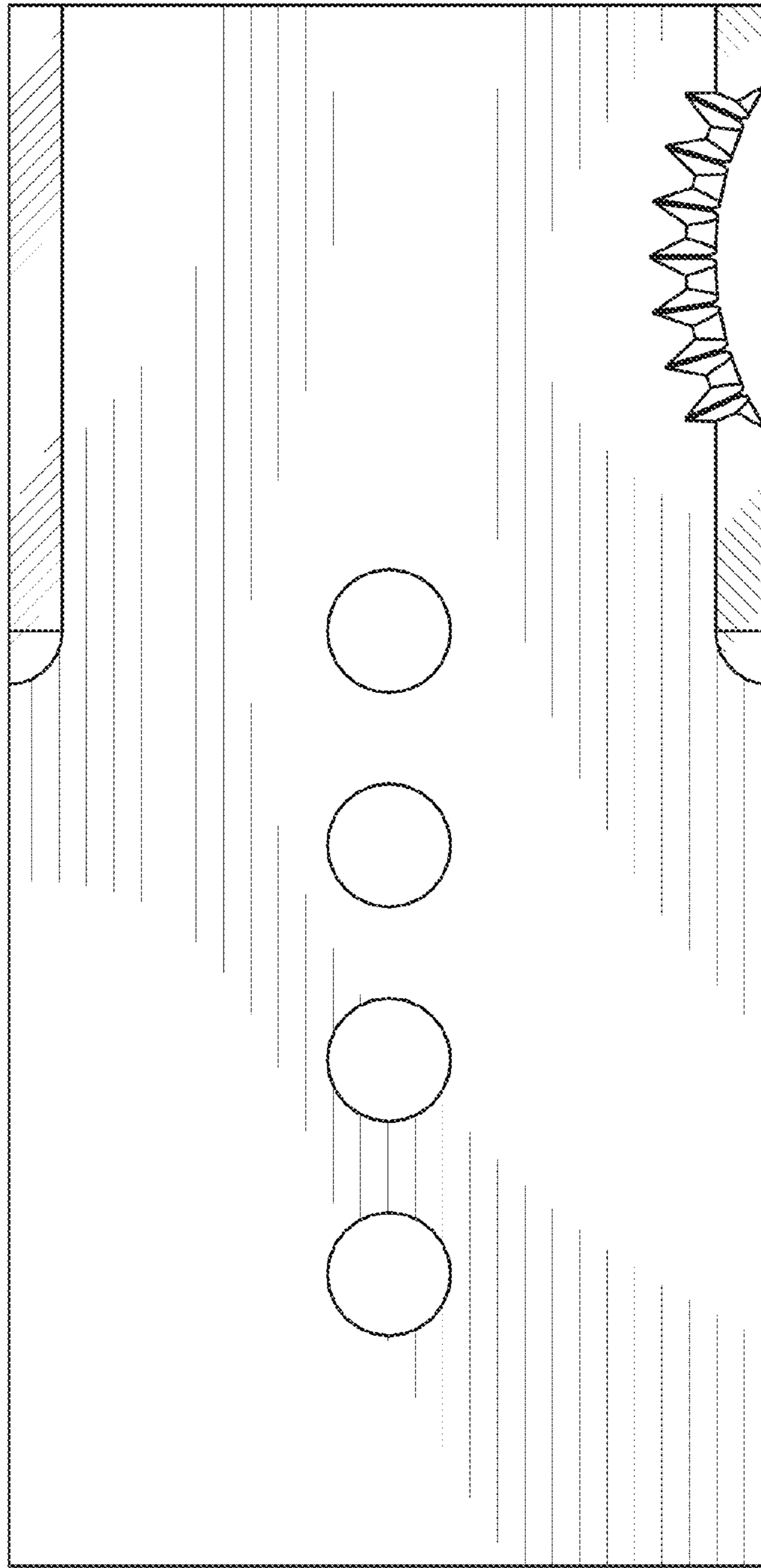


FIG. 5

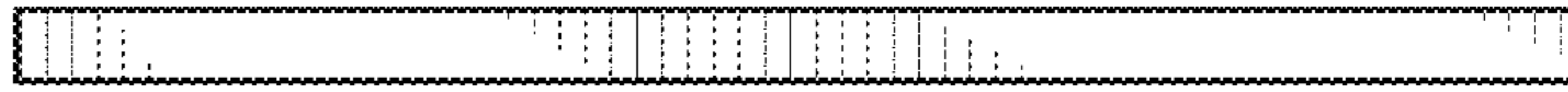


FIG. 6



FIG. 7

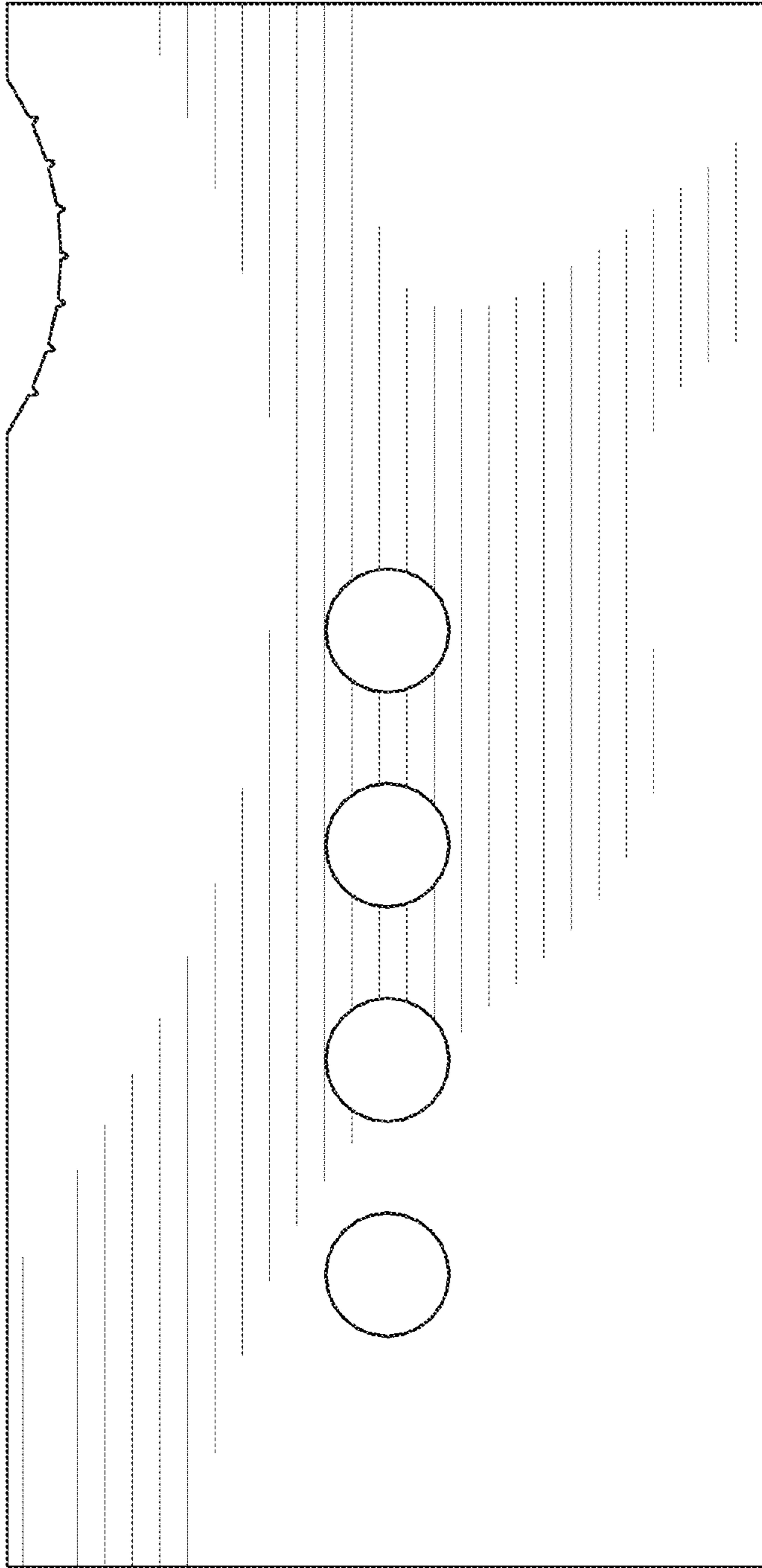


FIG. 8

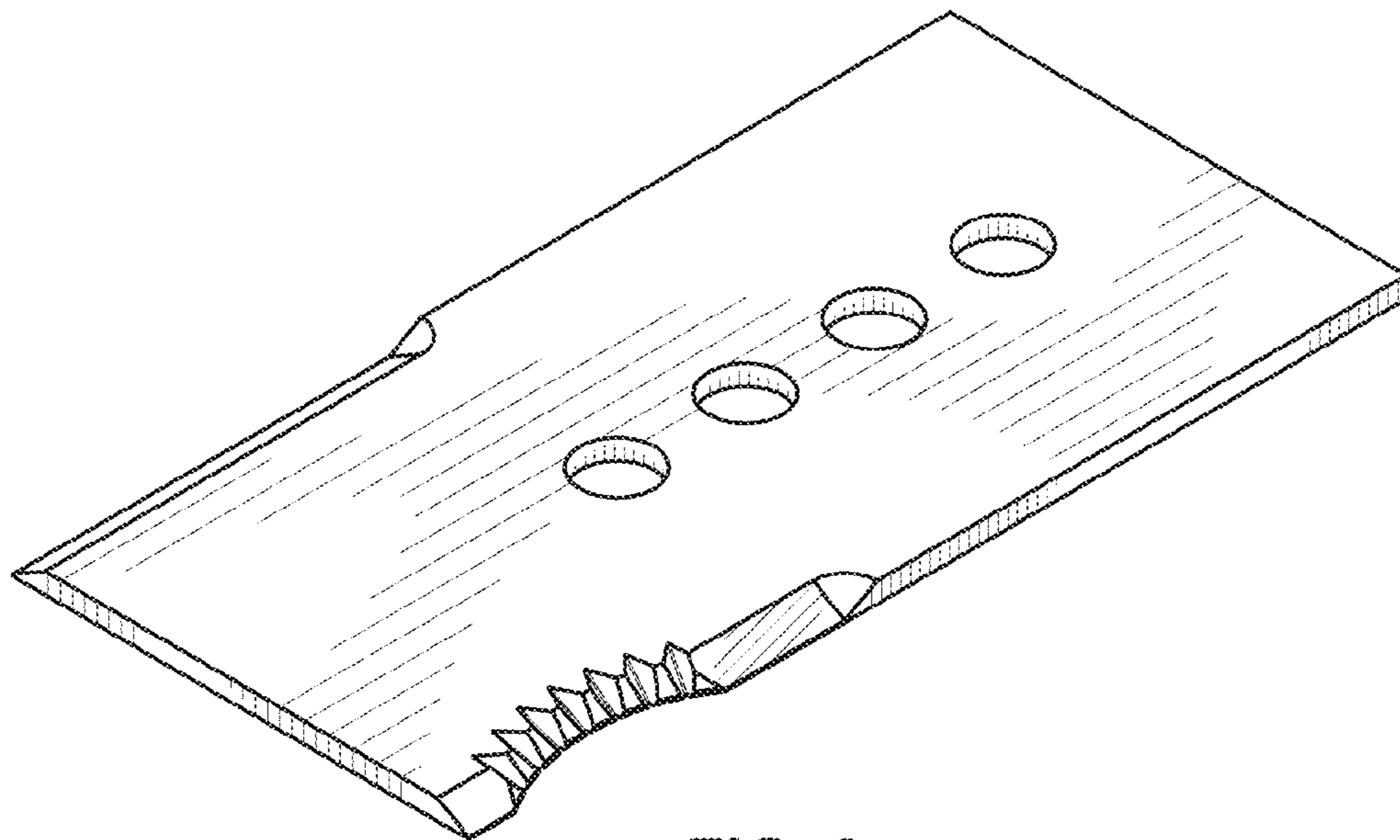


FIG. 9

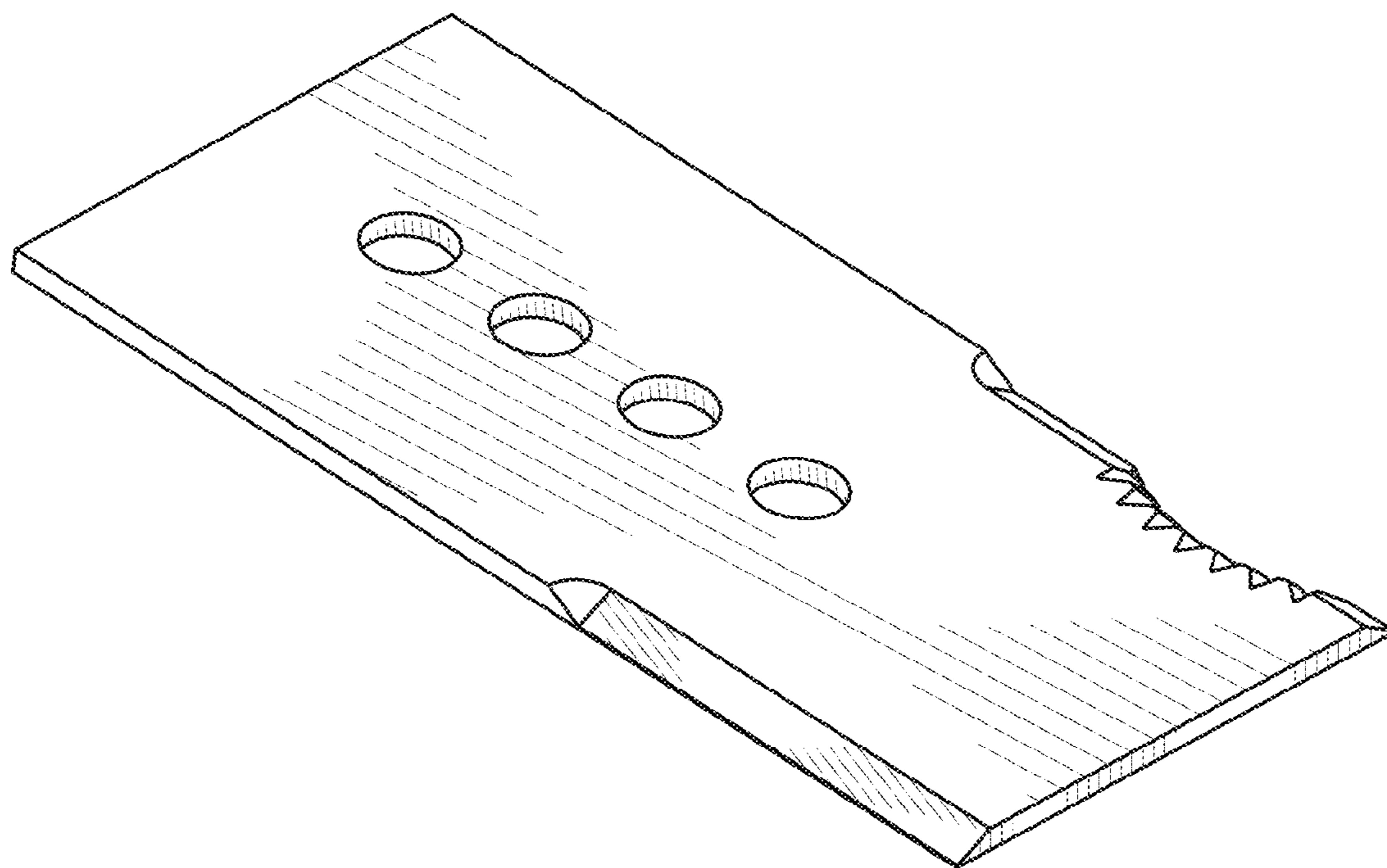


FIG. 10



FIG. 11

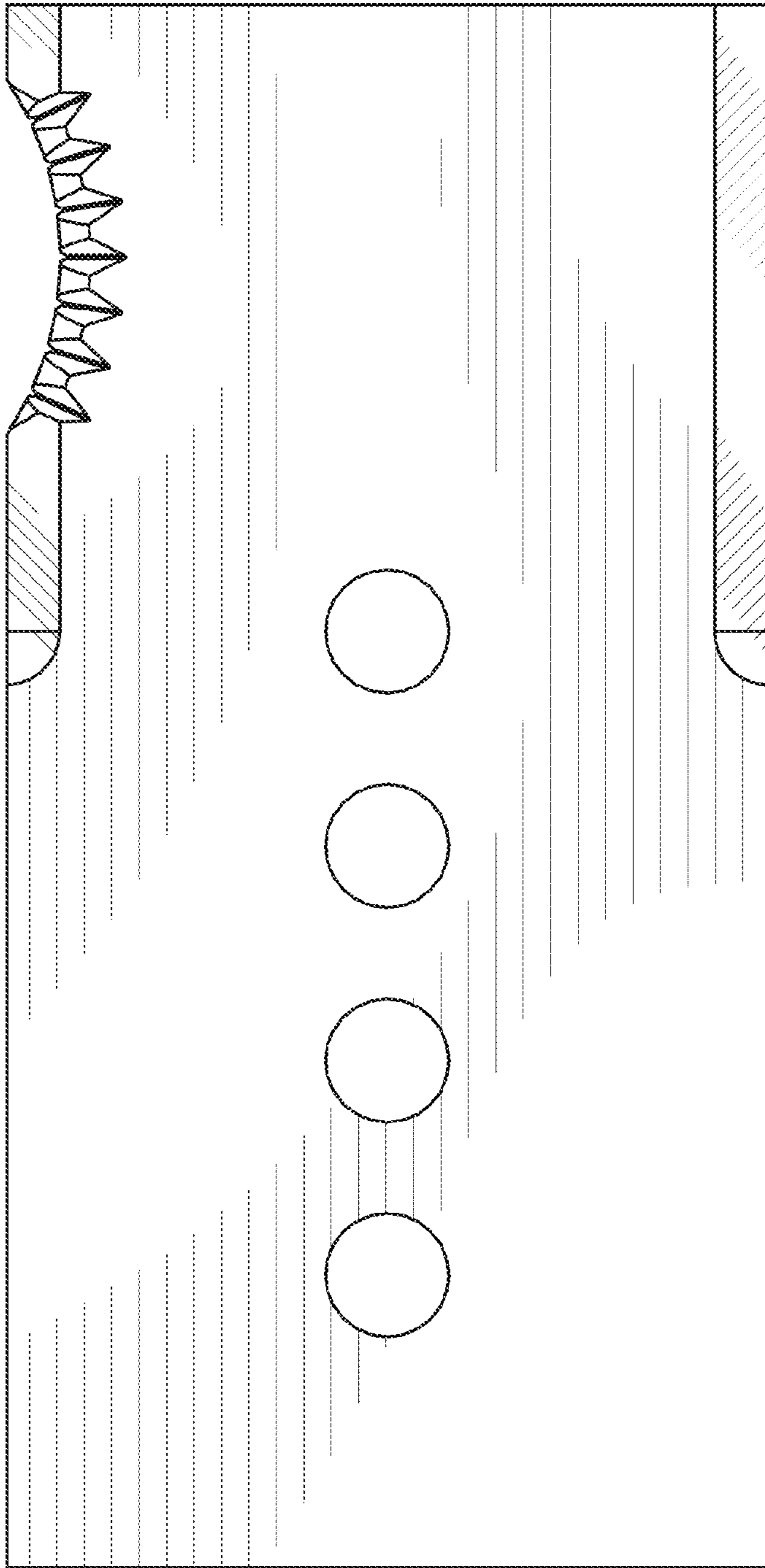


FIG. 12



FIG. 13



FIG. 14

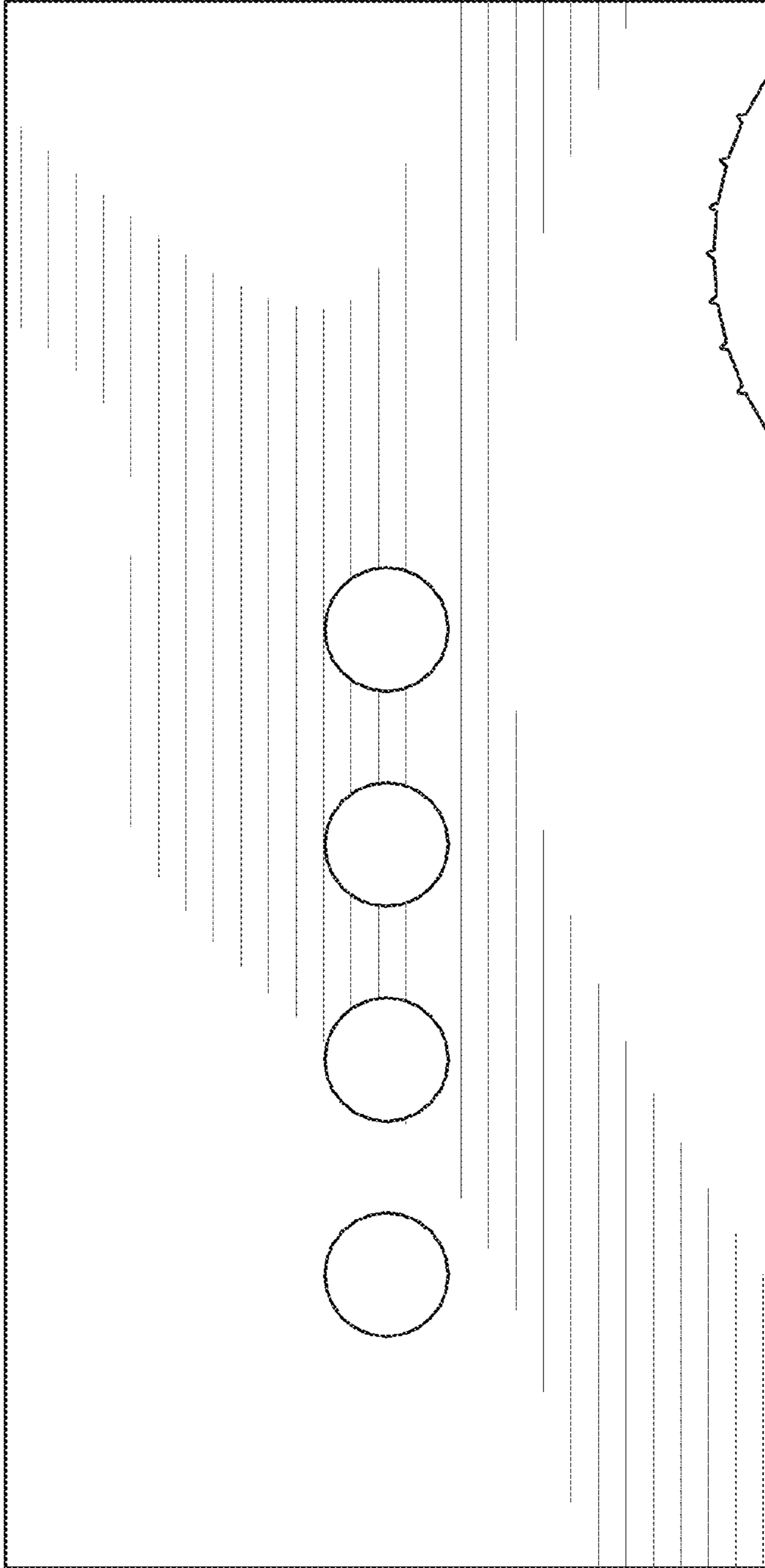


FIG. 15

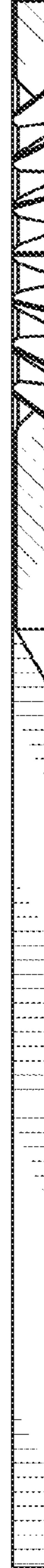


FIG. 16

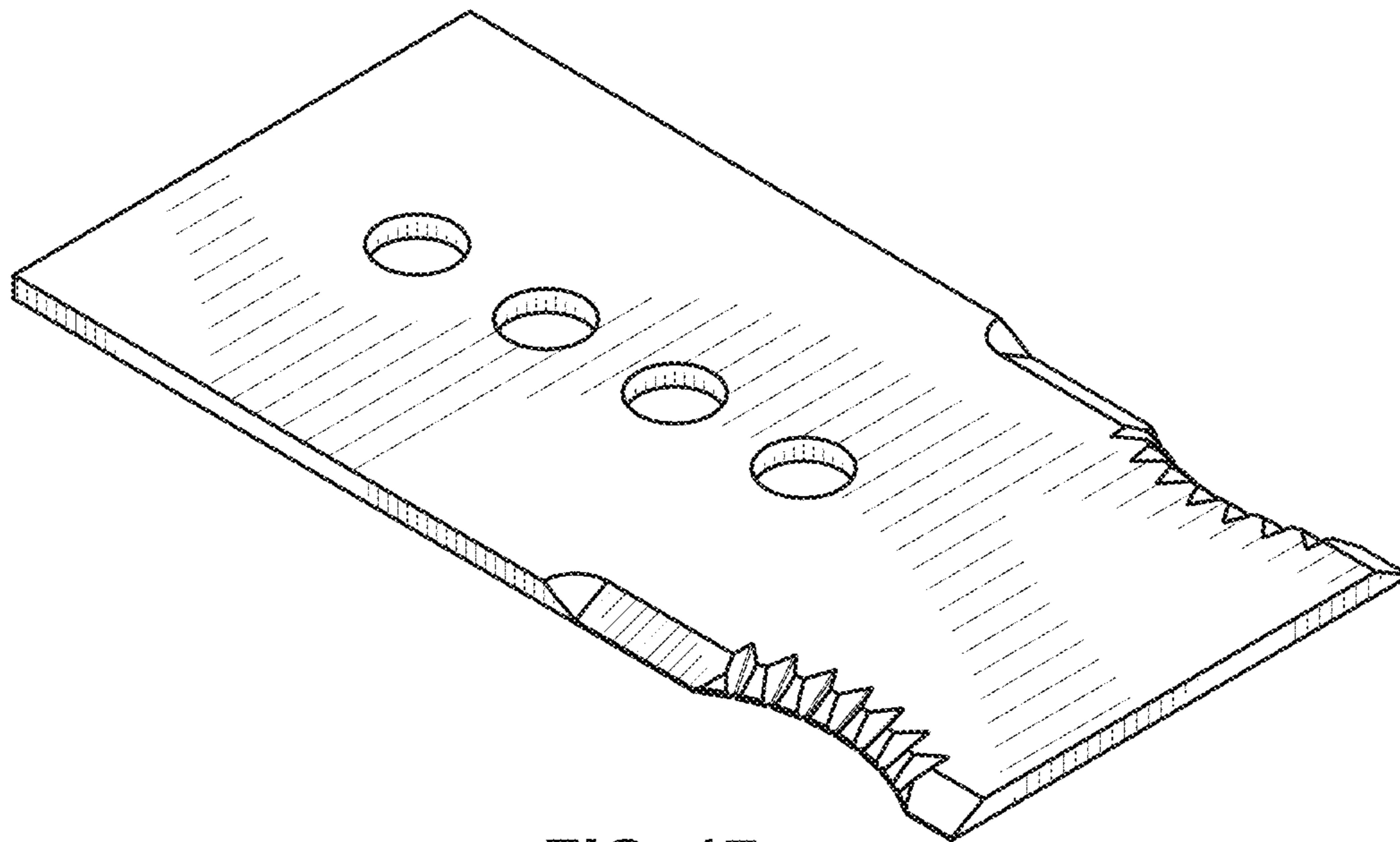


FIG. 17

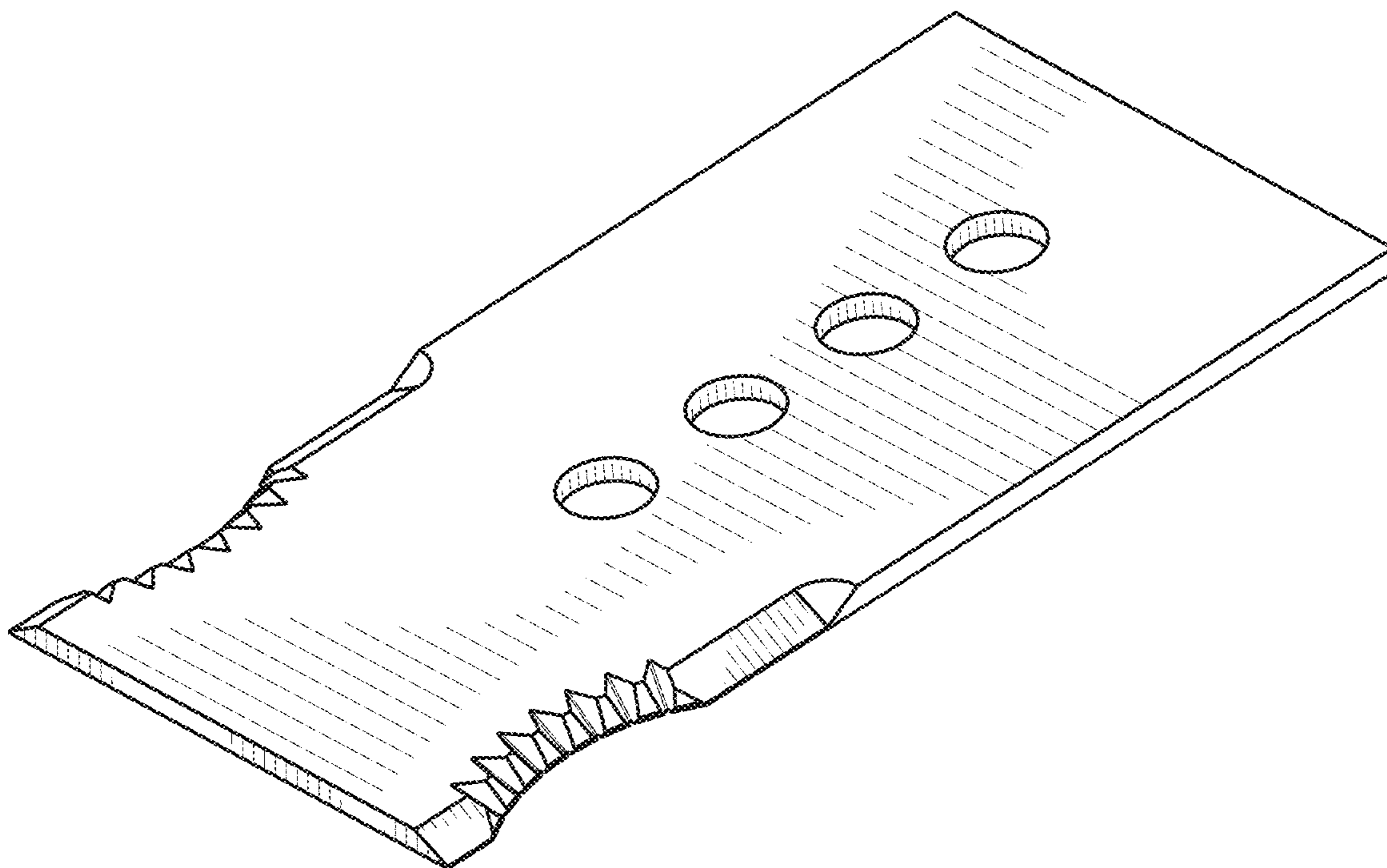


FIG. 18

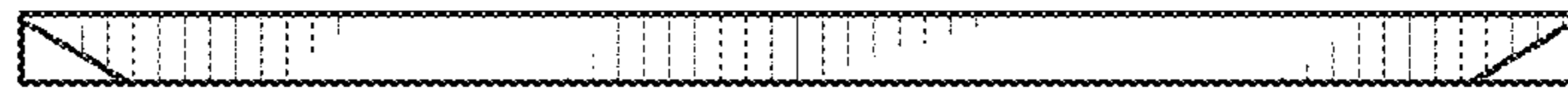


FIG. 19



FIG. 20

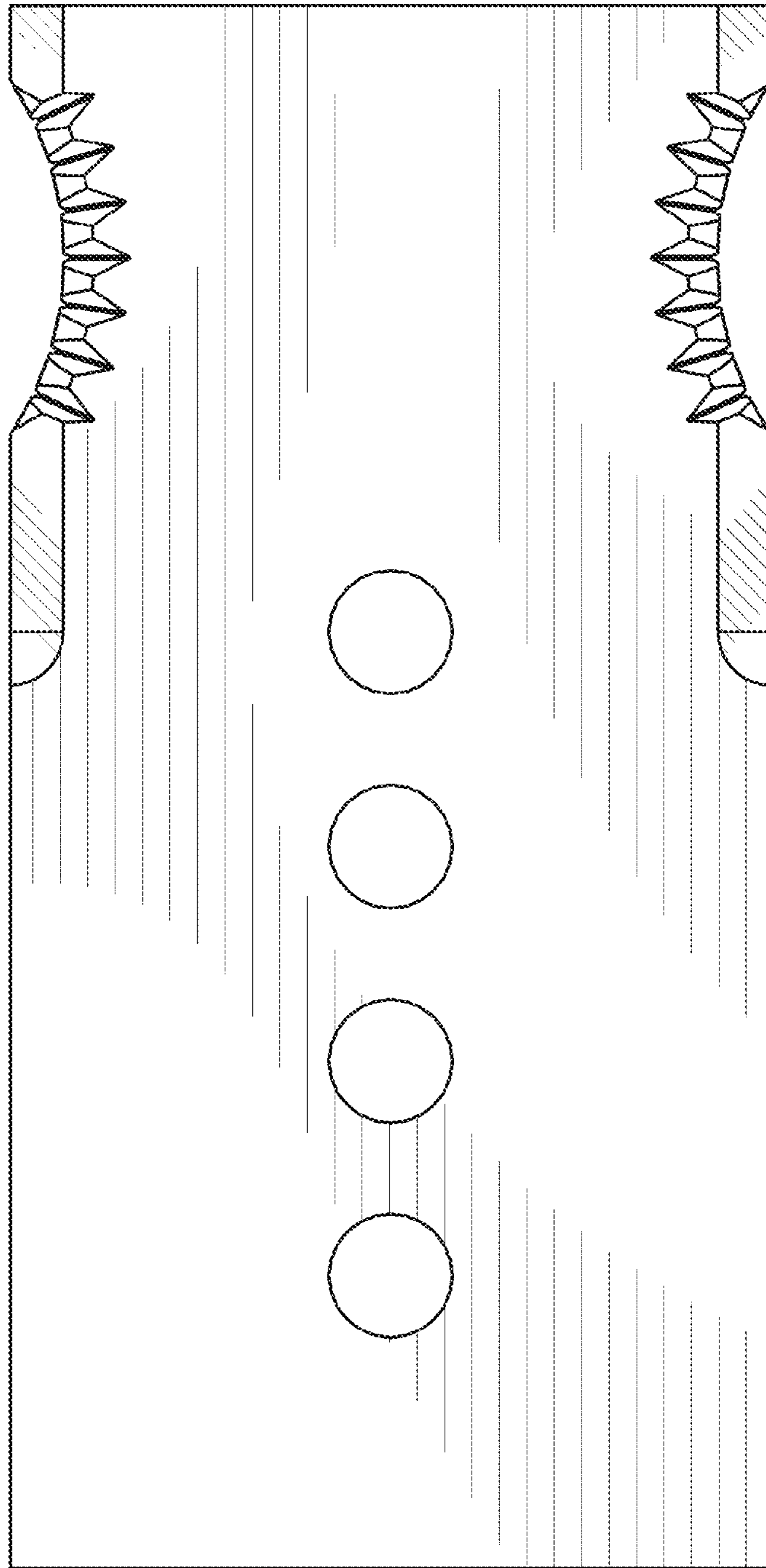


FIG. 21



FIG. 22



FIG. 23

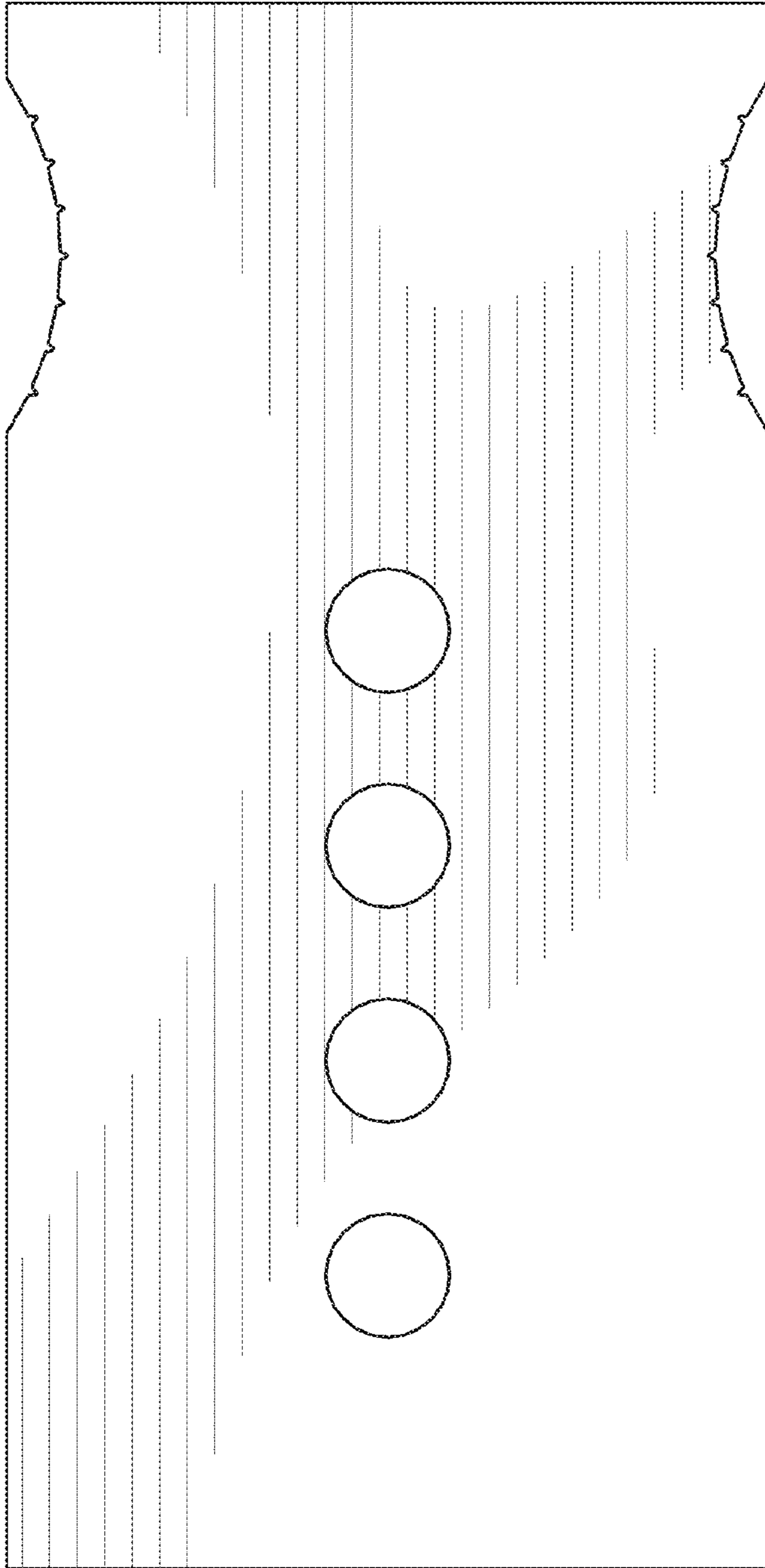


FIG. 24