



US00D767638S

(12) **United States Design Patent** (10) **Patent No.:** **US D767,638 S**
Kuge (45) **Date of Patent:** **** Sep. 27, 2016**

- (54) **PLANT CULTIVATION DEVICE**
- (71) Applicant: **OLYMPIA LIGHTING FIXTURES INDUSTRIES, LTD.**, Bunkyo-ku, Tokyo (JP)
- (72) Inventor: **Hidenori Kuge**, Moriya (JP)
- (73) Assignee: **OLYMPIA LIGHTING FIXTURES INDUSTRIES, LTD.**, Bunkyo-Ku, Tokyo (JP)
- (**) Term: **15 Years**
- (21) Appl. No.: **29/535,730**
- (22) Filed: **Aug. 10, 2015**
- (51) **LOC (10) Cl.** **15-03**
- (52) **U.S. Cl.**
USPC **D15/10; D11/144**
- (58) **Field of Classification Search**
USPC D15/10, 21, 28, 199; D8/1, 499; D11/142, 143, 144, 155, 164; D26/55
CPC A01G 31/02; A01G 31/00; A01G 9/02; A01G 9/05; A01G 9/021; A01G 9/023; A01G 9/1026; A01G 9/1086; A01G 27/02; A01G 27/00; A01G 1/001
See application file for complete search history.

- (56) **References Cited**
U.S. PATENT DOCUMENTS
3,236,545 A * 2/1966 Parkes F16L 3/22 174/651
3,936,134 A * 2/1976 Piscionere, Sr. H01R 11/282 439/762
D416,102 S * 11/1999 Schulman D11/144
D495,621 S * 9/2004 Sikina D11/155
D661,164 S * 6/2012 Licamele D8/1
8,261,486 B2 * 9/2012 Bissonnette A01G 27/003 47/59 R
8,604,700 B2 * 12/2013 Waumans A01G 7/045 315/149
8,667,734 B2 * 3/2014 Johnson A01G 31/02 47/62 N

- D704,011 S * 5/2014 Velez D8/1
- D706,835 S * 6/2014 Degelman D15/11
- D719,055 S * 12/2014 Tyink D11/143
- D729,115 S * 5/2015 Prinster D11/144
- D738,946 S * 9/2015 Culbertson D15/138
- 9,125,351 B2 * 9/2015 Wu A01G 31/02
- D741,217 S * 10/2015 Kernahan D11/155
- D745,430 S * 12/2015 McLennan D11/155
- D760,118 S * 6/2016 Lepp D11/142
- 2007/0271841 A1 * 11/2007 Bissonnette A01C 1/02 47/61
- 2014/0109473 A1 * 4/2014 Sung A01G 9/025 47/39

* cited by examiner

Primary Examiner — Ian Simmons

Assistant Examiner — Khawaja Anwar

(74) *Attorney, Agent, or Firm* — Buchanan Ingersoll & Rooney PC

(57) **CLAIM**

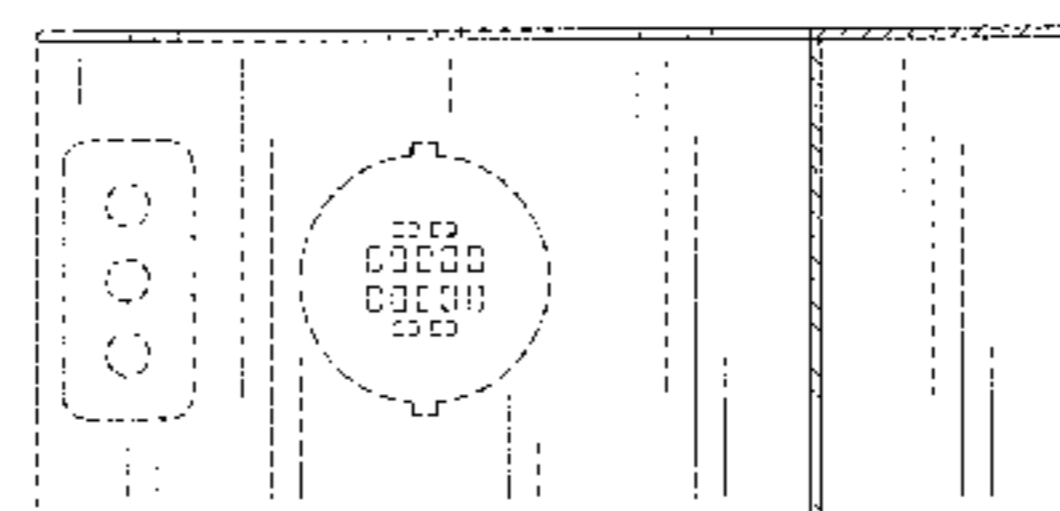
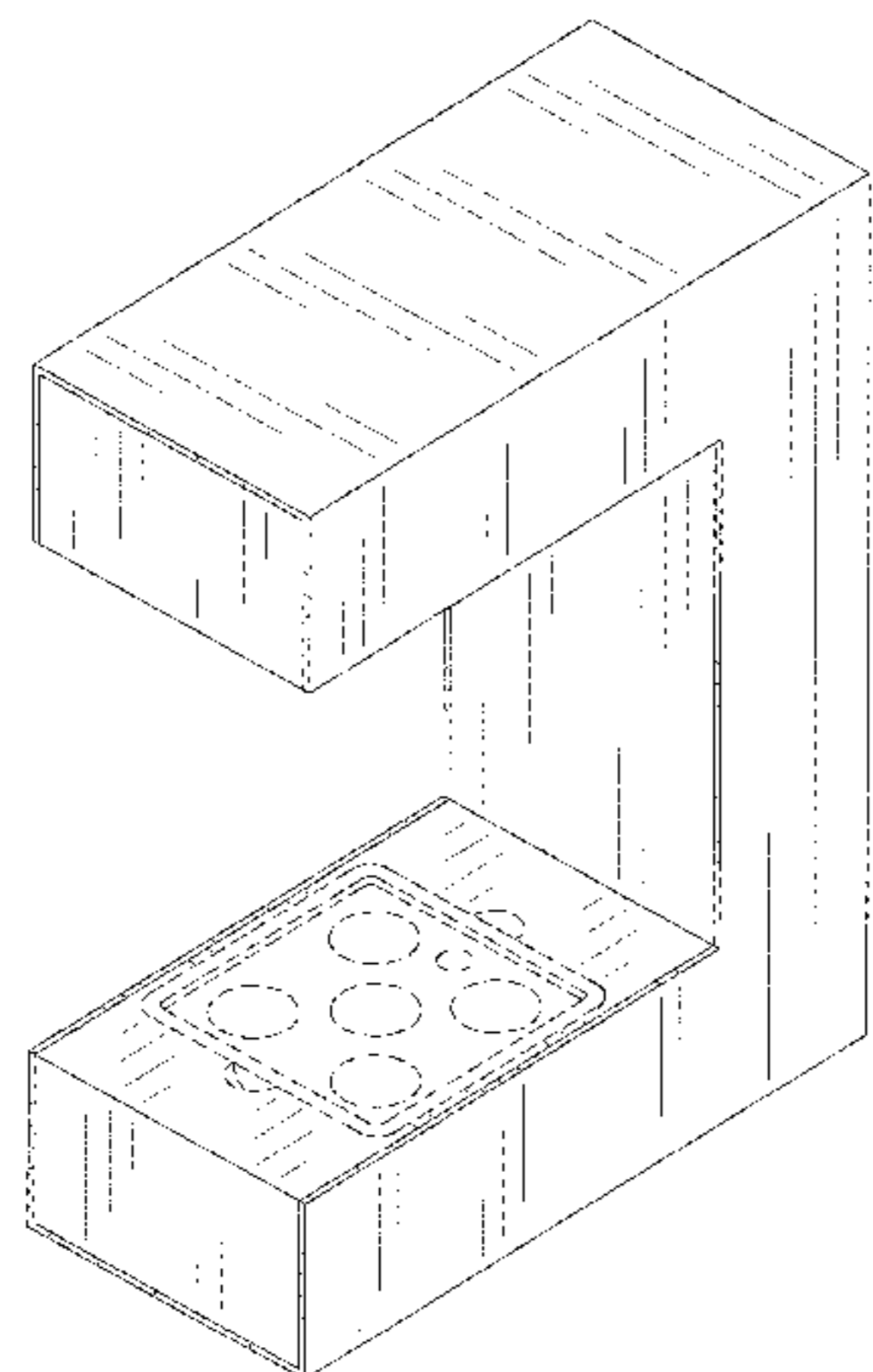
The ornamental design for a plant cultivation device, as shown and described.

DESCRIPTION

FIG. 1 is a front, left side, top perspective view of a plant cultivation device showing my new design;
 FIG. 2 is a front elevational view thereof;
 FIG. 3 is a rear elevational view thereof;
 FIG. 4 is a left side elevational view thereof;
 FIG. 5 is a right side elevational view thereof;
 FIG. 6 is a top plan view thereof;
 FIG. 7 is a bottom plan view thereof;
 FIG. 8 is a cross-sectional view thereof, taken along line 8-8 of FIG. 2;
 FIG. 9 is a cross-sectional view thereof, taken along line 9-9 of FIG. 2; and,
 FIG. 10 is a cross-sectional view thereof, taken along line 10-10 of FIG. 9.

The broken lines shown in the drawings represent unclaimed environment only and form no part of the claimed design.

1 Claim, 8 Drawing Sheets



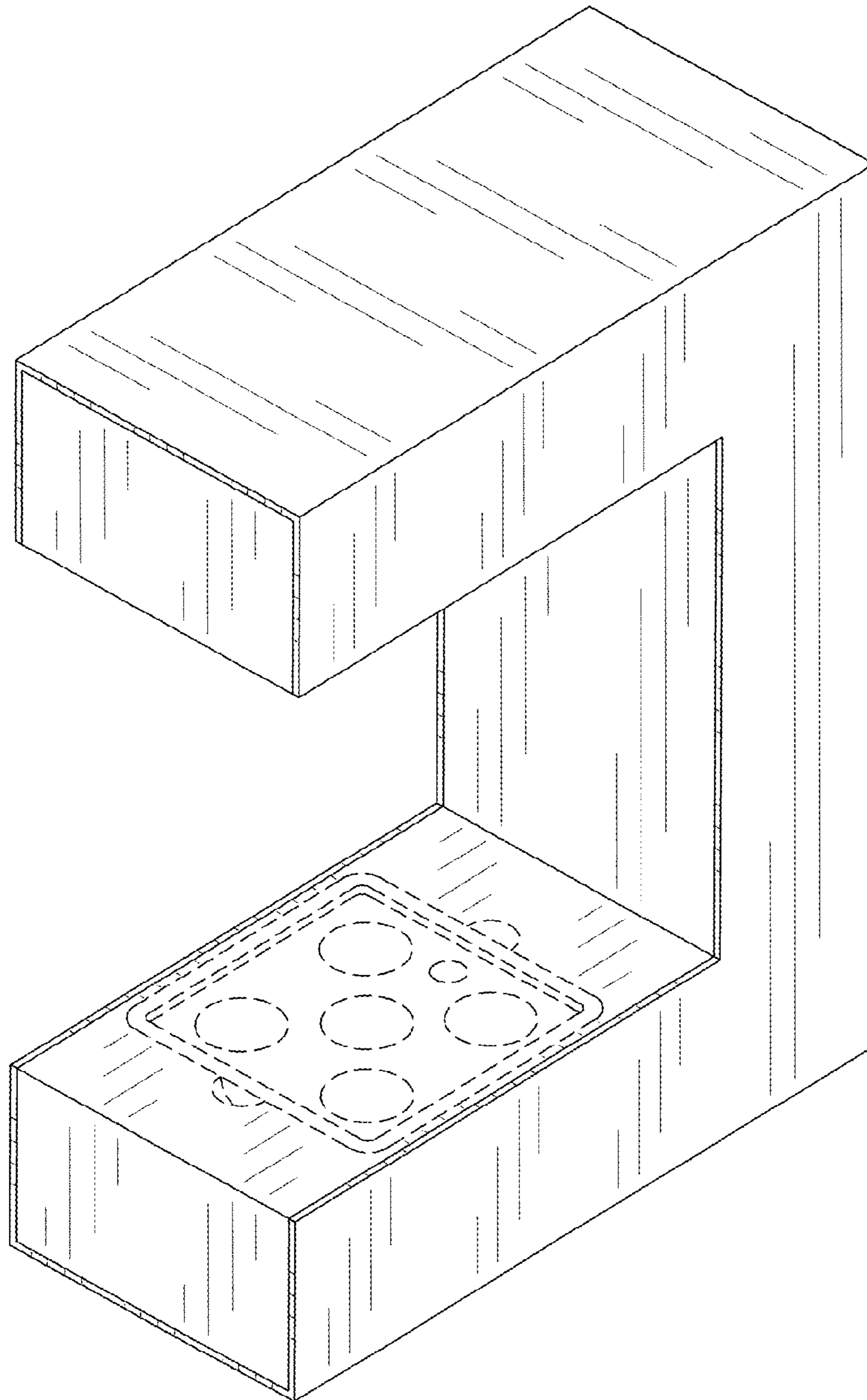


FIG. 1

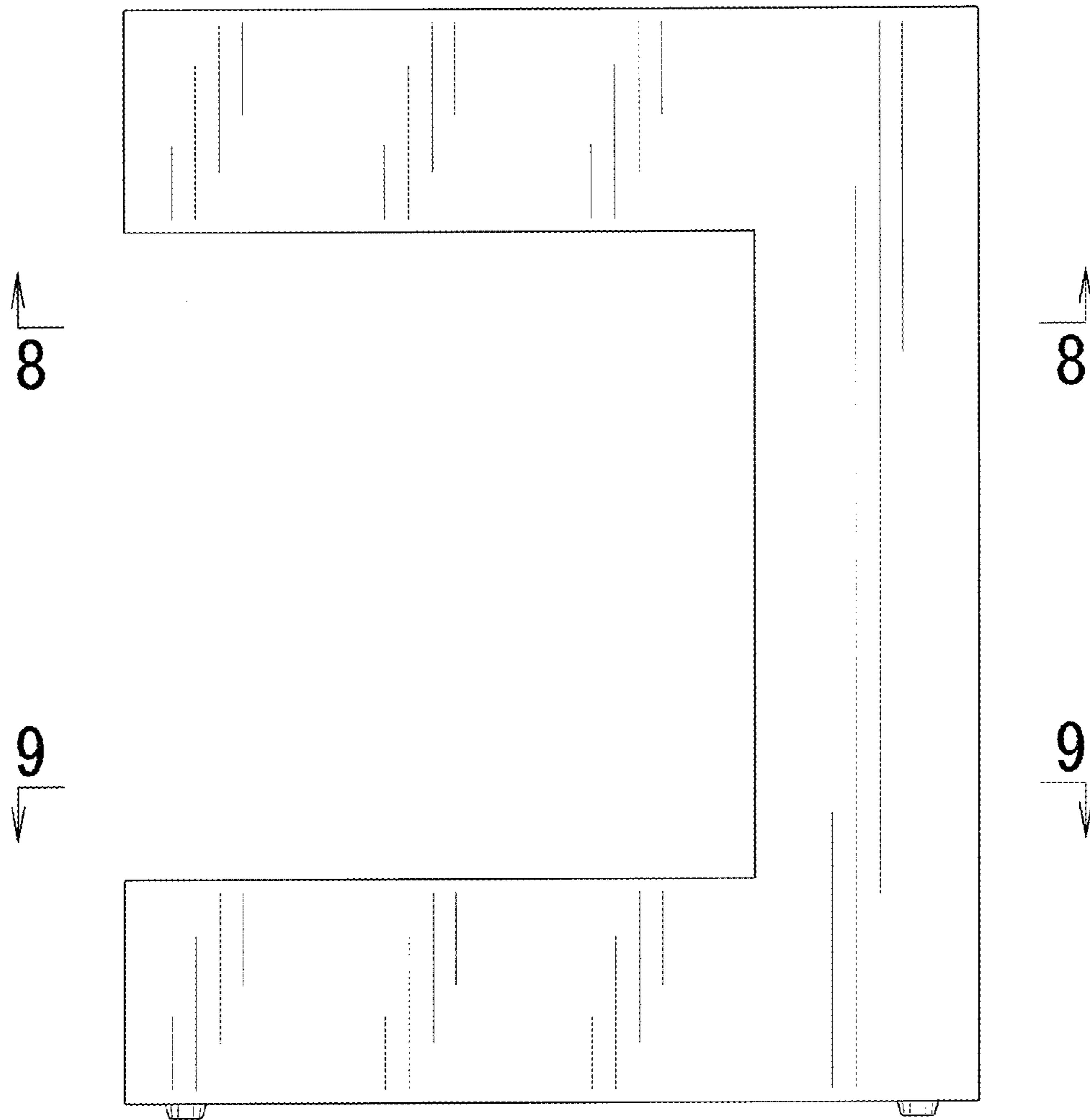


FIG. 2

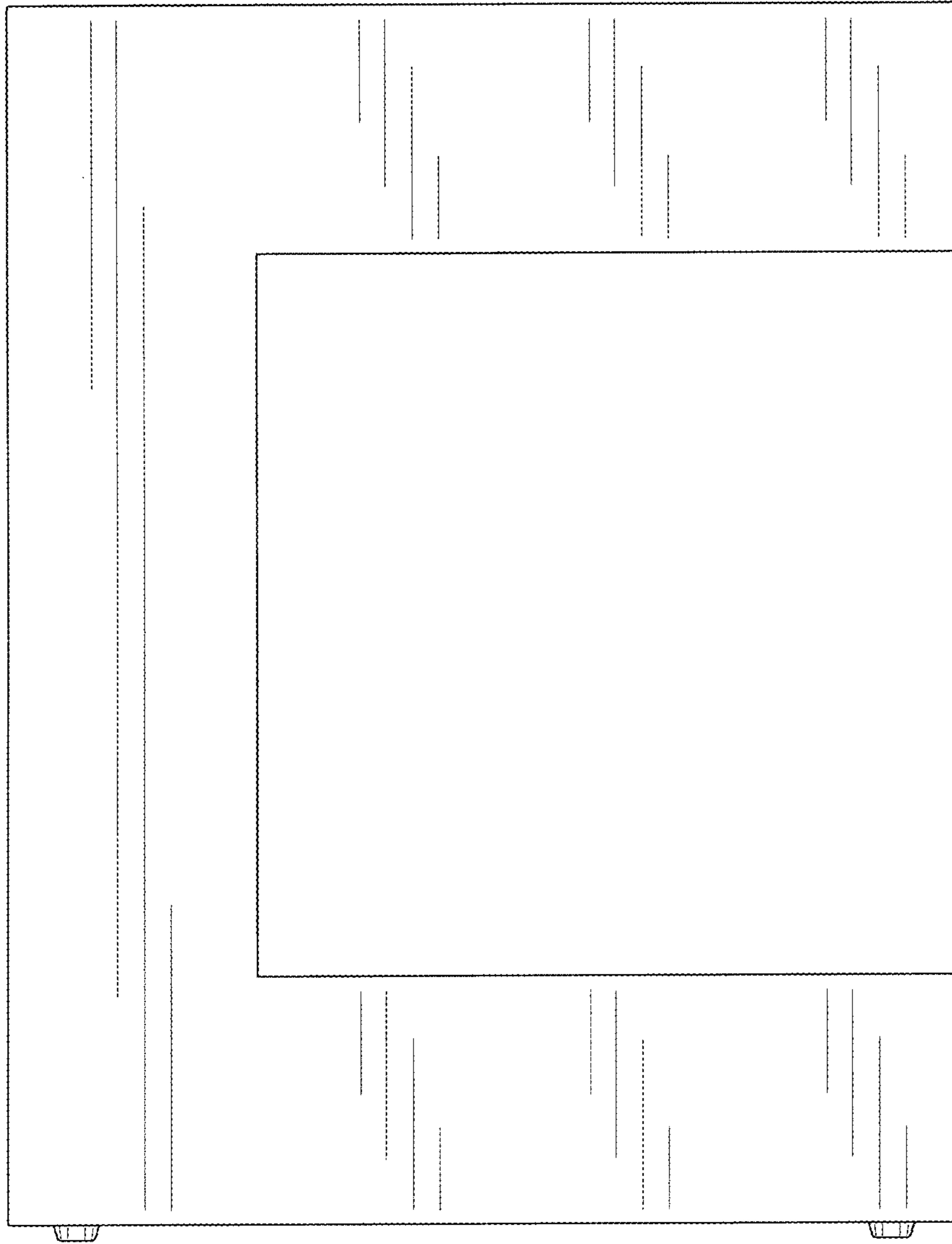


FIG. 3

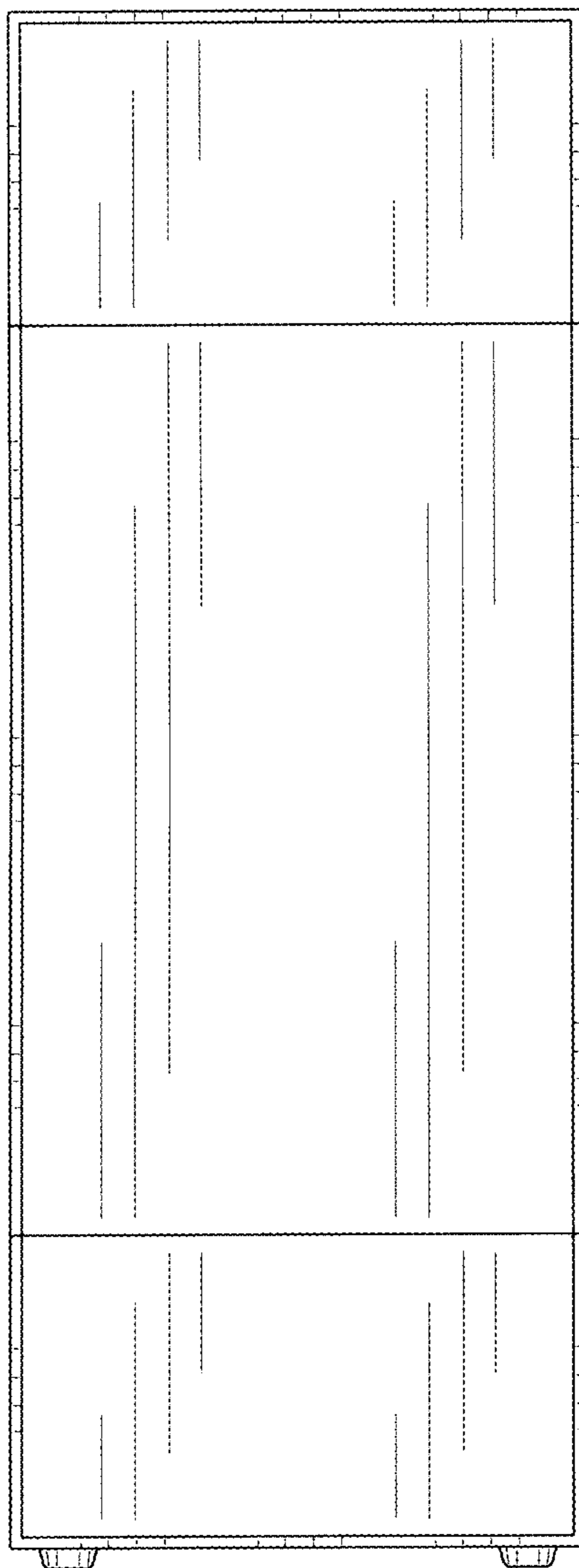


FIG. 4

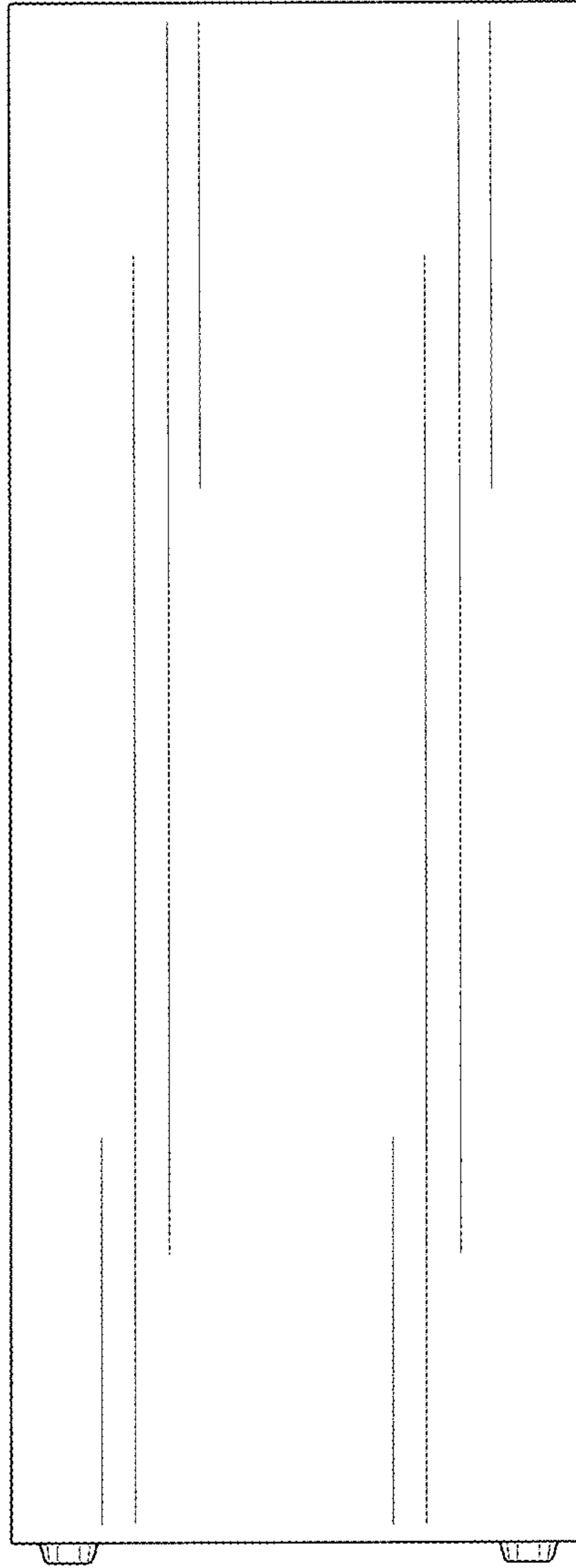


FIG. 5

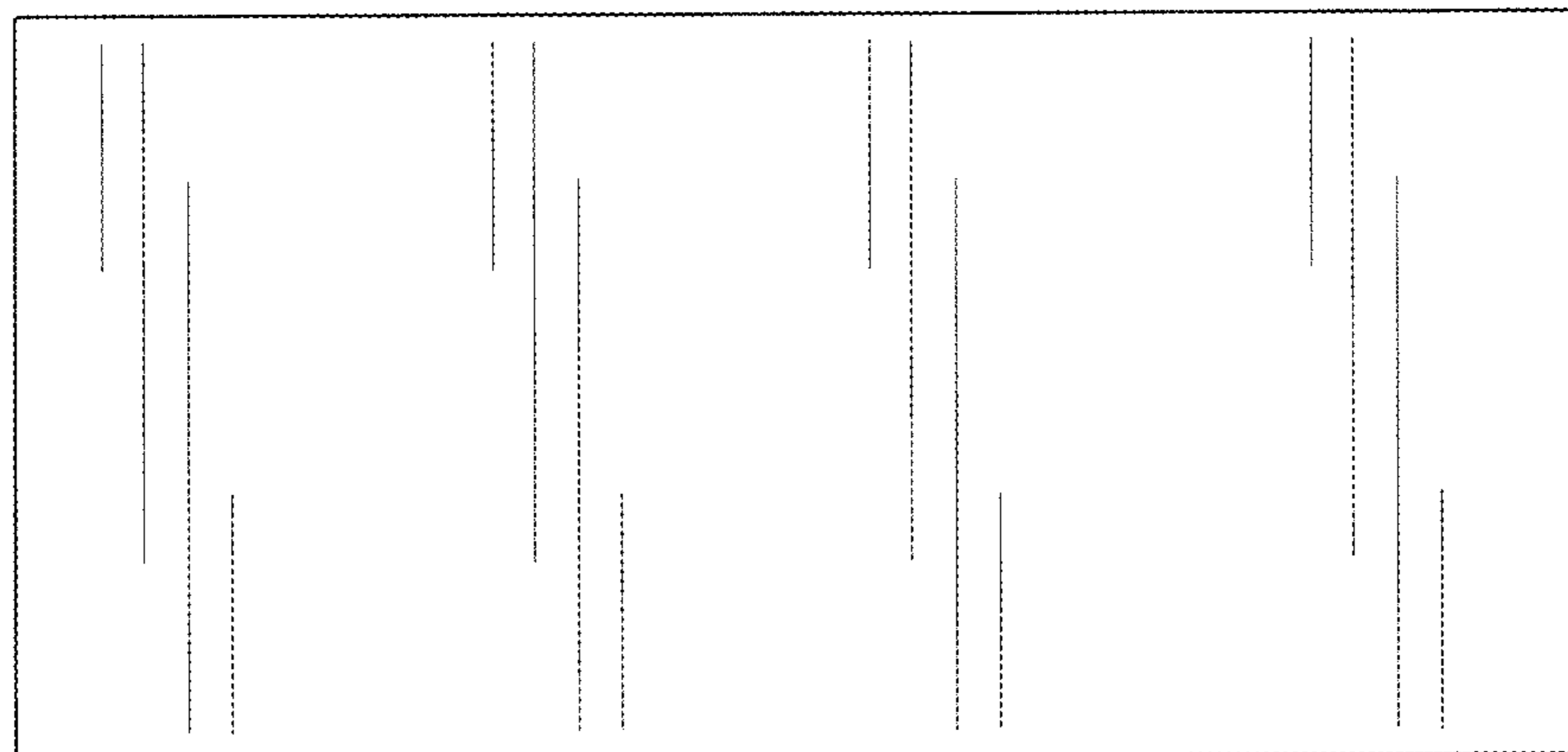


FIG. 6

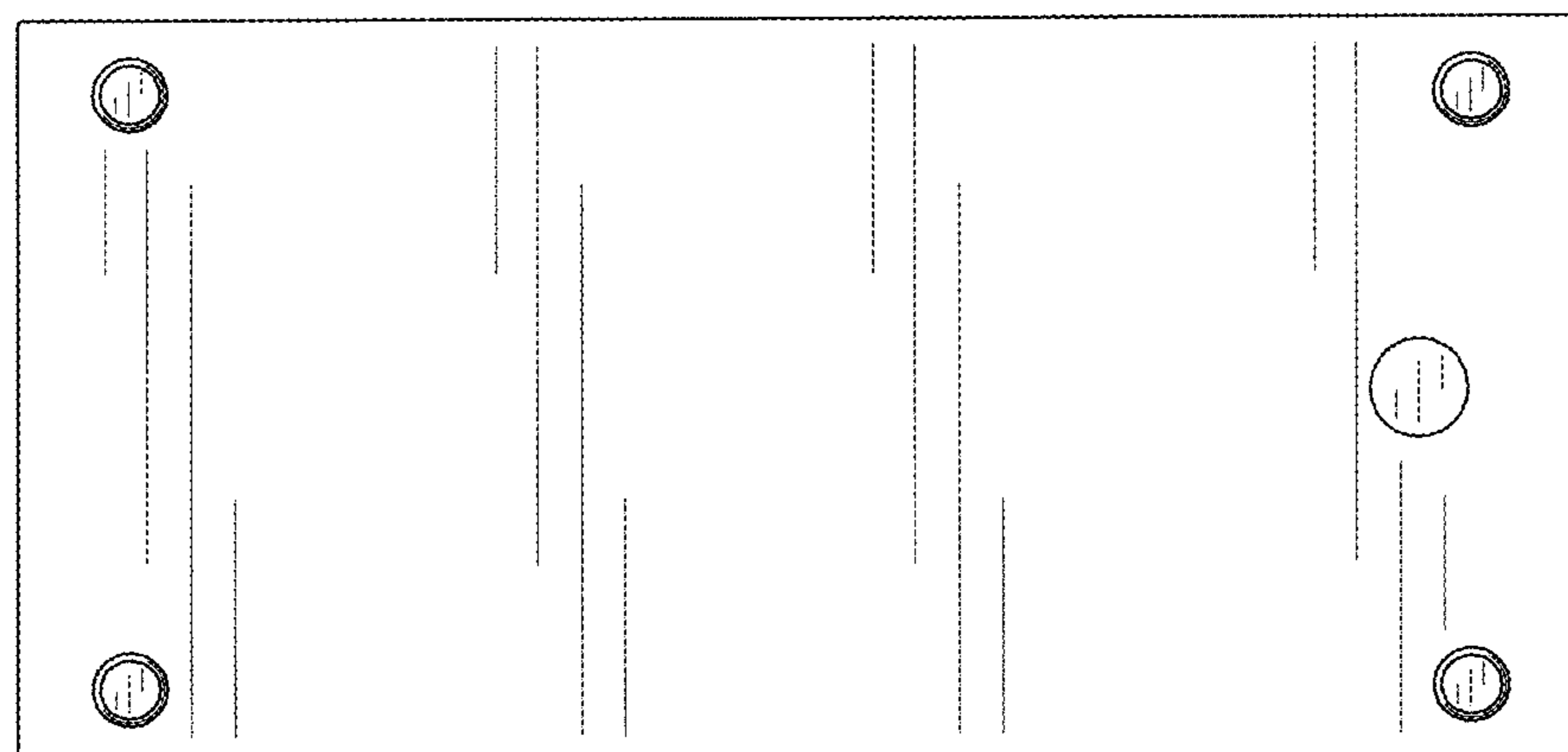


FIG. 7

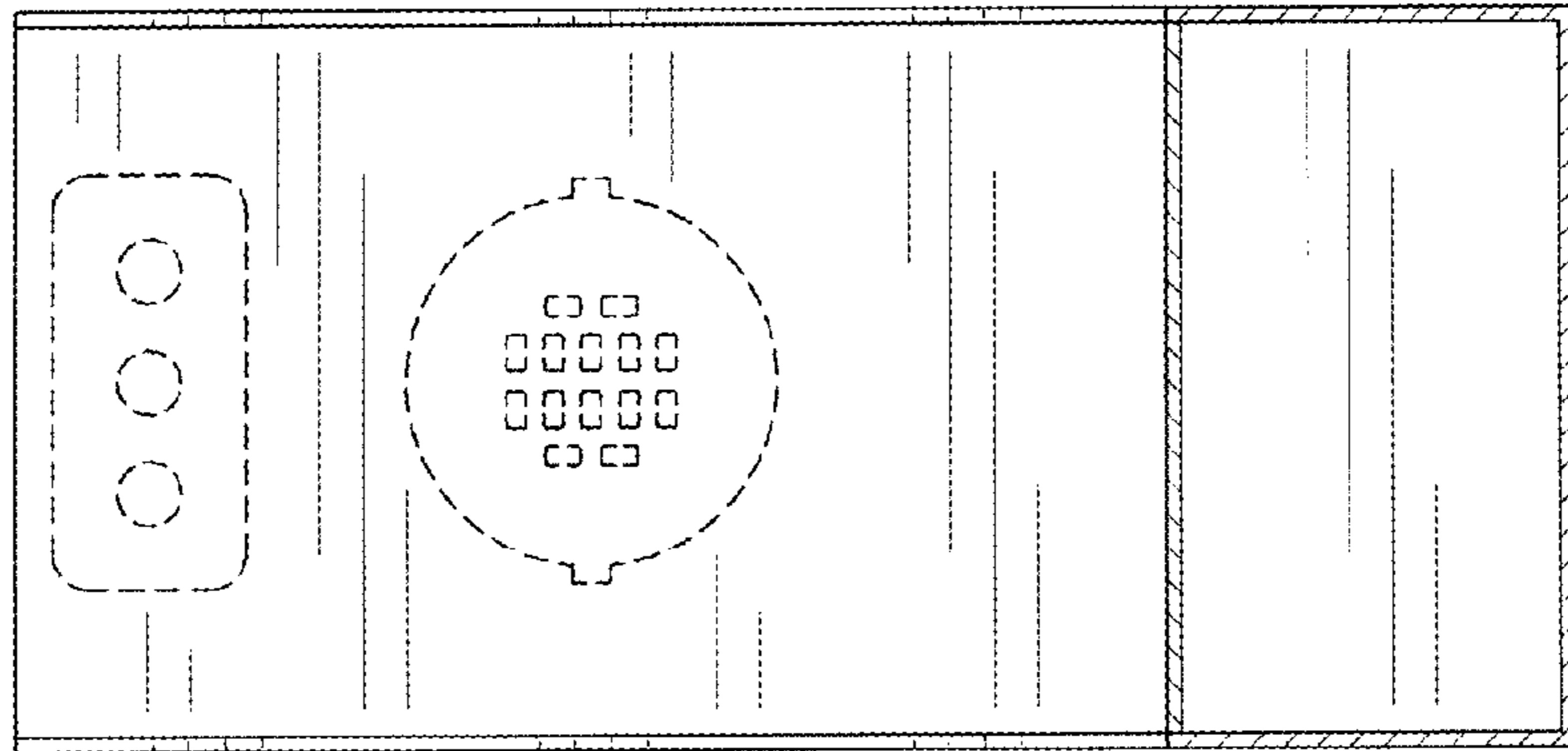


FIG. 8

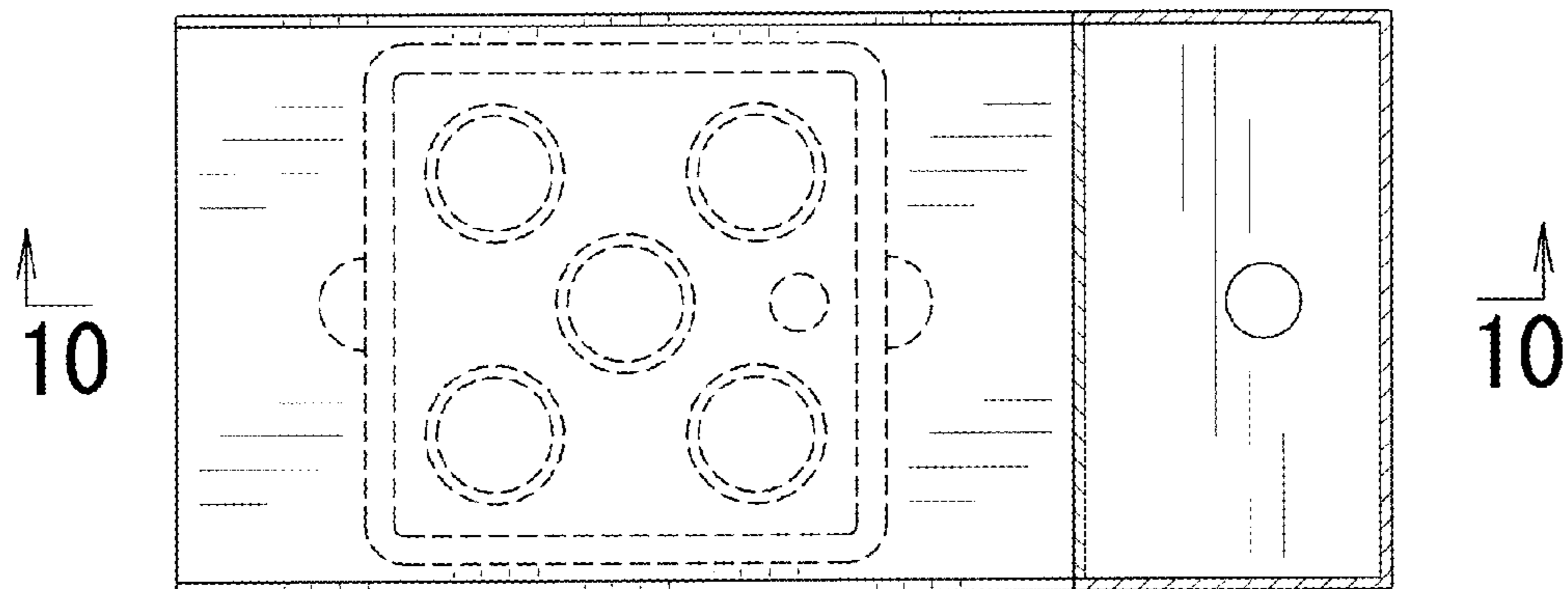


FIG. 9

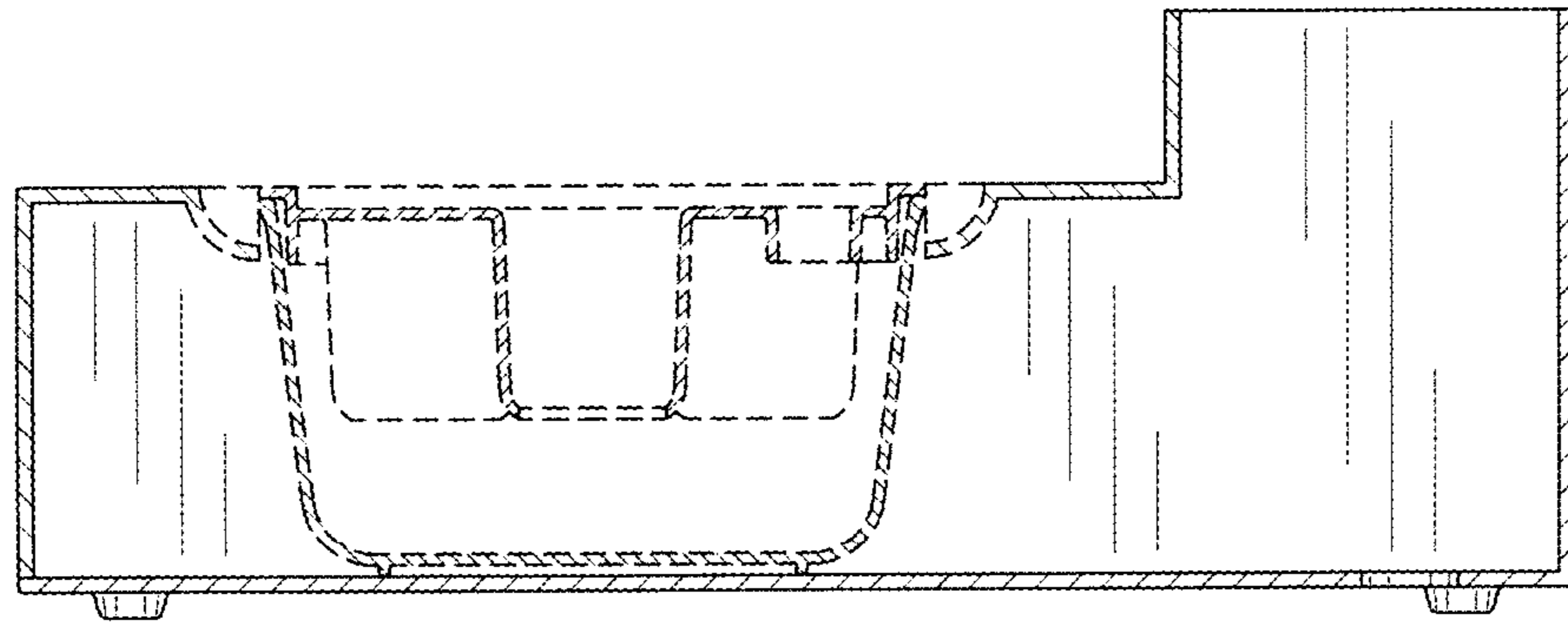


FIG. 10