



US00D767636S

(12) **United States Design Patent** (10) **Patent No.:** **US D767,636 S**
Fisher et al. (45) **Date of Patent:** **** Sep. 27, 2016**

(54) **HYDRAULIC POWER UNIT FOR A DIFFERENTIAL**

2015/0057125 A1* 2/2015 Pump F16H 48/08
475/160

(71) Applicant: **Eaton Corporation**, Cleveland, OH (US)

* cited by examiner

(72) Inventors: **Daniel P. Fisher**, Coldwater, MI (US);
Andrew N. Edler, Homer, MI (US)

Primary Examiner — T. Chase Nelson

Assistant Examiner — Ania Aman

(73) Assignee: **Eaton Corporation**, Cleveland, OH (US)

(74) *Attorney, Agent, or Firm* — Remarck Law Group PLC

(**) Term: **14 Years**

(57) **CLAIM**

The ornamental design for a hydraulic power unit for a differential, as shown and described.

(21) Appl. No.: **29/476,684**

(22) Filed: **Dec. 16, 2013**

DESCRIPTION

Related U.S. Application Data

(63) Continuation-in-part of application No. 29/473,101, filed on Nov. 19, 2013.

(51) **LOC (10) Cl.** **15-01**

(52) **U.S. Cl.**
USPC **D15/5**

(58) **Field of Classification Search**
USPC D15/5, 148, 149, 199; D12/160, 159;
475/226, 220, 149, 150, 151, 152, 153,
475/154, 249, 248, 231; 192/70.11;
180/305

See application file for complete search history.

(56) **References Cited**

U.S. PATENT DOCUMENTS

3,041,975 A * 7/1962 Johnston B30B 1/32
417/401

2007/0102223 A1* 5/2007 Tate F04B 1/22
180/305

FIG. 1 is a first top perspective view of a hydraulic power unit for a differential showing our new design.

FIG. 2 is a second top perspective view of the hydraulic power unit for a differential of FIG. 1.

FIG. 3 is a top view of the hydraulic power unit for a differential of FIG. 1.

FIG. 4 is a front view of the hydraulic power unit for a differential of FIG. 1.

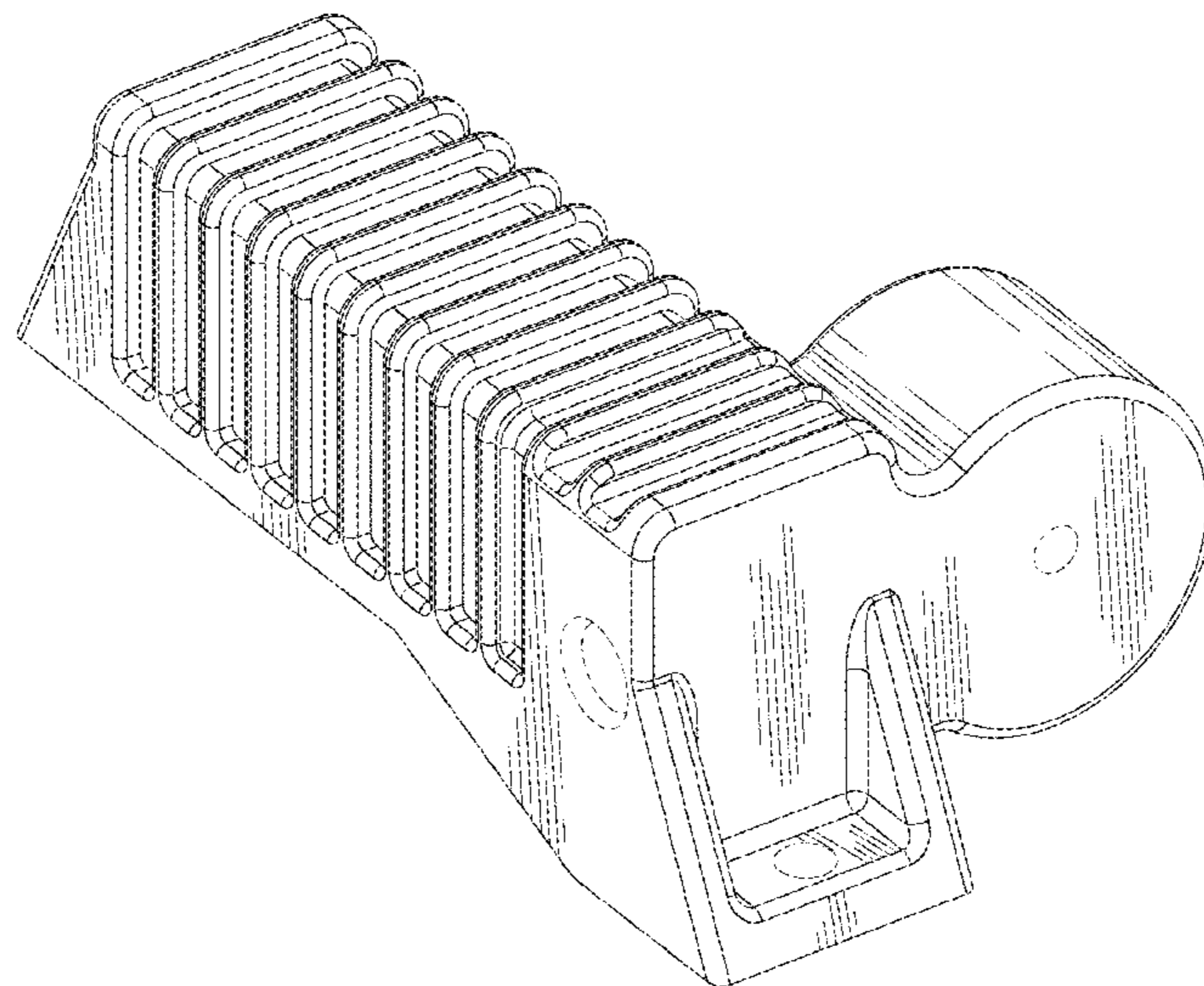
FIG. 5 is a rear view of the hydraulic power unit for a differential of FIG. 1.

FIG. 6 is a first side view of the hydraulic power unit for a differential of FIG. 1; and,

FIG. 7 is a second side view of the hydraulic power unit for a differential of FIG. 1.

Any portion of the hydraulic power unit for a differential shown in broken lines is for the purpose of illustrating environmental structure and forms no part of the claimed design.

1 Claim, 7 Drawing Sheets



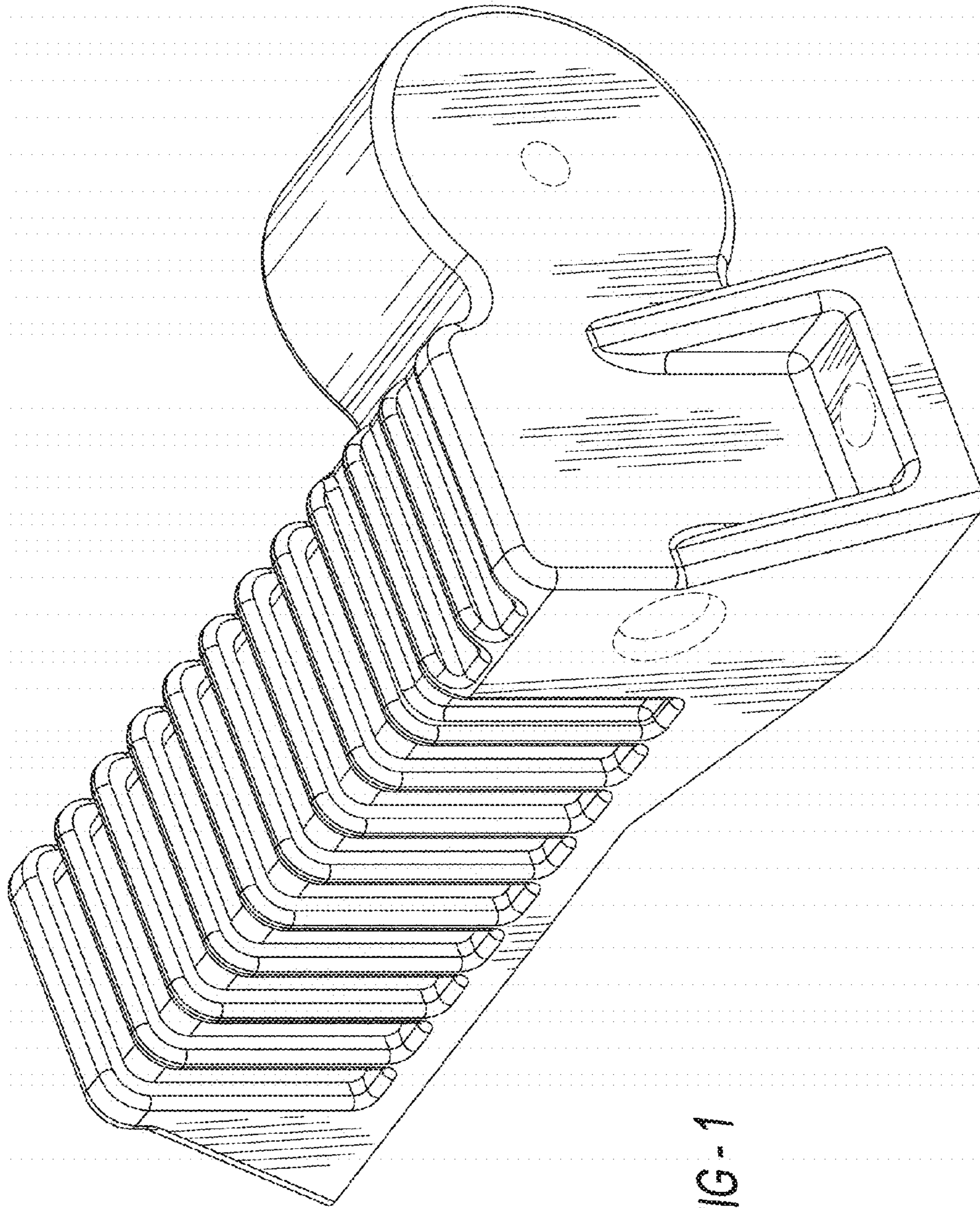


FIG - 1

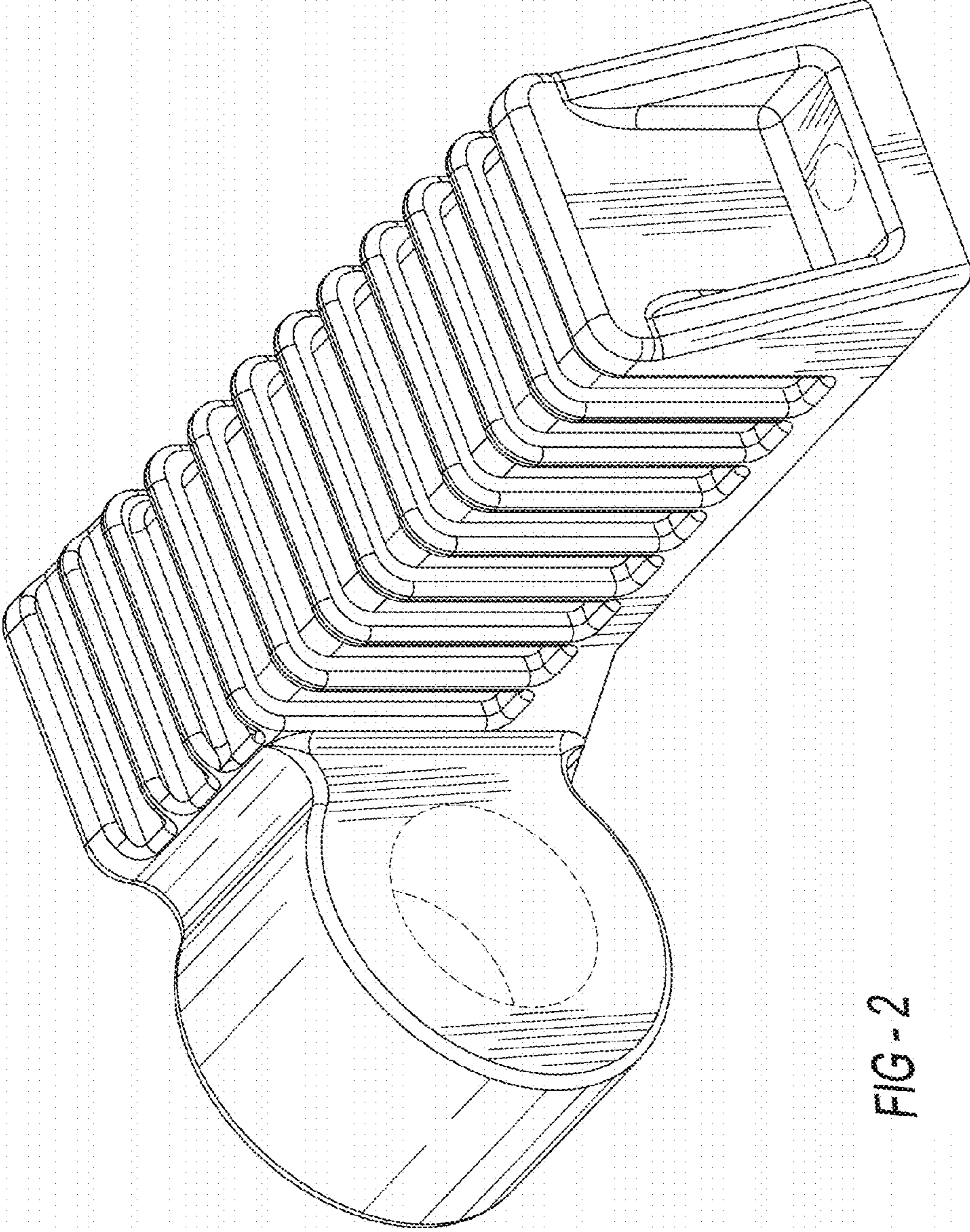
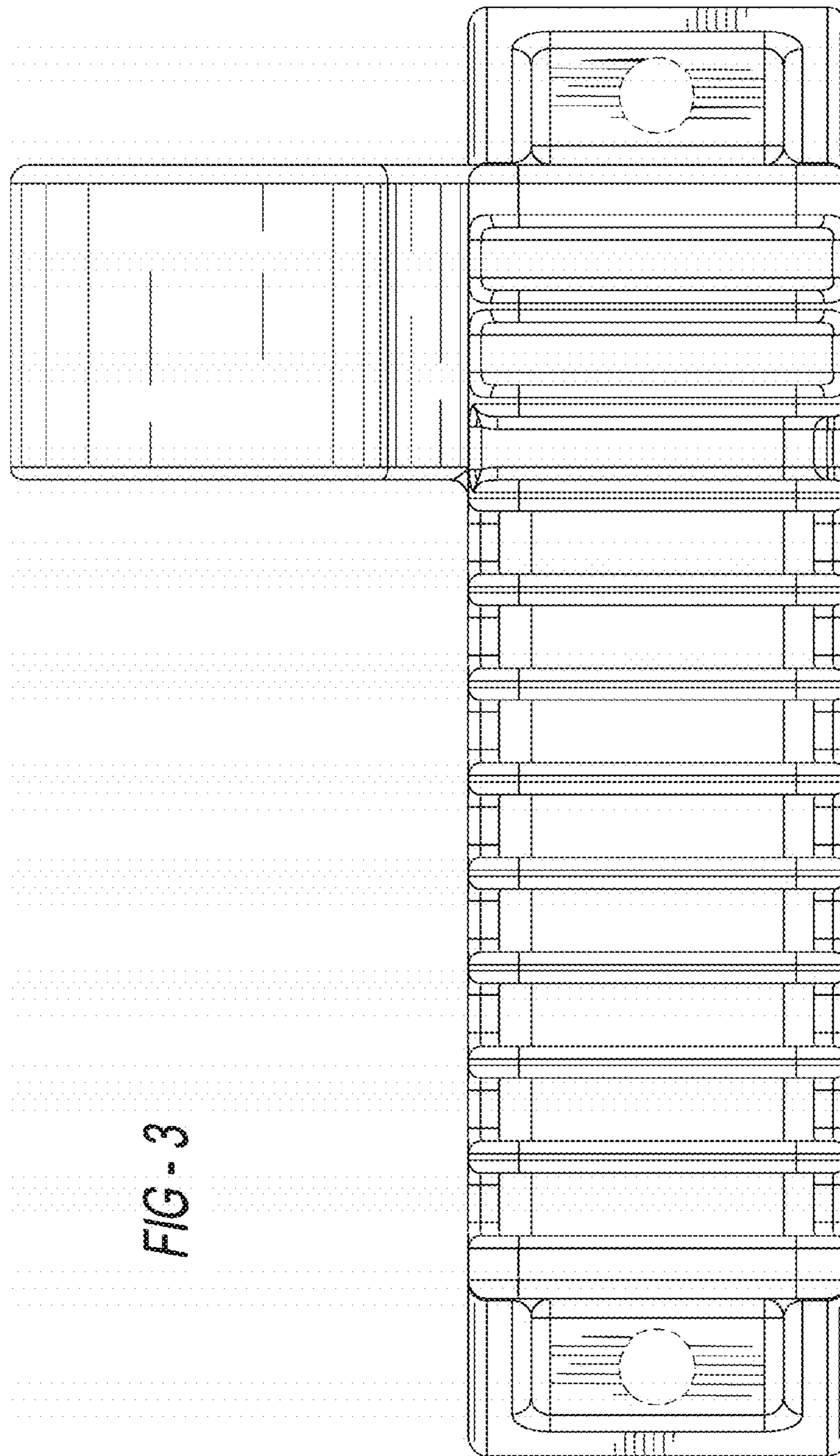


FIG-2



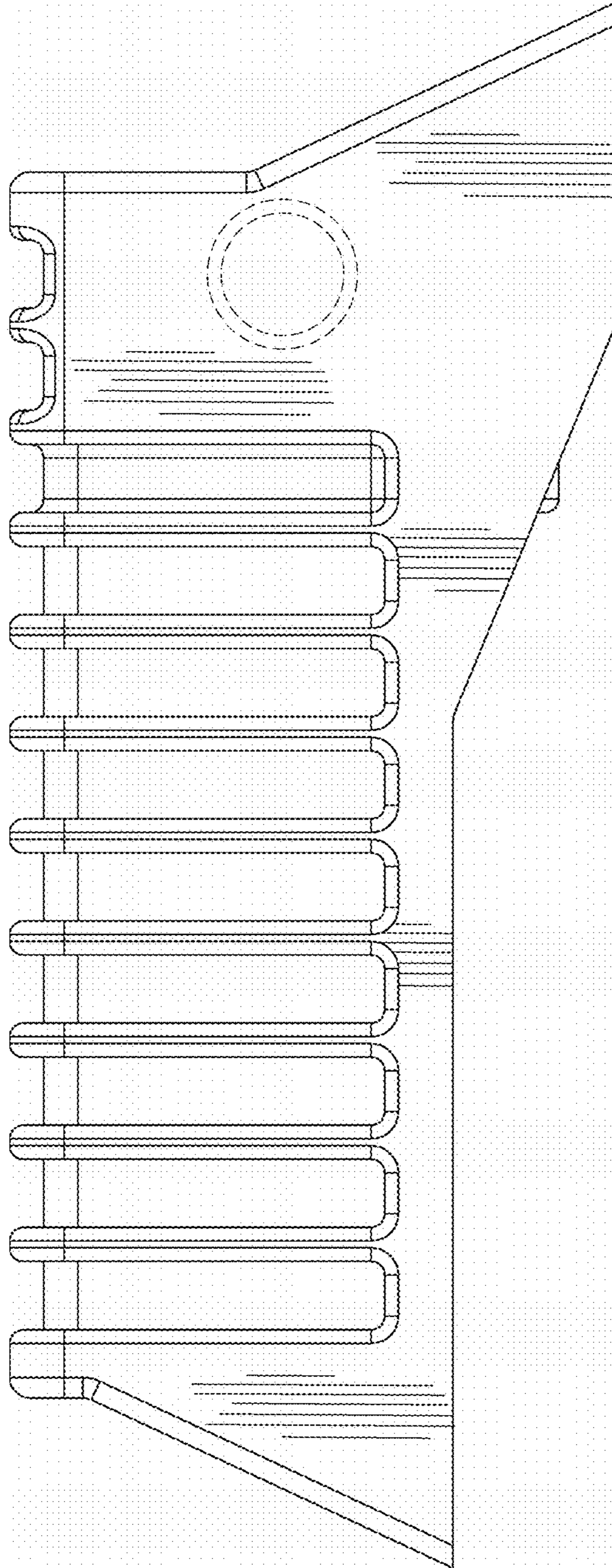


FIG-4

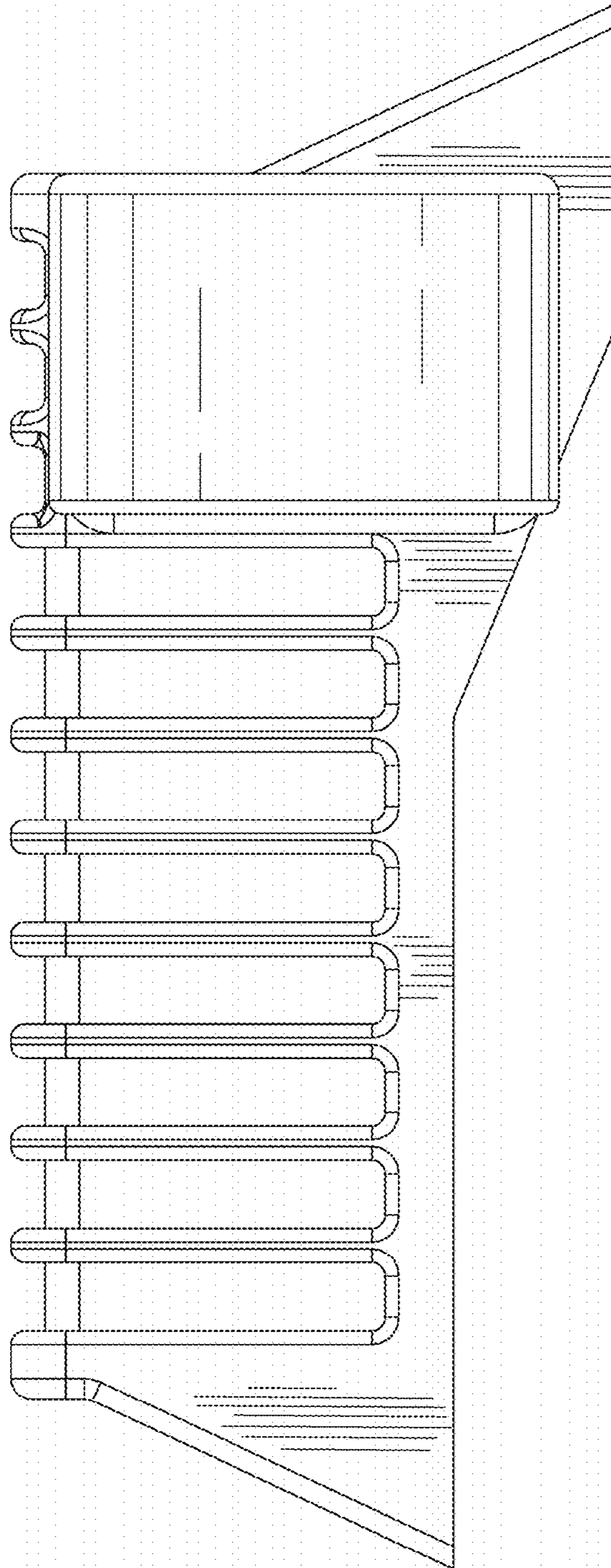


FIG - 5

FIG - 6

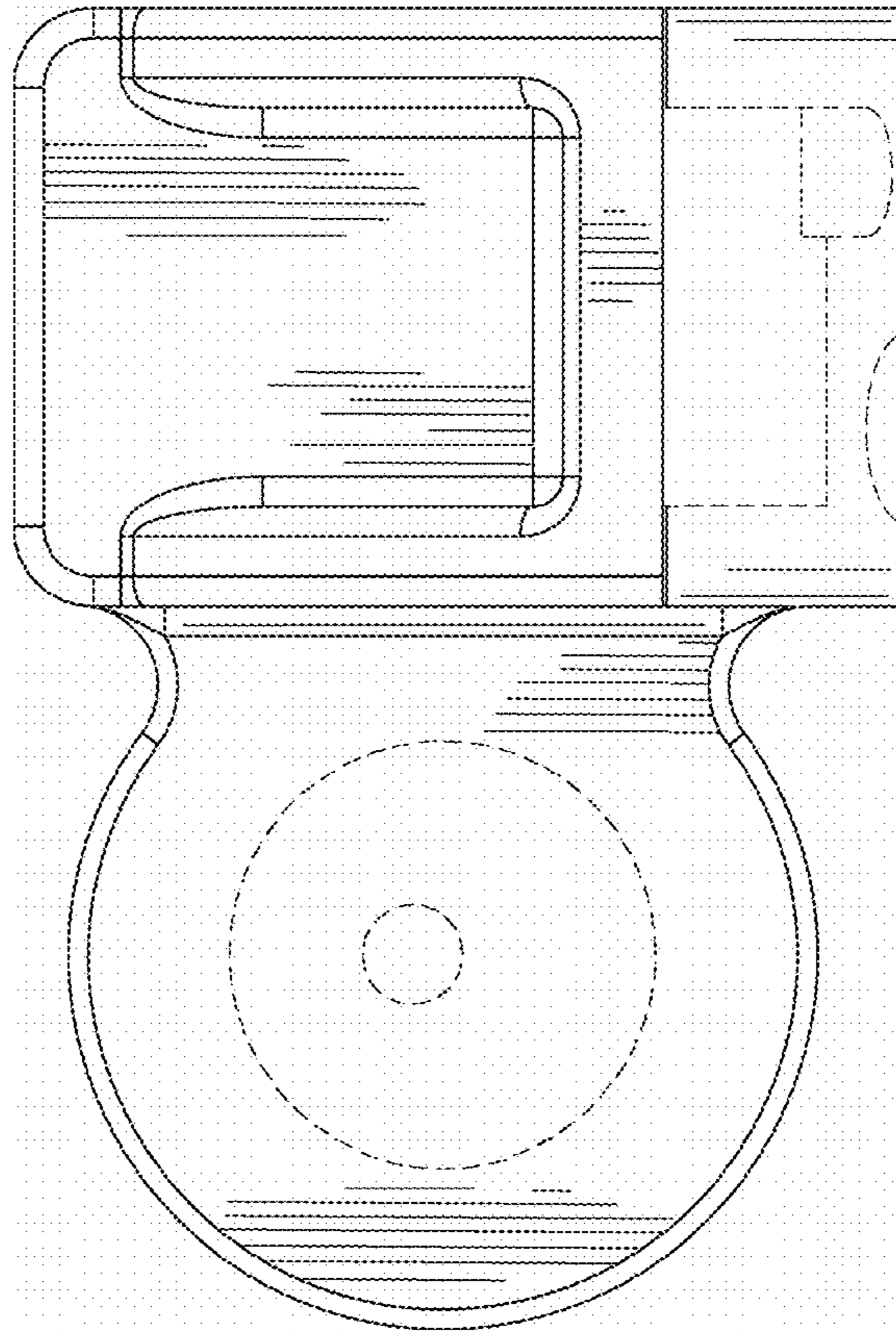


FIG - 7

