



US00D767635S

(12) **United States Design Patent**
Aglassinger et al.

(10) **Patent No.:** **US D767,635 S**
(45) **Date of Patent:** **** Sep. 27, 2016**

(54) **EQUIPMENT FOR REPRODUCTION OF SOUND**

(71) Applicant: **Robert Bosch GmbH**, Stuttgart (DE)

(72) Inventors: **Hans-Peter Aglassinger**, Esslingen (DE); **Andreas Bell**, Esslingen (DE); **Lu Bo**, Zhongshan (CN)

(73) Assignee: **Robert Bosch GmbH**, Stuttgart (DE)

(**) Term: **15 Years**

(21) Appl. No.: **29/534,112**

(22) Filed: **Jul. 27, 2015**

(30) **Foreign Application Priority Data**

Feb. 5, 2015 (EM) 002627232

(51) **LOC (10) Cl.** **14-03**

(52) **U.S. Cl.**
USPC **D14/496**

(58) **Field of Classification Search**
USPC D14/204, 204.1, 210–216, 172, 209.1, D14/496, 474, 160, 167, 168, 188, D14/203.1–203.8, 238.1, 260, 265; 181/143, 144, 147, 148, 150–153, 157, 181/198, 199, 175, 210, 211, 123–125; 381/300–306, 332, 333, 336, 345, 381/361–364, 1, 2, 61, 71.1, 73.1, 94.1
CPC H04R 1/02; H04R 1/40; H04R 1/30; H03G 3/00; H03G 5/00; G10K 11/00
See application file for complete search history.

(56) **References Cited**

U.S. PATENT DOCUMENTS

6,760,447 B1 * 7/2004 Nelson H04R 5/02 381/17
7,139,402 B2 * 11/2006 Abe H04R 3/12 381/59
D558,769 S * 1/2008 Krieger D13/108

D569,876 S * 5/2008 Griffin D13/107
7,454,022 B2 * 11/2008 Neumann H04S 1/002 381/307
D597,557 S * 8/2009 Hu D14/217
7,602,924 B2 * 10/2009 Kleen G06F 3/165 381/124
D651,618 S * 1/2012 Barley D14/496
D681,612 S * 5/2013 Palacios D14/172
D696,297 S * 12/2013 Fang D14/496
8,616,327 B1 * 12/2013 Palacios H04M 1/035 181/175
D710,386 S * 8/2014 Aglassinger D14/496
D710,898 S * 8/2014 Aglassinger D14/496

* cited by examiner

Primary Examiner — Prabhakar Deshmukh

(74) *Attorney, Agent, or Firm* — Maginot, Moore & Beck LLP

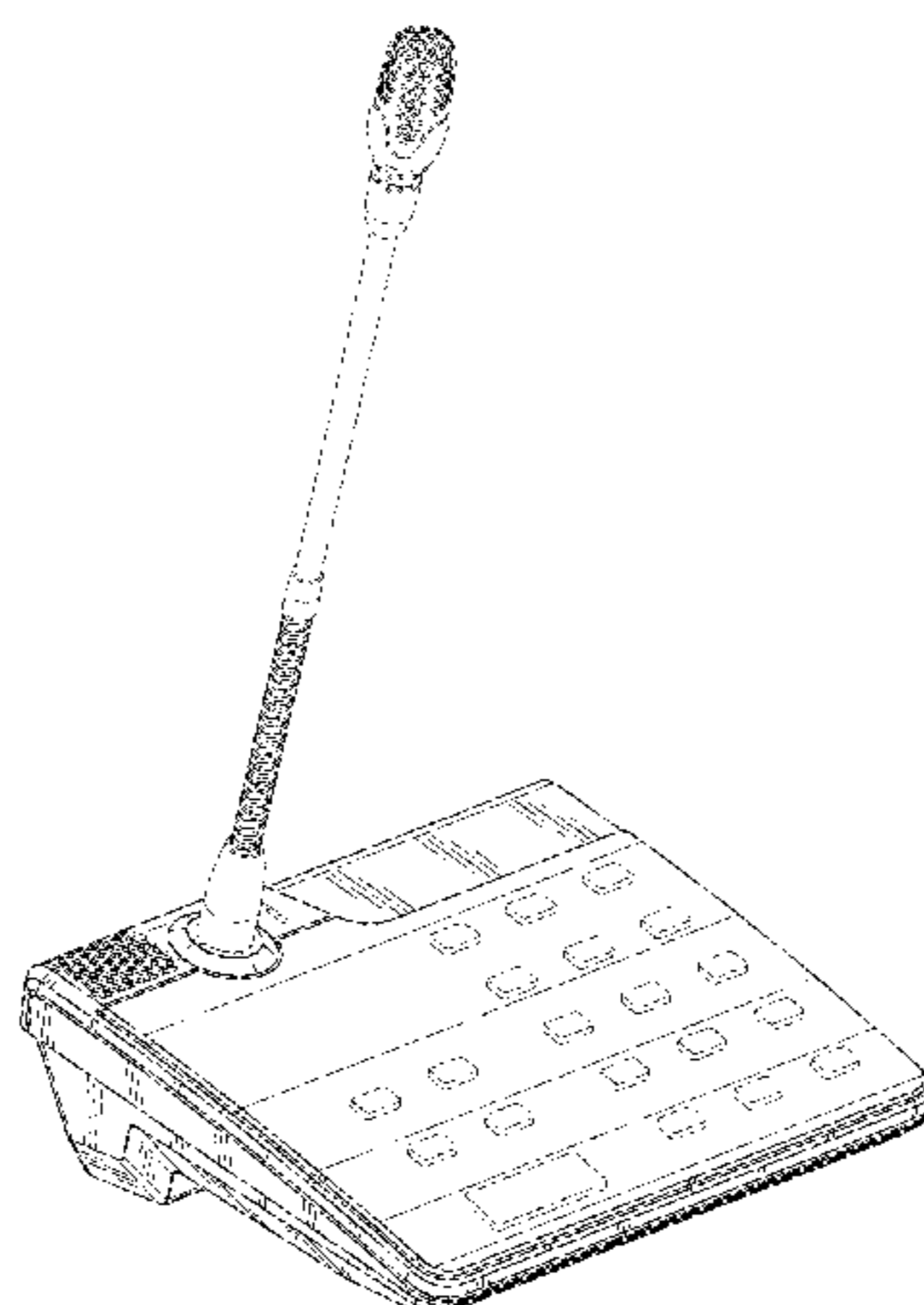
(57) **CLAIM**

The ornamental design for equipment for reproduction of sound, as shown and described.

DESCRIPTION

FIG. 1 is a front perspective view of equipment for reproduction of sound showing our new design;
FIG. 2 is a right side elevational view showing the design for the equipment for reproduction of sound of FIG. 1;
FIG. 3 is a left side elevational view showing the design for the equipment for reproduction of sound of FIG. 1;
FIG. 4 is a rear elevational view showing the design for the equipment for reproduction of sound of FIG. 1;
FIG. 5 is a front elevational view showing the design for the equipment for reproduction of sound of FIG. 1;
FIG. 6 is a top plan view showing the design for the equipment for reproduction of sound of FIG. 1; and,
FIG. 7 is a bottom plan view showing the design for the equipment for reproduction of sound of FIG. 1.
The broken lines shown in the drawings illustrate portions of the equipment for reproduction of sound that form no part of the claimed design.

1 Claim, 7 Drawing Sheets



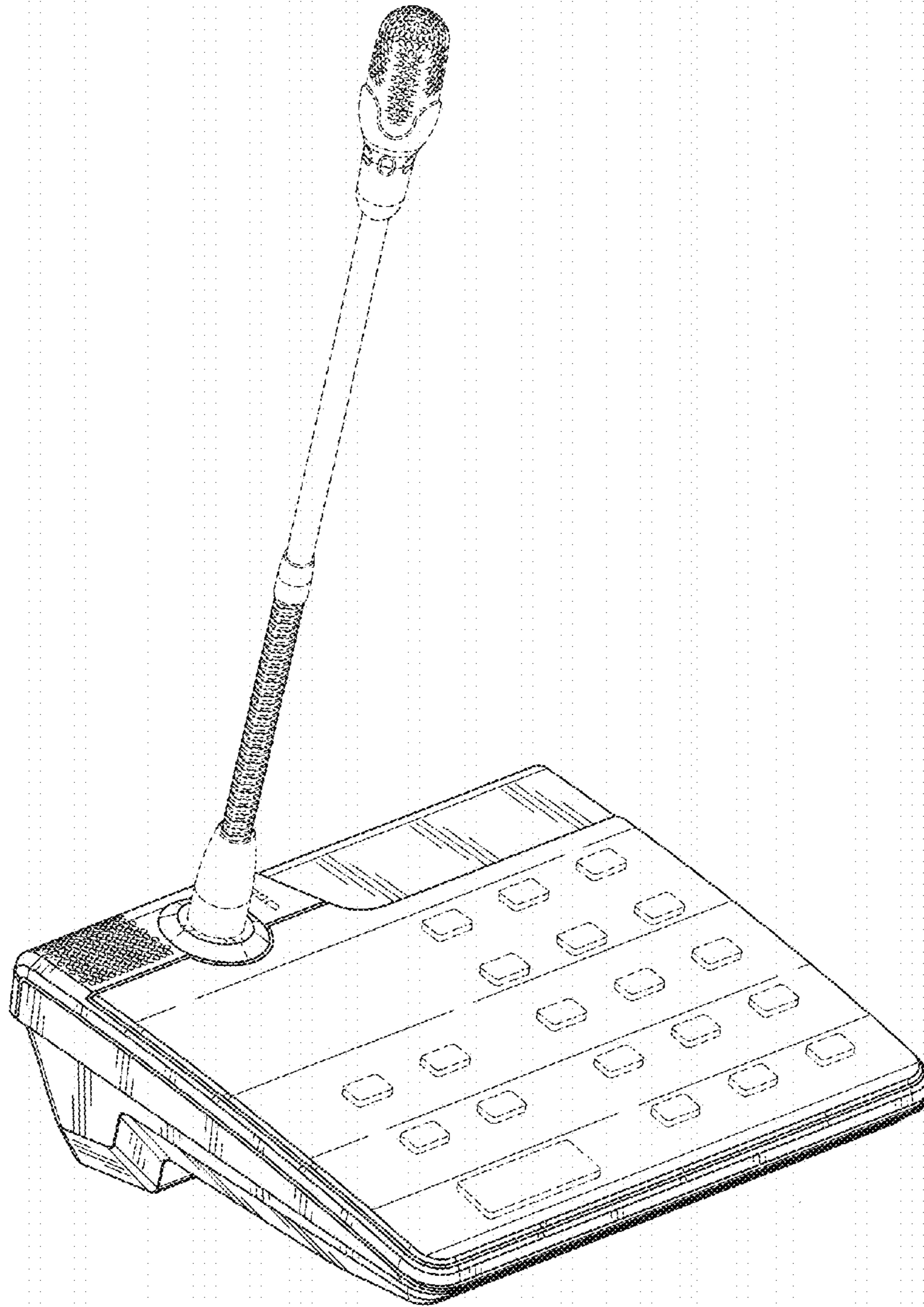


Fig. 1

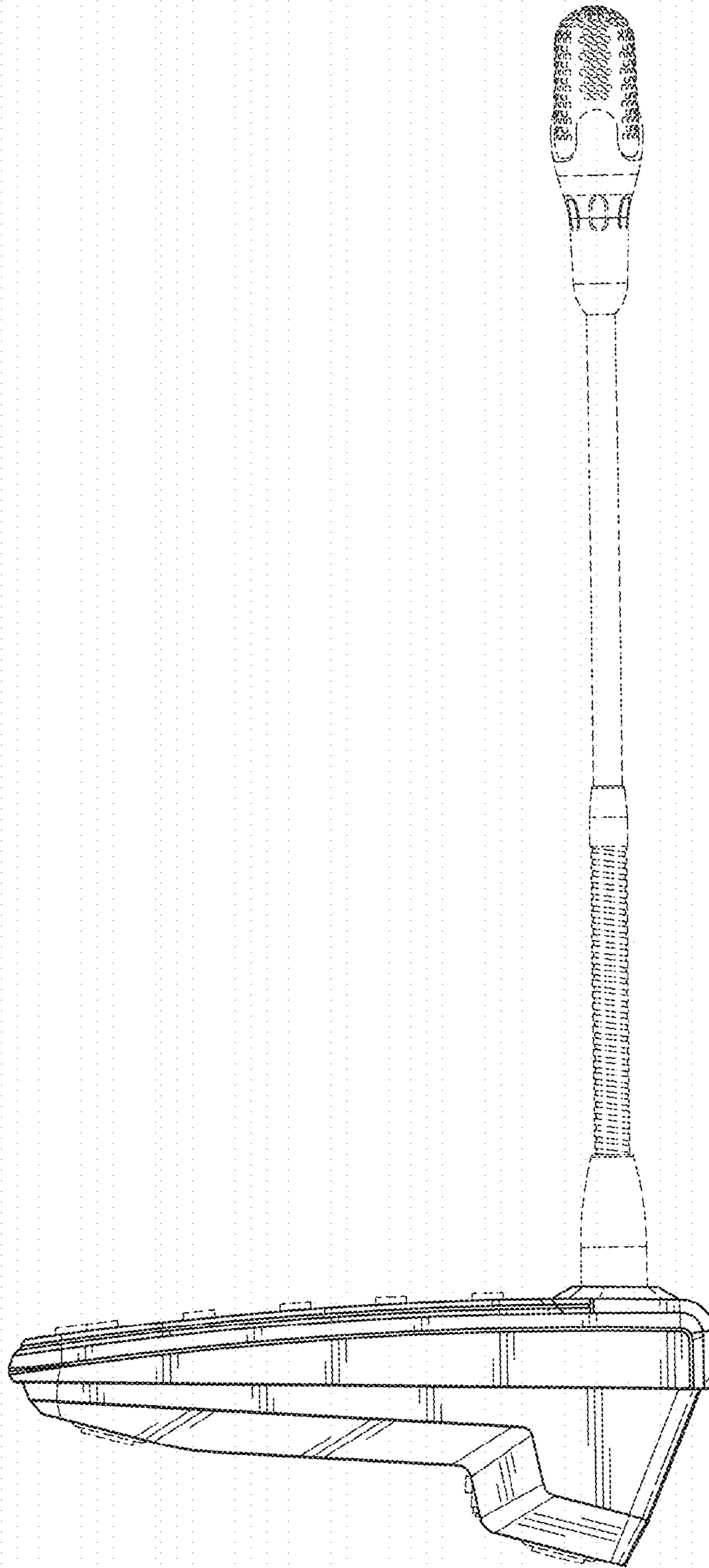


Fig. 2

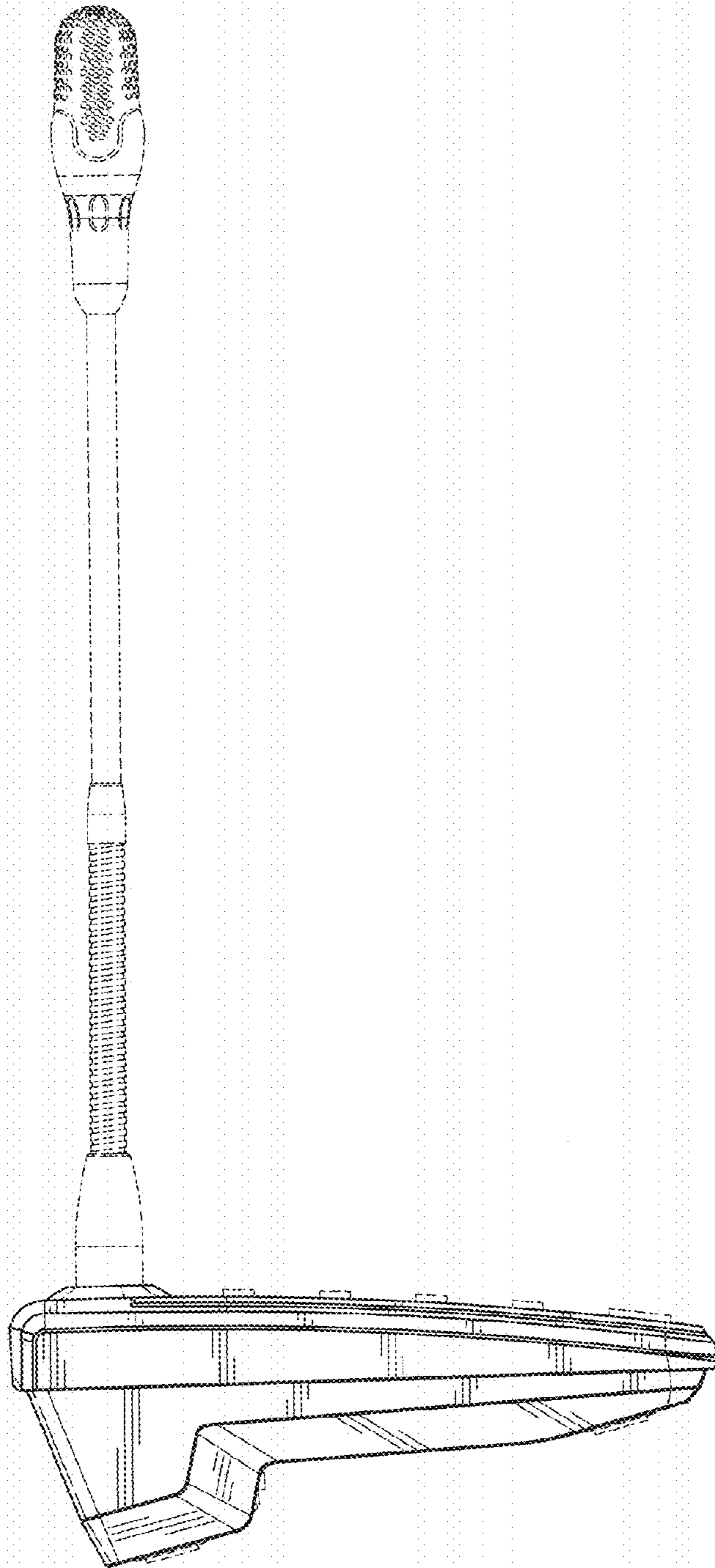


Fig. 3

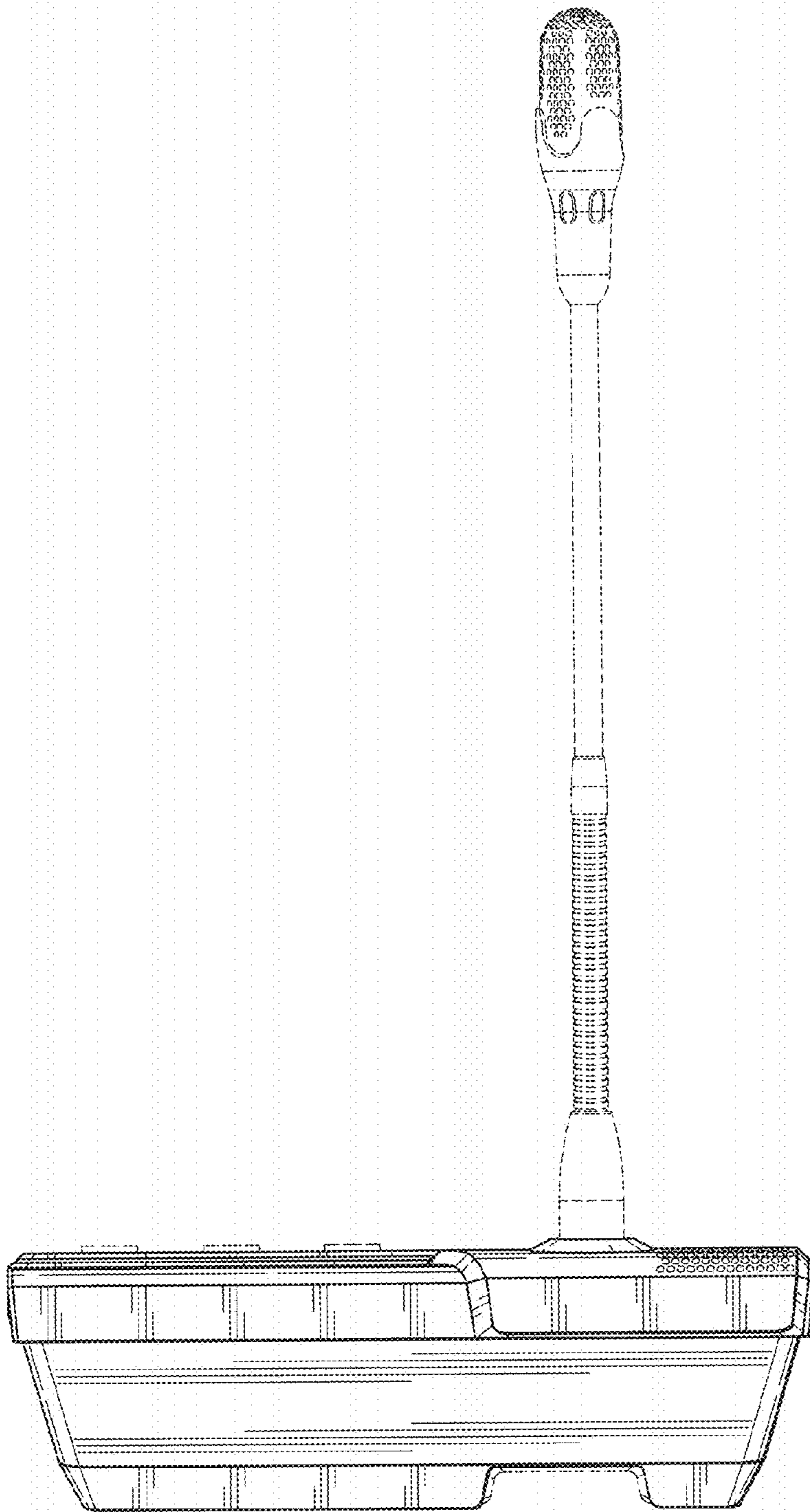


Fig. 4

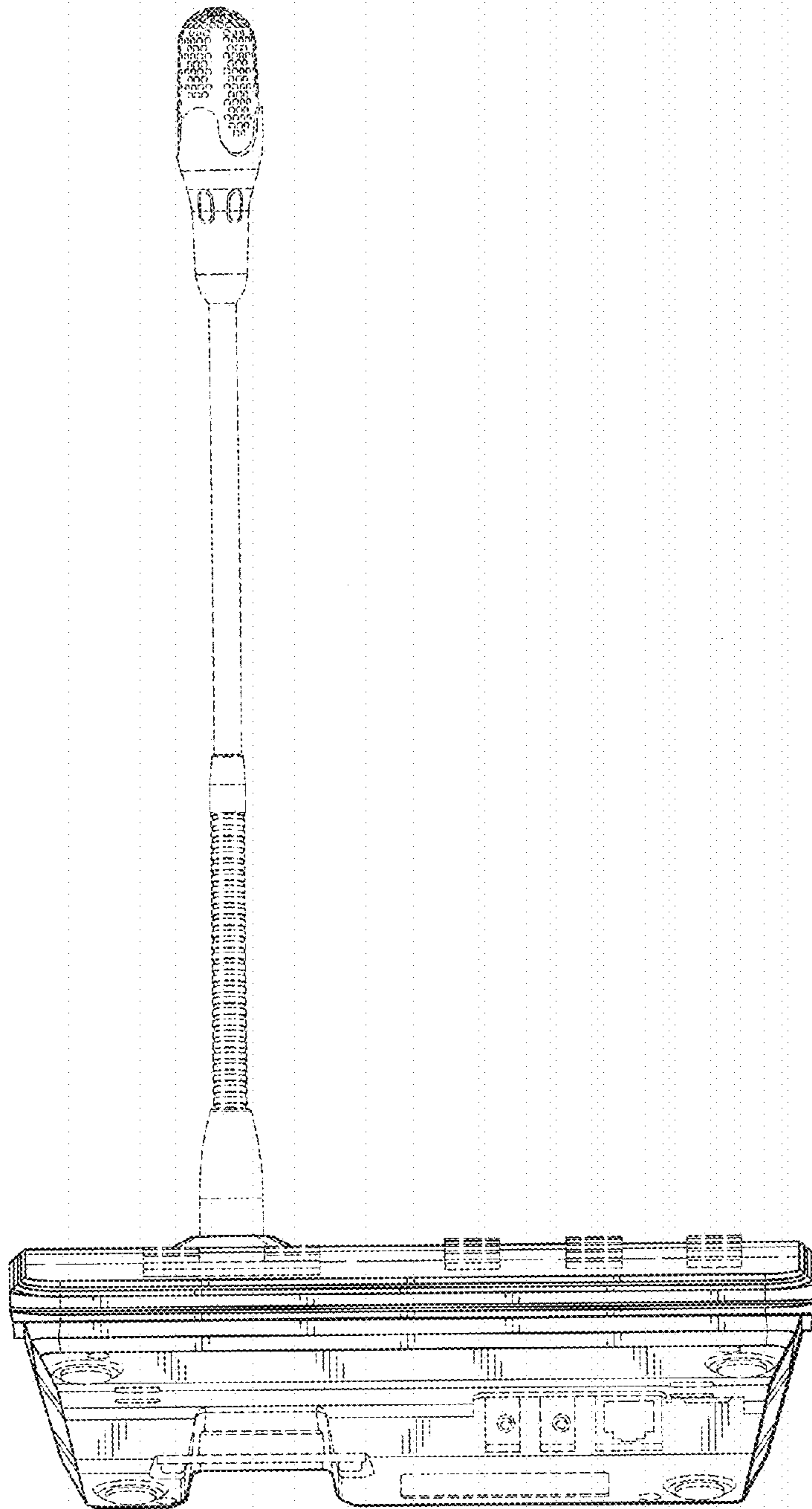


Fig. 5

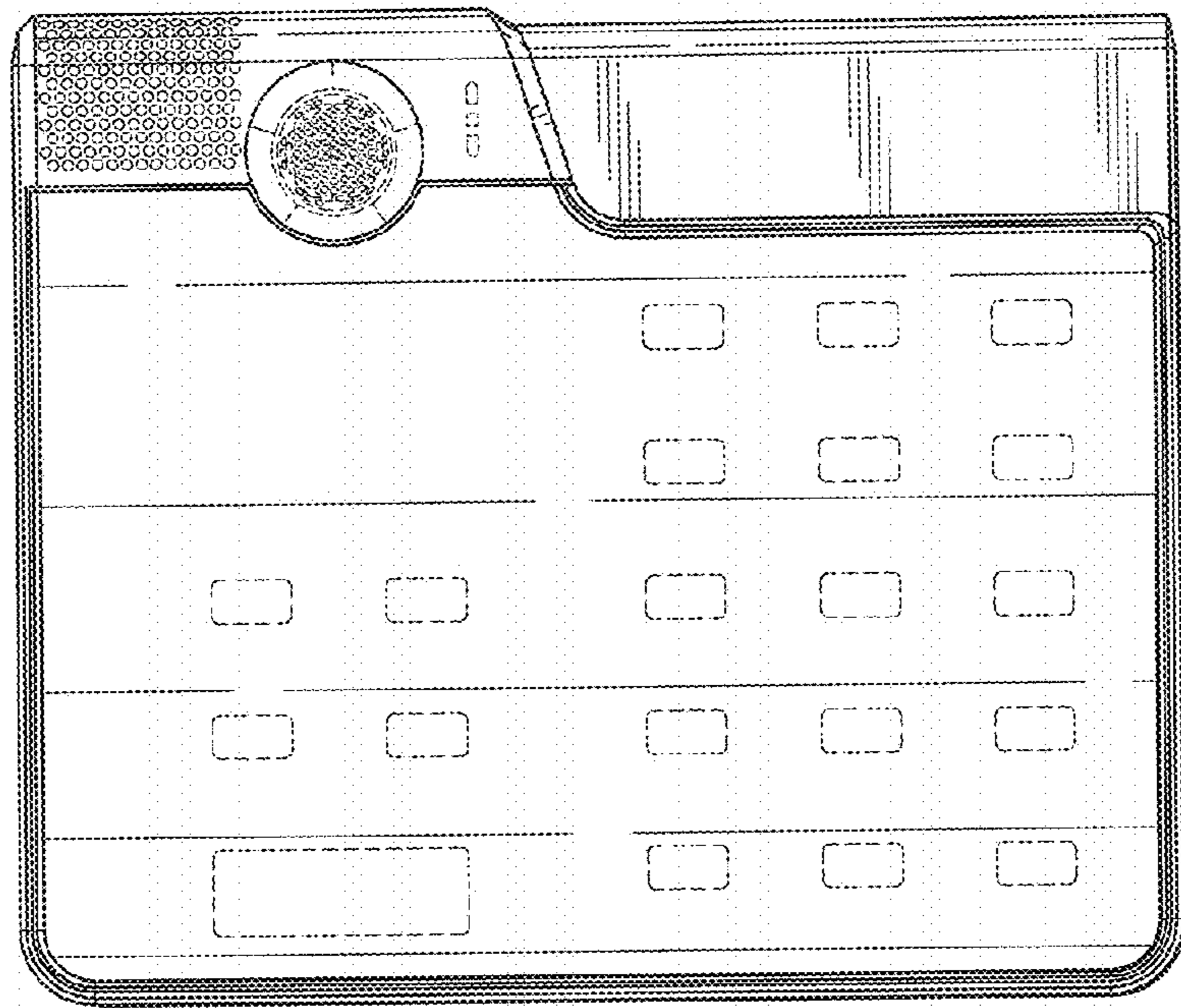


Fig. 6

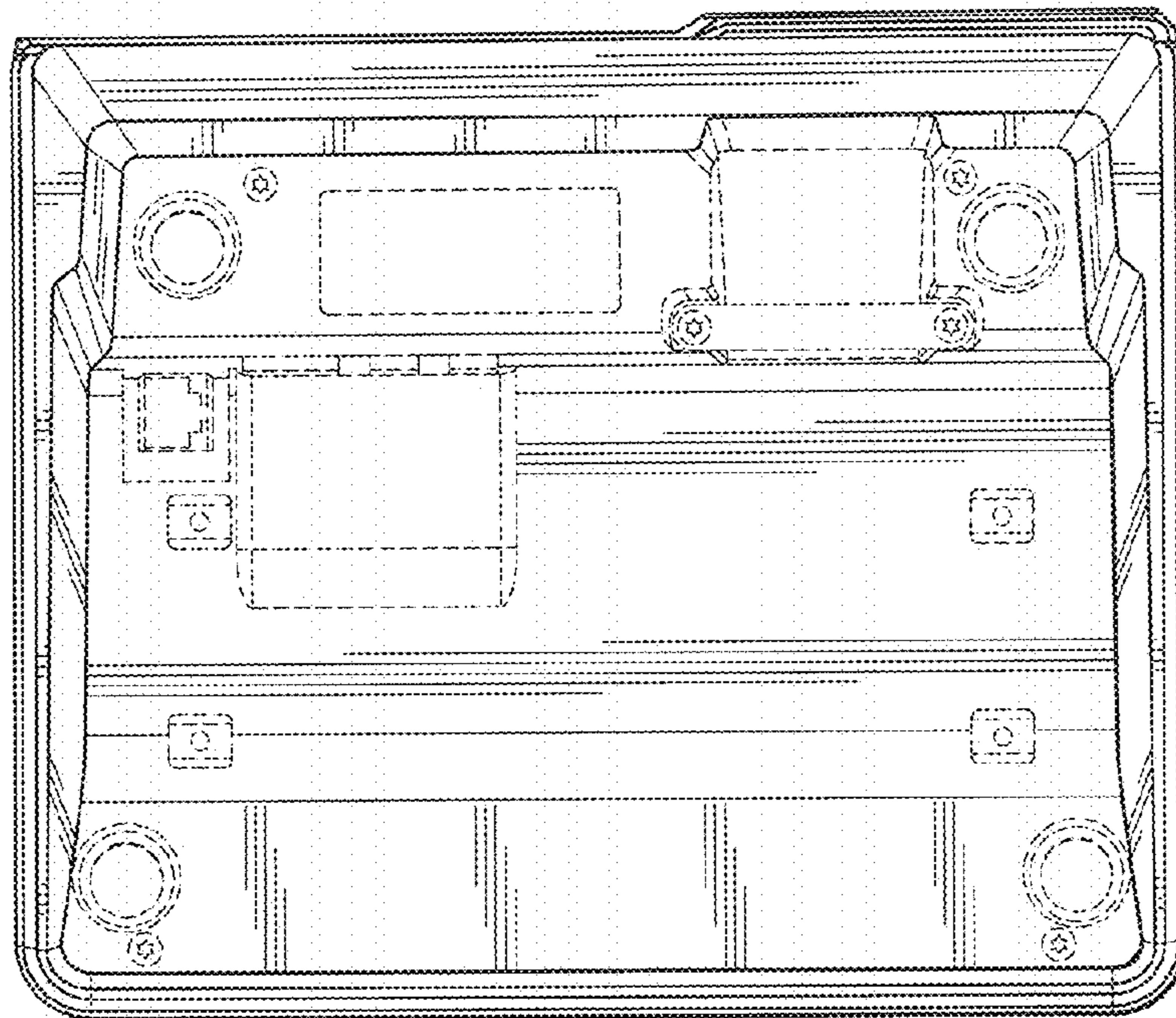


Fig. 7