



US00D767629S

(12) **United States Design Patent** (10) **Patent No.:** **US D767,629 S**
Gupta et al. (45) **Date of Patent:** **** Sep. 27, 2016**

(54) **DISPLAY SCREEN WITH ANIMATED GRAPHICAL USER INTERFACE**

9,307,224 B2 * 4/2016 Ko G06F 3/04847
 D756,401 S * 5/2016 Soldner D14/488
 2008/0168404 A1 * 7/2008 Ording G06F 3/0485
 715/863

(71) Applicant: **Health Care Service Corporation,**
 Chicago, IL (US)

(Continued)

(72) Inventors: **Ruchira Gupta,** Chicago, IL (US);
Patrick Feeney, Vernon Hills, IL (US);
Corey Bieber, Naperville, IL (US);
Christopher Losacco, Chicago, IL
 (US); **Tatyana Golubeva,** Chicago, IL
 (US)

OTHER PUBLICATIONS

Giphy | Gifs | Trippy Psychedelic LSD, posted on Sep. 25, 2014, no
 copyright date posted [online], [site visited Jun. 7, 2016]. Available
 from Internet, <URL: <http://giphy.com/gifs/trippy-psychedelic-lsd-zMN7e93dERaKY>>.*

(Continued)

(73) Assignee: **HEALTH CARE SERVICES CORPORATION,** Chicago, IL (US)

Primary Examiner — Cathron Brooks

Assistant Examiner — Cary M Robinson

(**) Term: **15 Years**

(74) *Attorney, Agent, or Firm* — McDermott Will & Emery
 LLP

(21) Appl. No.: **29/534,176**

(22) Filed: **Jul. 27, 2015**

(51) **LOC (10) Cl.** **14-04**

(52) **U.S. Cl.**
 USPC **D14/492; D14/495**

(58) **Field of Classification Search**
 USPC D14/485–495
 CPC G06F 3/0481; G06F 3/04845; G06F
 3/04817; G06F 17/212; G06T 13/80; G06T
 15/02; H04N 1/00424
 See application file for complete search history.

(57) **CLAIM**

We claim the ornamental design for a display screen with
 animated graphical user interface, as shown and described.

DESCRIPTION

FIG. 1 is a first image in a sequence for a display screen with
 animated graphical user interface showing the new design;
 FIG. 2 is a second image thereof;
 FIG. 3 is a third image thereof;
 FIG. 4 is a fourth image thereof;
 FIG. 5 is a fifth image thereof;
 FIG. 6 is a sixth image thereof;
 FIG. 7 is a seventh image thereof; and,
 FIG. 8 is an eighth image thereof.

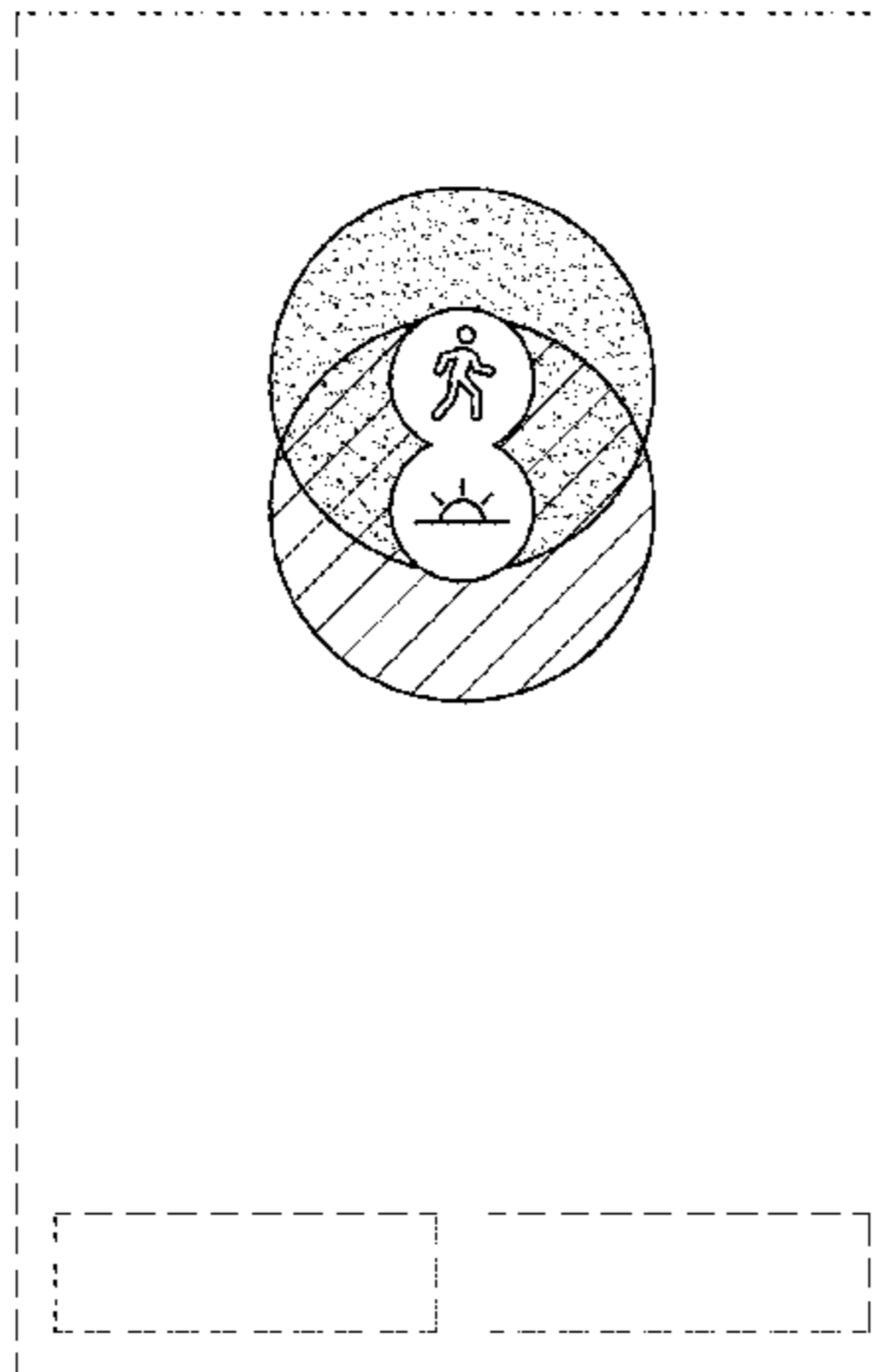
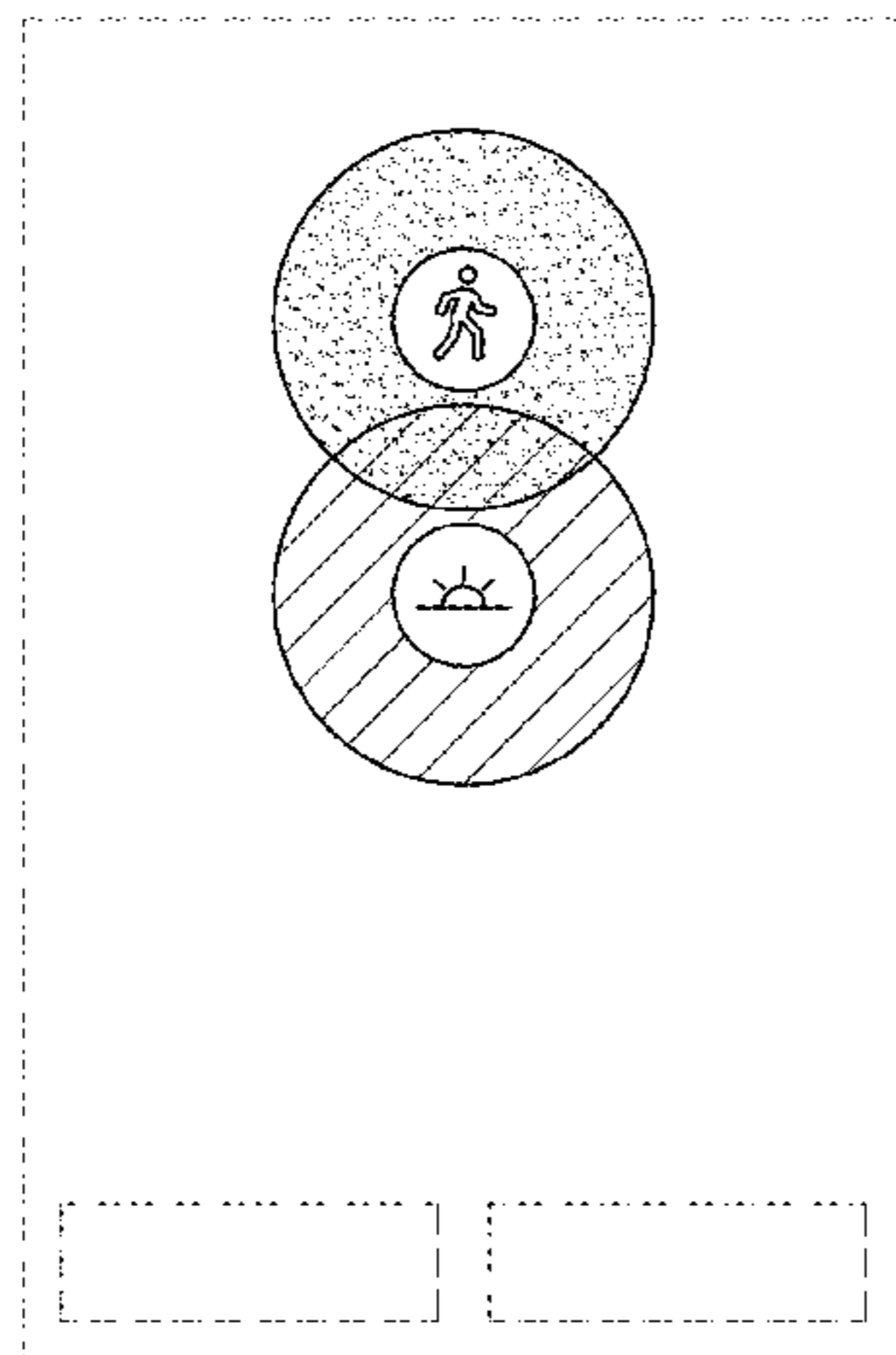
The appearance of the animated image on the display screen
 sequentially transitions between the images shown in FIGS.
1-8. The process in which, and the period during which, one
 image transitions to another image forms no part of the
 claimed design. The outermost broken line illustrates a
 display screen and the remainder of the broken lines illus-
 trate portions of the animated graphical user interface. None
 of the broken lines form part of the claimed design.

1 Claim, 4 Drawing Sheets

(56) **References Cited**

U.S. PATENT DOCUMENTS

D603,421	S	*	11/2009	Ebeling	D14/489
D604,325	S	*	11/2009	Ebeling	D14/489
D607,008	S	*	12/2009	Kocmick	D14/489
D607,010	S	*	12/2009	Kocmick	D14/491
D638,842	S	*	5/2011	Woods	D14/486
D650,805	S	*	12/2011	Impas	D14/495
D738,927	S	*	9/2015	Mahaffey	D14/495
D744,528	S	*	12/2015	Agrawal	D14/488
D744,539	S	*	12/2015	Brunner	D14/495
D749,639	S	*	2/2016	Lim	D14/495
D752,104	S	*	3/2016	Lee	D14/494



(56)

References Cited

U.S. PATENT DOCUMENTS

2012/0137236	A1*	5/2012	Abe	G06F 3/0482 715/763
2014/0250377	A1*	9/2014	Bisca	G06F 17/30011 715/705
2015/0145796	A1*	5/2015	Lee	G06F 3/0414 345/173
2015/0301709	A1*	10/2015	Chambers	G06F 3/0485 715/716
2015/0339044	A1*	11/2015	Matsuda	G06F 3/0488 715/702
2016/0041720	A1*	2/2016	Liang	G06F 3/04817 715/765
2016/0070400	A1*	3/2016	Weng	G06F 3/041 345/173

OTHER PUBLICATIONS

Giphy | Gifs | Abstract Geometry Circles, posted on Jan. 22, 2015, no copyright date posted [online], [site visited Jun. 7, 2016]. Available from Internet, <URL: <http://giphy.com/gifs/nu1166913-abstract-geometry-circles-3rgXBGK0qcVwY1B20g>>.*

Imgur | Buffering Circles—Finale, posted on May 31, 2016, no copyright date posted [online], [site visited Jun. 7, 2016]. Available from Internet, <URL: <https://imgur.com/ZScLrfV>>.*

Nick Meek, posted on Dec. 16, 2014, no copyright date posted [online], [site visited Jun. 7, 2016]. Available from Internet, <URL: <http://www.nickmeek.com/>>.*

* cited by examiner

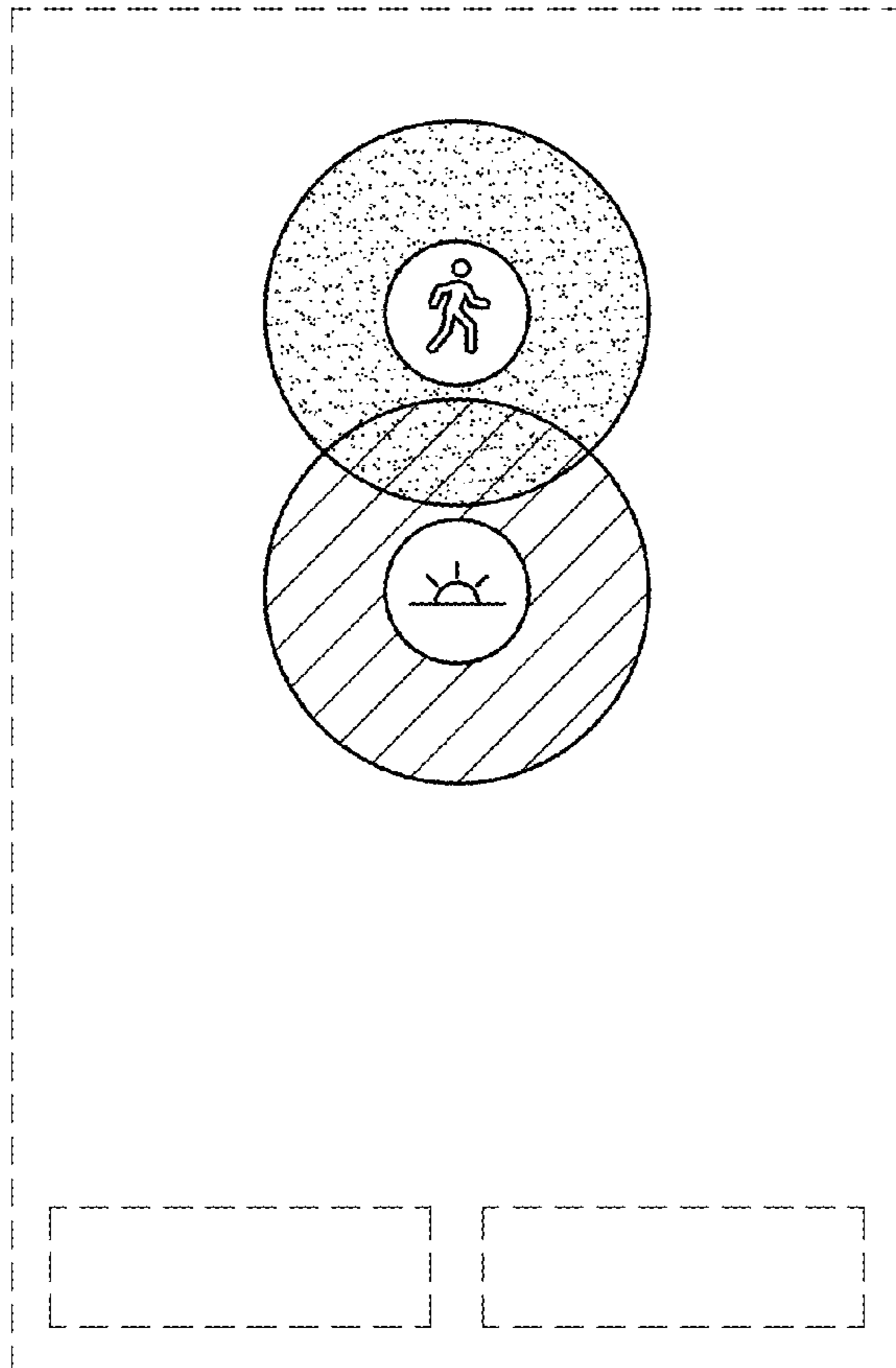


FIG. 1

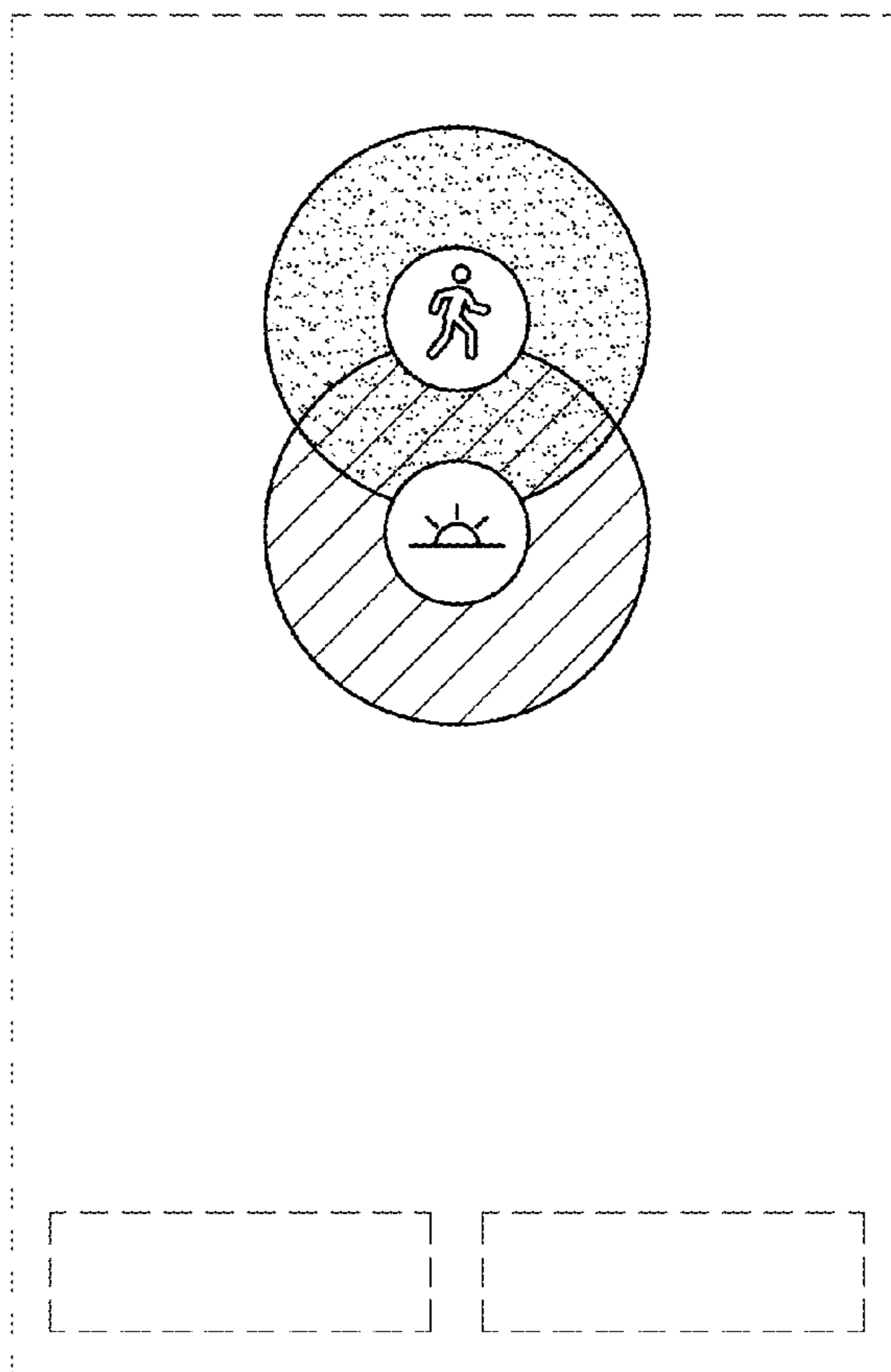


FIG. 2

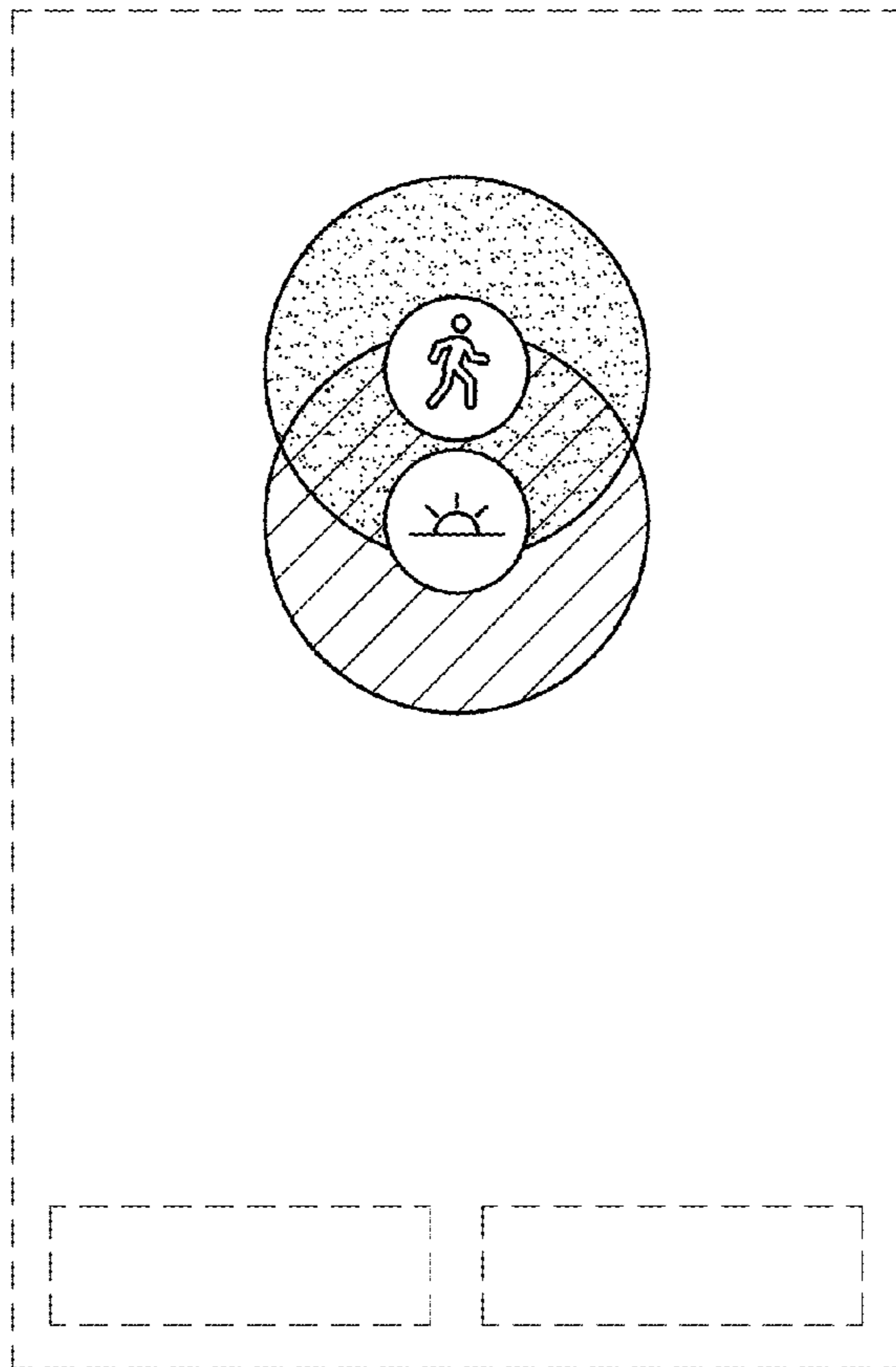


FIG. 3

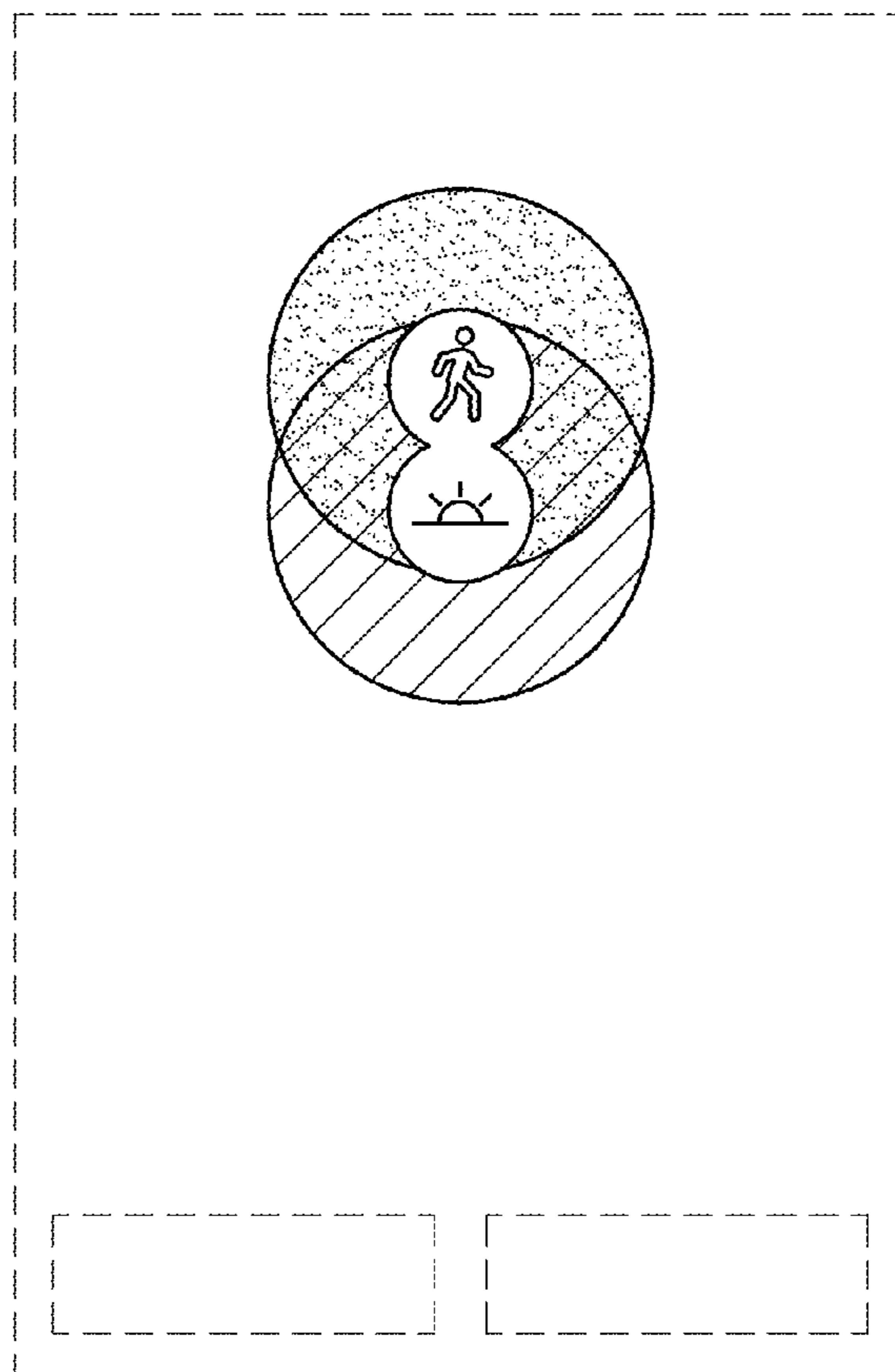


FIG. 4

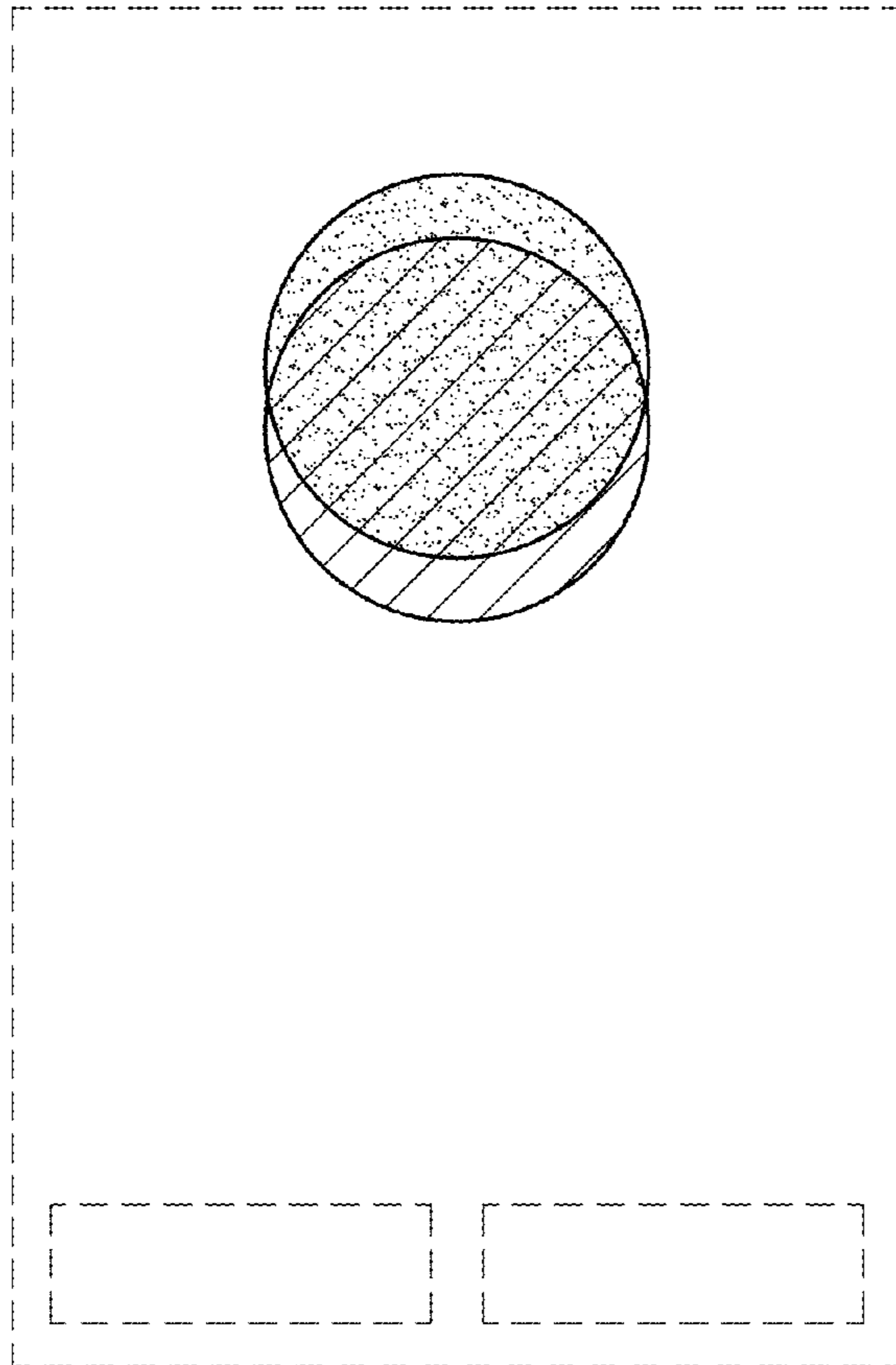


FIG. 5

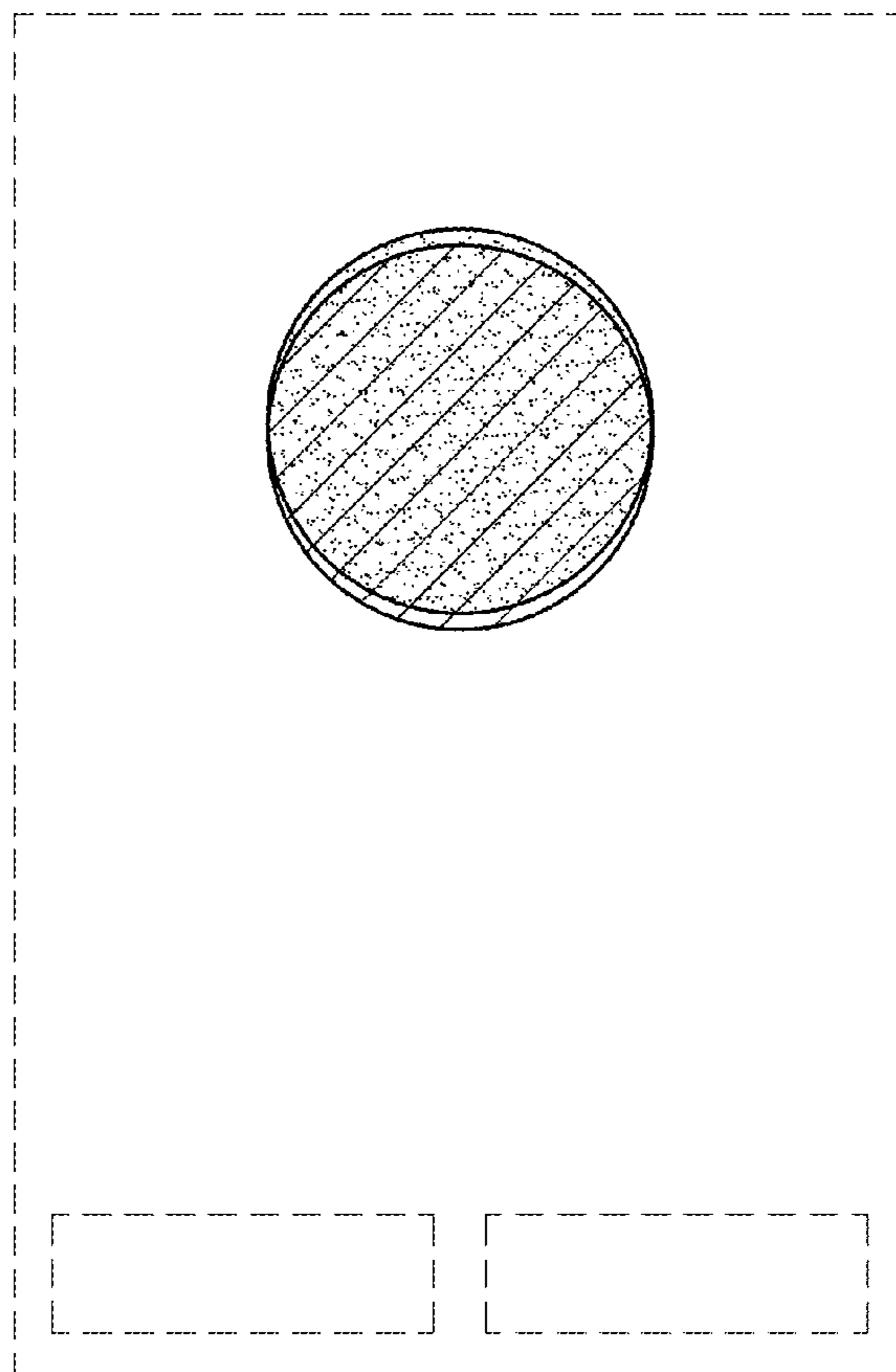


FIG. 6

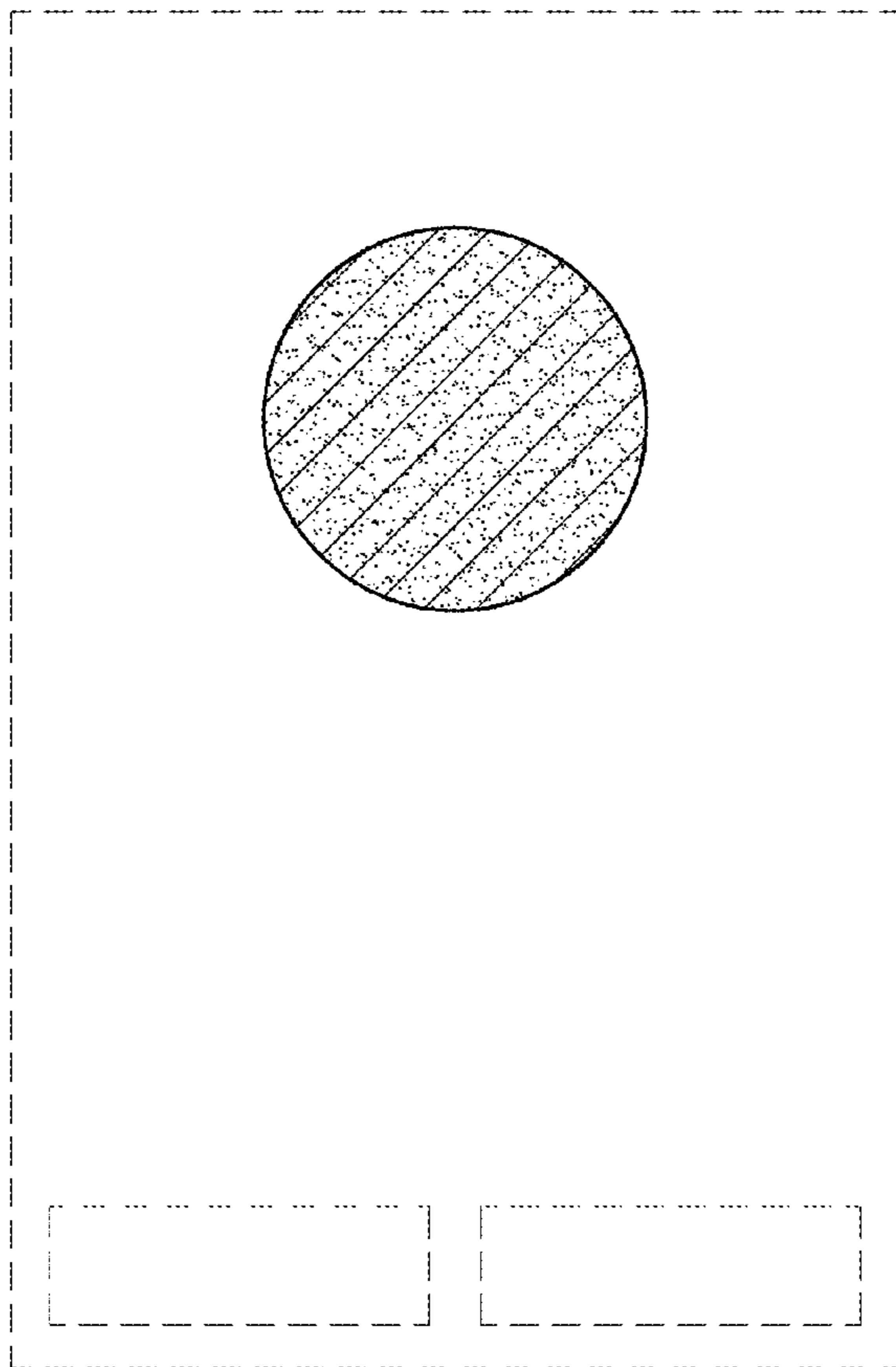


FIG. 7

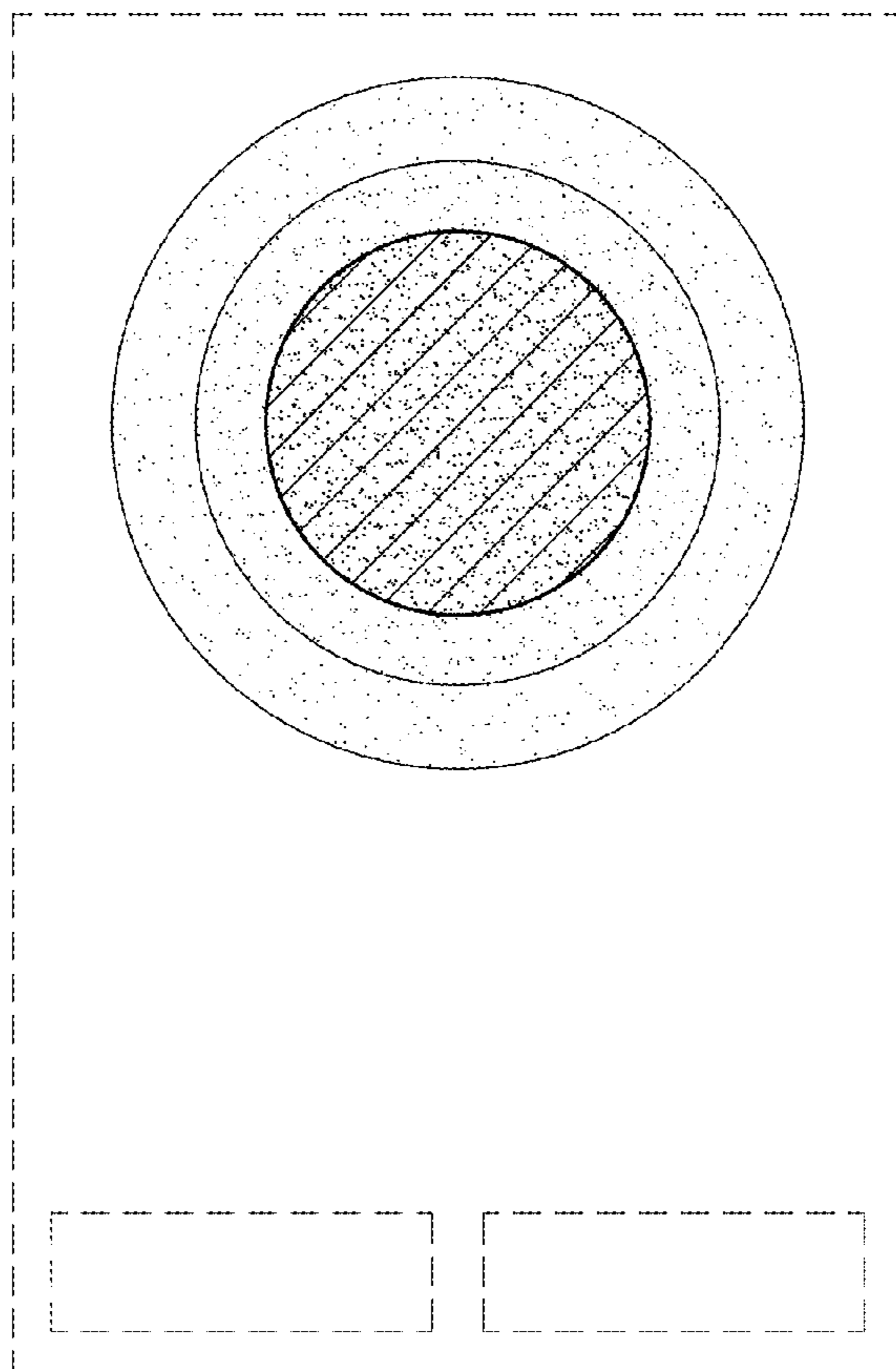


FIG. 8