



US00D767613S

(12) **United States Design Patent**
Bauer

(10) **Patent No.:** **US D767,613 S**

(45) **Date of Patent:** **** Sep. 27, 2016**

(54) **DISPLAY SCREEN WITH ANIMATED GRAPHICAL USER INTERFACE**

(71) Applicant: **Microsoft Corporation**, Redmond, WA (US)

(72) Inventor: **Nicolas Bauer**, Kenmore, WA (US)

(73) Assignee: **Microsoft Corporation**, Redmond, WA (US)

(**) Term: **14 Years**

(21) Appl. No.: **29/525,733**

(22) Filed: **May 1, 2015**

(51) **LOC (10) Cl.** **14-04**

(52) **U.S. Cl.**
USPC **D14/486**

(58) **Field of Classification Search**
USPC D14/485-495
CPC A63F 2300/5553; G06F 3/0481;
G06F 3/0482; G06F 3/0485; G06F 17/30053;
G10H 1/0008; G06N 3/006; H04N 1/00408
See application file for complete search history.

(56) **References Cited**

U.S. PATENT DOCUMENTS

D529,040 S	9/2006	Stabb	
D582,937 S	12/2008	Chen et al.	
D651,608 S *	1/2012	Allen	D14/485
D655,719 S	3/2012	Zaman et al.	
D658,675 S *	5/2012	Gleasant	D14/488
D664,987 S	8/2012	Gleasant et al.	
D668,671 S	10/2012	Zaman et al.	
D670,726 S	11/2012	Bitran et al.	
D684,988 S	6/2013	Gardner et al.	
D687,051 S	7/2013	Gardner et al.	
D688,691 S *	8/2013	Gleasant	D14/488
D689,079 S	9/2013	Edwards et al.	
D689,080 S	9/2013	Edwards et al.	
D701,866 S *	4/2014	Pearson	D14/485
D704,726 S *	5/2014	Maxwell	D14/486
D705,244 S *	5/2014	Arnold	D14/486

D719,187 S *	12/2014	Arnold	D14/488
D727,959 S *	4/2015	Paglia	D14/485
9,015,641 B2 *	4/2015	Bocking	G06F 3/017 715/863
D730,389 S *	5/2015	Izotov	D14/488

(Continued)

OTHER PUBLICATIONS

13 Incredible UI animation in GIFs, posted at thegrid.soup.io, posted Oct. 25, 2013, [site visited May 11, 2016]. Available from internet:<<http://thegrid.soup.io/tag/UI?shorten=160104&since=362323722>>.*

(Continued)

Primary Examiner — Barbara Fox

Assistant Examiner — Alyse Joseph

(74) *Attorney, Agent, or Firm* — Banner & Witcoff, Ltd.

(57) **CLAIM**

The ornamental design for a display screen with animated graphical user interface, as shown and described.

DESCRIPTION

FIG. 1 is the first image in a sequence for a display screen with animated graphical user interface showing my new design;

FIG. 2 is the second image thereof;

FIG. 3 is the third image thereof;

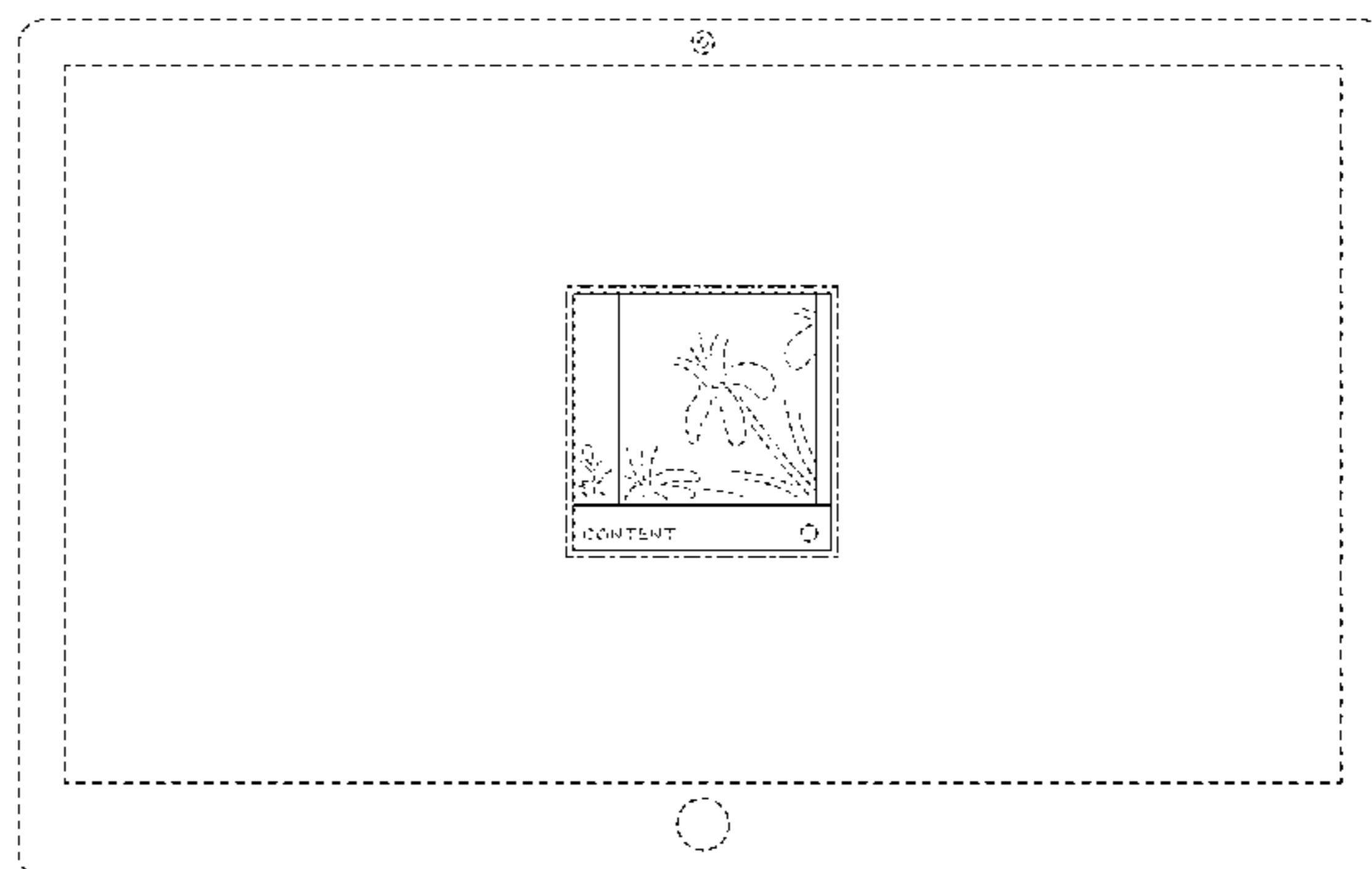
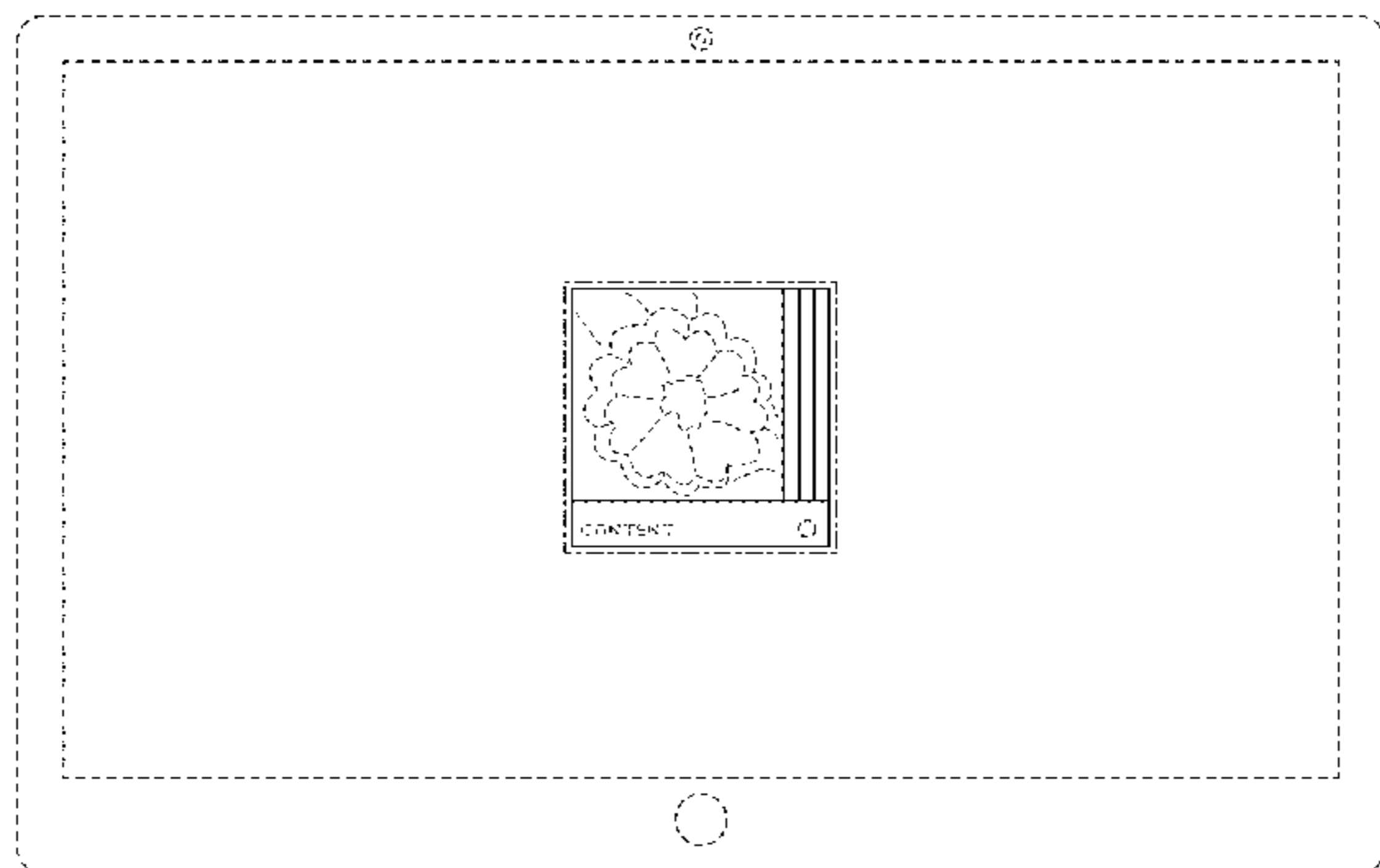
FIG. 4 is the fourth image thereof;

FIG. 5 is the fifth image thereof; and,

FIG. 6 is the sixth image thereof.

The appearance of the animated graphical user interface sequentially transitions between the images shown in FIGS. 1-6. The process or period in which one image transitions to another forms no part of the claimed design. The dot-dash lines in the figure illustrate the bounds of the claim. The dash-dash broken line showing of a display device illustrates environment. The remaining broken lines illustrate portions of the display screen with animated graphical user interface. The broken lines form no part of the claimed design.

1 Claim, 6 Drawing Sheets



(56)

References Cited

U.S. PATENT DOCUMENTS

9,063,631 B2 * 6/2015 Laukkanen G06F 3/0481
 9,098,168 B2 * 8/2015 Matas G06T 11/60
 D738,394 S * 9/2015 Chaudhri D14/486
 D738,910 S * 9/2015 Drozd D14/488
 D741,885 S * 10/2015 Gomez D14/486
 D742,901 S * 11/2015 Choi D14/486
 D746,866 S * 1/2016 Memoria D14/492
 D747,741 S * 1/2016 Paniaras D14/492
 D748,147 S * 1/2016 Capela D14/491
 D749,124 S * 2/2016 Danton D14/488
 D749,622 S * 2/2016 Chaudhri D14/488
 D754,169 S * 4/2016 Kaplan D14/486
 9,307,224 B2 * 4/2016 Ko G06F 3/04847
 9,329,762 B1 * 5/2016 Schultz G06F 3/04845
 9,335,901 B1 * 5/2016 Pantel G06F 3/0484
 2007/0109323 A1 * 5/2007 Nakashima G01C 21/3664
 345/661
 2010/0205563 A1 * 8/2010 Haapsaari G06F 3/0485
 715/825
 2011/0018896 A1 * 1/2011 Buzyn G06F 3/0481
 345/594
 2011/0025711 A1 * 2/2011 Doi G06F 3/0485
 345/635
 2011/0167366 A1 * 7/2011 Wagner G06F 3/0483
 715/765
 2012/0299845 A1 * 11/2012 Seo G06F 1/1641
 345/173
 2013/0117689 A1 * 5/2013 Lessing G06F 3/041
 715/752
 2013/0145321 A1 * 6/2013 Horiuchi G06F 3/0483
 715/830

2013/0179830 A1 * 7/2013 Lee G06F 3/04845
 715/784
 2013/0212525 A1 * 8/2013 Shogaki G06F 3/04845
 715/799
 2013/0321340 A1 * 12/2013 Seo G06F 1/1641
 345/174
 2014/0282077 A1 * 9/2014 Wilson G06F 3/0482
 715/751
 2014/0306965 A1 * 10/2014 Yen G06T 13/00
 345/473
 2015/0009391 A1 * 1/2015 Kim H04N 5/23216
 348/333.05
 2015/0268810 A1 * 9/2015 Hoshino G09G 5/00
 345/589
 2016/0066011 A1 * 3/2016 Ro H04N 21/42222
 725/38
 2016/0070429 A1 * 3/2016 Clark G06F 3/0482
 715/784
 2016/0119547 A1 * 4/2016 Kobayashi H04N 5/23293
 348/333.11

OTHER PUBLICATIONS

Gif Timeline App, posted at dribbble.com by Barthelemy Chalvet, posted Dec. 11, 2013, © 2009-2016 Dribbble LLC., [site visited May 11, 2016]. Available from internet:<<https://dribbble.com/shots/1343162-Gif-Timeline-App>>.*
 Sidebar Animation, posted at dribbble.com by Jakub Antalík, posted May 20, 2013, © 2009-2016 Dribbble LLC., [site visited May 11, 2016]. Available from internet:<<https://dribbble.com/shots/1078102-Sidebar-animation>>.*
 Social App Interaction, posted at inspirationmobile.tumblr.com by Irina Medyantseva, posted 2016, [site visited May 11, 2016]. Available from internet:<<http://inspirationmobile.tumblr.com/>>.*

* cited by examiner

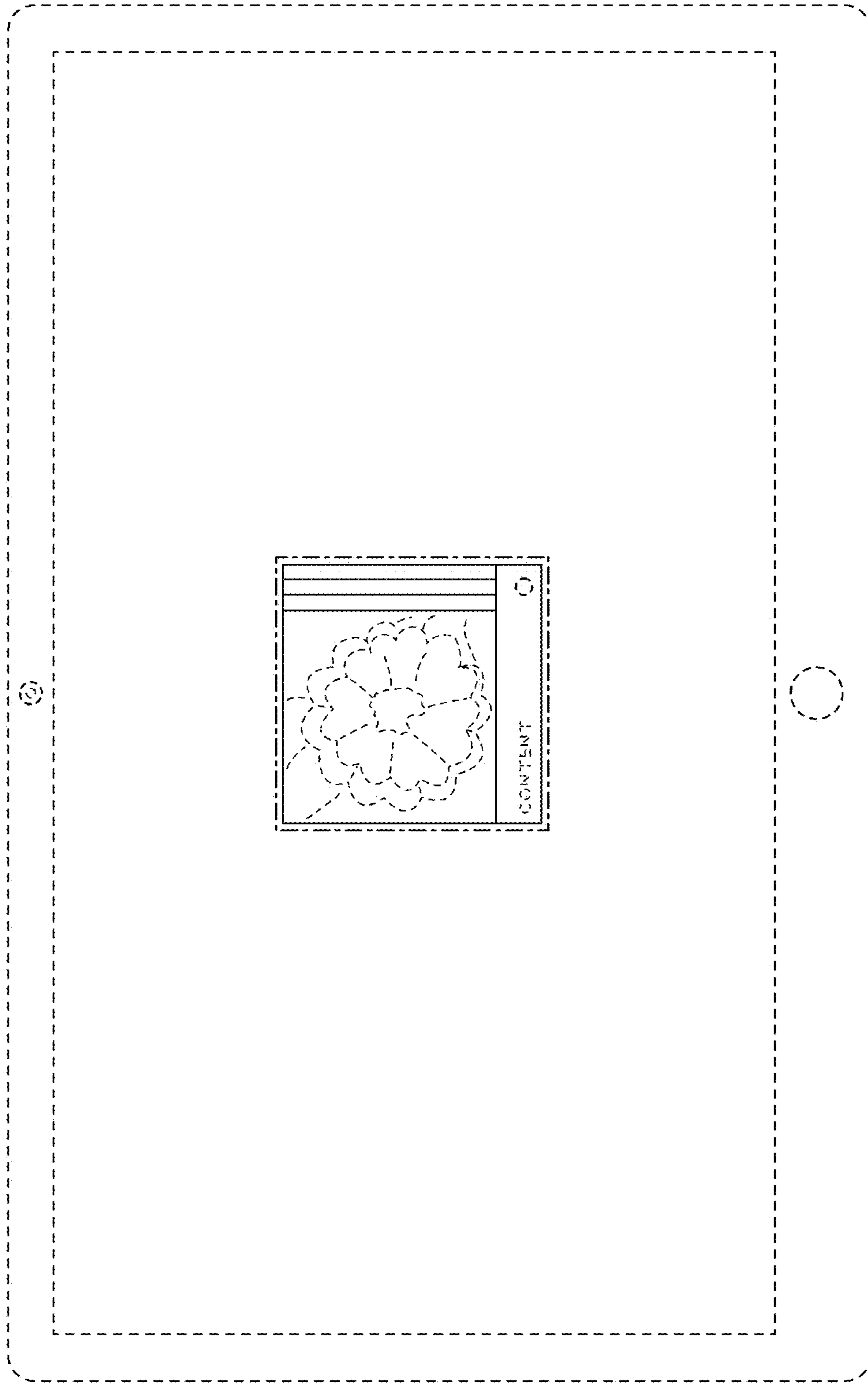


FIG. 1

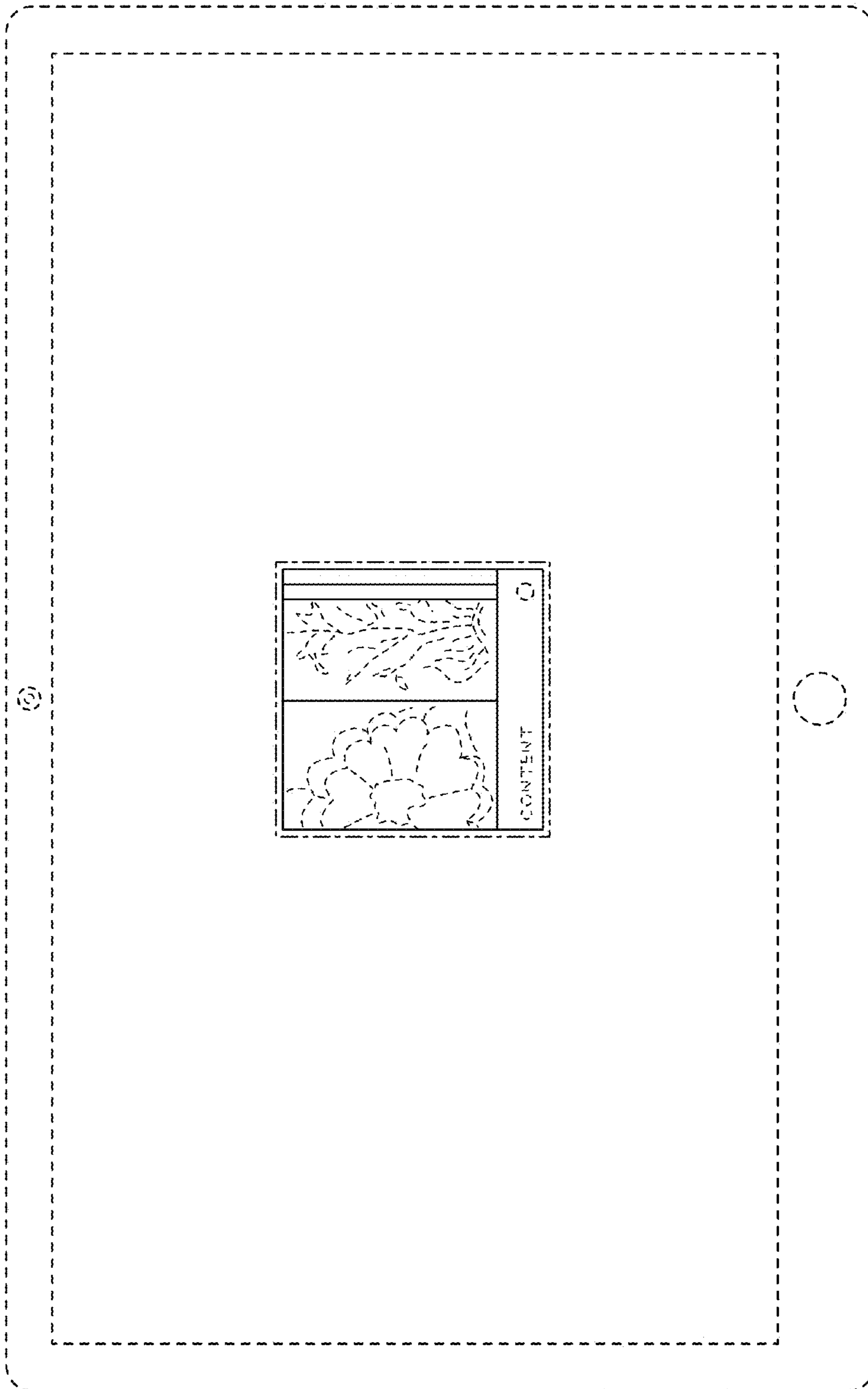


FIG. 2

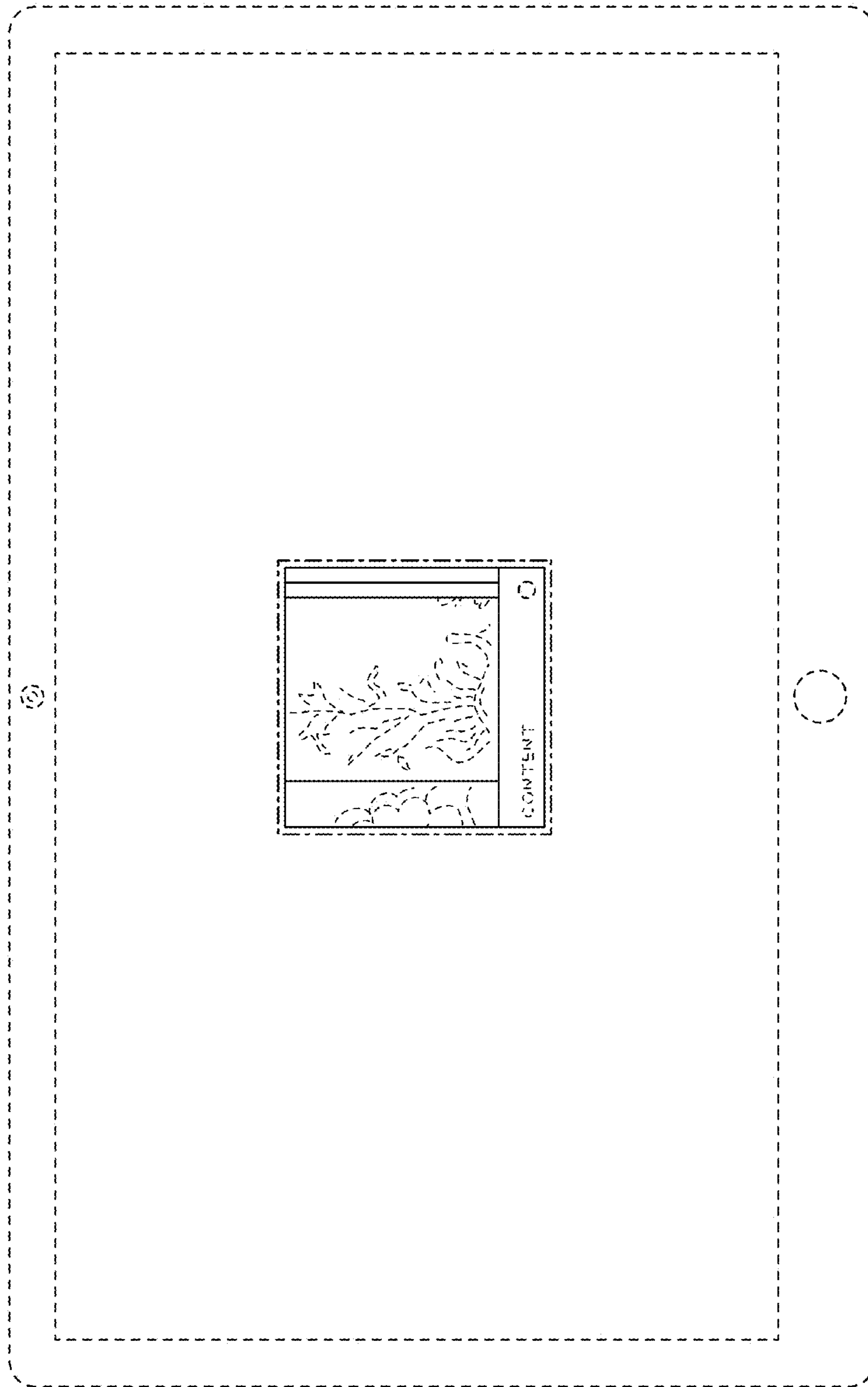


FIG. 3

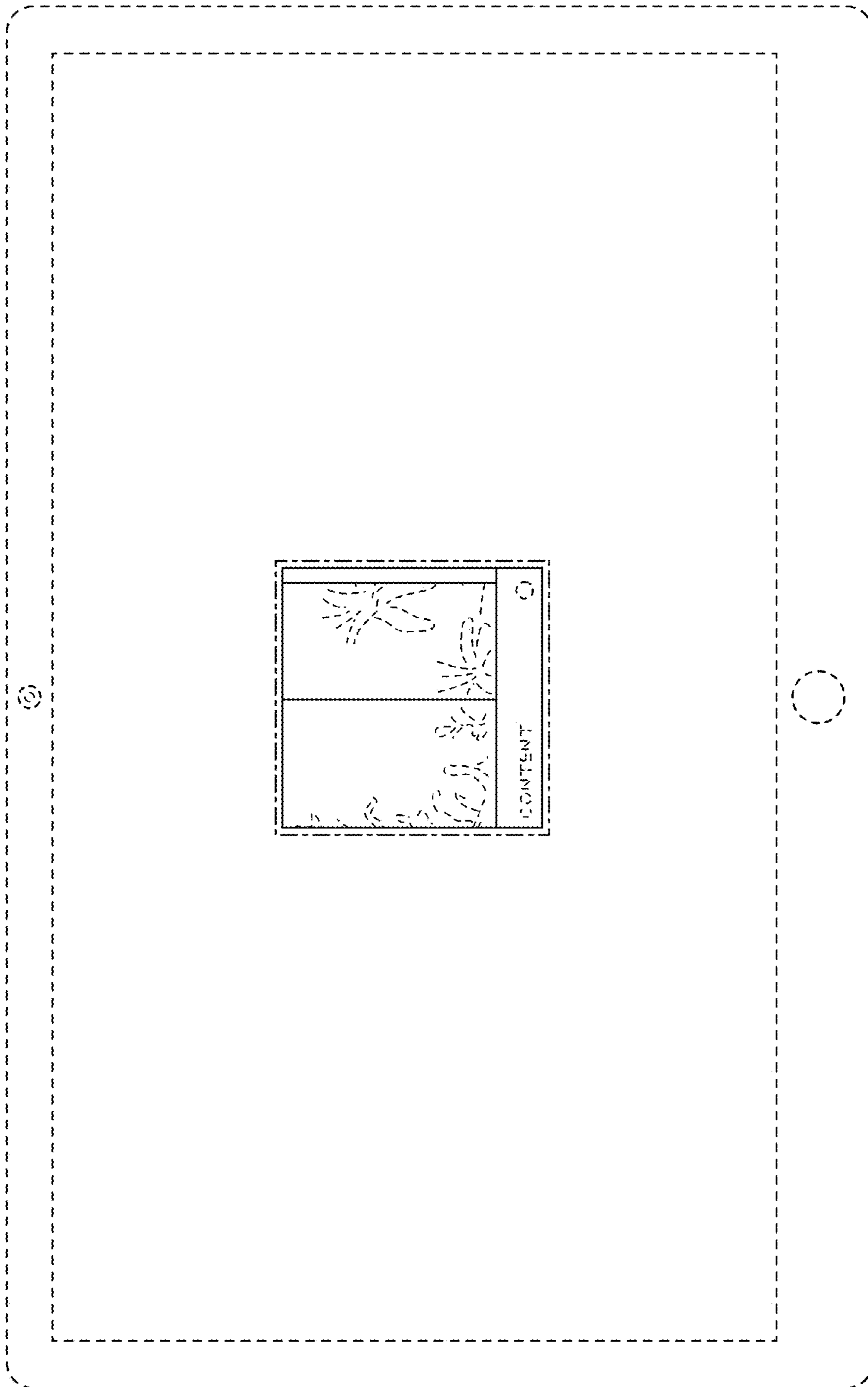


FIG. 4

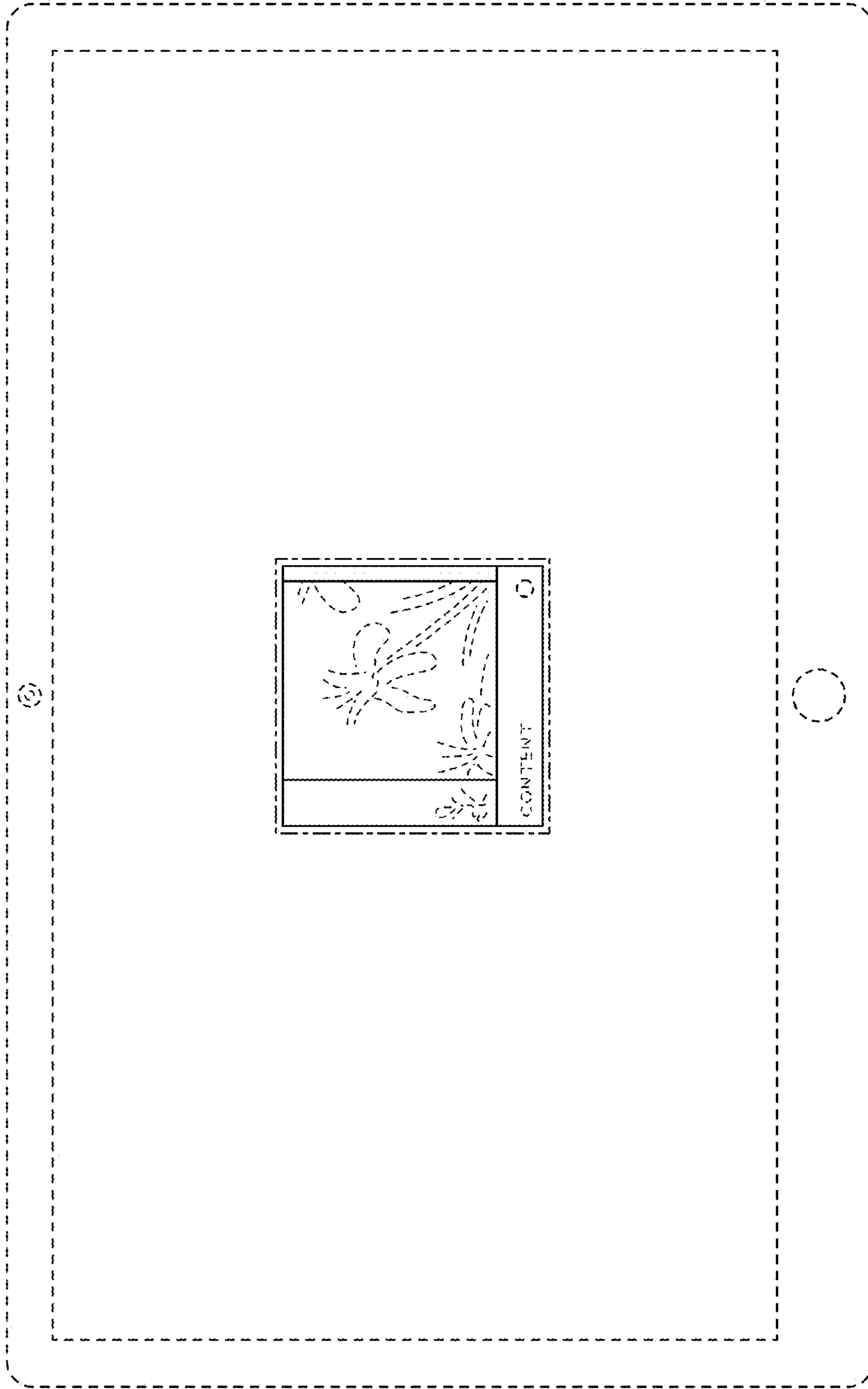


FIG. 5

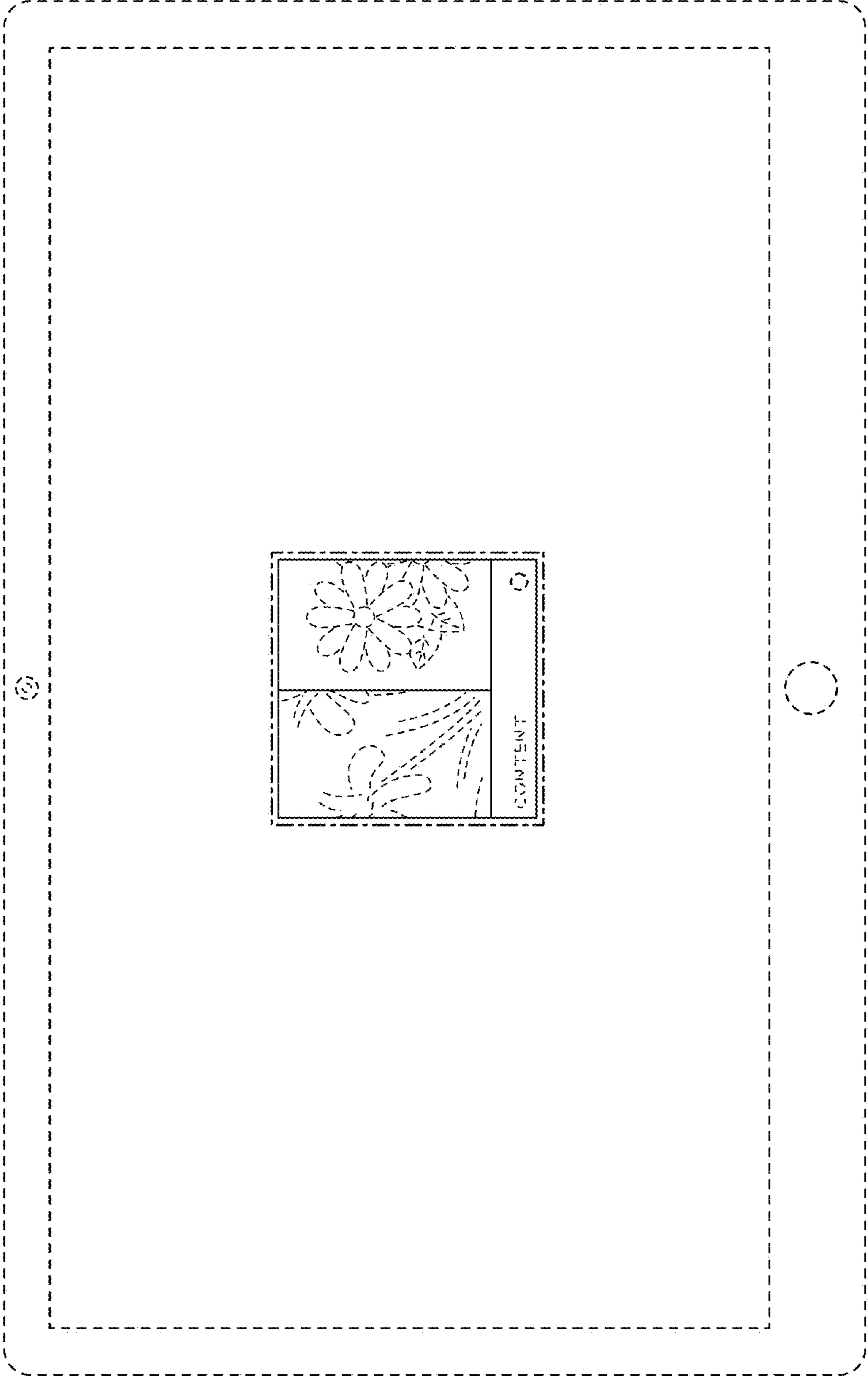


FIG. 6