



US00D767603S

(12) **United States Design Patent**  
**Yun et al.**

(10) **Patent No.:** **US D767,603 S**  
(45) **Date of Patent:** **\*\* Sep. 27, 2016**

(54) **DISPLAY SCREEN OR PORTION THEREOF WITH GRAPHICAL USER INTERFACE**

(71) Applicant: **SAMSUNG ELECTRONICS CO., LTD.**, Suwon-si (KR)

(72) Inventors: **So-Young Yun**, Seoul (KR); **Ji-Yoon Yoon**, Seoul (KR); **Jae-Jeong Kim**, Seoul (KR)

(73) Assignee: **SAMSUNG ELECTRONICS CO., LTD.**, Suwon-Si, Gyeonggi-Do (KR)

(\*\*) Term: **14 Years**

(21) Appl. No.: **29/477,494**

(22) Filed: **Dec. 23, 2013**

(30) **Foreign Application Priority Data**

Sep. 3, 2013 (KR) ..... 30-2013-0045478

(51) **LOC (10) Cl.** ..... **14-04**

(52) **U.S. Cl.**  
USPC ..... **D14/486**

(58) **Field of Classification Search**  
USPC ..... D14/485-495  
CPC .. G06F 3/0481; G06F 3/0482; G06F 3/0485;  
G06F 3/04883; G06F 3/04886; G06F  
3/04817; G06F 3/04842  
See application file for complete search history.

(56) **References Cited**

**U.S. PATENT DOCUMENTS**

D626,131 S *	10/2010	Kruzeniski	.....	D14/485
D627,360 S *	11/2010	Aarseth	.....	D14/485
D630,642 S *	1/2011	Berg	.....	D14/486
D631,060 S *	1/2011	Flik	.....	D14/486
D637,196 S *	5/2011	Ray	.....	D14/486

D637,197 S *	5/2011	Ray	.....	D14/486
D659,704 S *	5/2012	Sharma	.....	D14/486
D691,171 S *	10/2013	Brinda	.....	D14/488
D699,730 S *	2/2014	Brinda	.....	D14/485
D703,693 S *	4/2014	Brinda	.....	D14/488
D716,317 S *	10/2014	Behzadi	.....	D14/485
D716,320 S *	10/2014	Fan	.....	D14/485
D716,321 S *	10/2014	Fan	.....	D14/485
D717,822 S *	11/2014	Brotman	.....	D14/486
D721,084 S *	1/2015	Kimball	.....	D14/485
D727,336 S *	4/2015	Allison	.....	D14/485
D727,928 S *	4/2015	Allison	.....	D14/485
D728,616 S *	5/2015	Gomez	.....	D14/491
D738,895 S *	9/2015	Myoung	.....	D14/486
D739,415 S *	9/2015	Barling	.....	D14/485
D746,857 S *	1/2016	Rayit	.....	D14/488
D748,101 S *	1/2016	Bang	.....	D14/485
D749,103 S *	2/2016	Song	.....	D14/486
2014/0195826 A1 *	7/2014	Wojcik	.....	H05K 5/0086 713/300

\* cited by examiner

*Primary Examiner* — Deanna L Pratt

(74) *Attorney, Agent, or Firm* — Ladas & Parry LLP

(57) **CLAIM**

We claim the ornamental design for a display screen or portion thereof with graphical user interface, as shown and described.

**DESCRIPTION**

FIG. 1 is a front view of a display screen or portion thereof with graphical user interface showing our new design; FIG. 2 is a front view of a second embodiment thereof; and, FIG. 3 is a front view of a third embodiment thereof. The broken lines in the drawings illustrate environmental structure and form no part of the claimed design. The dot-dash broken lines in the drawings illustrate environmental structure and form no part of the claimed design.

**1 Claim, 3 Drawing Sheets**

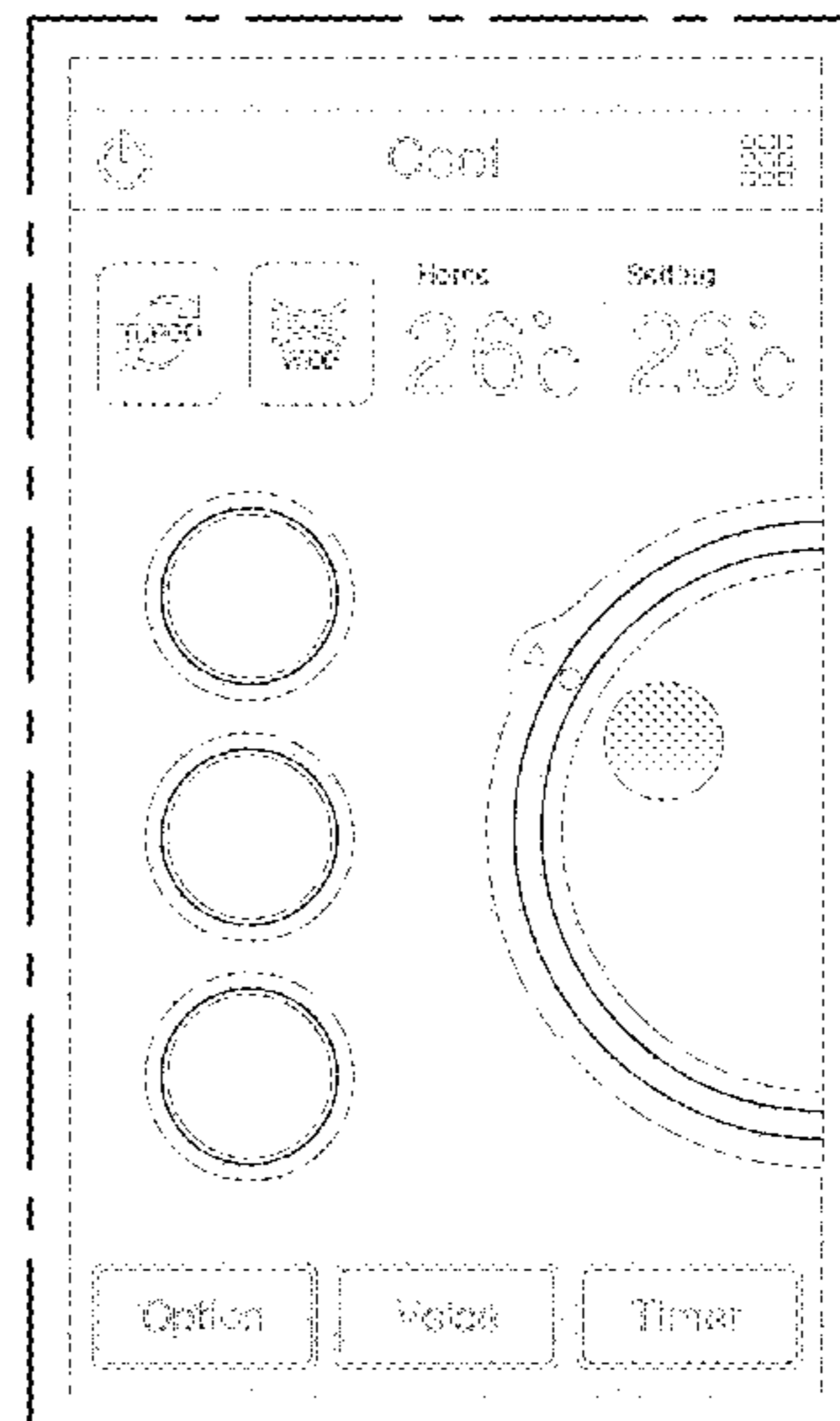
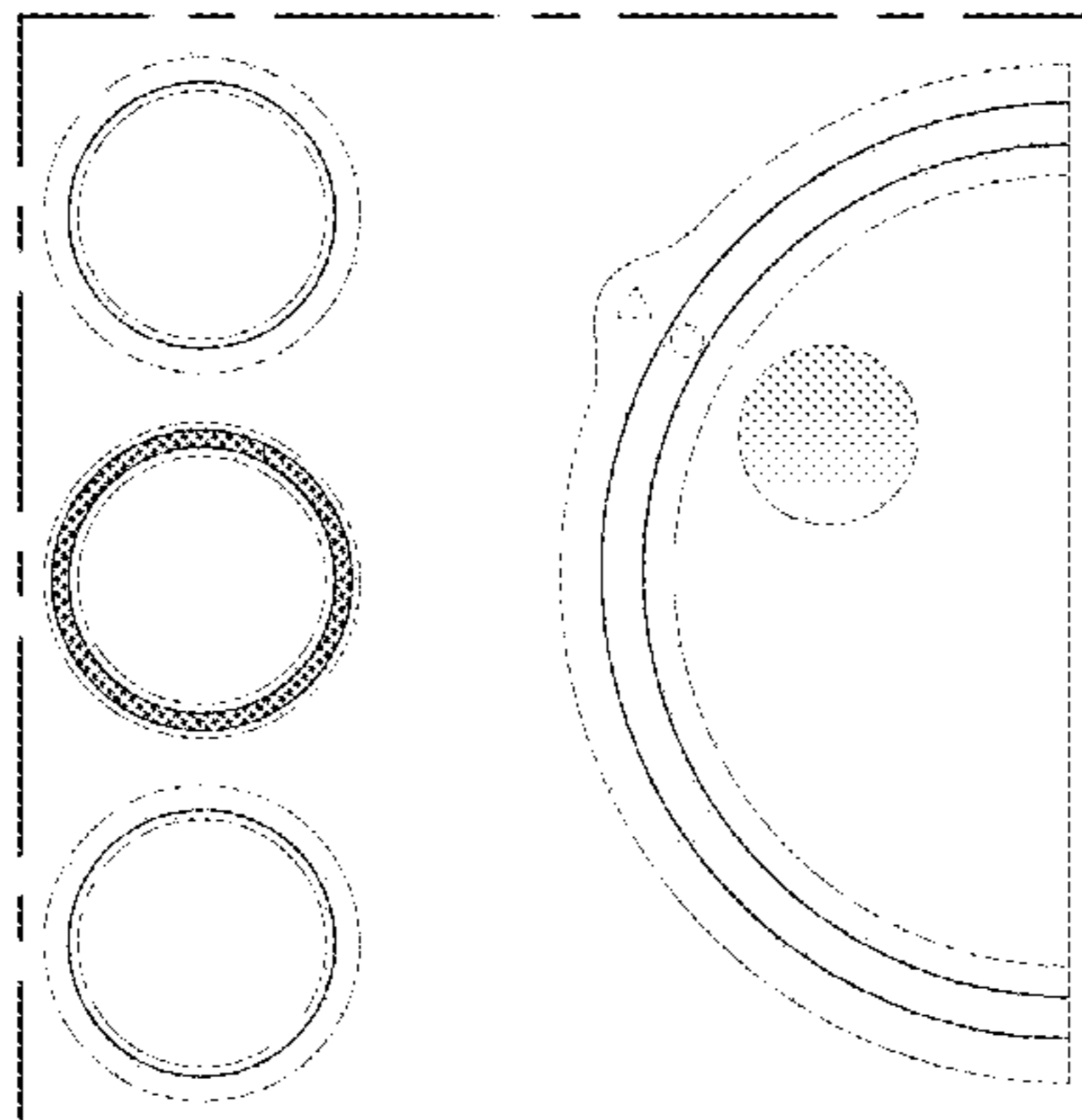


FIG. 1

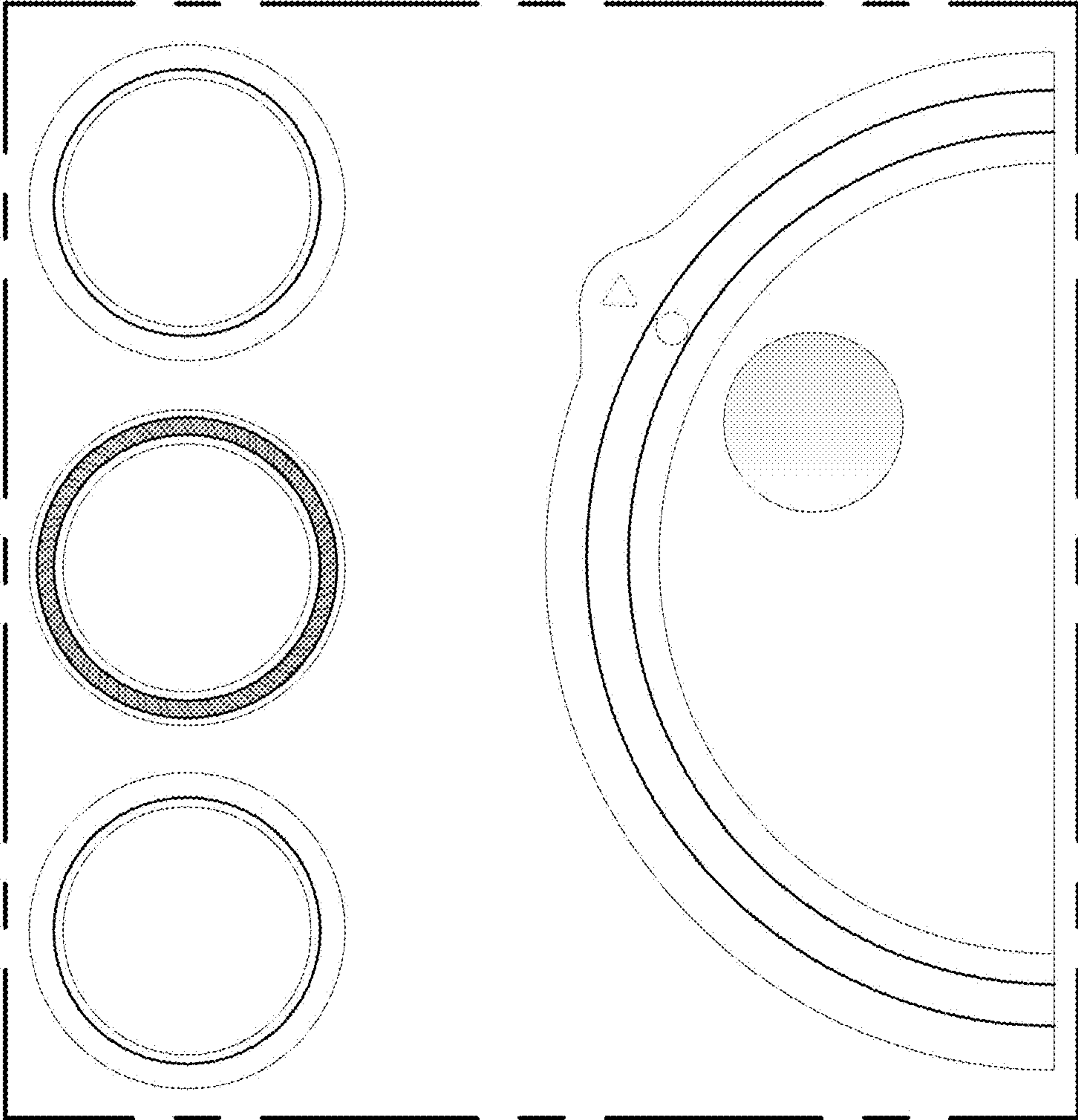


FIG. 2

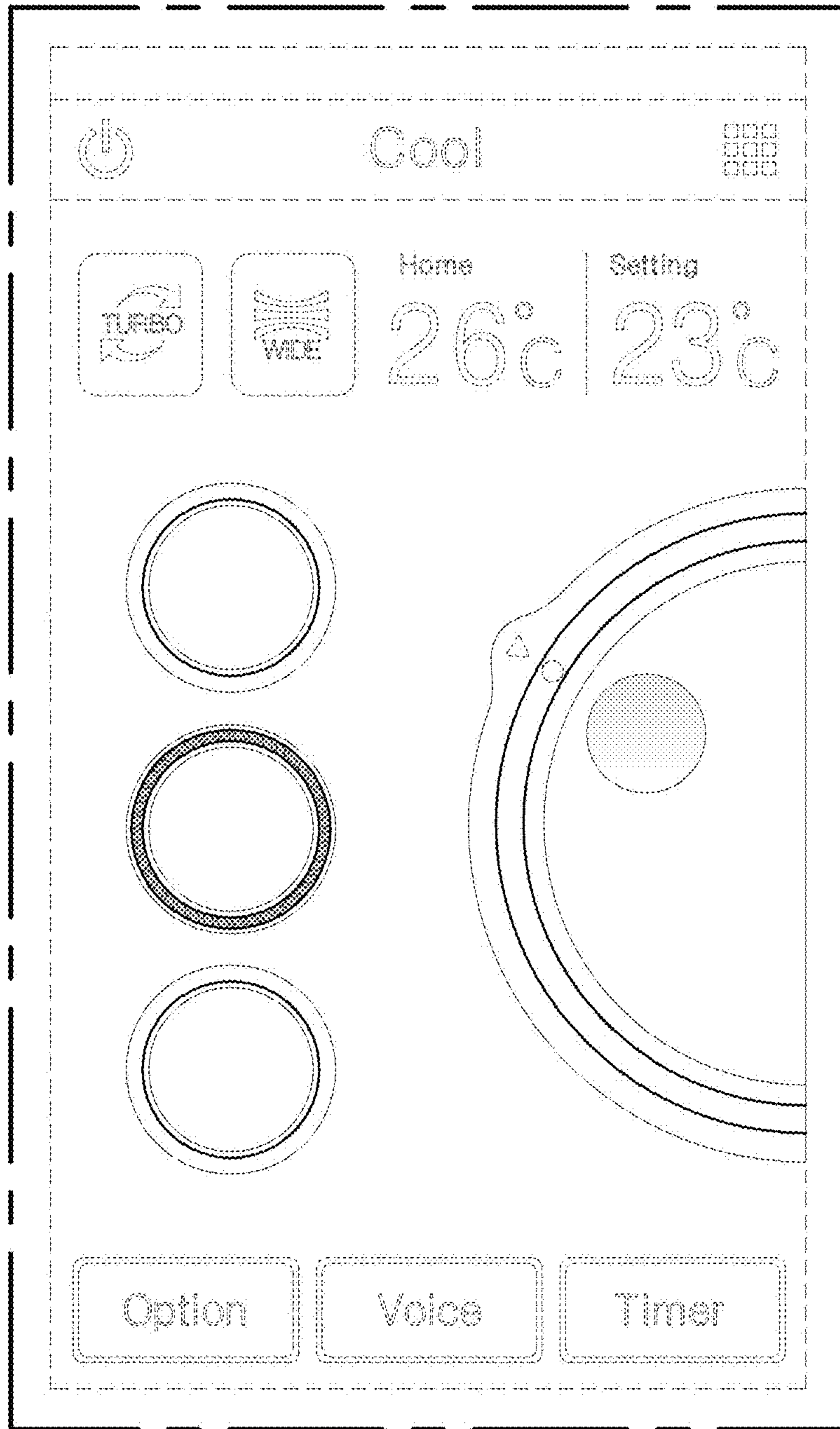


FIG. 3

