



US00D767578S

(12) **United States Design Patent**
Wong et al.

(10) **Patent No.: US D767,578 S**
(45) **Date of Patent: ** Sep. 27, 2016**

(54) **FOLDING KEYBOARD**
(71) Applicant: **Intel Corporation**, Santa Clara, CA (US)
(72) Inventors: **Hong W. Wong**, Portland, OR (US);
Christine Kim, Costa Mesa, CA (US);
Wah Yiu Kwong, Beaverton, OR (US);
Jiancheng Tao, Shanghai (CN);
Xiaoguo Liang, Shanghai (CN)
(73) Assignee: **Intel Corporation**, Santa Clara, CA (US)

(**) Term: **14 Years**
(21) Appl. No.: **29/513,133**
(22) Filed: **Dec. 27, 2014**
(51) **LOC (10) Cl.** **14-02**
(52) **U.S. Cl.**
USPC **D14/455**
(58) **Field of Classification Search**
USPC D14/315-327, 391-399; D18/1, 2, 7,
D18/11; 235/145 A, 145 R; 341/22, 23;
345/104, 156, 168, 169, 173;
361/679.08, 679.09, 679.11, 679.26,
361/679.27
CPC G06F 1/16; G06F 1/1616; G06F 1/1626;
G06F 1/1632; G06F 1/1613; G06F 1/1601;
G06F 1/1618; G06F 1/162; G06F 3/0221;
G06F 3/0216; H01R 35/02; H03M 11/00;
G09B 13/04; H03K 17/94; G09G 5/00;
F16M 11/10; H05K 5/00; H04M 1/0237;
H01H 13/14; H01H 13/84; B41J 5/00;
B41J 5/12; B41J 5/10
See application file for complete search history.

(56) **References Cited**
U.S. PATENT DOCUMENTS
5,653,543 A * 8/1997 Abe G06F 3/0221
361/679.14

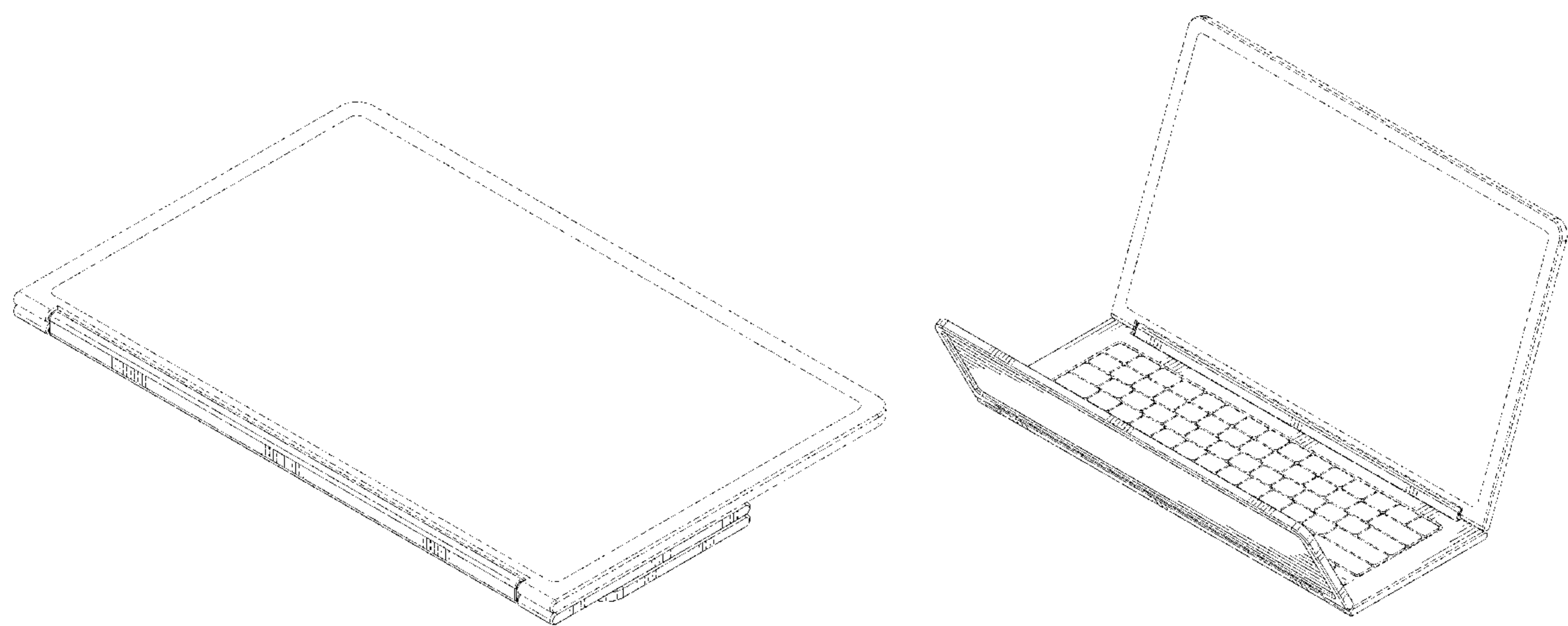
5,943,041 A * 8/1999 Allison G06F 1/1616
345/156
D470,493 S * 2/2003 Tritschler D14/393
6,575,647 B1 * 6/2003 Daniel G06F 3/0221
400/472
6,714,403 B2 * 3/2004 Furuki G06F 3/0221
345/168

(Continued)
Primary Examiner — Freda S Nunn
(74) *Attorney, Agent, or Firm* — Patent Capital Group

(57) **CLAIM**
The ornamental design for folding keyboard, as shown and described.

DESCRIPTION
FIG. 1 is a perspective view of folding keyboard shown in a folded position;
FIG. 2 is a back view thereof;
FIG. 3 is front view thereof;
FIG. 4 is a side view thereof;
FIG. 5 is an opposite side view thereof;
FIG. 6 is a top view thereof;
FIG. 7 is a bottom view thereof;
FIG. 8 is a bottom perspective view thereof;
FIG. 9 is a bottom perspective view thereof shown in a partially unfolded position;
FIG. 10 is a side view thereof;
FIG. 11 is another perspective view thereof;
FIG. 12 is a side view thereof;
FIG. 13 is a perspective view thereof;
FIG. 14 is a side view thereof;
FIG. 15 is a perspective view thereof shown in an unfolded position;
FIG. 16 is a side view thereof;
FIG. 17 is a perspective view thereof shown in a folded position;
FIG. 18 is a side view thereof;
FIG. 19 is a back perspective view thereof shown unfolded;
FIG. 20 is a side view thereof;
FIG. 21 is another back perspective view thereof;
FIG. 22 is a side view thereof;
FIG. 23 is an alternate back perspective view thereof; and,
FIG. 24 is a side view thereof.
The broken lines shown in the figures are for illustration only and form no part of the claimed design.

1 Claim, 22 Drawing Sheets



US D767,578 S

Page 2

(56)

References Cited

U.S. PATENT DOCUMENTS

7,052,195 B2 *	5/2006	Hsu	B41J 5/10	8,050,024 B2 *	11/2011	Hsu	G06F 1/1616
				400/472					248/917
7,503,713 B2 *	3/2009	Large	G06F 3/0216	D675,206 S *	1/2013	Roysden	D14/396
				400/472	8,830,684 B2 *	9/2014	Kobayashi	H04M 1/0237
									361/749
					2004/0228668 A1 *	11/2004	Hsu	B41J 5/10
									400/472

* cited by examiner

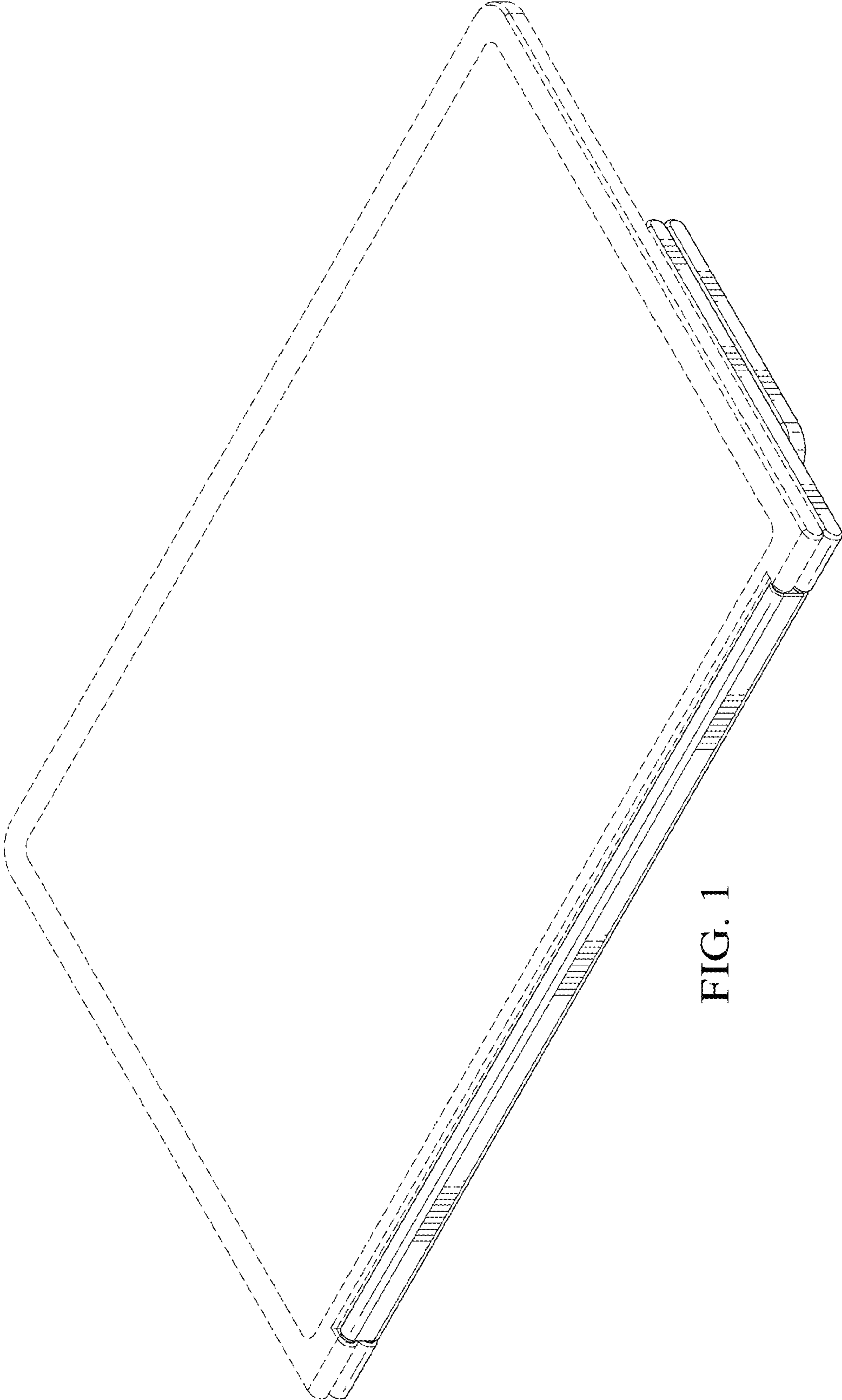


FIG. 1

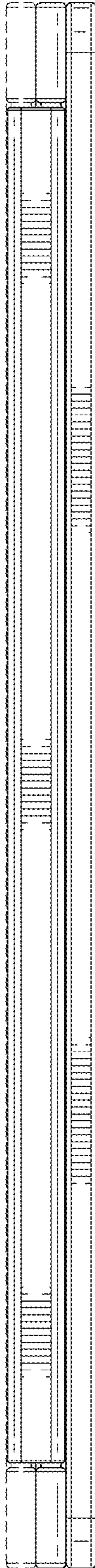


FIG. 2

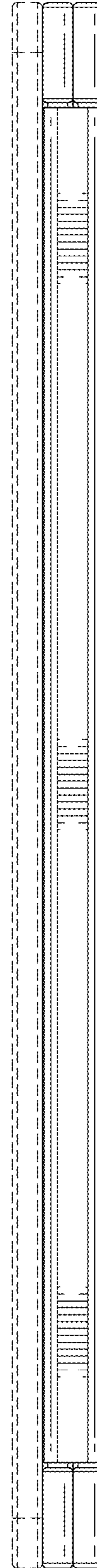


FIG. 3

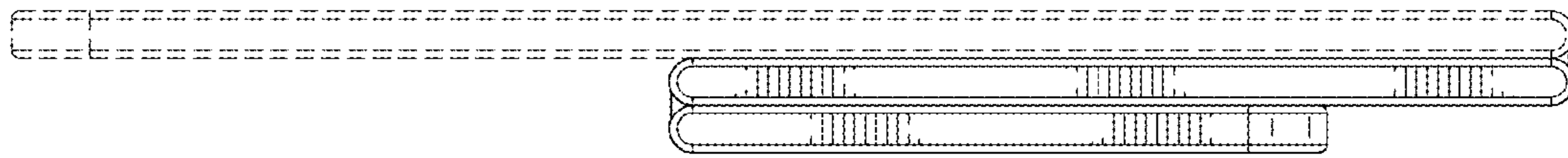


FIG. 4

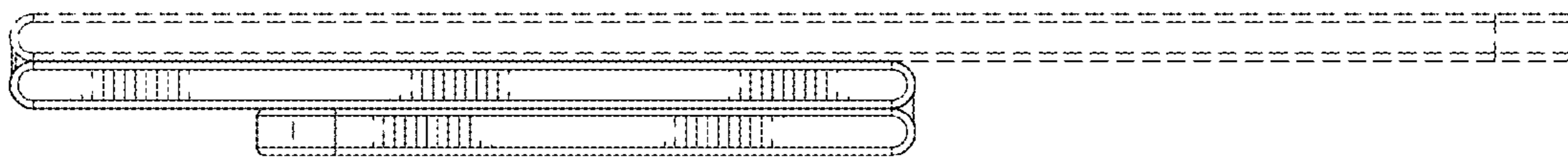


FIG. 5

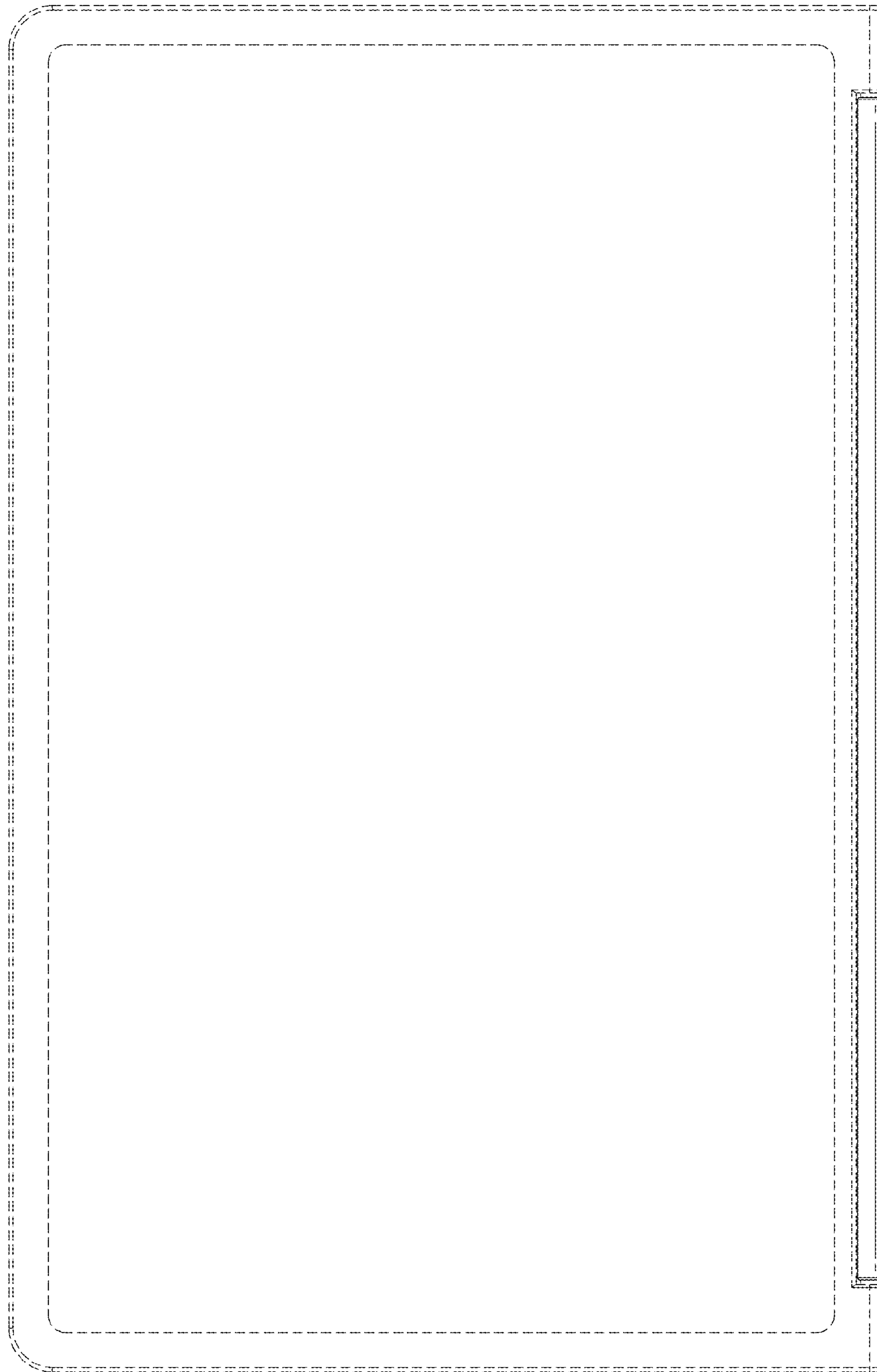


FIG. 6

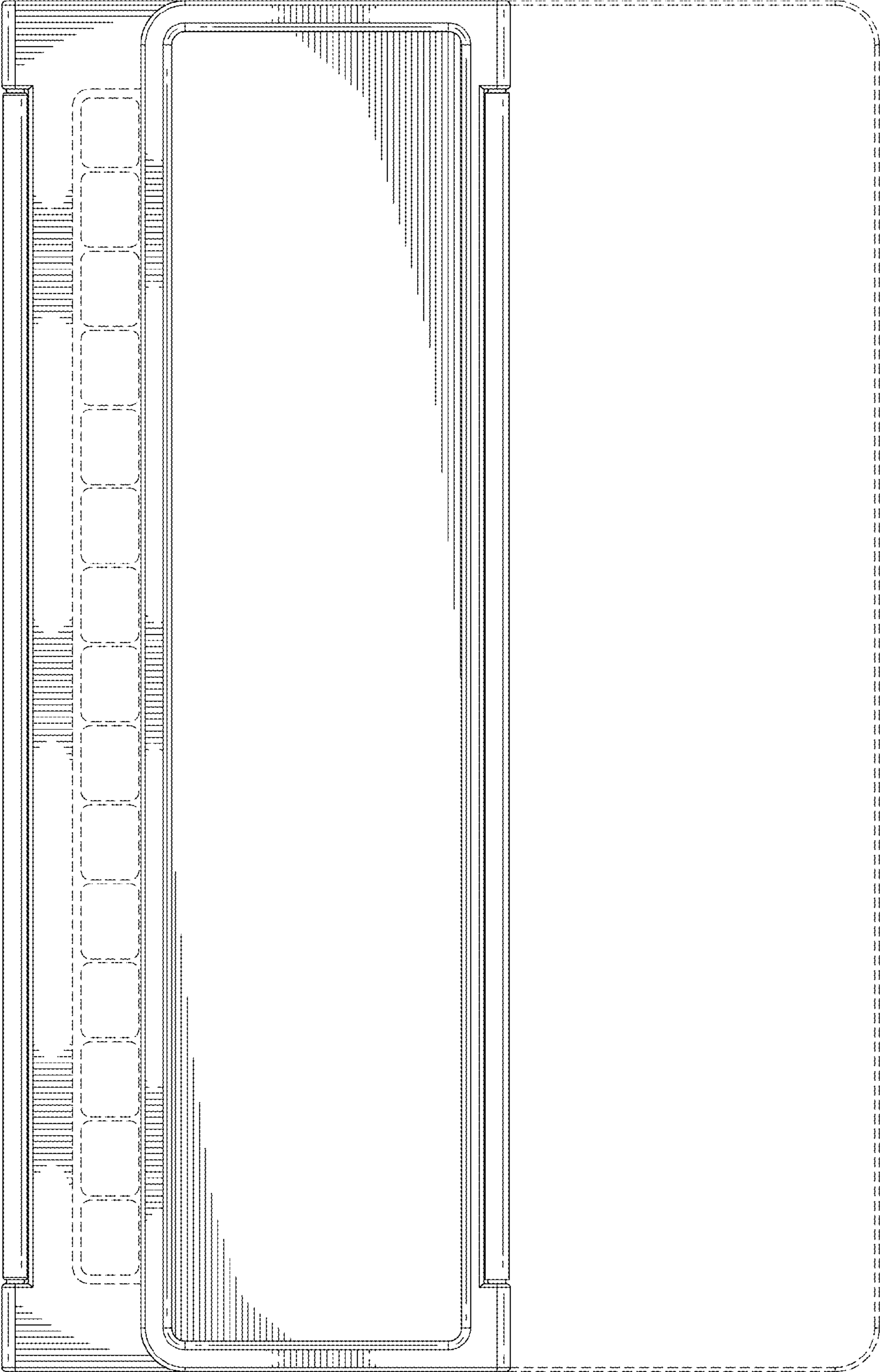


FIG. 7

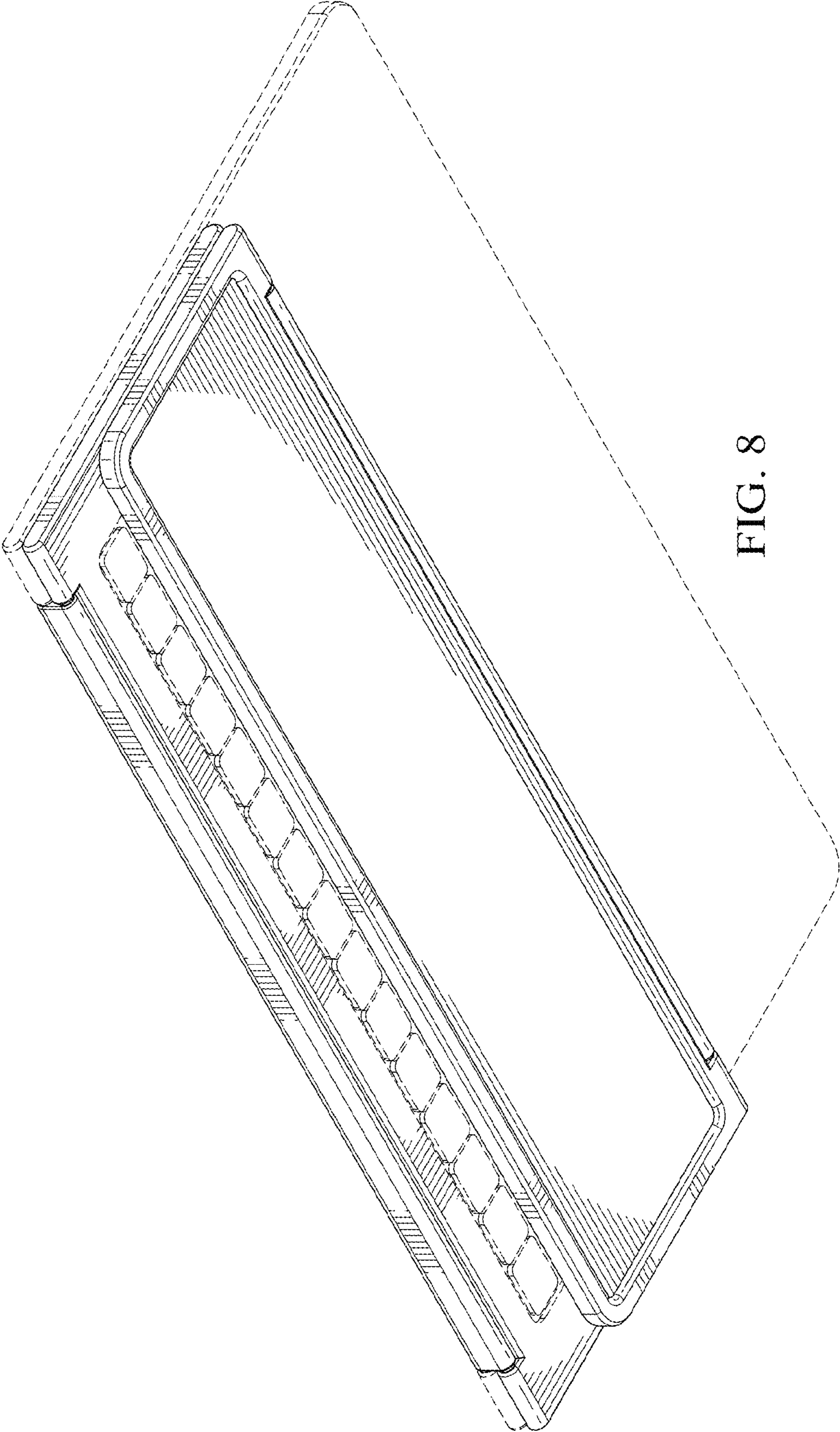


FIG. 8

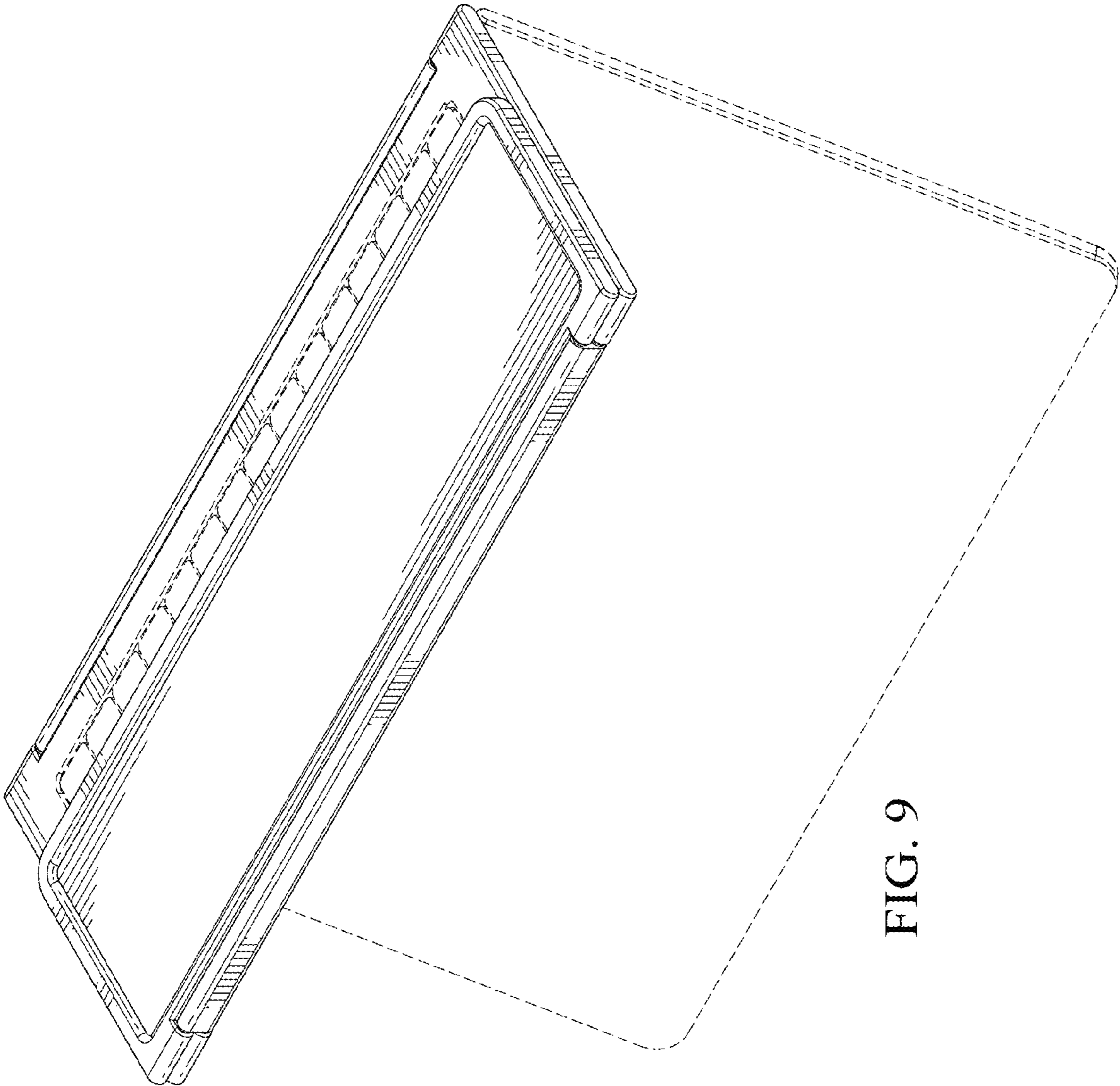


FIG. 9

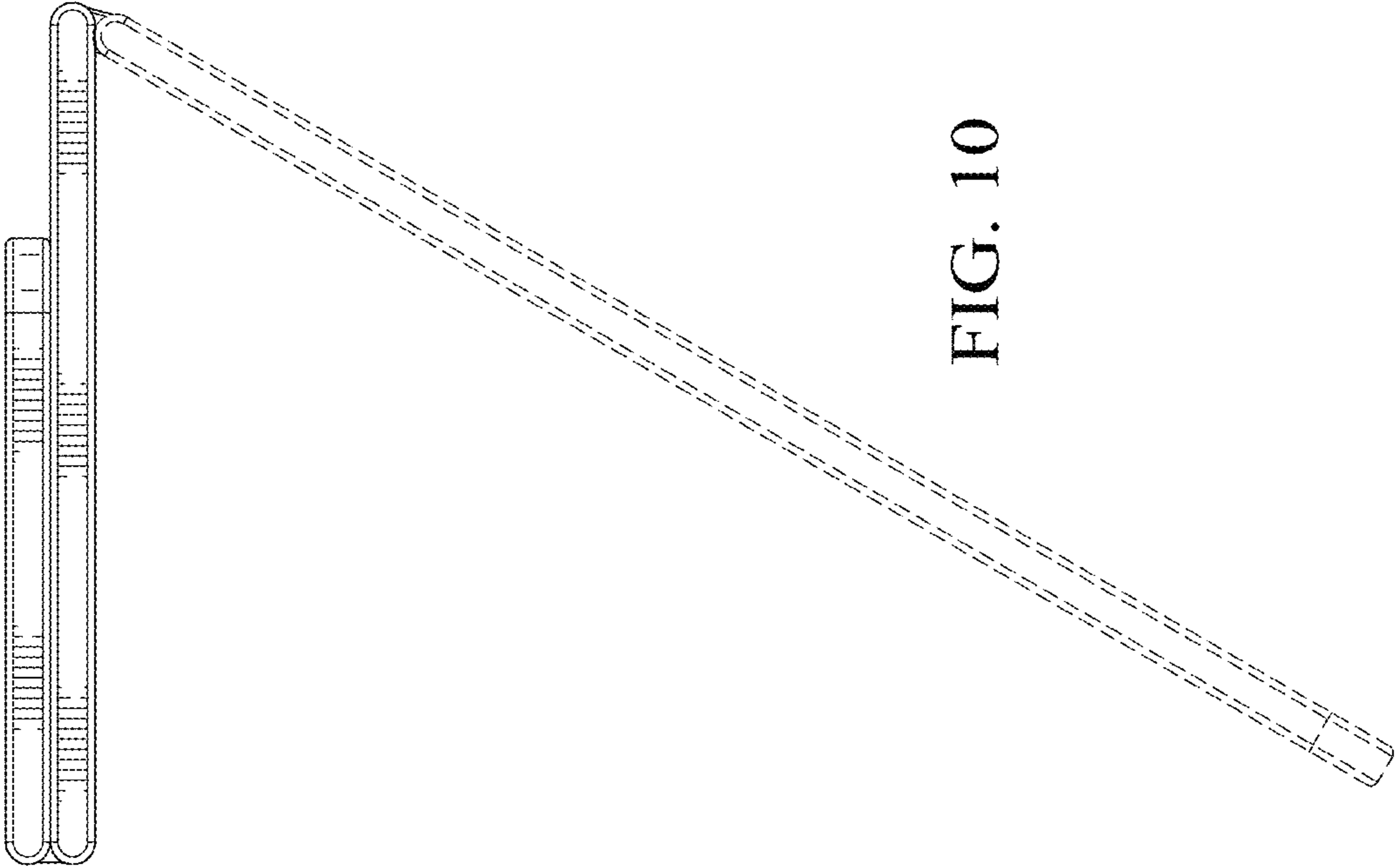


FIG. 10

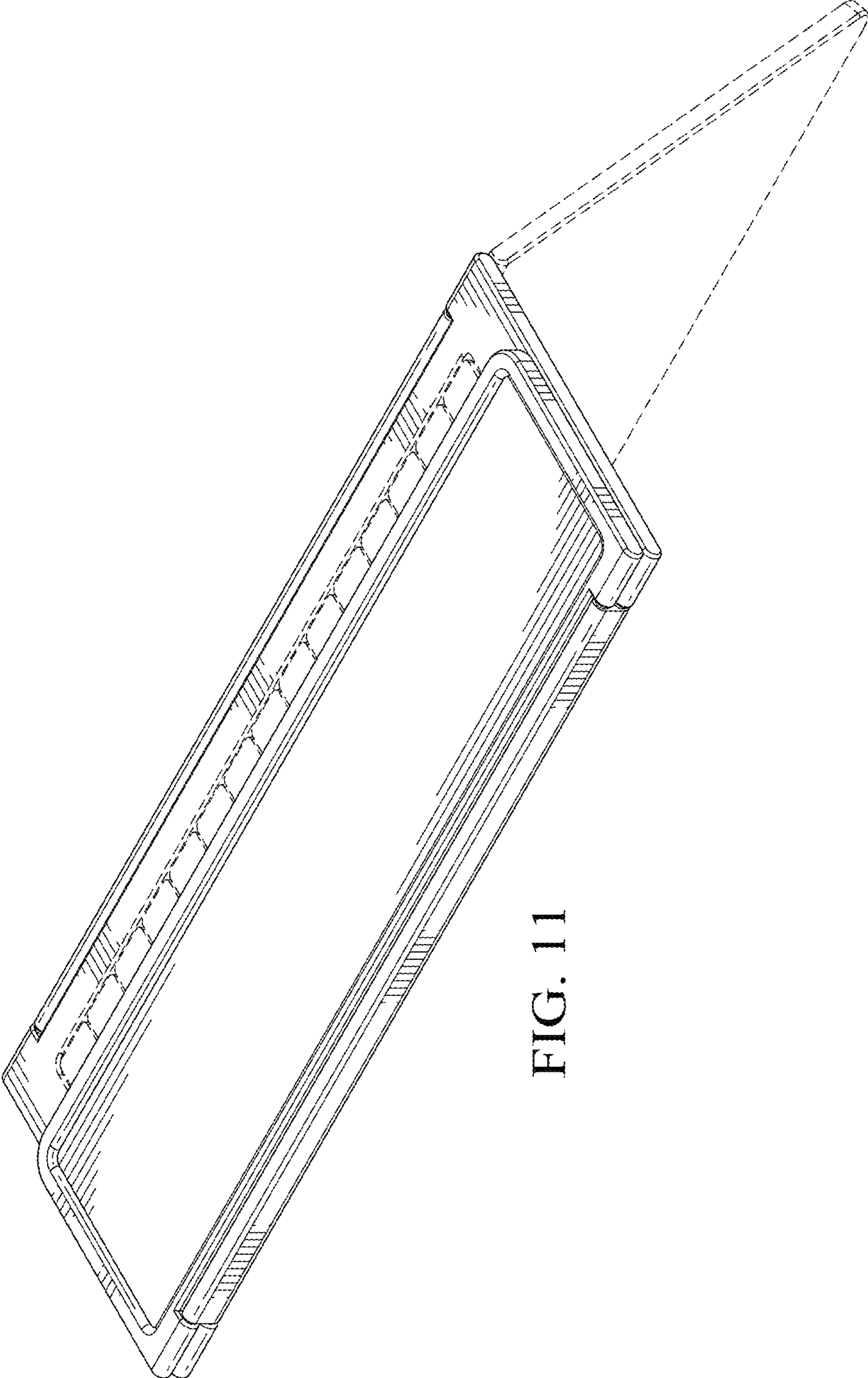
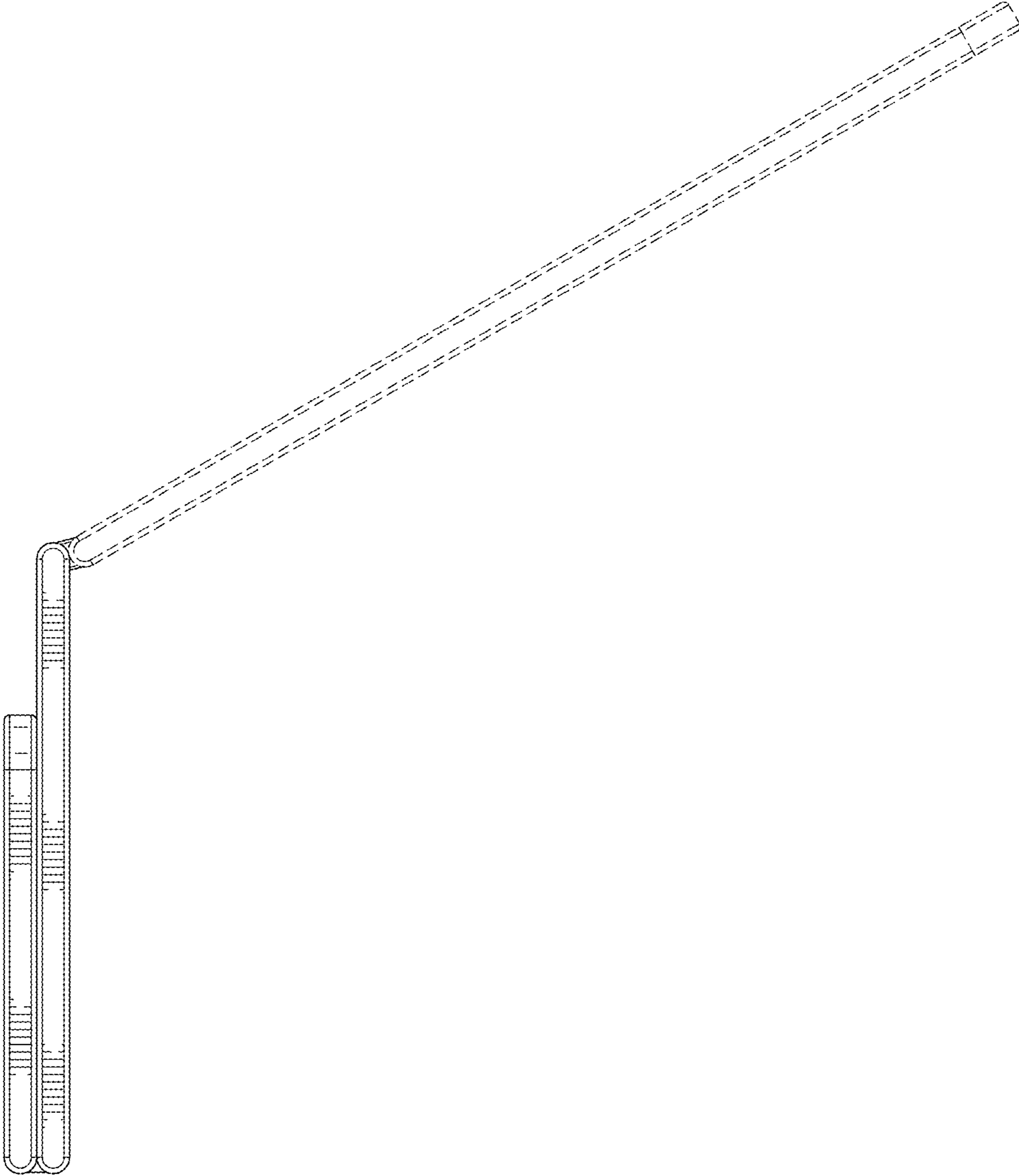


FIG. 11

FIG. 12



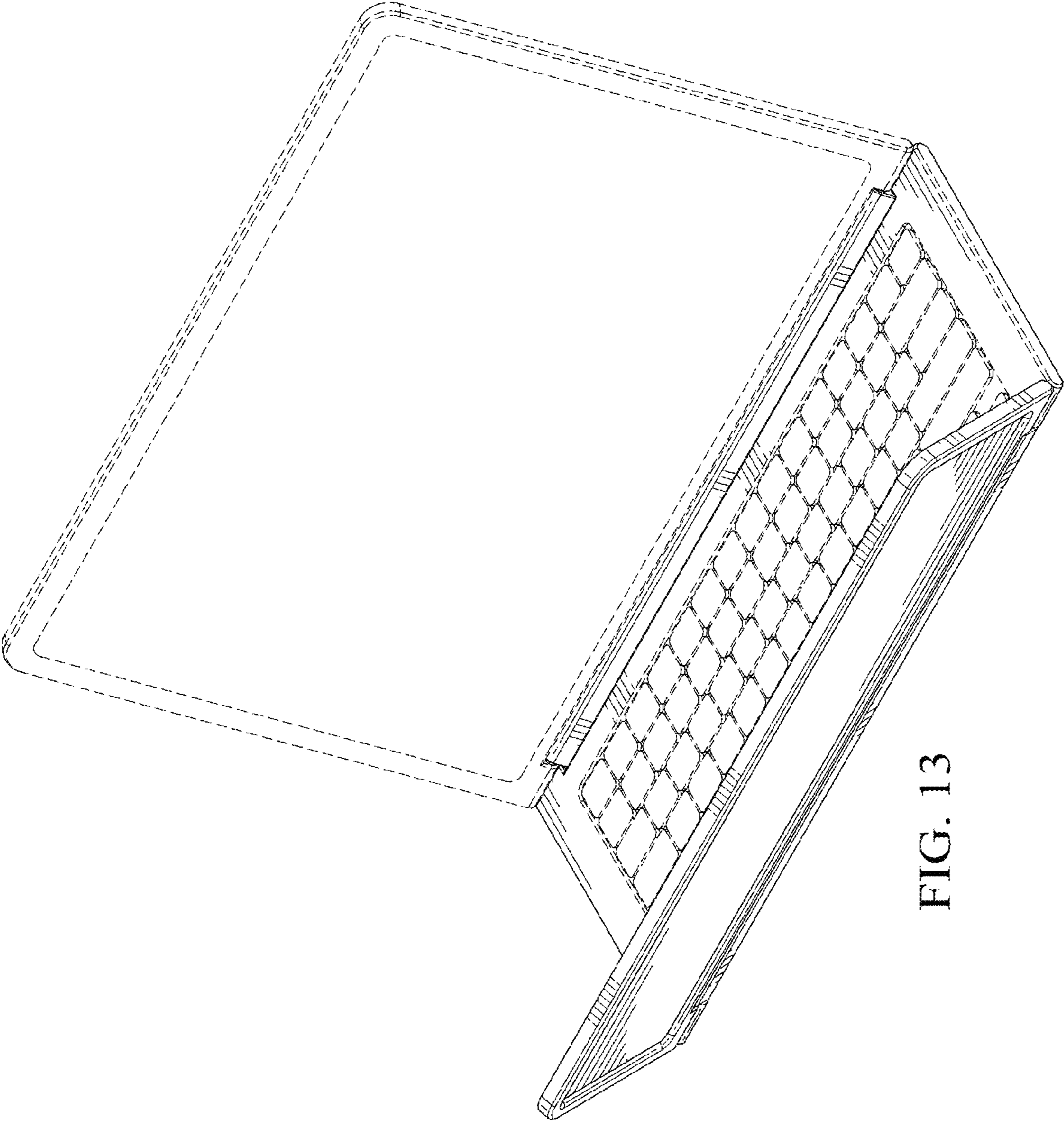


FIG. 13

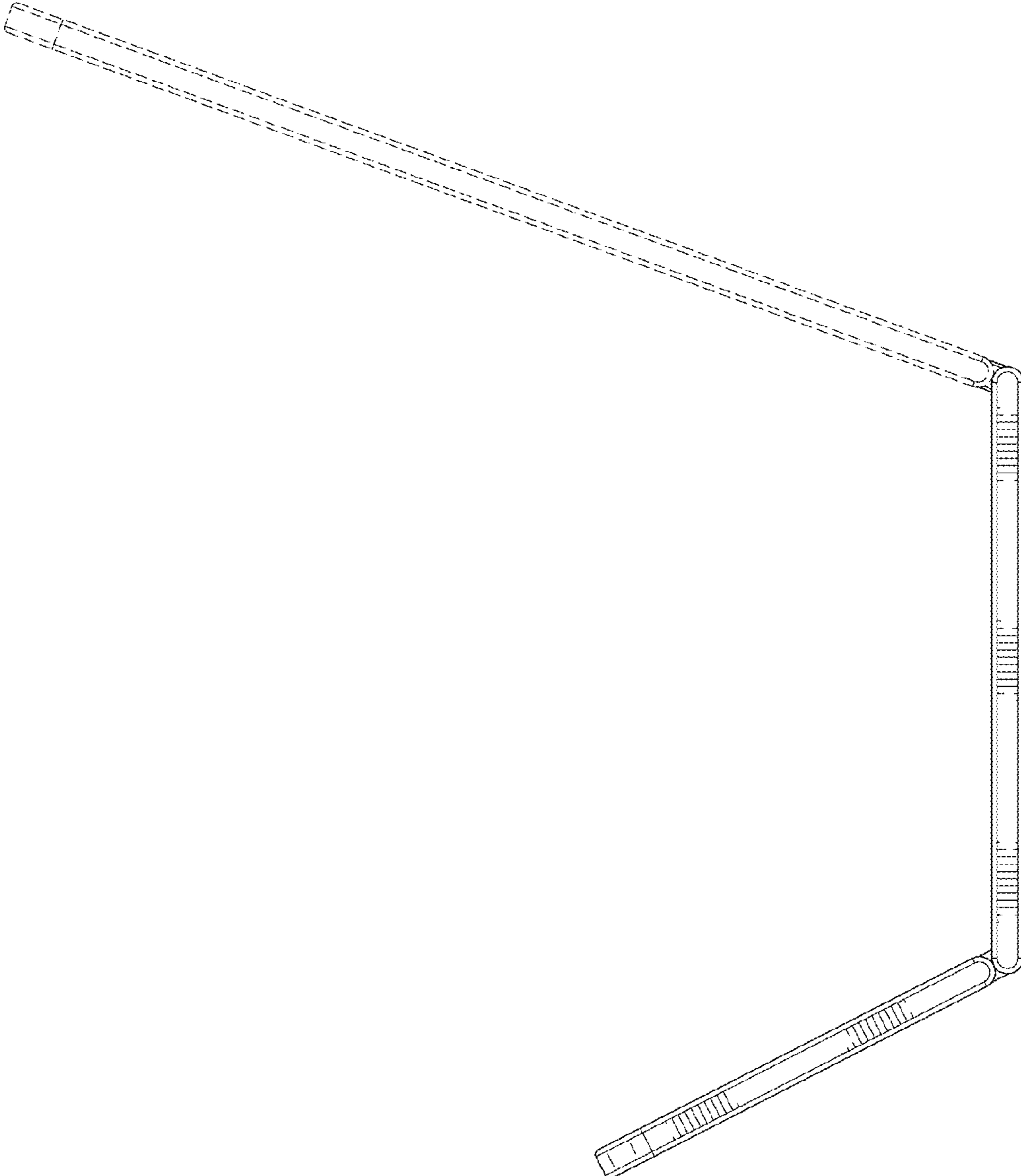


FIG. 14

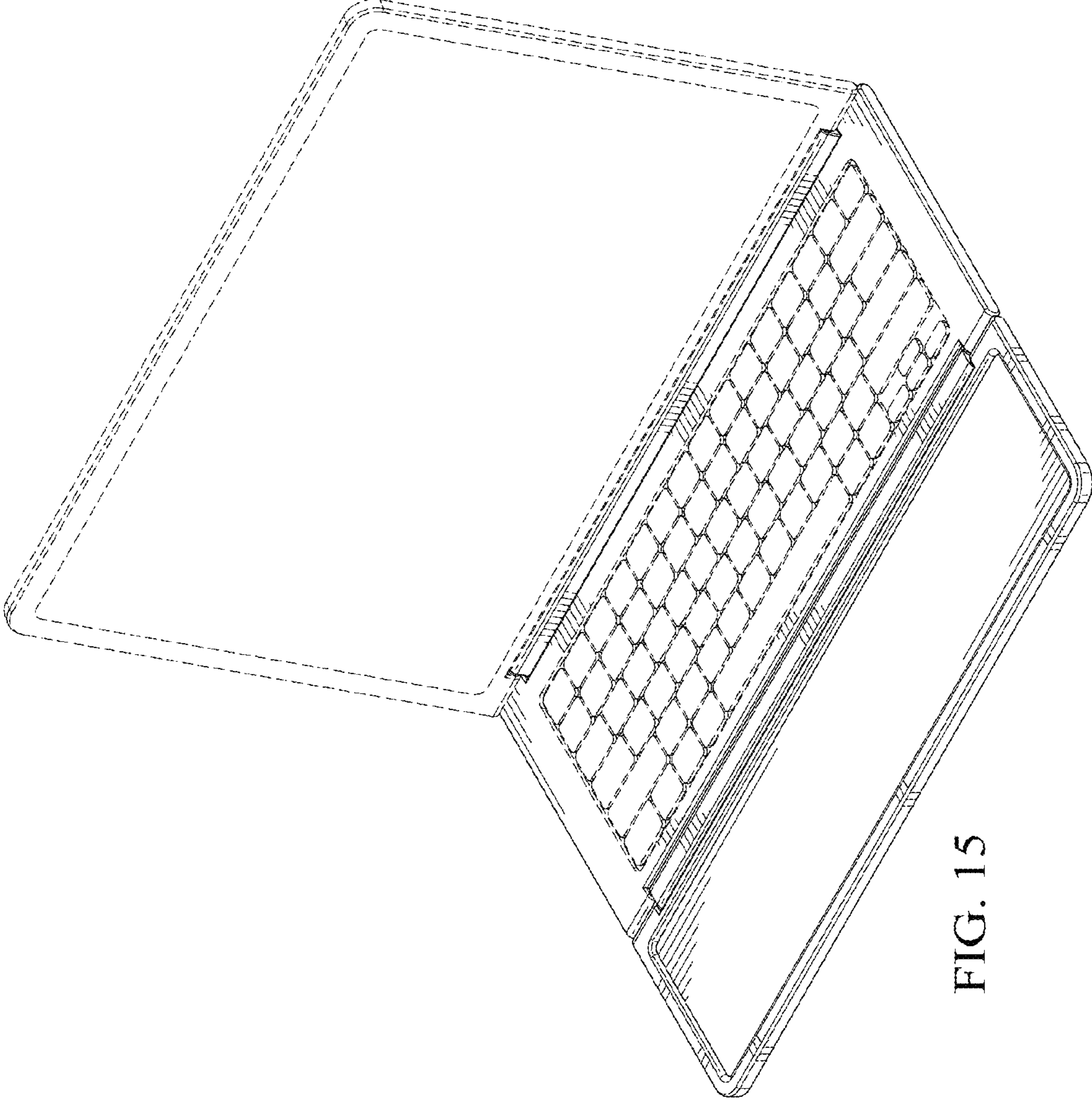


FIG. 15

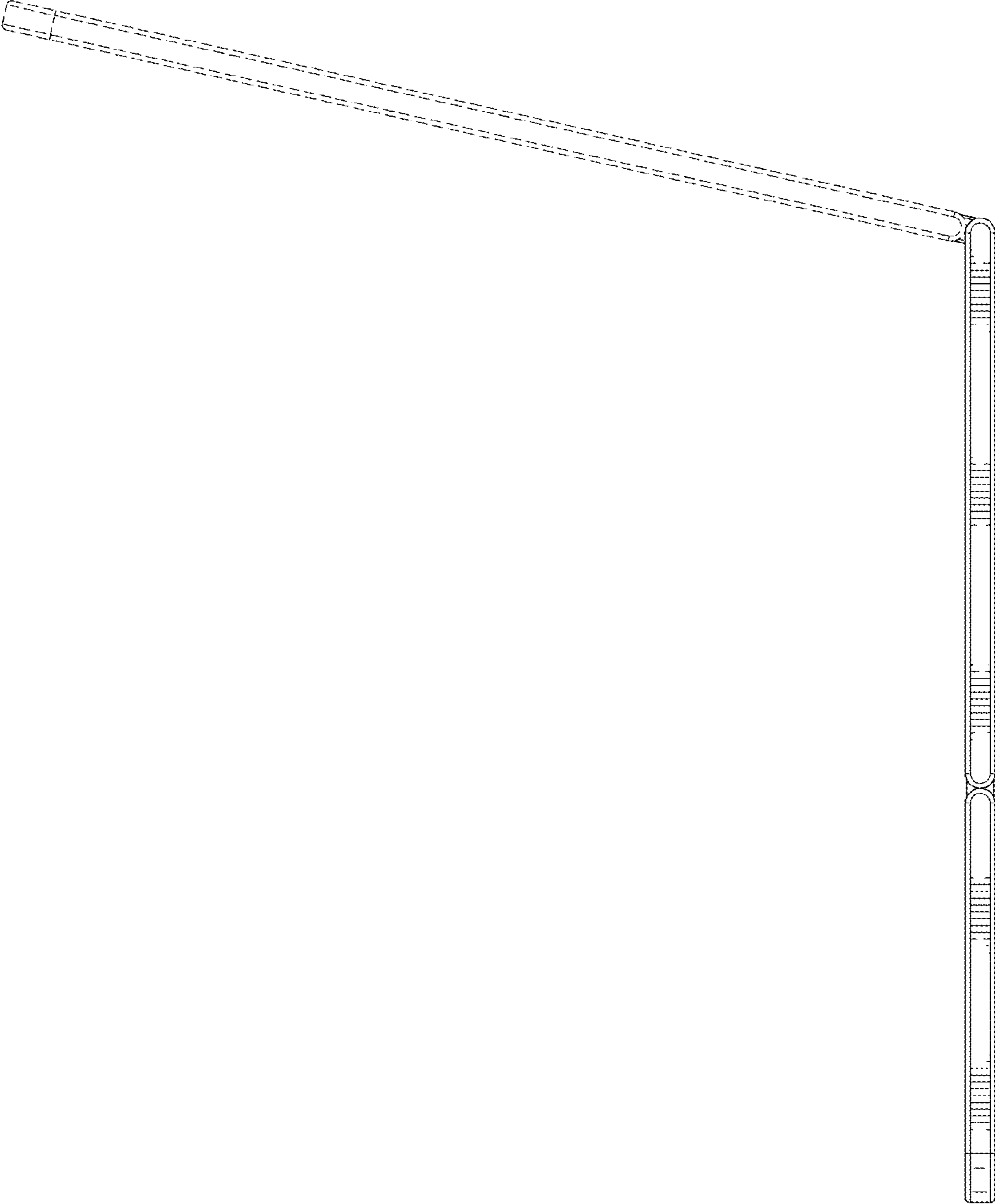


FIG. 16

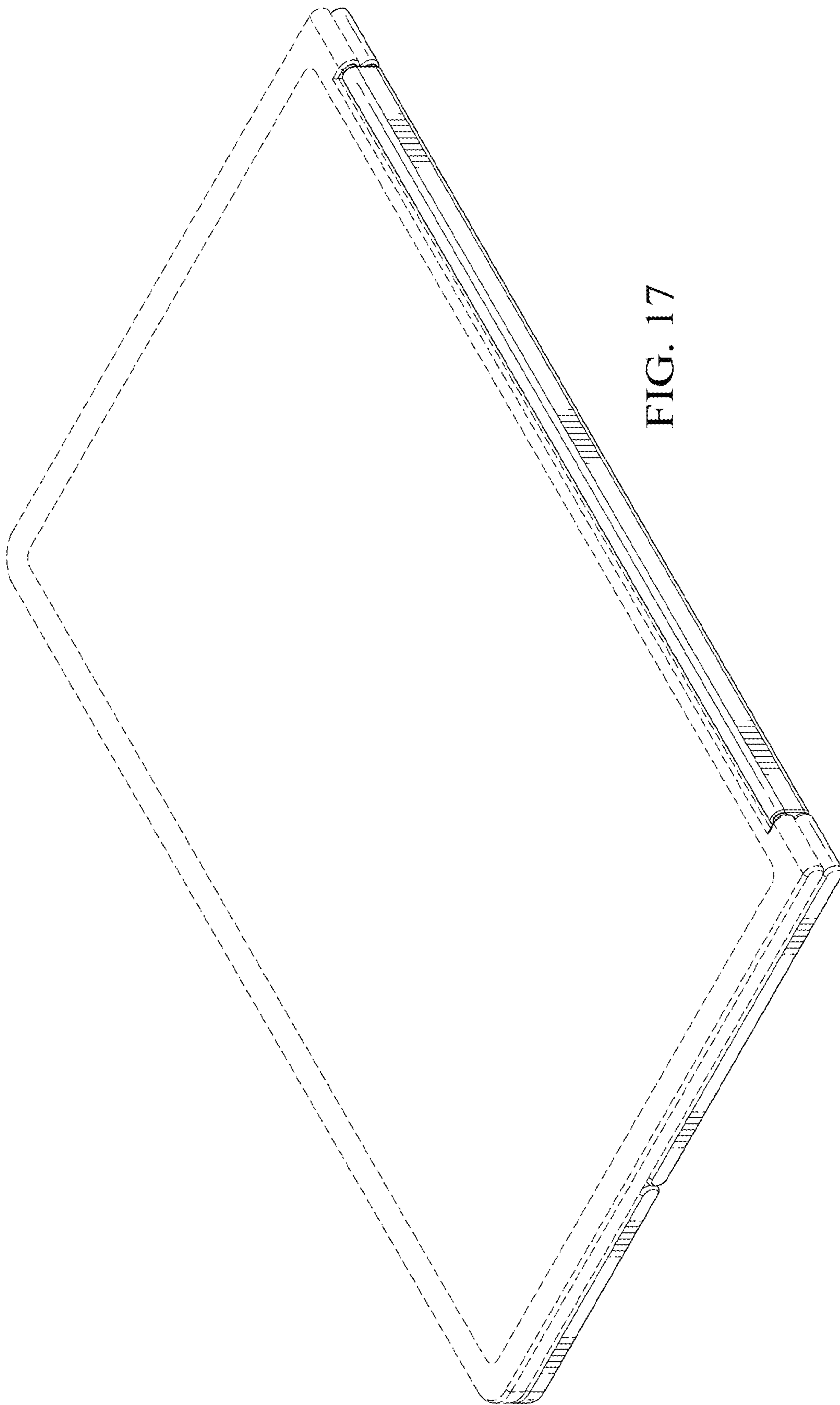


FIG. 17

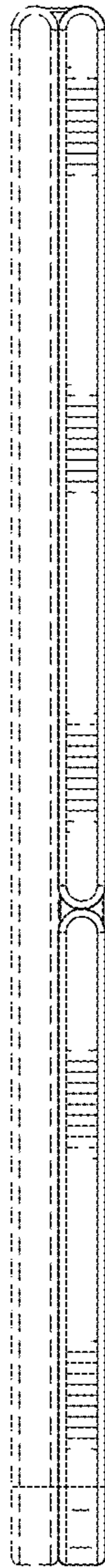


FIG. 18

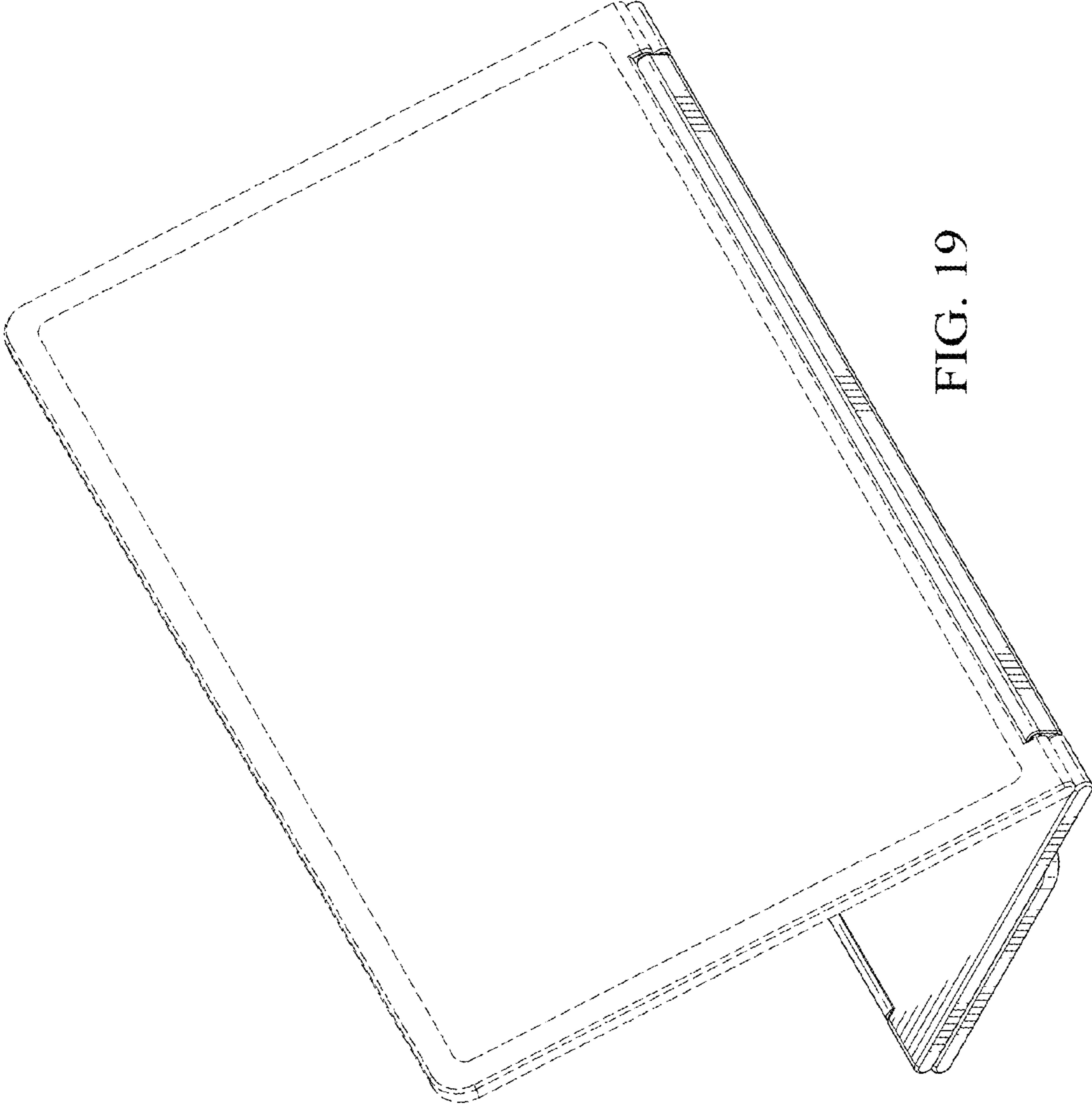


FIG. 19

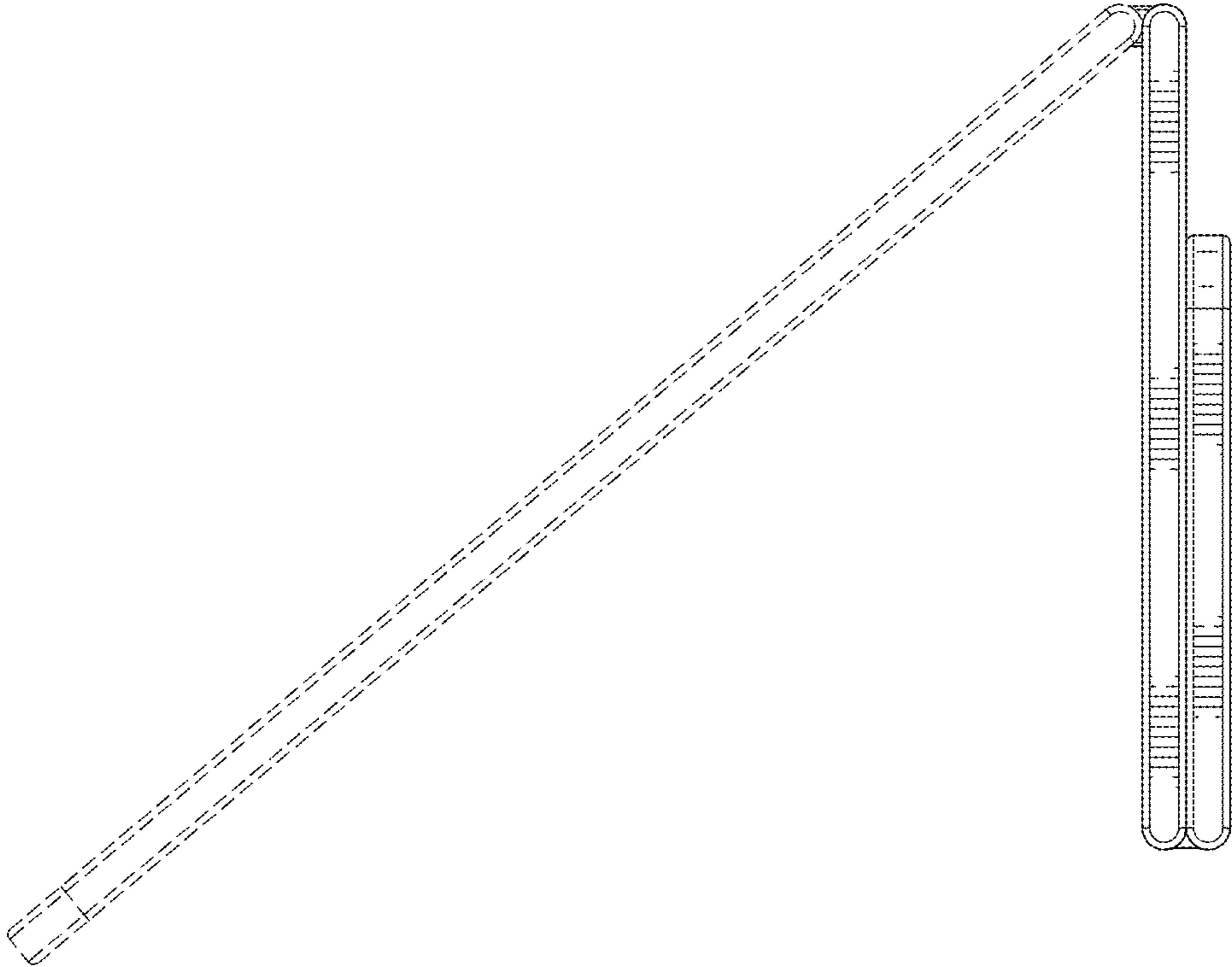
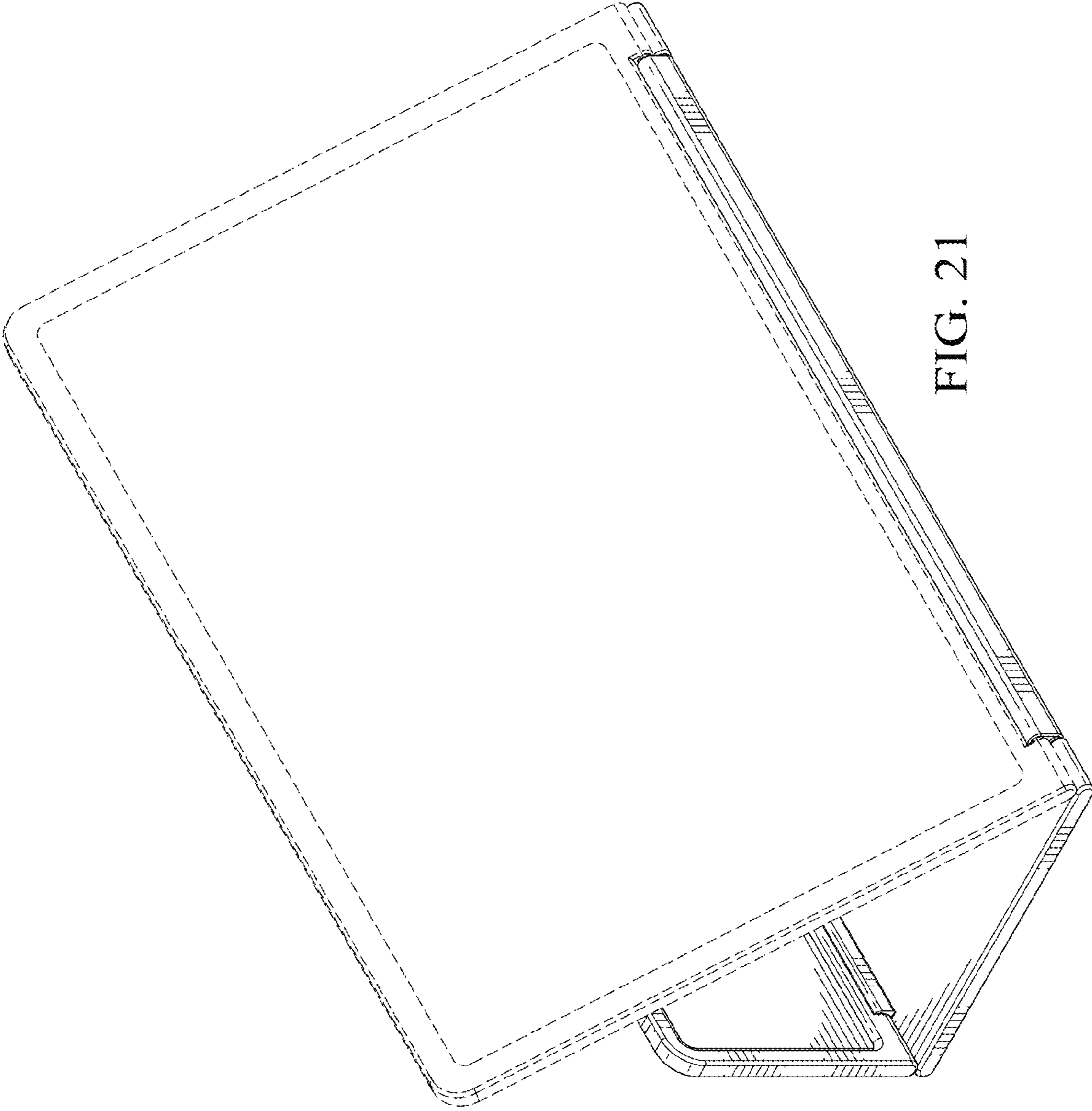


FIG. 20



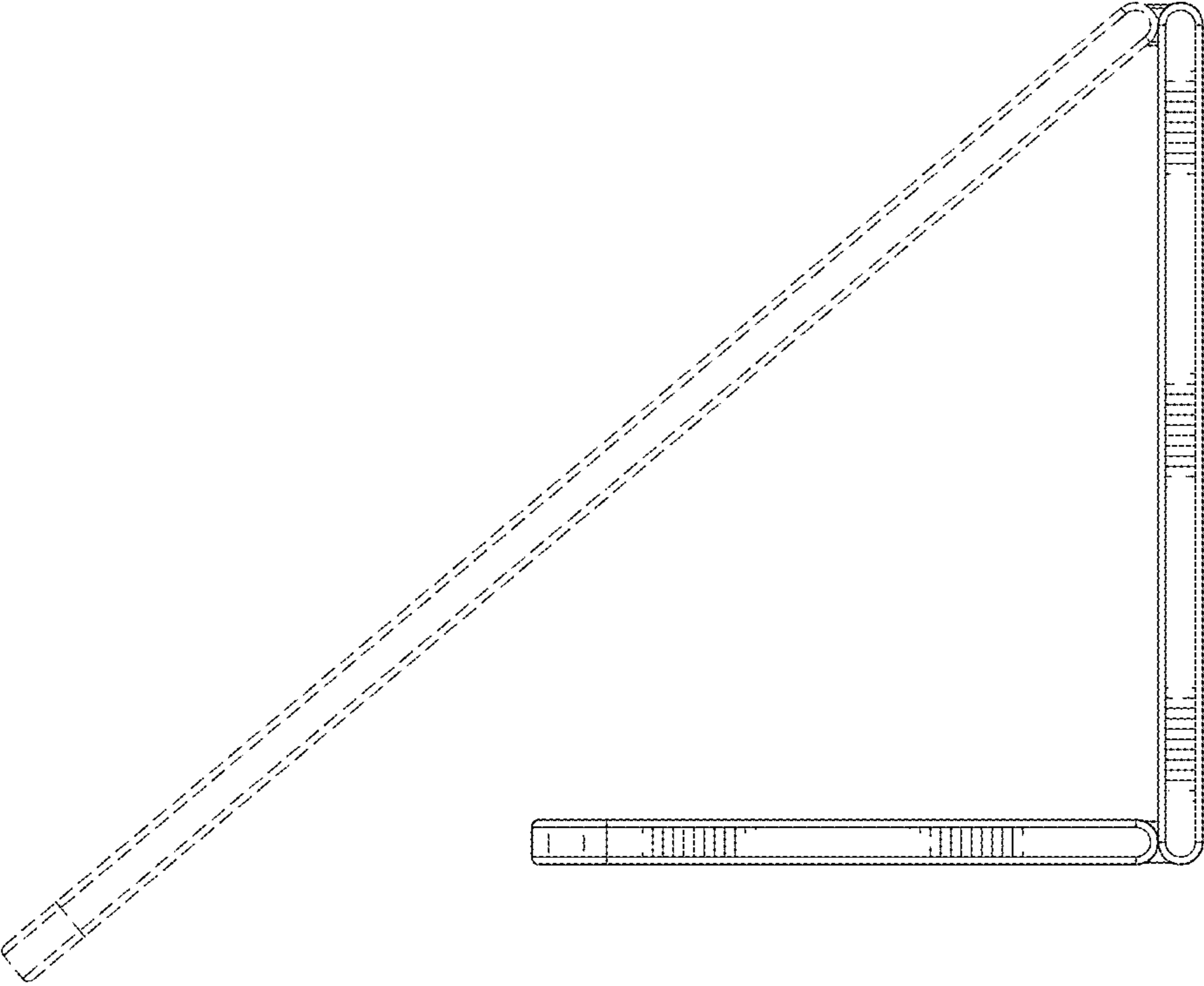


FIG. 22

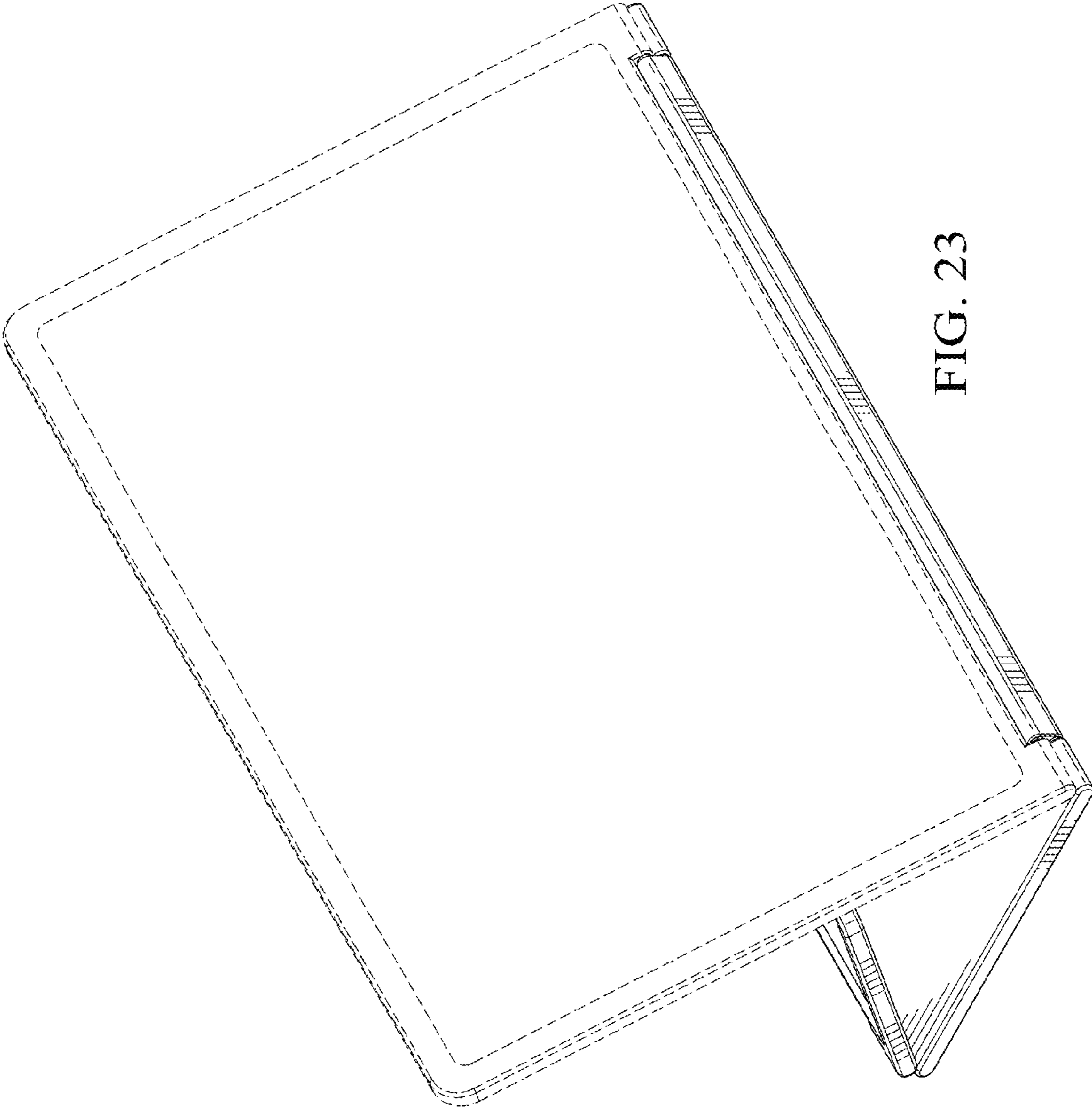


FIG. 23

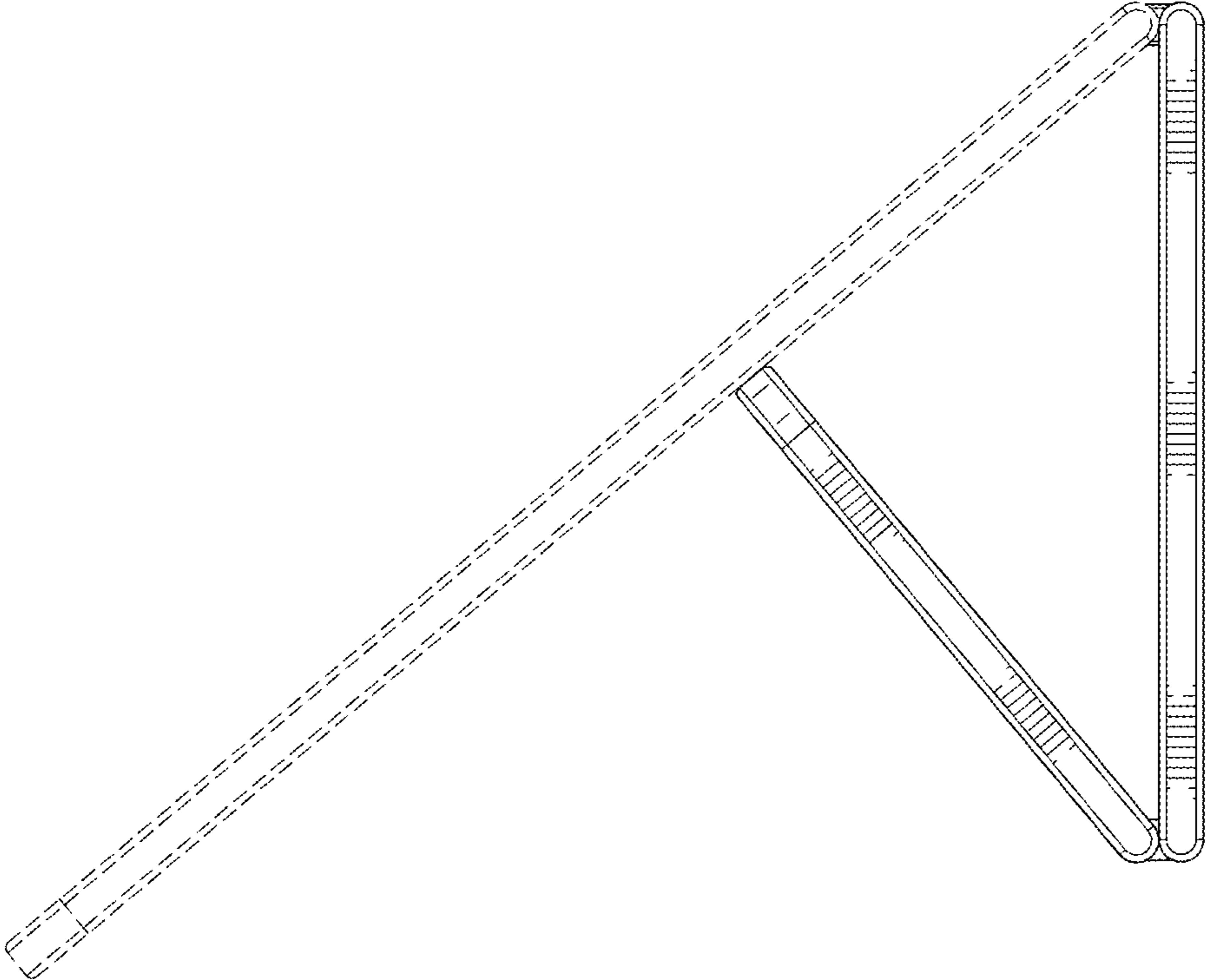


FIG. 24