



US00D767577S

(12) **United States Design Patent** (10) **Patent No.:** **US D767,577 S**
Kulkarni et al. (45) **Date of Patent:** **** Sep. 27, 2016**

(54) **SINGLE ARM ARTICULATING MOUNT FOR AN ELECTRONIC DISPLAY**

(71) Applicant: **Wirepath Home Systems, LLC**,
Charlotte, NC (US)

(72) Inventors: **Amit Kulkarni**, Redmond, WA (US);
Bryan Thomas Marcum, Georgetown,
KY (US); **Kai-Sheng Cheng**, Charlotte,
NC (US); **Christopher Glenn Franck**,
Fort Mill, SC (US)

(73) Assignee: **Wirepath Home Systems, LLC**,
Charlotte, NC (US)

(**) Term: **15 Years**

(21) Appl. No.: **29/541,039**

(22) Filed: **Sep. 30, 2015**

Related U.S. Application Data

(63) Continuation of application No. 29/469,952, filed on
Oct. 16, 2013, now Pat. No. Des. 743,969.

(51) **LOC (10) Cl.** **08-07**

(52) **U.S. Cl.**
USPC **D14/452**

(58) **Field of Classification Search**

USPC D14/371-382, 125-129, 336, 337,
D14/447-452, 492, 335, 239, 457, 439-441,
D14/432, 251-253; D8/349, 354, 363, 373,
D8/376, 380; D21/333; D12/415; D3/218;
348/180, 184, 325, 739, 825
CPC .. G06F 3/0412; G06F 1/13338; G06F 3/016;
G06F 3/0488; G06F 3/011; G06F 3/038;
G06F 3/03543; G06F 3/0338; G06F 3/0202;
G06F 3/0219; G06F 3/0213; G06F 1/1616;
G06F 3/023; G06F 3/04883; G09G 3/3648;
G02F 1/1313; G02F 1/1333; G02F 1/135;
G02F 1/132; G02F 1/133308; G02F
1/134309; G02F 1/13718; G06K 15/1252;
B41J 2/465; G03F 7/70291; G02B 27/0172;
G02B 5/30; G02B 2027/0188; G02B

27/0101; F16M 13/02; F16M 13/00; F16M
11/10; F16M 11/04; F16M 2200/08; F16M
11/2021; A47B 21/0314; A47B 88/044;
A47B 2021/0335; H02G 3/126; F16B 47/00;
F16B 47/006; A47G 1/17; A47K 2201/00
See application file for complete search history.

(56) **References Cited**

U.S. PATENT DOCUMENTS

5,379,205 A * 1/1995 Peng F21V 21/26
248/282.1
D435,852 S * 1/2001 Oddsen, Jr. D14/452

(Continued)

Primary Examiner — Garth Rademaker

Assistant Examiner — Katie Mroczka

(74) *Attorney, Agent, or Firm* — Myers Bigel & Sibley, PA

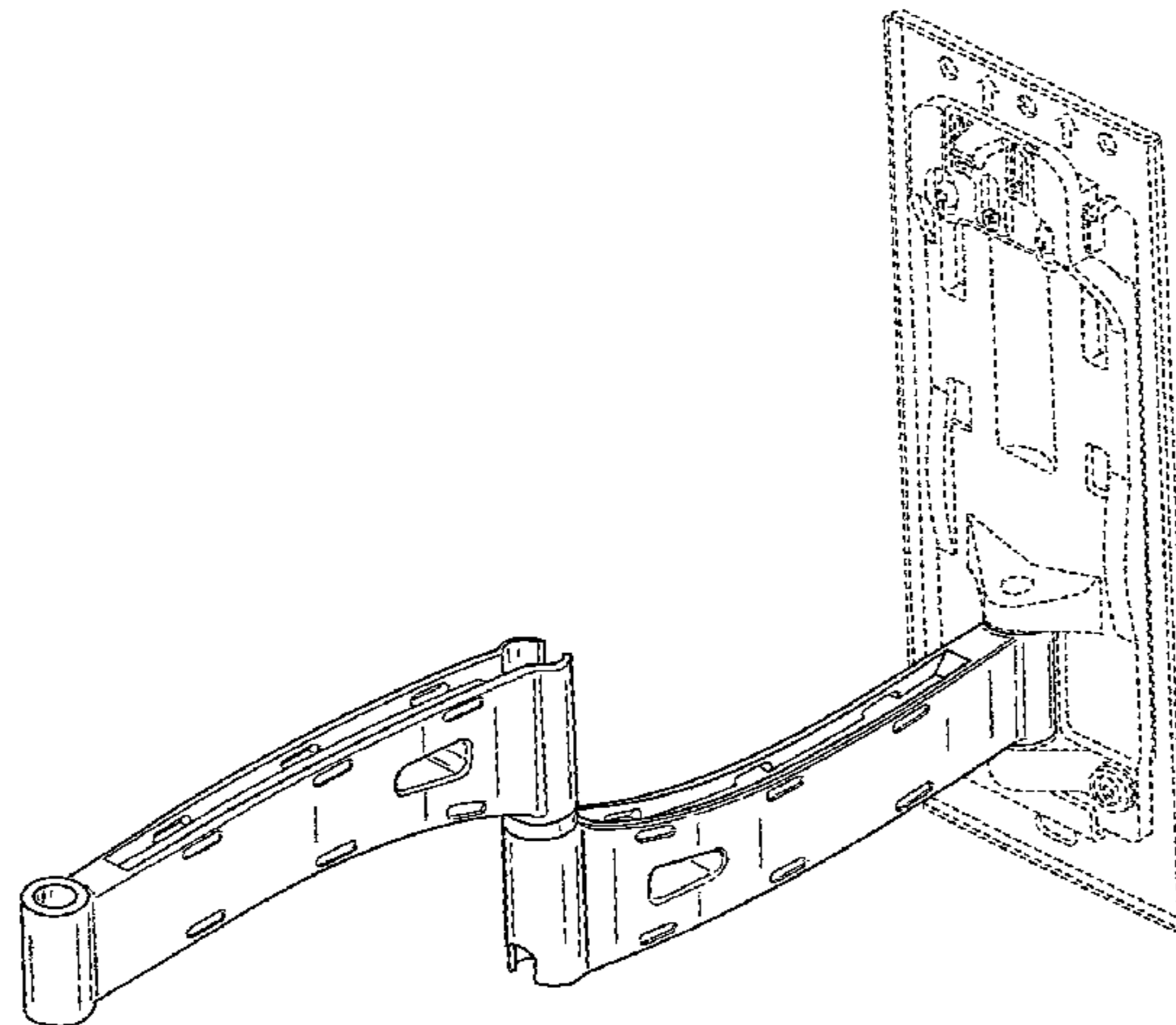
(57) **CLAIM**

The ornamental design for a single arm articulating mount
for an electronic display, as shown and described.

DESCRIPTION

FIG. 1 is a front perspective view illustrating a single arm
articulating mount for an electronic display, with a con-
nected display plate illustrated in broken lines;
FIG. 2 is a front perspective view illustrating the single arm
articulating mount for an electronic display, with the display
plate omitted;
FIG. 3 is a front view thereof;
FIG. 4 is a side view thereof;
FIG. 5 is an opposing side view thereof;
FIG. 6 is a top view thereof; and,
FIG. 7 is a bottom view thereof.
The broken lines in FIG. 1 illustrating the connected display
plate represent environment that forms no part of the
claimed design, while the remaining broken lines in FIGS.
1-7 illustrate portions of the single arm articulating mount
for an electronic display that form no part of the claimed
design.

1 Claim, 6 Drawing Sheets



(56)

References Cited

U.S. PATENT DOCUMENTS

6,758,454 B2 *	7/2004	Smed	F16M 11/04	D631,052 S *	1/2011	Hung	D14/452
			248/278.1	D636,765 S *	4/2011	Molter	D14/239
D507,477 S *	7/2005	Pfister	D14/451	D651,199 S *	12/2011	Huang	D14/239
D520,017 S *	5/2006	van Kuijk	D14/452	D652,030 S *	1/2012	Dolack	D14/239
D559,662 S *	1/2008	Sculler	D8/380	D660,843 S *	5/2012	Kaluza	D14/452
				D741,869 S *	10/2015	Xiang	D14/452
				D745,873 S *	12/2015	Xiang	D14/452

* cited by examiner

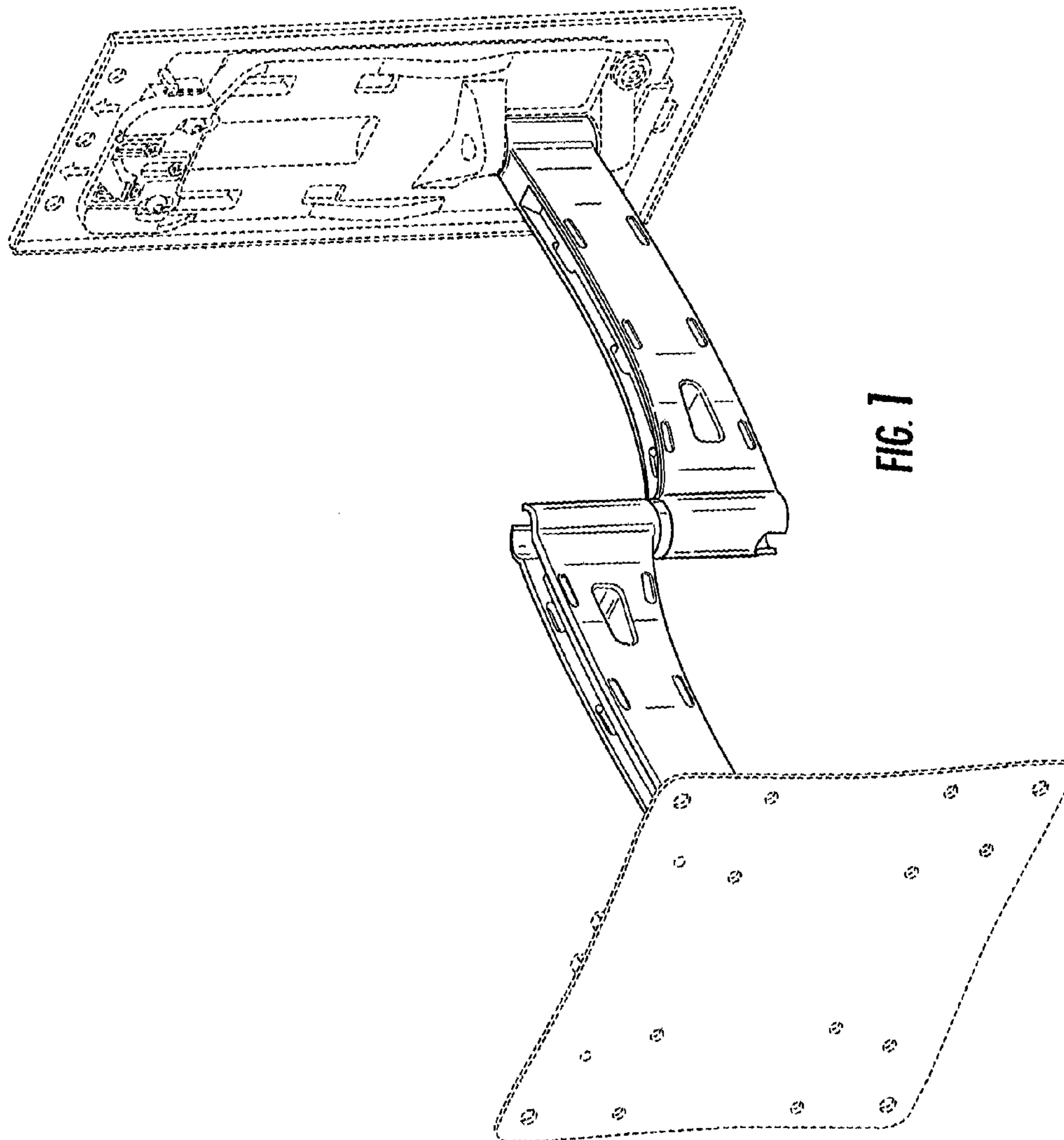


FIG. 1

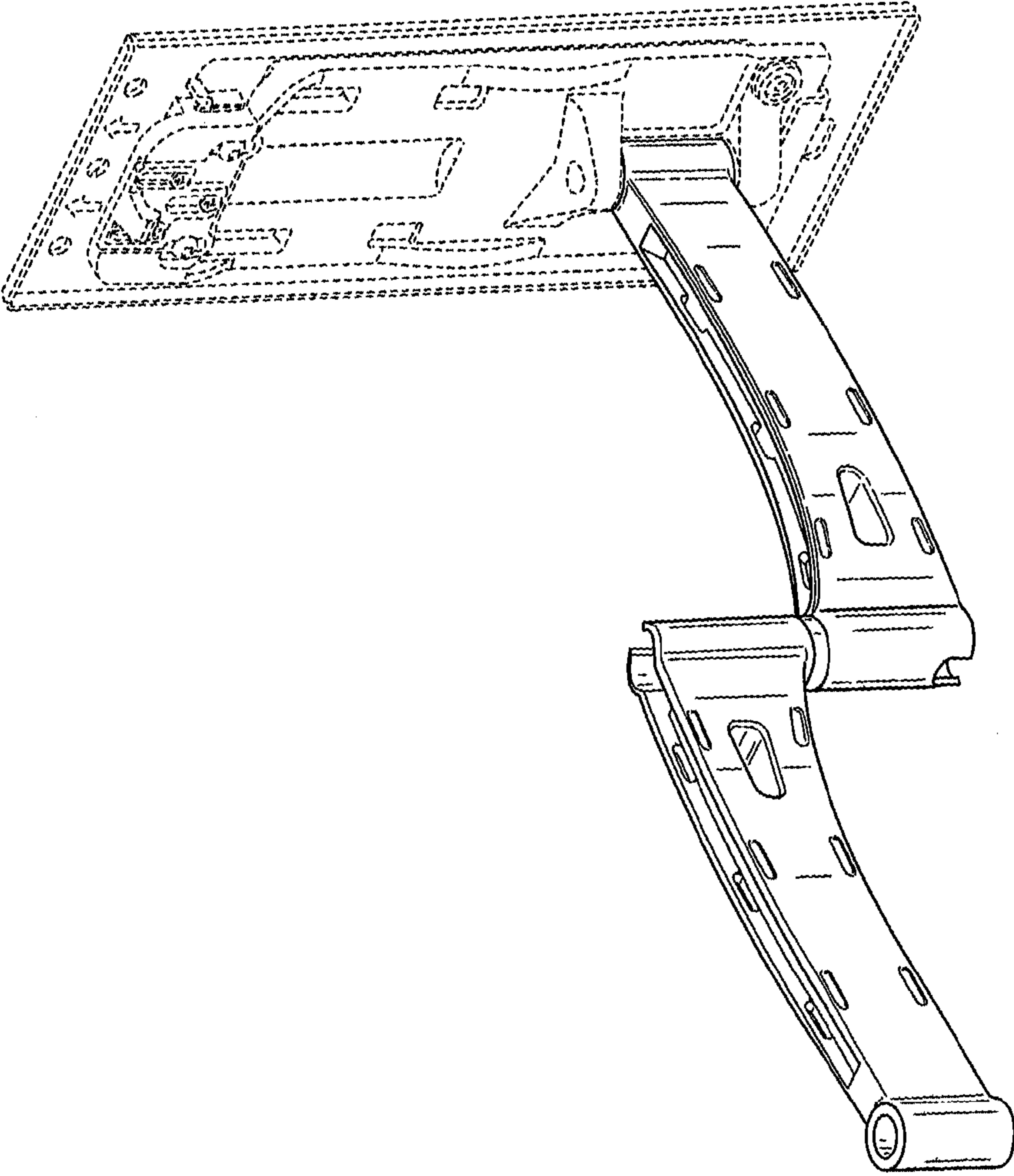


FIG. 2

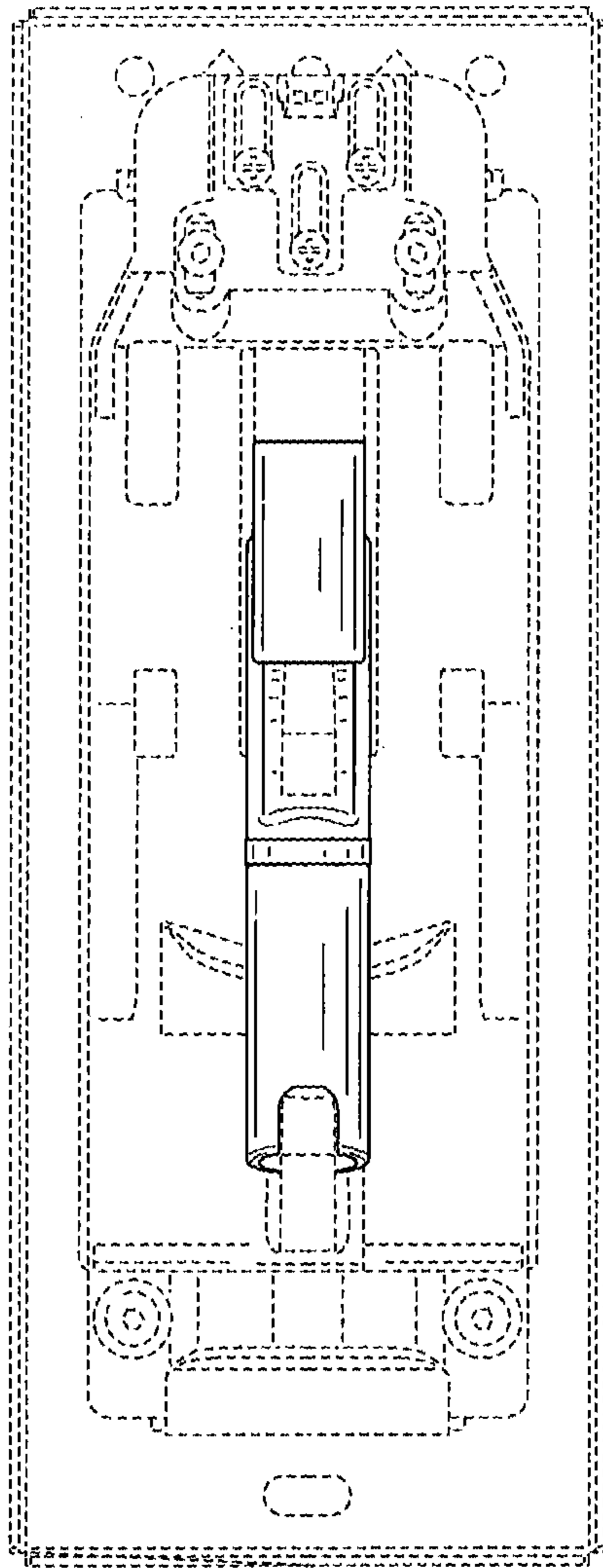


FIG. 3

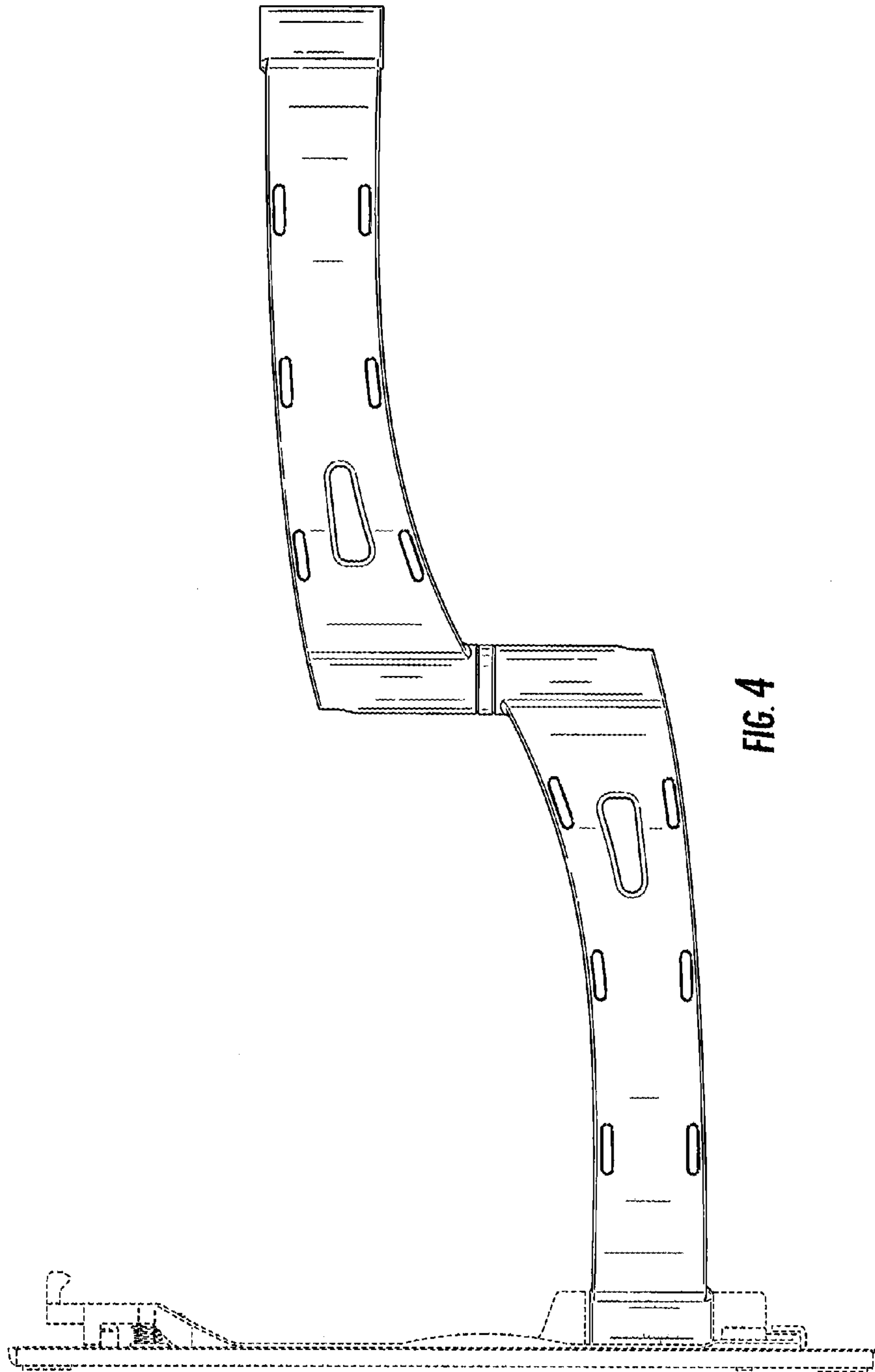


FIG. 4

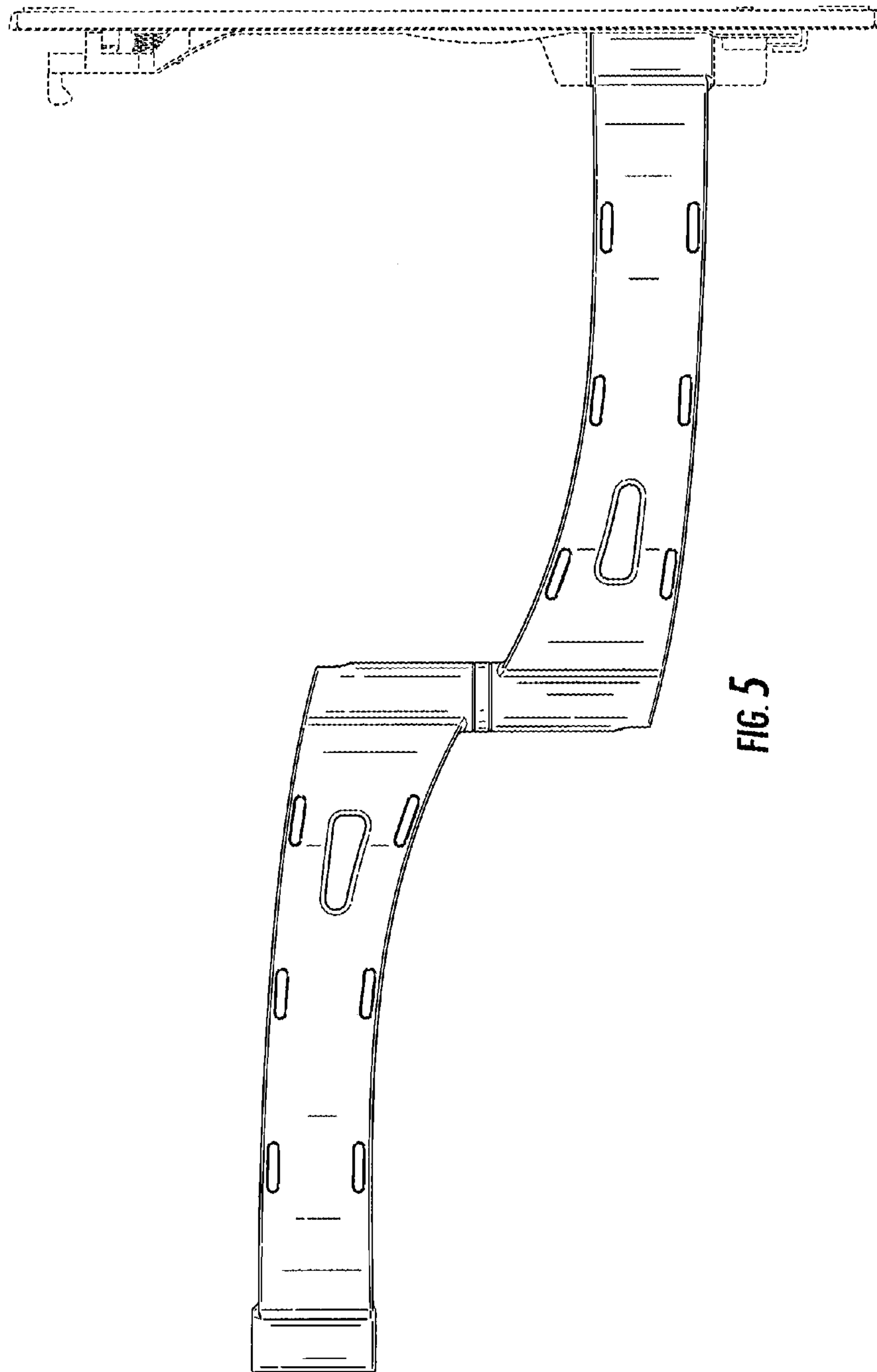


FIG. 5

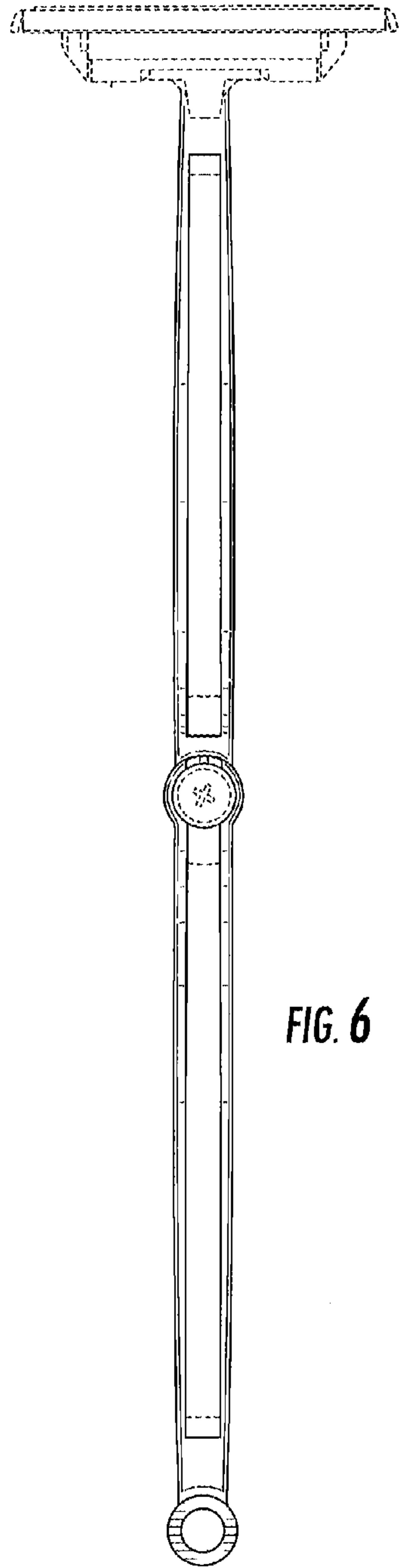


FIG. 6

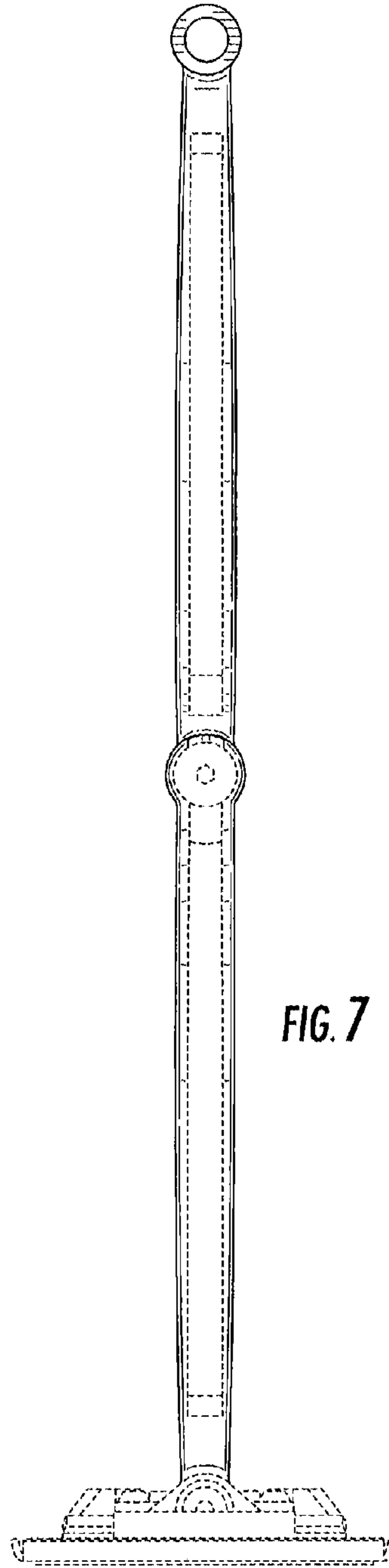


FIG. 7

UNITED STATES PATENT AND TRADEMARK OFFICE
CERTIFICATE OF CORRECTION

PATENT NO. : D767,577 S
APPLICATION NO. : 29/541039
DATED : September 27, 2016
INVENTOR(S) : Kulkarni et al.

Page 1 of 1

It is certified that error appears in the above-identified patent and that said Letters Patent is hereby corrected as shown below:

On the Title Page

Item (71) delete “**Wirepath Home Systems, LLC Charlotte, NC (US)**”
and insert -- **Wirepath Home Systems, LLC d/b/a SnapAV Charlotte, NC (US)** --

Item (73) delete “**Wirepath Home Systems, LLC Charlotte, NC (US)**”
and insert -- **Wirepath Home Systems, LLC d/b/a SnapAV Charlotte, NC (US)** --

Signed and Sealed this
Twenty-fourth Day of October, 2017



Joseph Matal

*Performing the Functions and Duties of the
Under Secretary of Commerce for Intellectual Property and
Director of the United States Patent and Trademark Office*