



US00D767573S

(12) **United States Design Patent** (10) **Patent No.:** **US D767,573 S**
Kim (45) **Date of Patent:** **** Sep. 27, 2016**

(54) **CASE FOR WRIST-WORN ELECTRONIC DEVICE HAVING A FRONT ENCLOSURE MEMBER AND A BODY ENCLOSURE MEMBER**

Primary Examiner — Cynthia Underwood
(74) *Attorney, Agent, or Firm* — East West Law Group; Heedong Chae

(71) Applicant: **Dae-Young Kim**, Seoul (KR)

(57) **CLAIM**

(72) Inventor: **Dae-Young Kim**, Seoul (KR)

The ornamental design for a case for wrist-worn electronic device having a front enclosure member and a body enclosure member, as shown and described.

(73) Assignee: **SPIGEN KOREA CO., LTD.**,
Geumcheon-Gu, Seoul (KR)

(**) Term: **14 Years**

DESCRIPTION

(21) Appl. No.: **29/524,722**

FIG. 1 is a front perspective view of a case for wrist-worn electronic device having a front enclosure member and a body enclosure member showing my new design;

(22) Filed: **Apr. 22, 2015**

FIG. 2 is a rear perspective view thereof;

(51) **LOC (10) Cl.** **14-02**

FIG. 3 is a front elevational view thereof;

(52) **U.S. Cl.**

FIG. 4 is a rear elevational view thereof;

USPC **D14/440**

FIG. 5 is a left side elevational view thereof; and

(58) **Field of Classification Search**

USPC D14/440, 250, 447, 344, 439, 432, 300;
206/45.23, 320, 45.2; 361/679.55;
294/25; 224/218; 1/1

FIG. 6 is a right side elevational view thereof;

CPC .. G06F 3/0416; G06F 3/04886; G06F 3/045;

FIG. 7 is a top plan view thereof;

G06F 3/041; G06F 1/1628; G06F 1/1613;

FIG. 8 is a bottom plan view thereof;

C08F 2/44; B41M 1/12; B32B 7/06; B29C

FIG. 9 is a front perspective view of the front enclosure member shown separated from the body enclosure member;

63/0047; B43L 3/00; H05K 13/00; C11D

FIG. 10 is a rear perspective view of the front enclosure member shown separated from the body enclosure member;

17/049; G03B 21/132; H04B 1/3888; H04B

FIG. 11 is a front perspective view of the body enclosure member shown separated from the front enclosure member;

1/385; A47B 23/044; A61B 5/02438; A61B

FIG. 12 is a rear perspective view of the body enclosure member shown separated from the front enclosure member;

5/1112; A44C 5/14

FIG. 13 is a front perspective view of the case for wrist-worn electronic device having a front enclosure member and a body enclosure member are shown separated for clarity of disclosure; and,

See application file for complete search history.

FIG. 14 is a rear perspective view of the case for wrist-worn electronic device having a front enclosure member and a body enclosure member are shown separated for clarity of disclosure.

(56) **References Cited**

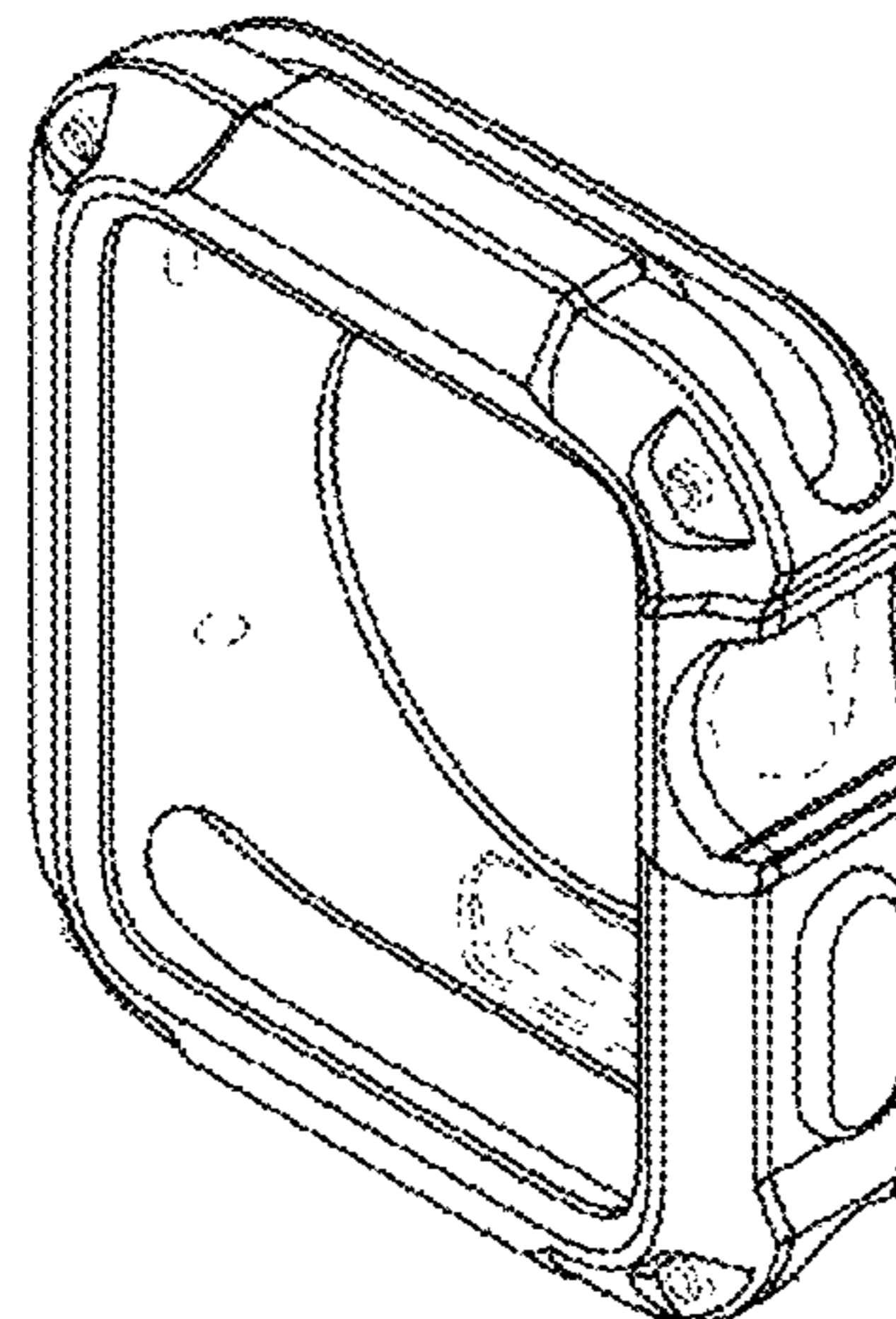
U.S. PATENT DOCUMENTS

D531,524 S * 11/2006 Behling D10/38
D638,324 S * 5/2011 Tang D10/128
7,946,758 B2 * 5/2011 Mooring G04B 37/005
368/276
D647,107 S * 10/2011 Akana D14/203.3
D656,135 S * 3/2012 Swartz D14/238.1

The broken lines depict environmental subject matter and form no part of the claim.

(Continued)

1 Claim, 14 Drawing Sheets



(56)

References Cited

U.S. PATENT DOCUMENTS

8,256,612 B1 *	9/2012	Wang	A45C 11/00 206/320	D735,198 S *	7/2015	Song	D14/432
D671,930 S *	12/2012	Akana	D14/250	D735,199 S *	7/2015	Song	D14/432
D673,937 S *	1/2013	Cheng	D14/250	D735,200 S *	7/2015	Song	D14/432
D674,789 S *	1/2013	Wen	D14/250	D735,586 S *	8/2015	Stegmann	D10/30
D678,262 S *	3/2013	Prato	D14/250	D735,724 S *	8/2015	Song	D14/432
D681,483 S *	5/2013	Biegert	D10/38	D736,103 S *	8/2015	Behling	D10/30
D688,582 S *	8/2013	Wilson	D10/128	D751,558 S *	3/2016	Lee	D10/103
D688,967 S *	9/2013	Wilson	D10/128	D752,044 S *	3/2016	Akana	D14/344
8,523,124 B2 *	9/2013	Yuan	F16M 11/10 248/188.8	D754,133 S *	4/2016	Chen	D14/440
D693,709 S *	11/2013	Lee	D10/65	2010/0061191 A1 *	3/2010	Chen	A44C 5/0069 368/109
D703,649 S *	4/2014	Wikel	D14/250	2011/0297578 A1 *	12/2011	Stiehl	B29C 45/1676 206/701
D714,295 S *	9/2014	Fujioka	D14/440	2012/0043236 A1 *	2/2012	Szucs	A45C 11/00 206/320
D716,312 S *	10/2014	Fujioka	D14/440	2012/0182678 A1 *	7/2012	Wu	A45F 5/10 361/679.01
D723,016 S *	2/2015	Lee	D14/250	2012/0257340 A1 *	10/2012	Kim	H04B 1/3888 361/679.01
D728,549 S *	5/2015	Su	D14/250	2013/0222139 A1 *	8/2013	Gouge	A61B 5/01 340/573.1
D730,225 S *	5/2015	Behar	D10/103					

* cited by examiner

FIG. 1

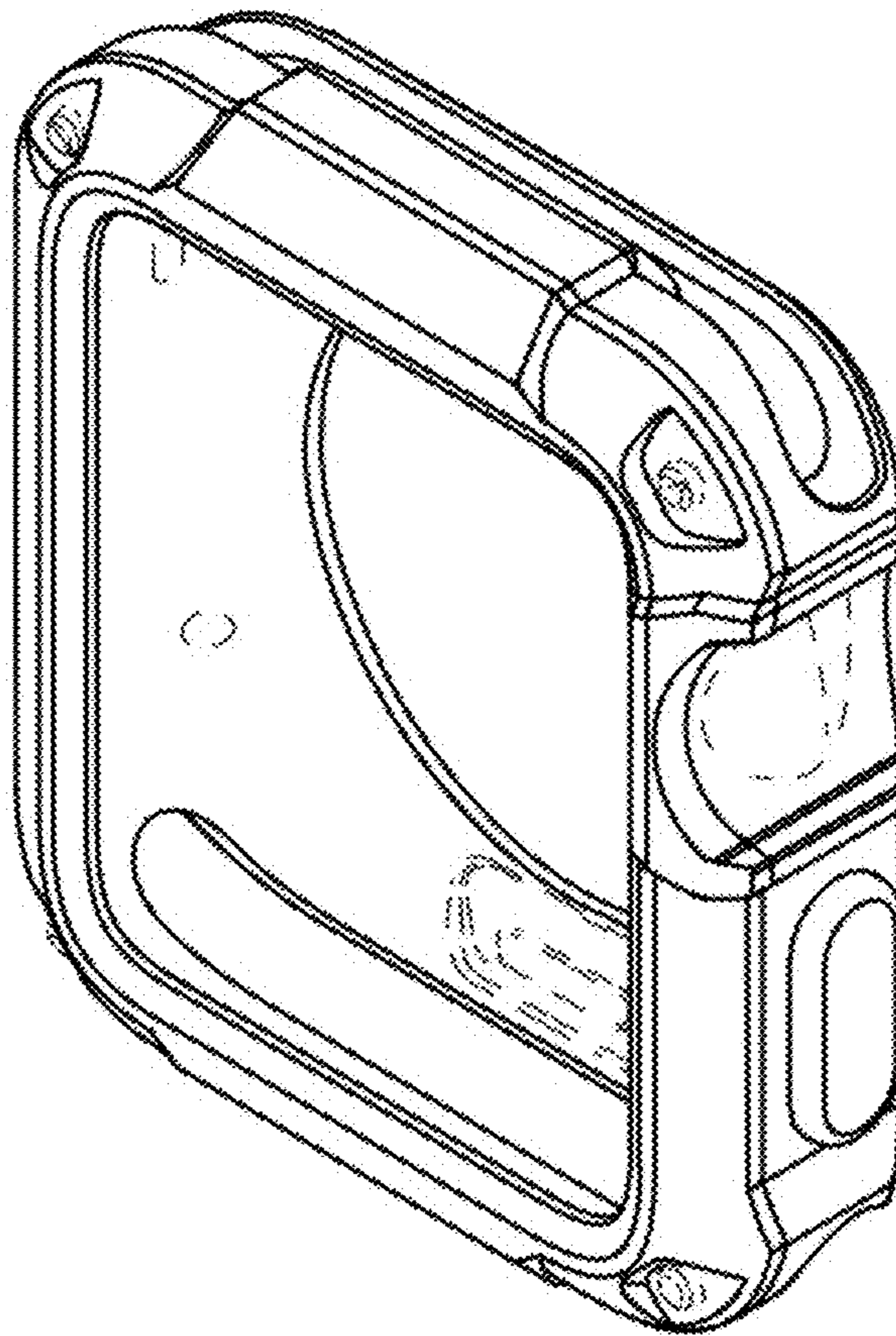


FIG. 2

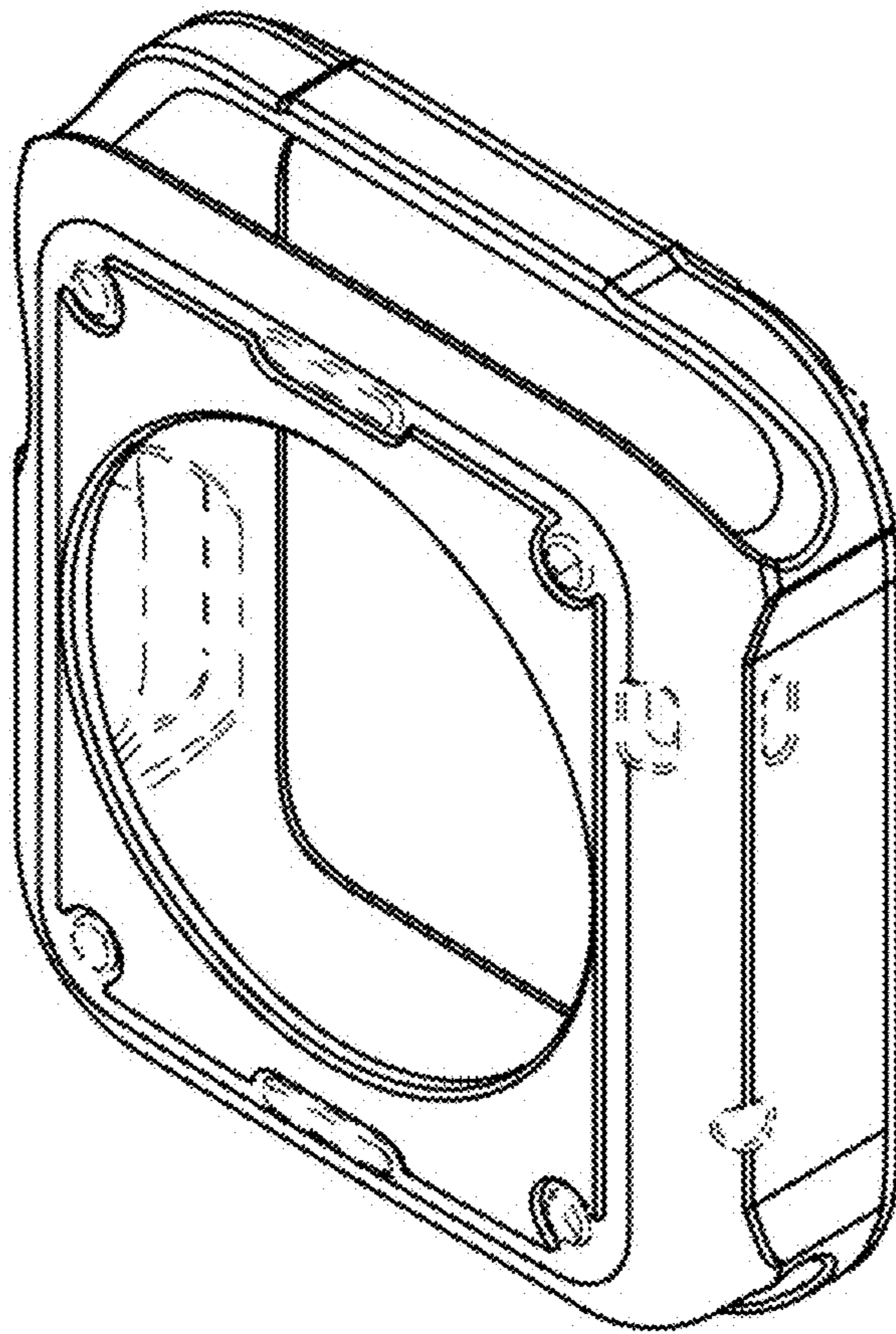


FIG. 3

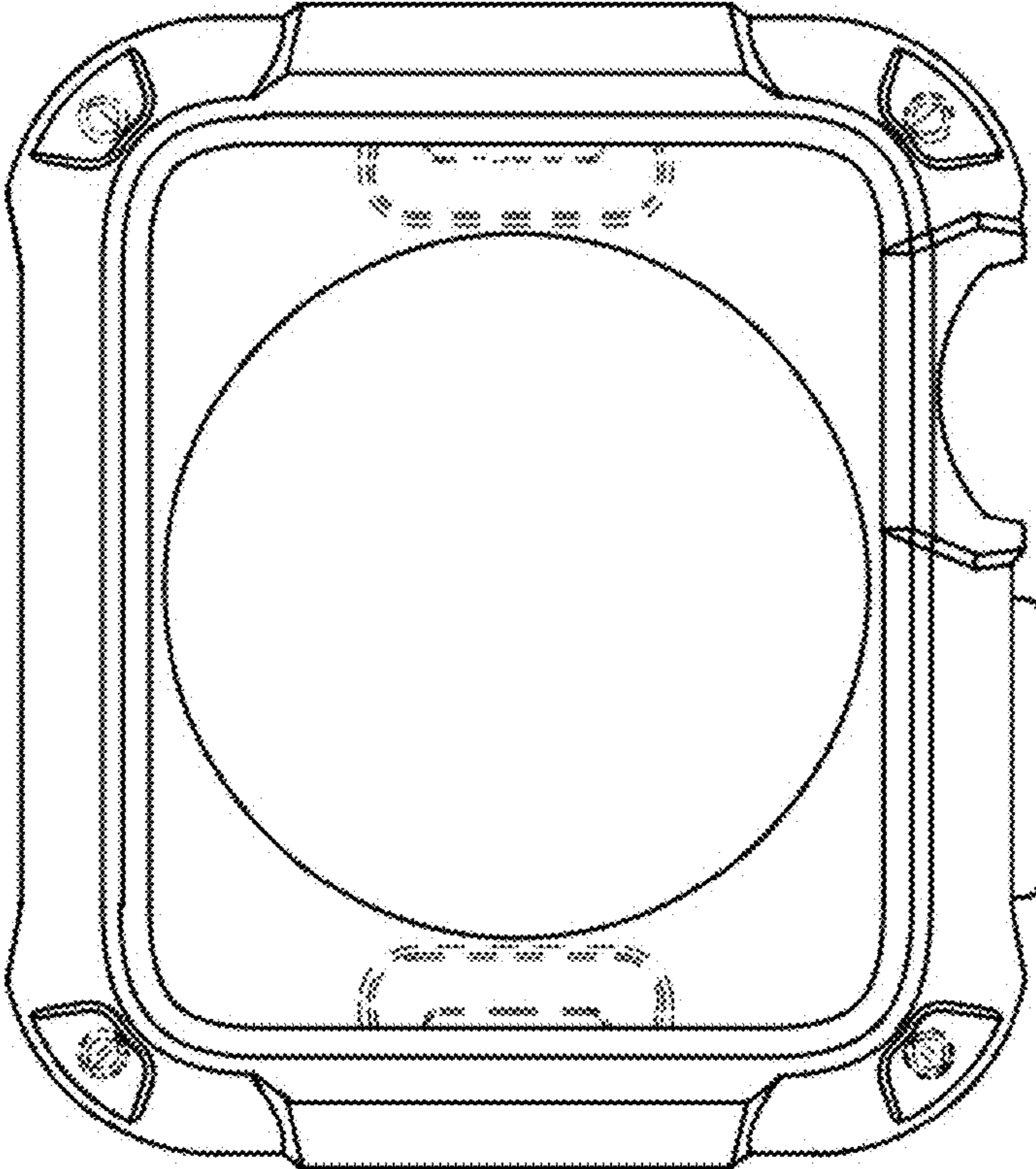


FIG. 4

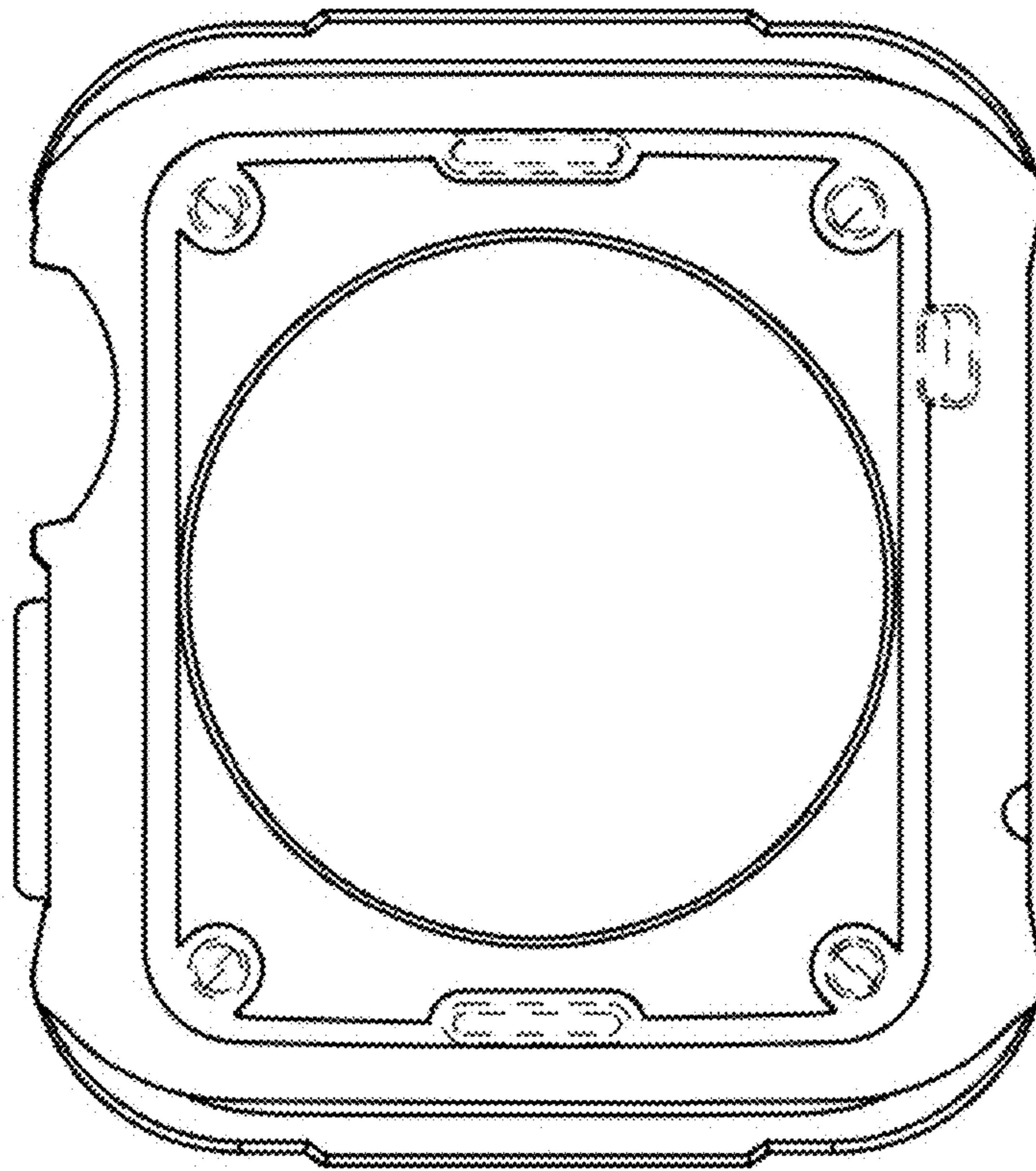


FIG. 5

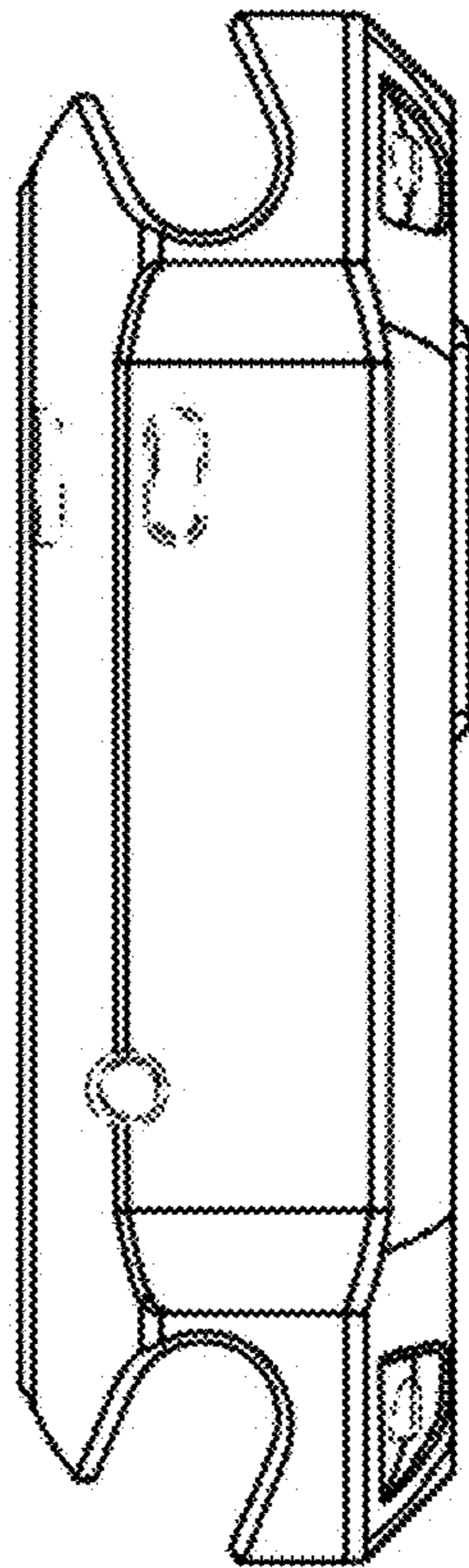


FIG. 6

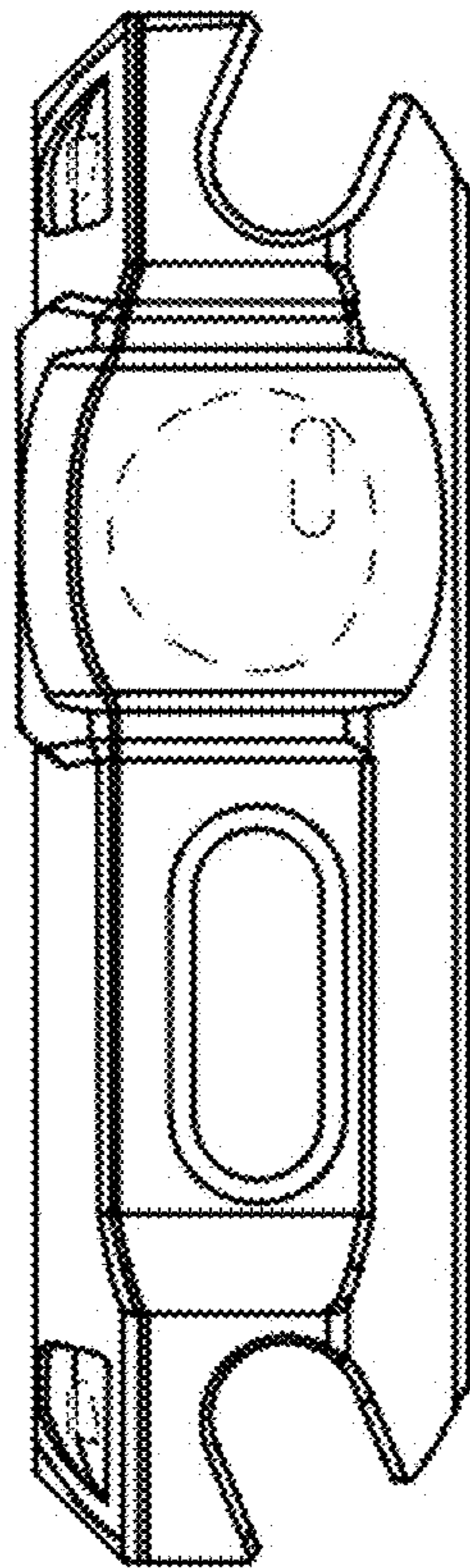


FIG. 7

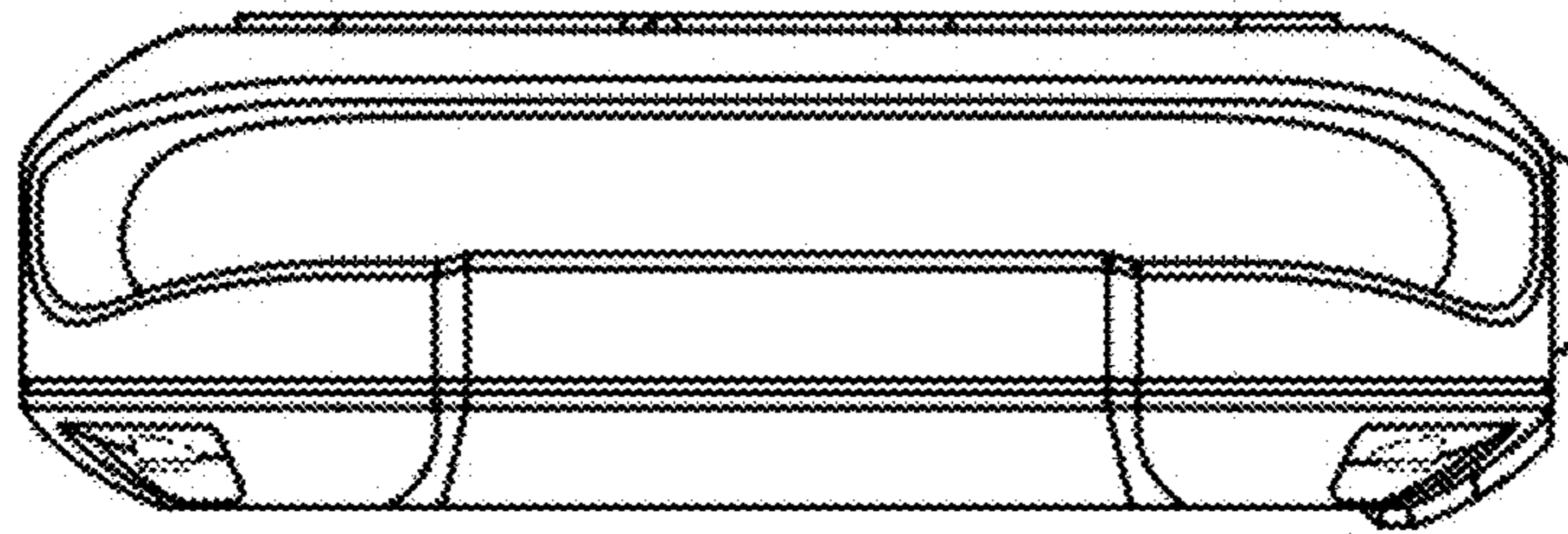


FIG. 8



FIG. 9

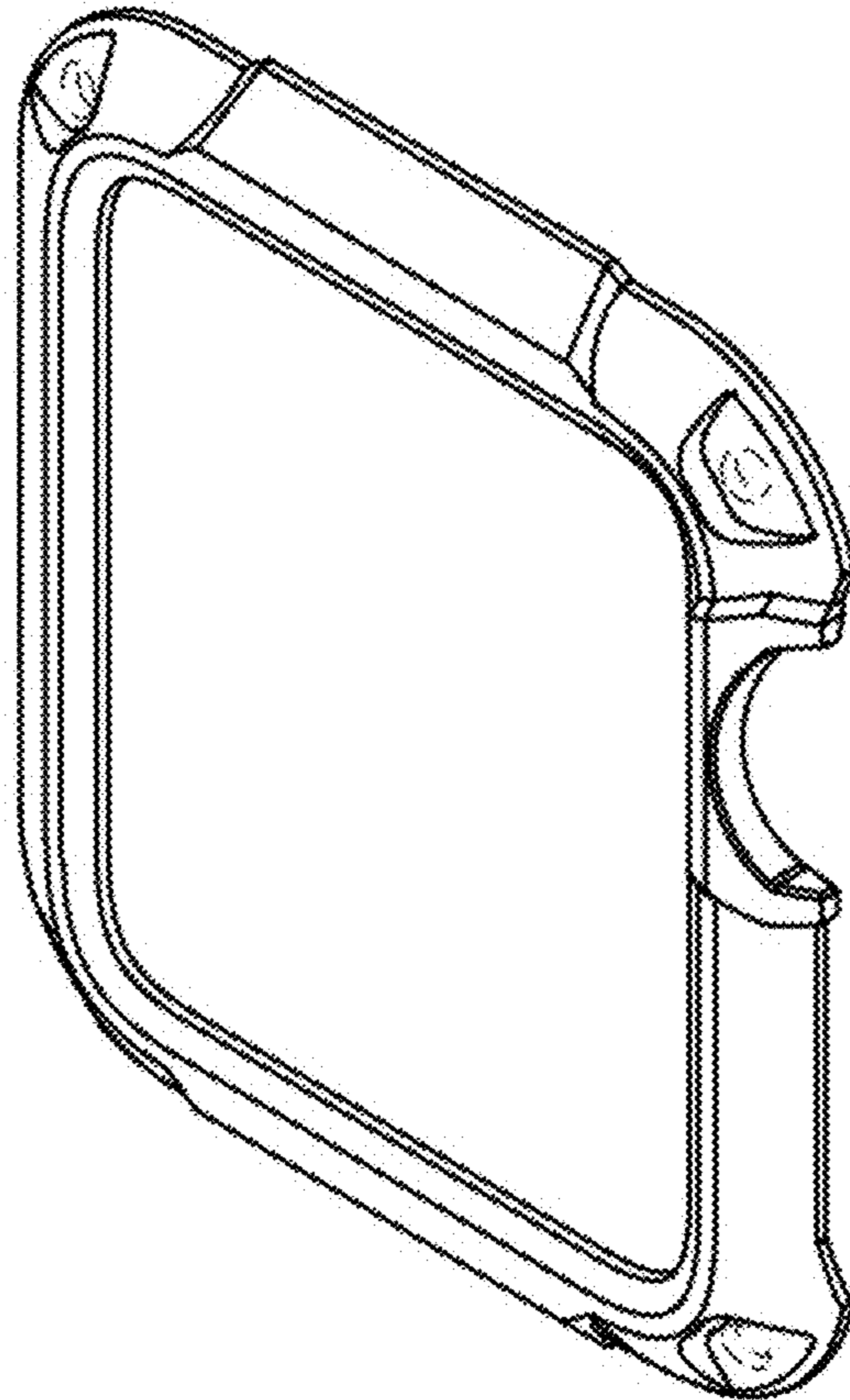


FIG. 10

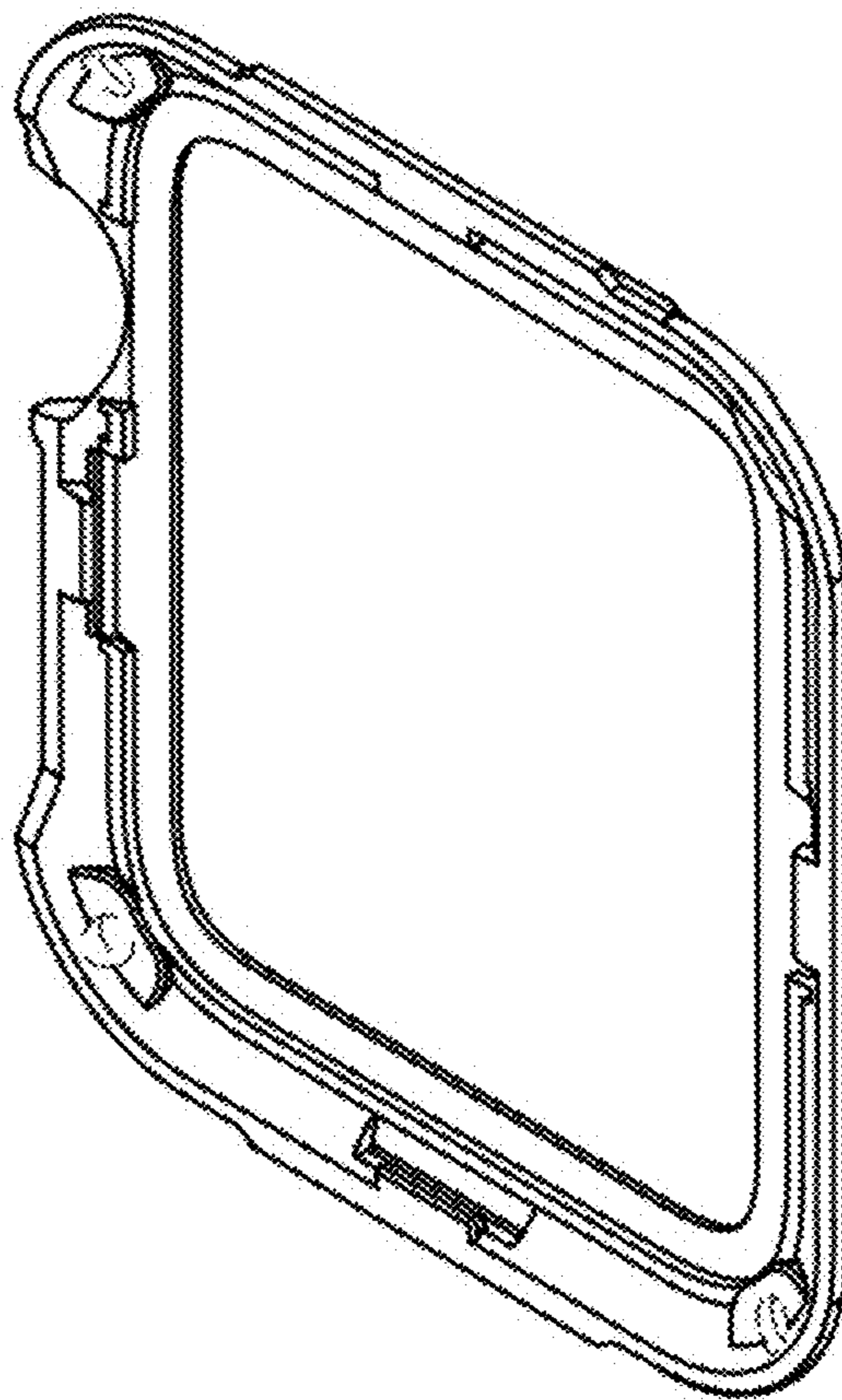


FIG. 11

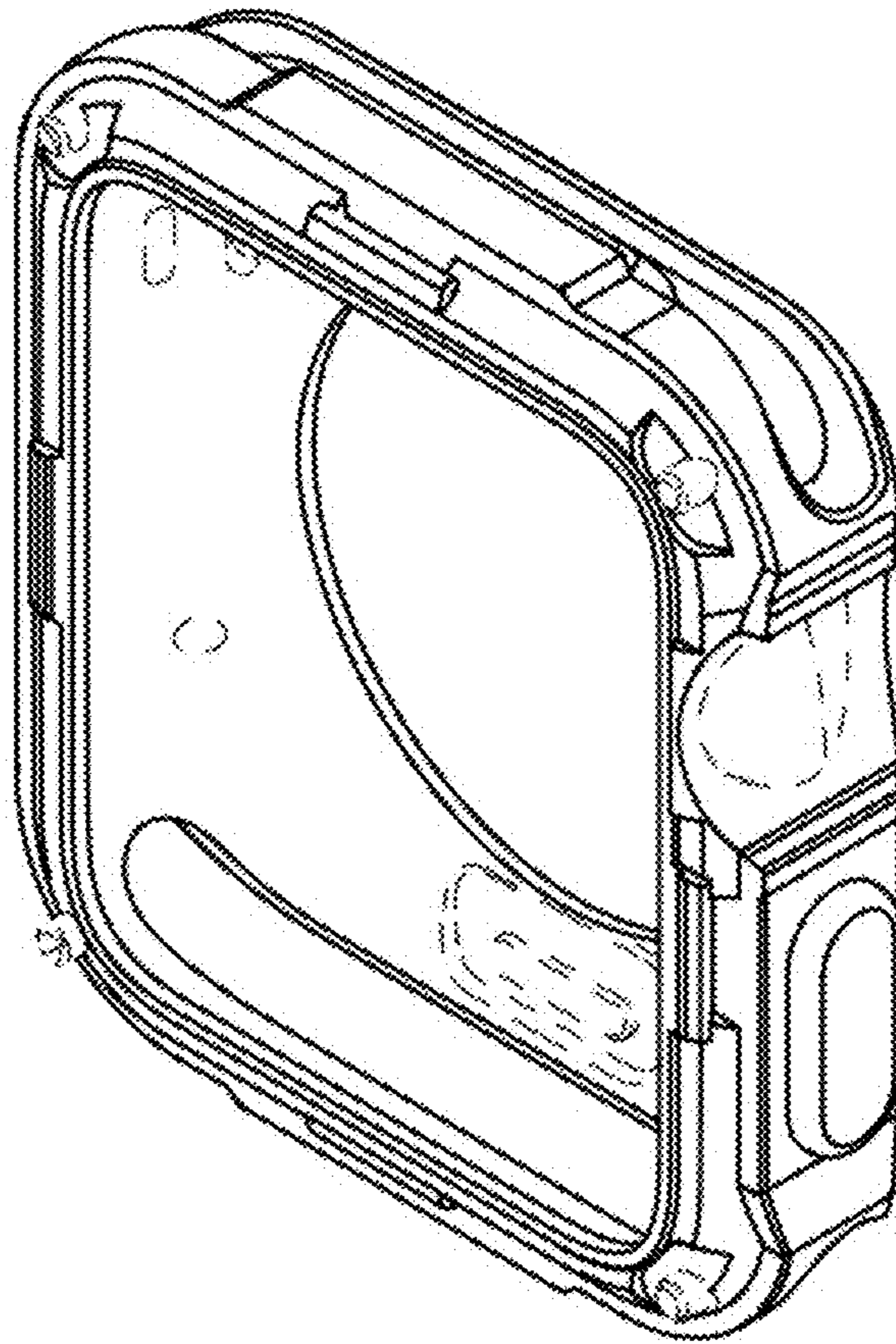


FIG. 12

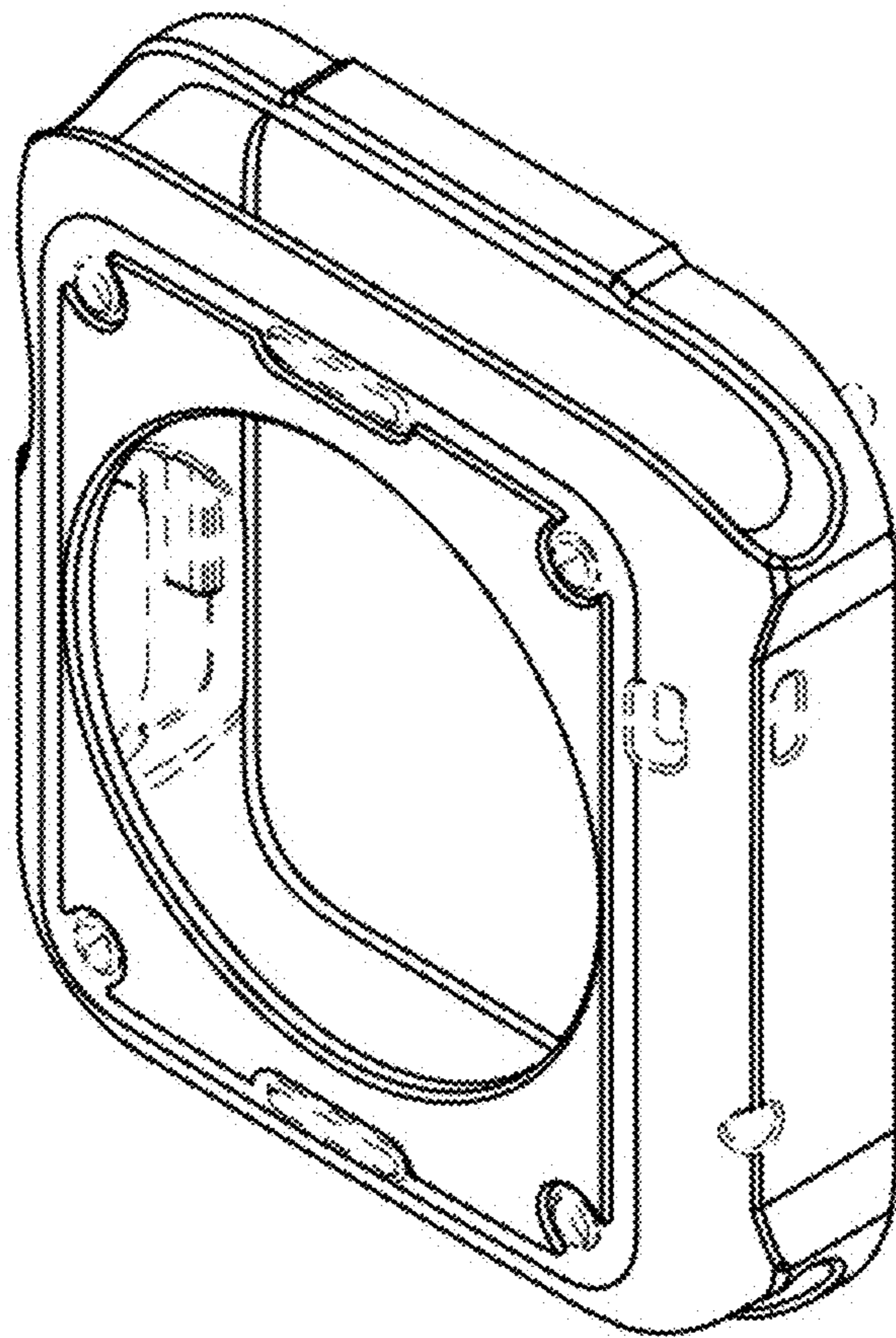


FIG. 13

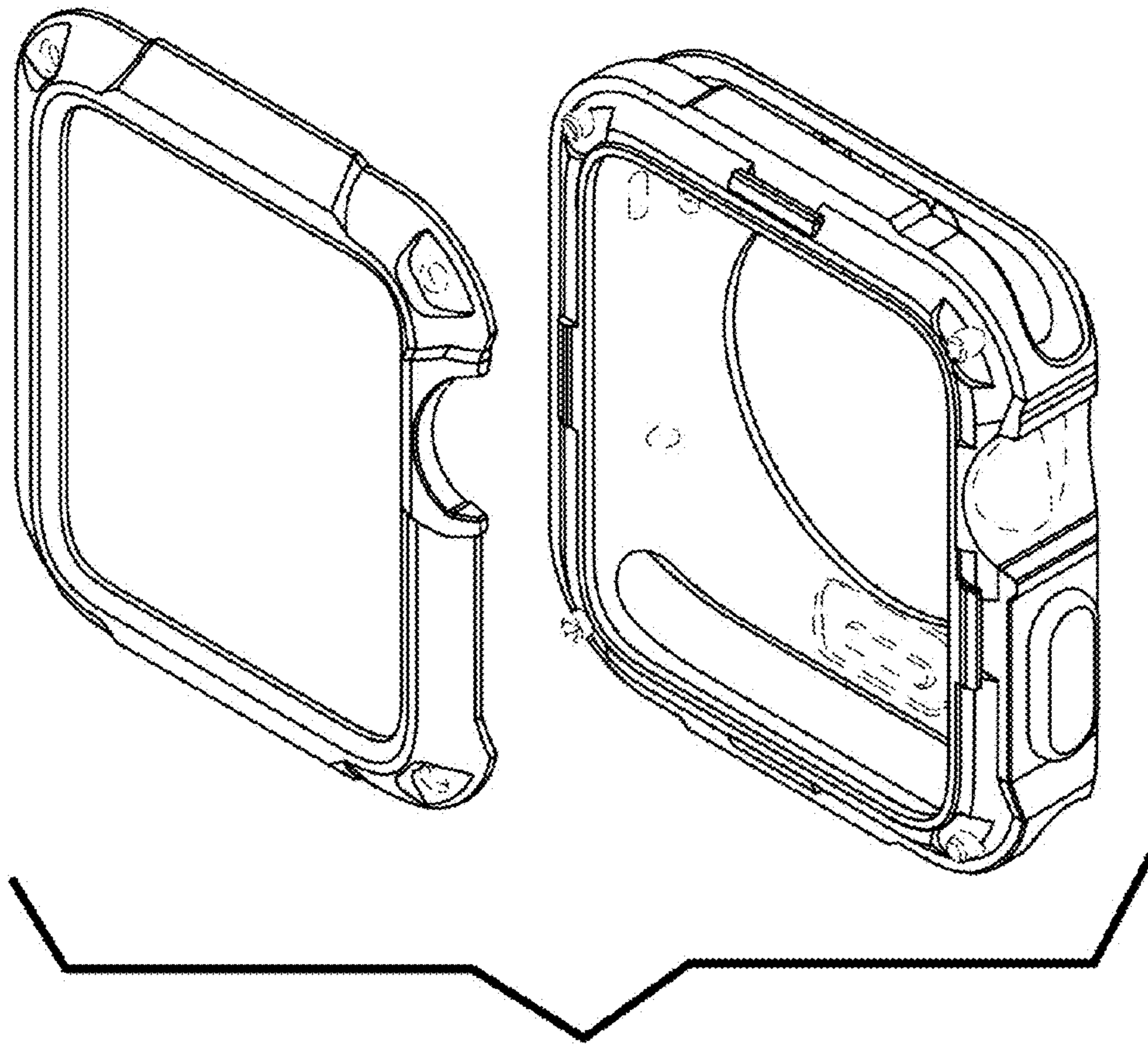


FIG. 14

