

US00D767569S

(12) **United States Design Patent**  
**Yeom**

(10) **Patent No.:** **US D767,569 S**  
(45) **Date of Patent:** **\*\* Sep. 27, 2016**

(54) **DISPLAY DEVICE**

(71) Applicant: **Lenovo (Beijing) Co., Ltd.**, Beijing (CN)

(72) Inventor: **Jihun Yeom**, Beijing (CN)

(73) Assignee: **Lenovo (Beijing) Co., Ltd.**, Beijing (CN)

(\*\*) Term: **14 Years**

(21) Appl. No.: **29/516,368**

(22) Filed: **Jan. 30, 2015**

(30) **Foreign Application Priority Data**

Aug. 1, 2014 (CN) ..... 2014 3 0269434

(51) **LOC (10) Cl.** ..... **14-02**

(52) **U.S. Cl.**  
USPC ..... **D14/374**

(58) **Field of Classification Search**

USPC ..... D14/371-375, 125-129, 336, 337, 341;  
341/12; 345/104, 156, 168, 173;  
348/180, 184, 325, 739; 349/1, 2, 11,  
349/62; 361/679.05-679.07, 679.21;  
D6/300, 308

CPC ..... G06F 1/16; G06F 1/1601; G06F 3/037;  
G06F 1/162; F16M 11/02; F16M 11/10;  
F16M 11/04; F16M 11/046

See application file for complete search history.

(56) **References Cited**

**U.S. PATENT DOCUMENTS**

D428,415 S \* 7/2000 Shibata ..... D14/126  
6,822,857 B2 \* 11/2004 Jung ..... F16M 11/10  
248/920

D512,424 S \* 12/2005 Kim ..... D14/375  
D537,079 S \* 2/2007 Park ..... D14/375  
D558,201 S \* 12/2007 Park ..... D14/375  
7,513,468 B2 \* 4/2009 Jung ..... F16M 11/046  
248/133  
7,770,856 B2 \* 8/2010 Depay ..... F16M 11/10  
248/278.1  
D631,042 S \* 1/2011 Chen ..... D14/337  
D650,386 S \* 12/2011 Lee ..... D14/374  
8,070,115 B2 \* 12/2011 Wang ..... F16M 11/04  
248/133  
D703,631 S \* 4/2014 Hallar ..... D14/126  
2003/0223188 A1 \* 12/2003 Ha ..... F16M 11/04  
361/679.06

\* cited by examiner

*Primary Examiner* — Freda S Nunn

(74) *Attorney, Agent, or Firm* — Oppedahl Patent Law Firm LLC

(57) **CLAIM**

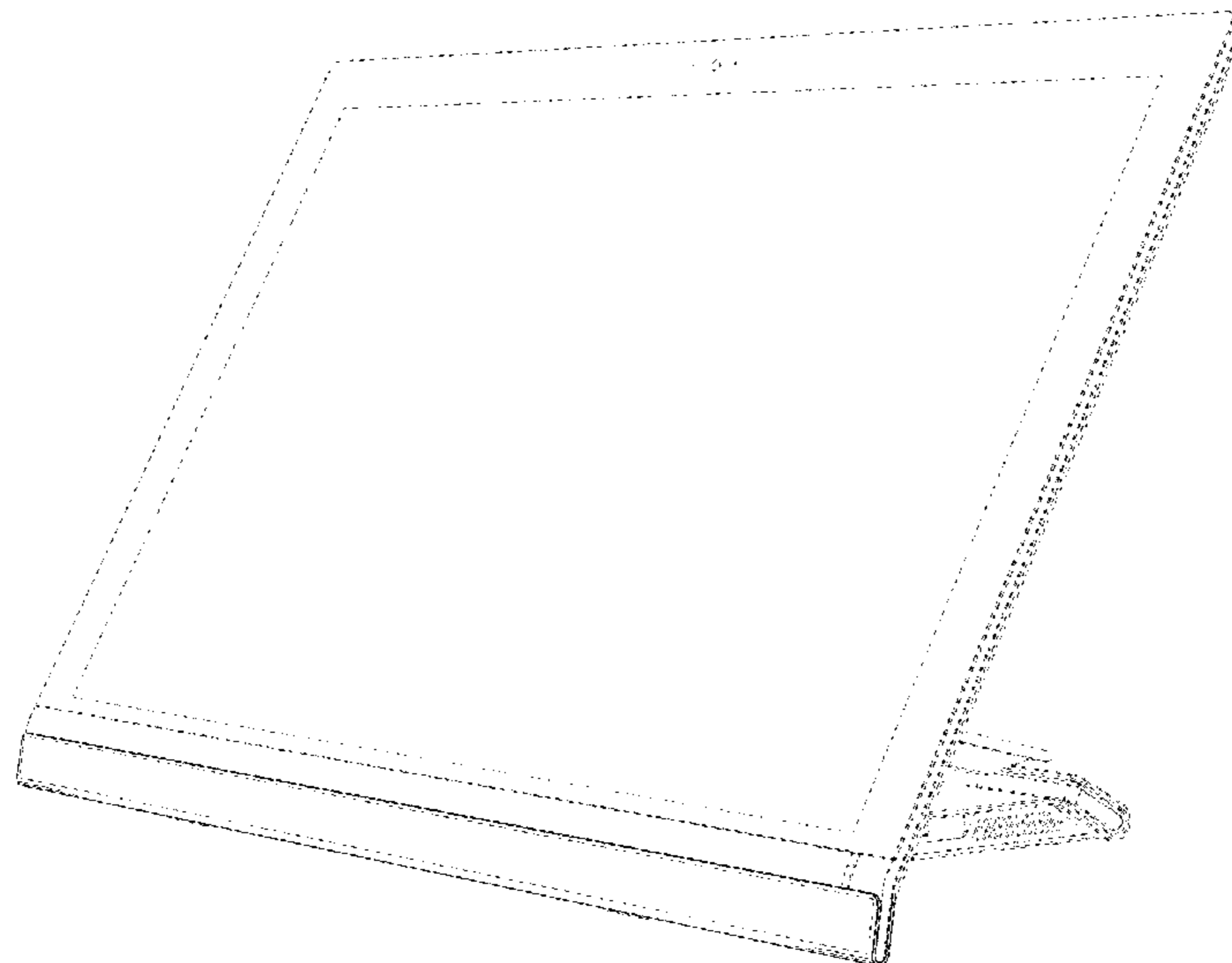
The ornamental design for a display device, as shown and described.

**DESCRIPTION**

FIG. 1 is a front view of a display device showing my new design;  
FIG. 2 is a rear view thereof;  
FIG. 3 is a bottom view thereof;  
FIG. 4 is a perspective view thereof shown in a first configuration;  
FIG. 5 is a perspective view thereof shown in a second configuration; and,  
FIG. 6 is a perspective view thereof shown in a third configuration.

The features shown in broken lines in the drawings depict environmental subject matter and unclaimed borders and form no part of the claimed design.

**1 Claim, 6 Drawing Sheets**



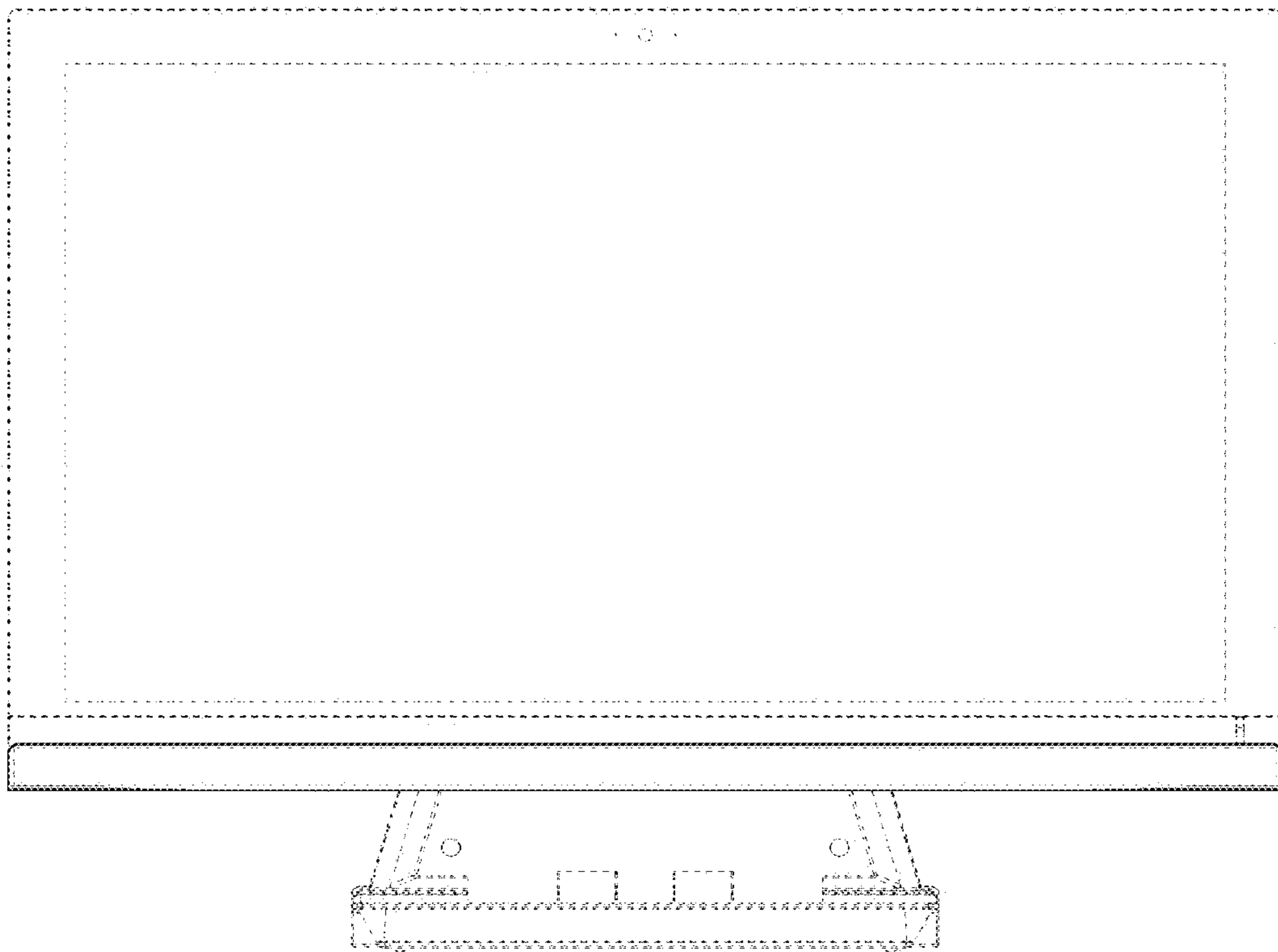


Figure 1

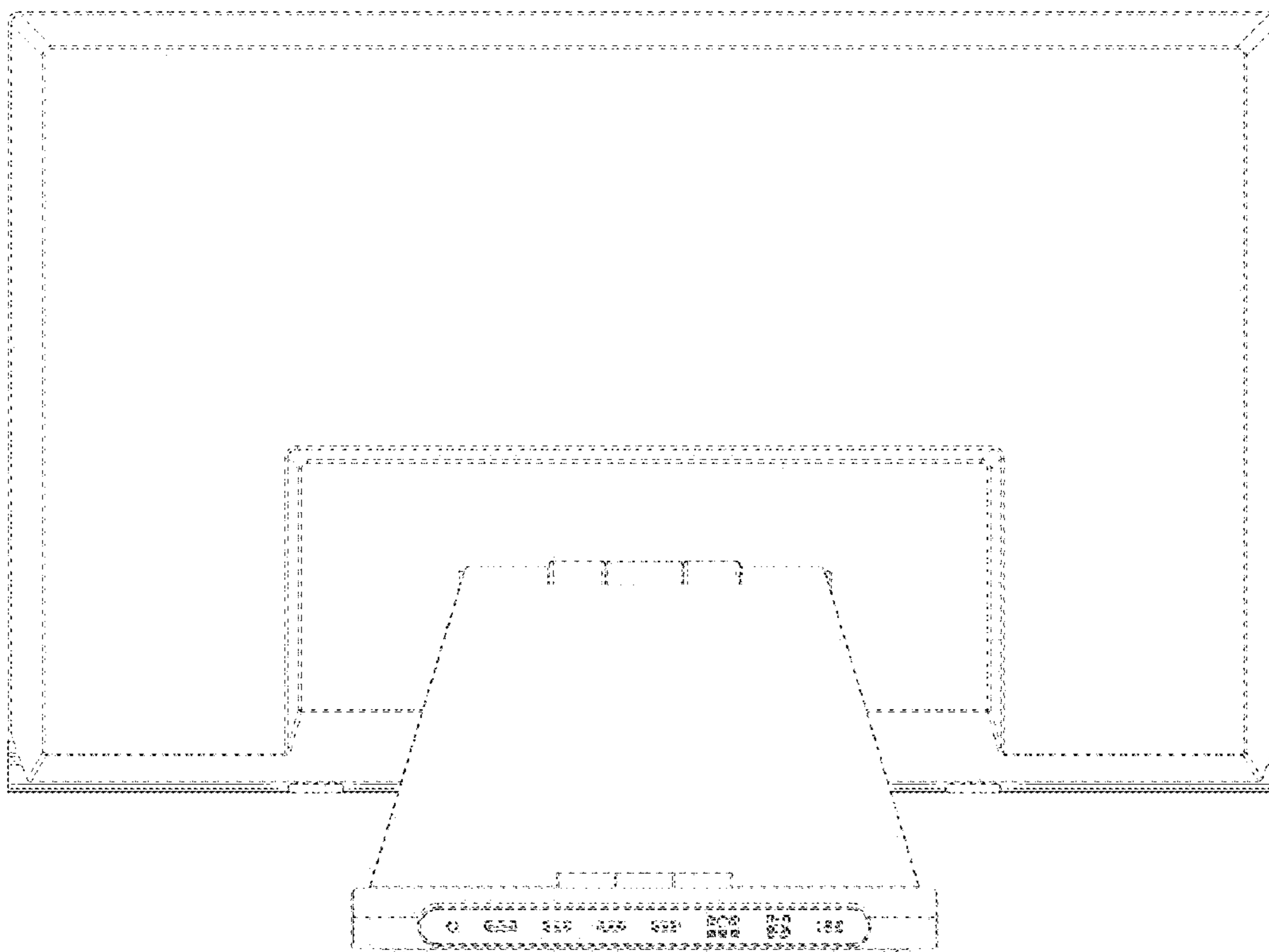


Figure 2



Figure 3

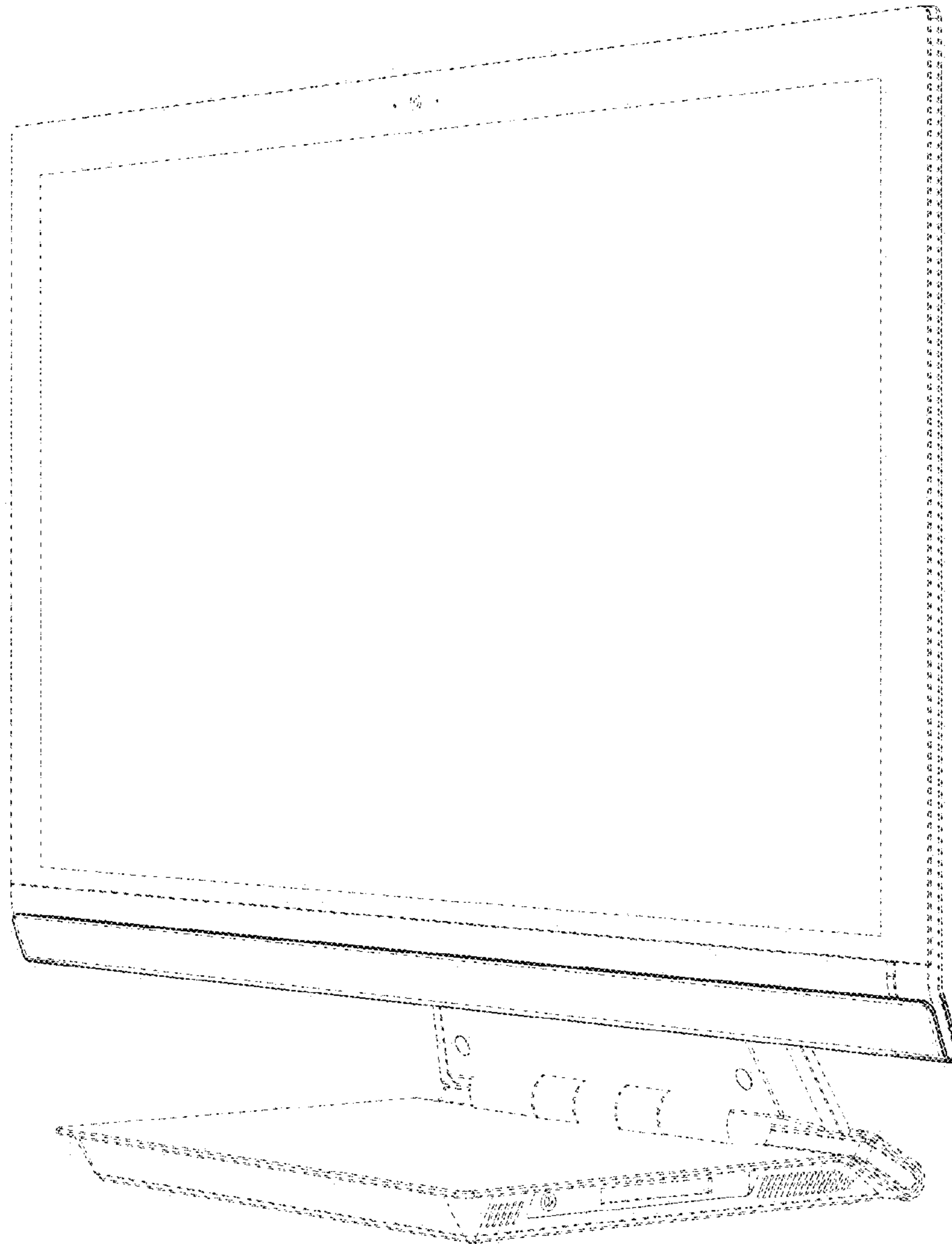


Figure 4

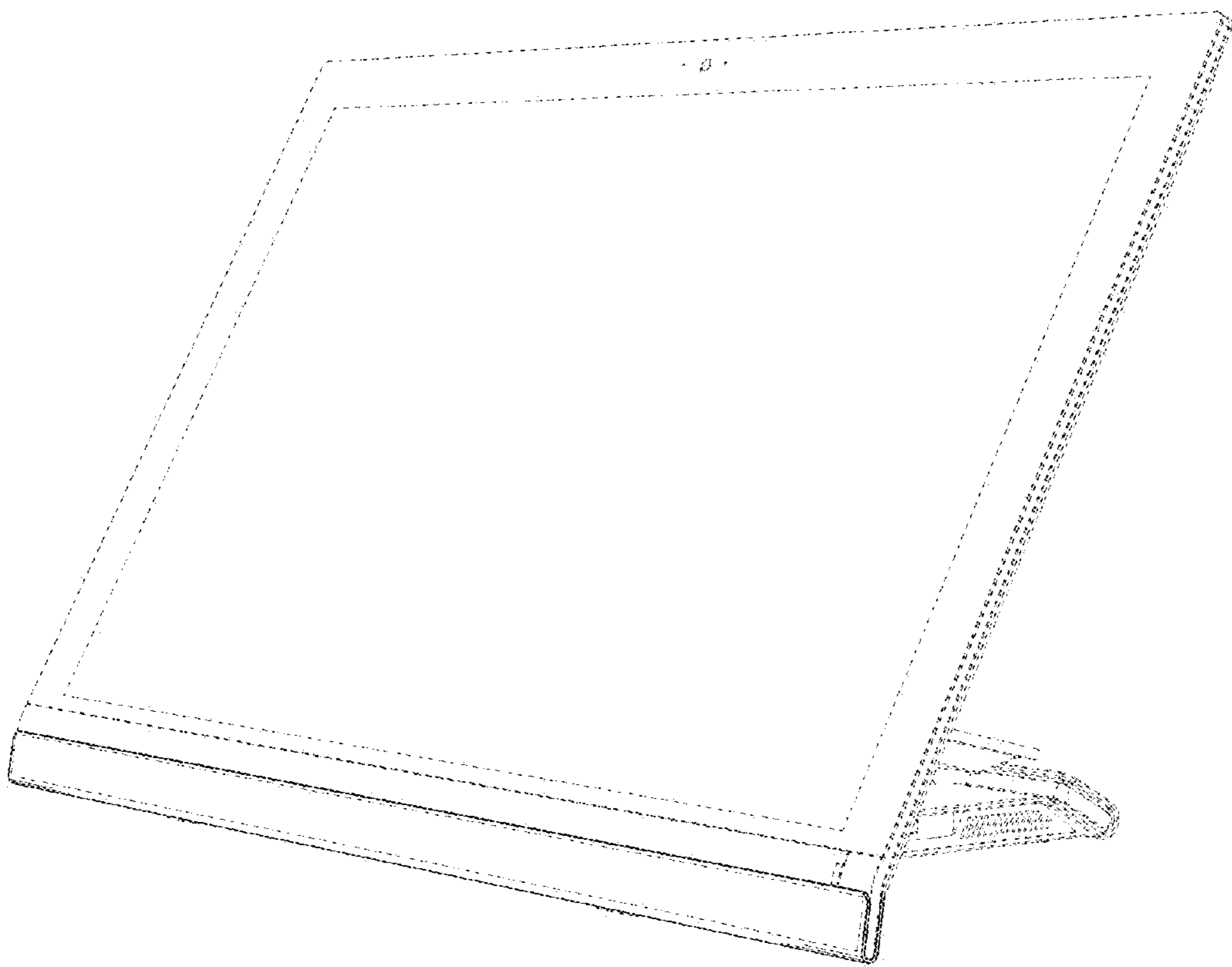


Figure 5

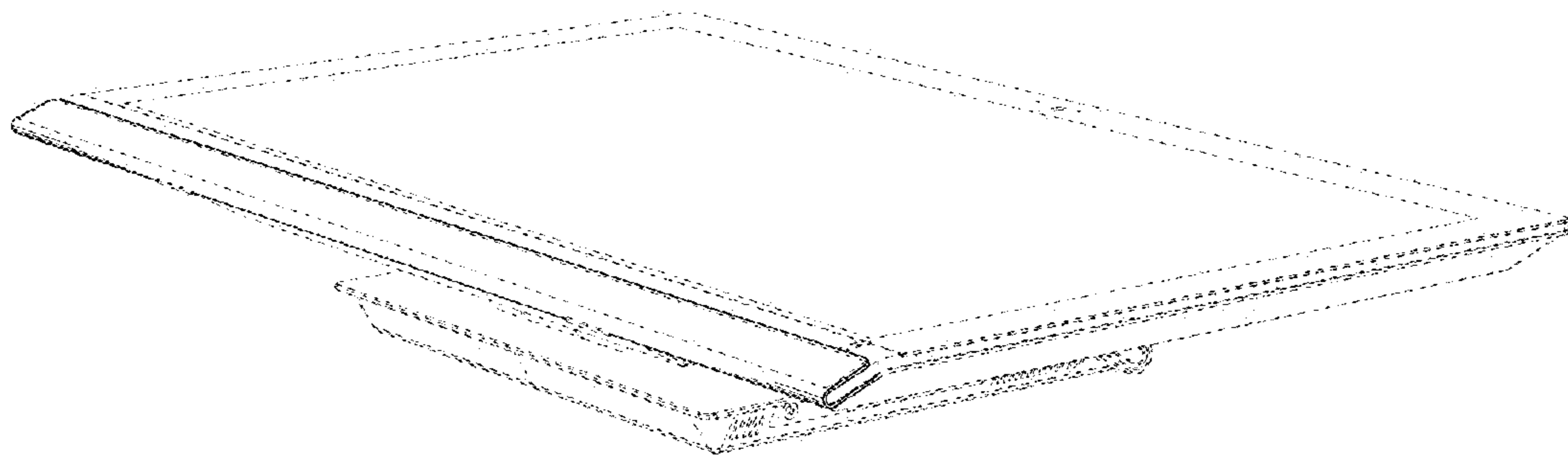


Figure 6