



US00D767566S

(12) **United States Design Patent** (10) **Patent No.:** **US D767,566 S**
Morgenroth et al. (45) **Date of Patent:** **** Sep. 27, 2016**

(54) **WRIST WORN USER INTERFACE**

- (71) Applicant: **Motorola Mobility LLC**, Chicago, IL (US)
- (72) Inventors: **Katherine C Morgenroth**, Los Gatos, CA (US); **Daniel T Berg**, Gilroy, CA (US); **Steve C Emmert**, McHenry, IL (US); **Thomas Gitzinger**, Libertyville, IL (US); **Dickon Isaacs**, Chicago, IL (US); **Hae Rim Jeong**, Chicago, IL (US)
- (73) Assignee: **Motorola Mobility LLC**, Chicago, IL (US)
- (**) Term: **14 Years**
- (21) Appl. No.: **29/518,720**
- (22) Filed: **Feb. 26, 2015**
- (51) **LOC (10) Cl.** **14-02**
- (52) **U.S. Cl.**
USPC **D14/344**
- (58) **Field of Classification Search**
USPC D14/344, 138 R, 144, 358; D2/623, 626, D2/639, 878; D8/88, 356; D10/30-39, 70, D10/98; D11/3, 87, 93-94, 200, 201, 210, D11/216, 218, 221, 230-231; D24/167, D24/169, 186-187
CPC G06F 1/163; G06F 1/1628; G06F 1/1626; G06F 1/1635; G06F 1/08; G06F 1/10; G06F 1/04; G06F 1/14; G06F 1/3203; A41D 1/002; H04M 1/02; H04M 1/03; H04M 1/04; H04M 1/05; H04M 1/667; H04M 1/6058; Y02B 60/1217; H04B 1/385; H04B 1/3888; H04B 1/3833; A44C 5/00

See application file for complete search history.

(56) **References Cited**

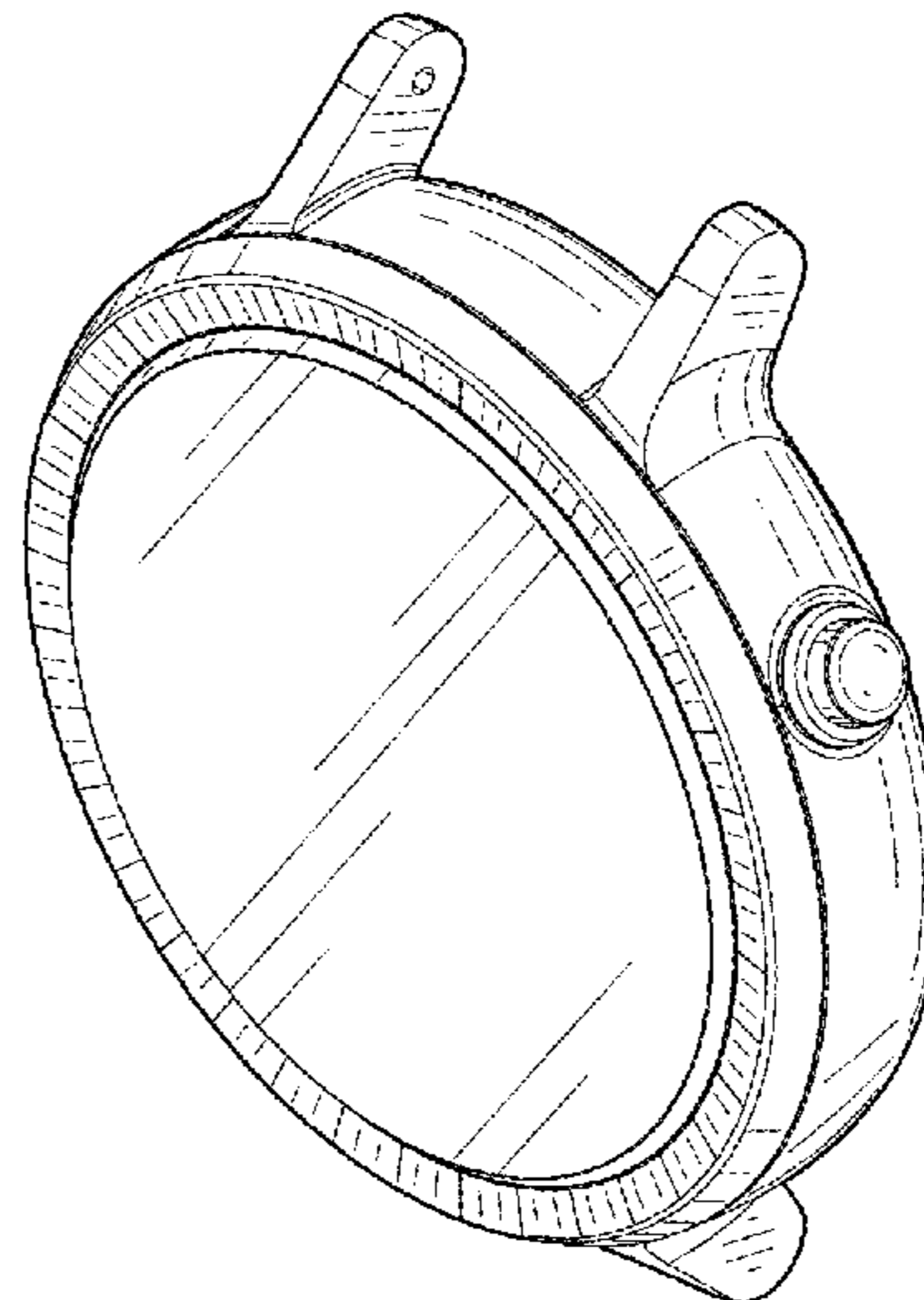
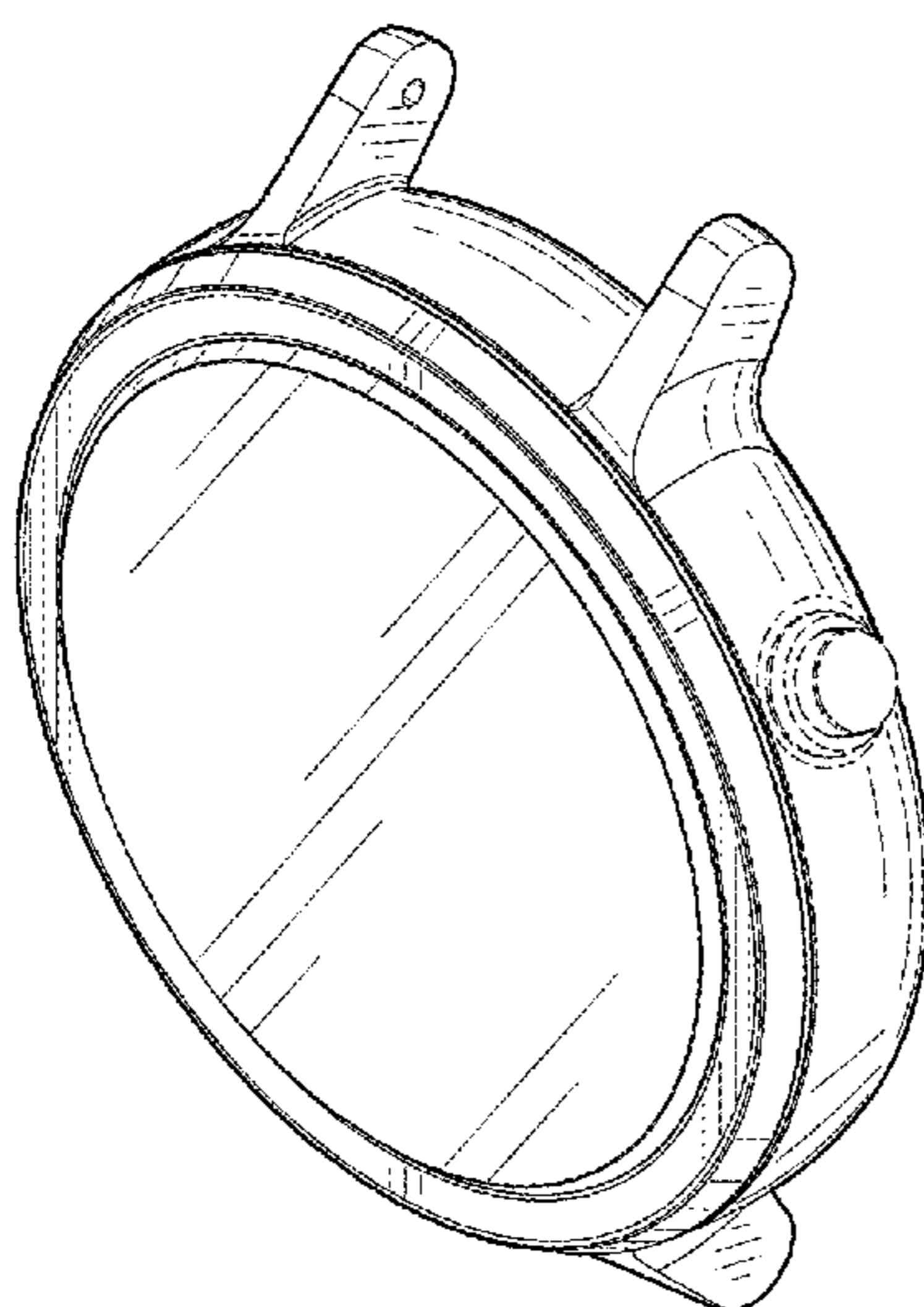
U.S. PATENT DOCUMENTS

D361,277	S	*	8/1995	Riley	D10/30
D373,538	S	*	9/1996	Riley	D10/30
D386,420	S	*	11/1997	Kennedy	D10/30
D386,421	S	*	11/1997	Kennedy	D10/30
D387,289	S	*	12/1997	Houlihan	D10/30
D398,862	S	*	9/1998	Craven	D10/31
D457,074	S	*	5/2002	Berri	D10/30
D467,820	S	*	12/2002	Berliat	D10/39
D547,211	S	*	7/2007	Dias	D10/39
D549,600	S	*	8/2007	Rousseau	D10/38
D554,003	S	*	10/2007	Journe	D10/31
D600,145	S	*	9/2009	Schoepfer	D10/38
D611,842	S	*	3/2010	Parmigiani	D10/38
D624,443	S	*	9/2010	Cerrato	D10/38
D632,979	S	*	2/2011	Chastaingt	D10/38
D650,711	S	*	12/2011	Laucella	D10/39
D651,099	S	*	12/2011	Ruffieux	D10/38
D660,727	S	*	5/2012	Parmigiani	D10/38
D678,081	S	*	3/2013	Cabiddu	D10/38
D694,655	S	*	12/2013	Rufenacht	D10/38
D718,154	S	*	11/2014	Gueit	D10/38
D726,677	S	*	4/2015	Choi	D10/38
D726,679	S	*	4/2015	Kim	D10/38
D727,751	S	*	4/2015	Lee	D10/35
D733,580	S	*	7/2015	Cerrato	D10/38
D733,582	S	*	7/2015	Gueit	D10/38
D742,260	S	*	11/2015	Park	D10/30
D743,282	S	*	11/2015	Park	D10/30
D746,816	S	*	1/2016	Lim	D10/38
D749,431	S	*	2/2016	Babcock	D10/30
D750,505	S	*	3/2016	Cerrato	D10/30

OTHER PUBLICATIONS

Motorola Selects 10 Finalists for its Moto 360 Smartwatch Design "Face Off", posted Jun. 19, 2014, [retrieved Jul. 25, 2016]. Retrieved from Internet, <URL: <http://www.dailytech.com/Motorola+Selects+10+Finalists+for+its+Moto+360+Smartwatch+Design+Face+Off/article36082.htm> >.*

Freestyle Mens FS84913 The Response Round Touch Screen Case Watch, produced 2011, [retrieved Jul. 25, 2016]. Retrieved from Internet, <URL: <http://the247market.com/watches/freestyle/freestyle-mens-fs84913-the-response-round-touch-screen-case-watch.html#.V5ZHKv72bbo> >.*



Kenneth Cole New York Round Case Watch, 42mm, posted 4 years ago, [retrieved Jul. 25, 2016]. Retrieved from Internet, <URL: <http://shop.nordstrom.com/s/kenneth-cole-new-york-round-case-watch-42mm/3054522> >.*

Dickon Isaacs, et al., “User Interface”, U.S. Appl. No. 29/478,182, filed Jan. 2, 2014.

* cited by examiner

Primary Examiner — Barbara Fox

Assistant Examiner — Kristin E Reed

(57)

CLAIM

The ornamental design for a wrist worn user interface, as shown and described.

DESCRIPTION

FIG. 1 is a front perspective view of a first embodiment of an ornamental design for a user interface;

FIG. 2 is a rear perspective view of the first embodiment thereof;

FIG. 3 is a front view of the first embodiment thereof;

FIG. 4 is a rear view of the first embodiment thereof;

FIG. 5 is a first side view of the first embodiment thereof;

FIG. 6 is a second side view of the first embodiment thereof;

FIG. 7 is a top view of the first embodiment thereof; and

FIG. 8 is a bottom view of the first embodiment thereof.

FIG. 9 is a front perspective view of a second embodiment of an ornamental design for a user interface;

FIG. 10 is a rear perspective view of the second embodiment thereof;

FIG. 11 is a front view of the second embodiment thereof;

FIG. 12 is a rear view of the second embodiment thereof;

FIG. 13 is a first side view of the second embodiment thereof;

FIG. 14 is a second side view of the second embodiment thereof;

FIG. 15 is a top view of the second embodiment thereof; and

FIG. 16 is a bottom view of the second embodiment thereof.

FIG. 17 is a front perspective view of a third embodiment of an ornamental design for a user interface;

FIG. 18 is a rear perspective view of the third embodiment thereof; FIG. 19 is a front view of the third embodiment thereof;

FIG. 20 is a rear view of the third embodiment thereof;

FIG. 21 is a first side view of the third embodiment thereof;

FIG. 22 is a second side view of the third embodiment thereof;

FIG. 23 is a top view of the third embodiment thereof; and

FIG. 24 is a bottom view of the third embodiment thereof.

FIG. 25 is a front perspective view of a fourth embodiment of an ornamental design for a user interface;

FIG. 26 is a rear perspective view of the fourth embodiment thereof;

FIG. 27 is a front view of the fourth embodiment thereof;

FIG. 28 is a rear view of the fourth embodiment thereof;

FIG. 29 is a first side view of the fourth embodiment thereof; FIG. 30 is a second side view of the fourth embodiment thereof;

FIG. 31 is a top view of the fourth embodiment thereof; and FIG. 32 is a bottom view of the fourth embodiment thereof.

FIG. 33 is a front perspective view of a fifth embodiment of an ornamental design for a user interface;

FIG. 34 is a rear perspective view of the fifth embodiment thereof;

FIG. 35 is a front view of the fifth embodiment thereof;

FIG. 36 is a rear view of the fifth embodiment thereof;

FIG. 37 is a first side view of the fifth embodiment thereof;

FIG. 38 is a second side view of the fifth embodiment thereof;

FIG. 39 is a top view of the fifth embodiment thereof; and

FIG. 40 is a bottom view of the fifth embodiment thereof.

FIG. 41 is a front perspective view of a sixth embodiment of an ornamental design for a user interface;

FIG. 42 is a rear perspective view of the sixth embodiment thereof;

FIG. 43 is a front view of the sixth embodiment thereof;

FIG. 44 is a rear view of the sixth embodiment thereof;

FIG. 45 is a first side view of the sixth embodiment thereof;

FIG. 46 is a second side view of the sixth embodiment thereof;

FIG. 47 is a top view of the sixth embodiment thereof; and

FIG. 48 is a bottom view of the sixth embodiment thereof.

FIG. 49 is a front perspective view of a seventh embodiment of an ornamental design for a user interface;

FIG. 50 is a rear perspective view of the seventh embodiment thereof;

FIG. 51 is a front view of the seventh embodiment thereof;

FIG. 52 is a rear view of the seventh embodiment thereof;

FIG. 53 is a first side view of the seventh embodiment thereof;

FIG. 54 is a second side view of the seventh embodiment thereof;

FIG. 55 is a top view of the seventh embodiment thereof; and

FIG. 56 is a bottom view of the seventh embodiment thereof.

FIG. 57 is a front perspective view of an eighth embodiment of an ornamental design for a user interface;

FIG. 58 is a rear perspective view of the eighth embodiment thereof;

FIG. 59 is a front view of the eighth embodiment thereof;

FIG. 60 is a rear view of the eighth embodiment thereof;

FIG. 61 is a first side view of the eighth embodiment thereof;

FIG. 62 is a second side view of the eighth embodiment thereof;

FIG. 63 is a top view of the eighth embodiment thereof; and

FIG. 64 is a bottom view of the eighth embodiment thereof.

The broken lines shown in the drawings illustrate portions of the wrist worn user interface that form no part of the claimed design.

1 Claim, 32 Drawing Sheets

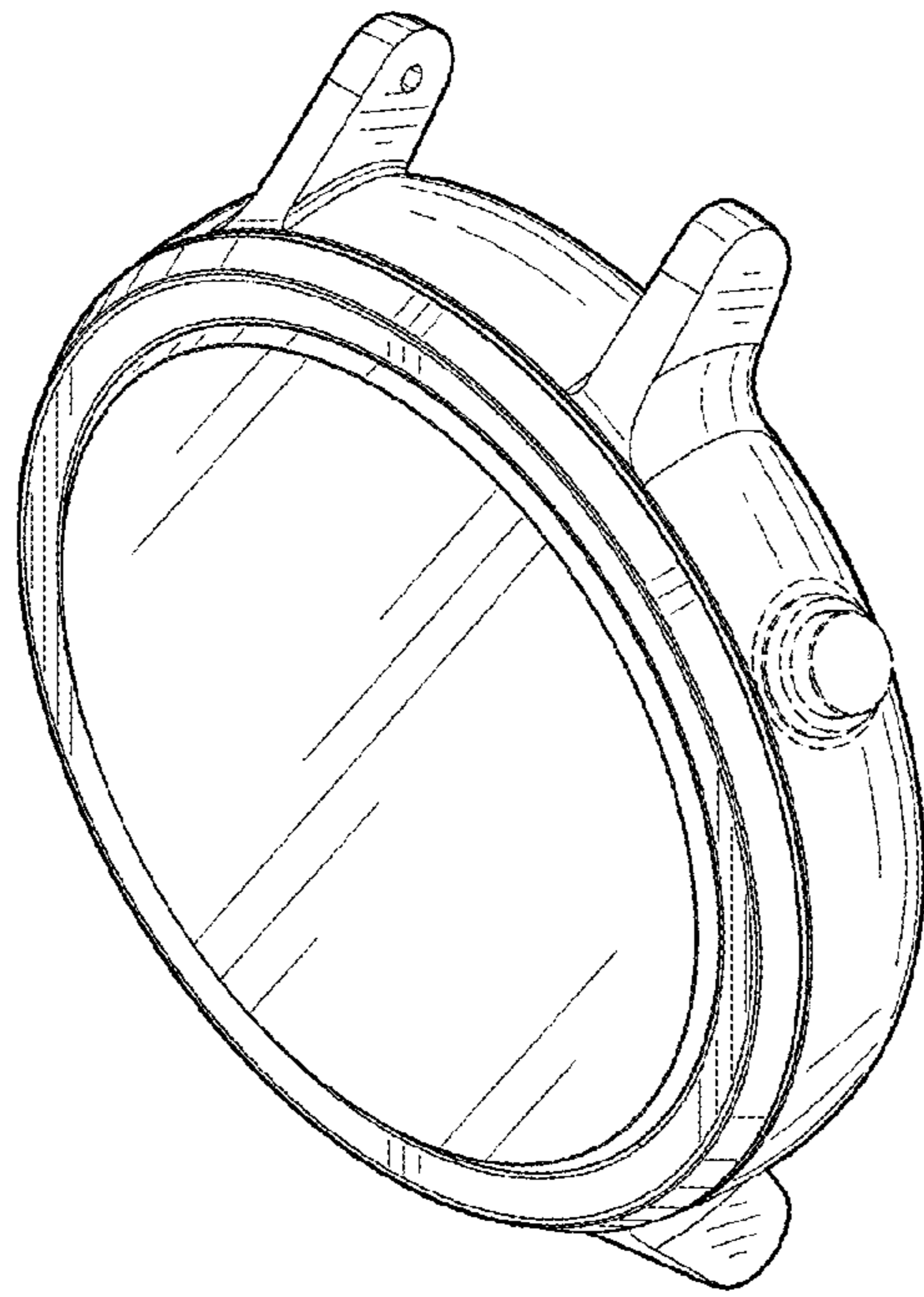


FIG. 1

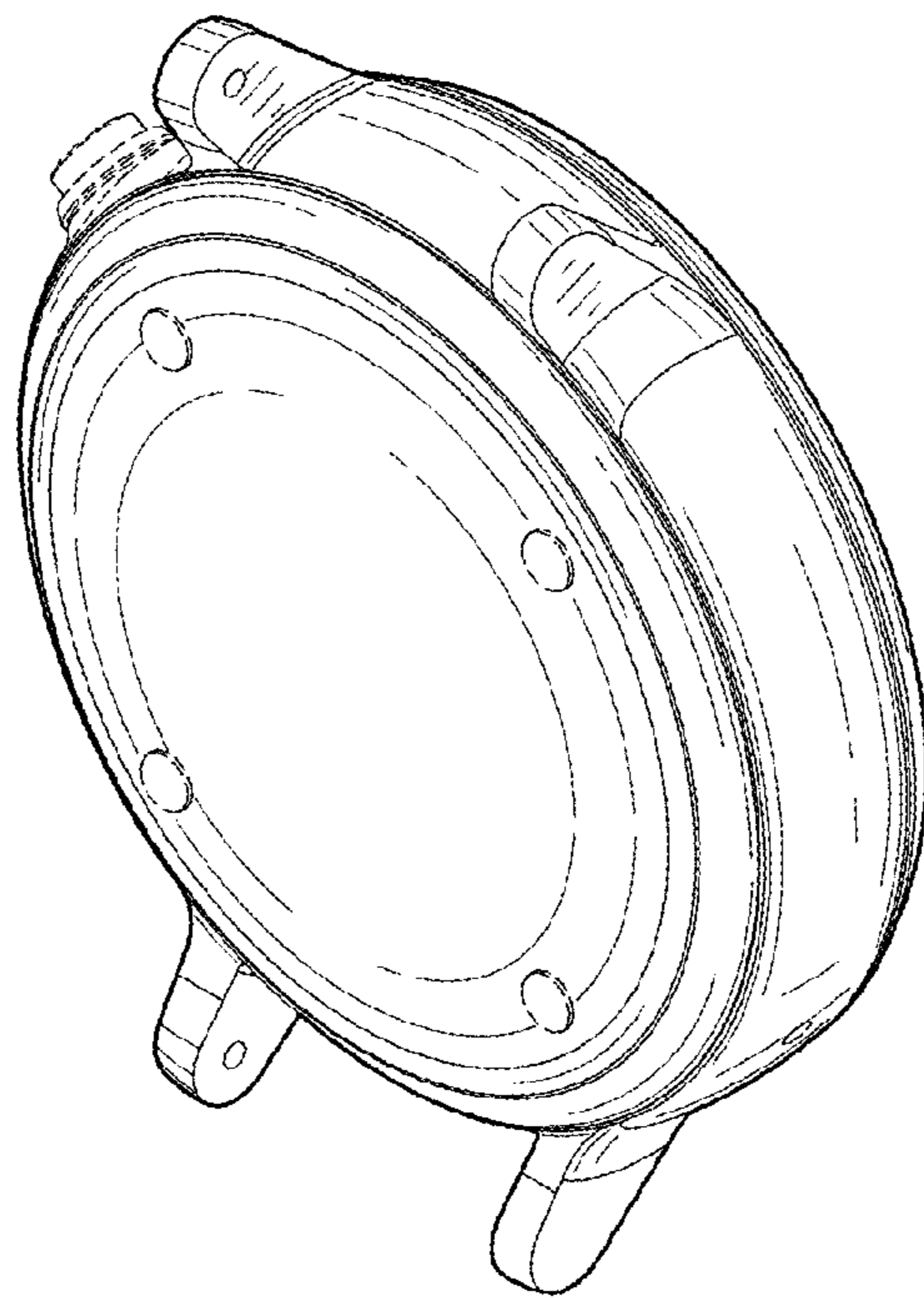


FIG. 2

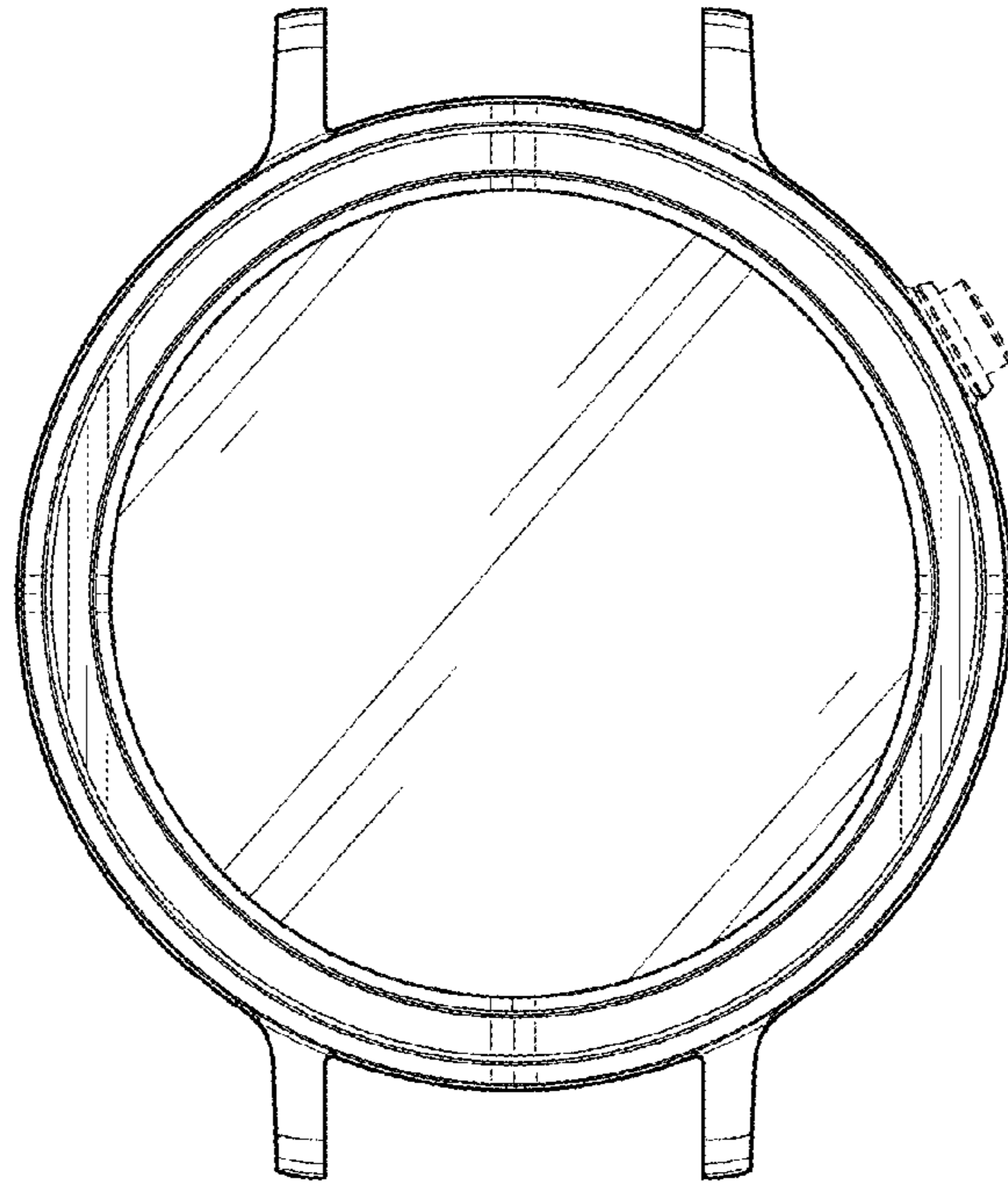


FIG. 3

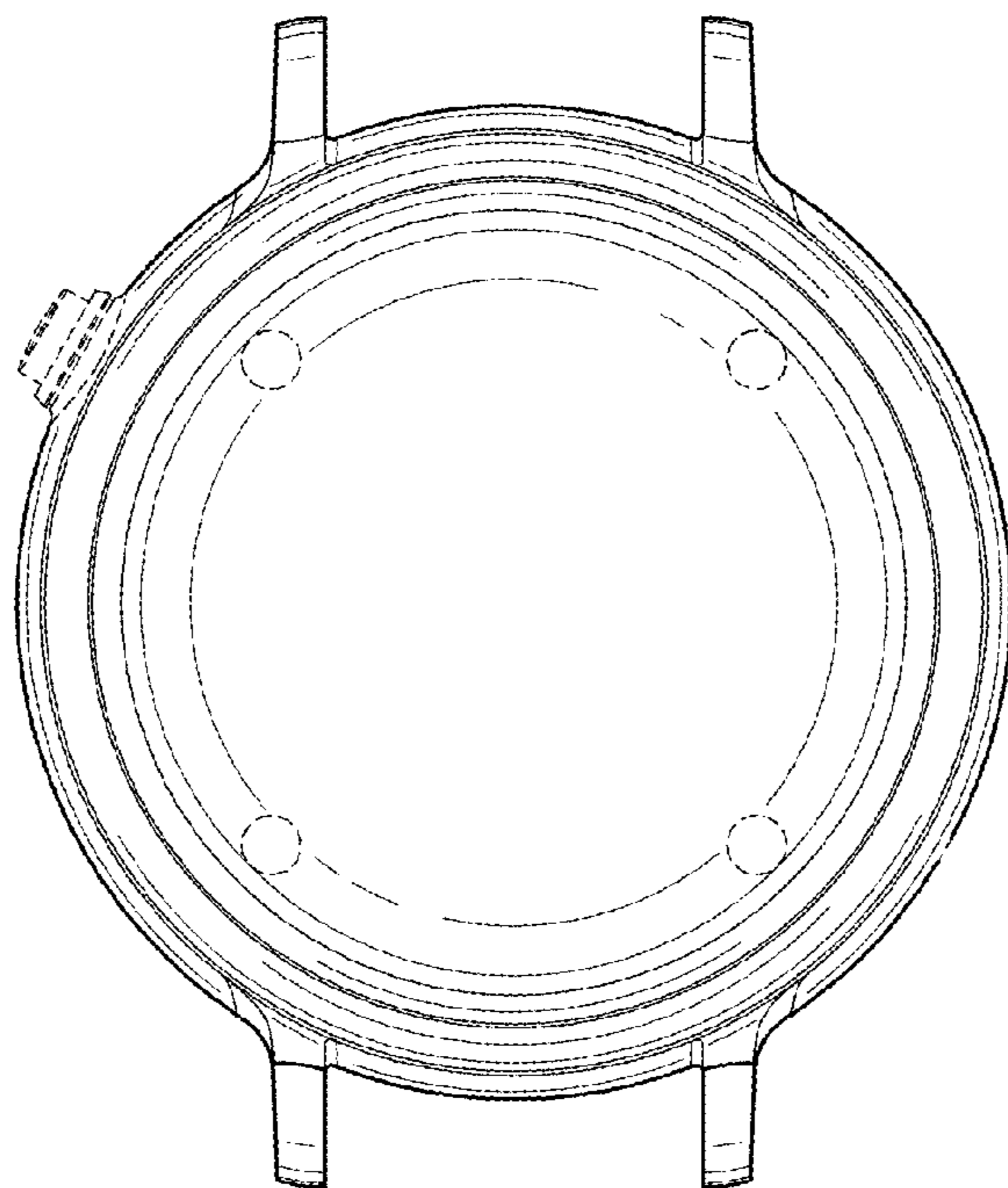


FIG. 4

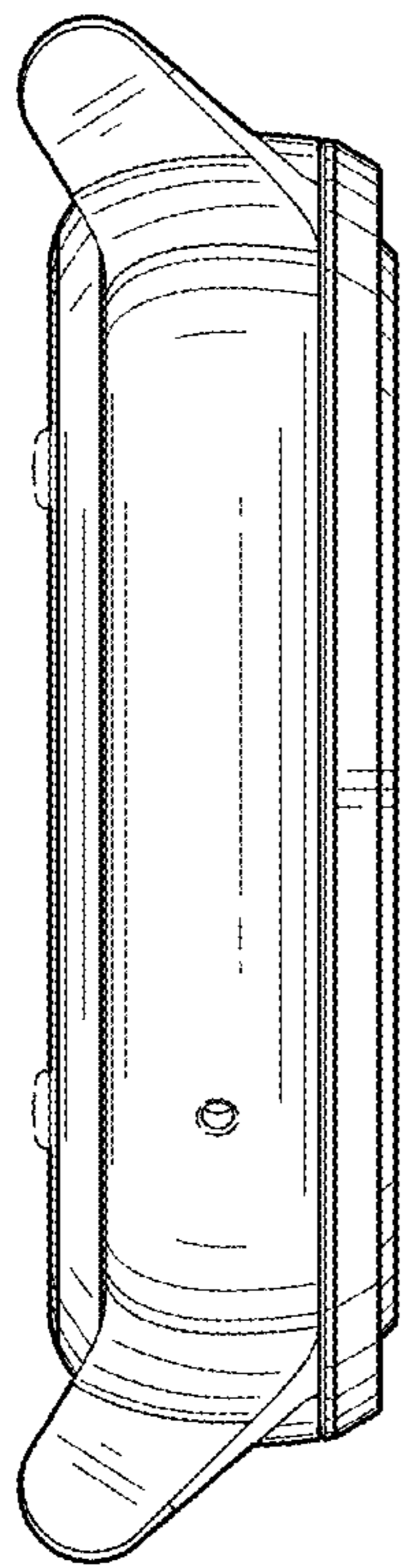


FIG. 5

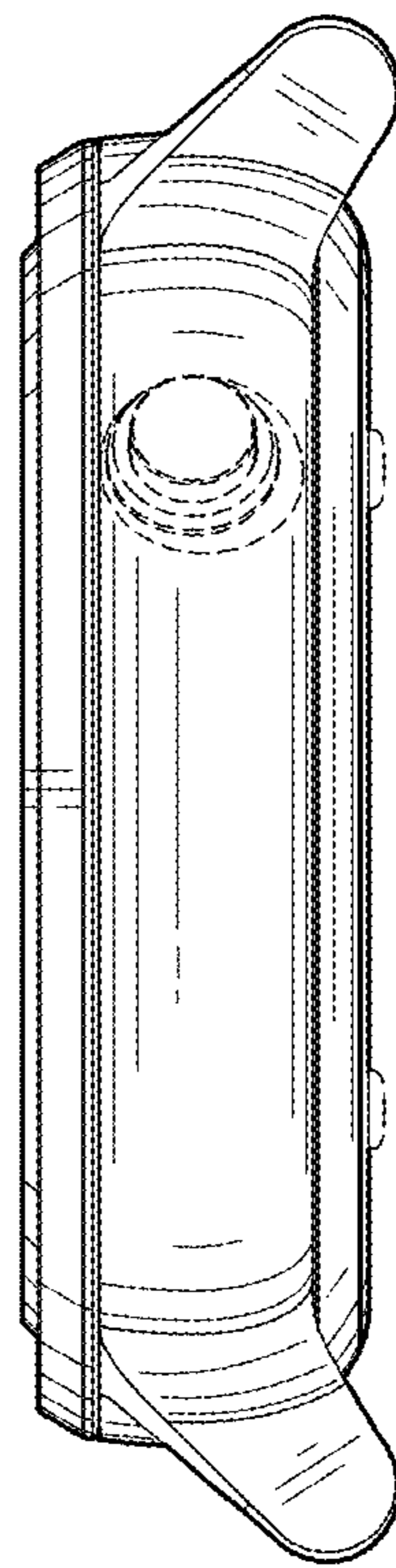


FIG. 6

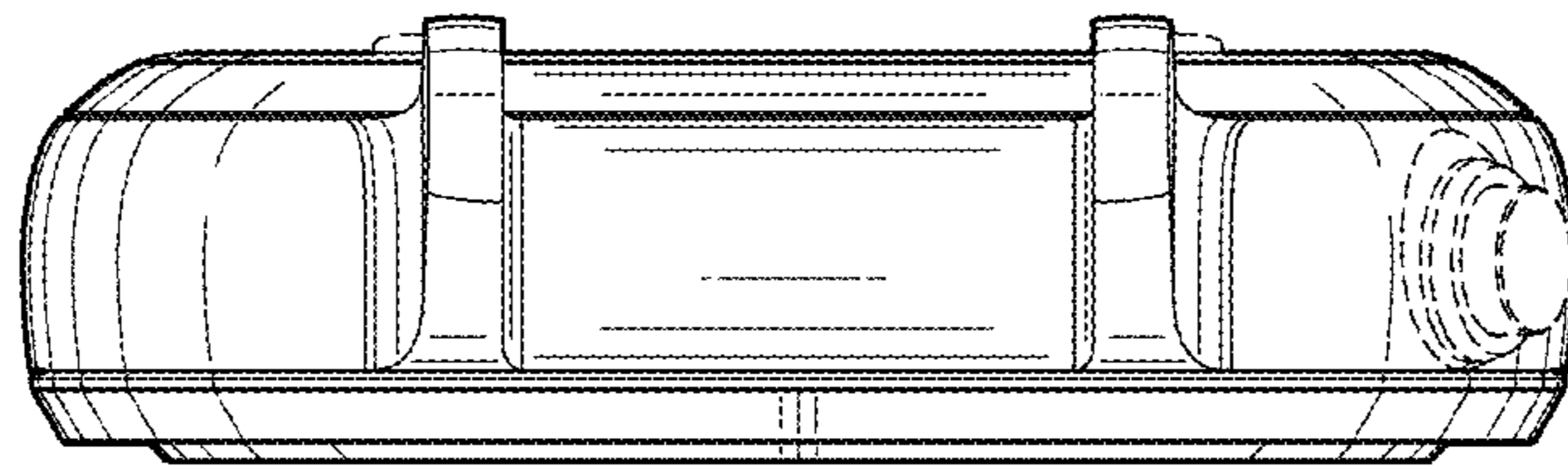


FIG. 7

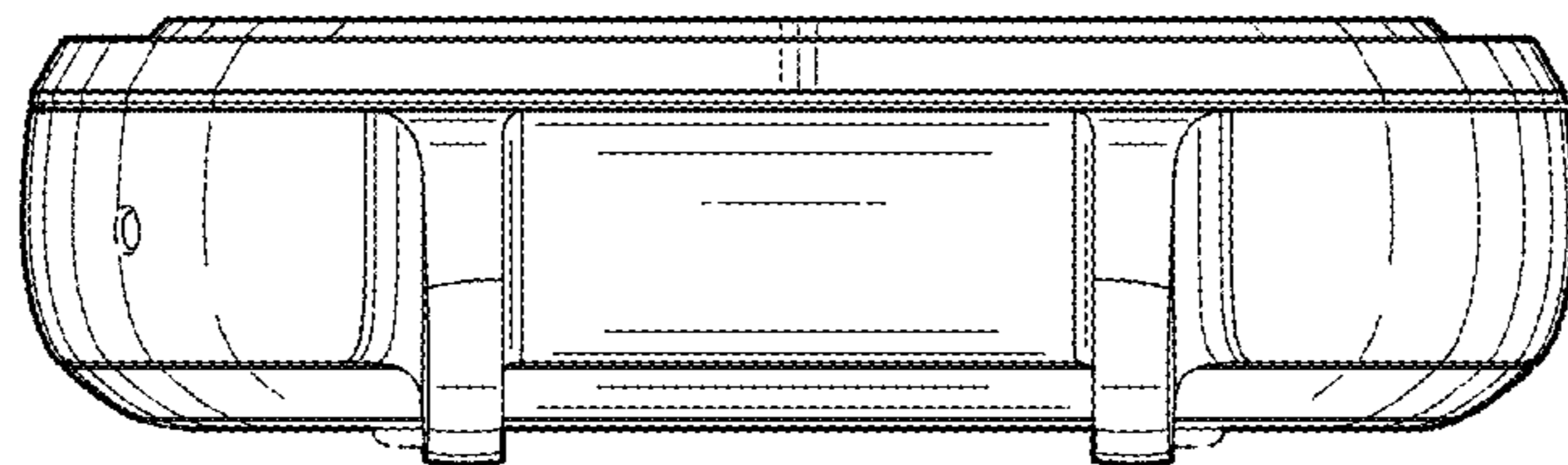


FIG. 8

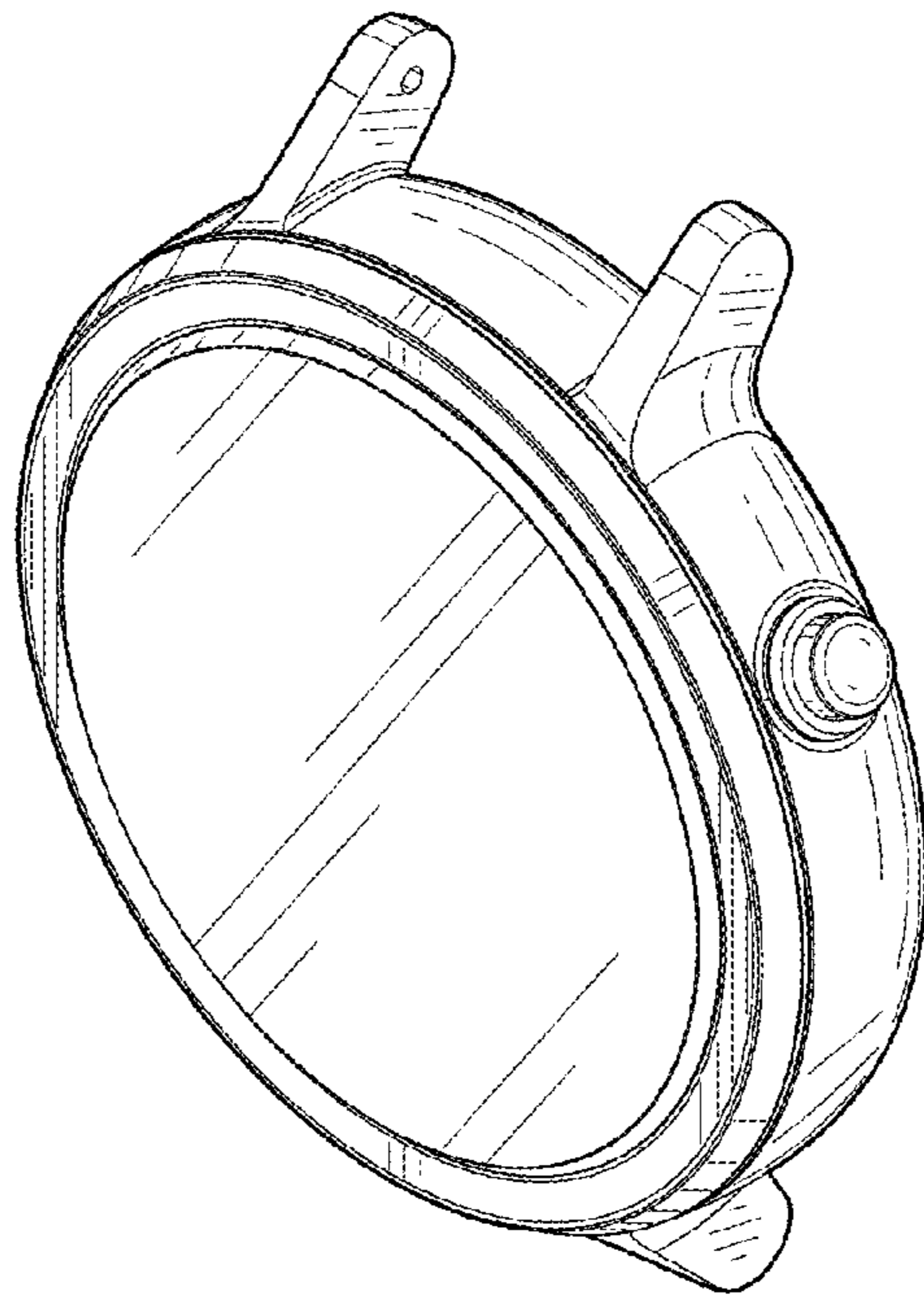


FIG. 9

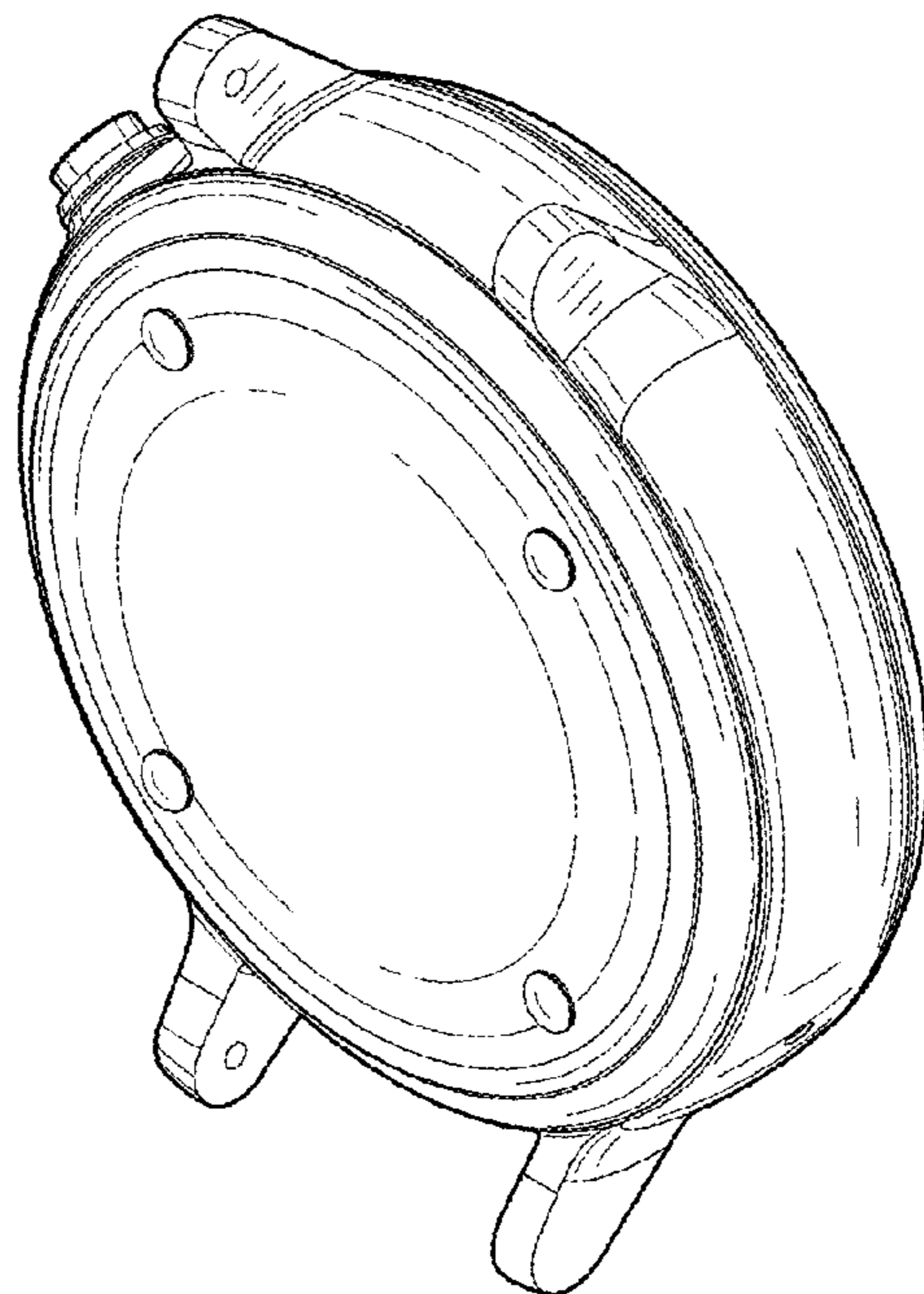


FIG. 10

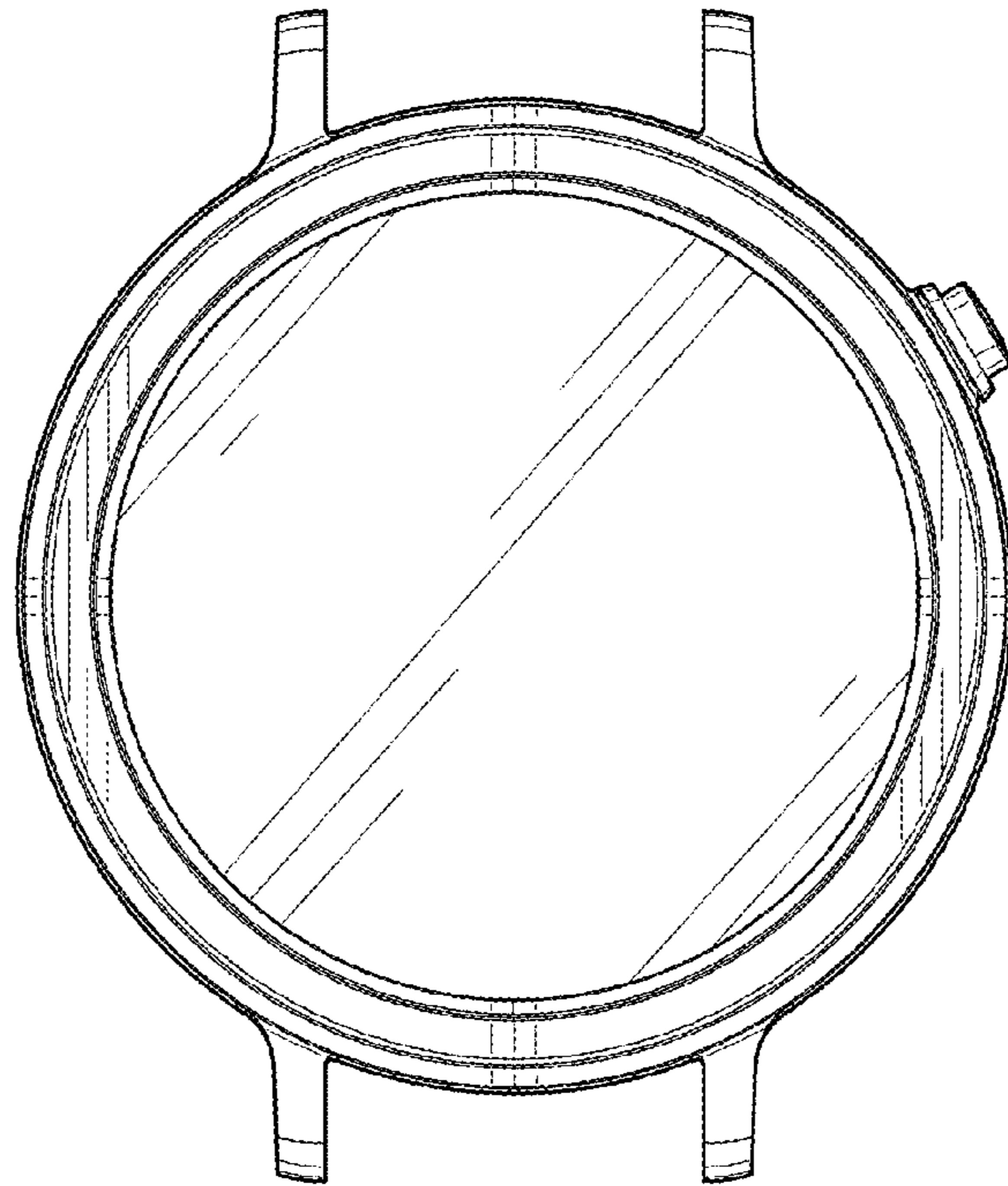


FIG. 11

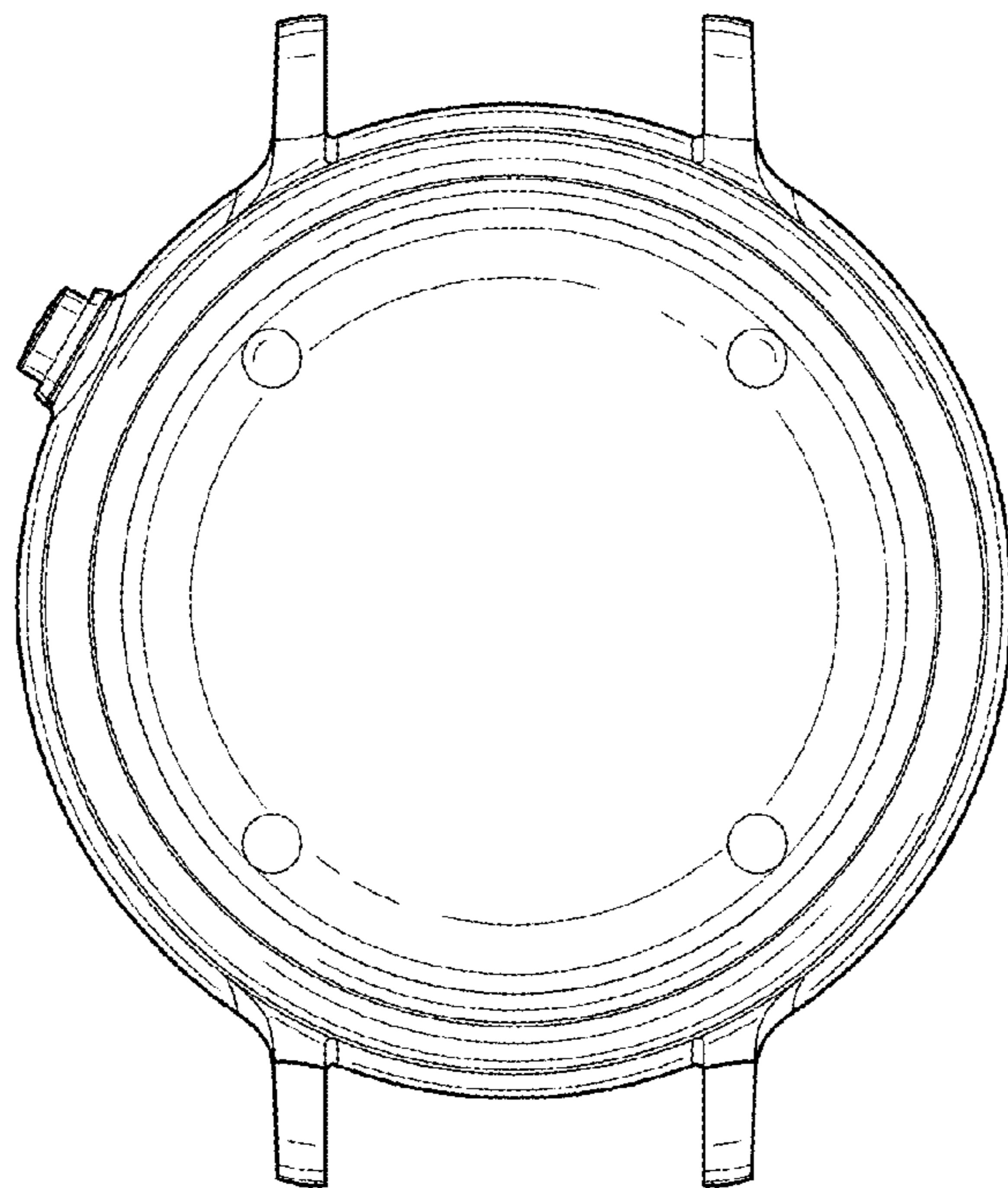


FIG. 12

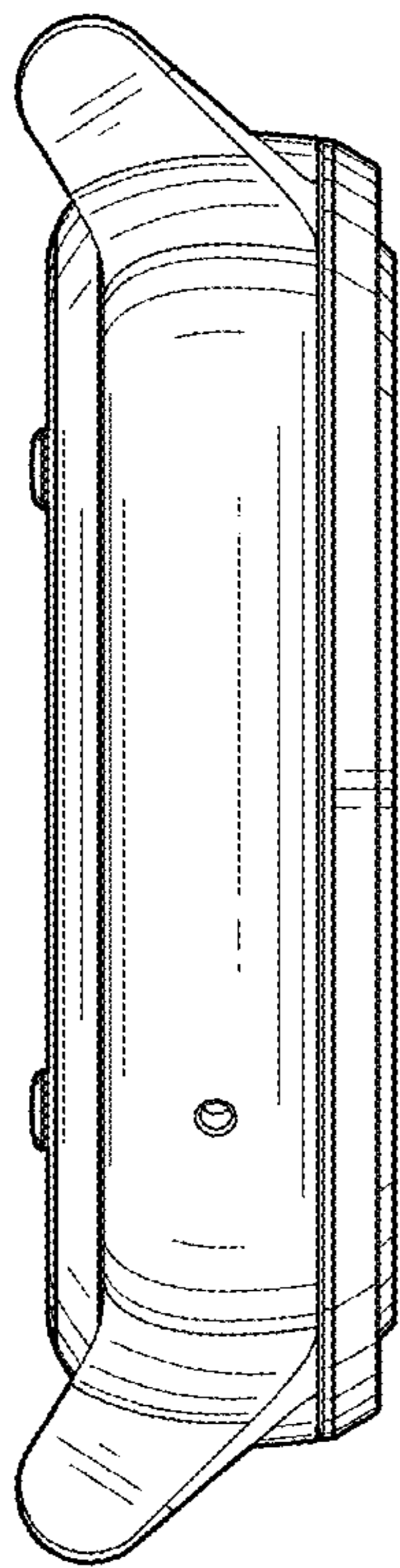


FIG. 13

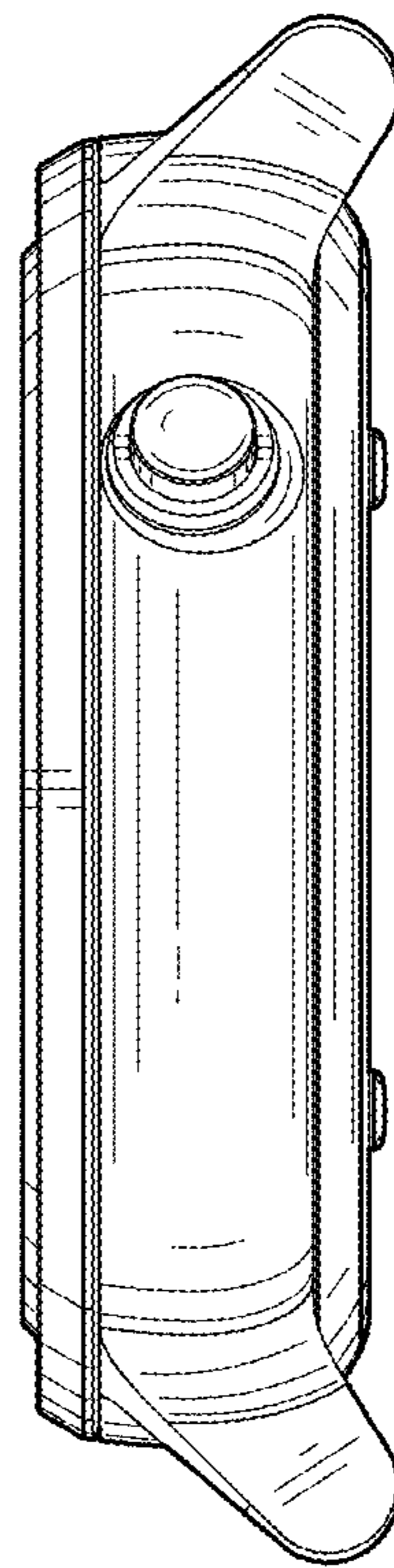


FIG. 14

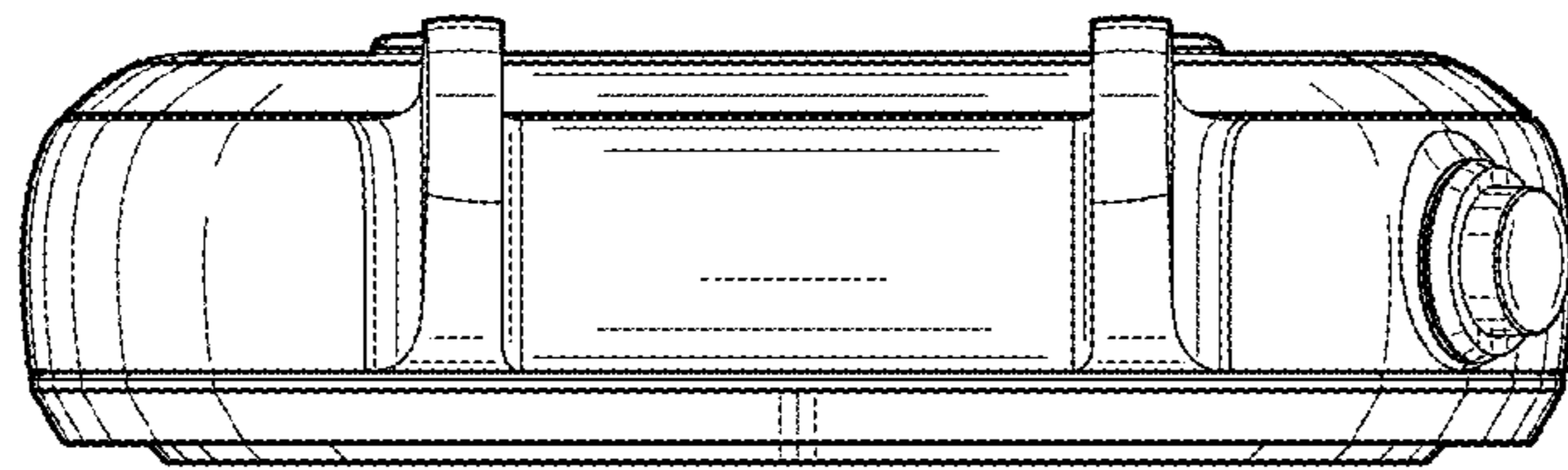


FIG. 15

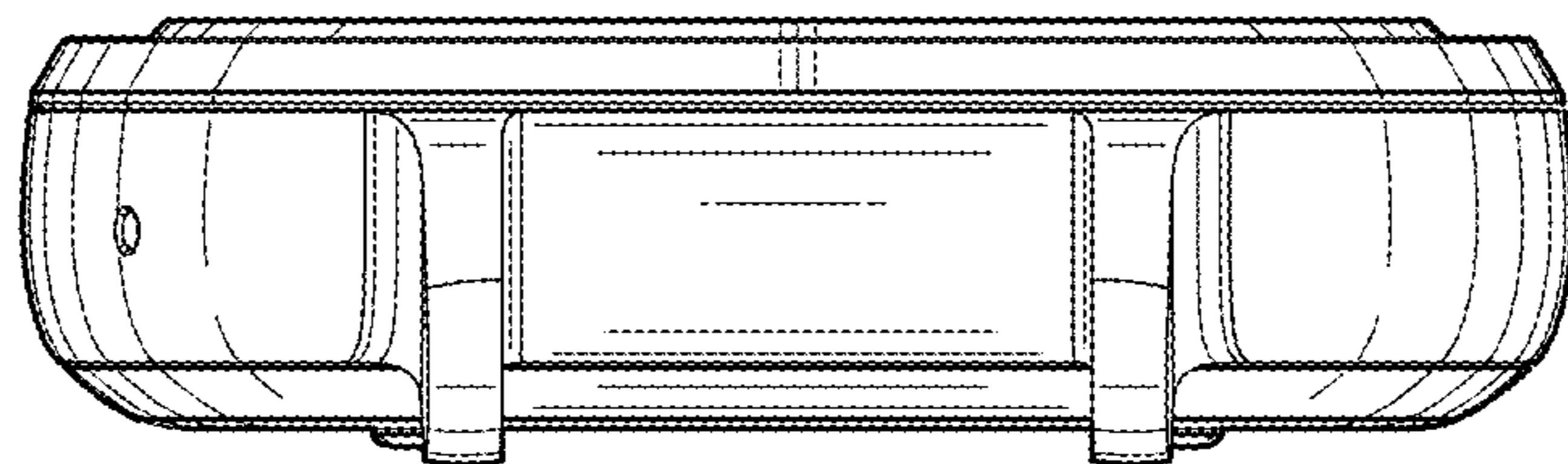


FIG. 16

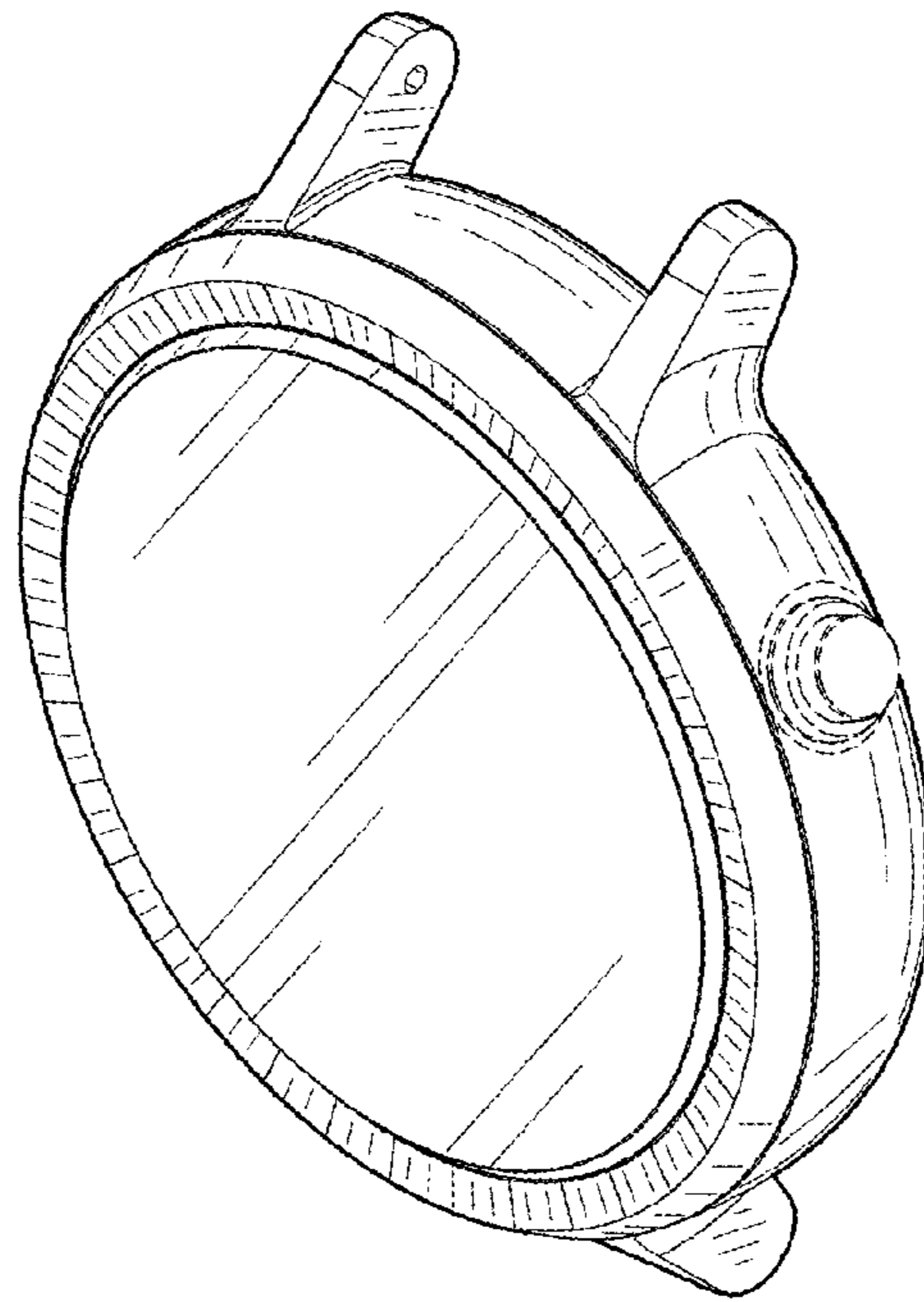


FIG. 17

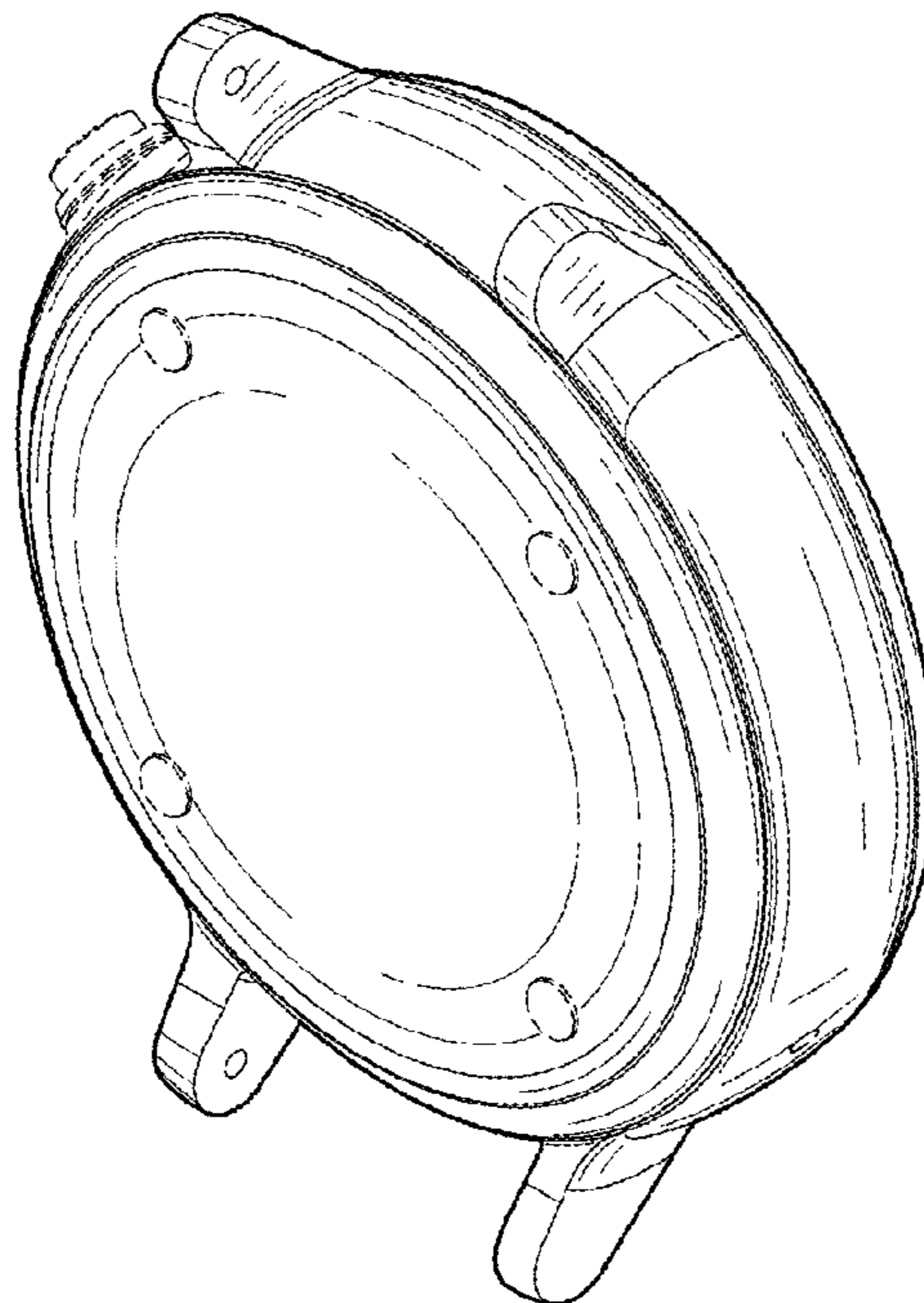


FIG. 18

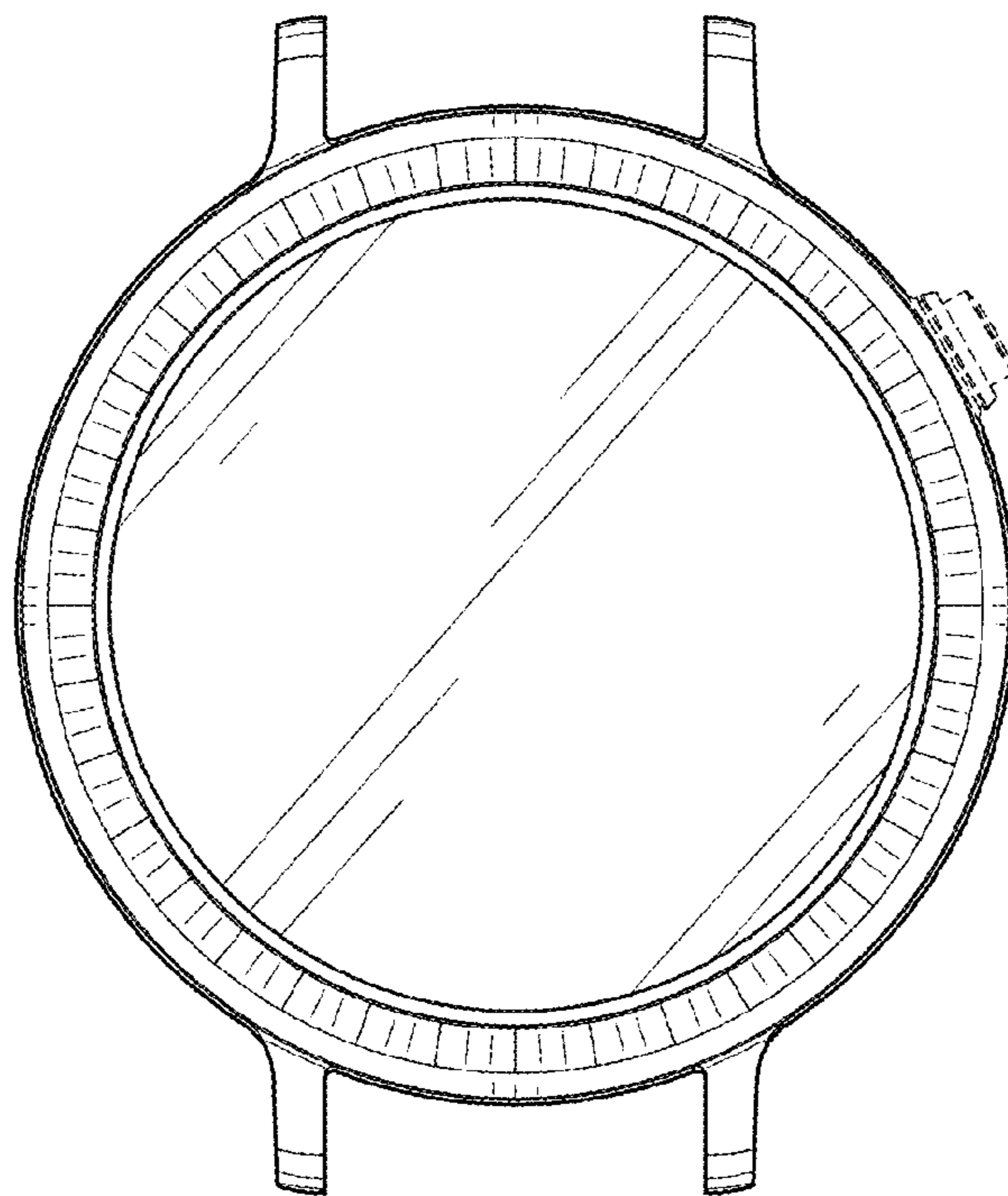


FIG. 19

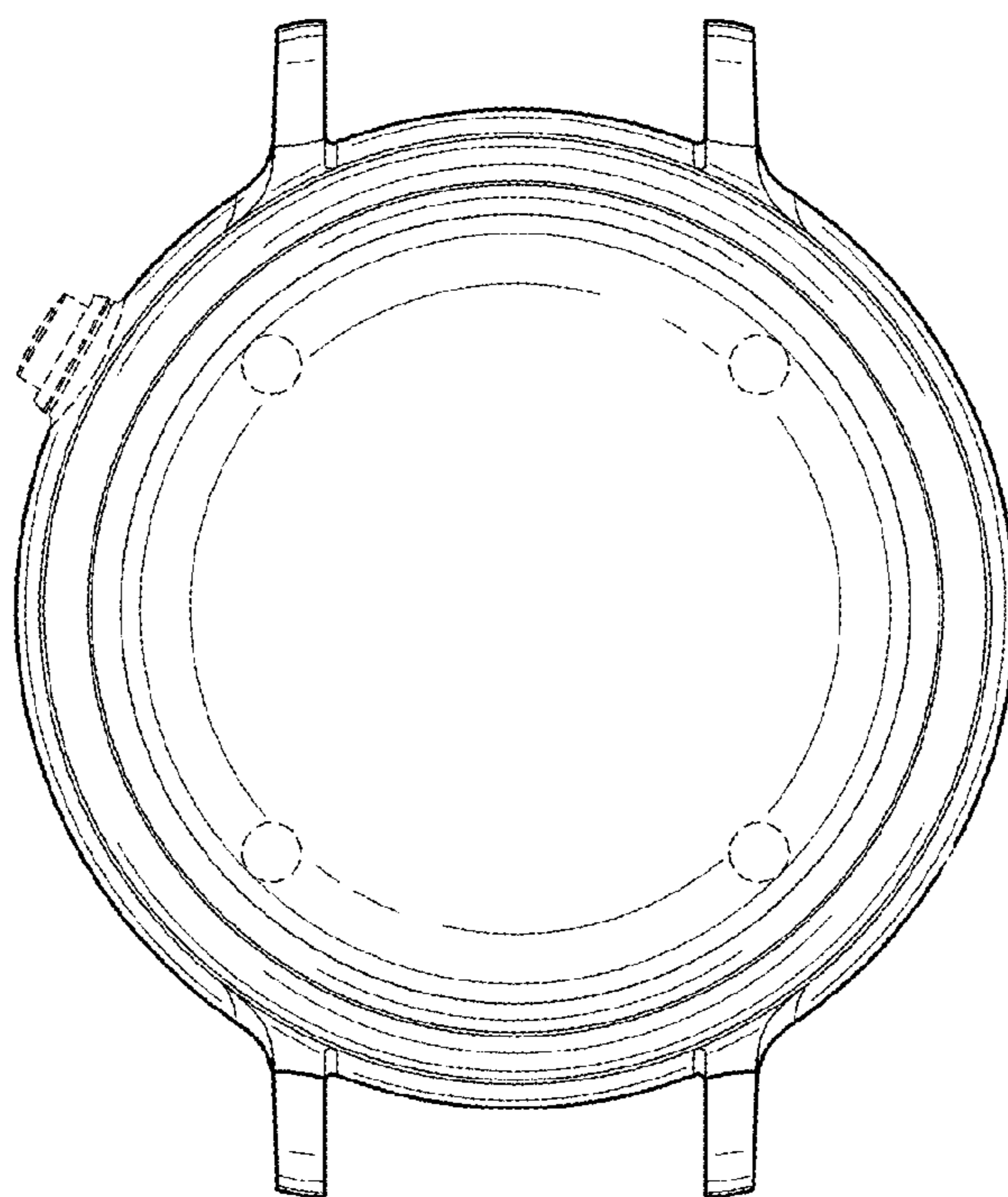


FIG. 20

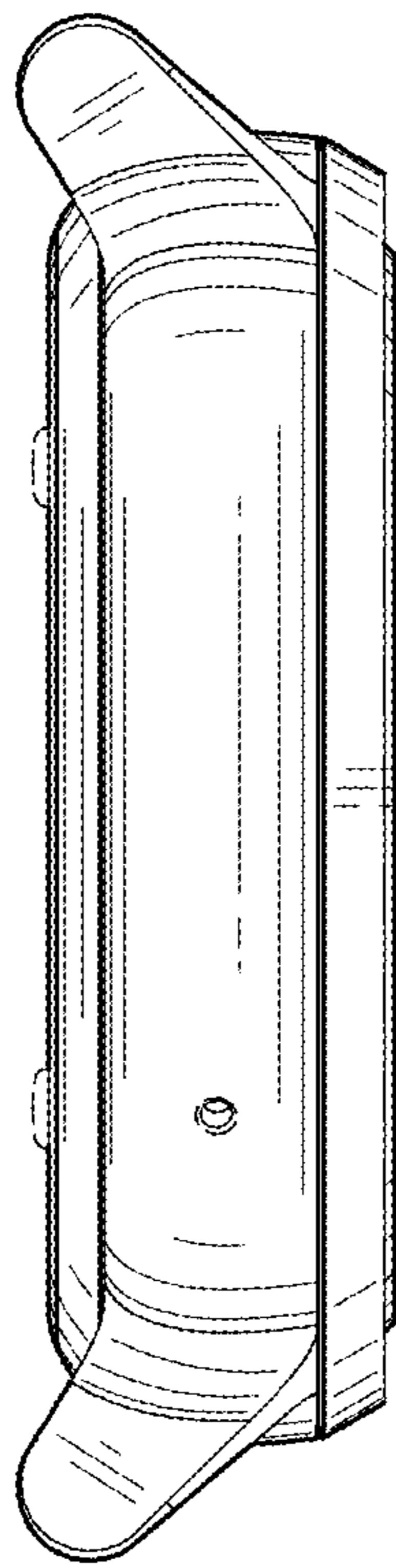


FIG. 21

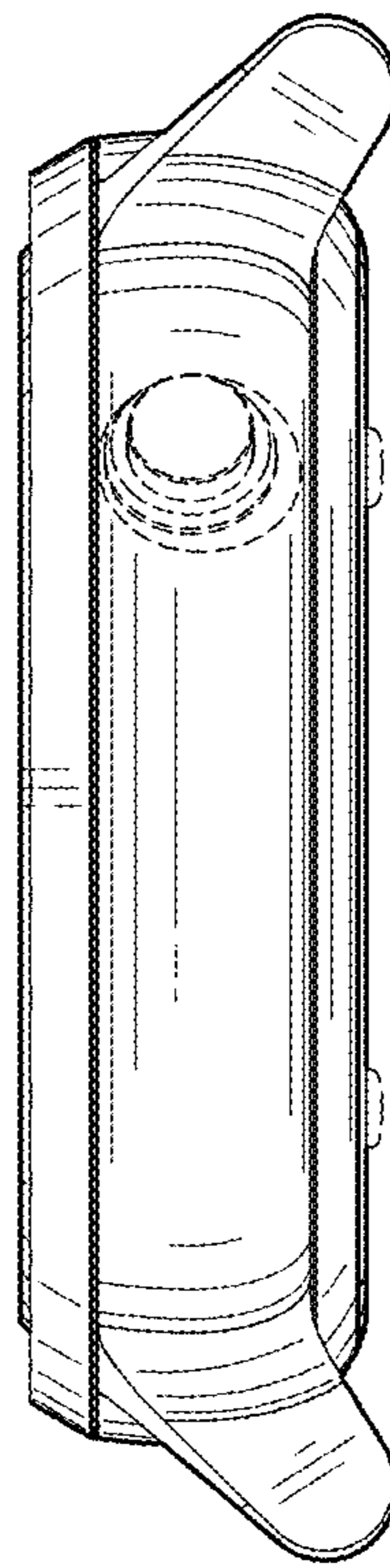


FIG. 22

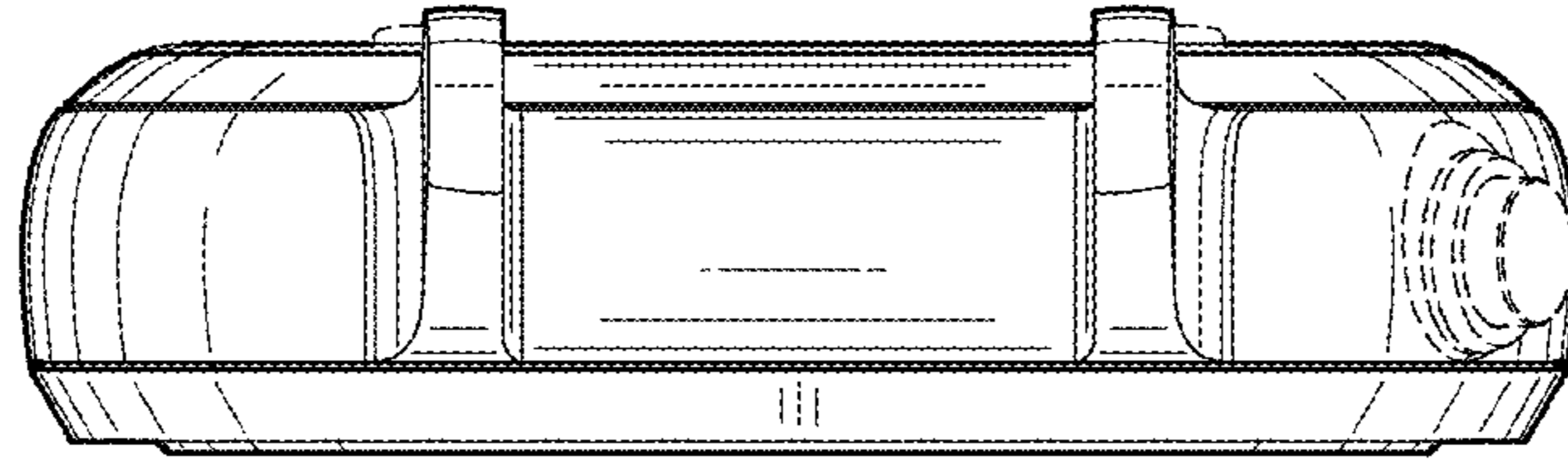


FIG. 23

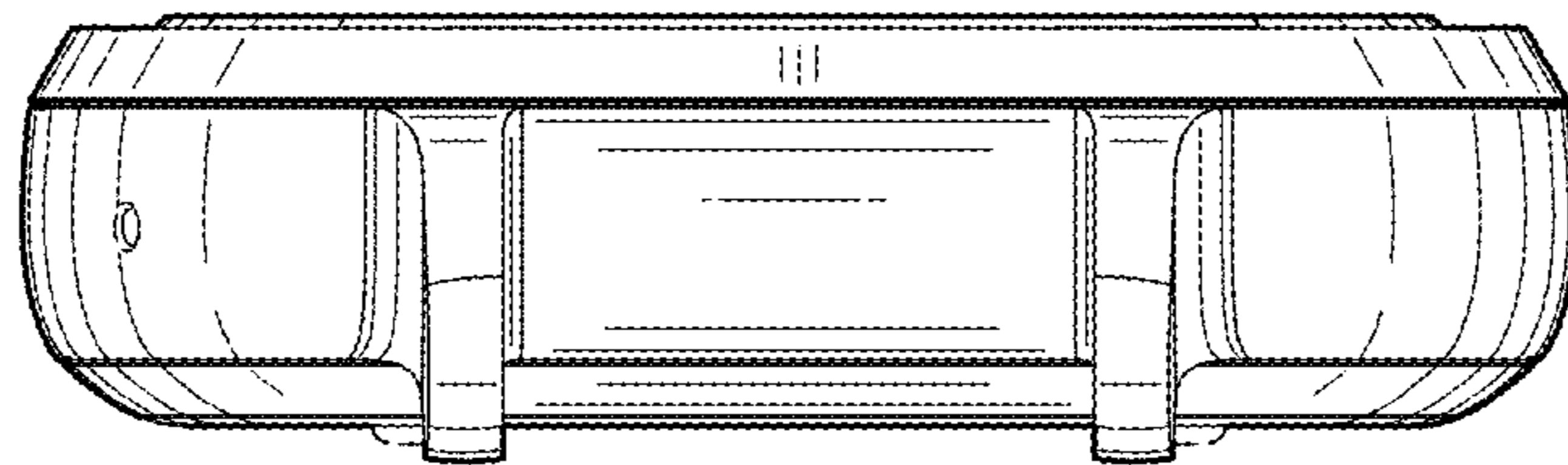


FIG. 24

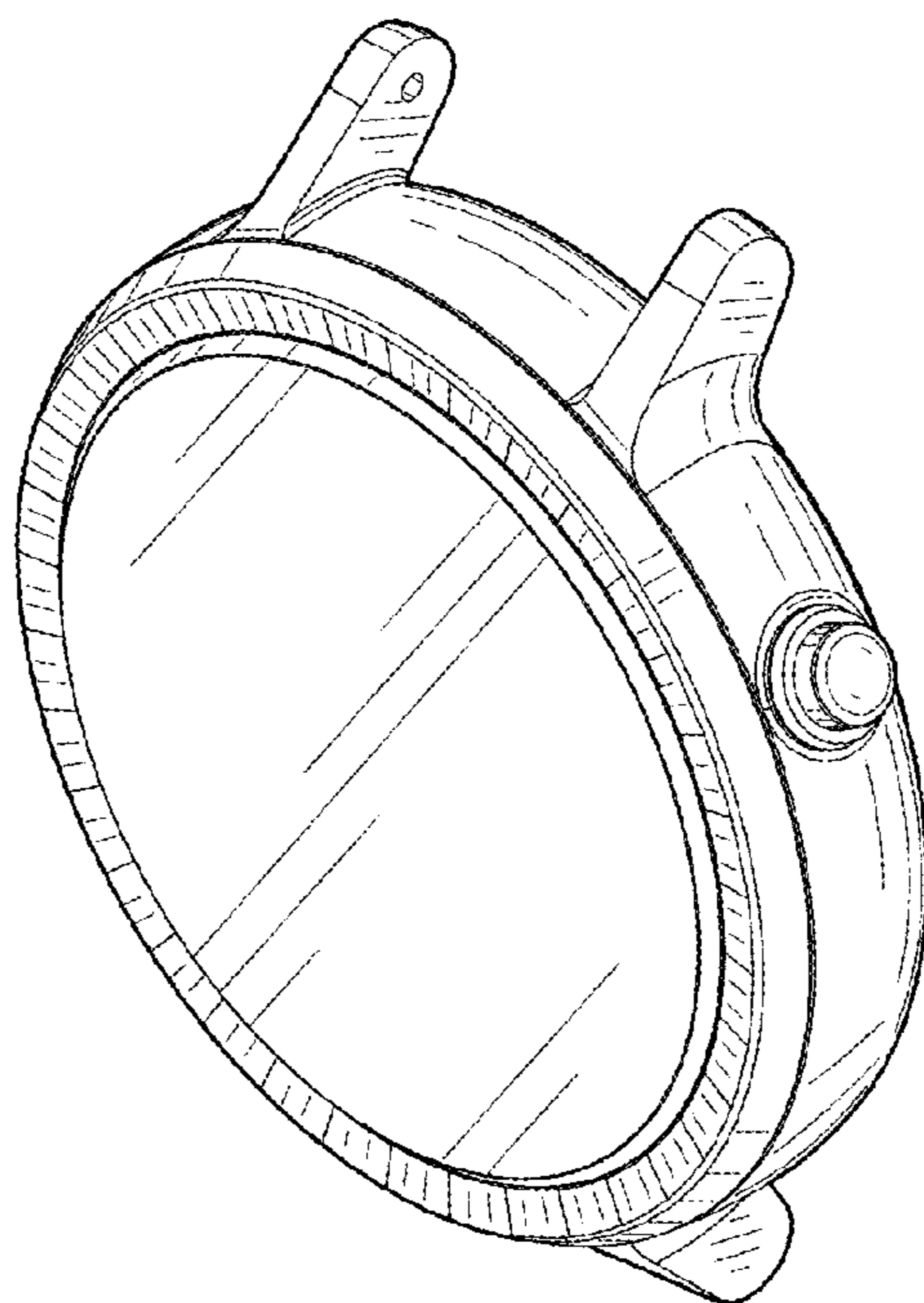


FIG. 25

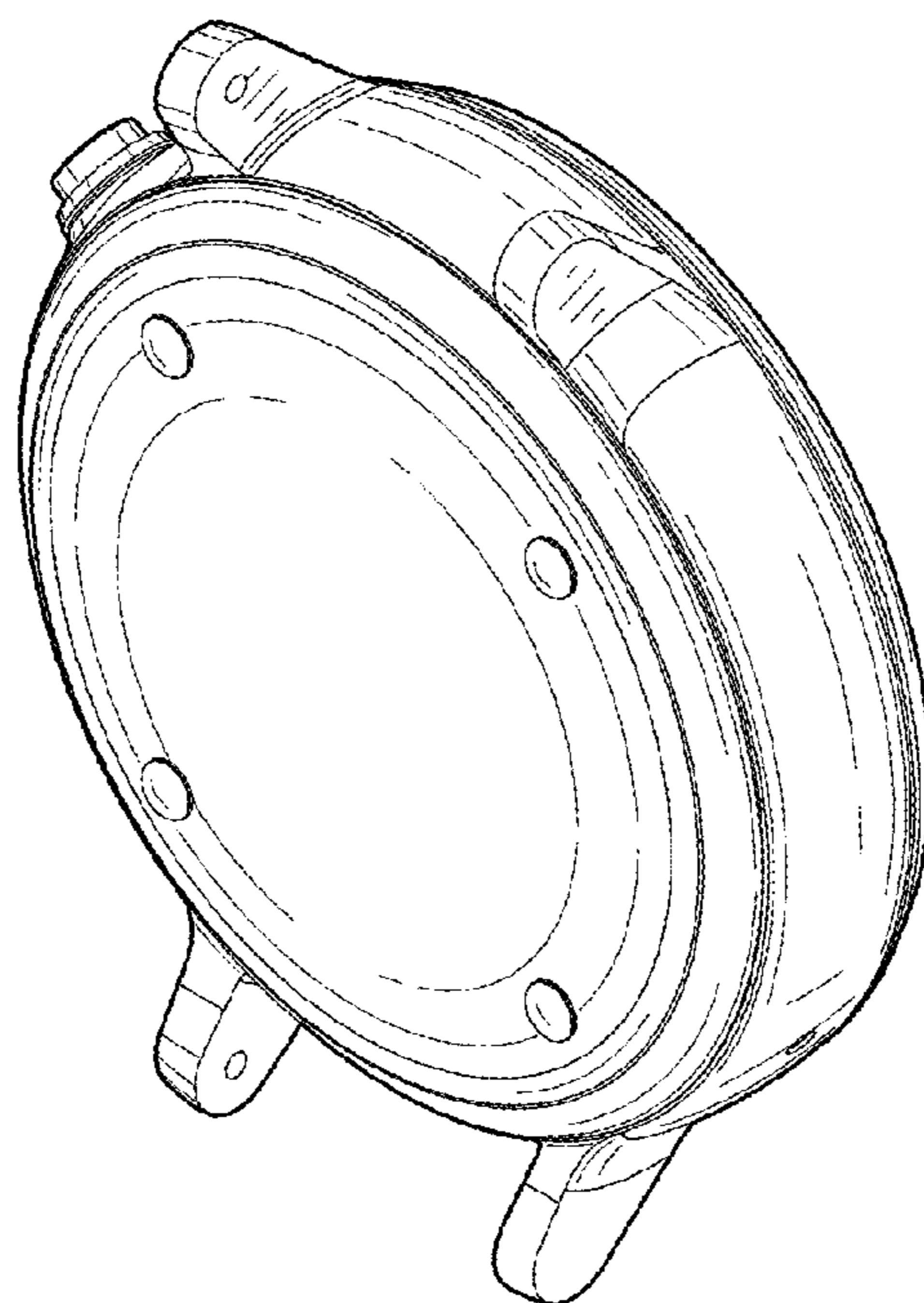


FIG. 26

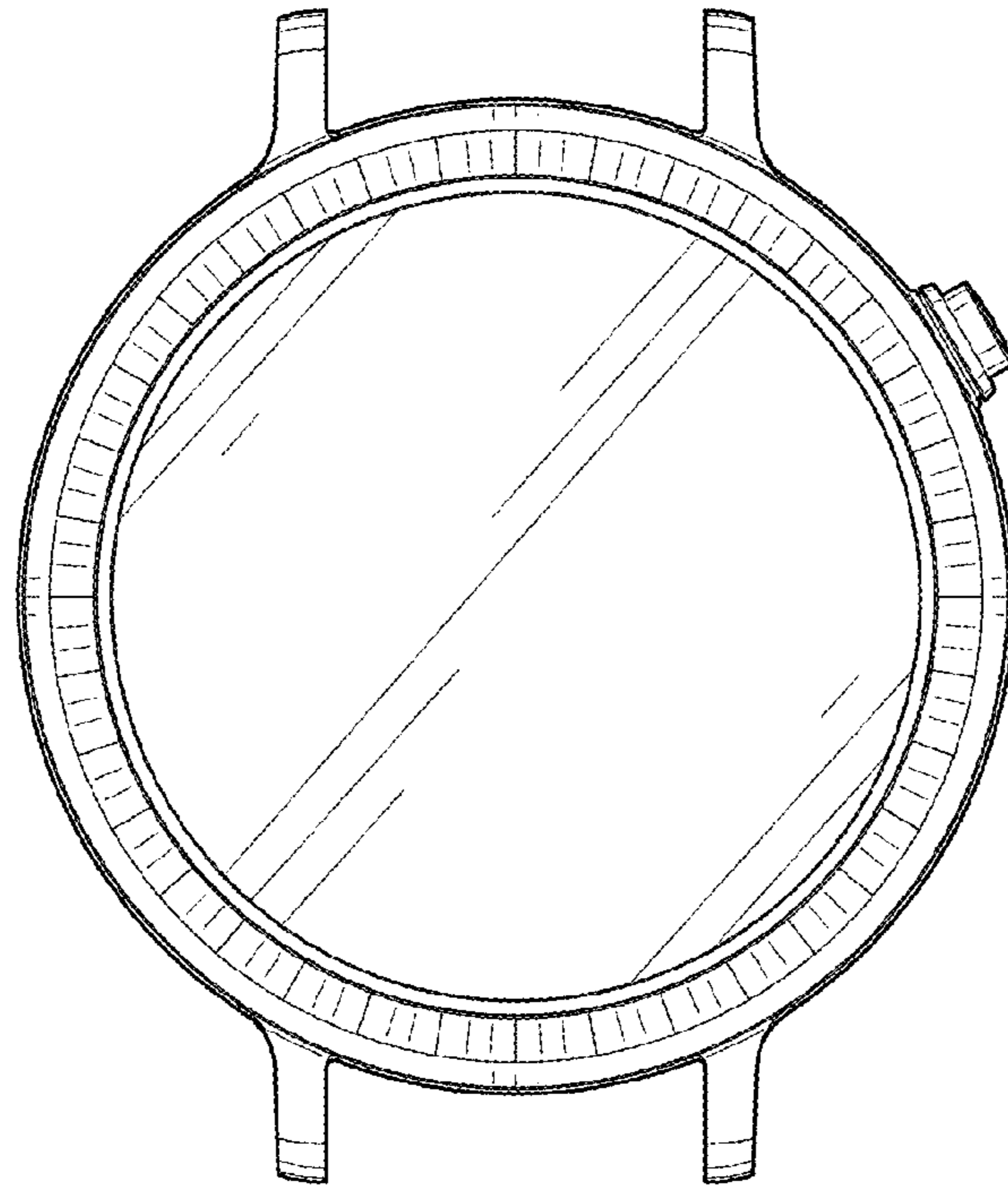


FIG. 27

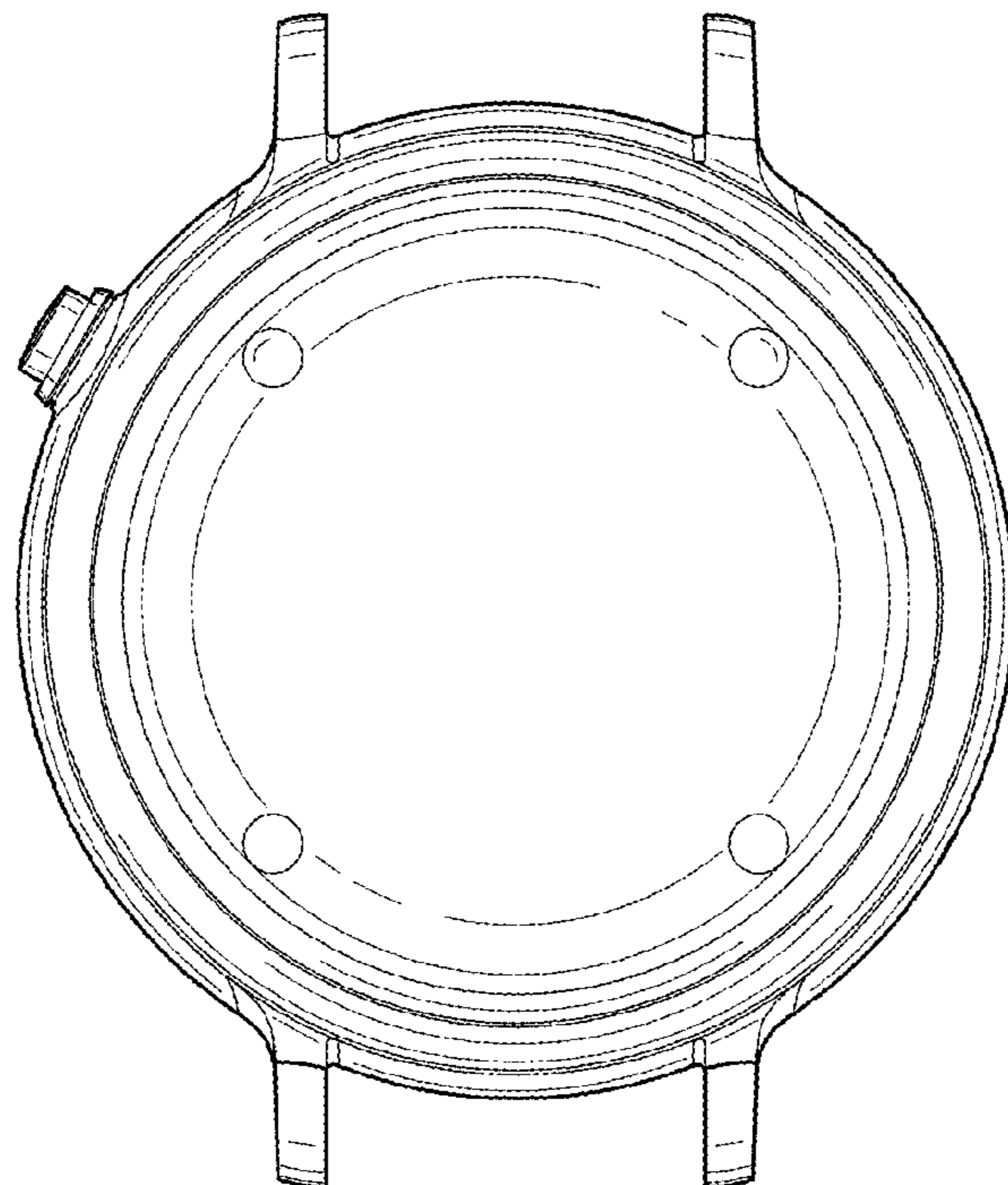


FIG. 28

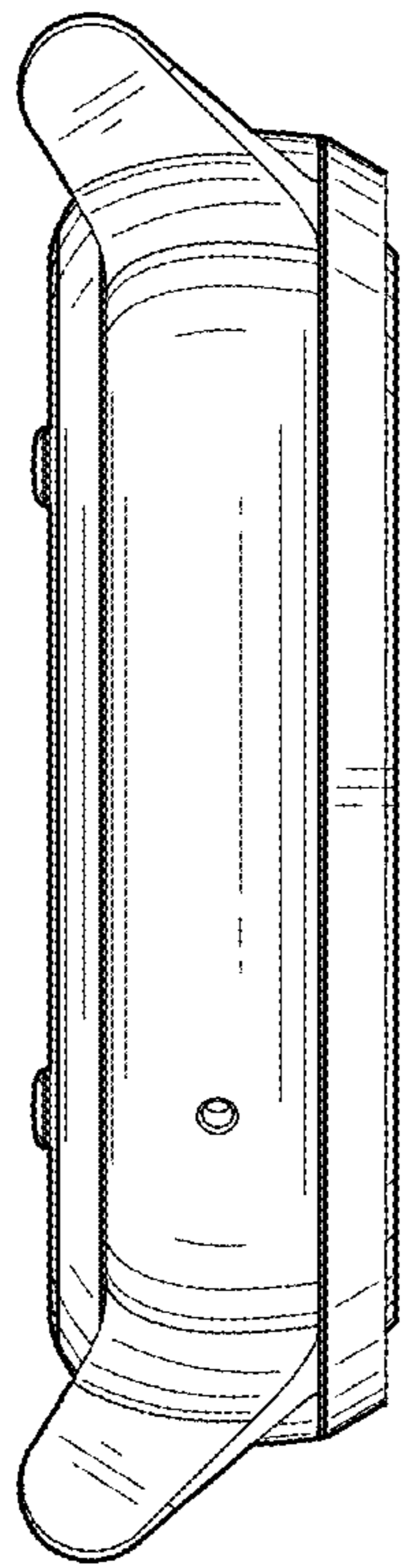


FIG. 29

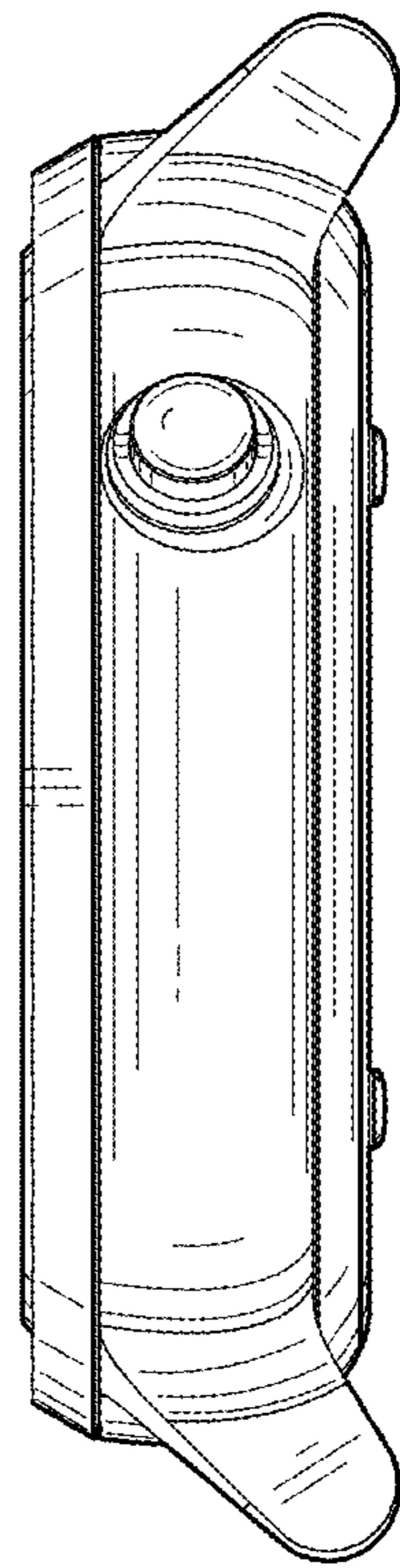


FIG. 30

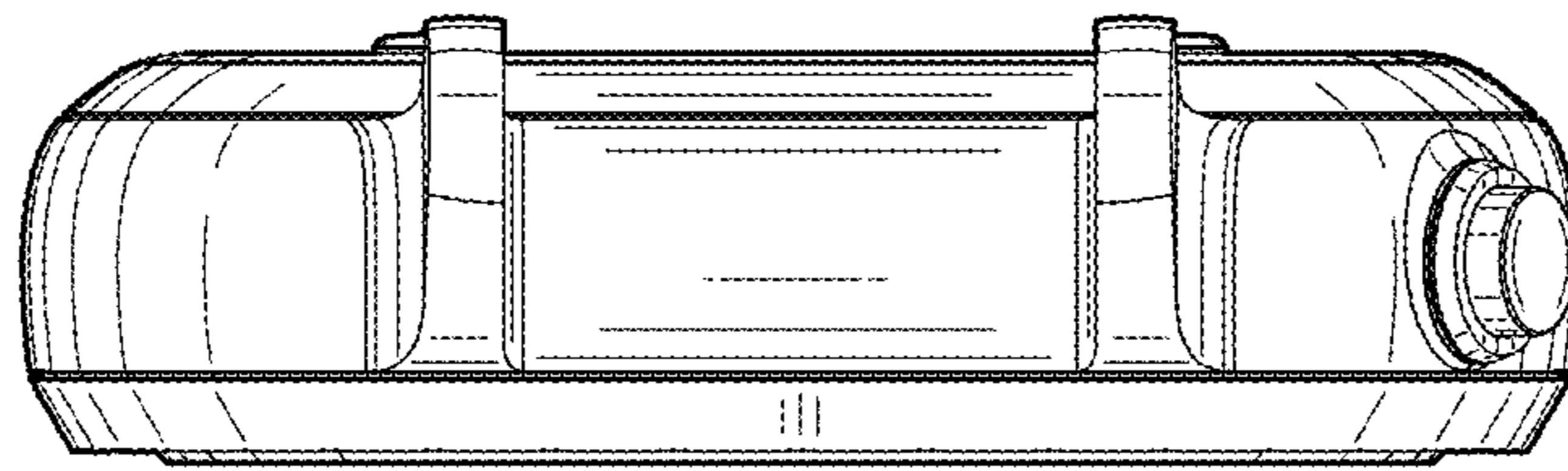


FIG. 31

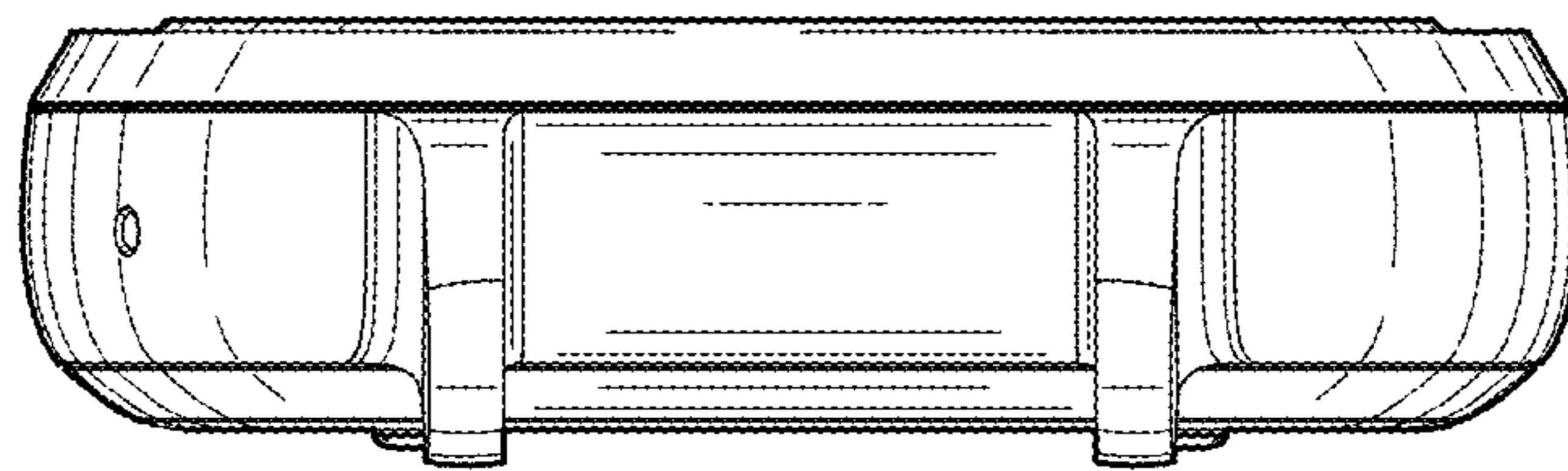


FIG. 32

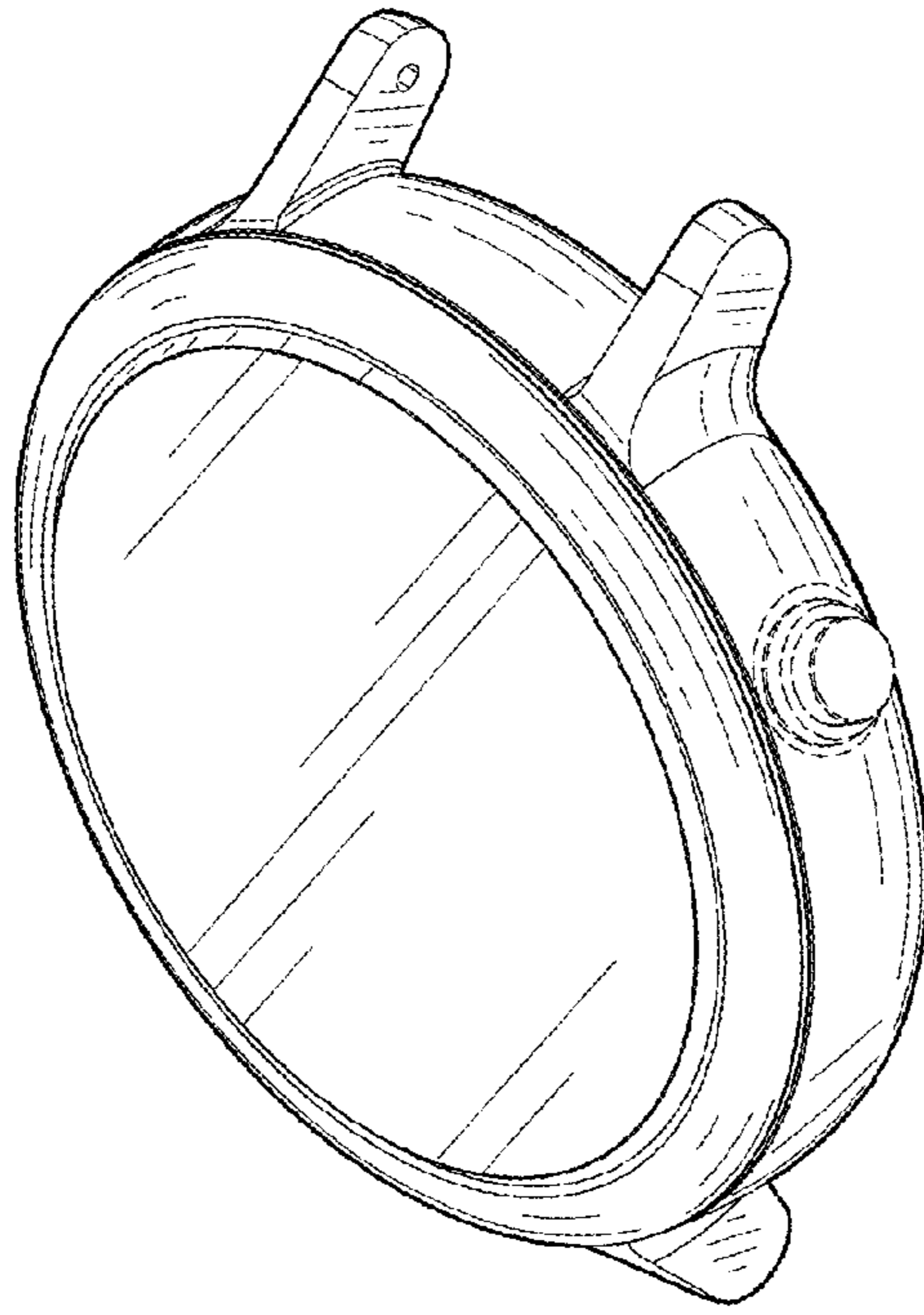


FIG. 33

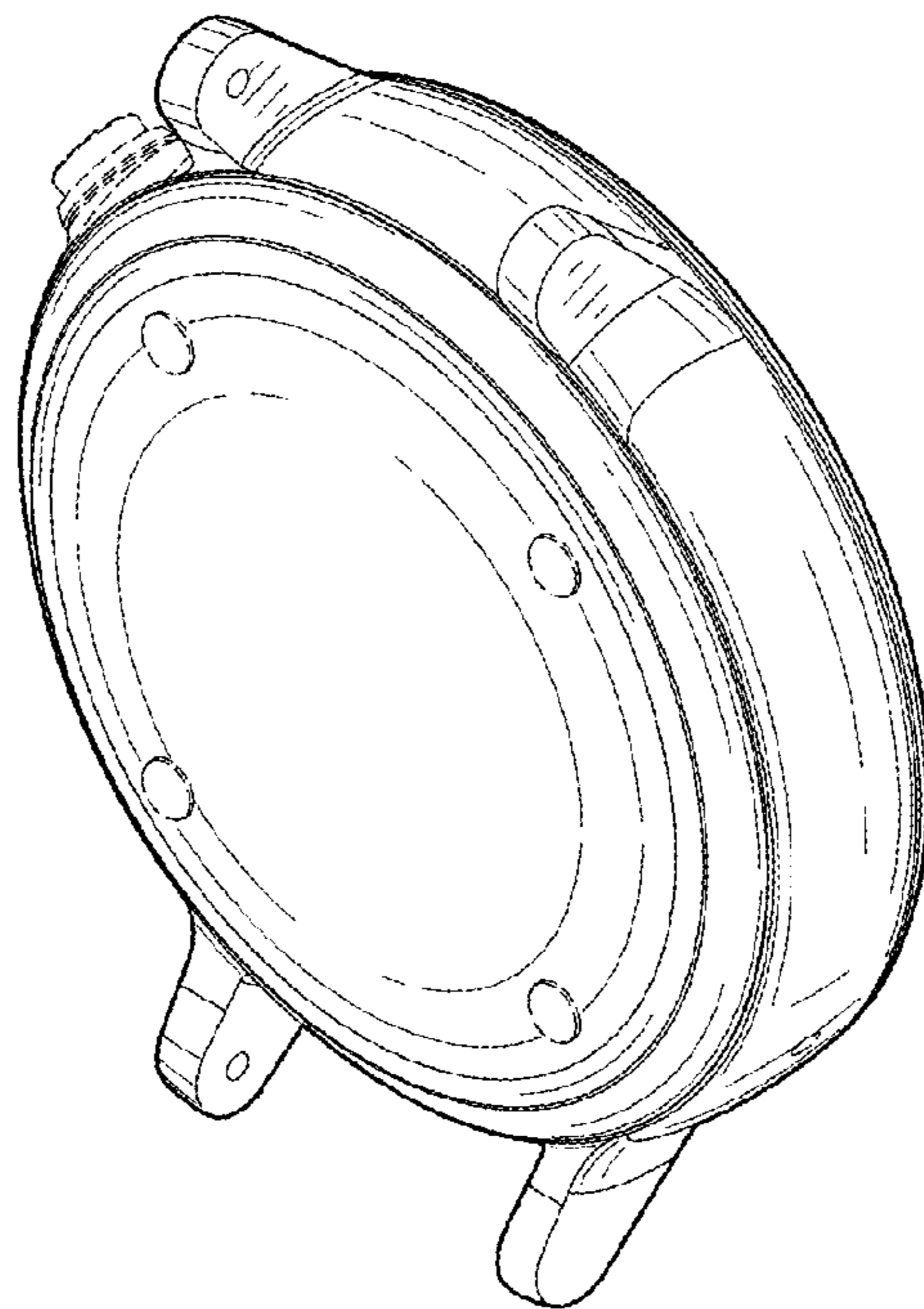


FIG. 34

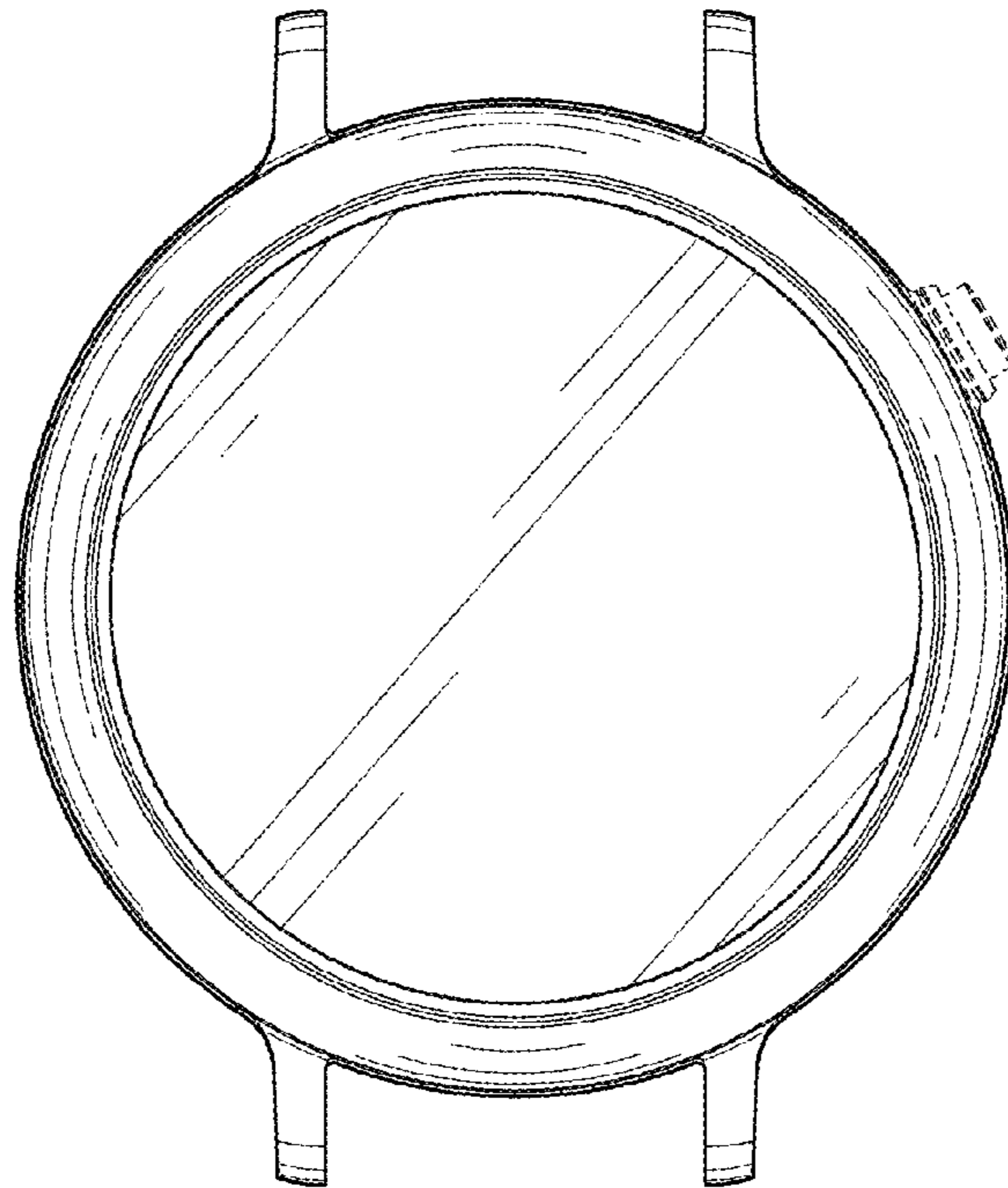


FIG. 35

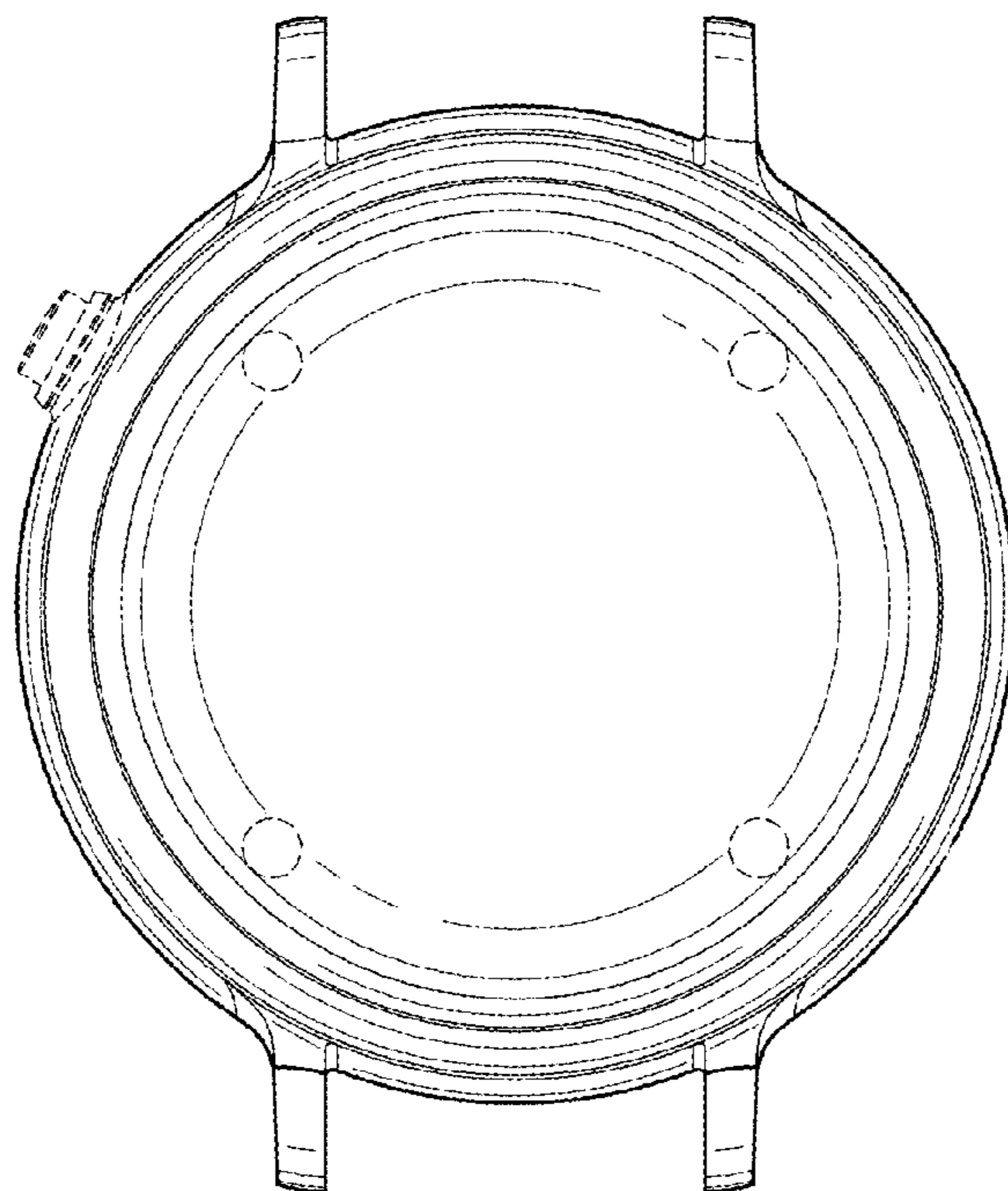


FIG. 36

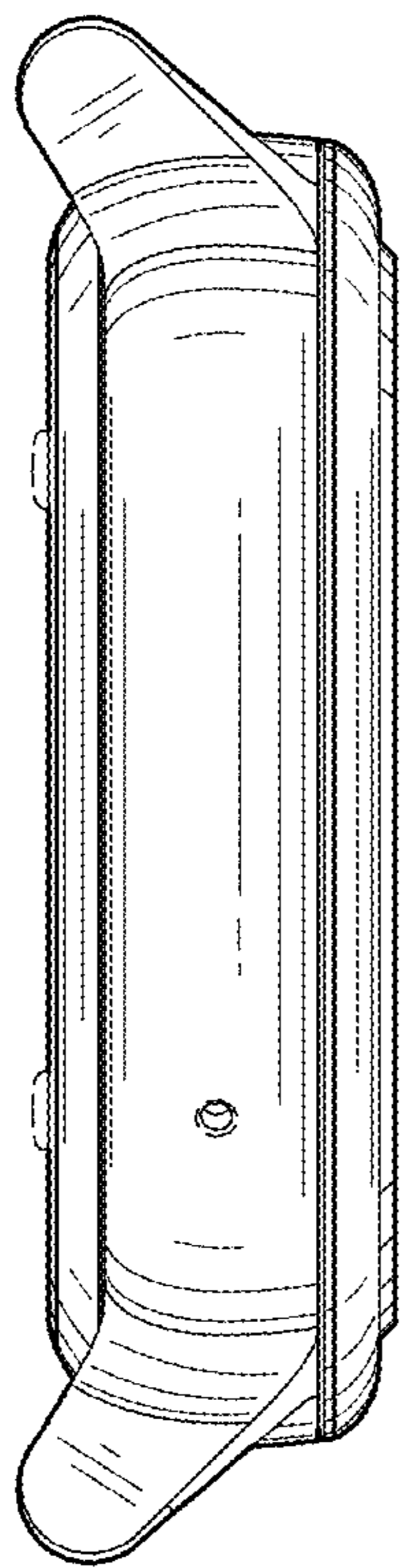


FIG. 37

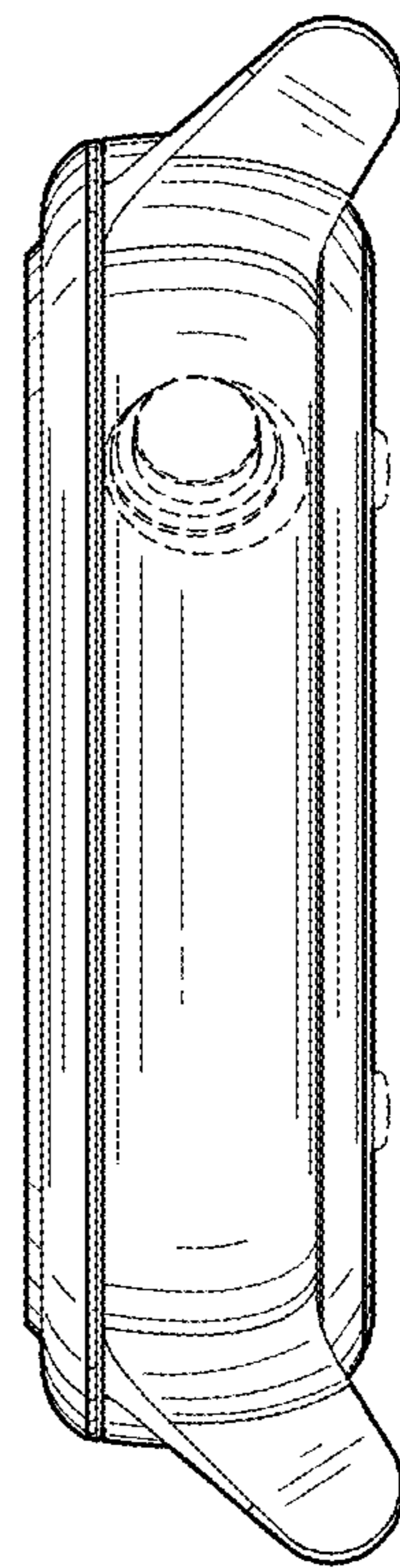


FIG. 38

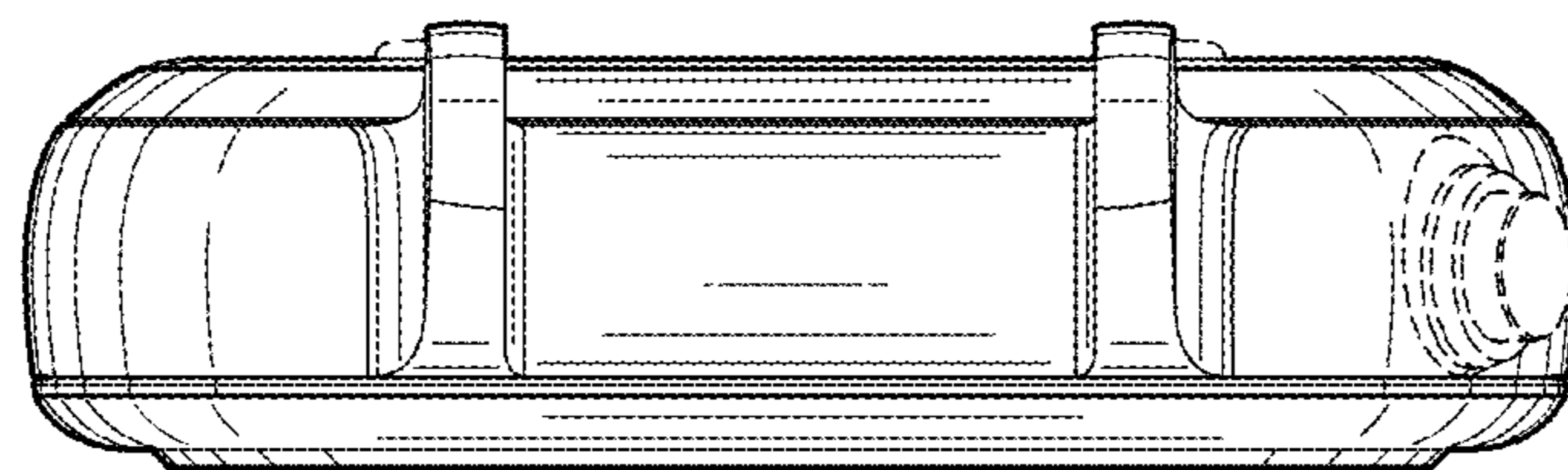


FIG. 39

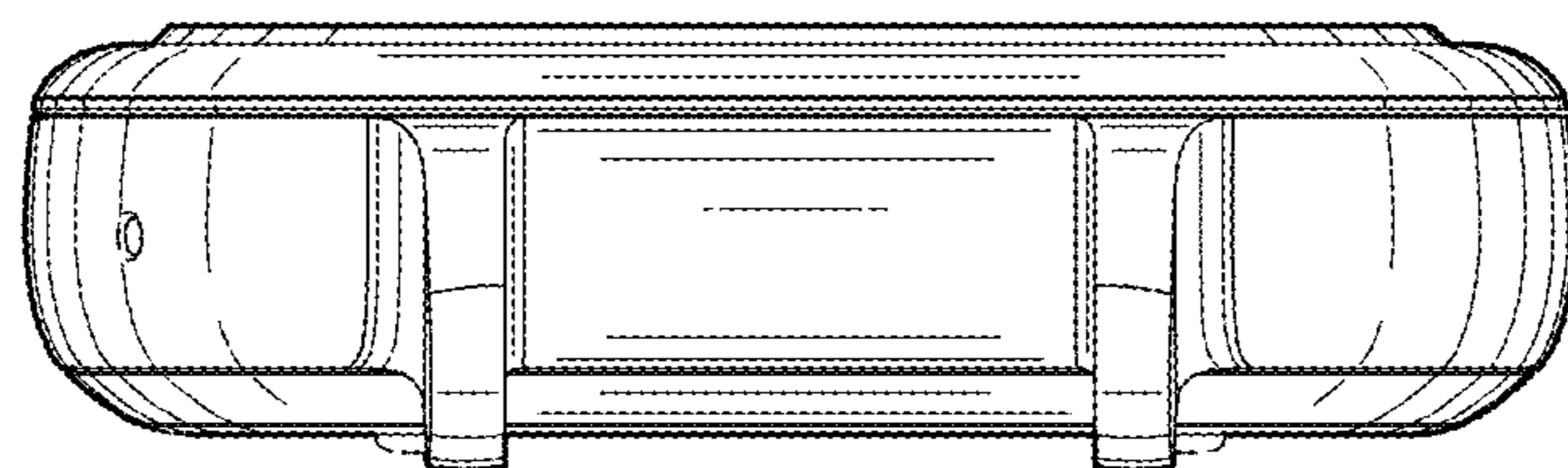


FIG. 40

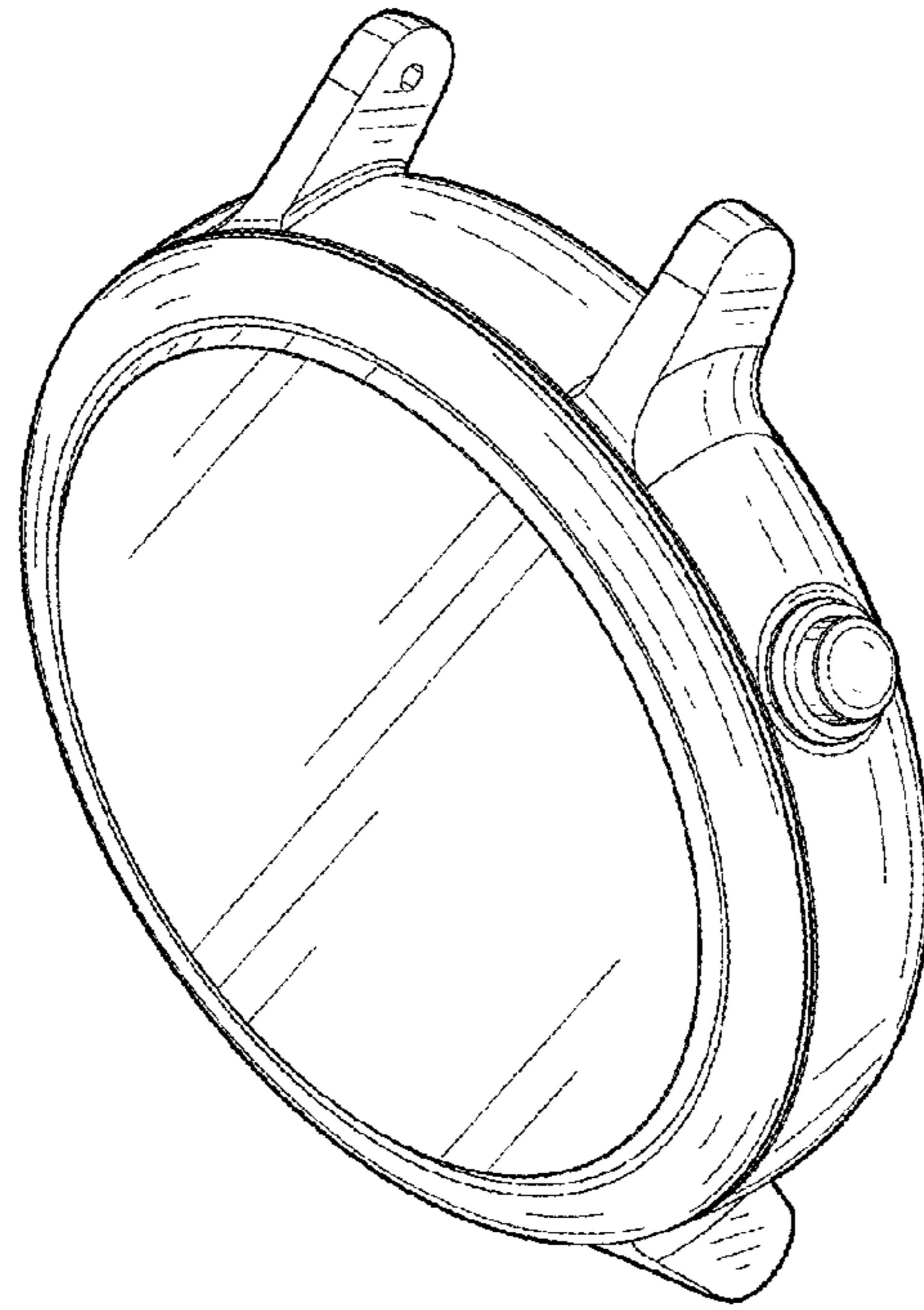


FIG. 41

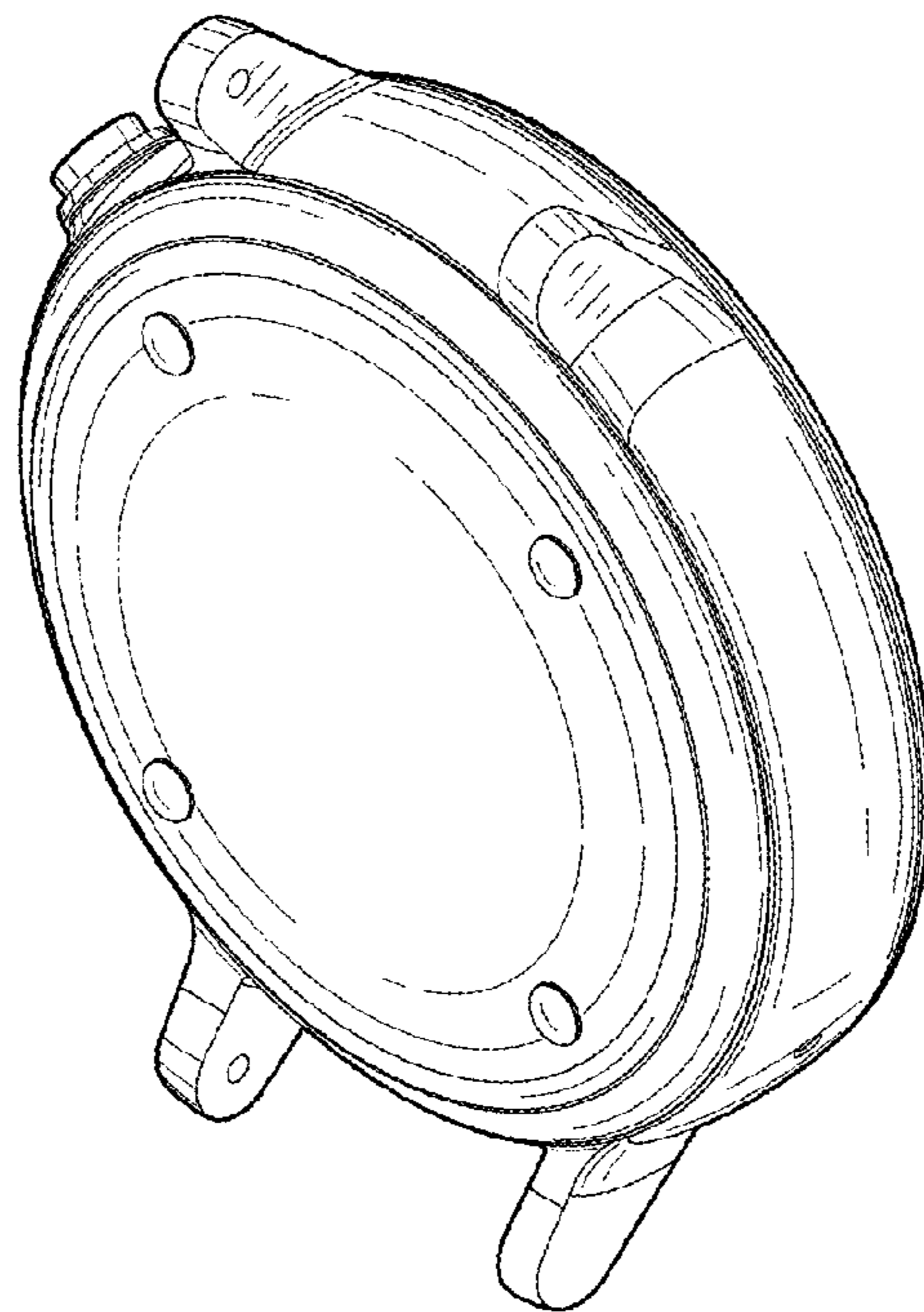


FIG. 42

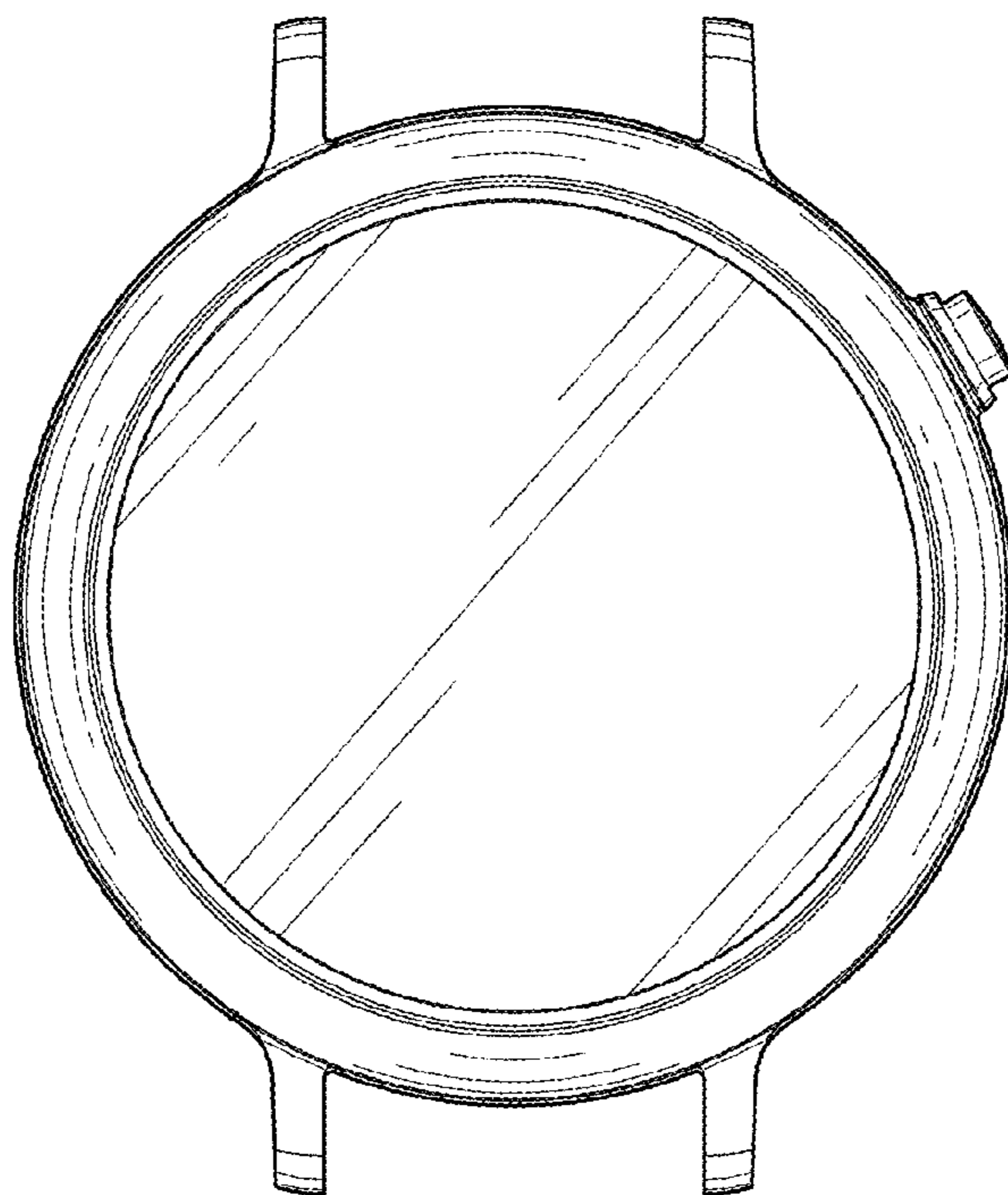


FIG. 43

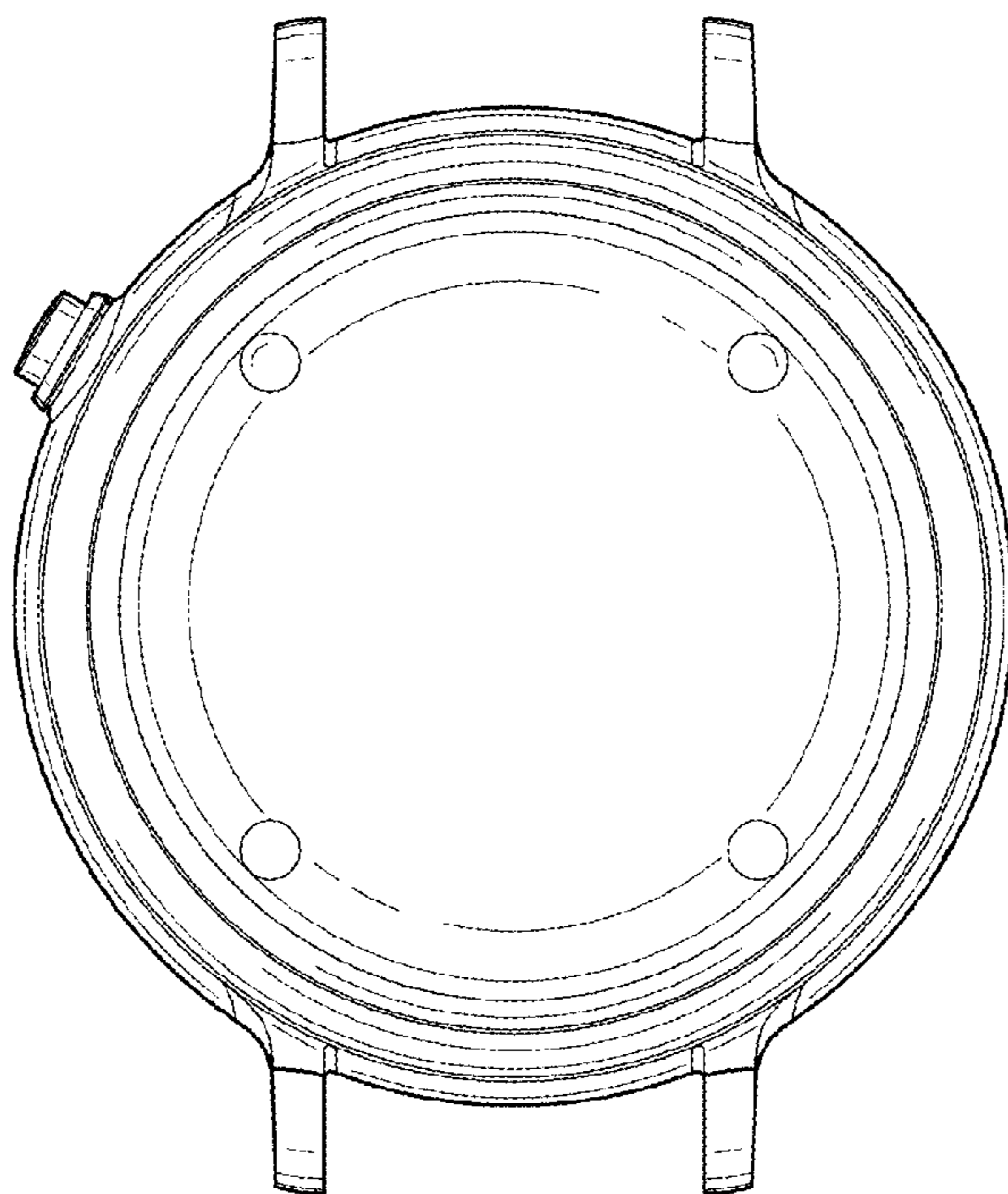


FIG. 44

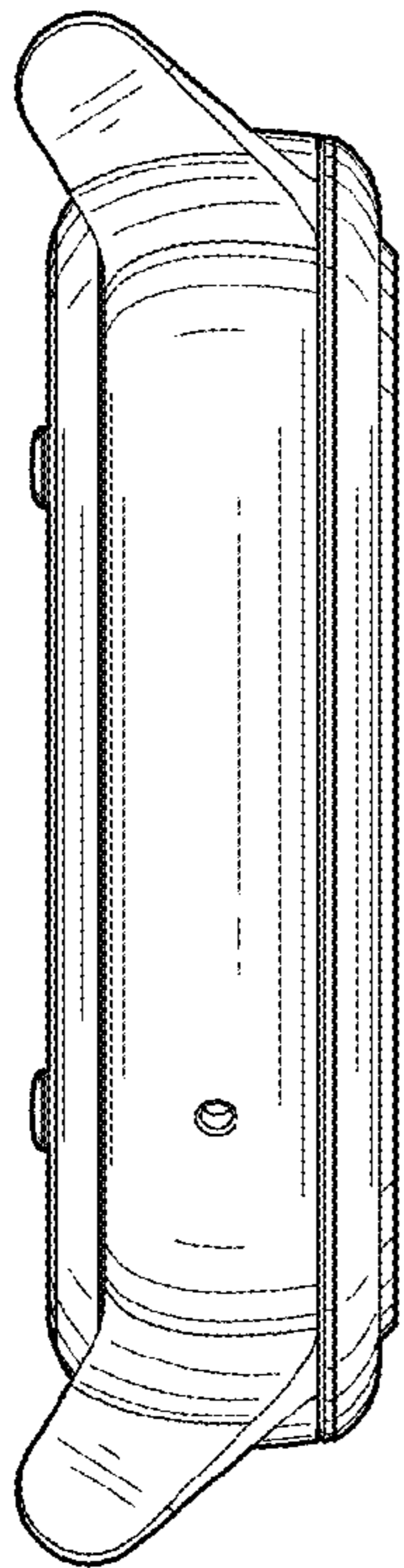


FIG. 45

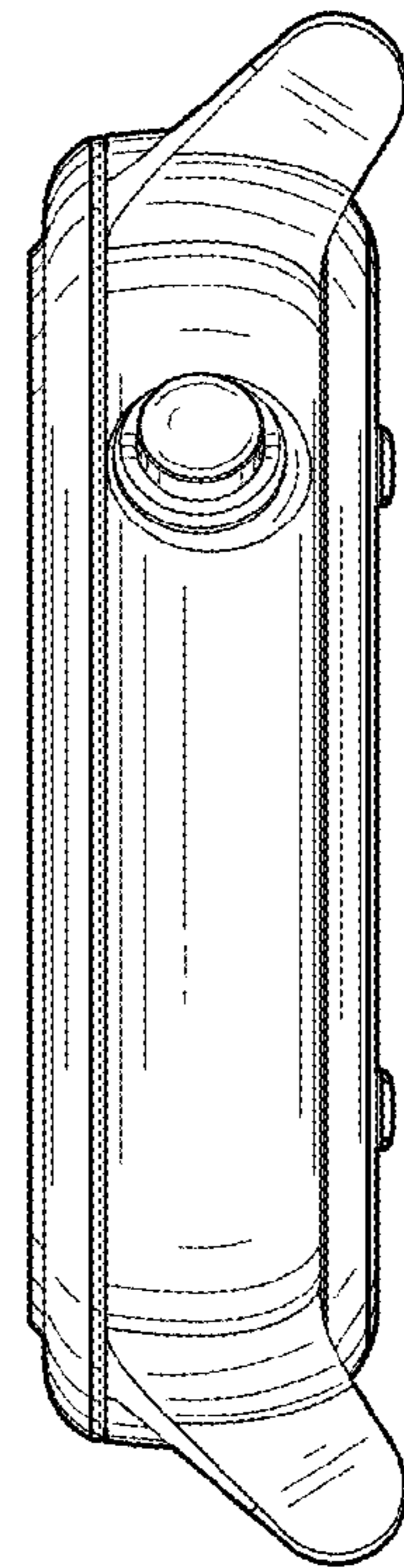


FIG. 46



FIG. 47

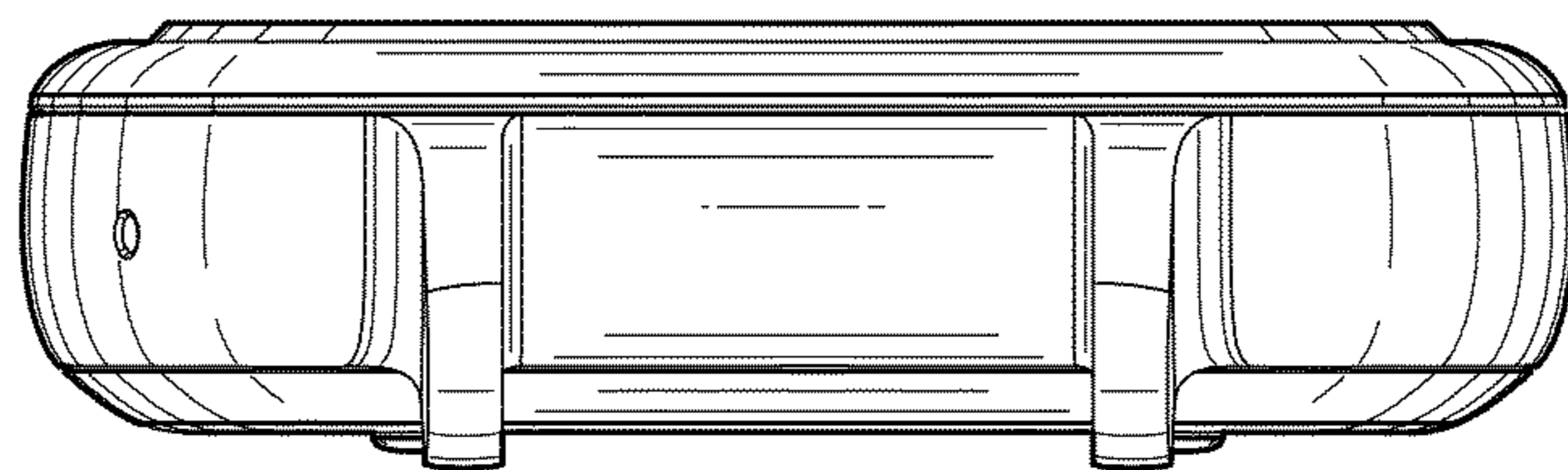


FIG. 48

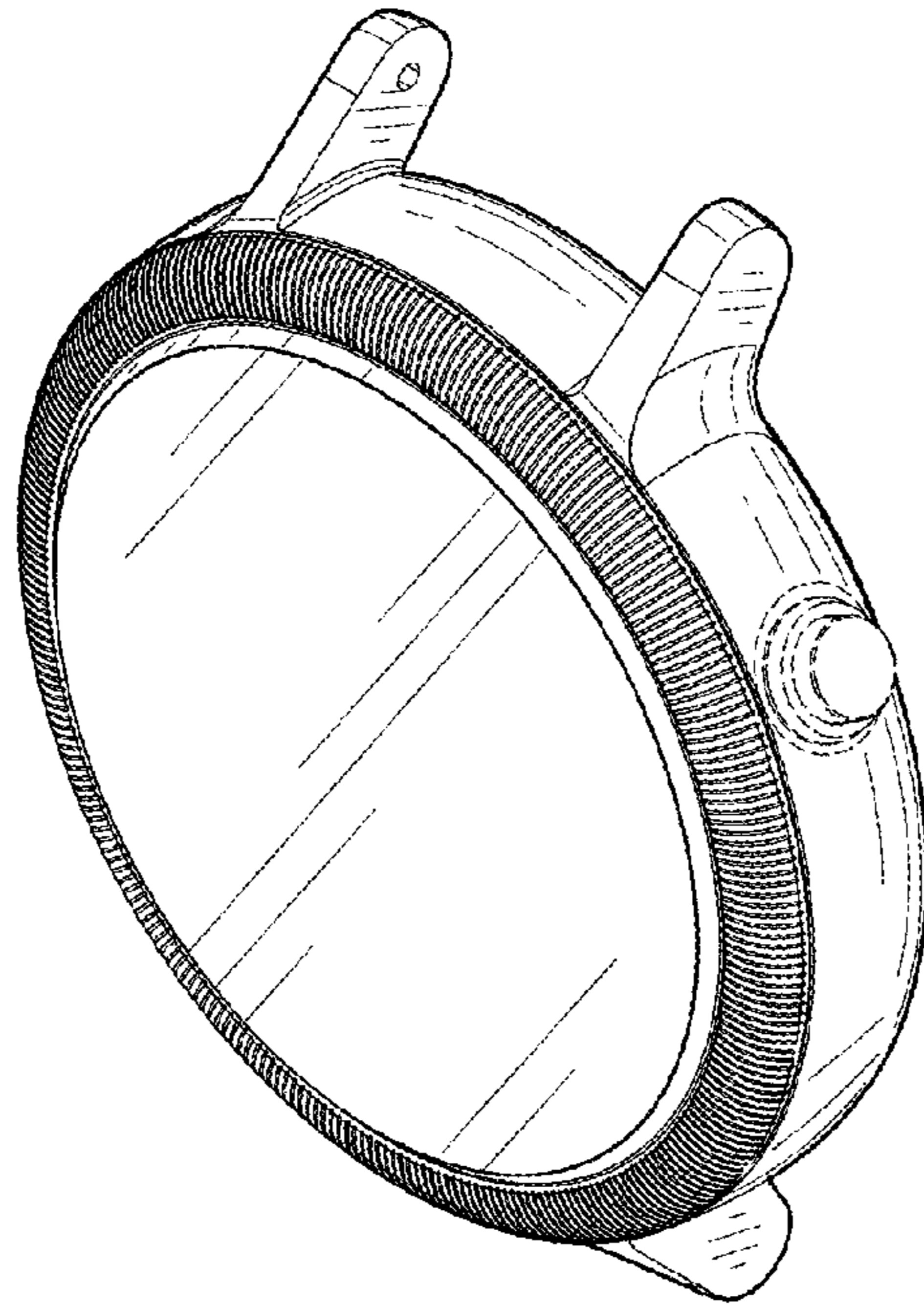


FIG. 49

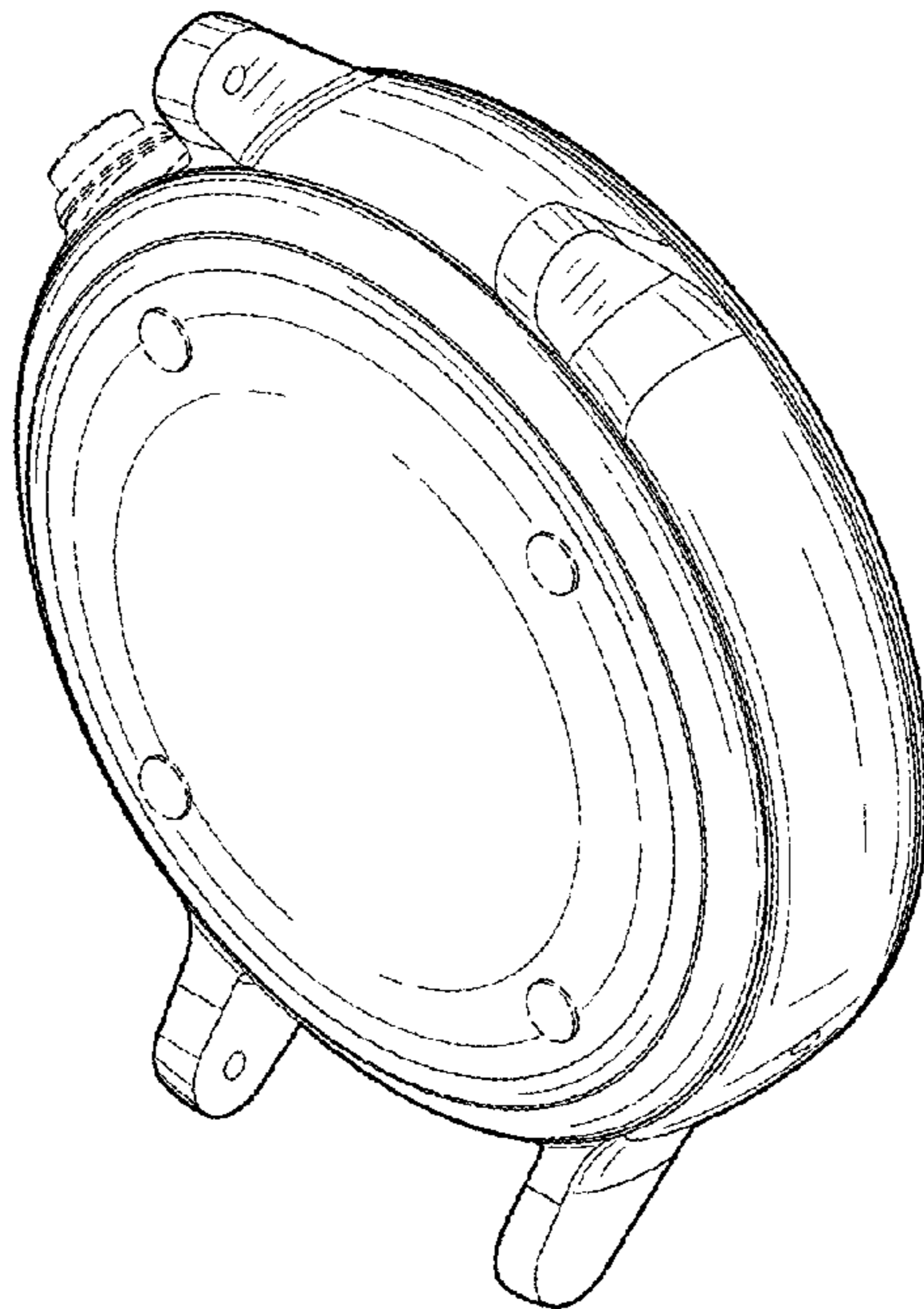


FIG. 50

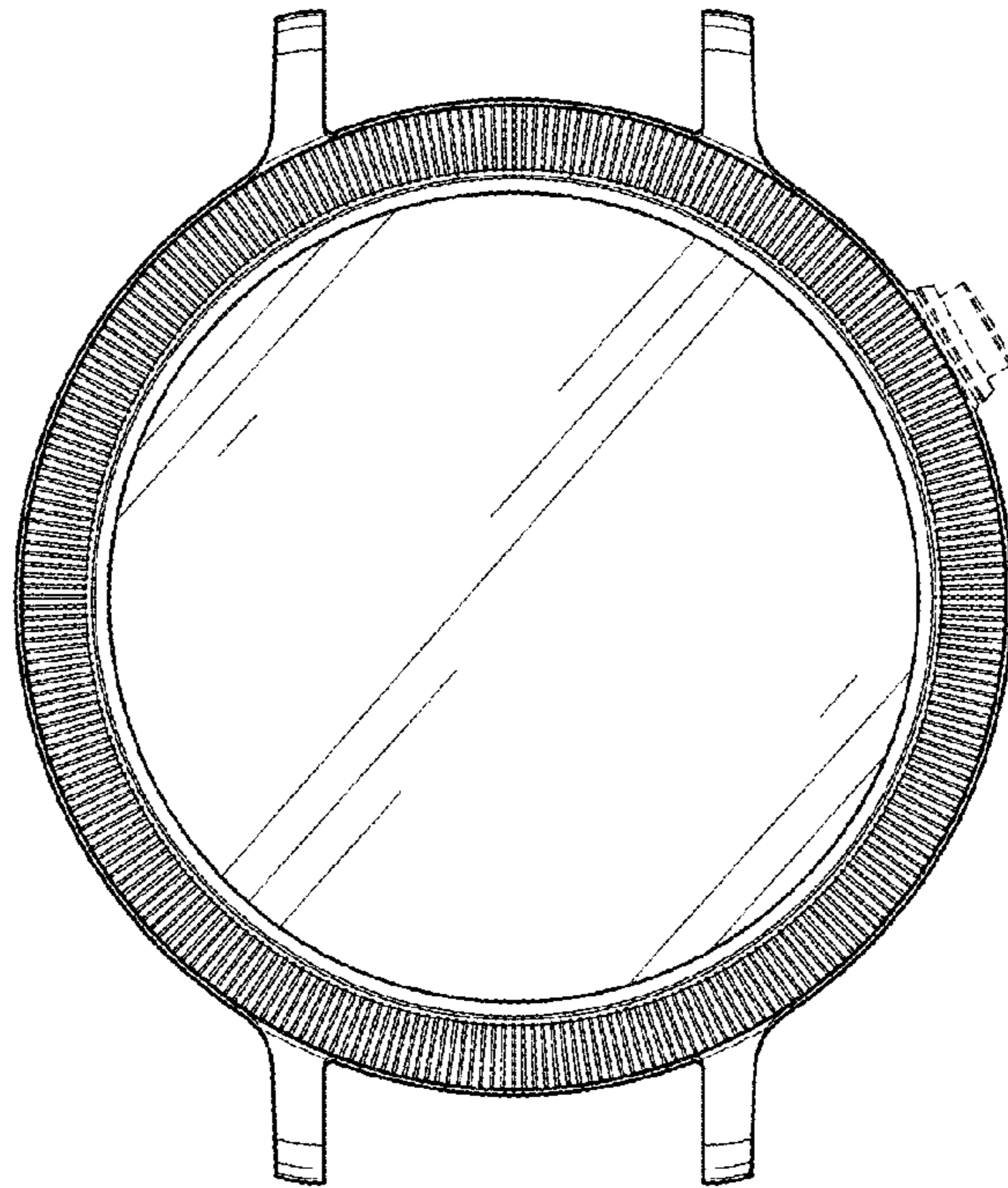


FIG. 51

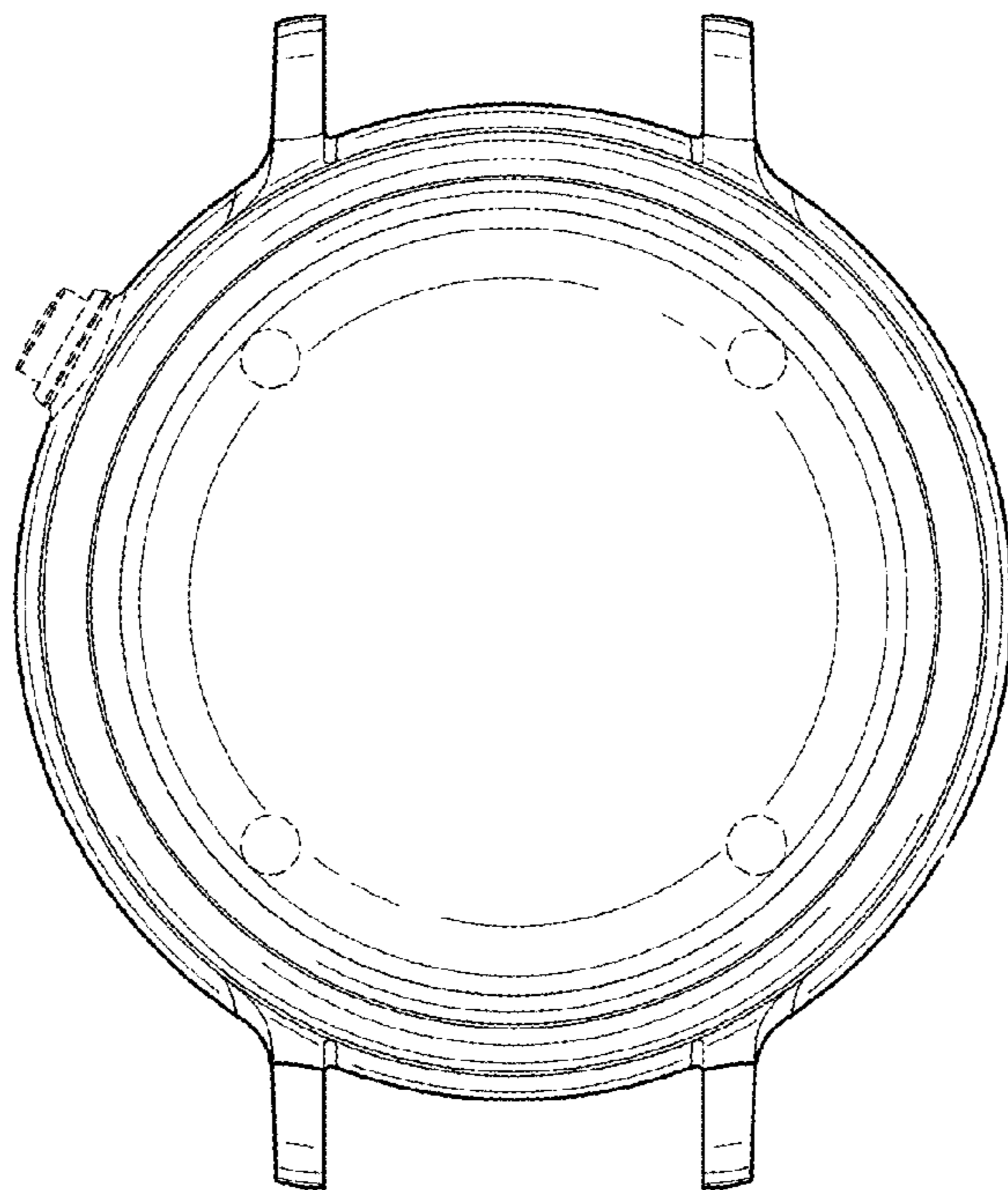


FIG. 52

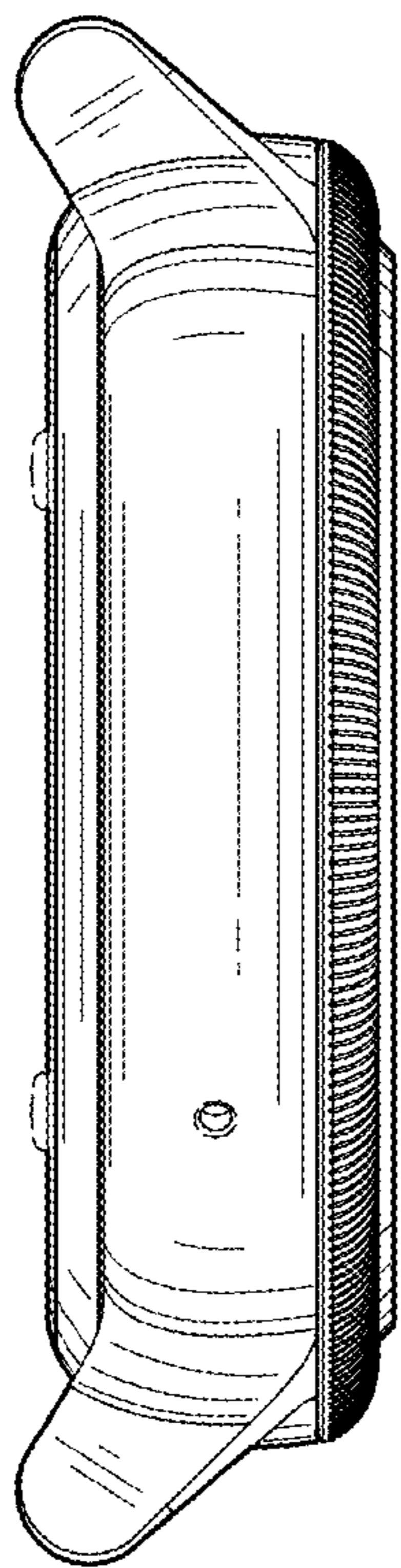


FIG. 53

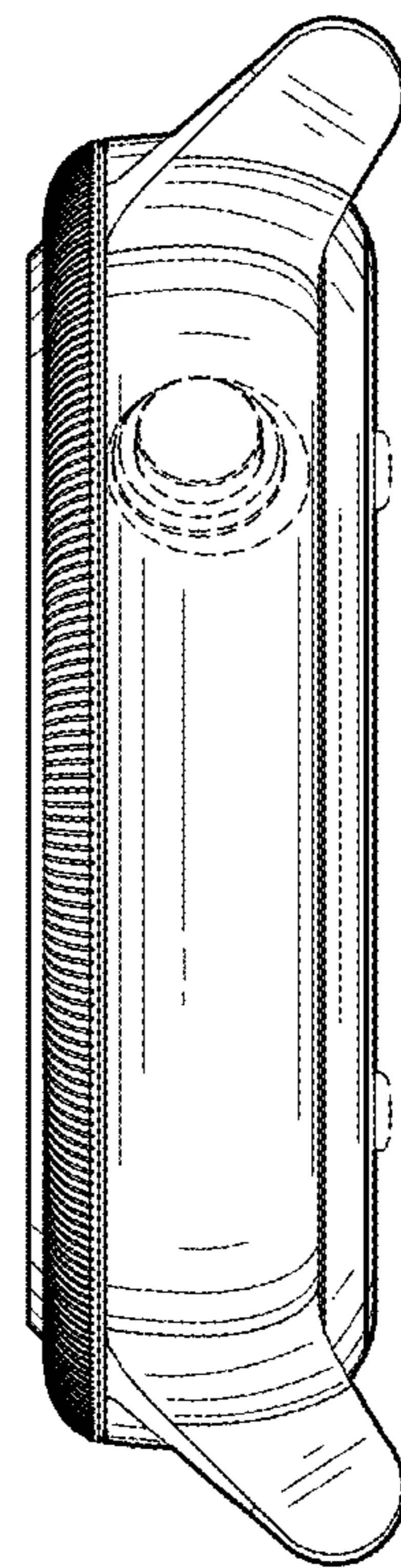


FIG. 54

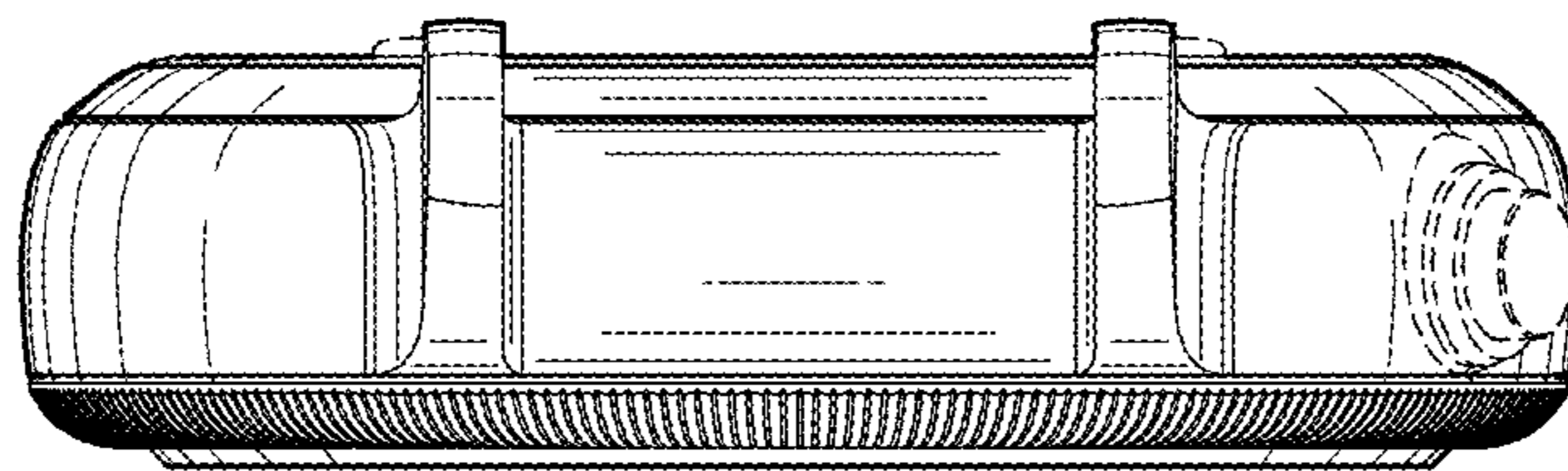


FIG. 55

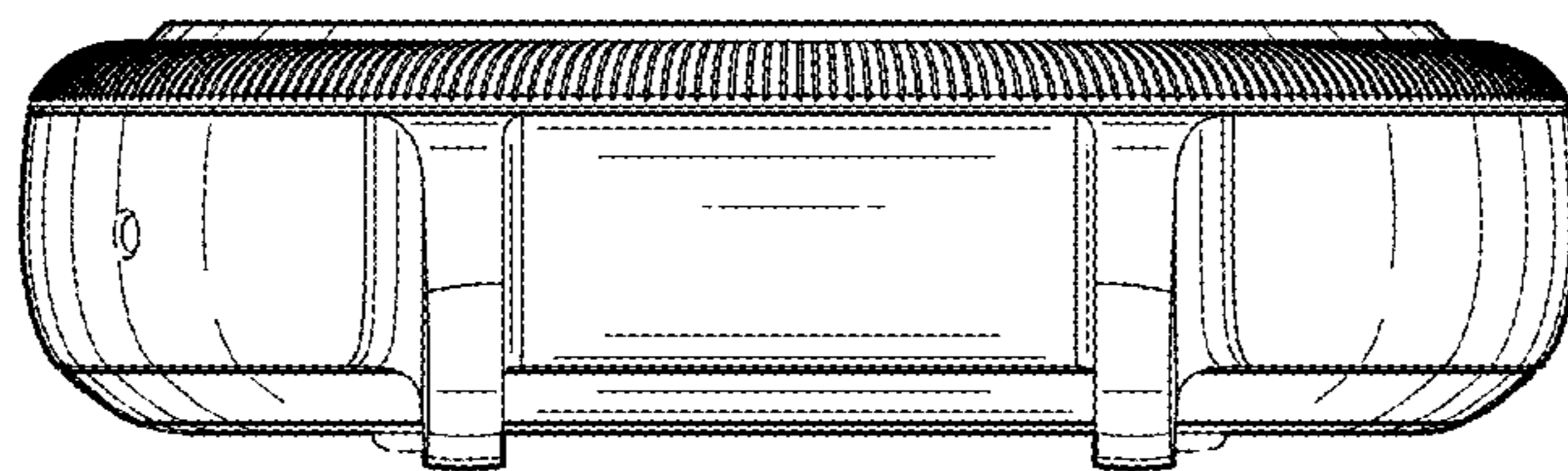


FIG. 56

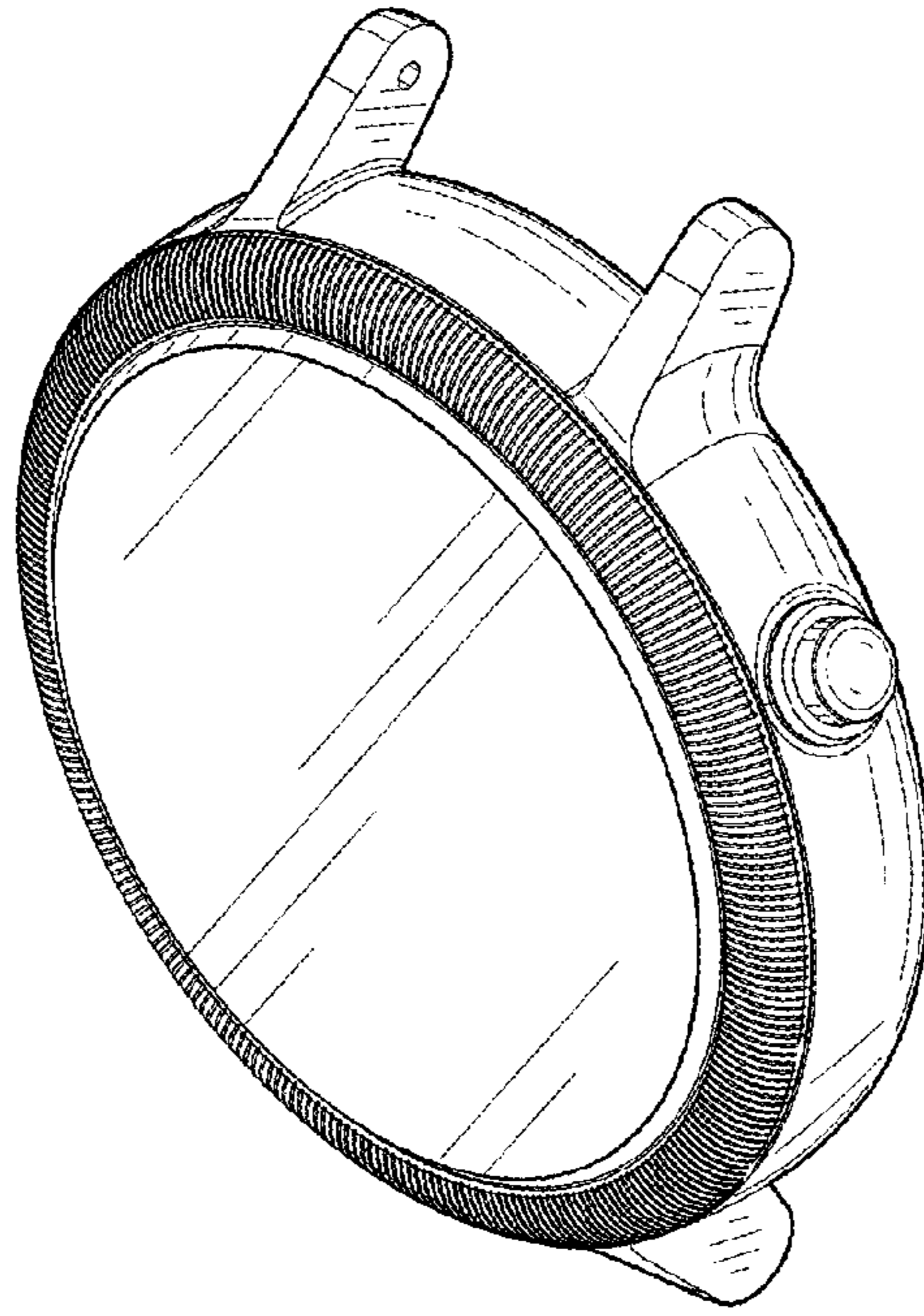


FIG. 57

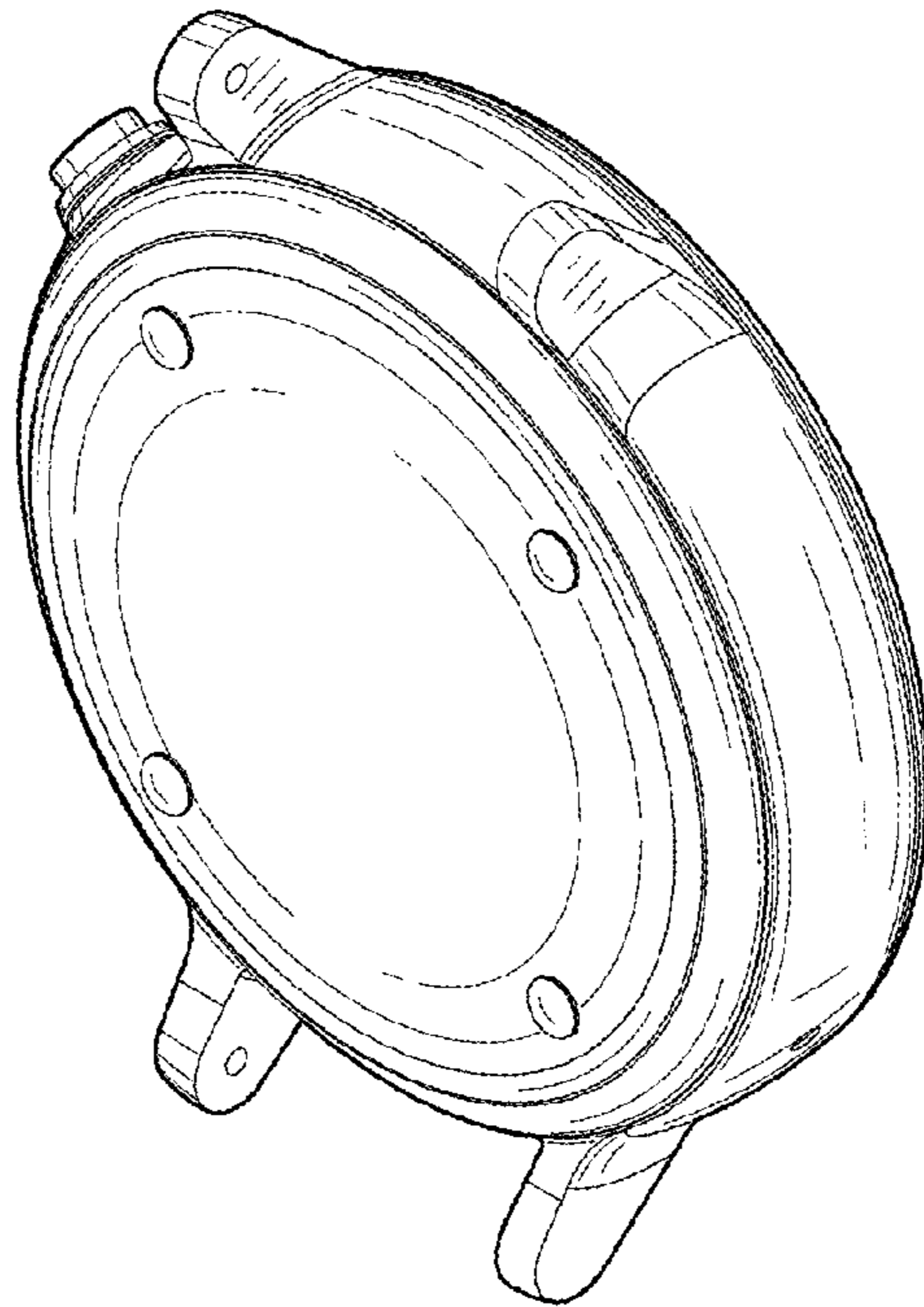


FIG. 58

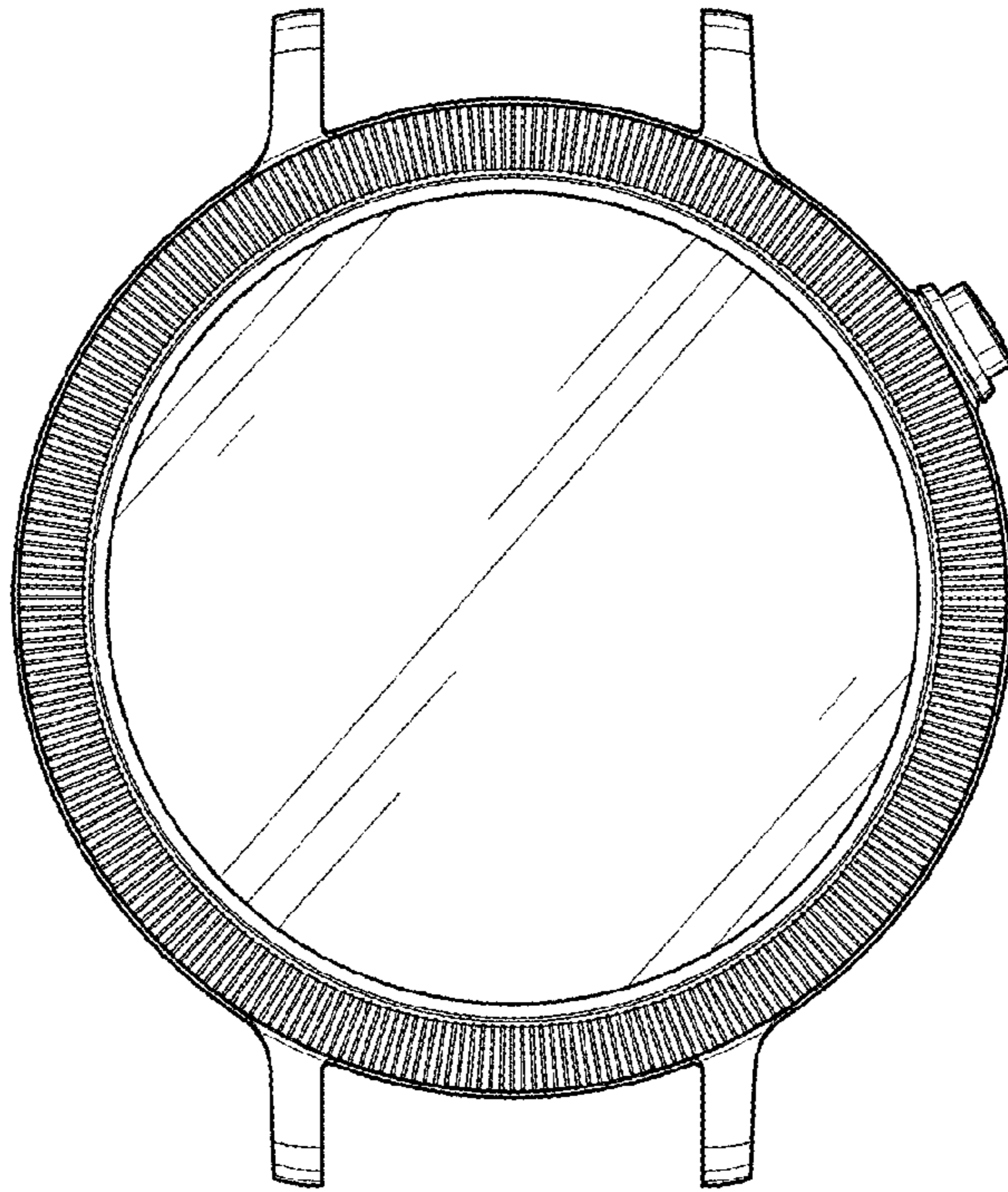


FIG. 59

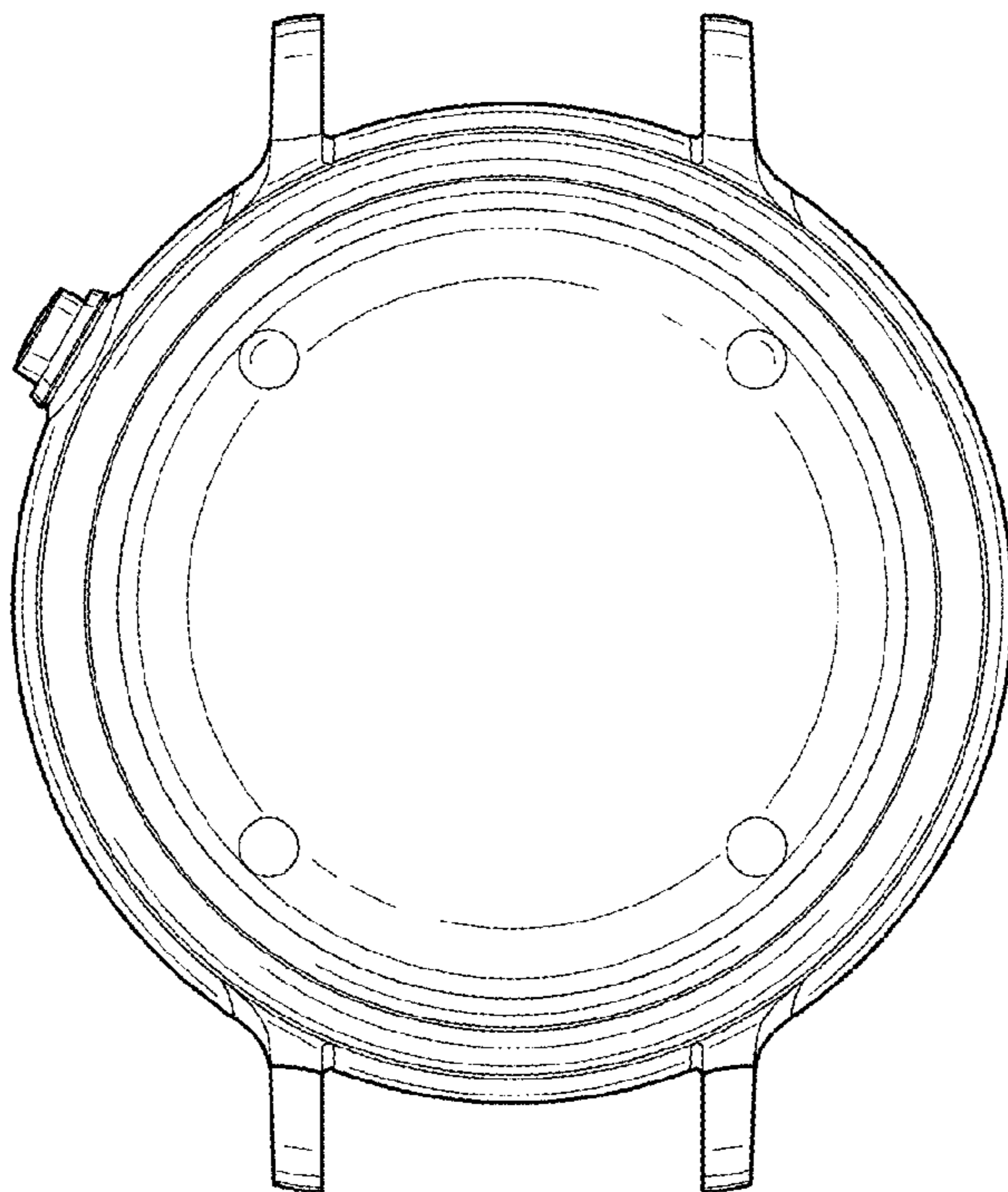


FIG. 60

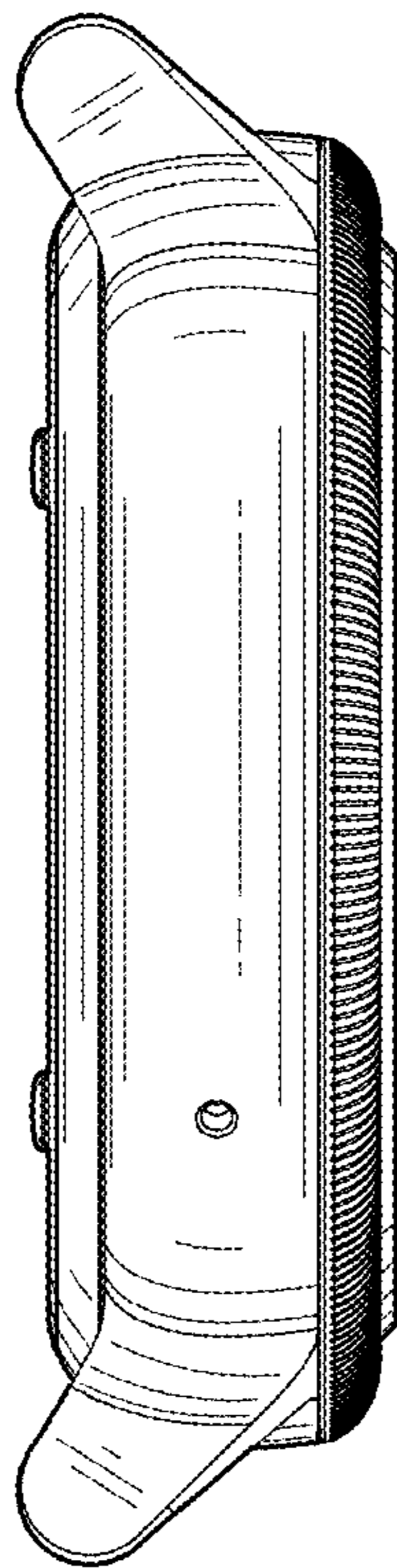


FIG. 61

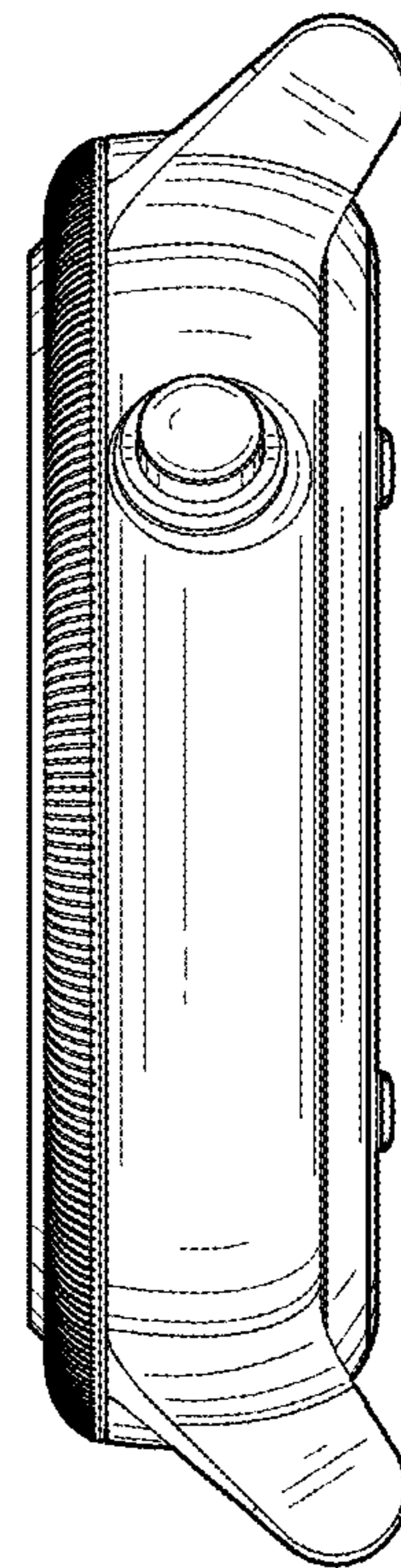


FIG. 62

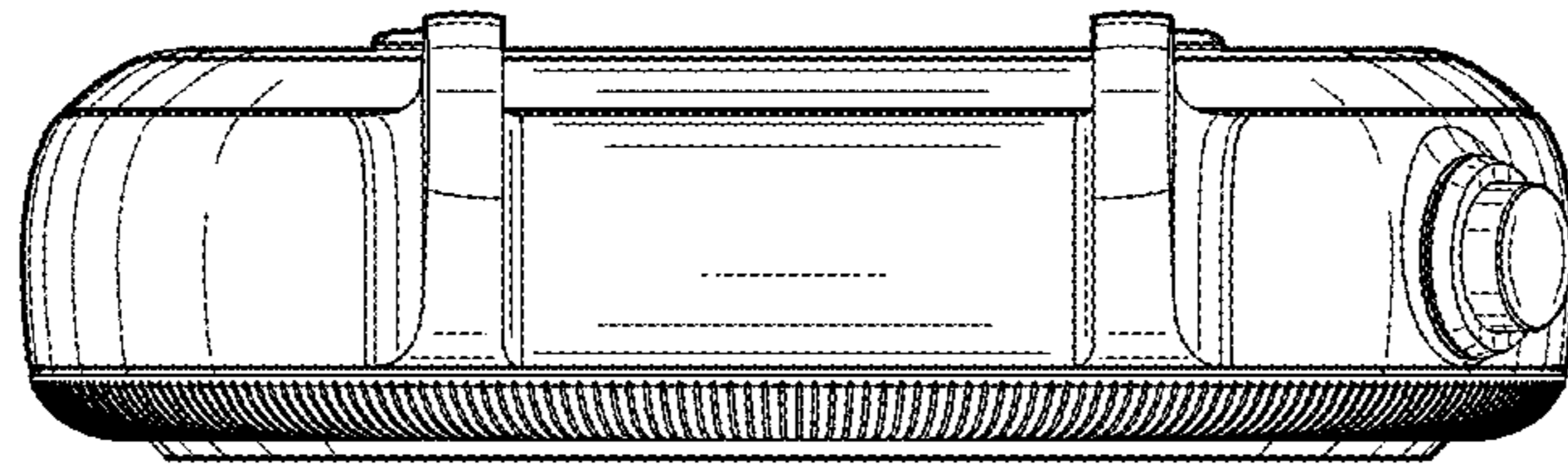


FIG. 63

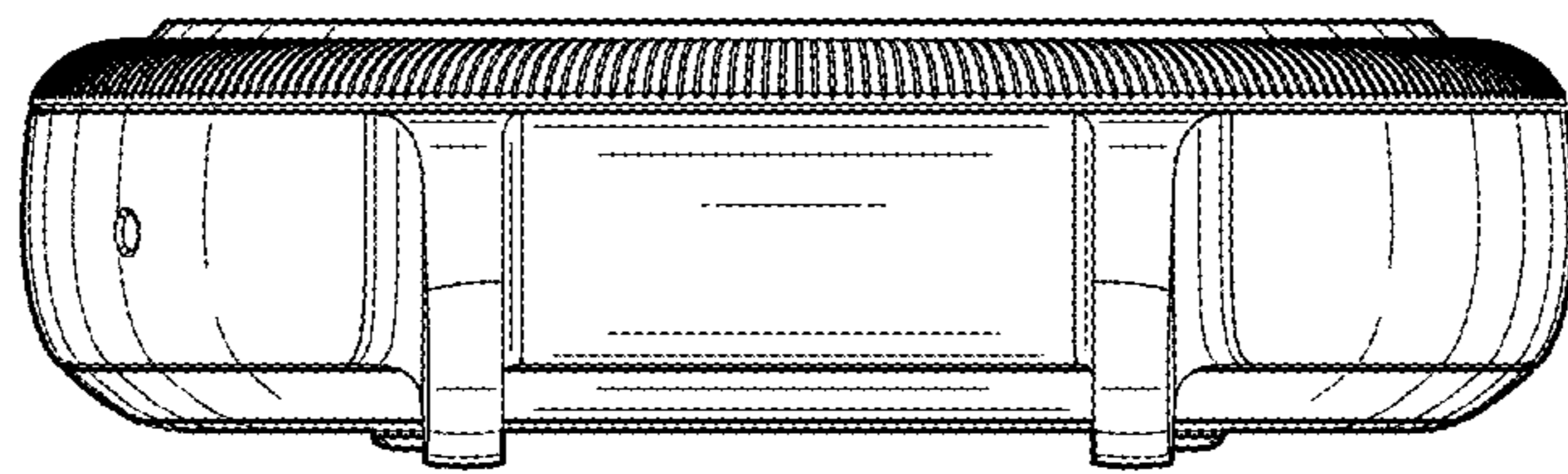


FIG. 64