

US00D767565S

(12) **United States Design Patent** (10) **Patent No.:** **US D767,565 S**  
**Francis et al.** (45) **Date of Patent:** **\*\* Sep. 27, 2016**

(54) **INSERT FOR A WEARABLE ELECTRONIC DISPLAY DEVICE**

G04G 17/08; G09F 3/005; G04B 45/0069  
See application file for complete search history.

(71) Applicant: **INTEL CORPORATION**, Santa Clara, CA (US)

(56) **References Cited**

(72) Inventors: **Mark R. Francis**, Portland, OR (US);  
**Mark Pontarelli**, Lake Oswego, OR (US);  
**Gregory Peek**, Northplains, OR (US);  
**Kate Niedermeyer**, Hillsboro, OR (US)

U.S. PATENT DOCUMENTS

1,935,504 A \* 11/1933 Hargreaves ..... 63/7  
D261,123 S \* 10/1981 Saffran et al. .... D11/86

(Continued)

(73) Assignee: **Intel Corporation**, Santa Clara, CA (US)

OTHER PUBLICATIONS

Intel MICA (the gadgeteer), available Nov. 21, 2014, [online], [site visited Jun. 9, 2015]. Available from internet, <URL: <http://the-gadgeteer.com/2014/11/21/intel-introduces-mica-for-the-stylish-connected-woman/>>.\*

(Continued)

(\*\*) Term: **14 Years**

*Primary Examiner* — Cathron Brooks

(21) Appl. No.: **29/477,912**

*Assistant Examiner* — Teddy Falloway

(22) Filed: **Dec. 28, 2013**

(74) *Attorney, Agent, or Firm* — International IP Law Group, P.L.L.C.

(51) **LOC (10) Cl.** ..... **14-02**

(52) **U.S. Cl.**

USPC ..... **D14/344**; D11/4; D11/86

(58) **Field of Classification Search**

USPC ..... D14/315–318, 341–344, 129, 130, 496, D14/137, 138 R, 138 AA, 138 C, 138 G, D14/138 AB, 147, 203.1, 203.3, 203.4, D14/203.7, 247, 389; D6/300–302, 308, D6/310, 312, 332; D18/6, 7; D21/324, D21/329, 330, 332, 478–480, 484, 491, 492, D21/500–502; 455/556.2, 566; 379/916, 379/433.04, 433.1; 345/901, 905, 173; 361/679.26, 679.3, 679.55, 679.56; D25/48.4, 58; 297/17, 16.1, 45; D20/10, 21; 52/234; 160/118; D10/30–33, 38, 39, 1, 2, 6, 15, 21, 24, D10/25, 27, 28; D11/1–8, 19–25, 11–13, D11/93, 94; 368/281, 282, 295, 276, 277; 63/3, 3.1, 7, 1.13

CPC .... A44C 5/0007; A44C 5/0084; A44C 5/00; A44C 5/0053; A44C 5/0069; A44C 5/0092; A44C 5/102; A44C 5/2066; A44C 5/2076;

(57) **CLAIM**

The ornamental design for an insert for a wearable electronic display device, as shown and described.

**DESCRIPTION**

FIG. 1 is a perspective left side view of an insert for a wearable electronic display device, shown with the insert removed from the device;

FIG. 2 is a right front perspective view thereof;

FIG. 3 is a bottom front perspective view thereof, shown with the insert placed in the device;

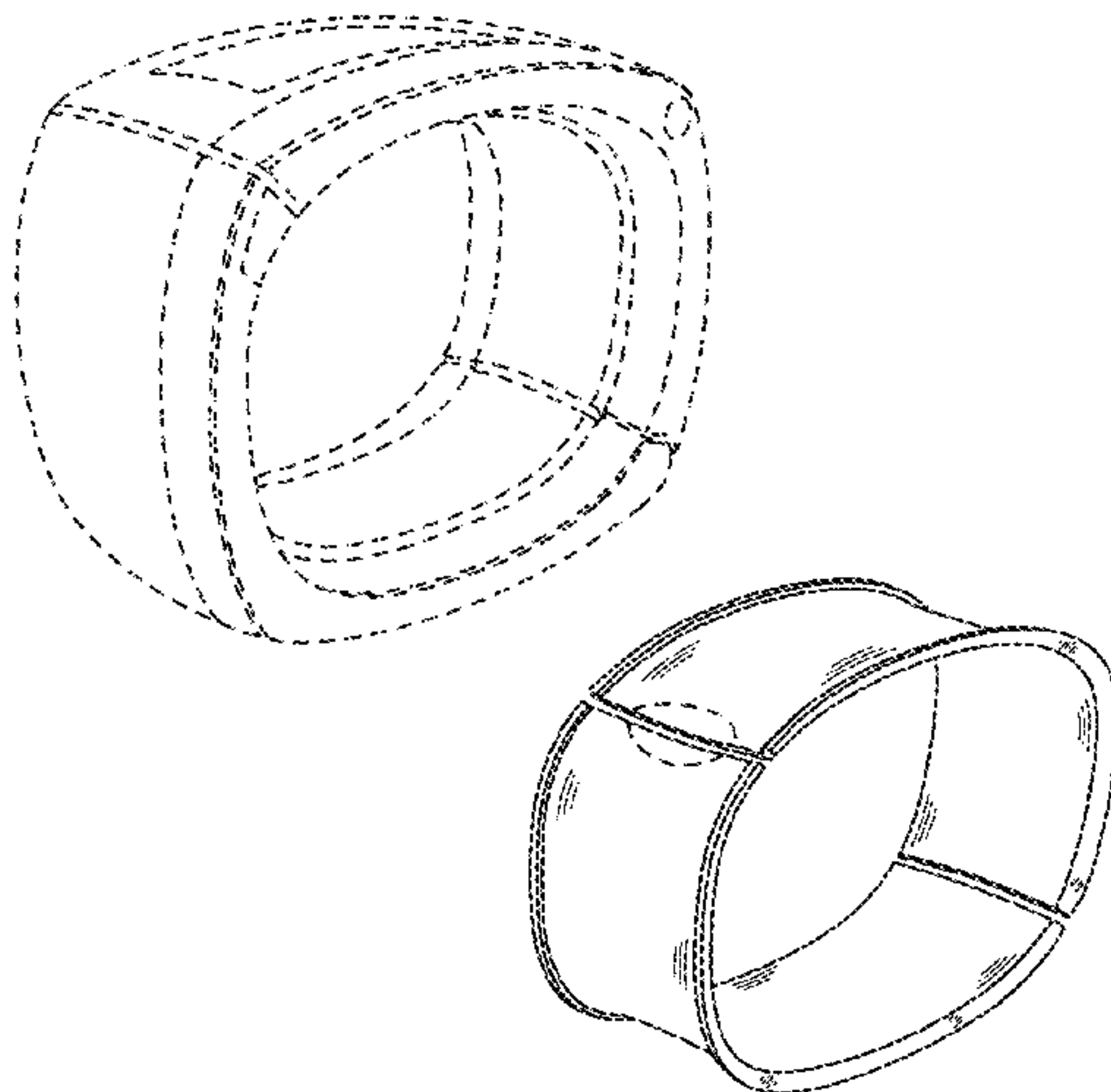
FIG. 4 is a rear perspective view thereof;

FIG. 5 is a top perspective view of FIG. 1; and,

FIG. 6 is a right side elevation thereof.

The broken lines shown are included for the purpose of illustrating portions of the insert for a wearable electronic display device that form no part of the claimed design. Line shading represents contours and not surface ornamentation.

**1 Claim, 7 Drawing Sheets**



(56)

References Cited

U.S. PATENT DOCUMENTS

D276,221 S \* 11/1984 Bulgari ..... D11/3  
 4,972,684 A \* 11/1990 Aitken ..... 63/8  
 D388,333 S \* 12/1997 Wunderman ..... D10/32  
 D405,381 S \* 2/1999 Perrin et al. .... D11/4  
 D413,531 S \* 9/1999 Philippe ..... D10/32  
 D414,435 S \* 9/1999 Nahon ..... D10/57  
 D442,508 S \* 5/2001 Torres ..... D11/4  
 D451,116 S \* 11/2001 Kono et al. .... D16/202  
 D454,808 S \* 3/2002 Hill ..... D11/4  
 D456,296 S \* 4/2002 Ambar ..... D11/4  
 D471,471 S \* 3/2003 Fu et al. .... D10/32  
 D543,192 S \* 5/2007 Jung ..... D14/138 R  
 D556,194 S \* 11/2007 Rambossek et al. .... D14/480.3  
 D558,198 S \* 12/2007 Blankenship et al. .... D14/480.5  
 D565,427 S \* 4/2008 Ellner et al. .... D10/31  
 D567,227 S \* 4/2008 Hada ..... D14/218  
 D576,501 S \* 9/2008 Tang ..... D10/32  
 D643,428 S \* 8/2011 Janky et al. .... D14/358  
 D661,275 S \* 6/2012 Roka ..... D14/138 R  
 D703,069 S \* 4/2014 Adams et al. .... D10/31  
 D710,220 S \* 8/2014 Daniel ..... D10/70  
 D713,281 S \* 9/2014 Chen et al. .... D11/3  
 D714,179 S \* 9/2014 Park et al. .... D11/3  
 D716,005 S \* 10/2014 McNay ..... D30/162  
 D721,701 S \* 1/2015 Al-Nasser ..... D14/344  
 D724,424 S \* 3/2015 Wilk ..... D8/396  
 D724,468 S \* 3/2015 Tan et al. .... D11/3  
 D726,572 S \* 4/2015 Walters et al. .... D11/3  
 D729,650 S \* 5/2015 Phillips et al. .... D10/70  
 D730,763 S \* 6/2015 Haapakoski ..... D10/98  
 2005/0189906 A1 \* 9/2005 Sun ..... 320/107

2005/0268653 A1 \* 12/2005 Kaplan ..... 63/15.7  
 2006/0203621 A1 \* 9/2006 Brodmann ..... 368/281  
 2006/0219742 A1 \* 10/2006 Chen ..... 224/148.4  
 2008/0236195 A1 \* 10/2008 Woebke ..... 63/1.14  
 2011/0209374 A1 \* 9/2011 Padgett et al. .... 40/633  
 2012/0036893 A1 \* 2/2012 Forero et al. .... 63/3  
 2012/0182677 A1 \* 7/2012 Seo ..... 361/679.01  
 2012/0201104 A1 \* 8/2012 Amenduni Gresele ..... 368/239  
 2012/0318019 A1 \* 12/2012 Cho ..... 63/3.2  
 2013/0104599 A1 \* 5/2013 Beldiman ..... 63/1.14  
 2014/0049946 A1 \* 2/2014 Schrimmer ..... 362/103  
 2014/0137600 A1 \* 5/2014 Rich et al. .... 63/11  
 2014/0298858 A1 \* 10/2014 Chang et al. .... 63/1.13  
 2014/0318180 A1 \* 10/2014 Cabe ..... 63/5.1  
 2015/0022957 A1 \* 1/2015 Hiroki et al. .... 361/679.01

OTHER PUBLICATIONS

Samsung Smartwatch, available Aug. 19, 2013, [online], [site visited Jun. 11, 2015]. Available from internet, <URL: <http://blog.laptopmag.com/samsung-smartwatch-specs-rumor>>.\*  
 Puls, available Oct. 10, 2014, [online], [site visited Jun. 11, 2015]. Available from internet, <URL: <http://www.dezeen.com/2014/10/20/will-i-am-zaha-hadid-puls-smartwatch-cuff/>>.\*  
 Carunda24 wrist band, available Oct. 8, 2013, [online], [site visited Jun. 11, 2015]. Available from internet, <URL: <http://www.dpaonthenet.net/article/62365/Crowdfunding-sought-for-novel-BP-monitoring-wrist-band.aspx>>.\*  
 Ippolita Gold Bangle Bracelet, available Jun. 16, 2015, [online], [site visited Jun. 16, 2015]. Available from internet, <URL: [https://www.1stdibs.com/jewelry/bracelets/bangles/ippolita-gold-bangle-bracelet/id-j\\_21180/](https://www.1stdibs.com/jewelry/bracelets/bangles/ippolita-gold-bangle-bracelet/id-j_21180/)>.\*

\* cited by examiner

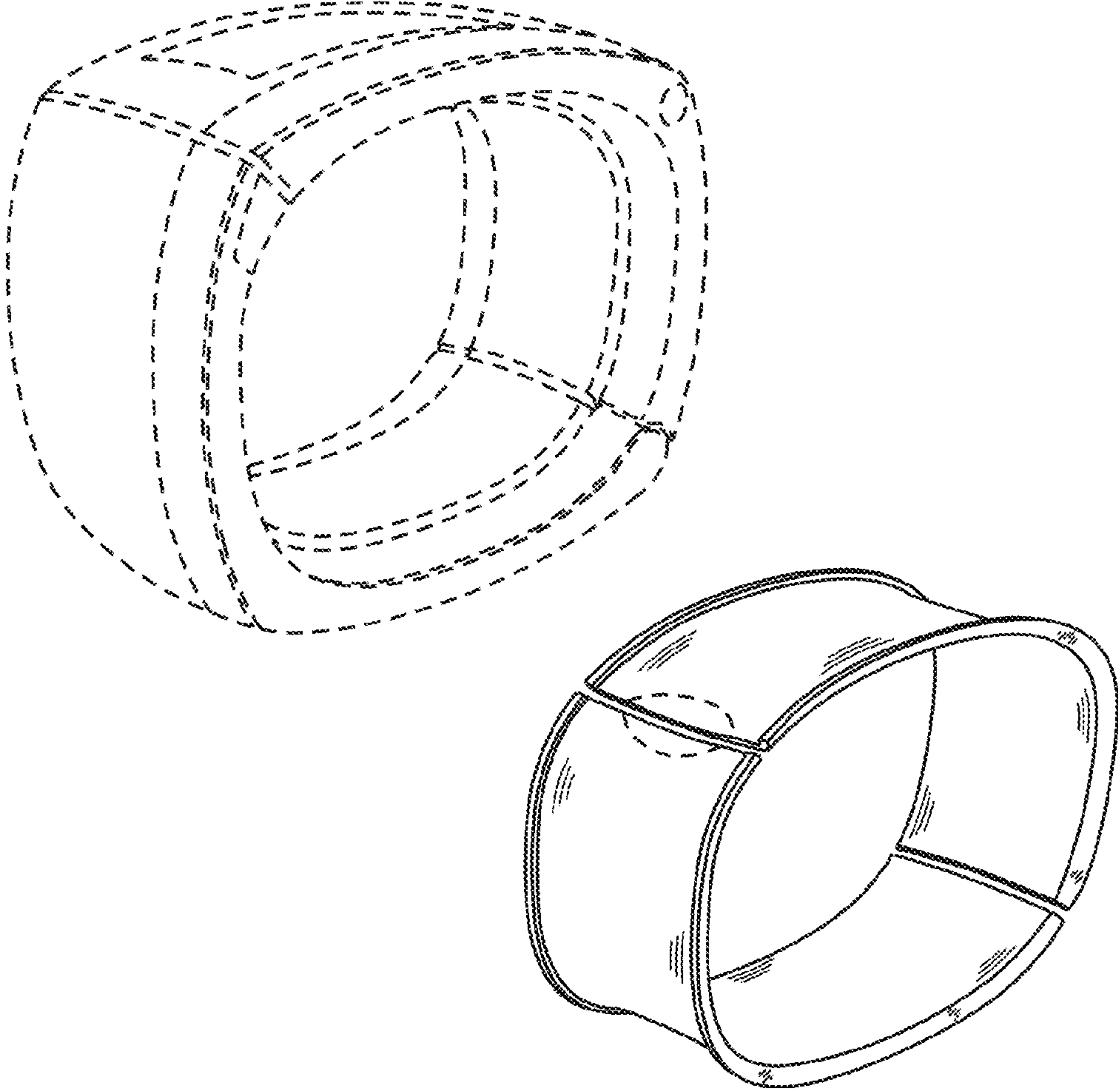


FIG. 1



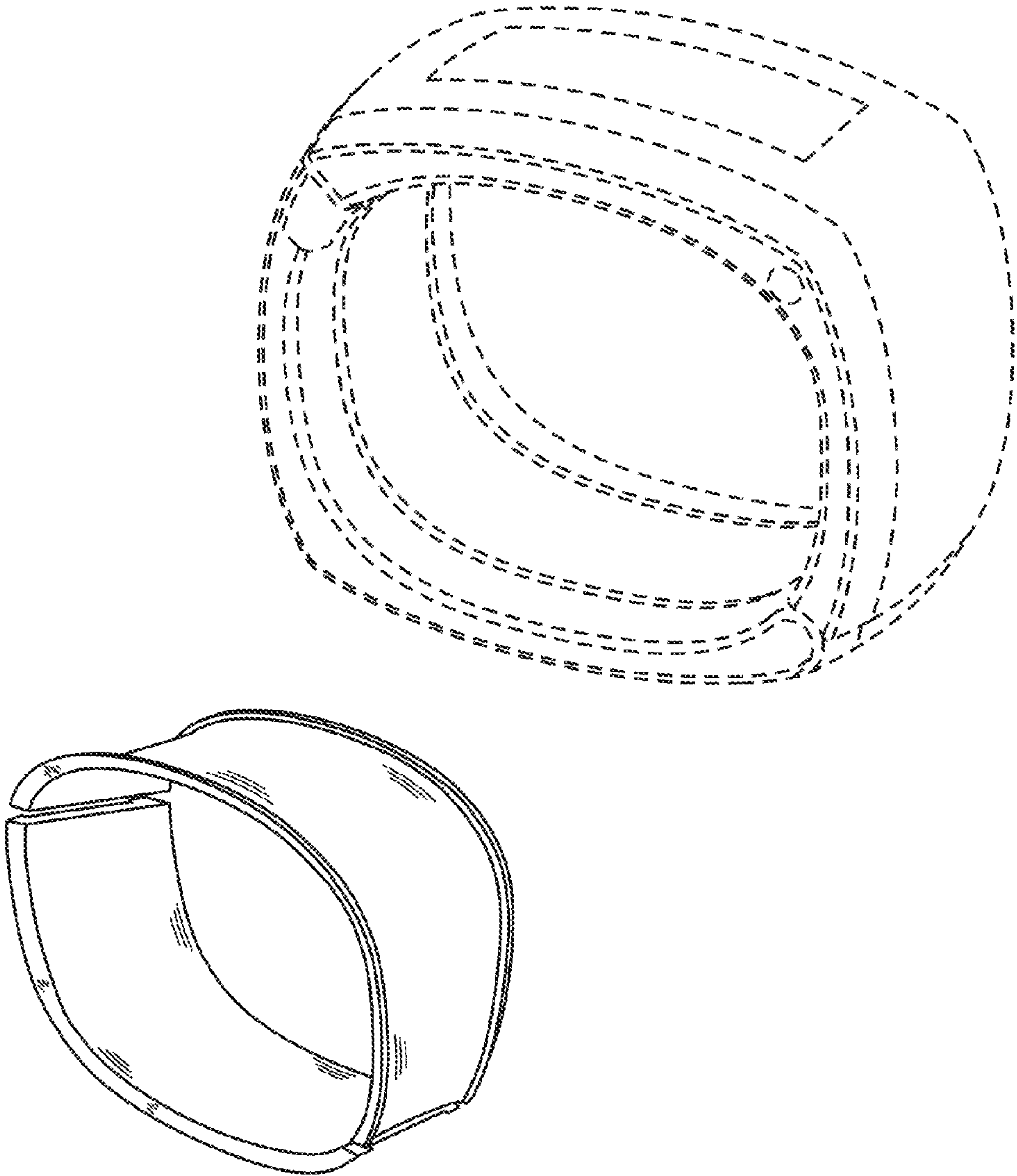


FIG. 2

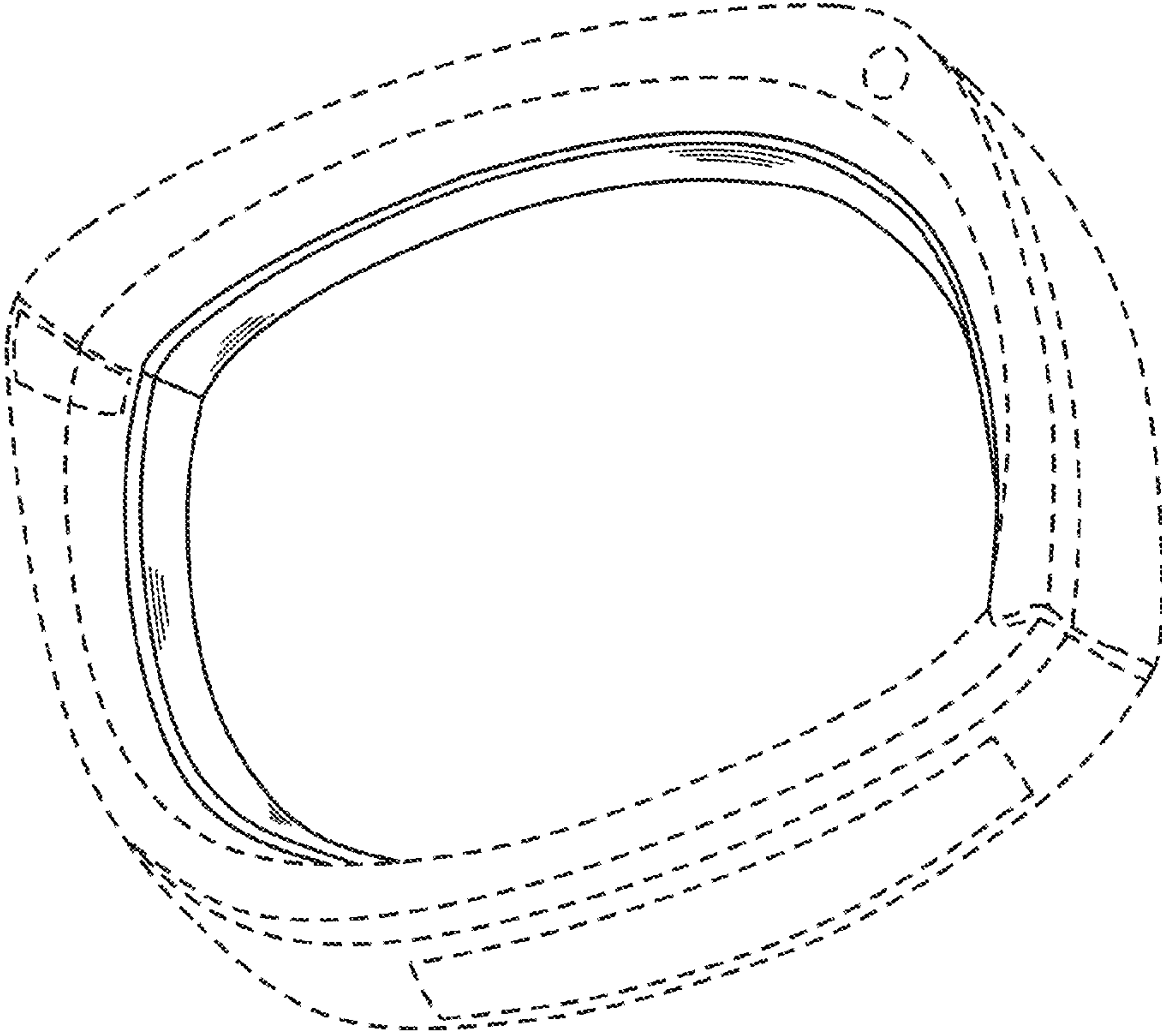


FIG. 3

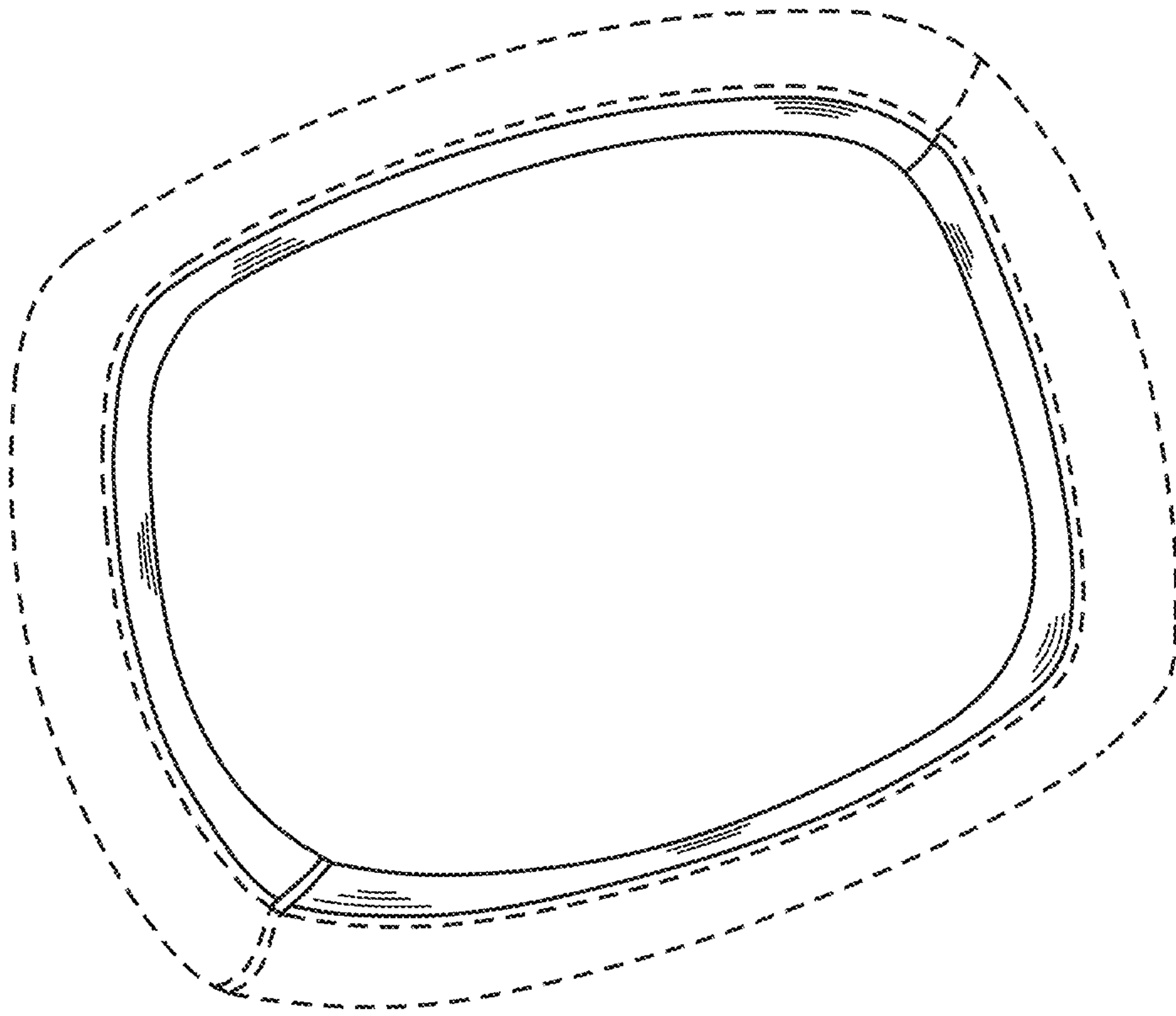


FIG. 4

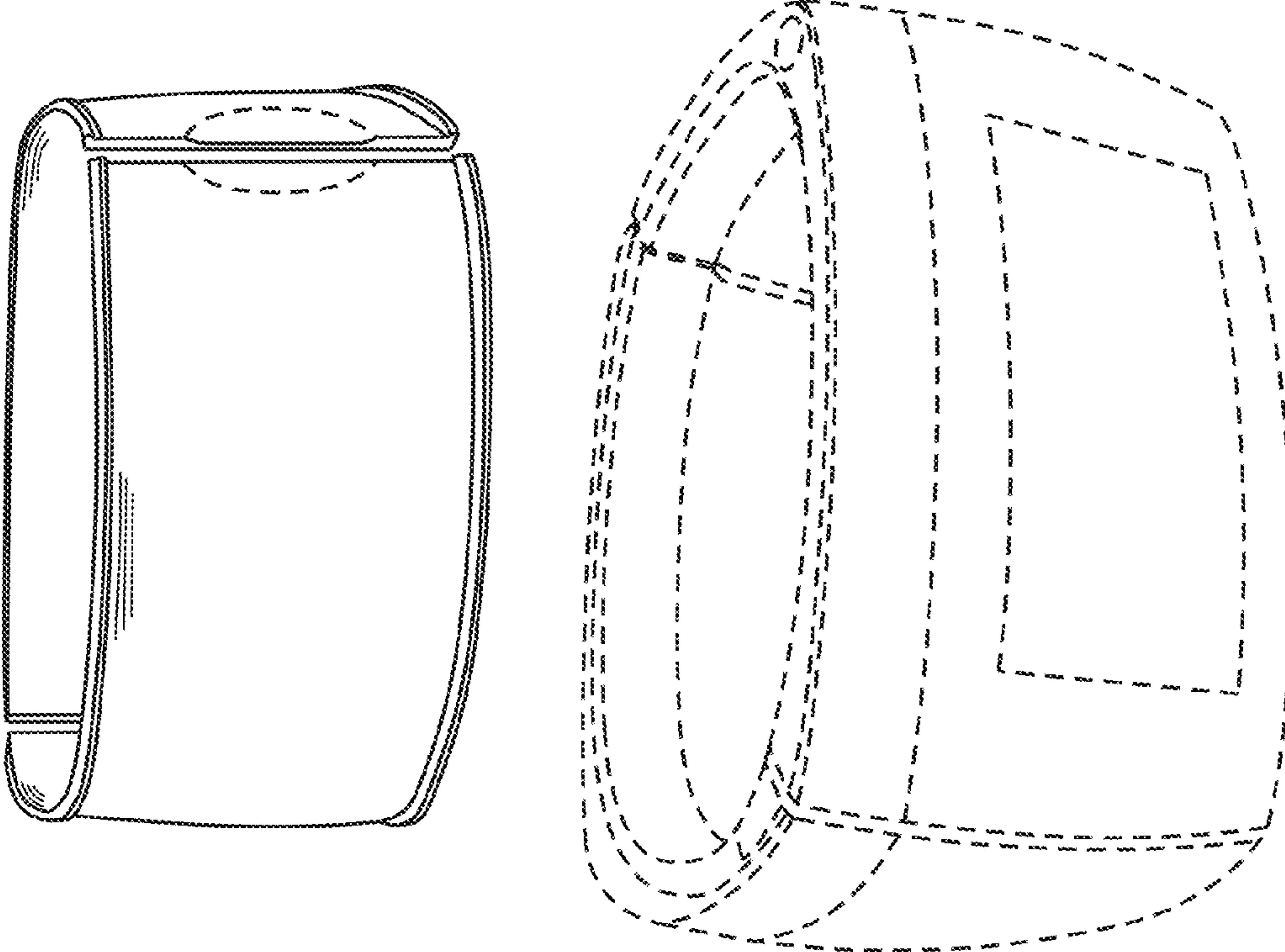


FIG. 5

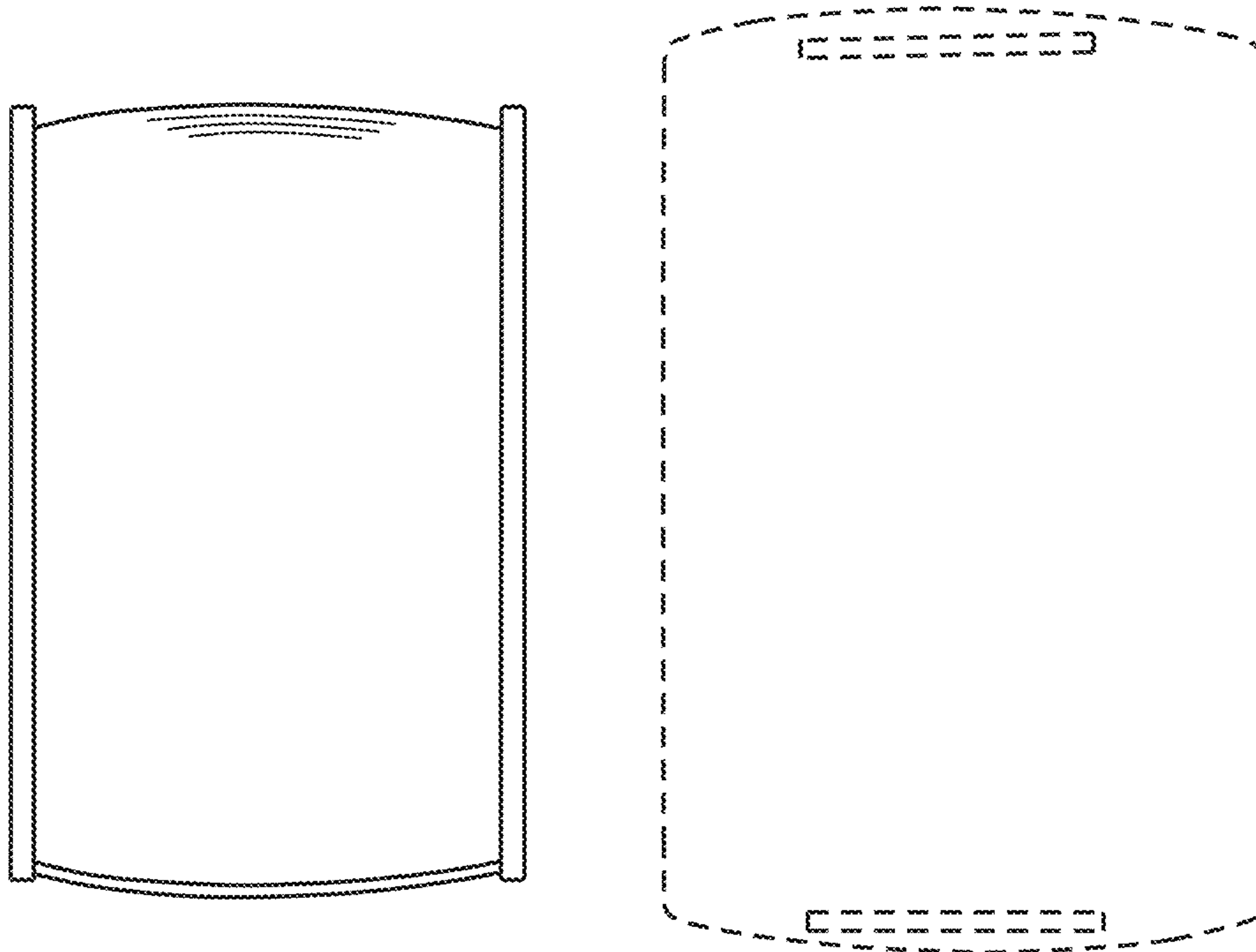


FIG. 6



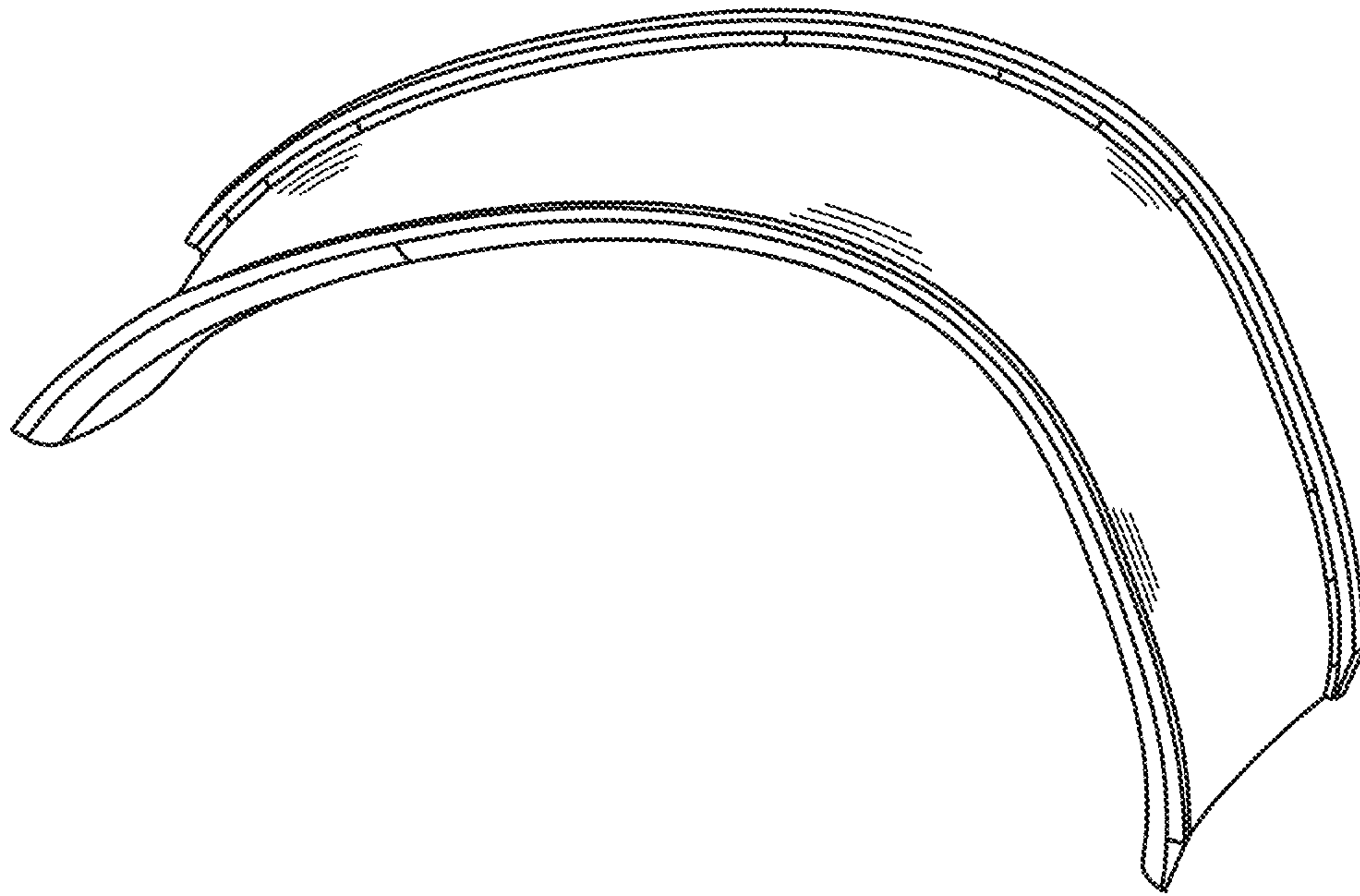


FIG. 7