



US00D767564S

(12) **United States Design Patent** (10) **Patent No.:** **US D767,564 S**
Li (45) **Date of Patent:** **** Sep. 27, 2016**

(54) **MOBILE COMPUTER**

(71) Applicant: **GETAC TECHNOLOGY CORPORATION**, Hsinchu County (TW)

(72) Inventor: **Chun-Hsing Li**, New Taipei (TW)

(73) Assignee: **Getac Technology Corporation**, Hsinchu County (TW)

(**) Term: **14 Years**

(21) Appl. No.: **29/520,920**

(22) Filed: **Mar. 18, 2015**

(51) **LOC (10) Cl.** **14-02**

(52) **U.S. Cl.**
USPC **D14/341**

(58) **Field of Classification Search**
USPC D14/341–347, 137, 138 R, 138 AA, D14/138 AB, 138 C, 138 G, 203.1, 203.3, D14/203.4, 203.7, 129, 130, 147, 218, 247, D14/248, 332, 388, 389, 315–318, 420, 426, D14/429, 489, 492, 496; D10/50, 65, 104.1; D21/324, 329, 330, 332; D18/6, 7
CPC .. G06F 1/1613; G06F 1/1647; G06F 1/1641; G06F 3/04883; G06F 3/0486; G06F 3/04847; G06F 3/04845; G06F 3/04817; G06F 3/0484; H04M 1/0279; H04M 1/0281; H04M 1/0283; A63H 33/3016
See application file for complete search history.

(56) **References Cited**

U.S. PATENT DOCUMENTS

D433,018 S * 10/2000 Tanimura D14/346
D451,505 S * 12/2001 Iseki D14/341
D501,835 S * 2/2005 Peng D14/129
D502,165 S * 2/2005 Ching D14/203.3
D509,827 S * 9/2005 Johnson D14/374
D533,552 S * 12/2006 Kuroiwa D14/346
D540,815 S * 4/2007 Zhang D14/496
D548,733 S * 8/2007 Johansson D14/341
D627,780 S * 11/2010 Kuroda D14/346

D655,290 S * 3/2012 Tompkin D14/346
D672,767 S * 12/2012 Yoneya D14/341
D676,043 S * 2/2013 Hirose D14/341
D687,027 S * 7/2013 Melanson D14/250
D701,203 S * 3/2014 Katori D14/341
D701,211 S * 3/2014 Ng D14/440
D703,665 S * 4/2014 Suzuki D14/341
D705,747 S * 5/2014 Boucquey D14/138 G
D710,848 S * 8/2014 Paulsen D14/341
D712,864 S * 9/2014 Hirota D14/138 G
D719,151 S * 12/2014 Hirayama D14/341
D728,029 S * 4/2015 Ray D14/400
D729,188 S * 5/2015 Nilsen D14/138 G
D741,952 S * 10/2015 Nokuo D14/401
D743,392 S * 11/2015 Ju D14/341
D746,278 S * 12/2015 Chen D14/341

* cited by examiner

Primary Examiner — Barbara Fox
Assistant Examiner — Dana K Weiland

(57) **CLAIM**

The ornamental design for a mobile computer, as shown and described.

DESCRIPTION

FIG. 1 is a top front right perspective view showing a first embodiment of my new design;
FIG. 2 is a bottom rear left perspective view showing a first embodiment of my new design;
FIG. 3 is a front view of the first embodiment of my new design;
FIG. 4 is a rear view of the first embodiment of my new design;
FIG. 5 is a left side view of the first embodiment of my new design;
FIG. 6 is a right side view of the first embodiment of my new design;
FIG. 7 is a top view of the first embodiment of my new design;
FIG. 8 is a bottom view of the first embodiment of my new design;
FIG. 9 is a top front right perspective view showing a second embodiment of my new design;

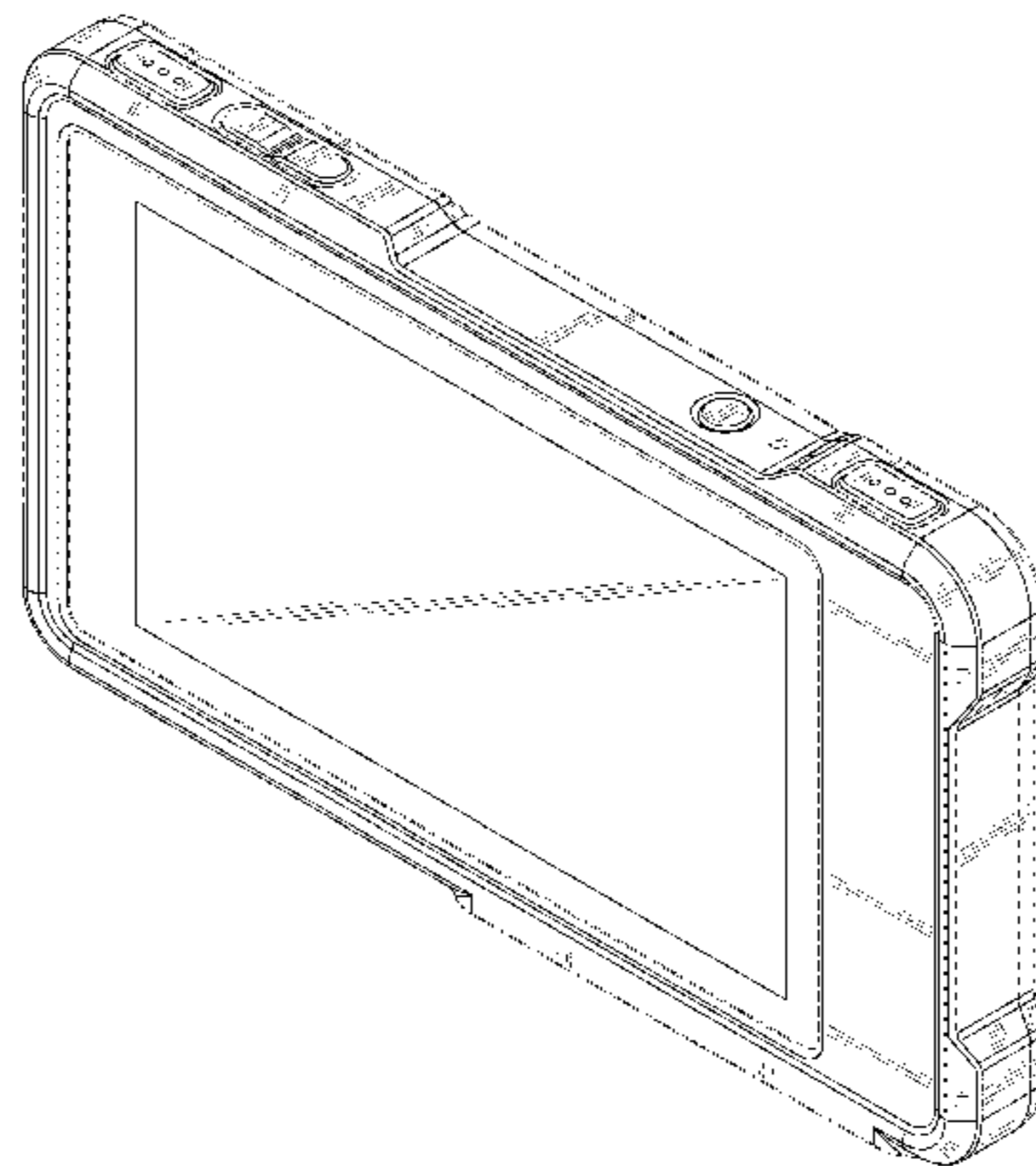


FIG. 10 is a bottom rear left perspective view showing a second embodiment of my new design;

FIG. 11 is a front view of the second embodiment of my new design;

FIG. 12 is a rear view of the second embodiment of my new design;

FIG. 13 is a left side view of the second embodiment of my new design;

FIG. 14 is a right side view of the second embodiment of my new design;

FIG. 15 is a top view of the second embodiment of my new design;

FIG. 16 is a bottom view of the second embodiment of my new design;

FIG. 17 is a top front right perspective view showing a third embodiment of my new design;

FIG. 18 is a bottom rear left perspective view showing a third embodiment of my new design;

FIG. 19 is a front view of the third embodiment of my new design;

FIG. 20 is a rear view of the third embodiment of my new design;

FIG. 21 is a left side view of the third embodiment of my new design;

FIG. 22 is a right side view of the third embodiment of my new design;

FIG. 23 is a top view of the third embodiment of my new design;

FIG. 24 is a bottom view of the third embodiment of my new design;

FIG. 25 is a top front right perspective view showing a fourth embodiment of my new design;

FIG. 26 is a bottom rear left perspective view showing a fourth embodiment of my new design;

FIG. 27 is a front view of the fourth embodiment of my new design;

FIG. 28 is a rear view of the fourth embodiment of my new design;

FIG. 29 is a left side view of the fourth embodiment of my new design;

FIG. 30 is a right side view of the fourth embodiment of my new design;

FIG. 31 is a top view of the fourth embodiment of my new design; and,

FIG. 32 is a bottom view of the fourth embodiment of my new design.

1 Claim, 24 Drawing Sheets

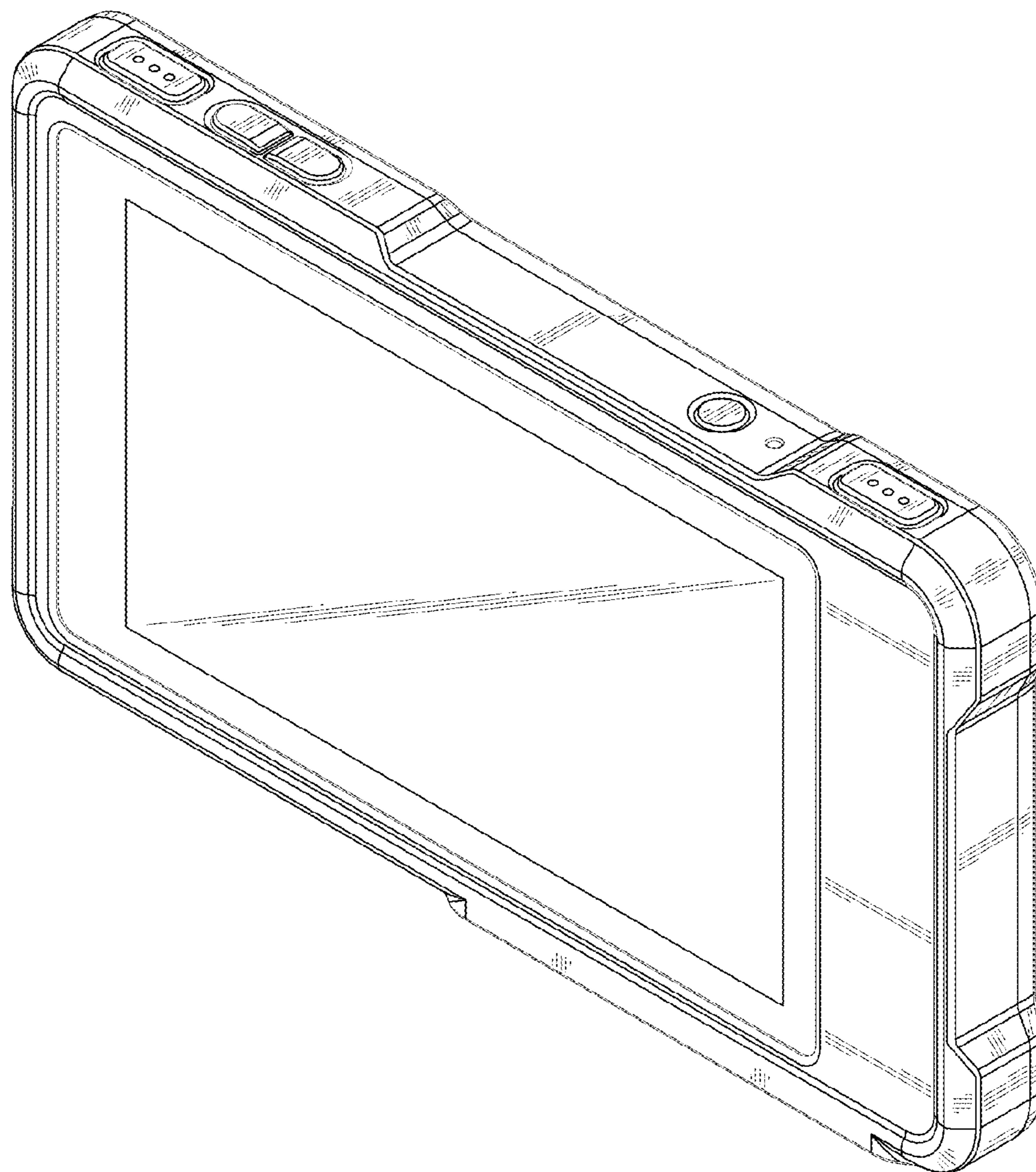


FIG.1

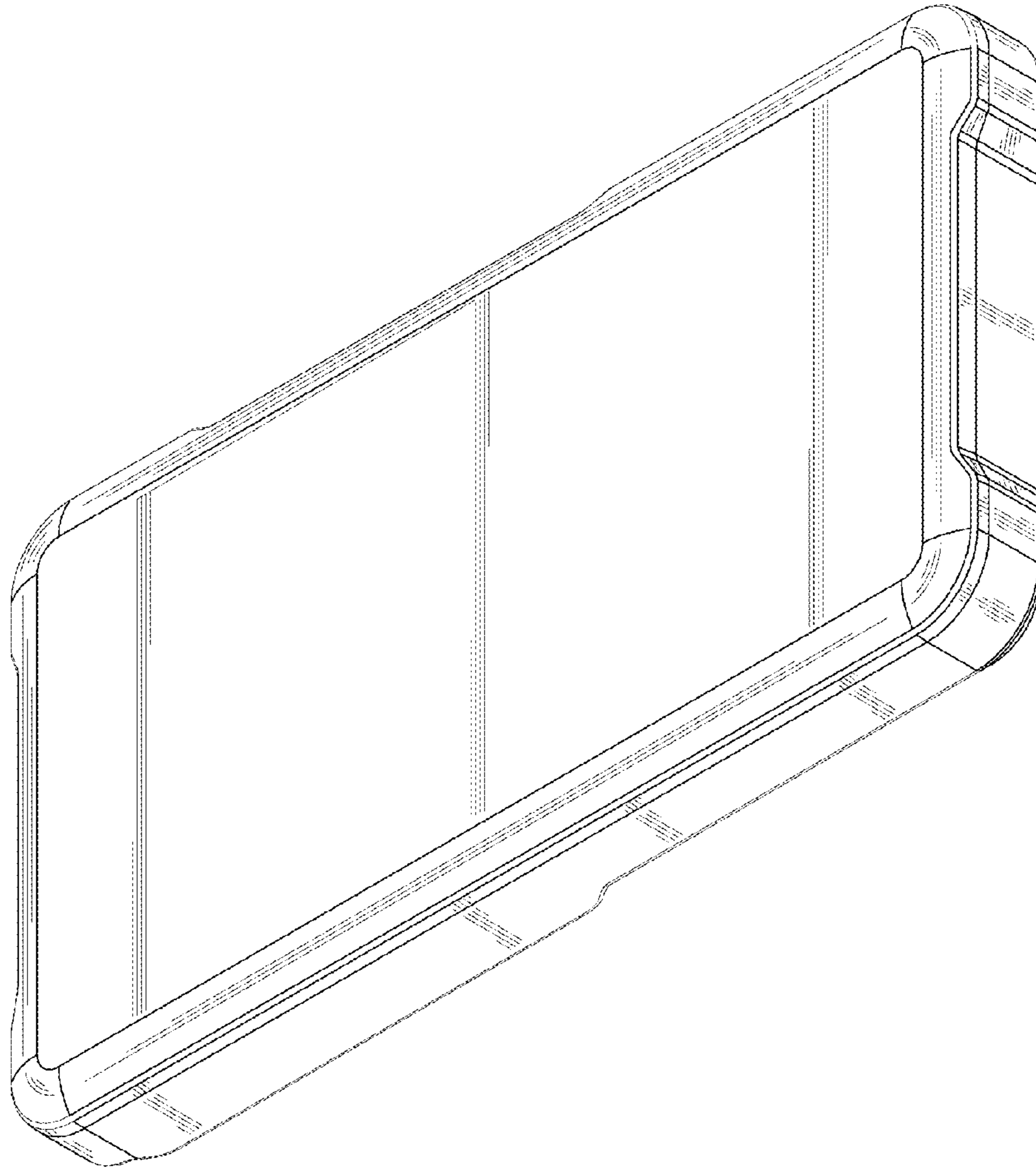


FIG.2

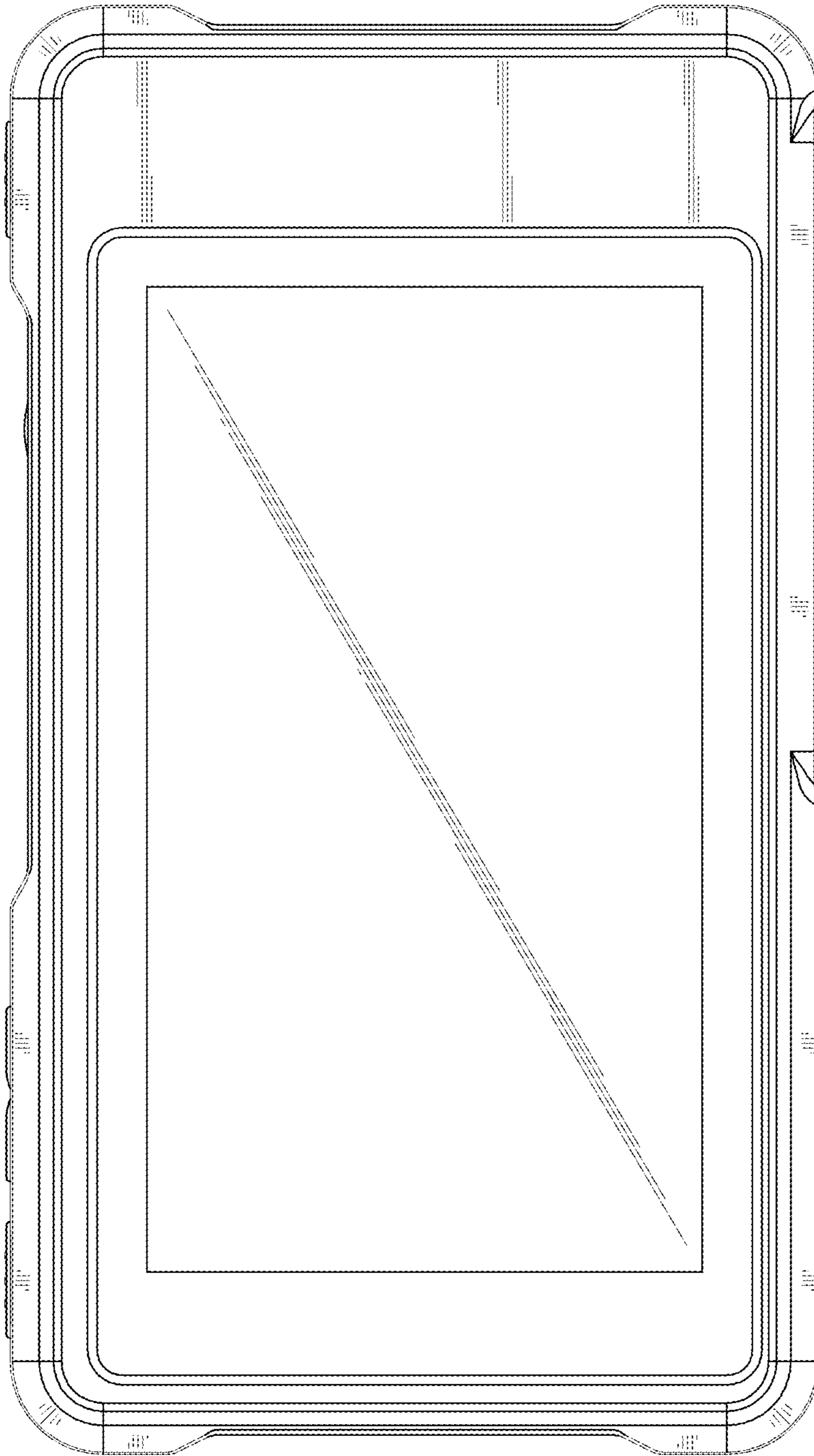


FIG.3

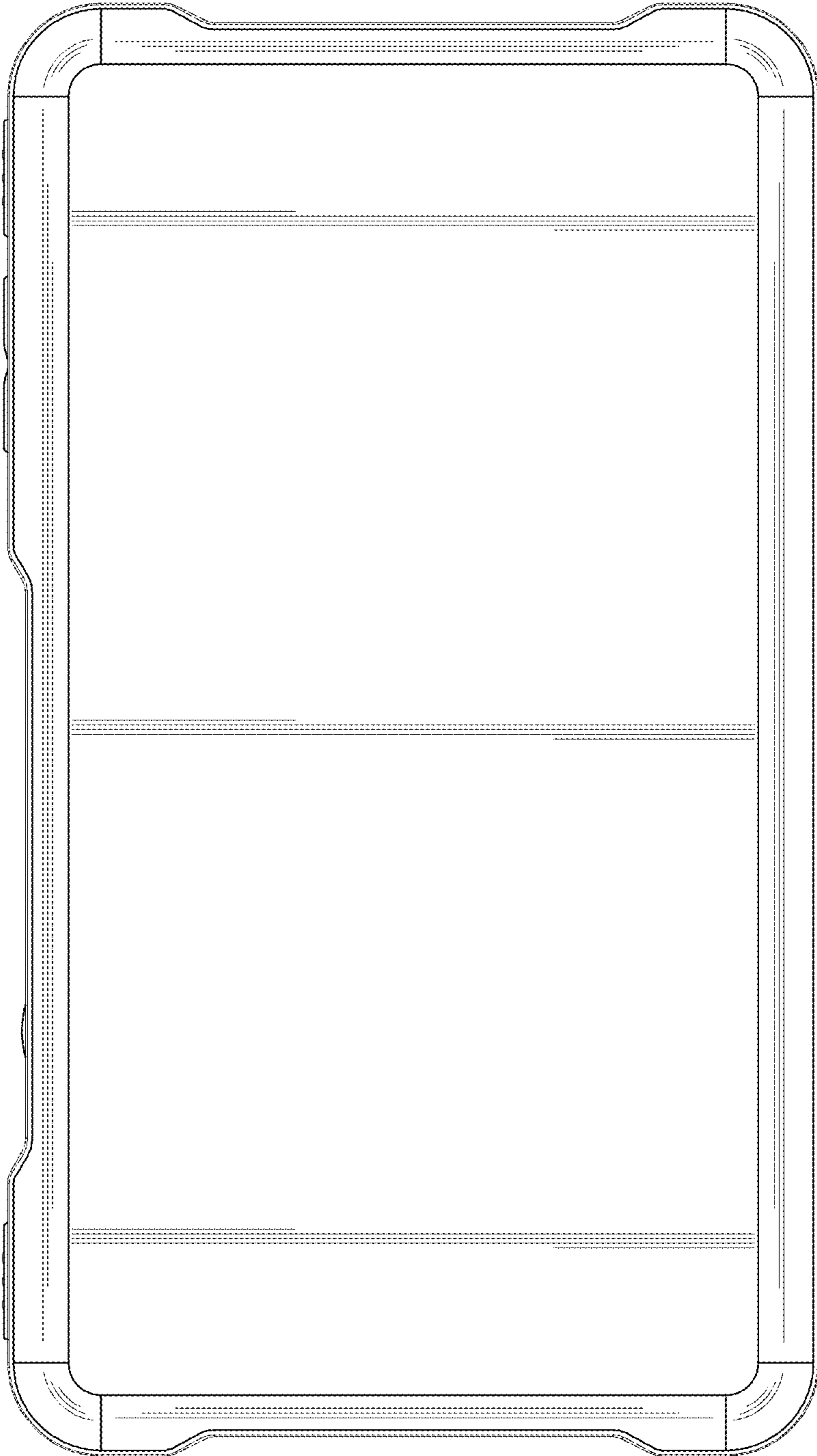


FIG.4

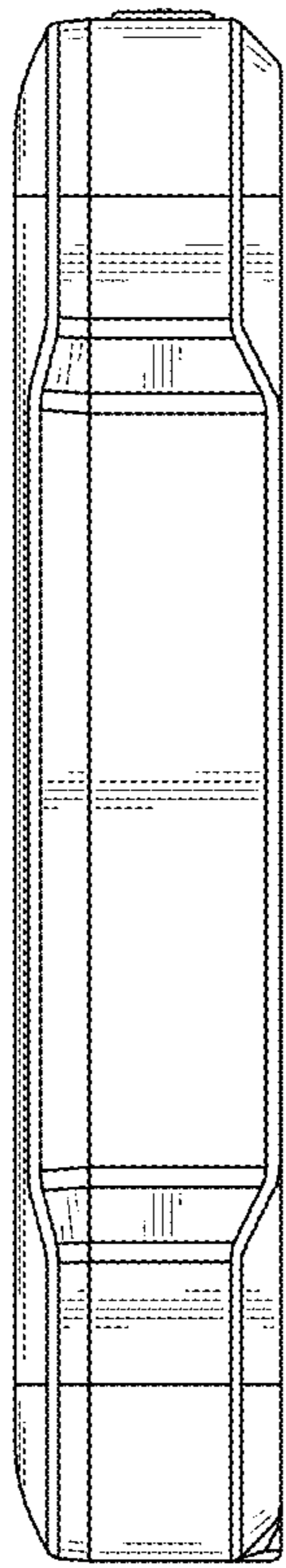


FIG. 5

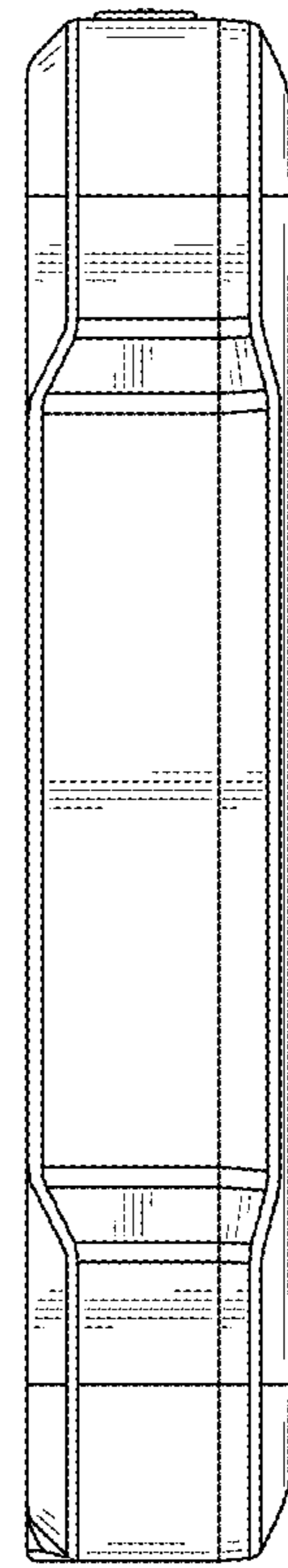


FIG. 6

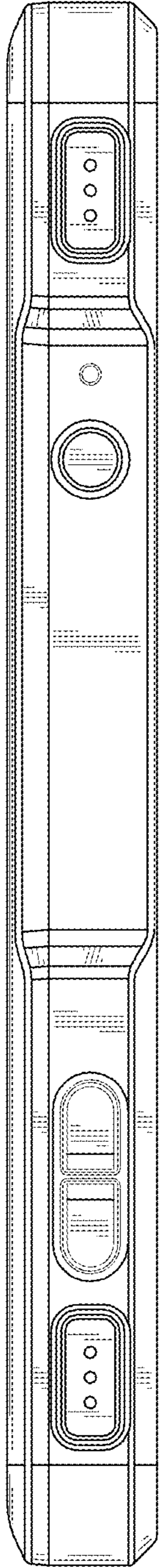


FIG. 7

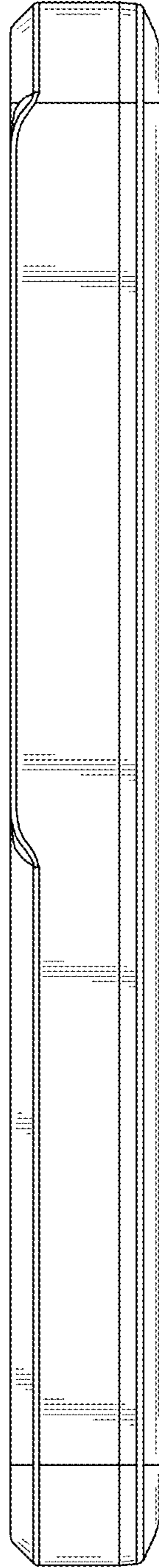


FIG. 8

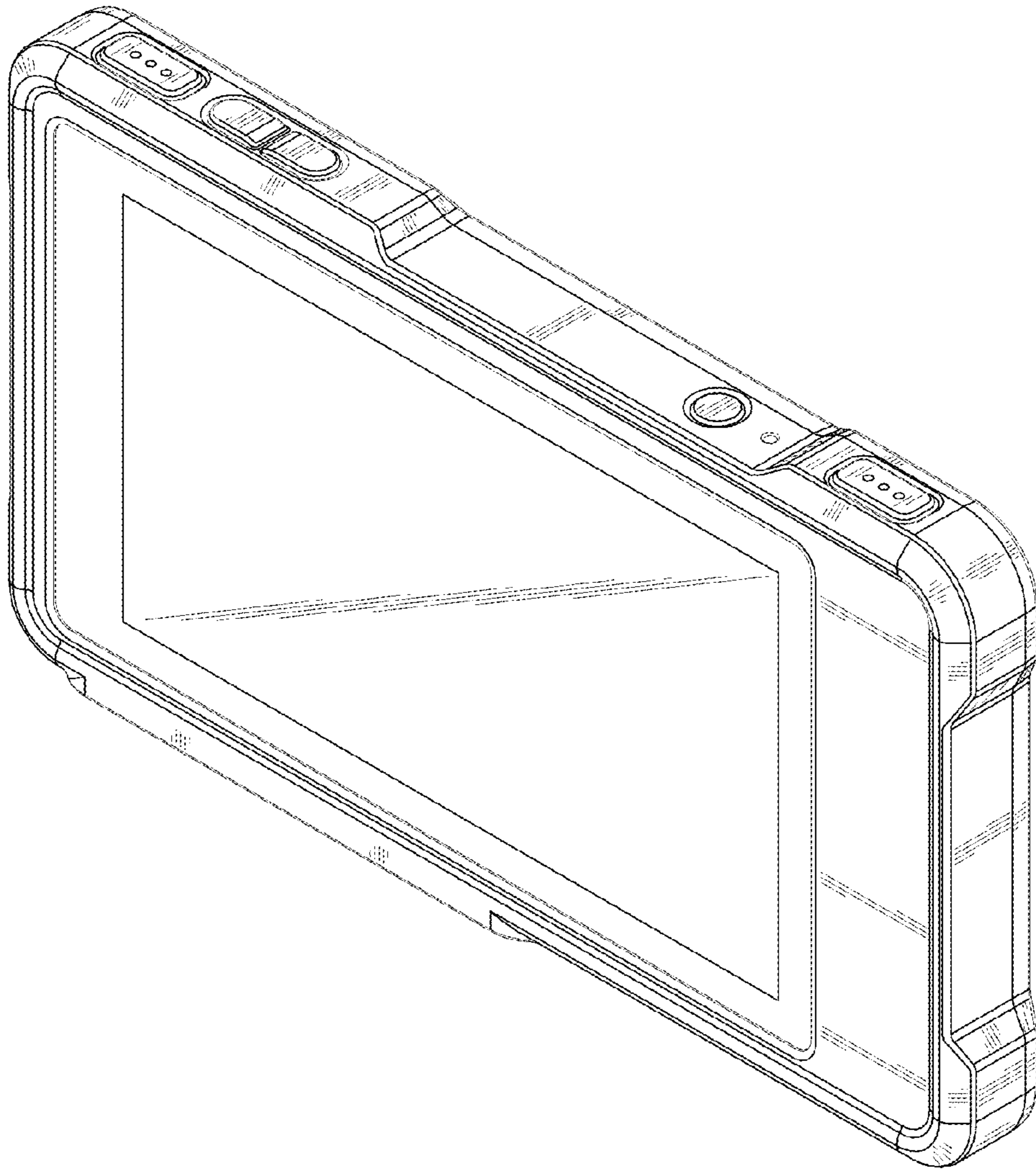


FIG.9

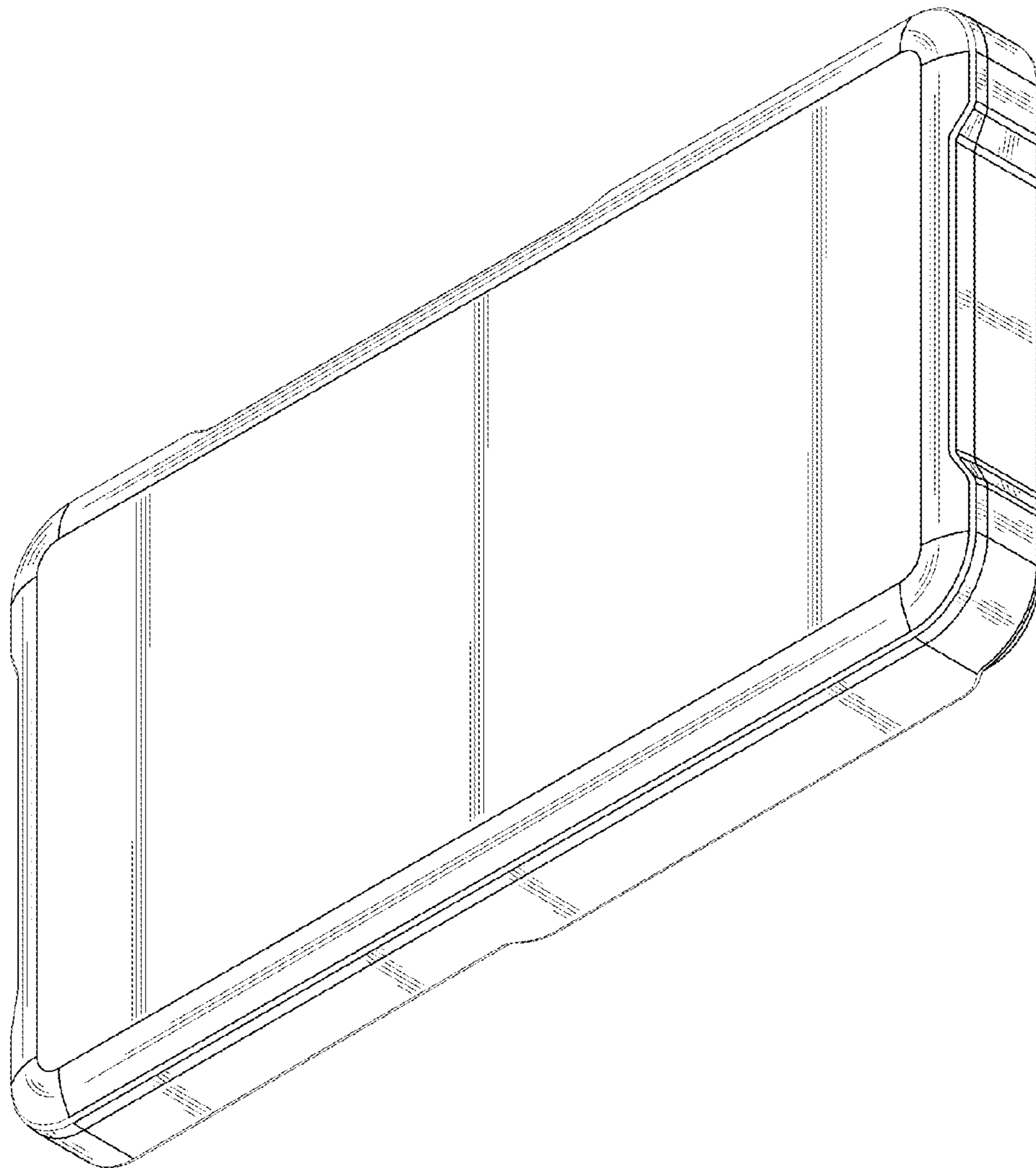


FIG.10

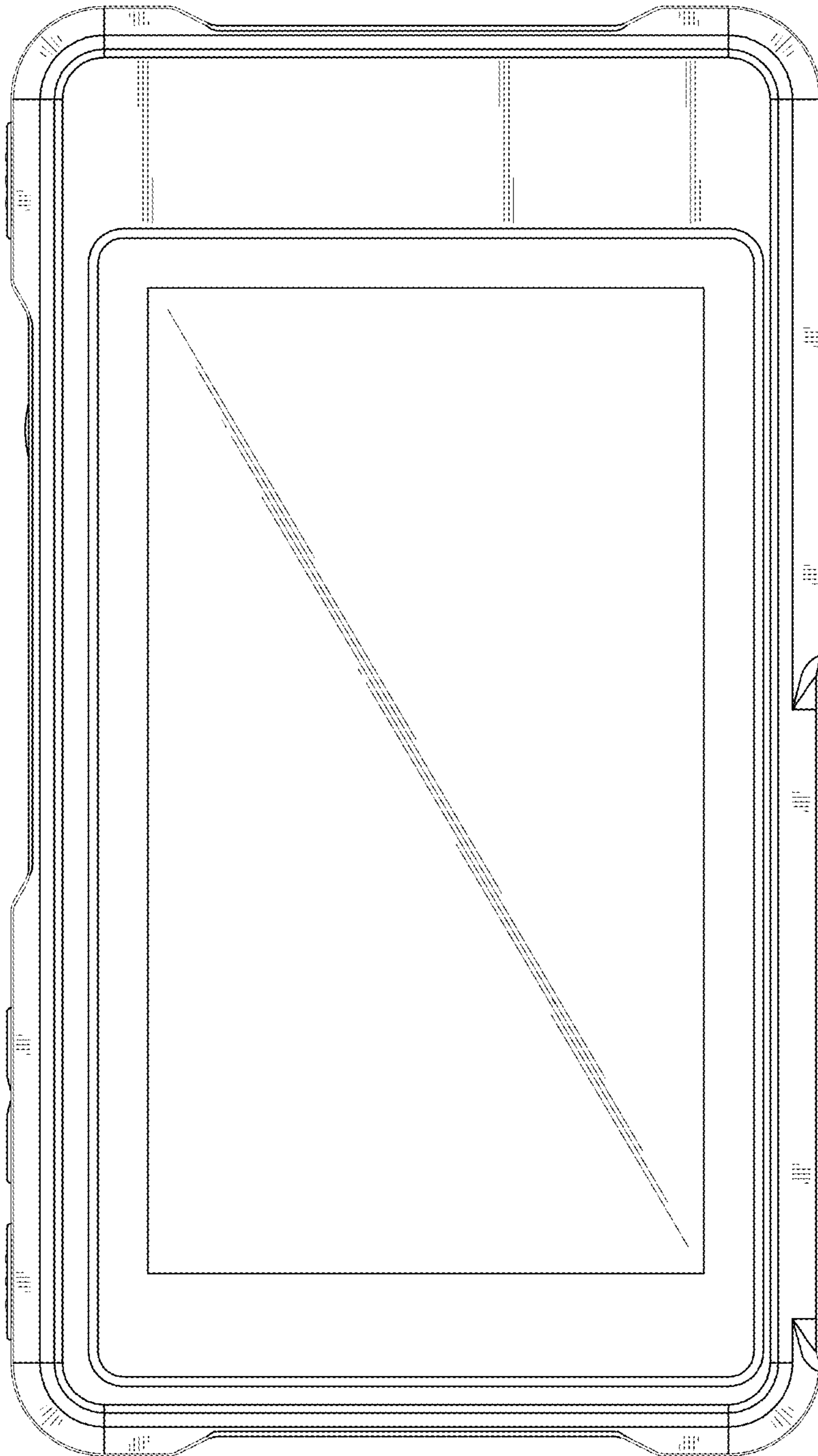


FIG.11

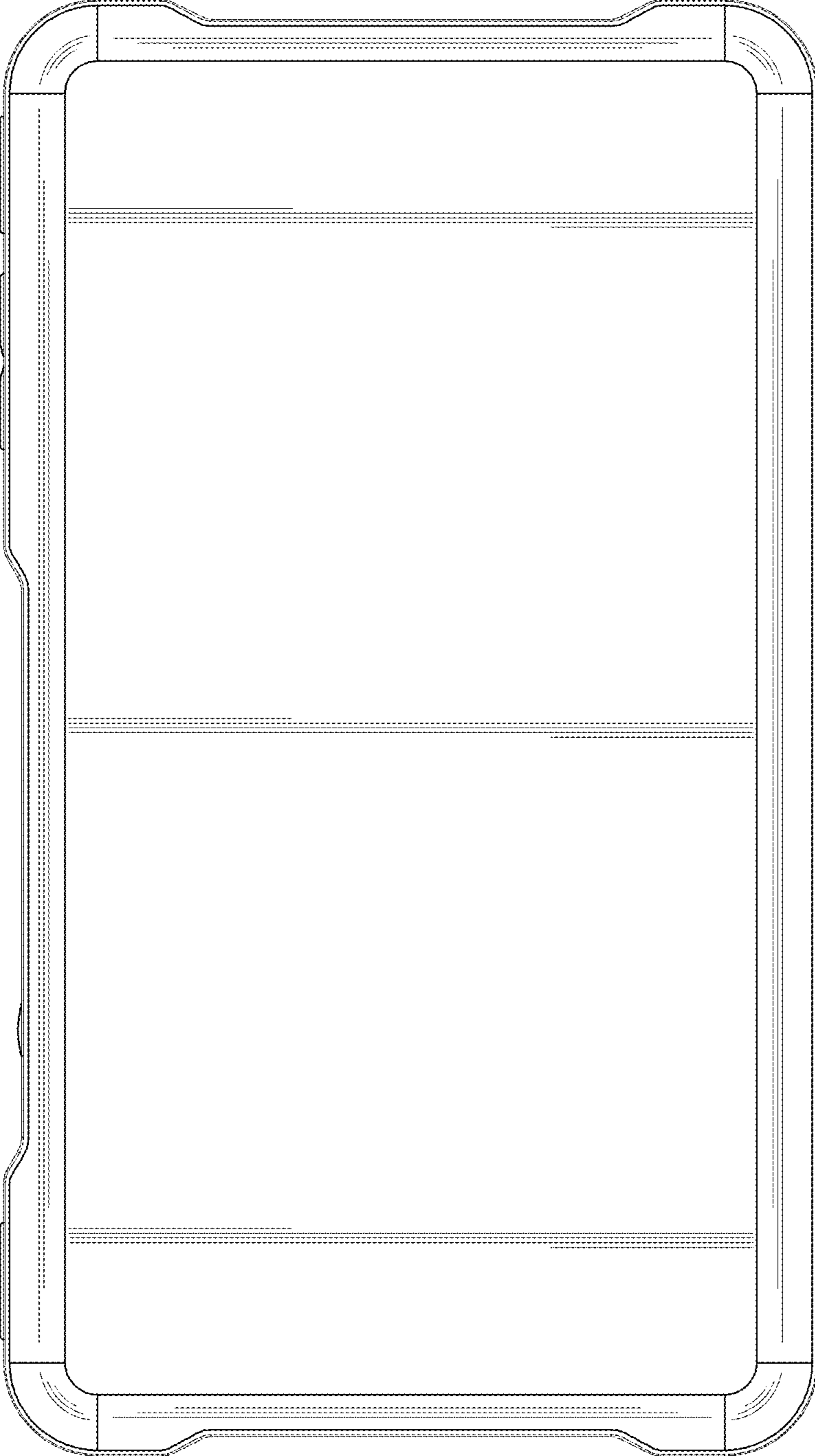


FIG.12

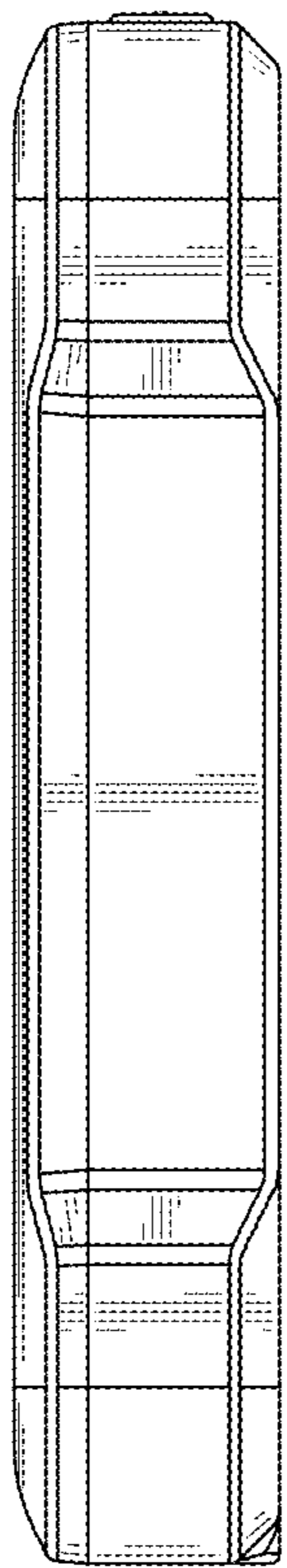


FIG. 13

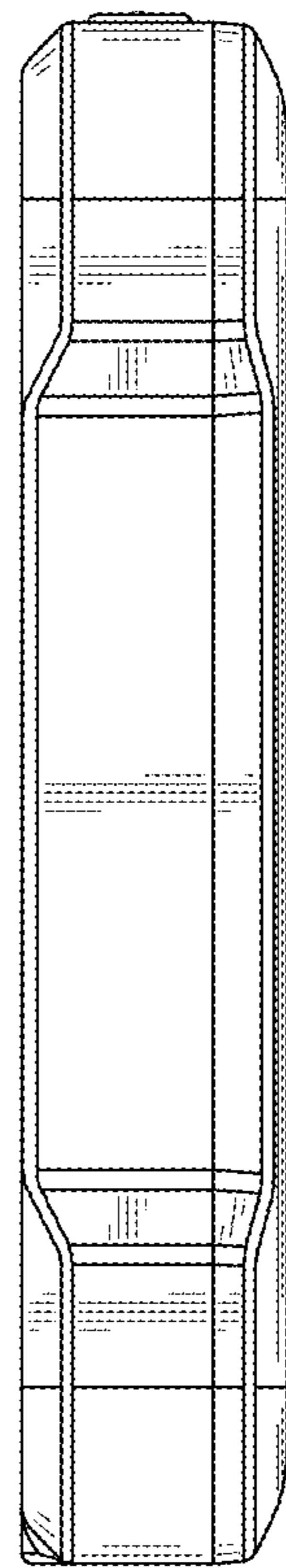


FIG. 14

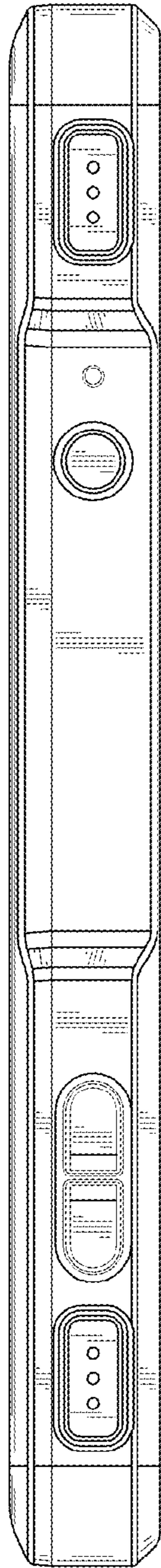


FIG. 15

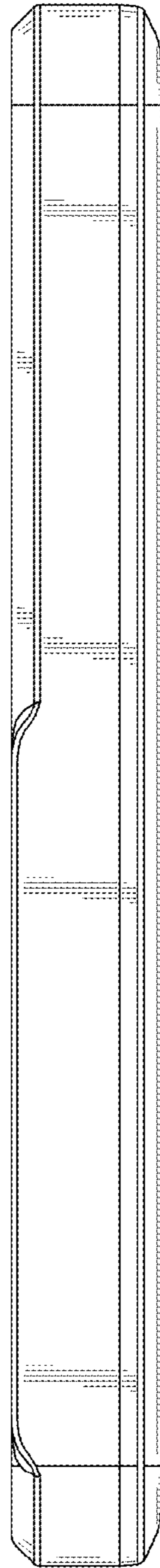


FIG. 16

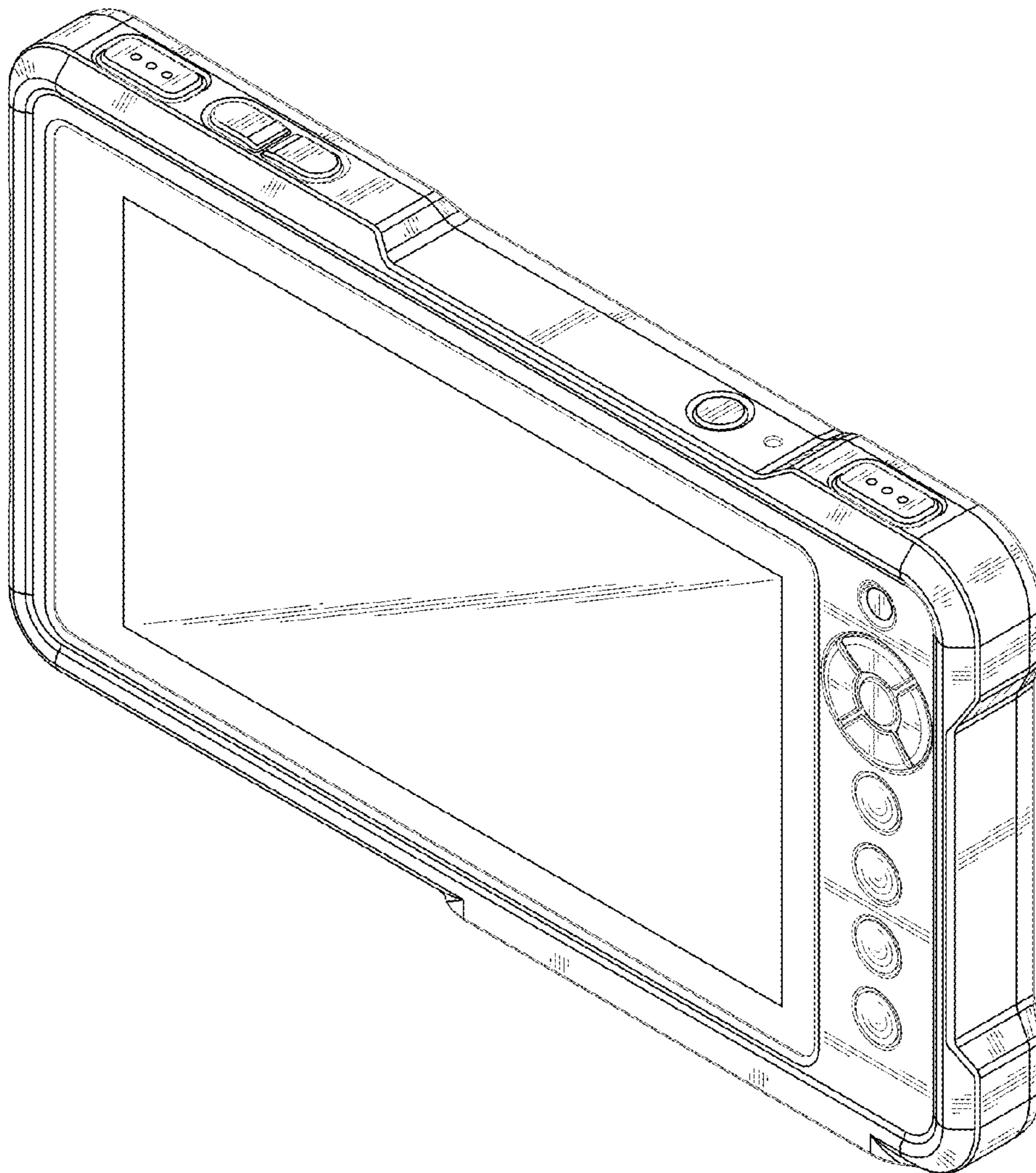


FIG.17

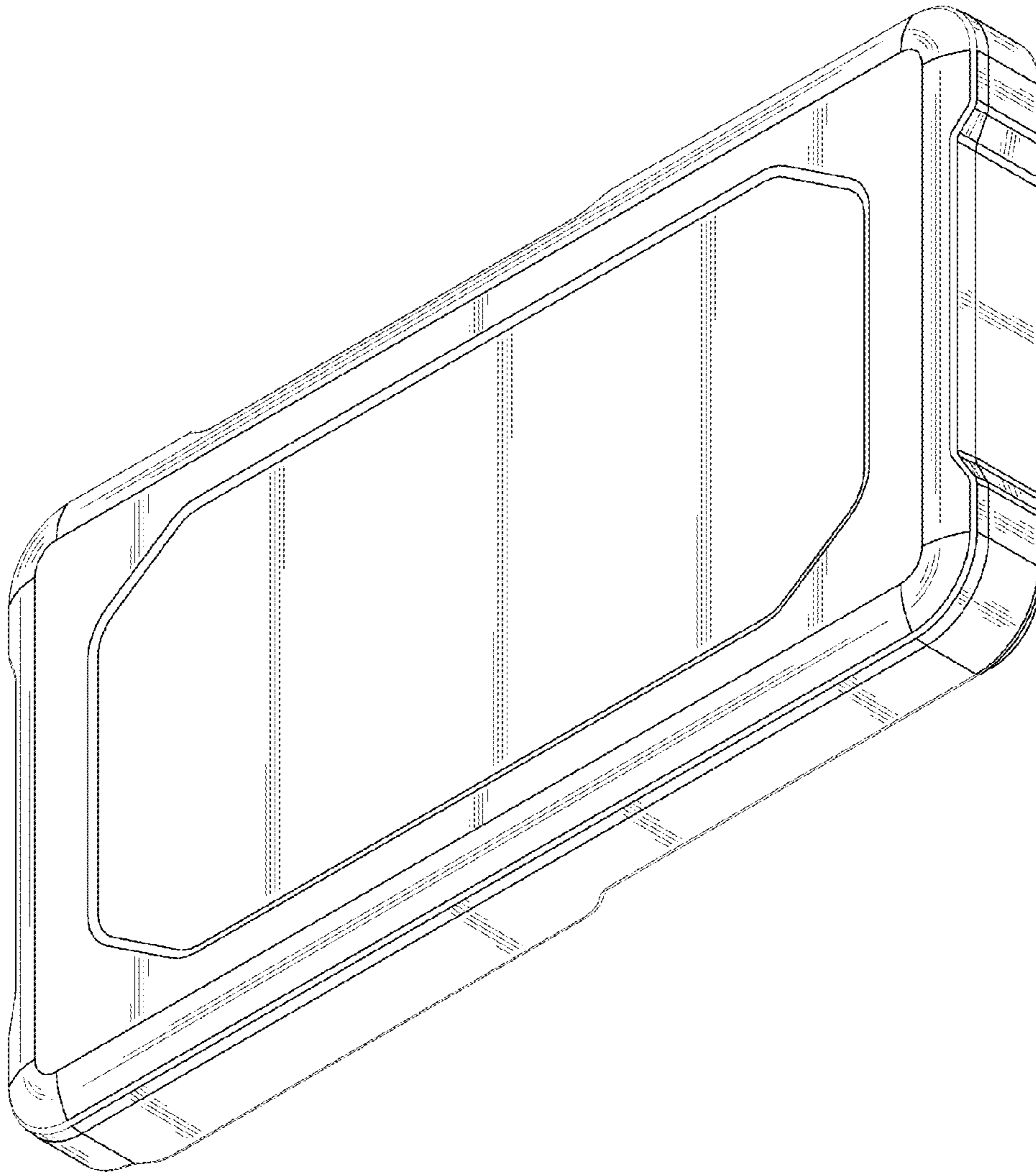


FIG.18

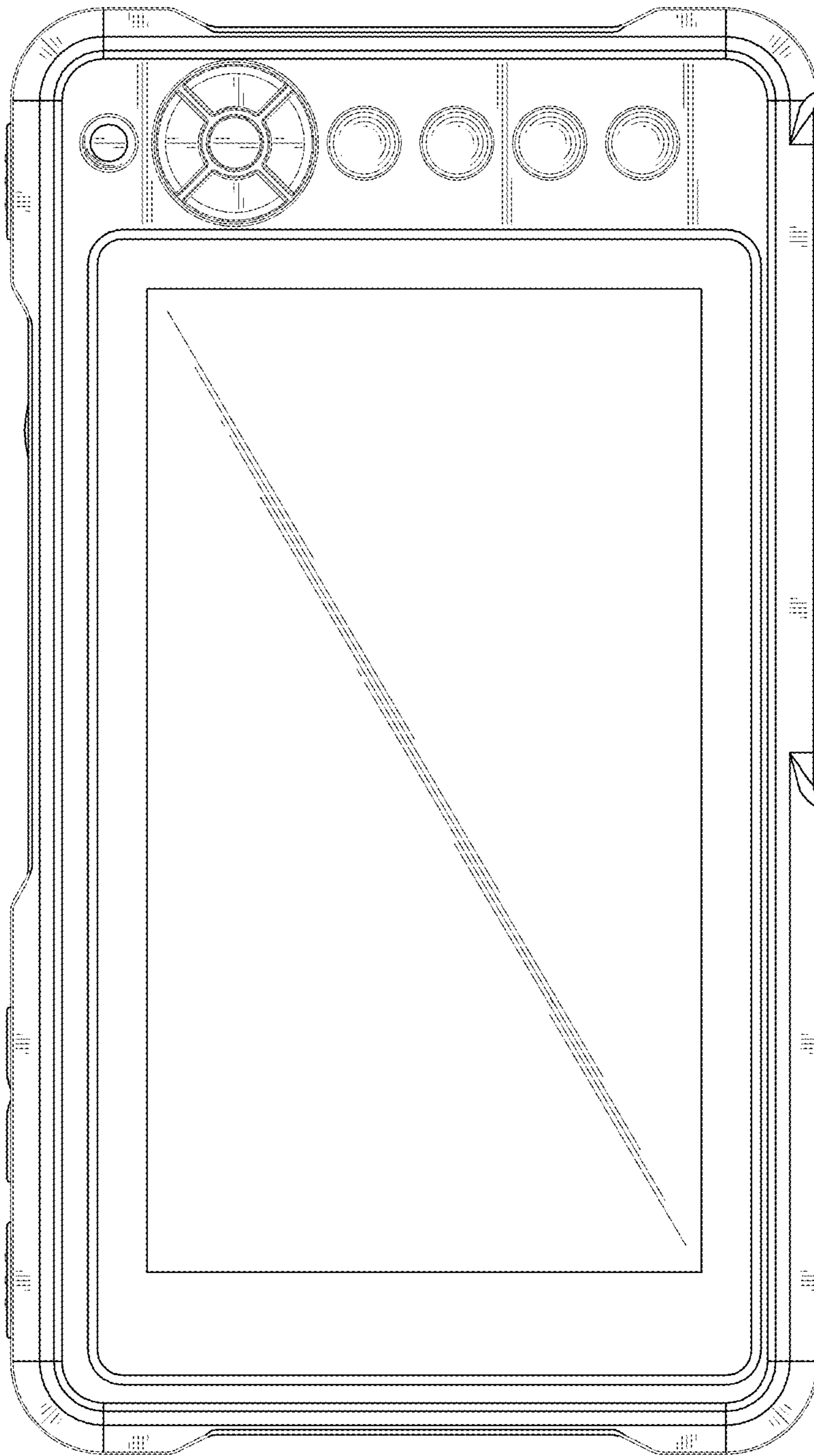


FIG. 19

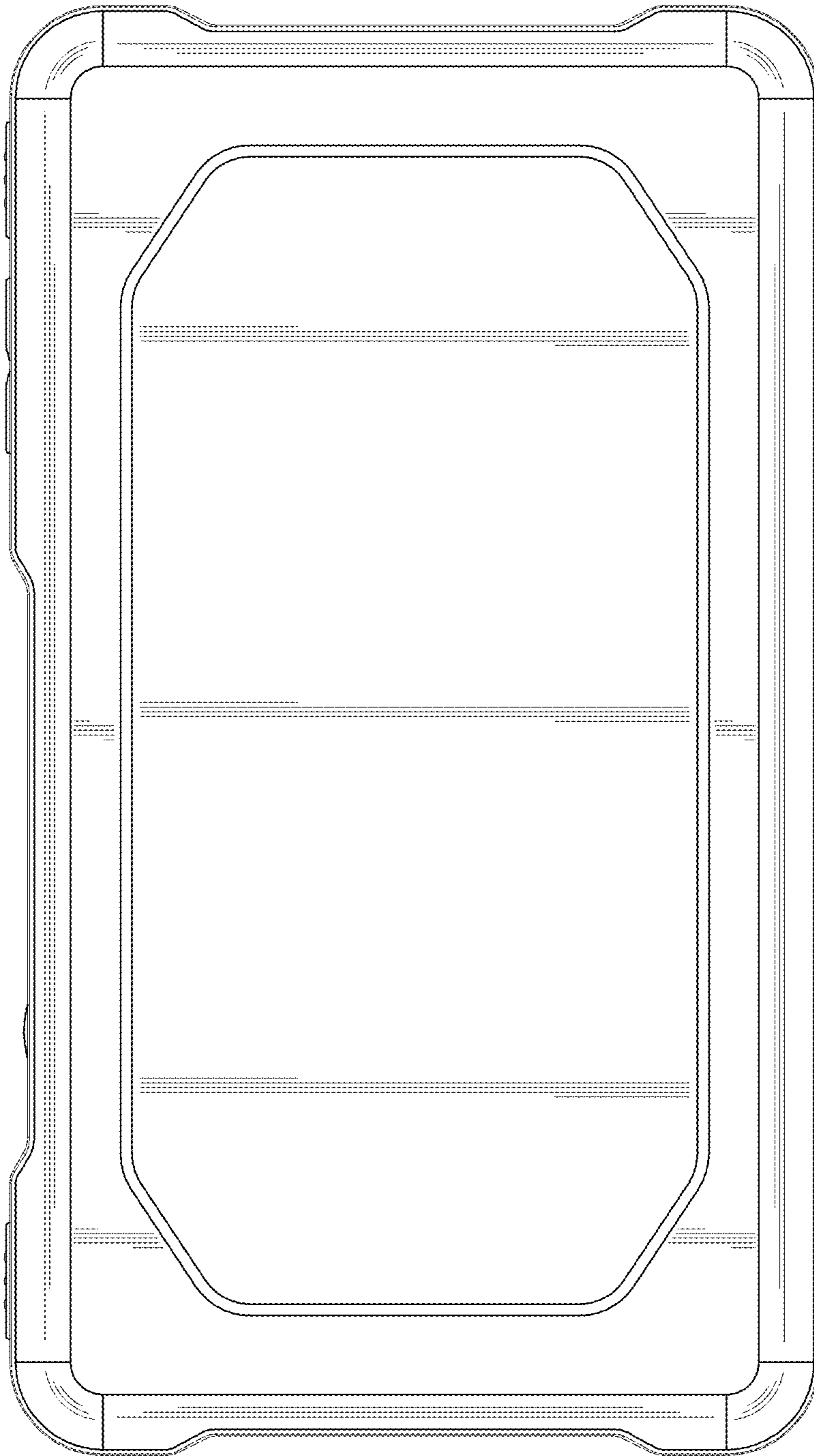


FIG. 20

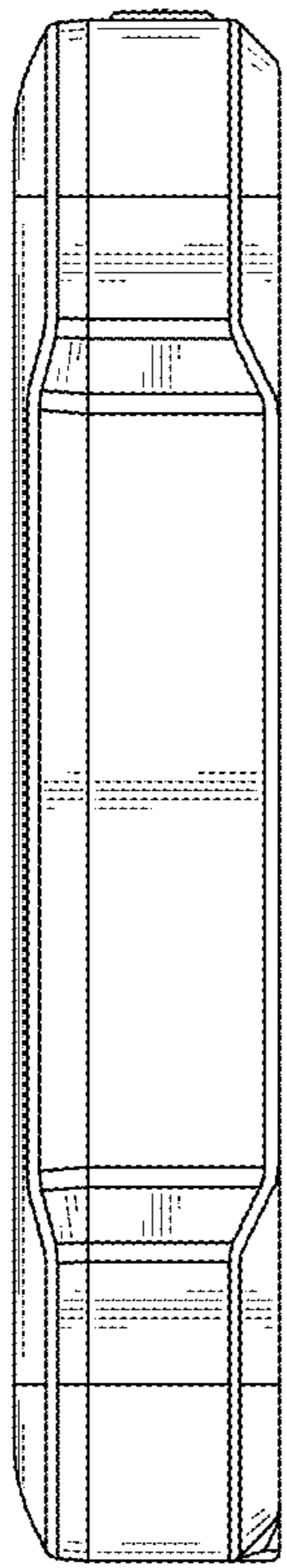


FIG. 21

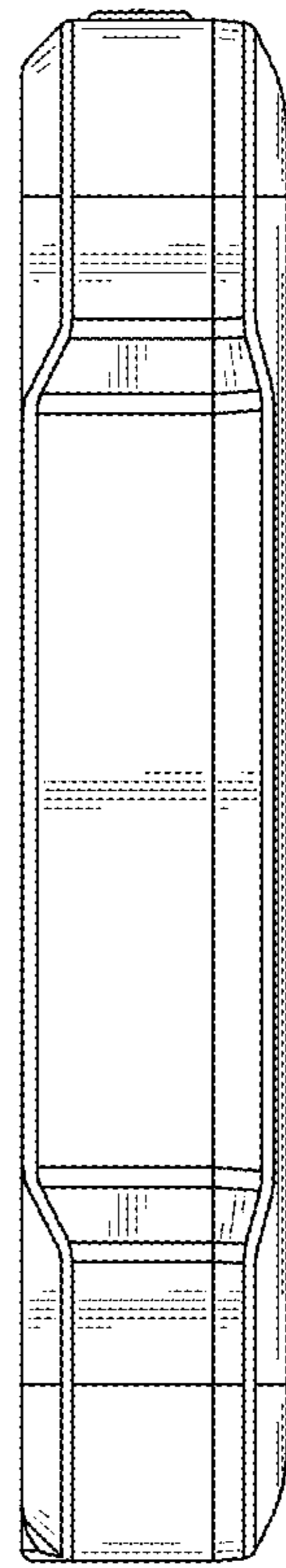


FIG. 22

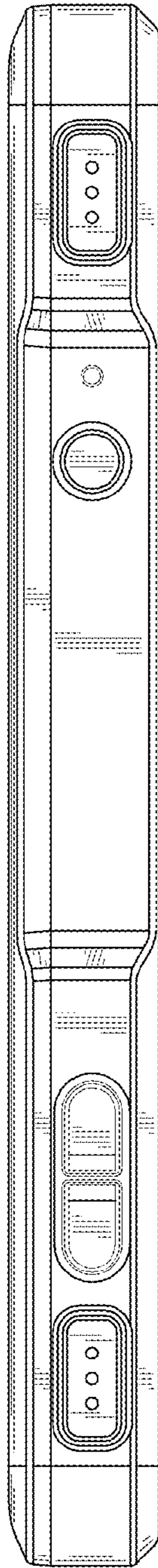


FIG. 23

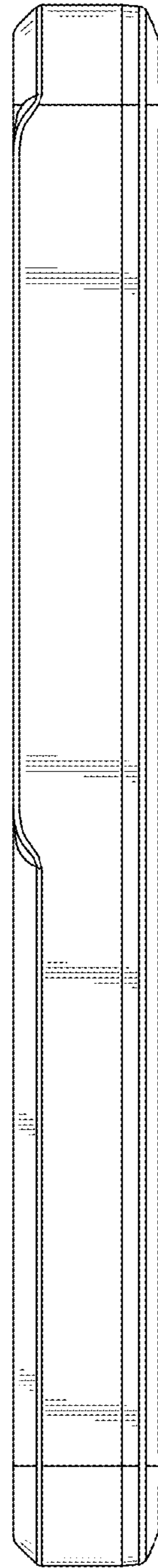


FIG. 24

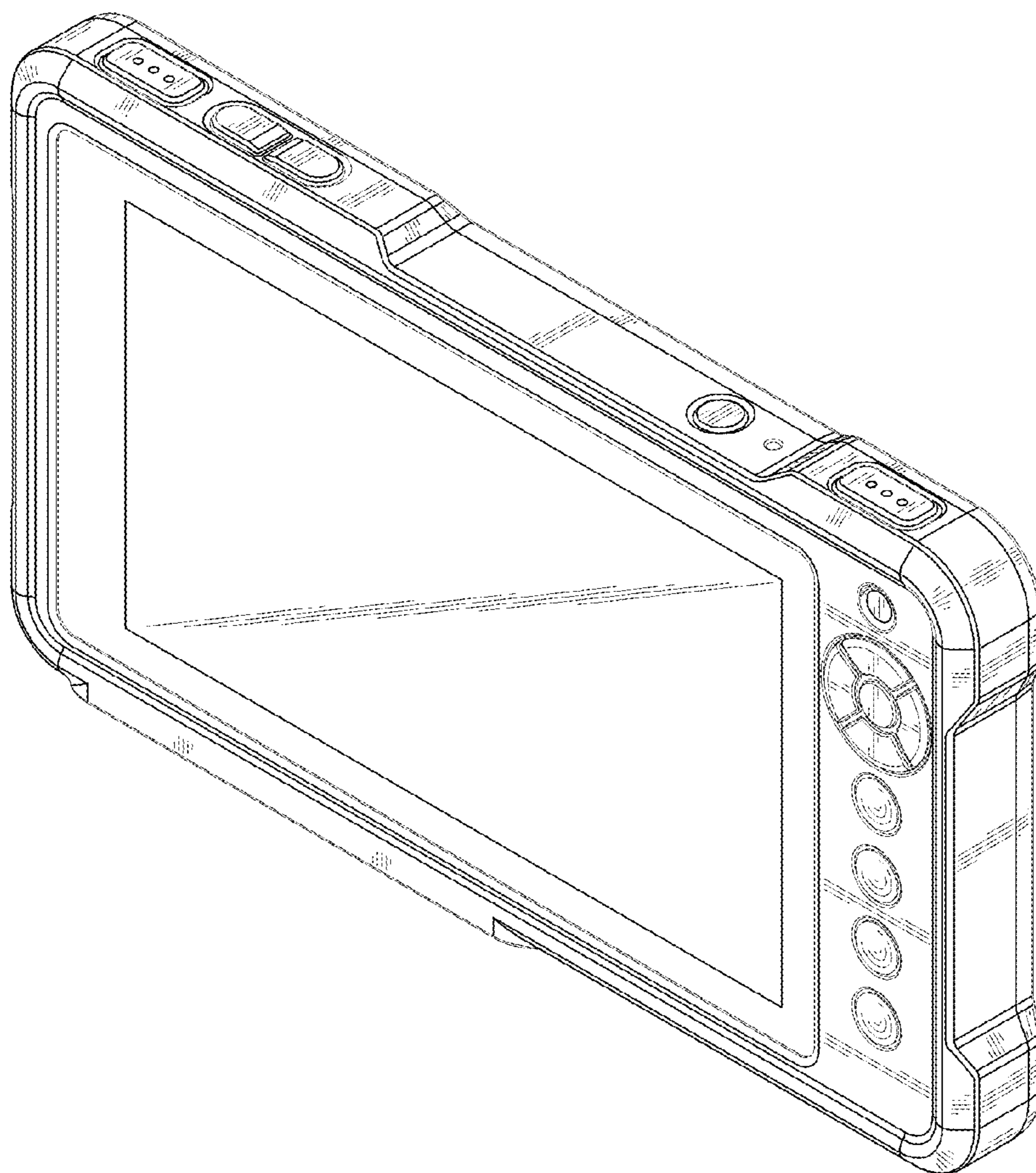


FIG.25

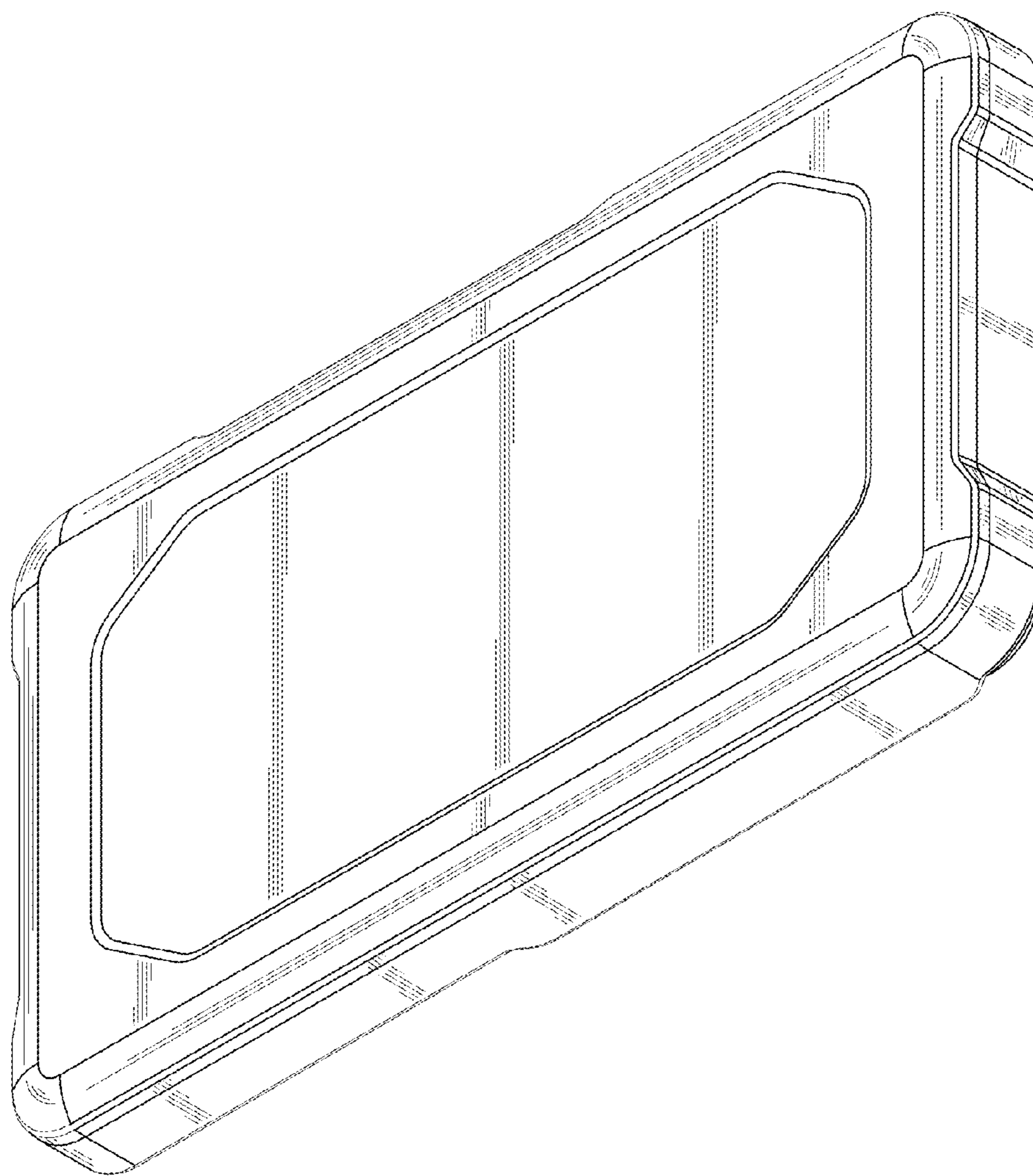


FIG.26

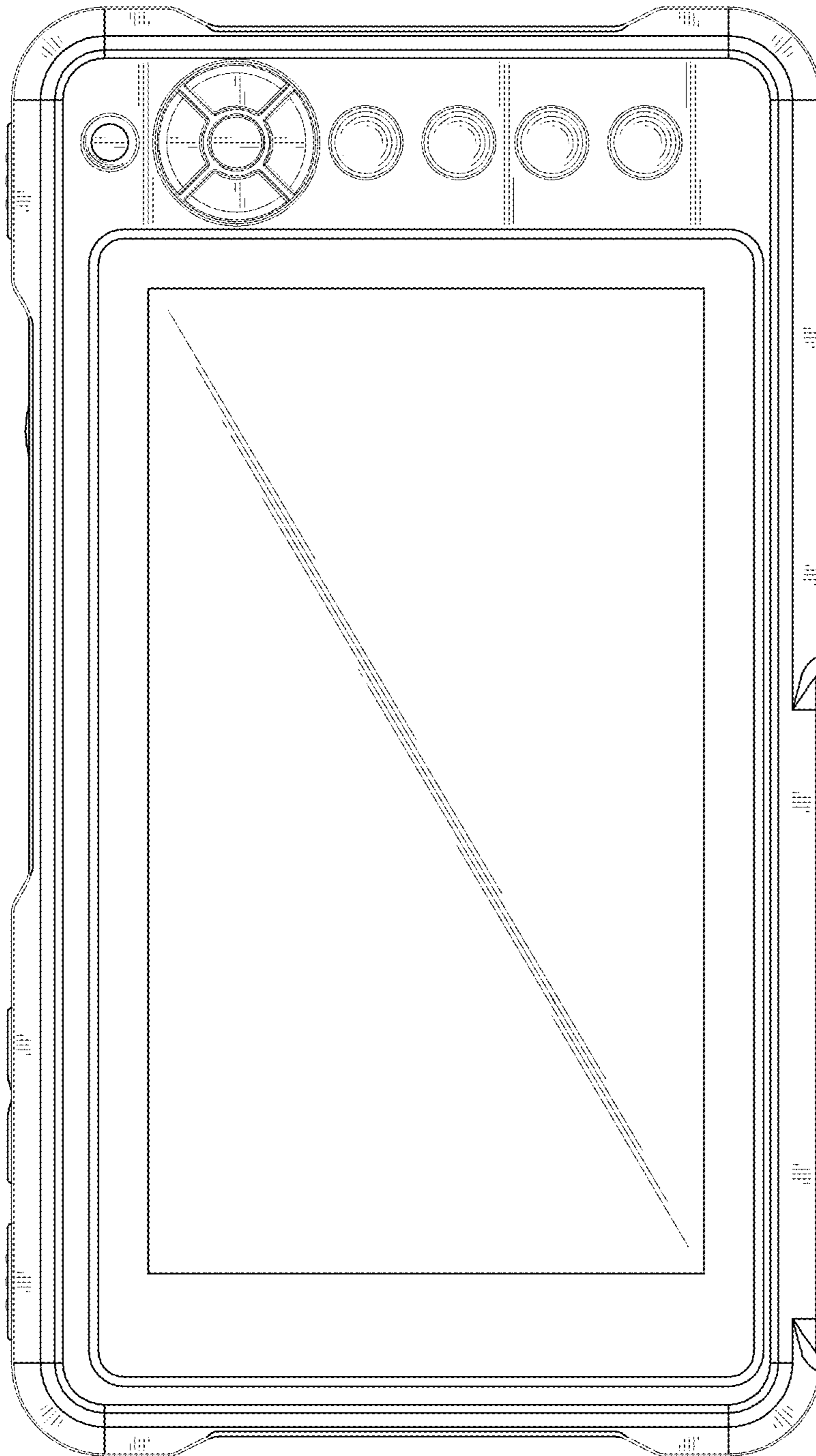


FIG. 27

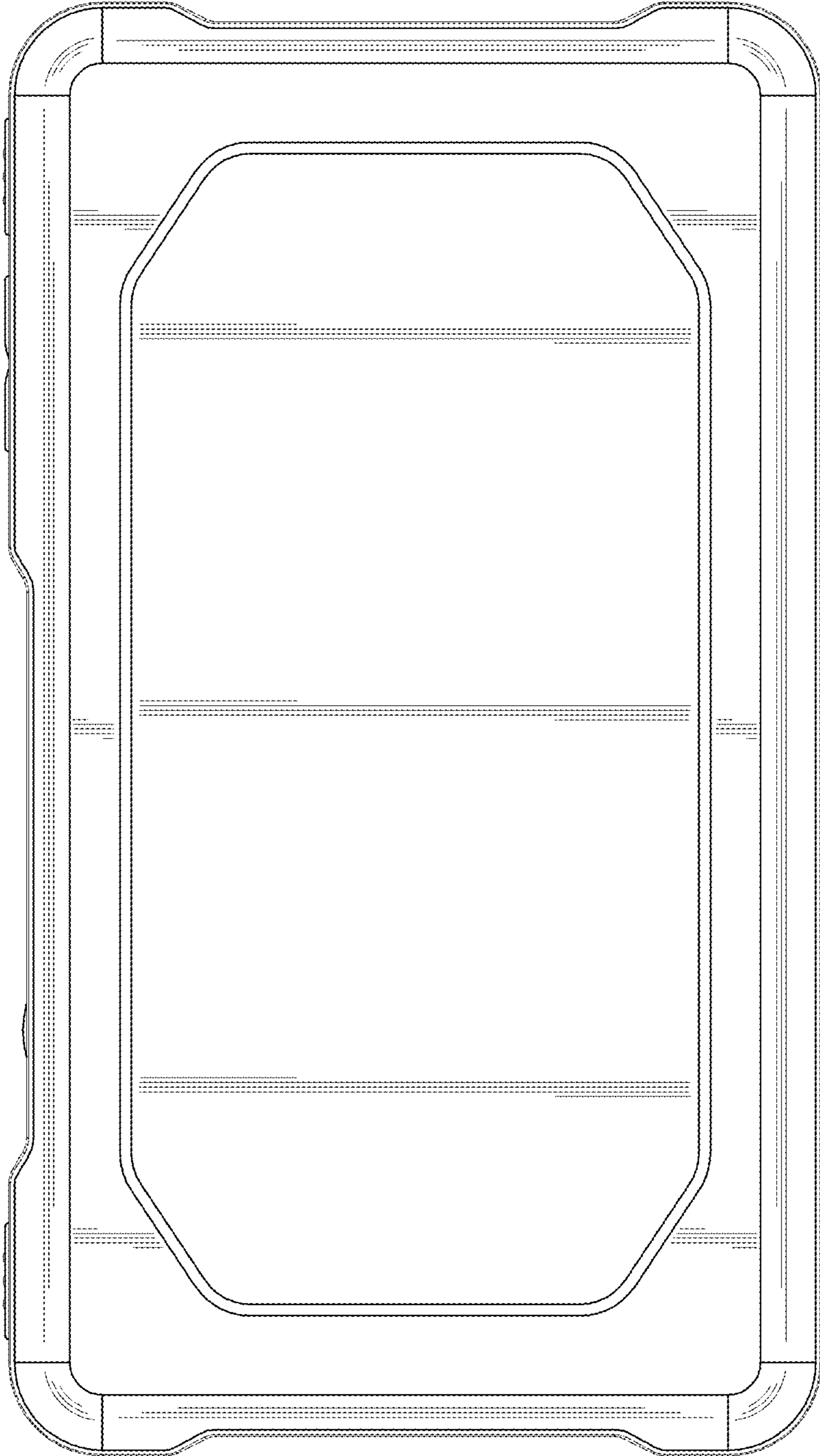


FIG. 28

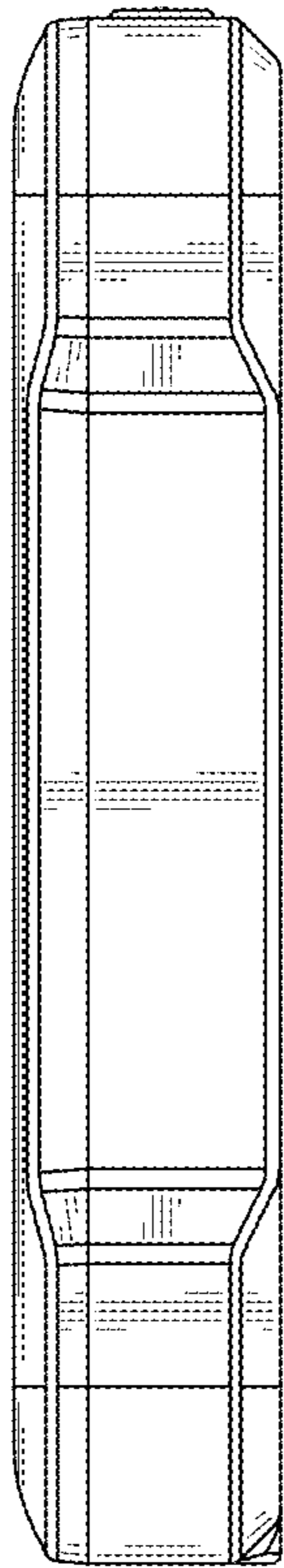


FIG. 29

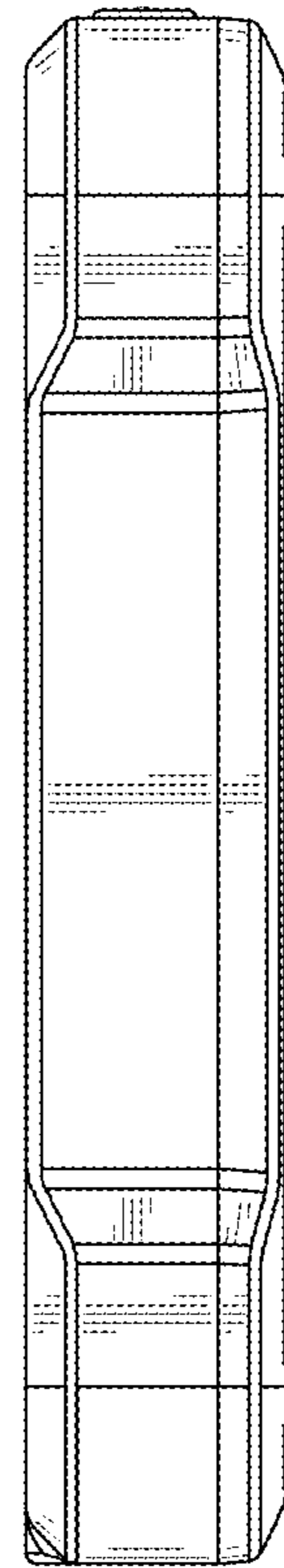


FIG. 30

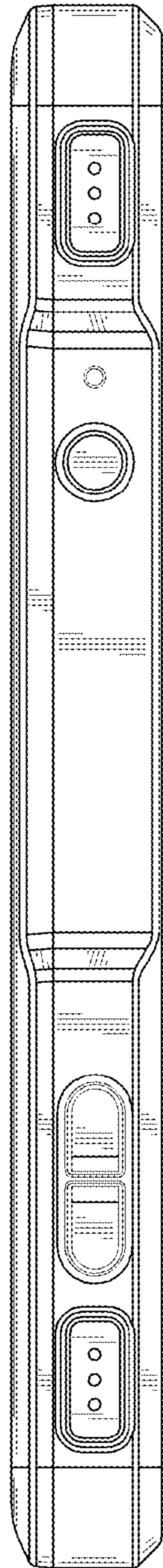


FIG. 31

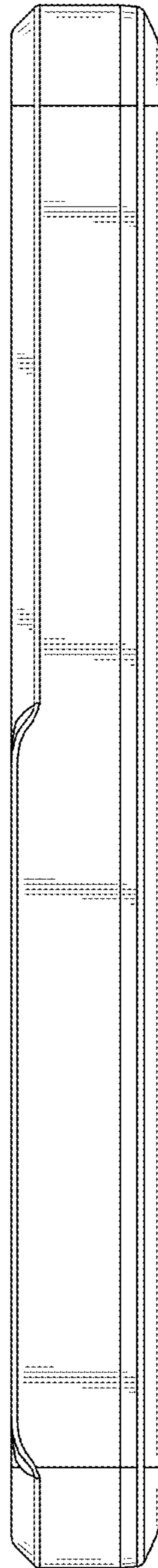


FIG. 32