



US00D767561S

(12) **United States Design Patent** (10) **Patent No.:** **US D767,561 S**
Lin (45) **Date of Patent:** **** Sep. 27, 2016**

(54) **NOTEBOOK COMPUTER**

(71) Applicant: **Acer Incorporated**, New Taipei (TW)

(72) Inventor: **Cheng-Han Lin**, New Taipei (TW)

(73) Assignee: **Acer Incorporated**, New Taipei (TW)

(**) Term: **15 Years**

(21) Appl. No.: **29/537,159**

(22) Filed: **Aug. 23, 2015**

(30) **Foreign Application Priority Data**

Feb. 24, 2015 (TW) 104300979

(51) **LOC (10) Cl.** **14-02**

(52) **U.S. Cl.**
USPC **D14/315**

(58) **Field of Classification Search**

USPC D14/315-327; D18/1, 2, 7, 11;
235/145 A, 145 R; 341/22, 23; 345/104,
345/156, 168, 169, 173; 361/679.08,
361/679.09, 679.11, 679.26, 679.27

CPC G06F 1/16; G06F 1/1616; G06F 1/1626;
G06F 1/1632; G06F 1/1613; G06F 1/1601;
G06F 1/1618; G06F 1/162; G06F 1/166;
G06F 1/1654; G06F 1/1681; G06F 1/1637;
G06F 1/1688; H01R 35/02; H03M 11/00;
G09B 13/04; H03K 17/94; G09G 5/00;
F16M 11/10; H05K 5/00; H04M 1/0237

See application file for complete search history.

(56) **References Cited**

U.S. PATENT DOCUMENTS

D617,789 S *	6/2010	Akana	D14/318
D650,378 S *	12/2011	Lee	D14/315
D664,532 S *	7/2012	Lee	D14/315
D705,220 S *	5/2014	Wolff	D14/315
D714,777 S *	10/2014	Chang	D14/315

* cited by examiner

Primary Examiner — Freda S Nunn

(74) *Attorney, Agent, or Firm* — Jianq Chyun IP Office

(57) **CLAIM**

The ornamental design for a notebook computer, as shown and described.

DESCRIPTION

FIG. 1 is a front perspective view of a notebook computer showing my new design;

FIG. 2 is a rear perspective view thereof;

FIG. 3 is a front view thereof;

FIG. 4 is a rear view thereof;

FIG. 5 is a left side view thereof;

FIG. 6 is a right side view thereof;

FIG. 7 is a top view thereof;

FIG. 8 is a bottom view thereof;

FIG. 9 is a front perspective view thereof in an open state;

FIG. 10 is a rear perspective view thereof in an open state

FIG. 11 is an enlarged view of an indicated portion of FIG.

3;

FIG. 12 is an enlarged view of an indicated portion of FIG.

3;

FIG. 13 is an enlarged view of an indicated portion of FIG.

3;

FIG. 14 is an enlarged view of an indicated portion of FIG.

4;

FIG. 15 is an enlarged view of an indicated portion of FIG.

4;

FIG. 16 is an enlarged view of an indicated portion of FIG.

4;

FIG. 17 is an enlarged view of an indicated portion of FIG.

5;

FIG. 18 is an enlarged view of an indicated portion of FIG.

5;

FIG. 19 is an enlarged view of an indicated portion of FIG.

6;

FIG. 20 is an enlarged view of an indicated portion of FIG.

6;

FIG. 21 is an enlarged view of an indicated portion of FIG.

7;

FIG. 22 is an enlarged view of an indicated portion of FIG.

7;

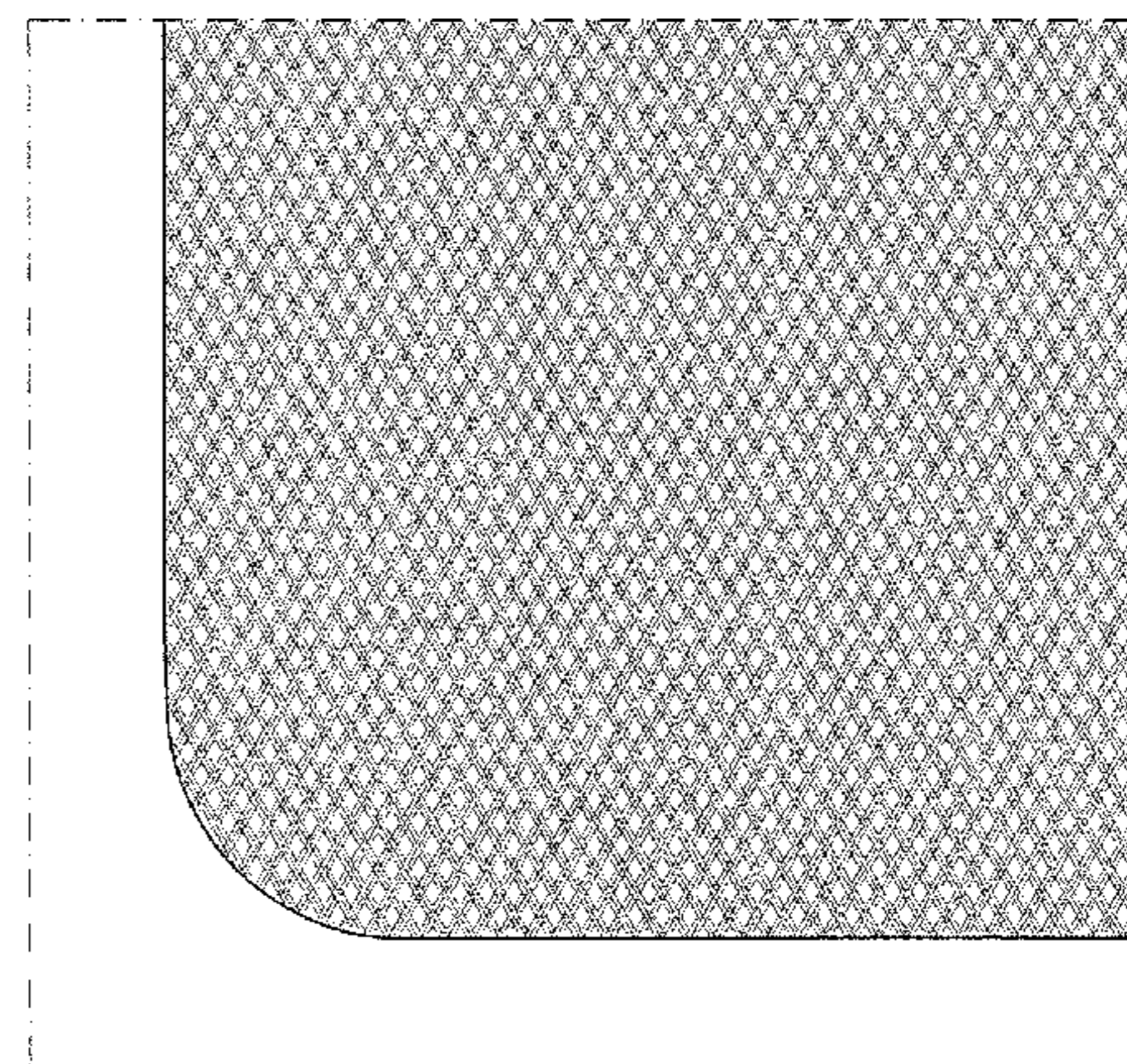
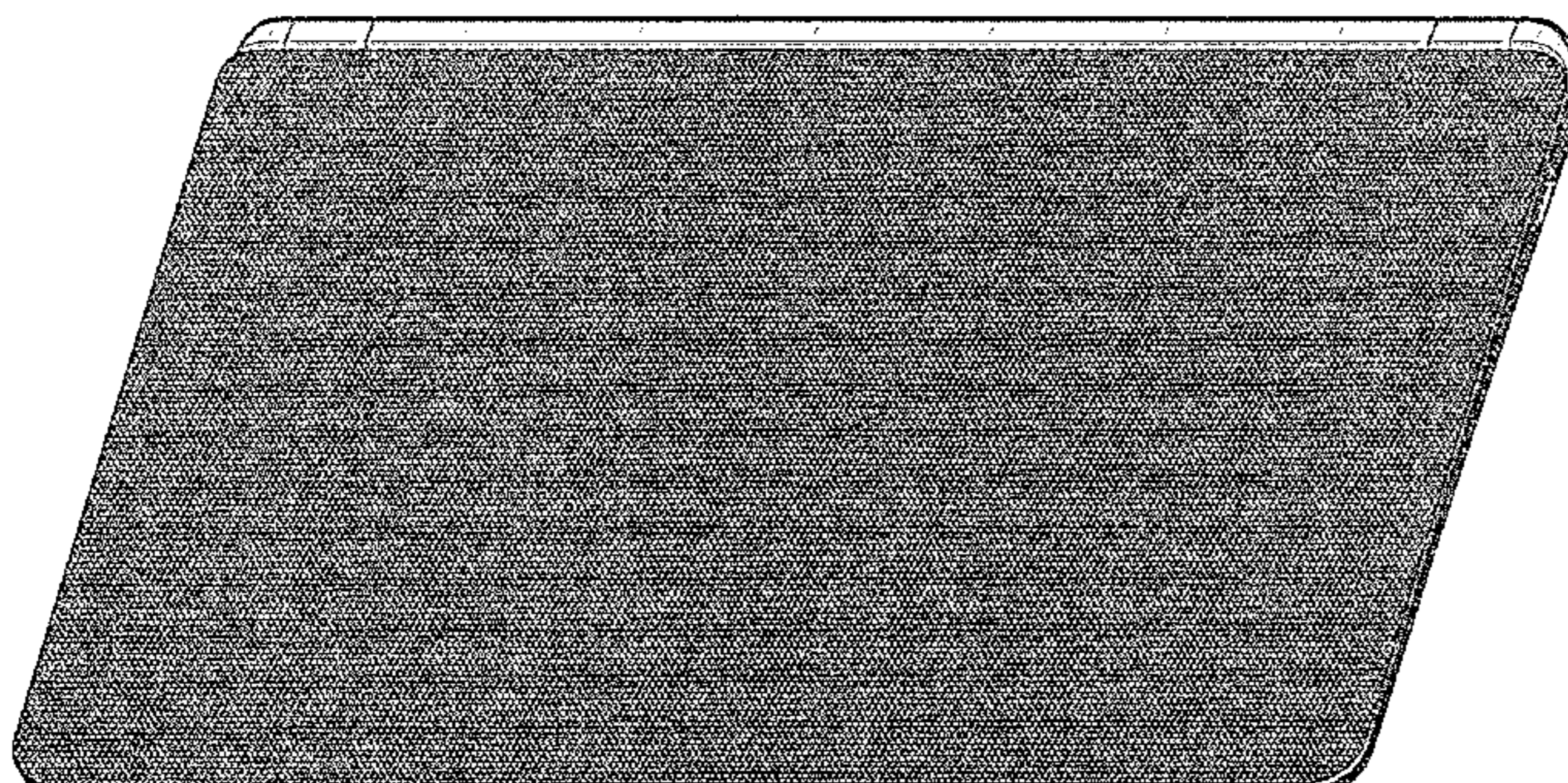


FIG. **23** is an enlarged view of an indicated portion of FIG. **7**;
FIG. **24** is an enlarged view of an indicated portion of FIG. **8**;
FIG. **25** is an enlarged view of an indicated portion of FIG. **8**;
FIG. **26** is an enlarged view of an indicated portion of FIG. **10**; and,

FIG. **27** is an enlarged view of an indicated portion of FIG. **10**.

The broken line portions of the notebook computer represent unclaimed portions of the claimed design and form no part thereof.

1 Claim, 17 Drawing Sheets

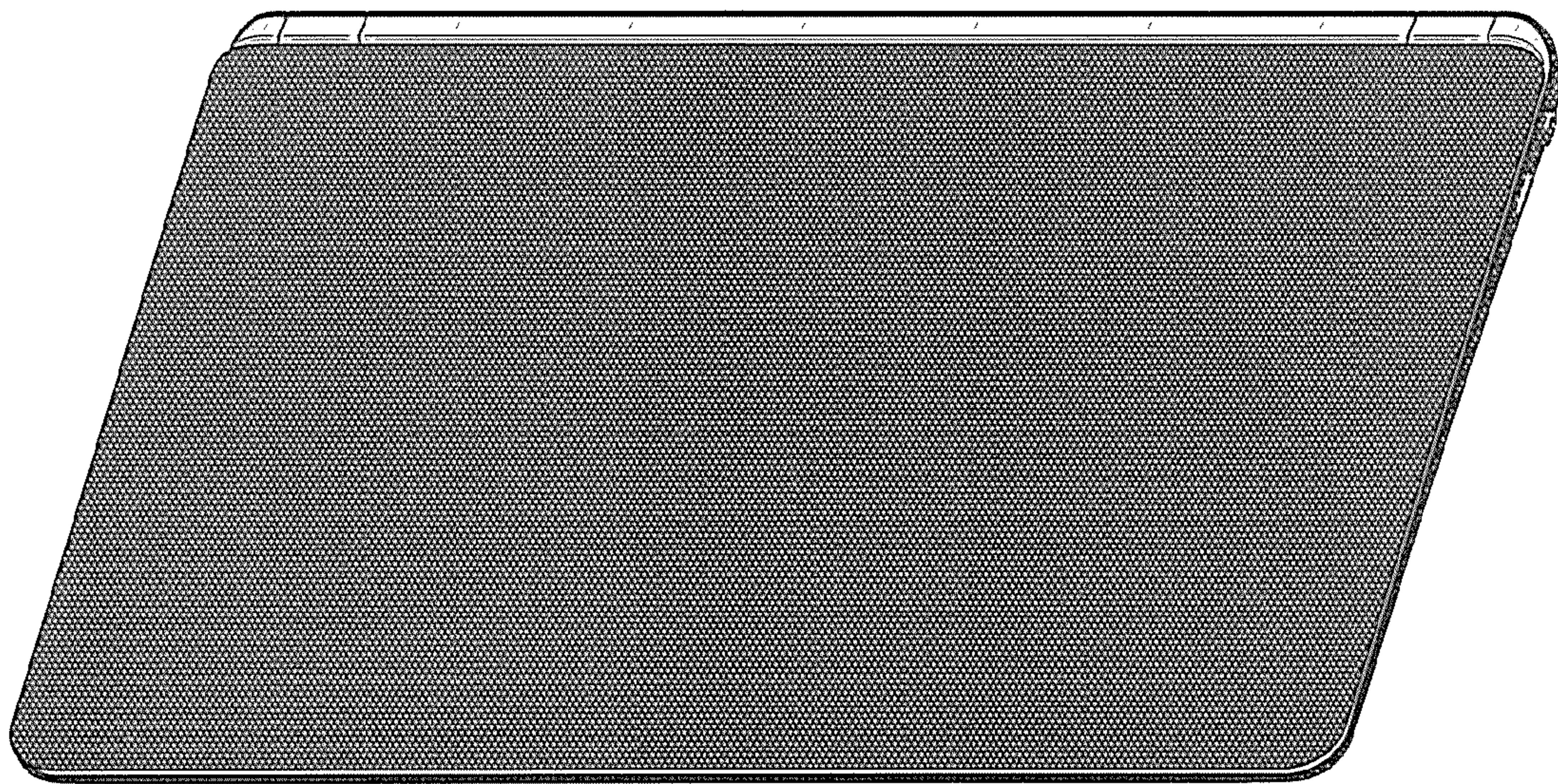


FIG. 1

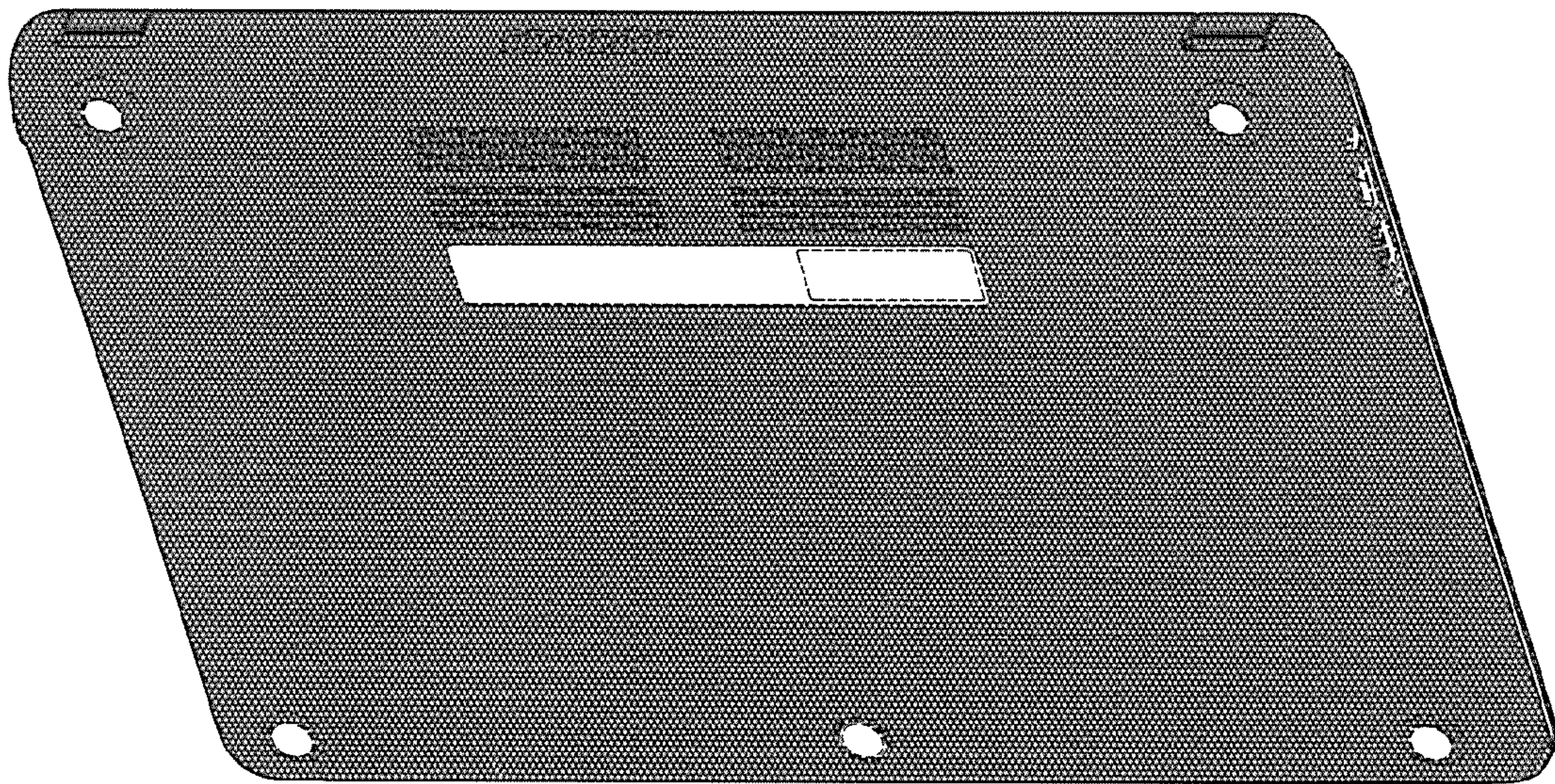
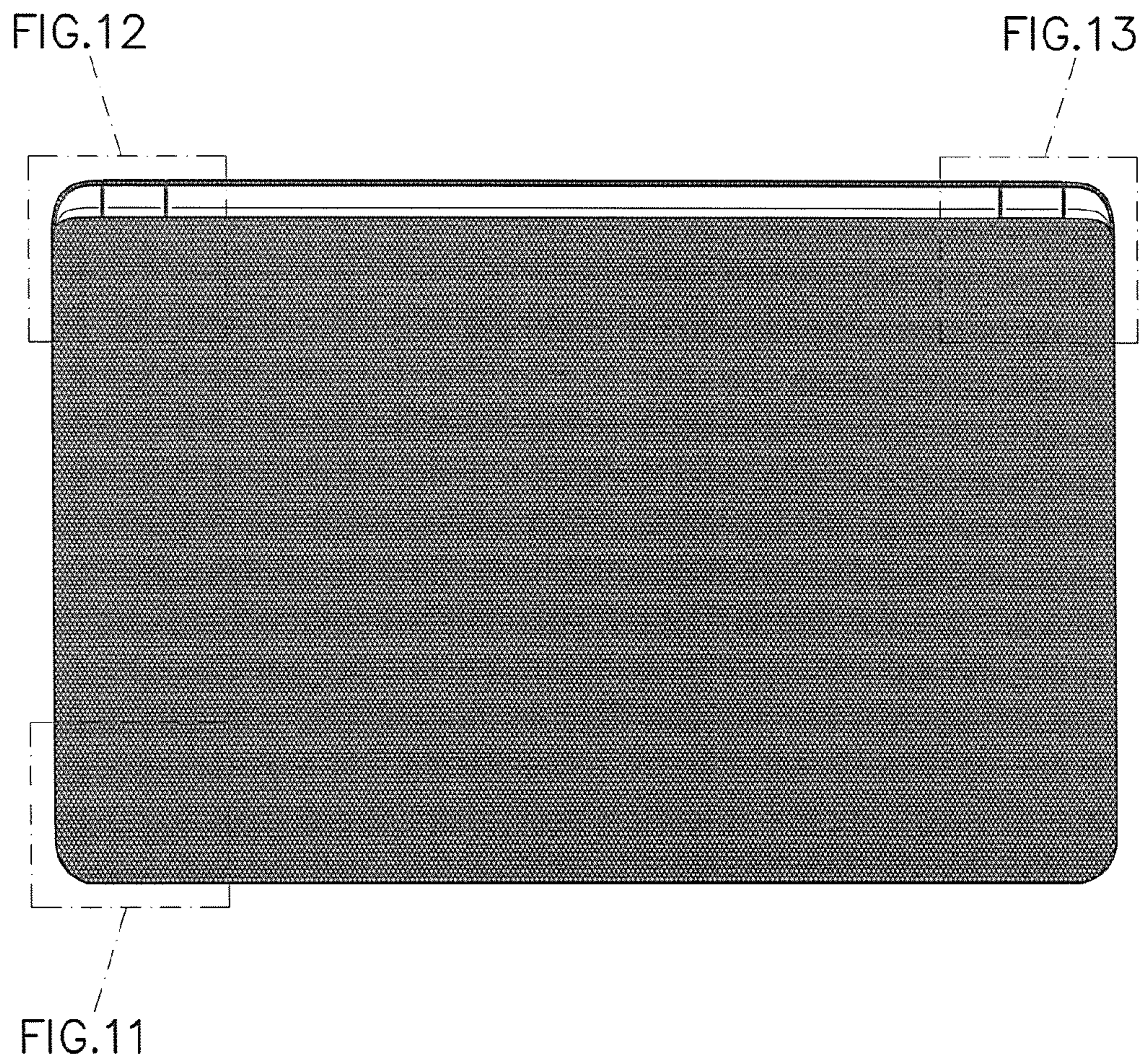


FIG. 2



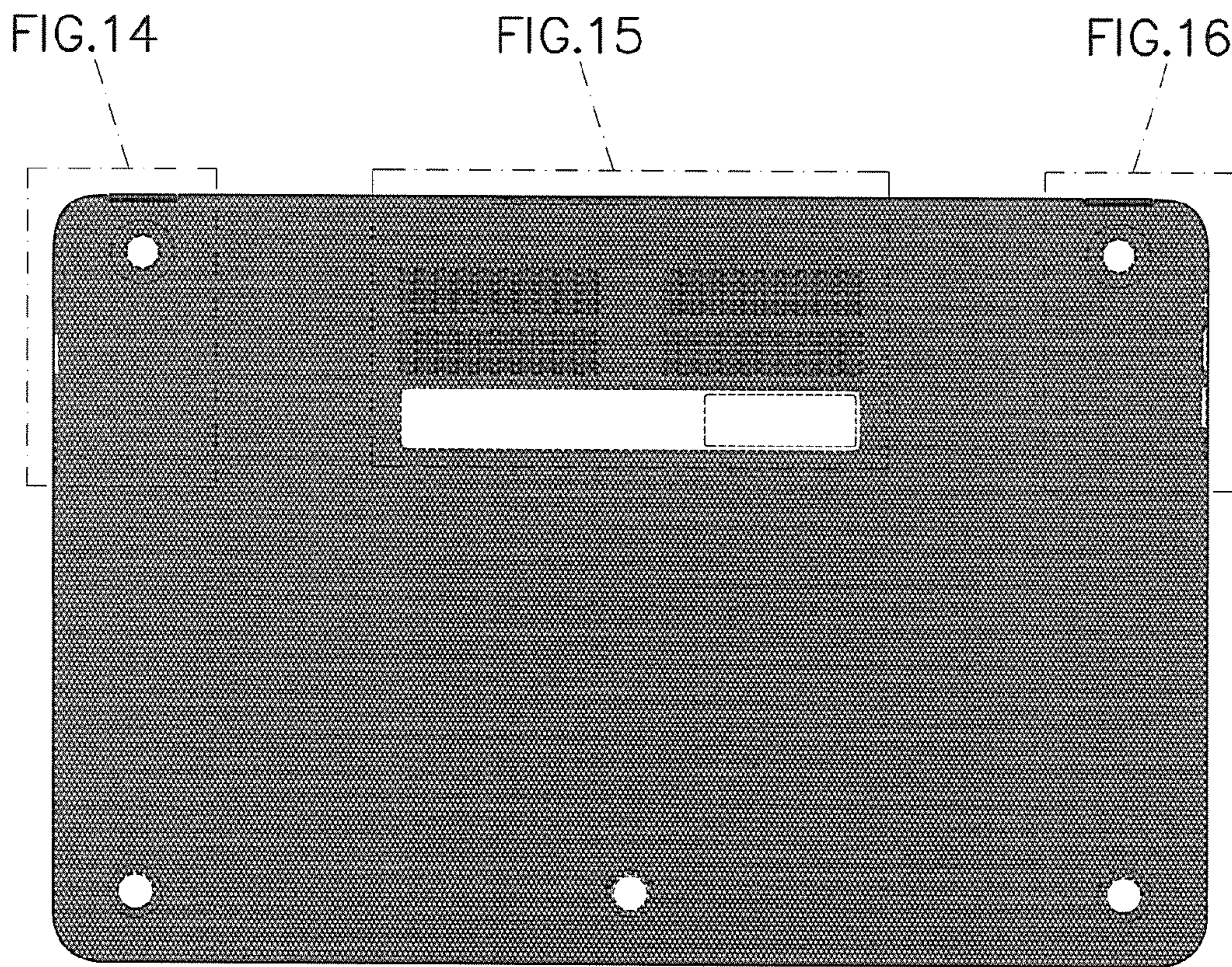


FIG. 4

FIG.17

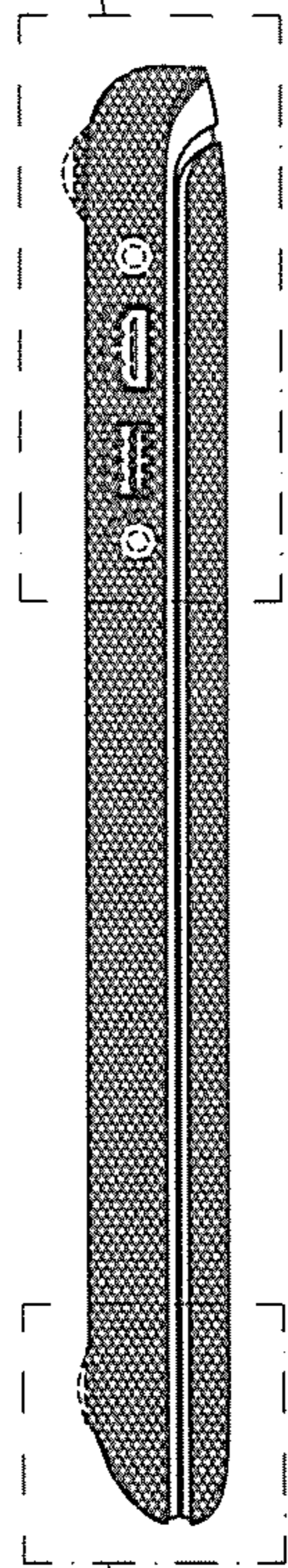


FIG.18

FIG. 5

FIG.19

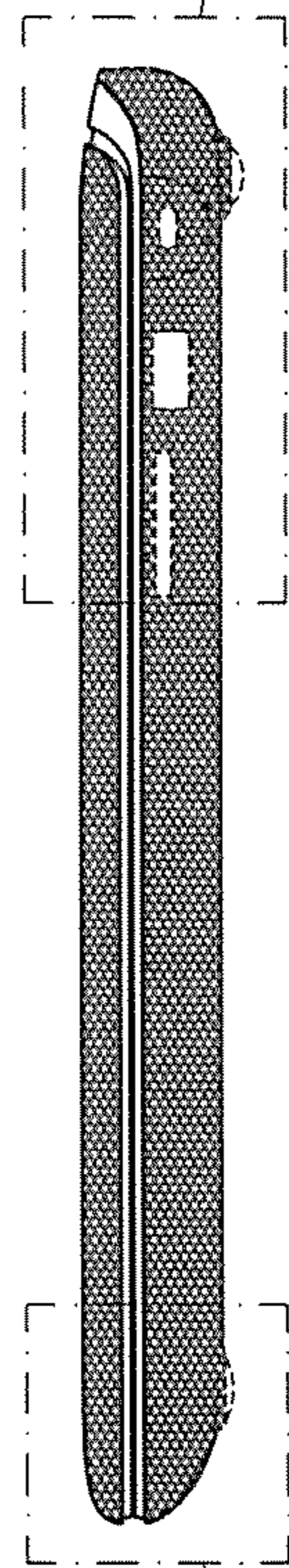


FIG.20

FIG. 6

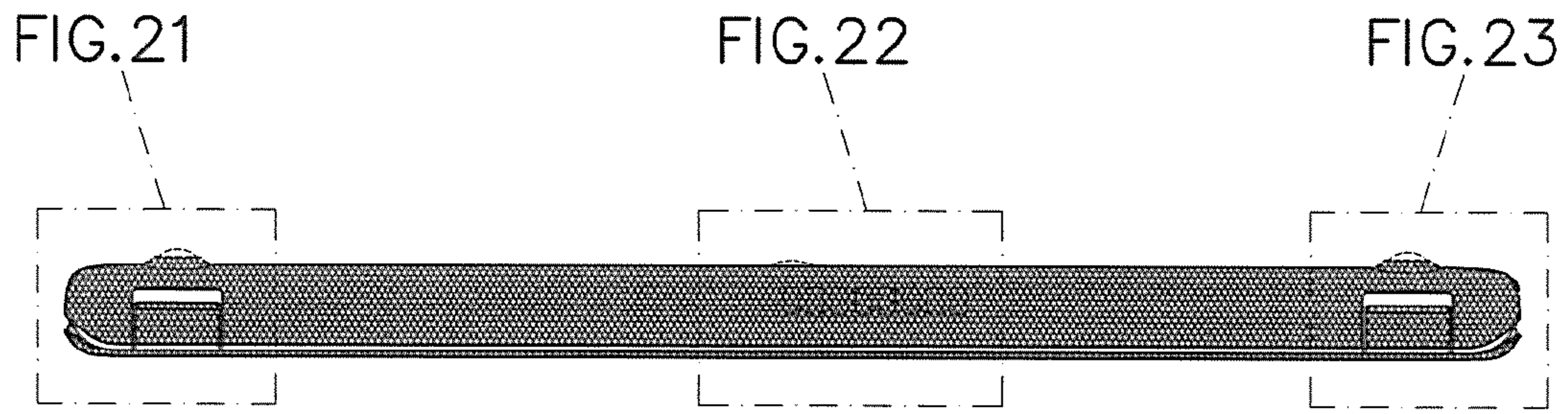


FIG. 7

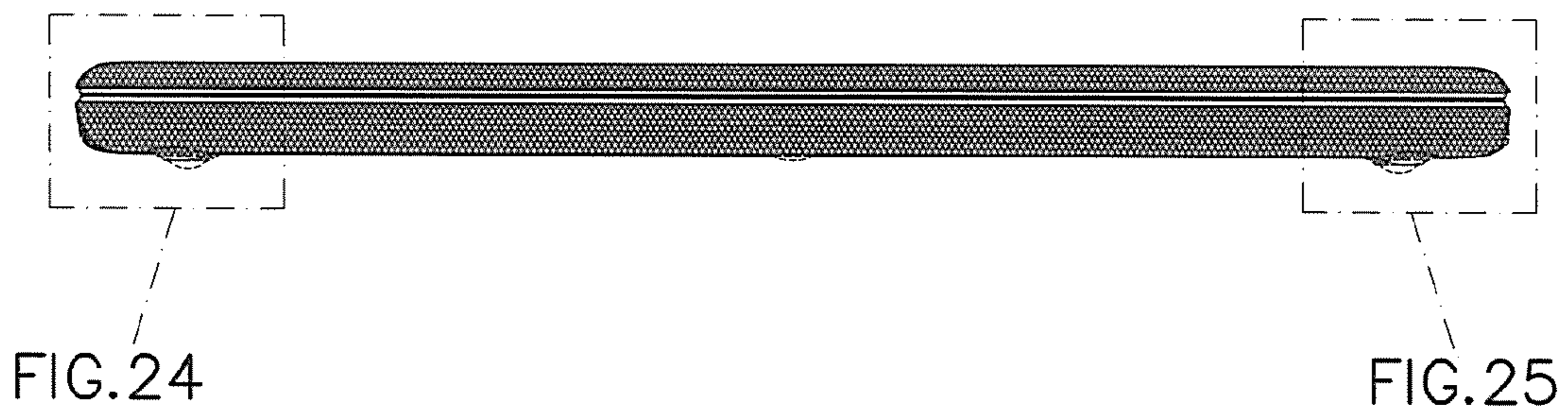


FIG. 8

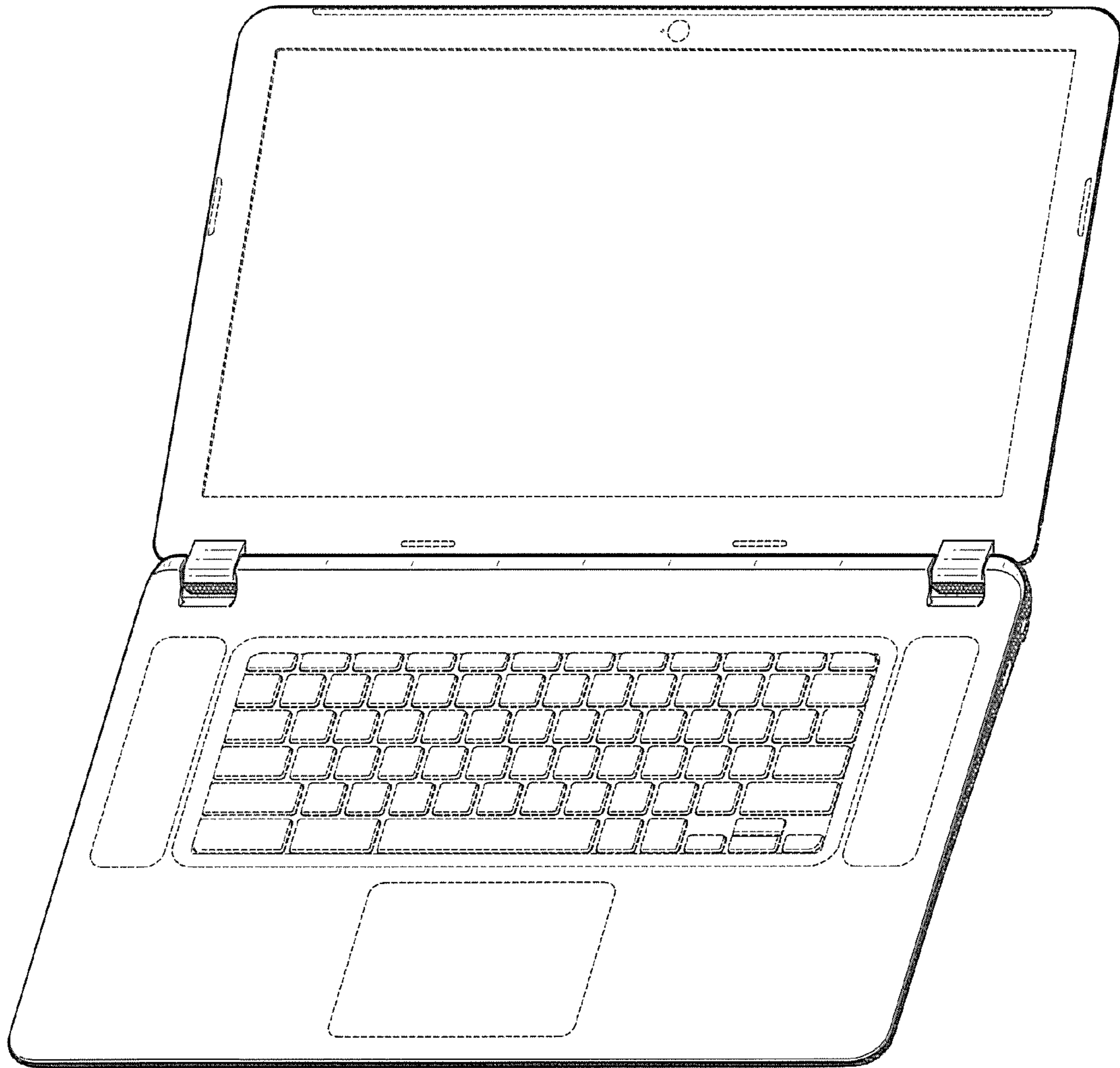


FIG. 9

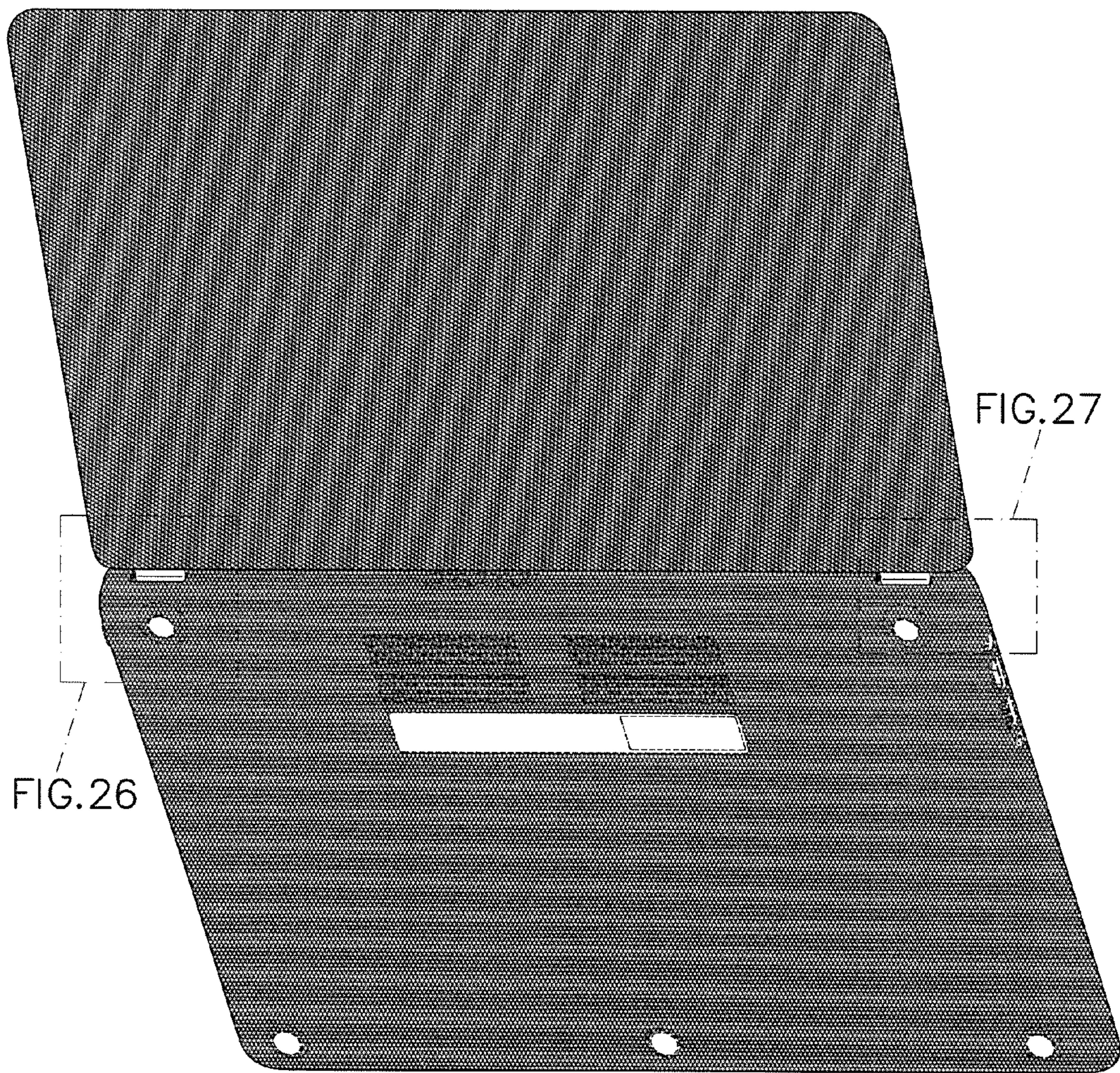


FIG. 10

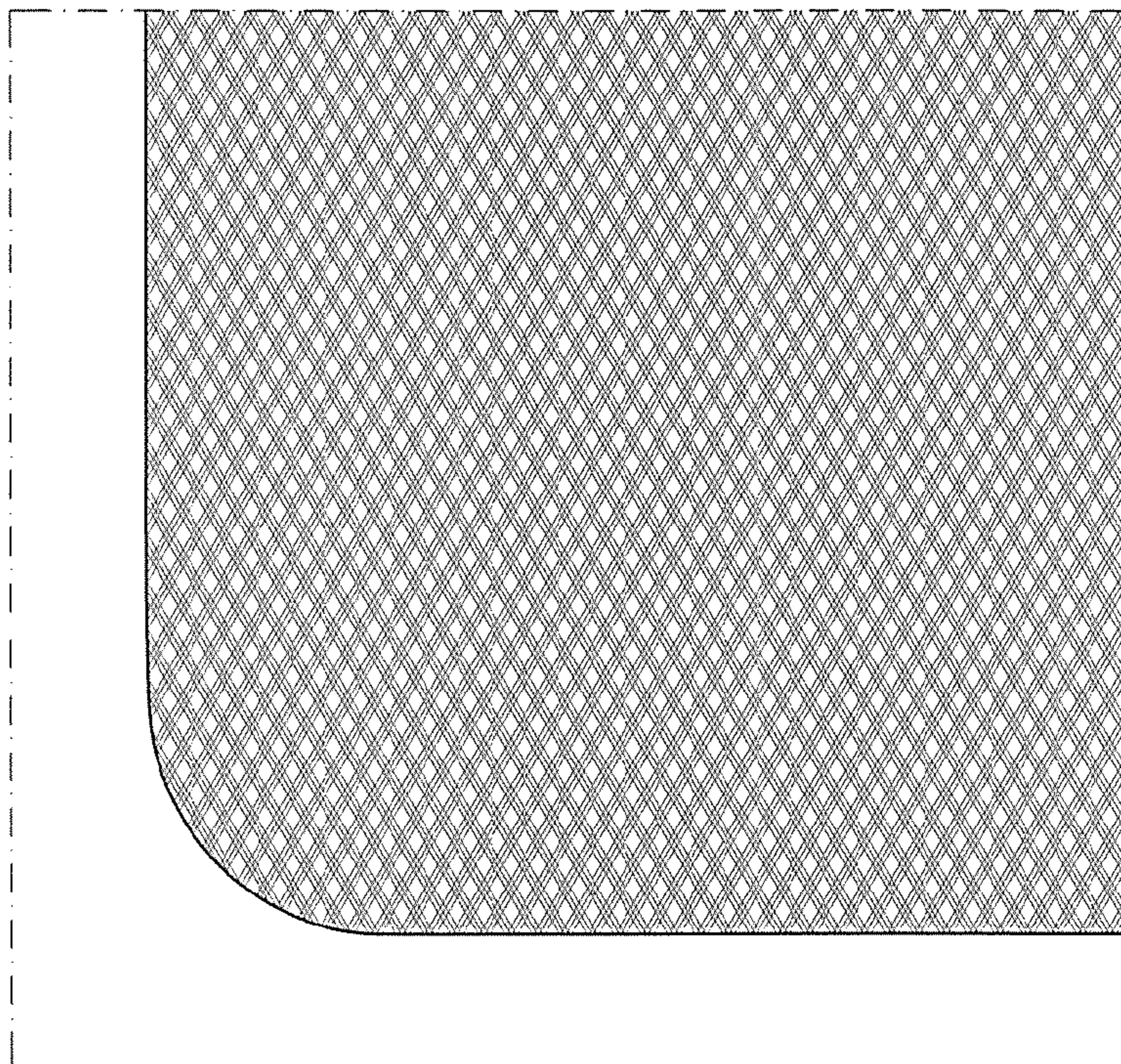


FIG. 11

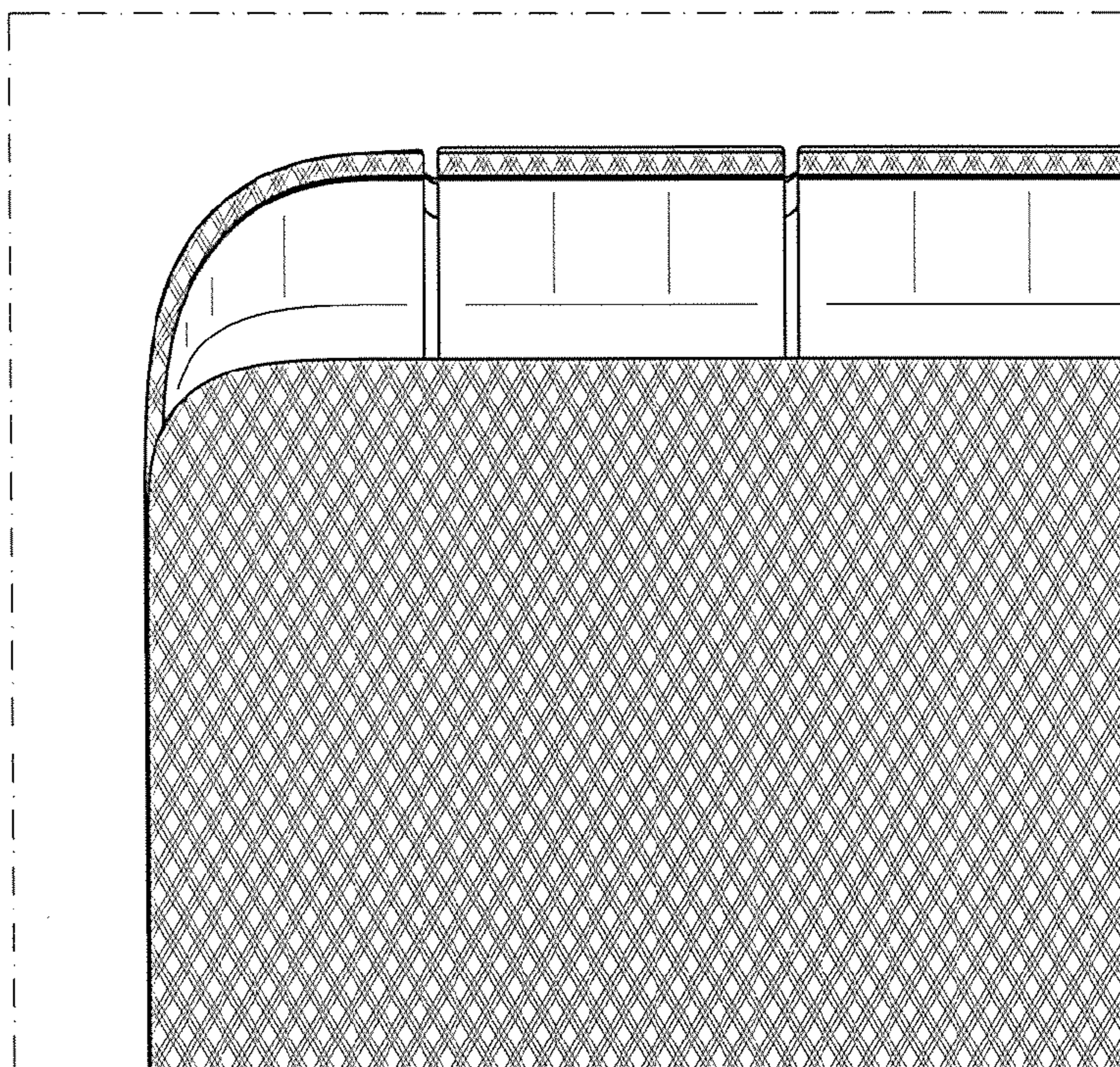


FIG. 12

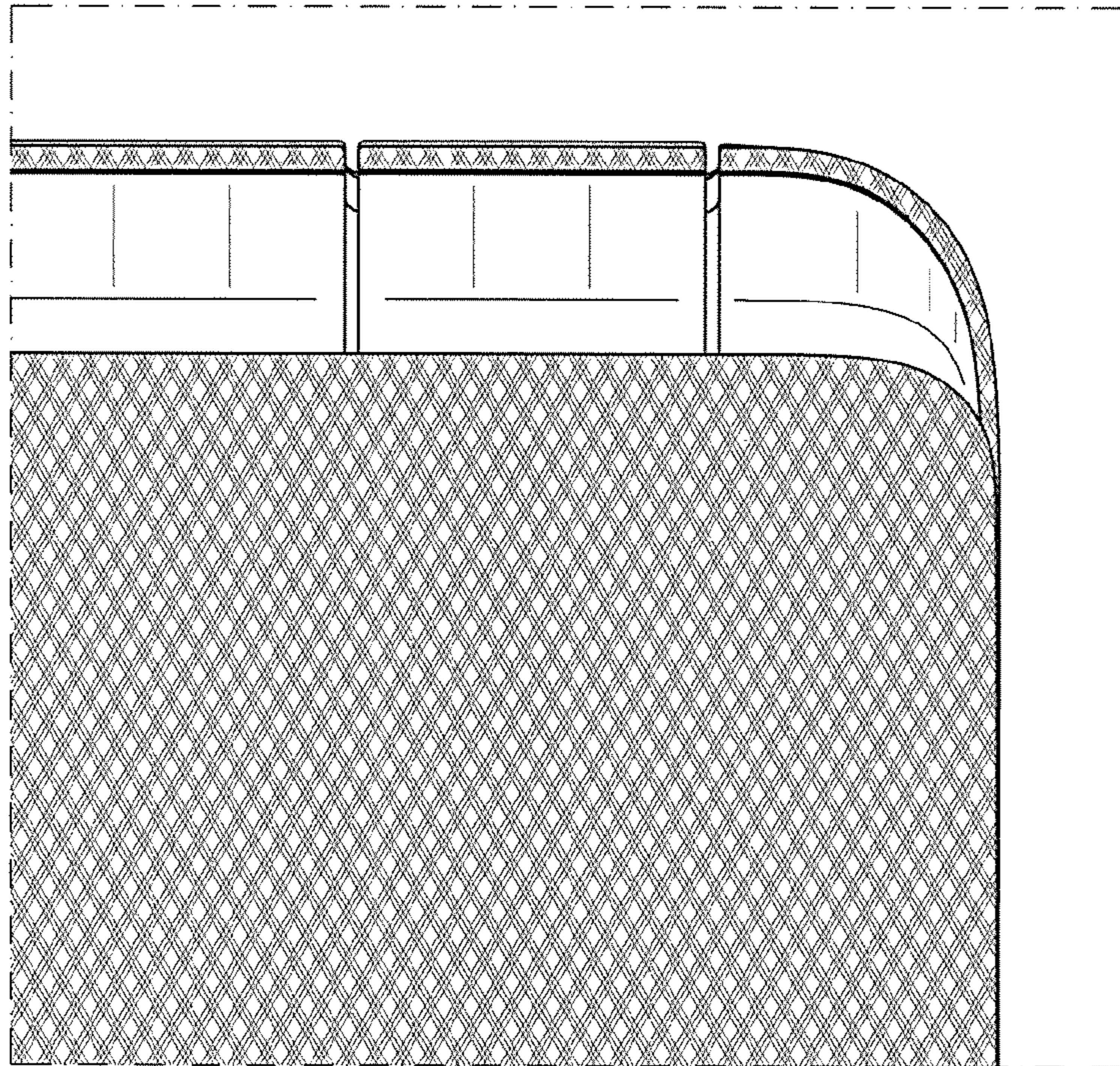


FIG. 13

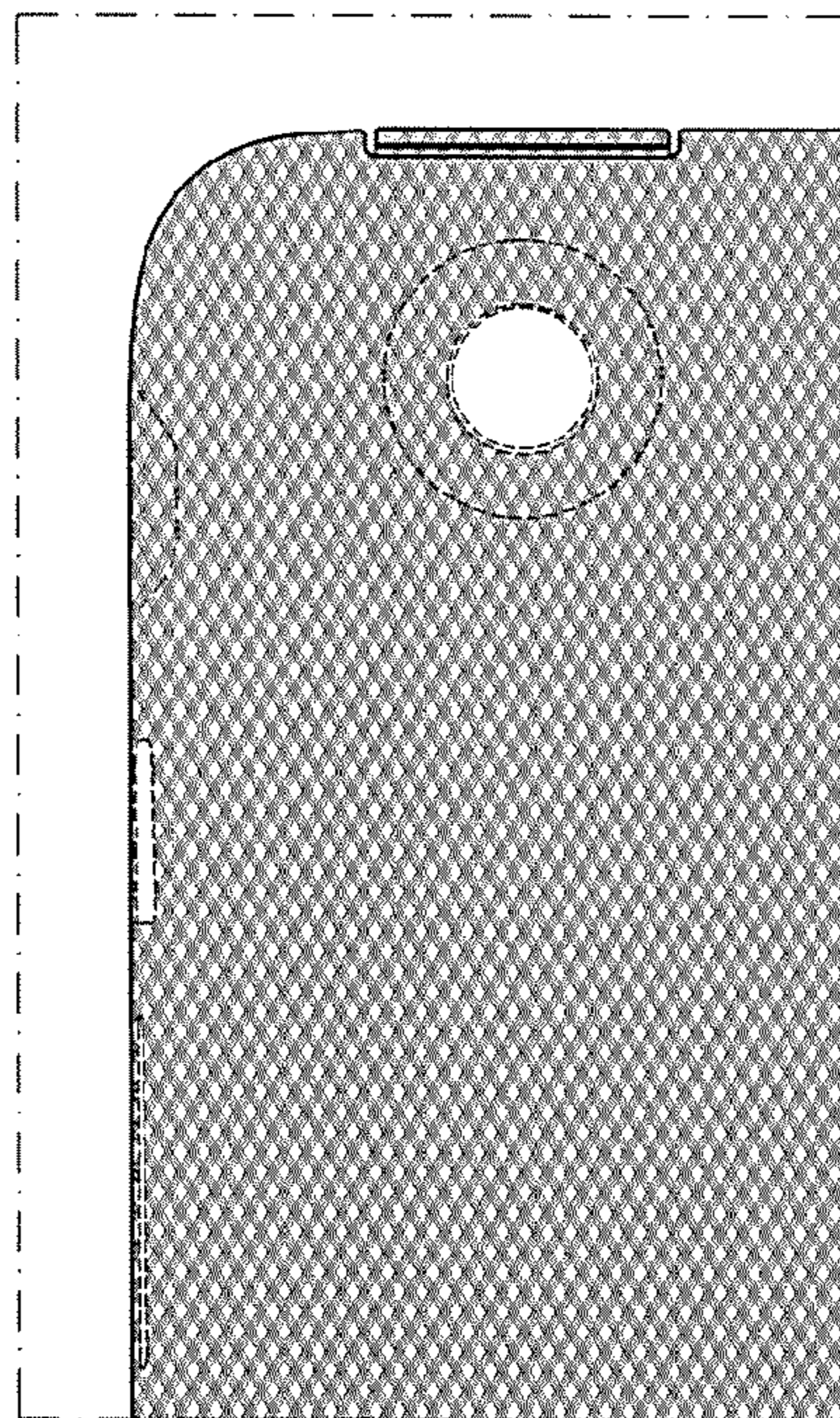


FIG. 14

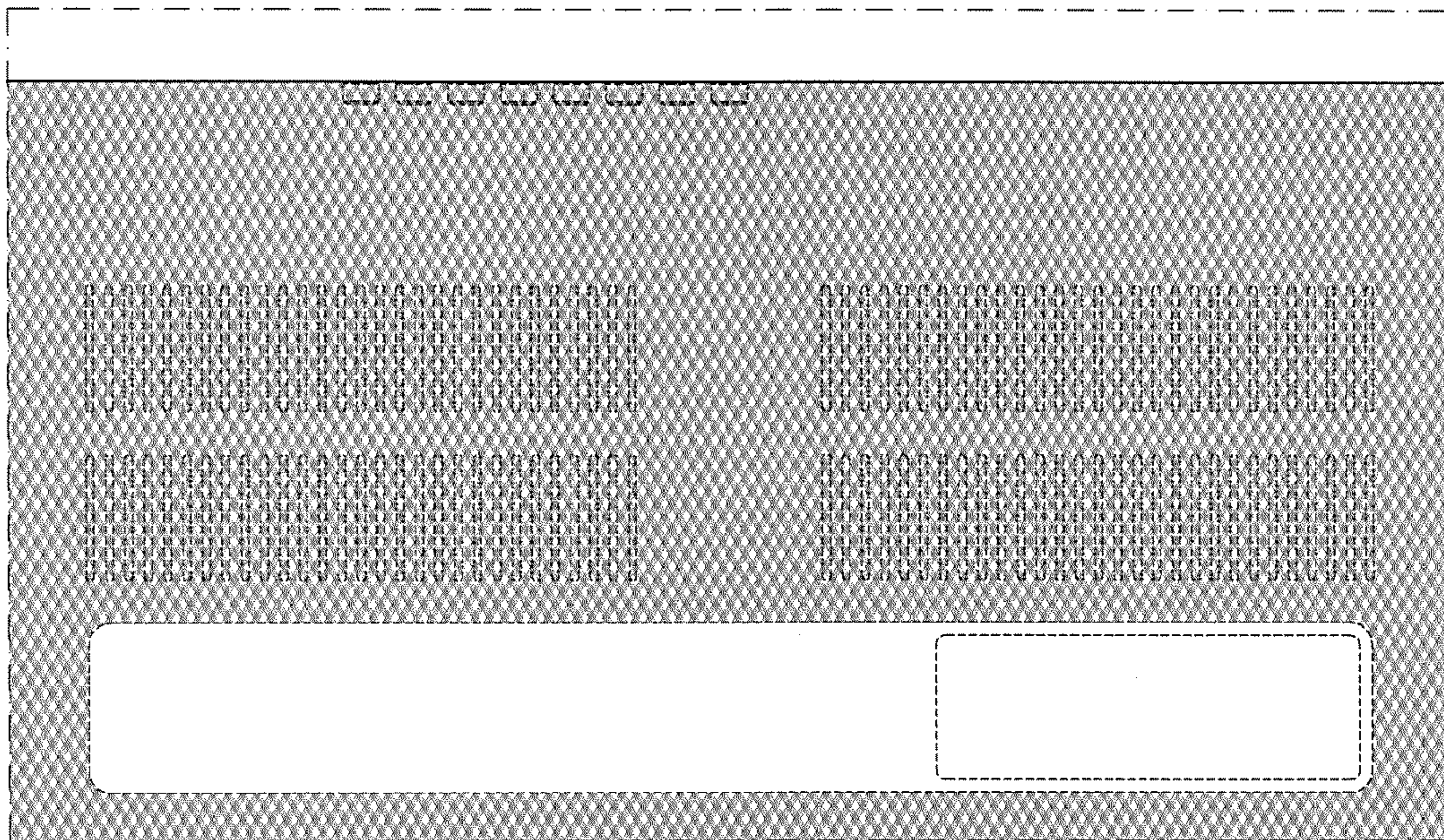


FIG. 15

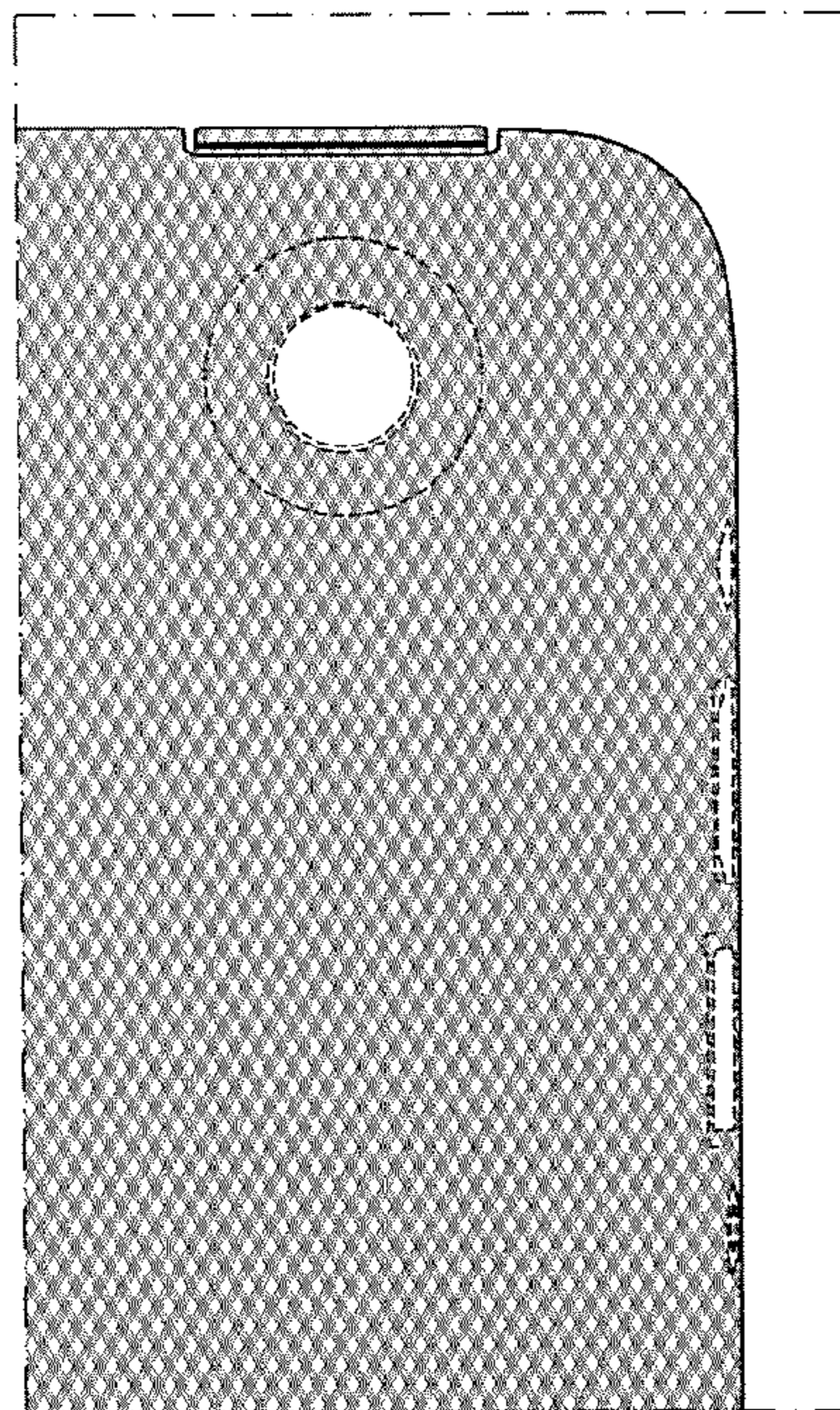


FIG. 16

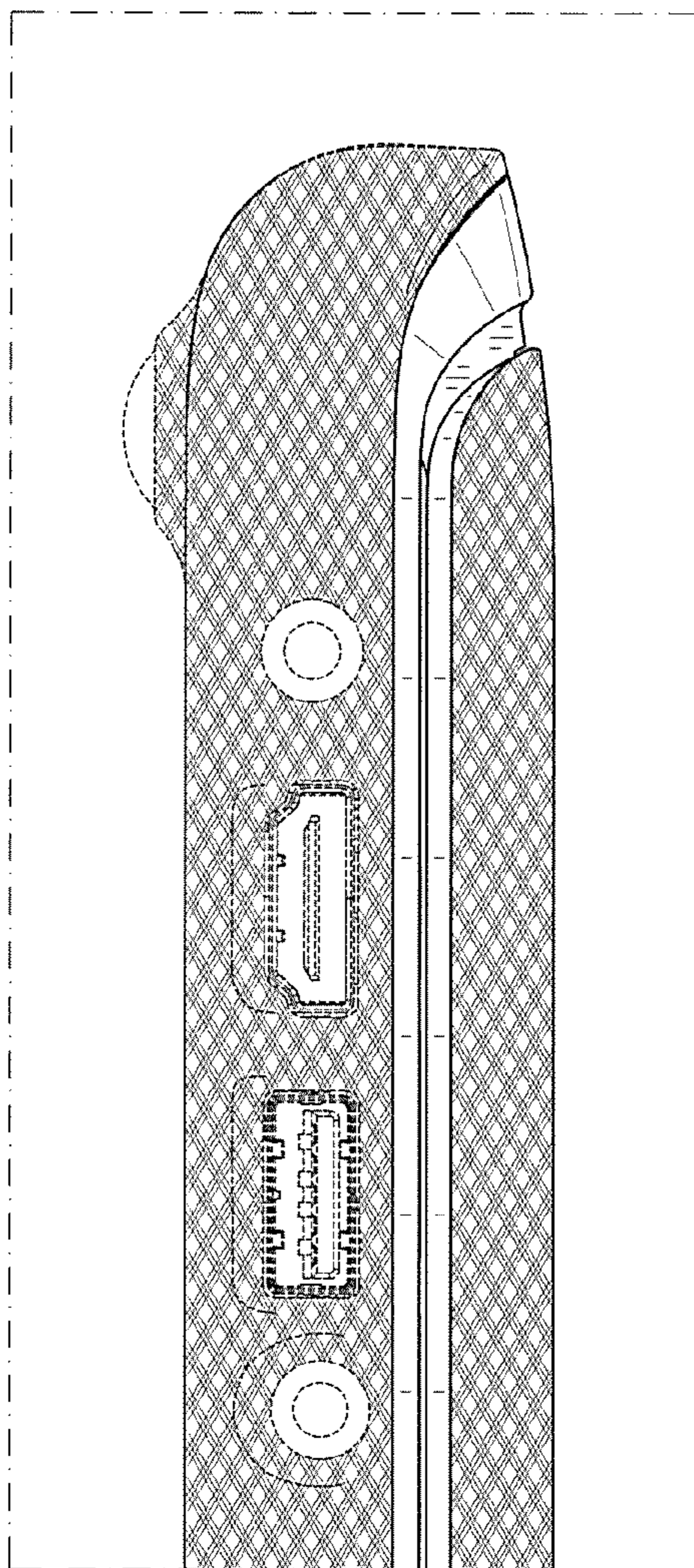


FIG. 17

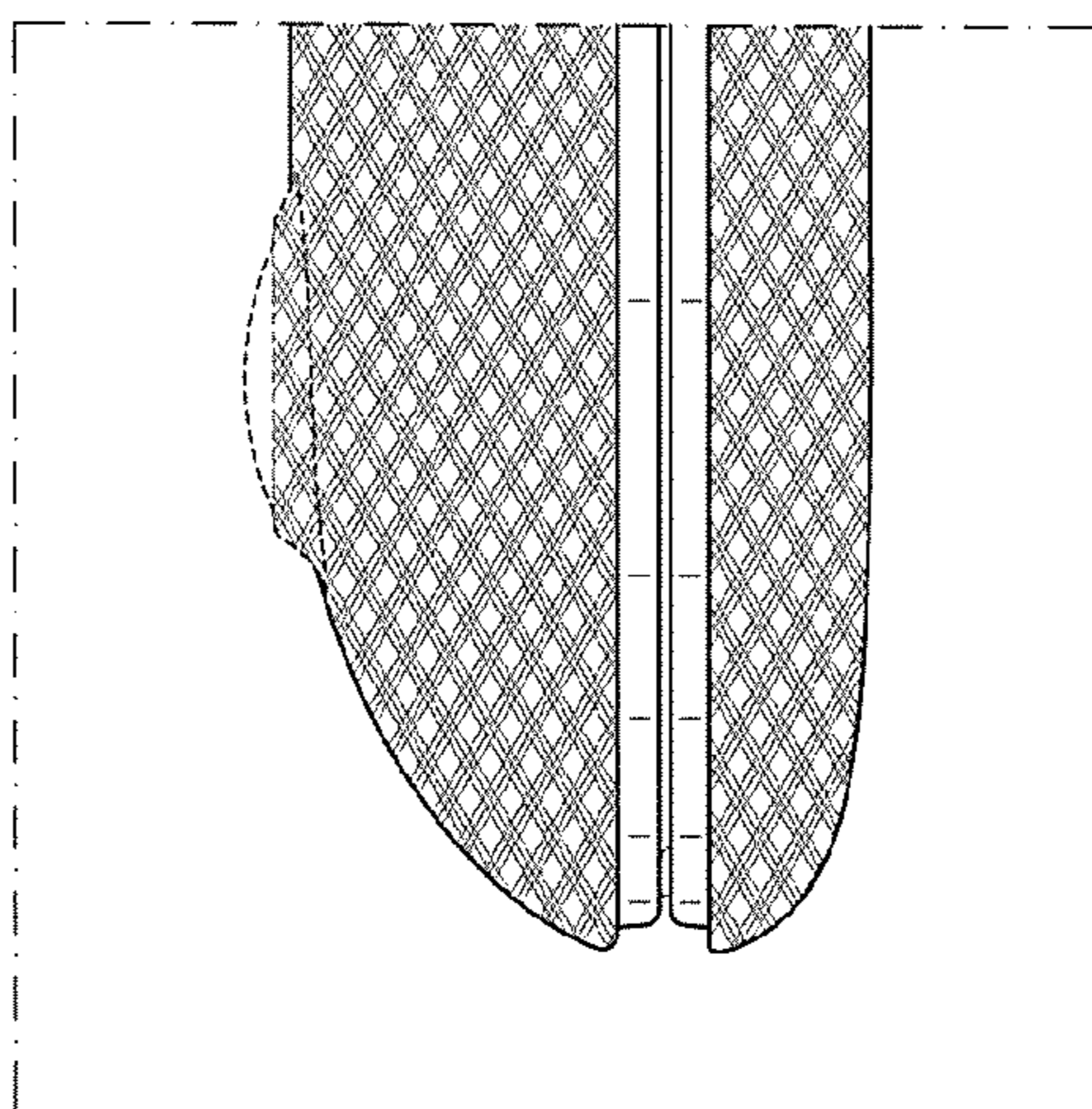


FIG. 18

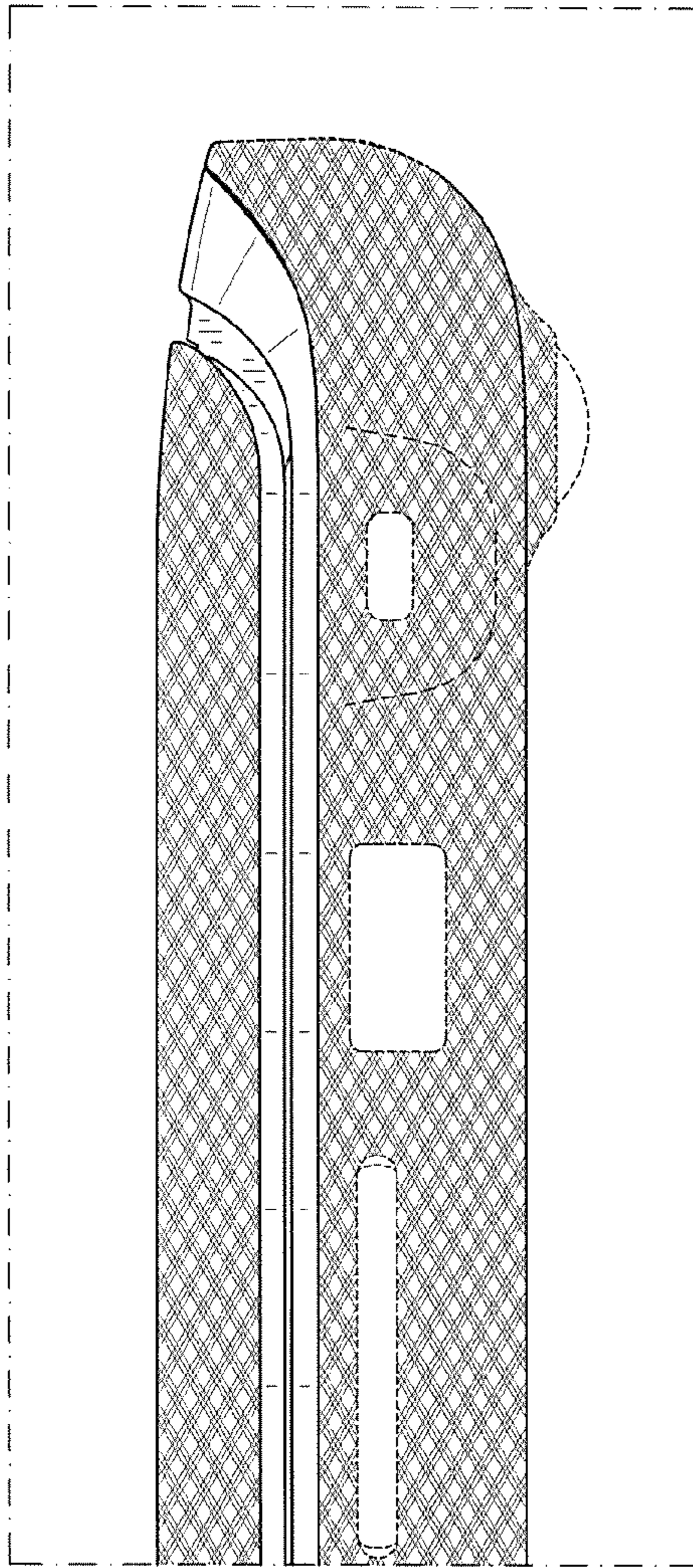


FIG. 19

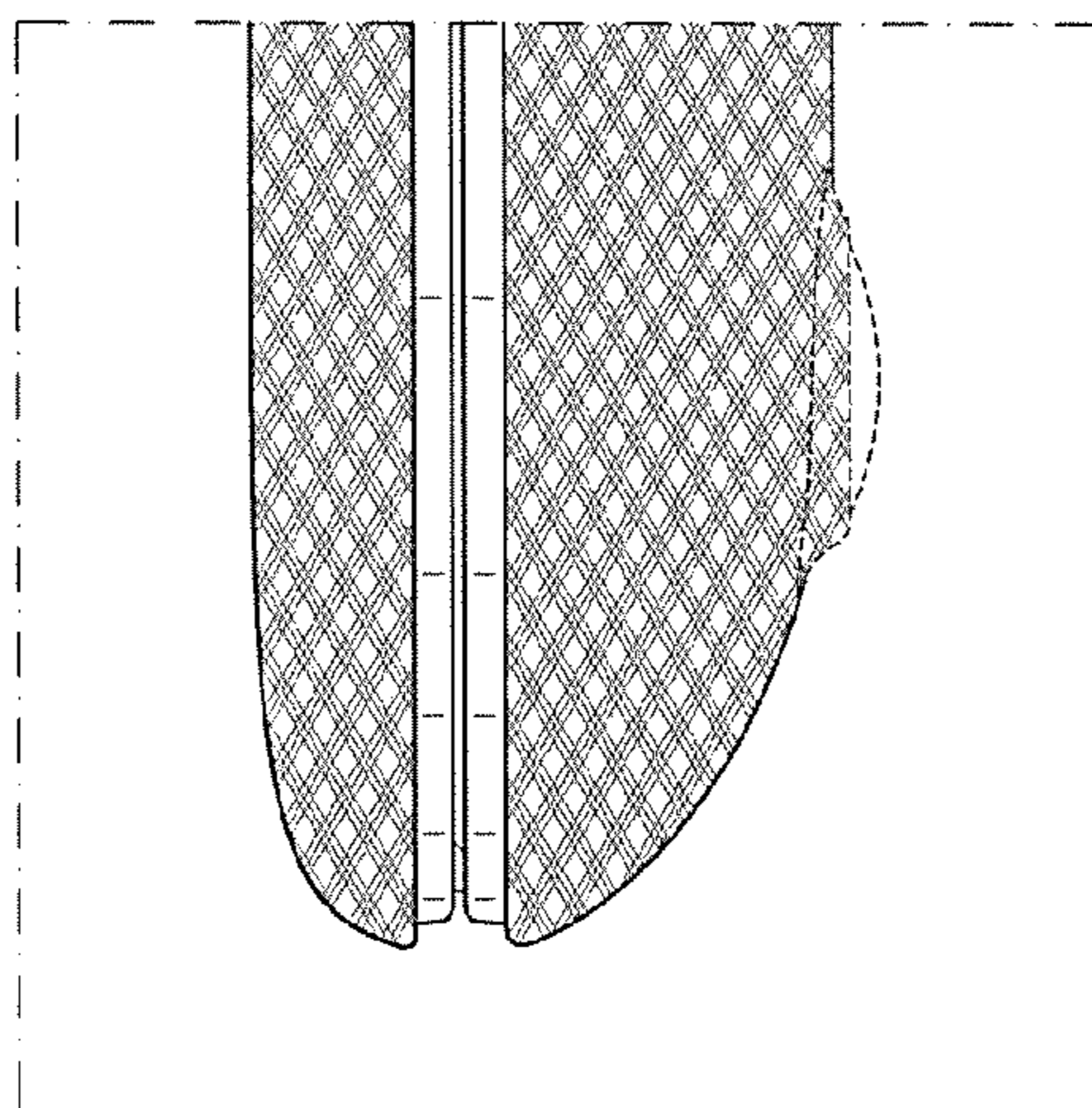


FIG. 20

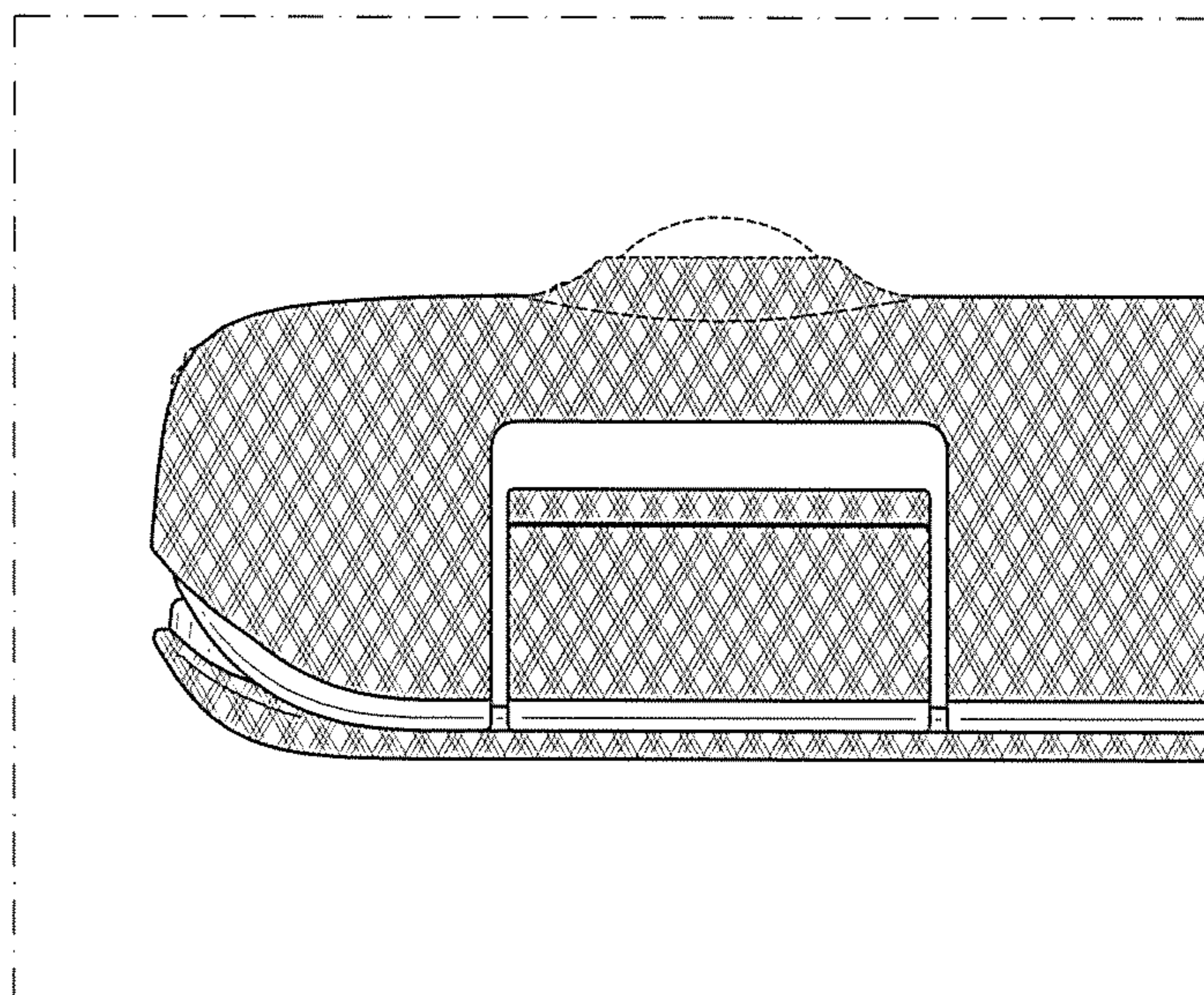


FIG. 21

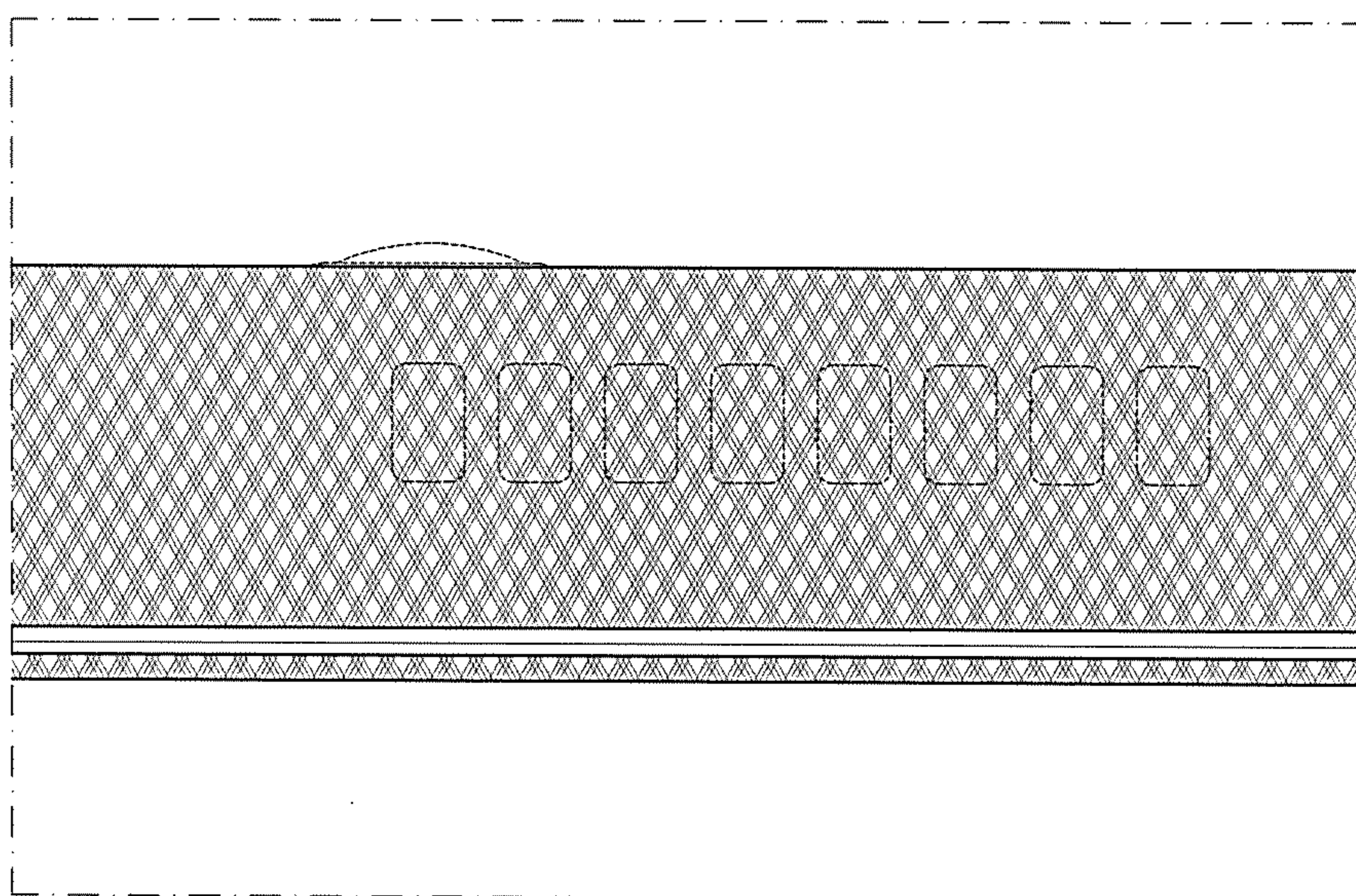


FIG. 22

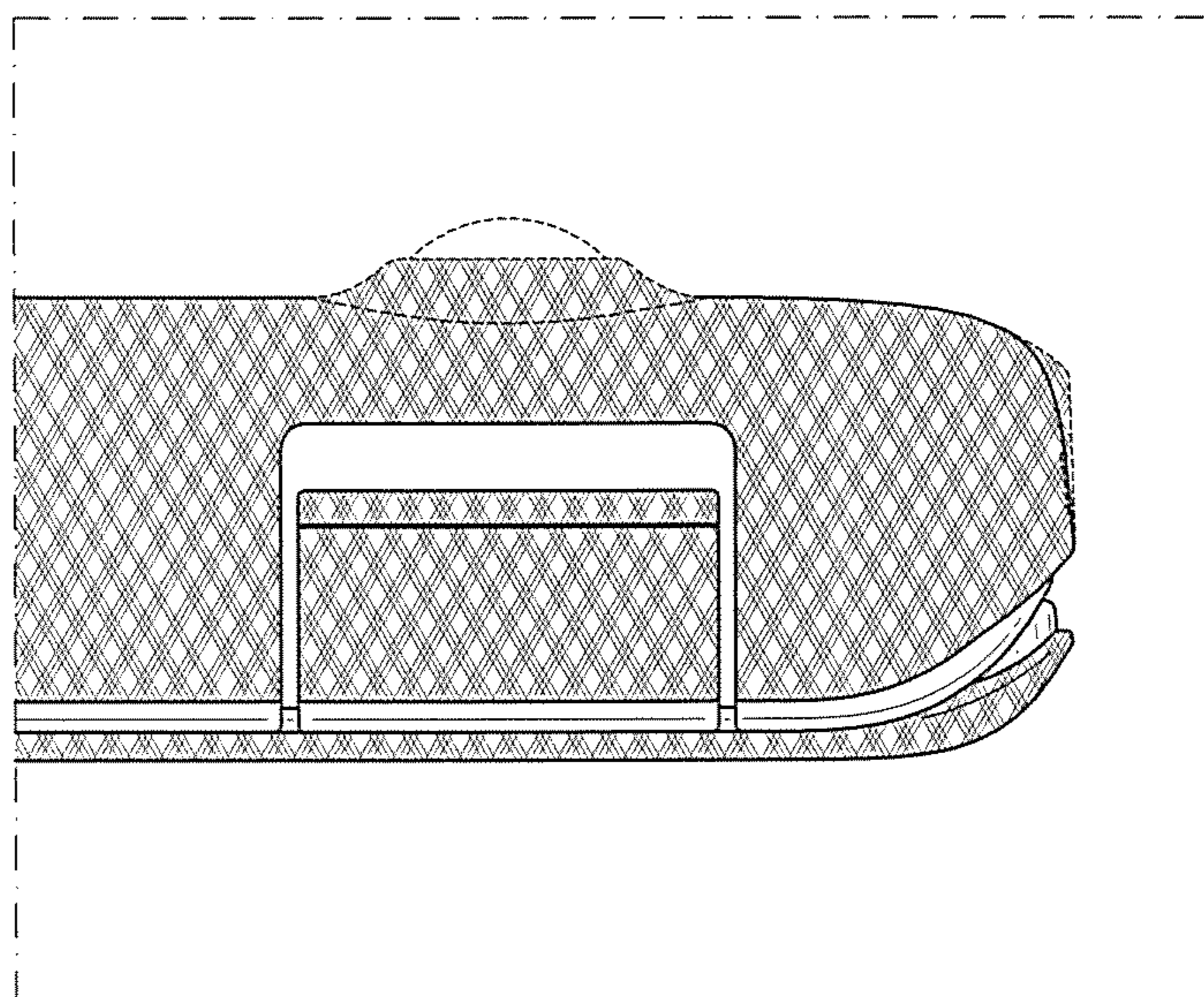


FIG. 23

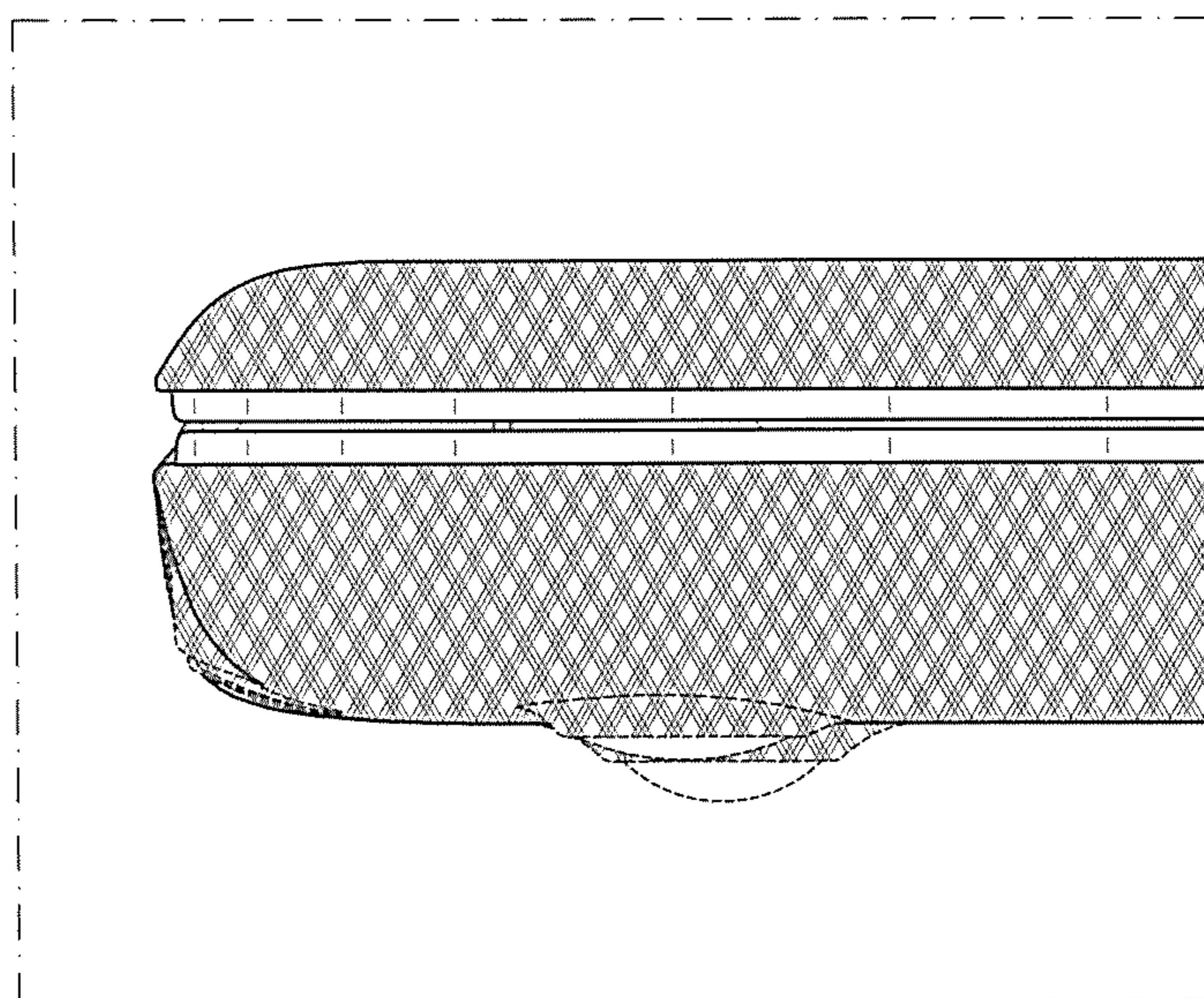


FIG. 24

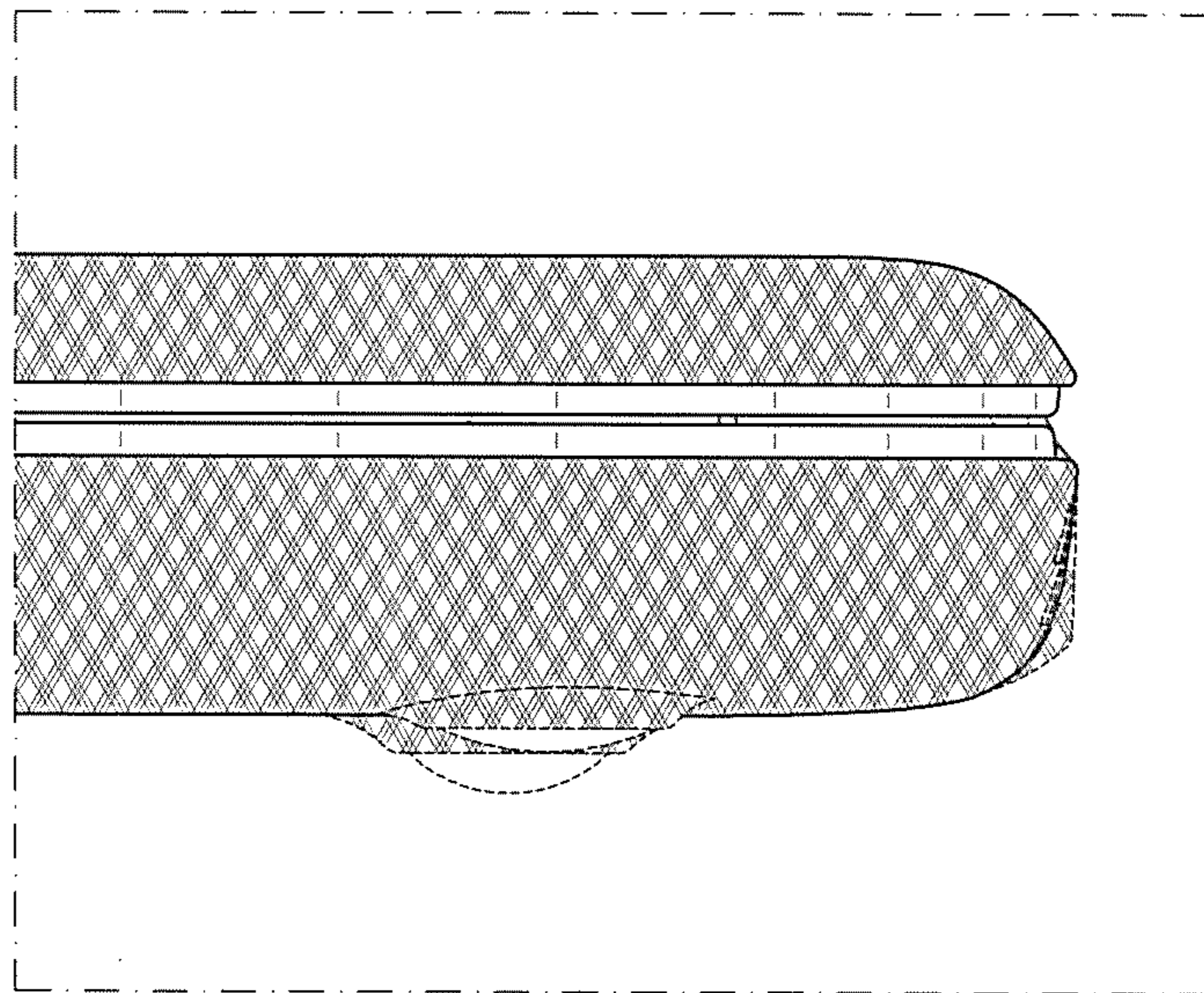


FIG. 25

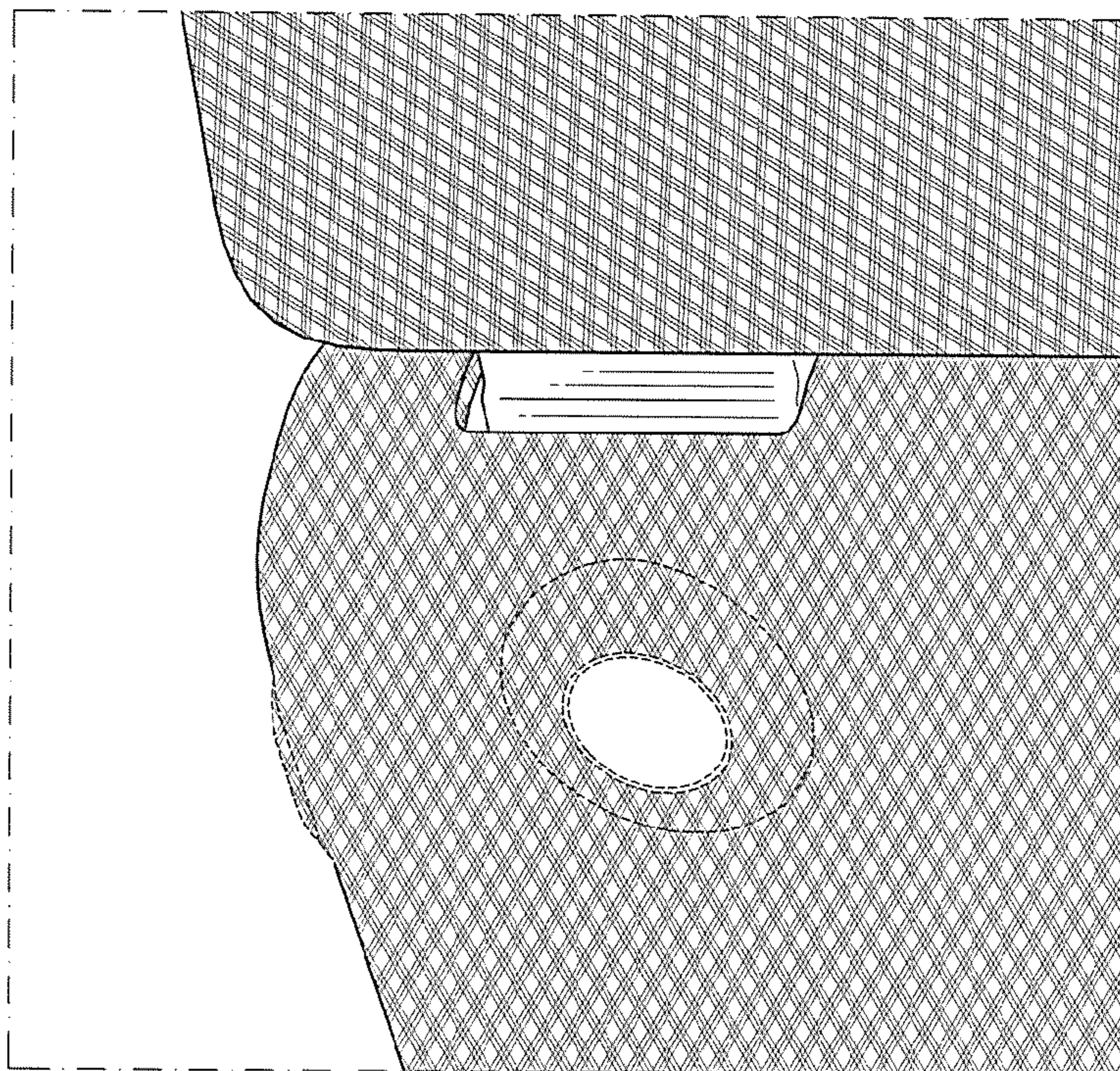


FIG. 26

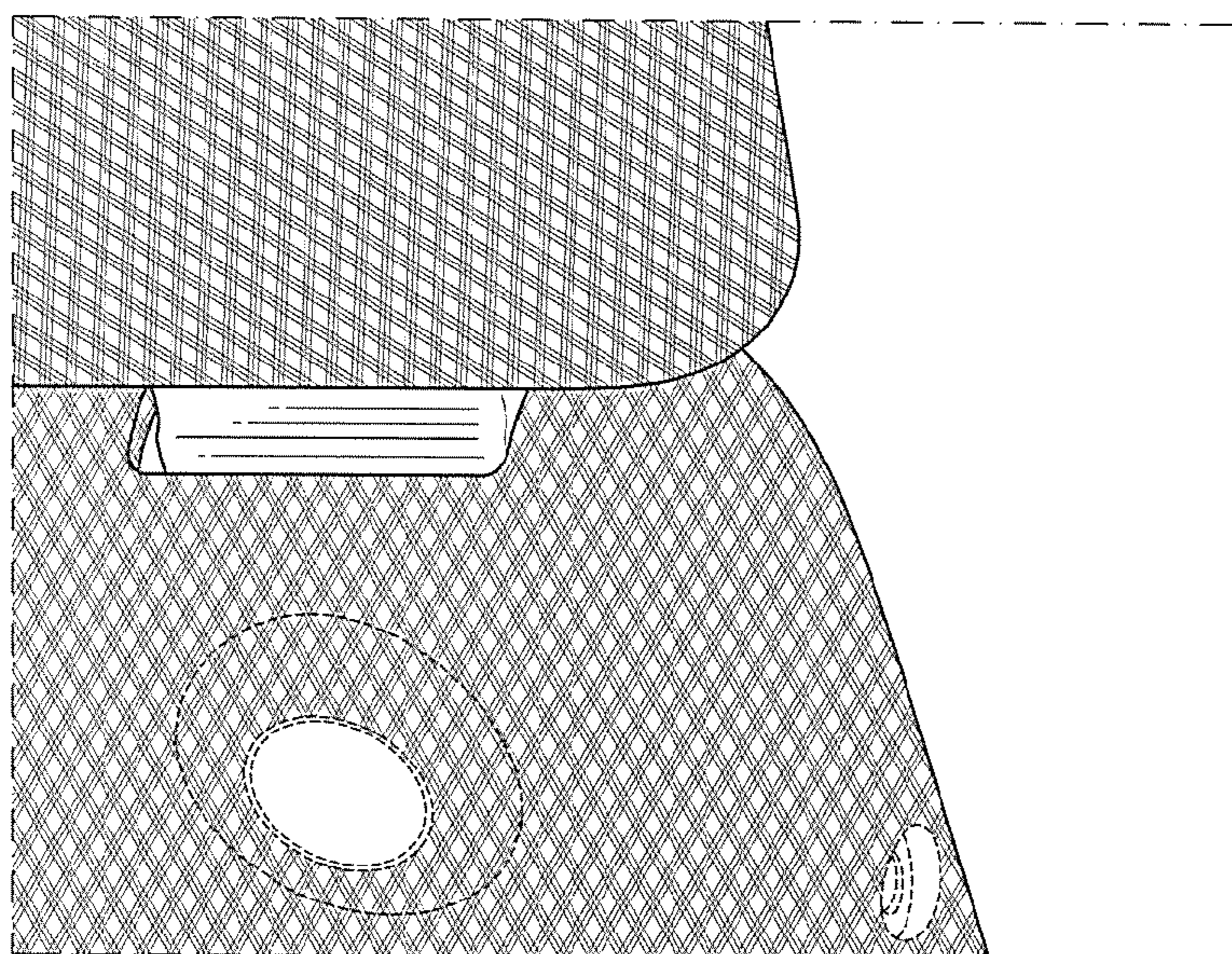


FIG. 27