



US00D767559S

(12) **United States Design Patent**  
**Pfeiffer**

(10) **Patent No.:** **US D767,559 S**

(45) **Date of Patent:** **\*\* \*Sep. 27, 2016**

(54) **SET OF INFORMATION RETRIEVAL EQUIPMENT**

(71) Applicant: **Homag Holzbearbeitungssysteme GmbH, Schopfloch (DE)**

(72) Inventor: **Marcel Pfeiffer, Schopfloch (DE)**

(73) Assignee: **Homag Holzbearbeitungssysteme GMBH, Schopfloch (DE)**

(\*) Notice: This patent is subject to a terminal disclaimer.

(\*\*) Term: **14 Years**

(21) Appl. No.: **29/469,745**

(22) Filed: **Oct. 14, 2013**

(30) **Foreign Application Priority Data**

Apr. 16, 2013 (EM) ..... 002 221 218

(51) **LOC (10) Cl.** ..... **14-02**

(52) **U.S. Cl.**  
USPC ..... **D14/307**

(58) **Field of Classification Search**  
USPC ..... D14/302, 305, 307, 374, 375, 900-902;  
D99/28; D21/325, 324, 369;  
D18/4.1-4.6; 312/208.1; 194/206;  
361/724; D20/10  
CPC ..... H04M 11/00  
See application file for complete search history.

(56) **References Cited**

**U.S. PATENT DOCUMENTS**

4,861,121 A \* 8/1989 Gotz ..... 312/223.3  
D303,439 S \* 9/1989 Savio et al. .... D99/28

D318,553 S \* 7/1991 Brown ..... D99/28  
D378,534 S \* 3/1997 Kato et al. .... D20/10  
D388,229 S \* 12/1997 Couch ..... D99/28  
D389,522 S \* 1/1998 Hesselbach et al. .... D20/10  
D417,440 S \* 12/1999 Wilson ..... D14/374  
6,029,888 A \* 2/2000 Harvey ..... 235/379  
D425,875 S \* 5/2000 Wilson ..... D14/307  
6,078,848 A \* 6/2000 Bernstein et al. .... 700/237  
D436,630 S \* 1/2001 Gonsiorowski et al. .... D20/10  
6,646,863 B1 \* 11/2003 White et al. .... 361/679.2  
D483,761 S \* 12/2003 Berr et al. .... D14/383  
D591,078 S \* 4/2009 Singler et al. .... D6/432  
D626,545 S \* 11/2010 Bleck et al. .... D14/307  
D629,585 S \* 12/2010 Bleck et al. .... D99/28  
8,116,081 B2 \* 2/2012 Crick, Jr. .... 361/724  
D696,658 S \* 12/2013 Winston et al. .... D14/307

\* cited by examiner

*Primary Examiner* — Paula Greene

(74) *Attorney, Agent, or Firm* — LaRiviere, Grubman PC

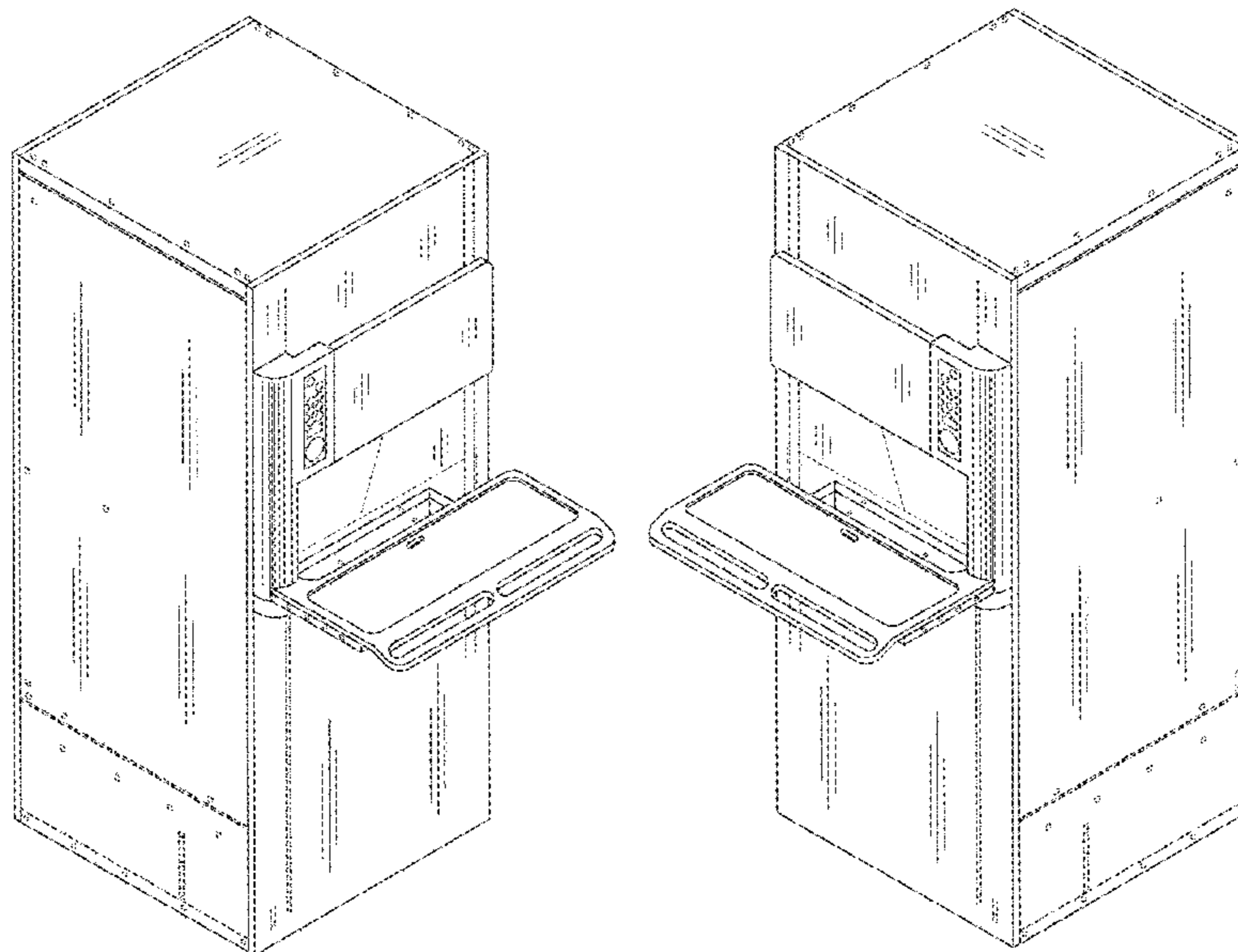
(57) **CLAIM**

The ornamental design for a set of information retrieval equipment, as shown and described.

**DESCRIPTION**

FIG. 1 is a perspective view of a set of information retrieval equipment, showing our design;  
FIG. 2 is a front view thereof;  
FIG. 3 is a rear view thereof;  
FIG. 4 is a top view thereof;  
FIG. 5 is a side view thereof;  
FIG. 6 is an opposing side view thereof; and,  
FIG. 7 is a perspective view of a second embodiment thereof which is a mirror image of the set of information retrieval equipment shown in FIGS. 1 through 6.  
The broken lines showing the environment are for illustrative purposes only and form no part of the claimed design.

**1 Claim, 7 Drawing Sheets**



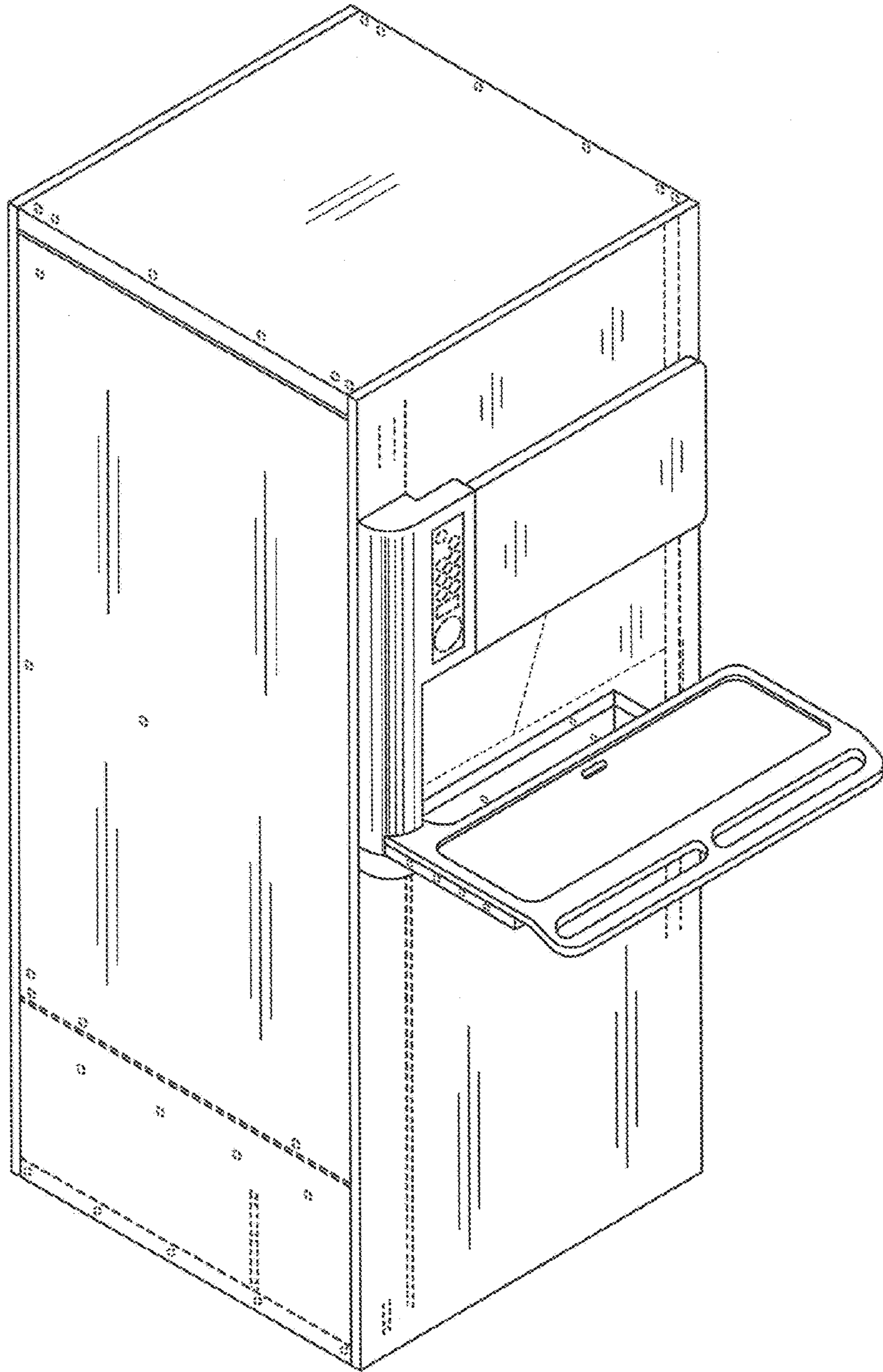


Figure 1

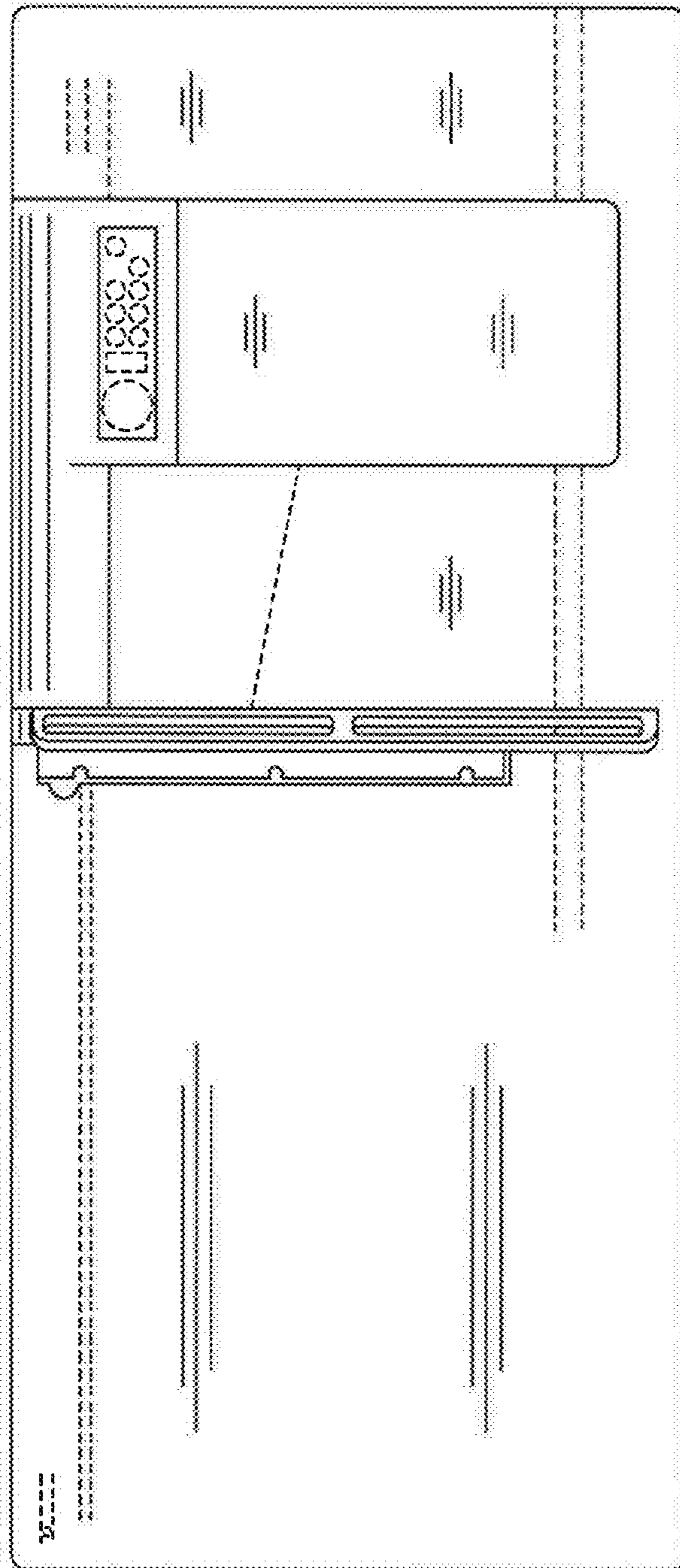


Figure 2

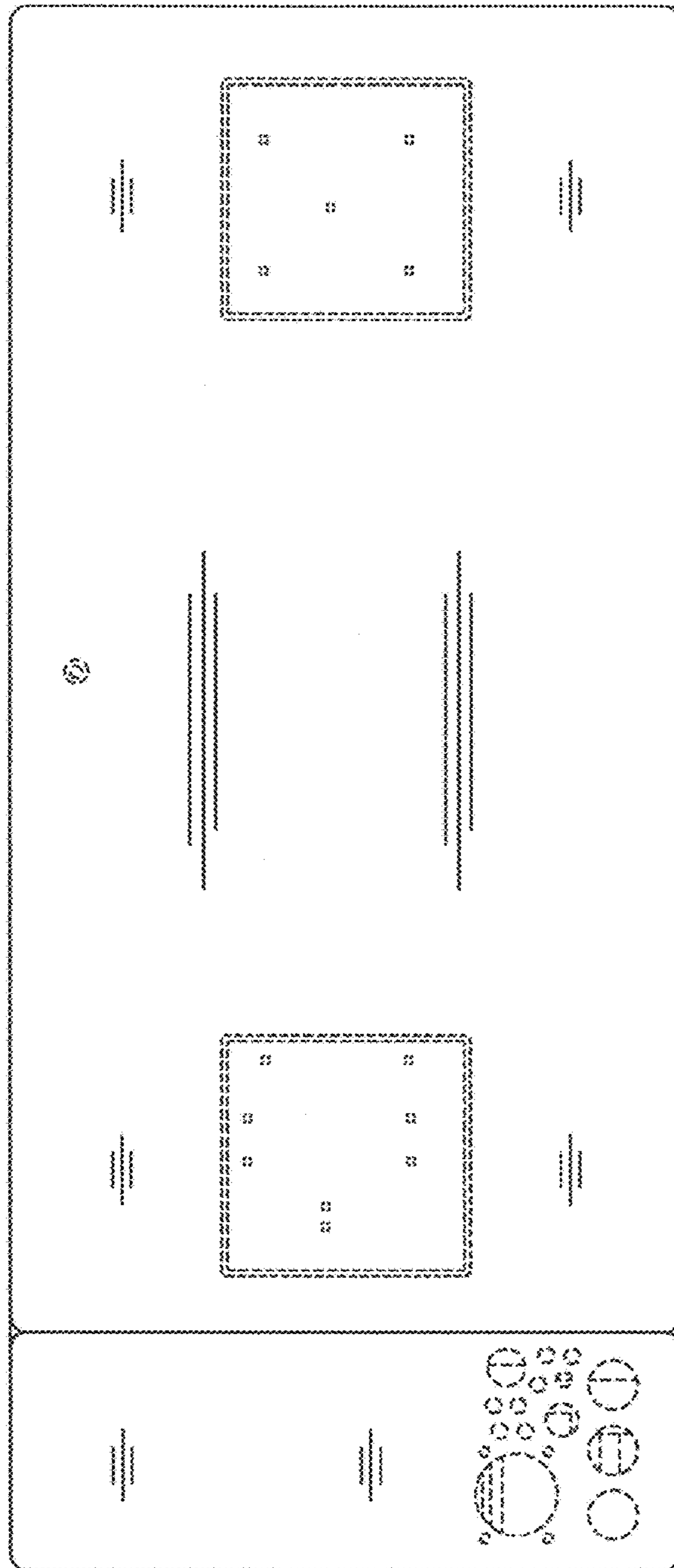


Figure 3

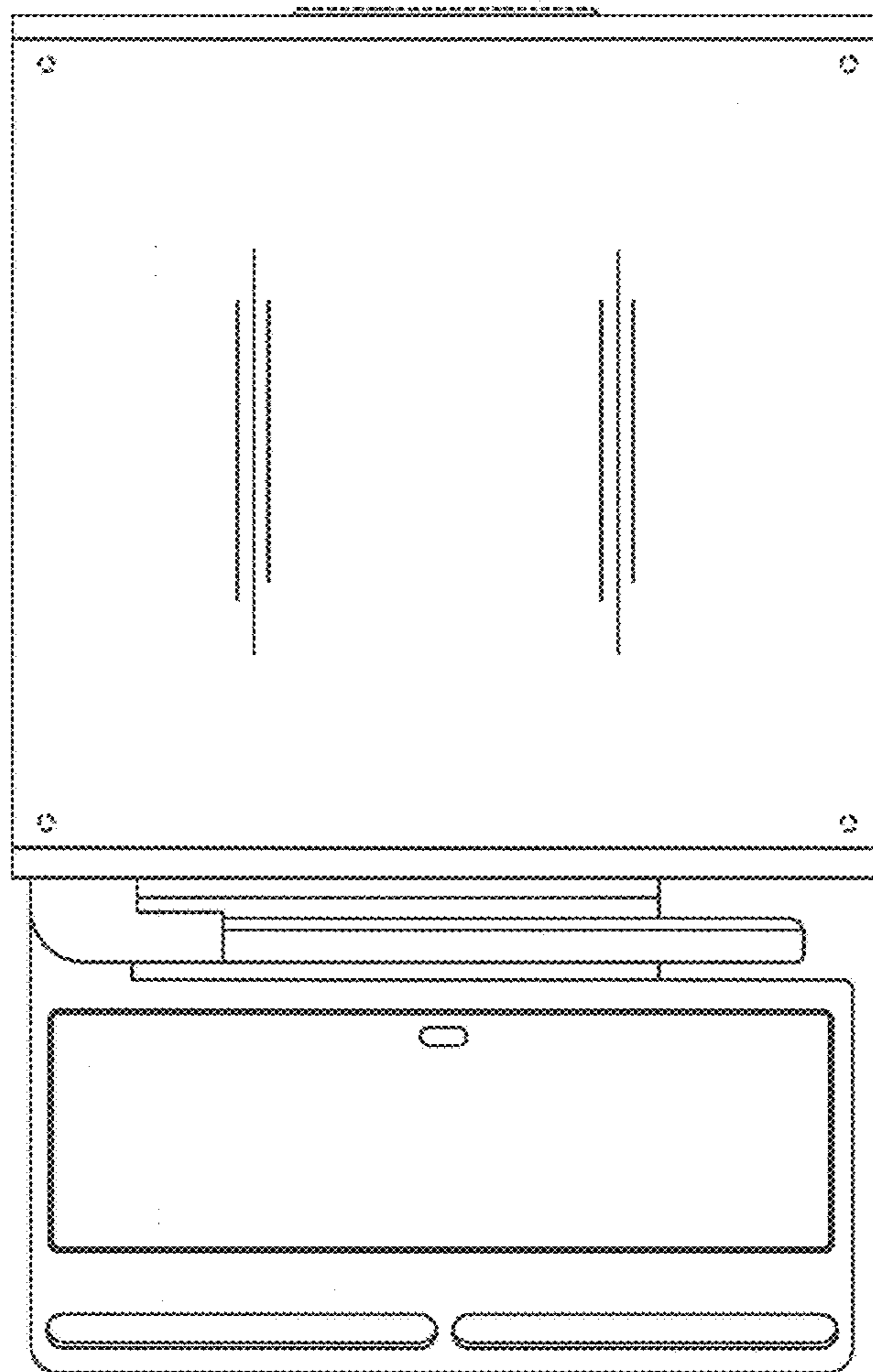


Figure 4

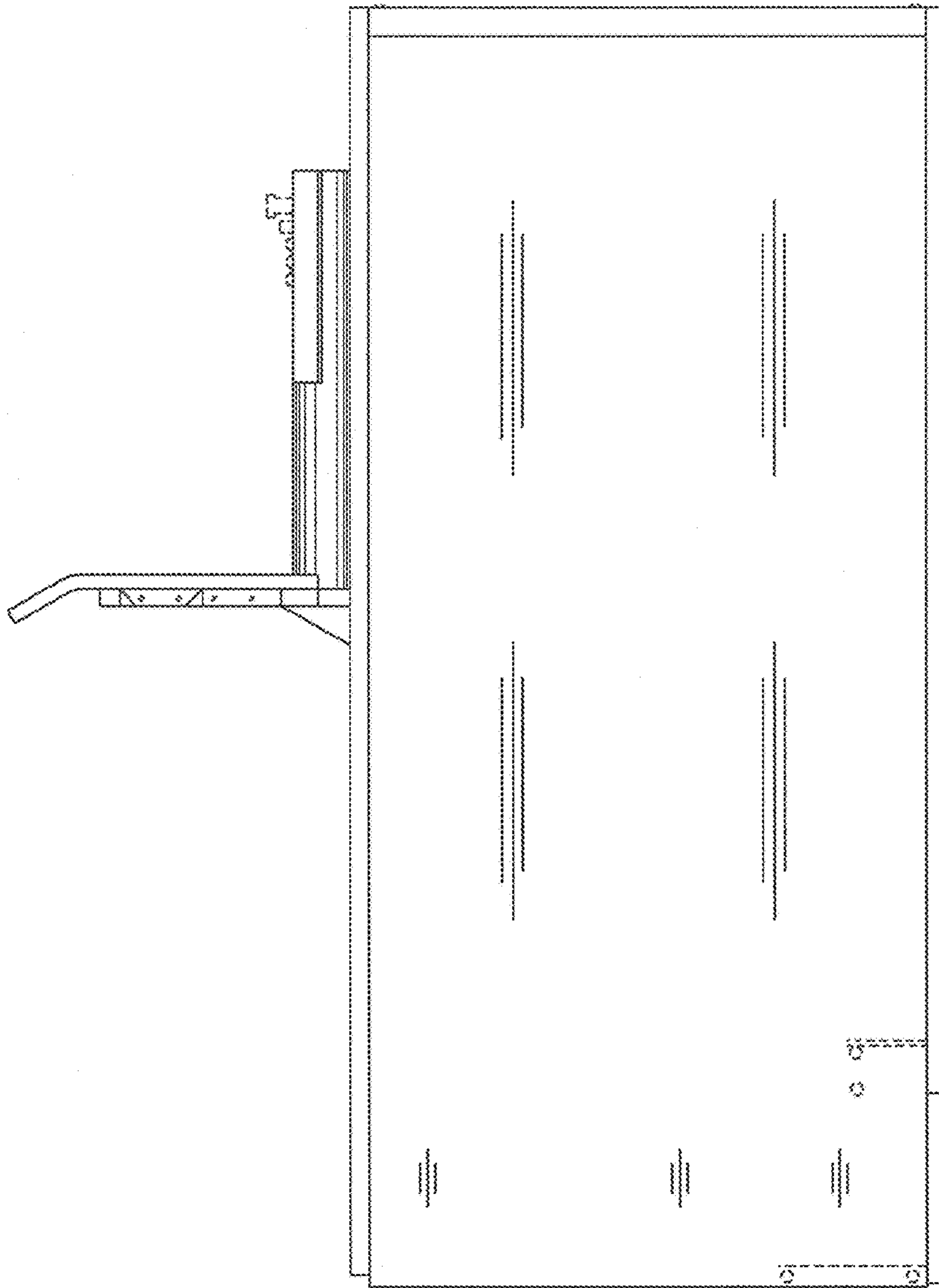


Figure 5

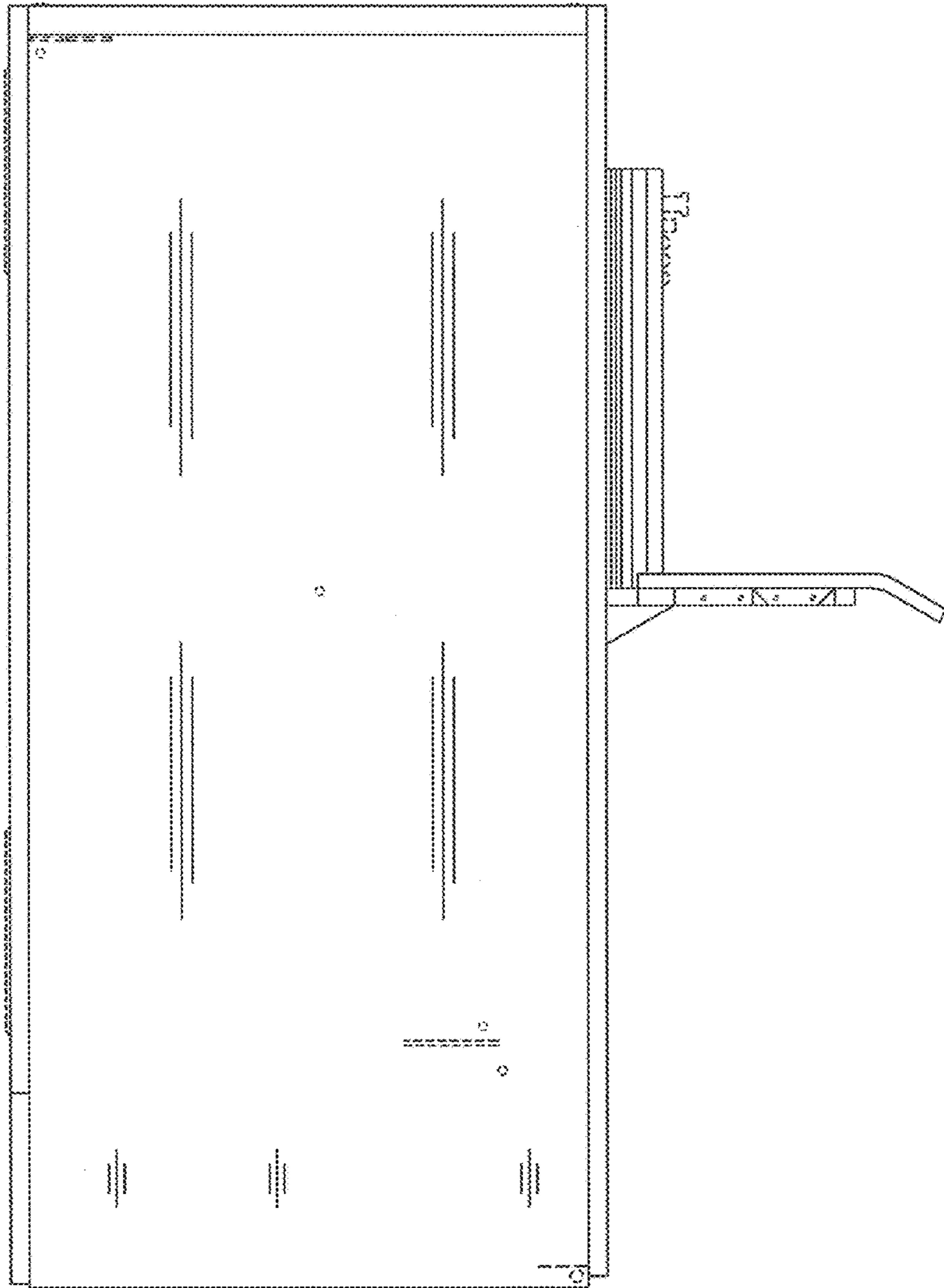


Figure 6

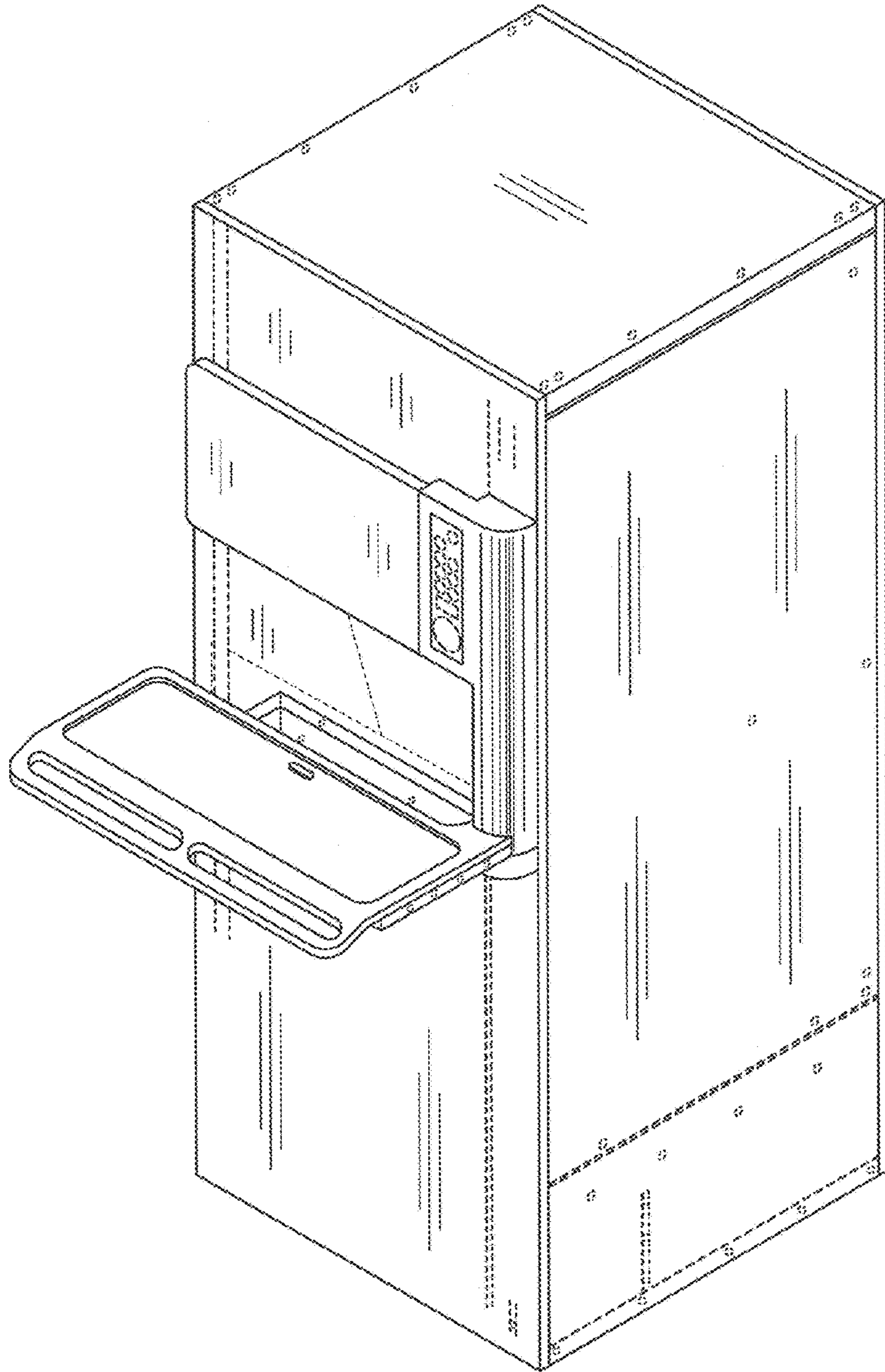


Figure 7