

US00D767558S

(12) **United States Design Patent**
Paglione et al.

(10) **Patent No.:** **US D767,558 S**

(45) **Date of Patent:** **** Sep. 27, 2016**

(54) **COMPUTER WORKSTATION**

(71) Applicants: **Vincent Paglione**, Plainfield, IL (US);
Brian Keith Ellison, Chicago, IL (US);
Marcio Caballero de Carranza Dupont, Sao Paulo (BR); **Bradley Kang**, Chicago, IL (US)

(72) Inventors: **Vincent Paglione**, Plainfield, IL (US);
Brian Keith Ellison, Chicago, IL (US);
Marcio Caballero de Carranza Dupont, Sao Paulo (BR); **Bradley Kang**, Chicago, IL (US)

(**) Term: **15 Years**

(21) Appl. No.: **29/531,885**

(22) Filed: **Jun. 30, 2015**

(51) **LOC (10) Cl.** **14-02**

(52) **U.S. Cl.**
USPC **D14/305; D6/655.21**

(58) **Field of Classification Search**
USPC D14/304, 305; D6/641-643, 655.21,
D6/653.16, 653.17, 653.19, 653.21,
D6/653.22, 653.23, 656.15
CPC A47B 13/16; A47B 37/00; A47B 21/00;
A47B 21/0314; A47B 21/0073; A47B
21/0076; A47B 3/02; A47B 83/02; A47B
21/007; A47B 7/02

See application file for complete search history.

(56) **References Cited**

U.S. PATENT DOCUMENTS

D257,145 S * 9/1980 Soda D14/305
5,290,099 A * 3/1994 Lechman A47B 21/007
108/107

6,076,473 A * 6/2000 Conte A47B 21/00
108/50.01
6,553,919 B1 * 4/2003 Nevin A47B 21/0073
108/25
D474,920 S * 5/2003 Holt D14/304
6,609,465 B2 * 8/2003 Kolavo A47B 21/0073
108/50.01
6,820,562 B2 * 11/2004 Zodnik A47B 7/02
108/50.01
D510,821 S * 10/2005 Madison D6/655.21
D532,990 S * 12/2006 Sapp D14/305
8,953,308 B2 * 2/2015 Riley A47B 21/0073
312/235.2

* cited by examiner

Primary Examiner — Freda S Nunn

(74) *Attorney, Agent, or Firm* — Dunlap Bennett & Ludwig PLLC

(57) **CLAIM**

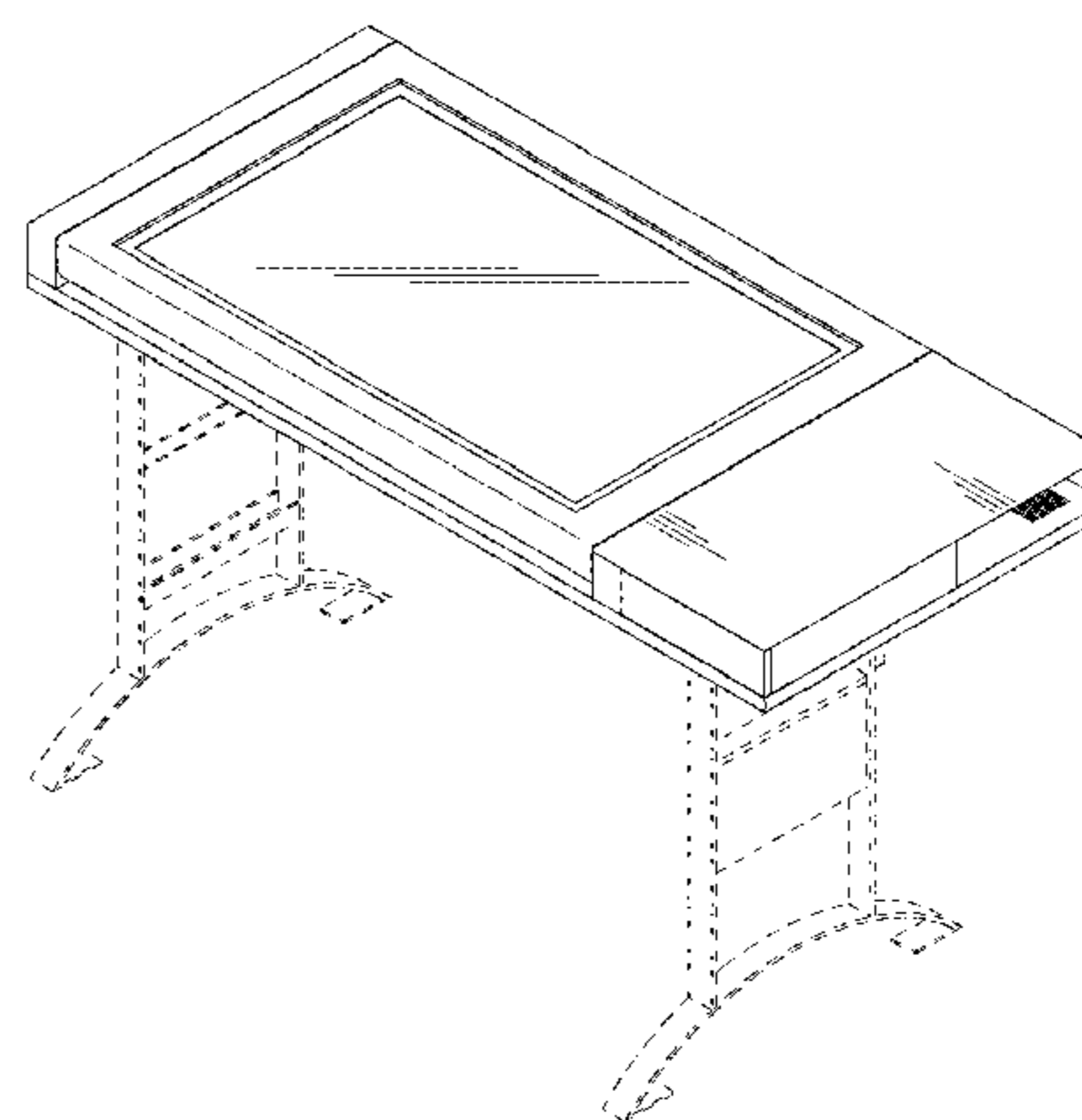
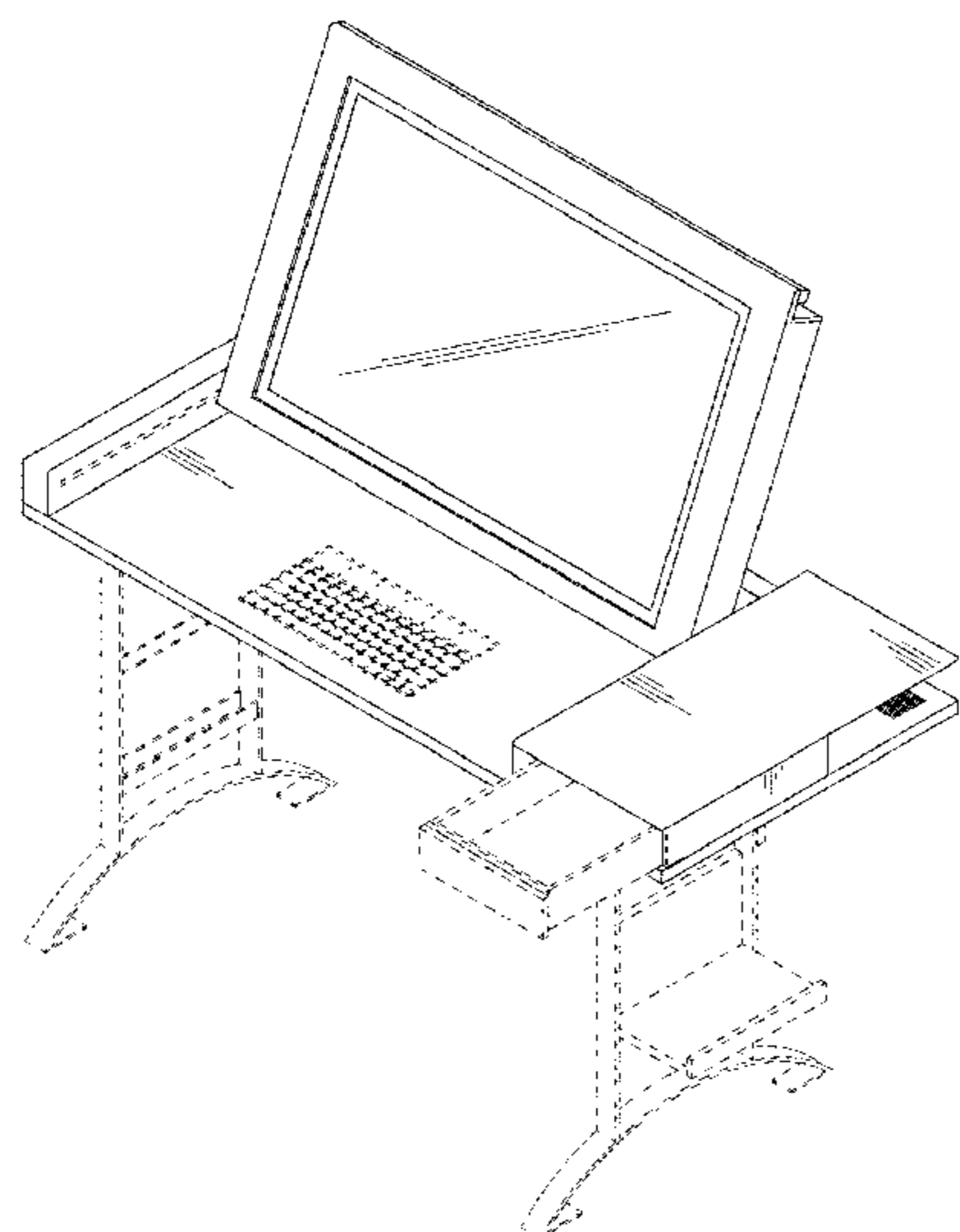
The ornamental design for a computer workstation, as shown and described.

DESCRIPTION

FIG. 1 is a front perspective view of a computer workstation, shown in an open configuration;
FIG. 2 is a front perspective view of the computer workstation, shown in a closed configuration
FIG. 3 is a front elevation view of FIG. 2;
FIG. 4 is a rear elevation view of FIG. 2;
FIG. 5 is a left side elevation view of FIG. 2;
FIG. 6 is a right side elevation view of FIG. 2;
FIG. 7 is a top plan view of FIG. 2; and,
FIG. 8 is a bottom plan view of FIG. 2.

The broken lines shown in the drawings illustrate portions of the computer workstation that form no part of the claimed design.

1 Claim, 3 Drawing Sheets



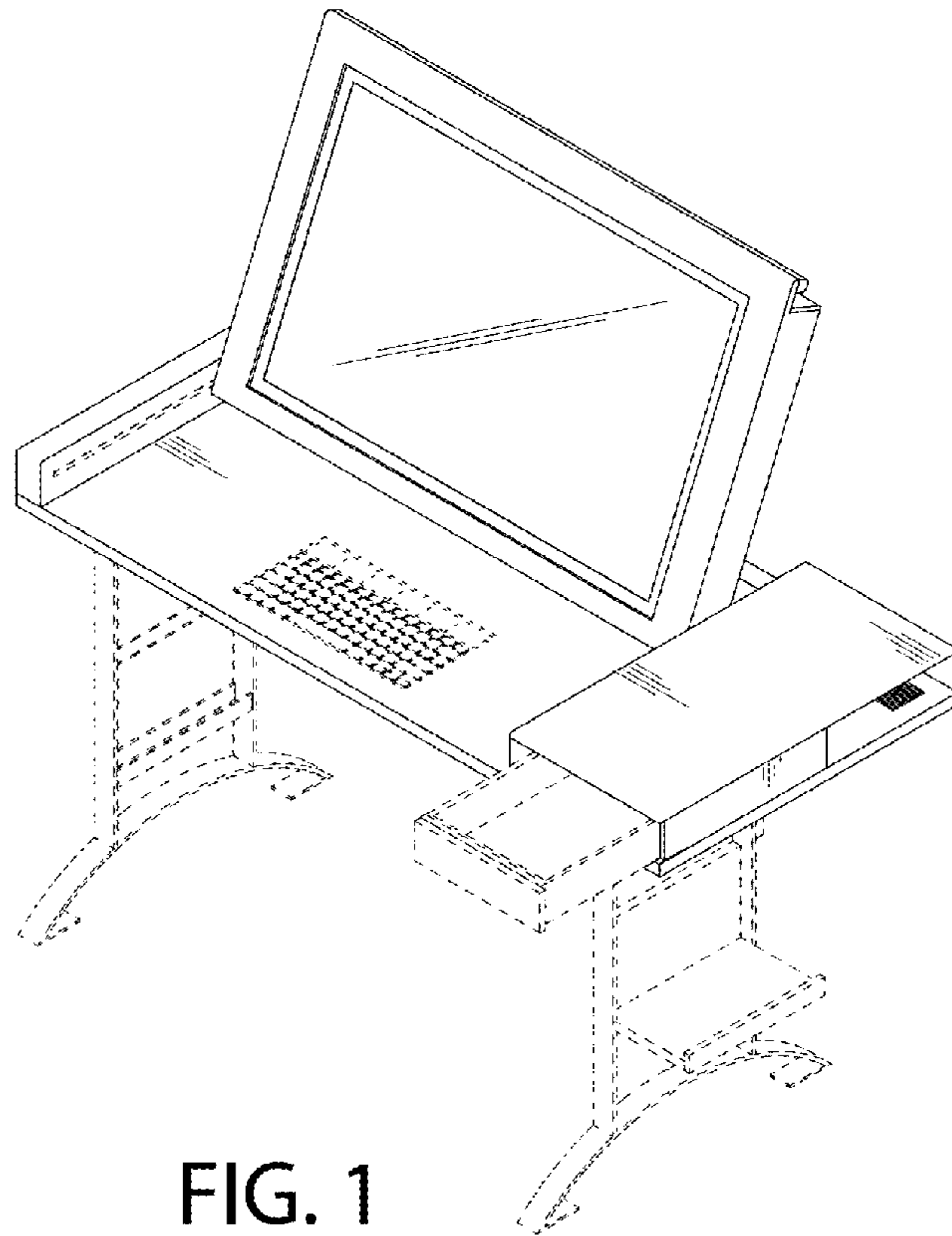


FIG. 1

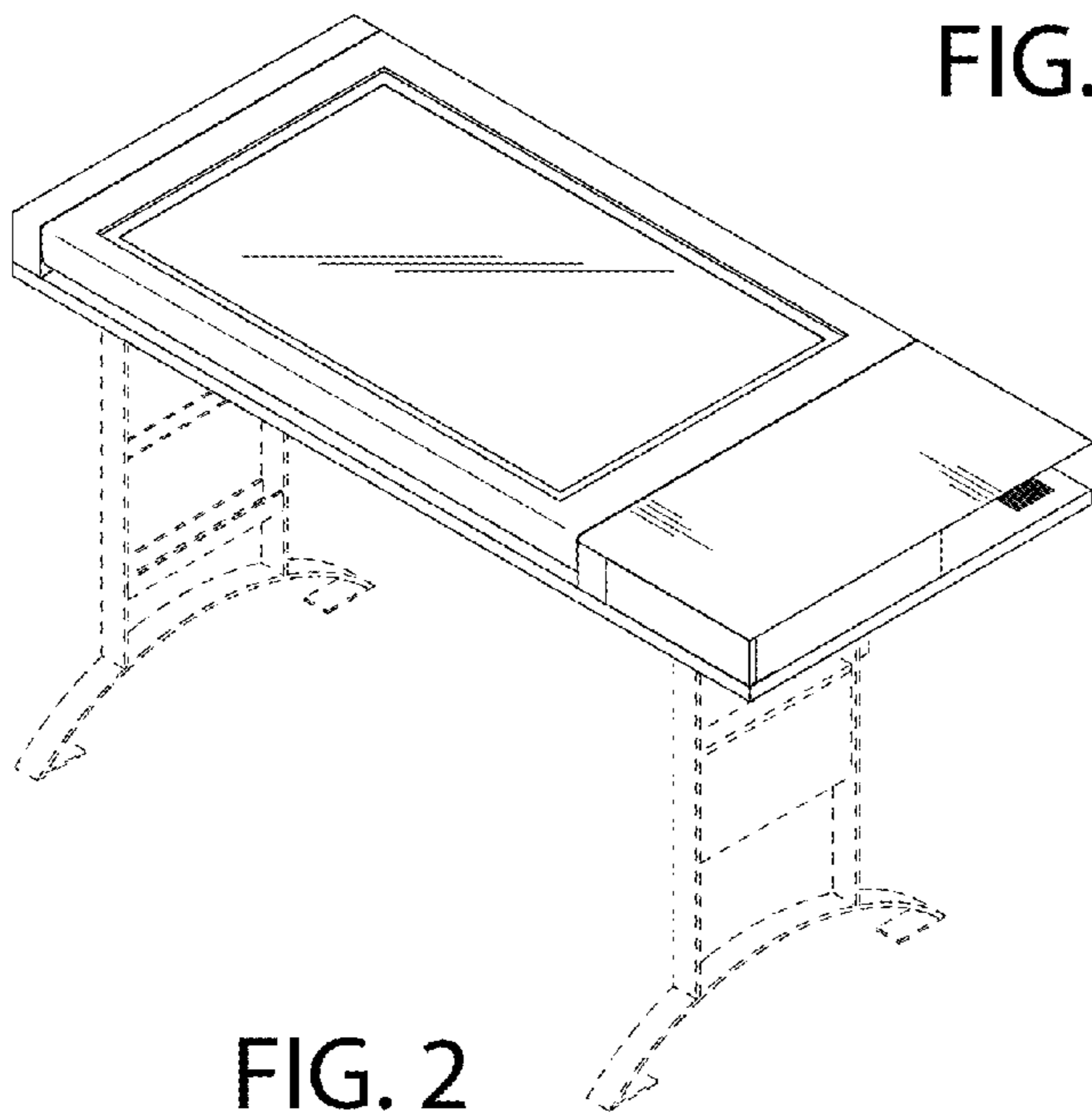


FIG. 2

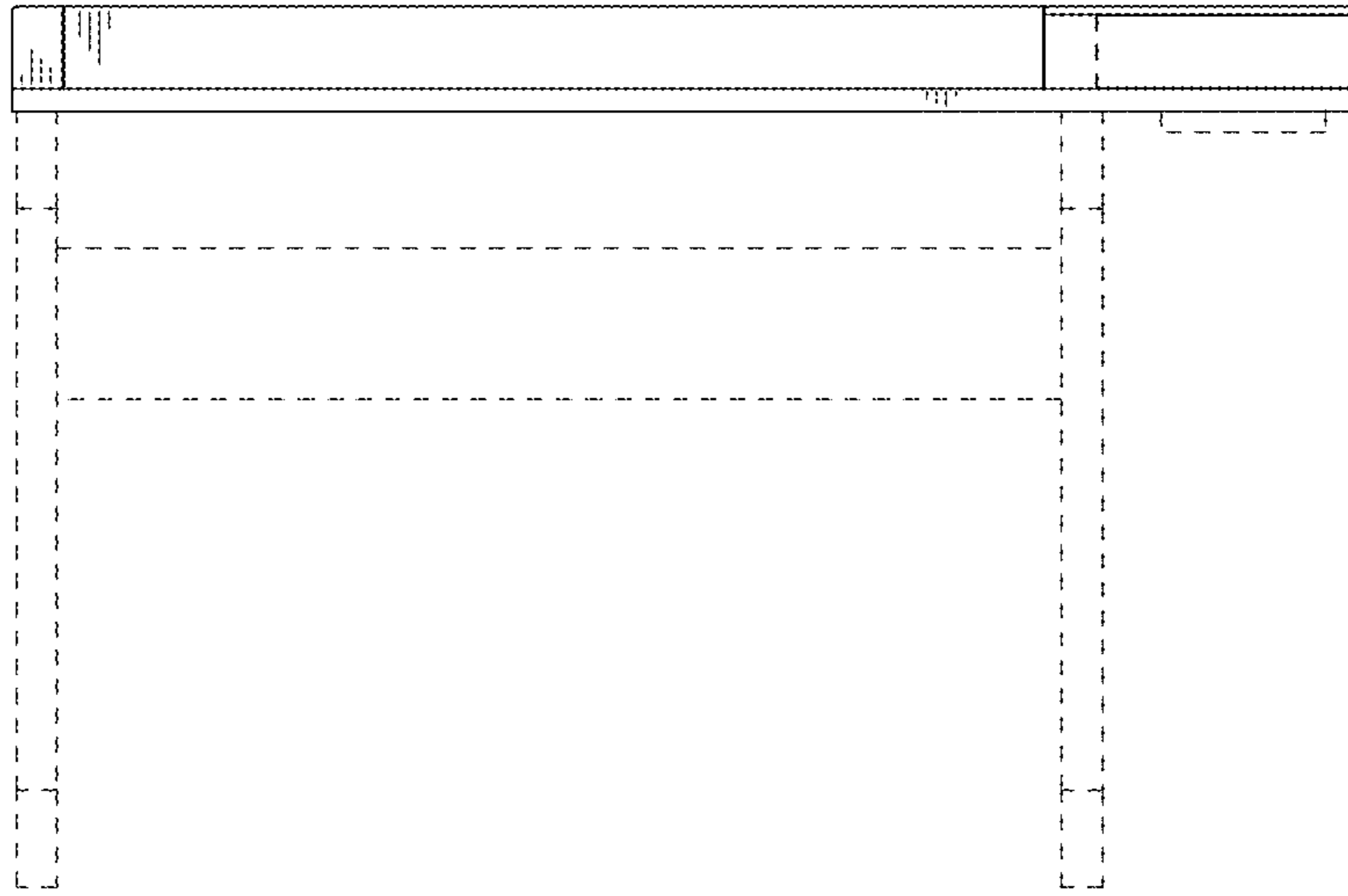


FIG. 3

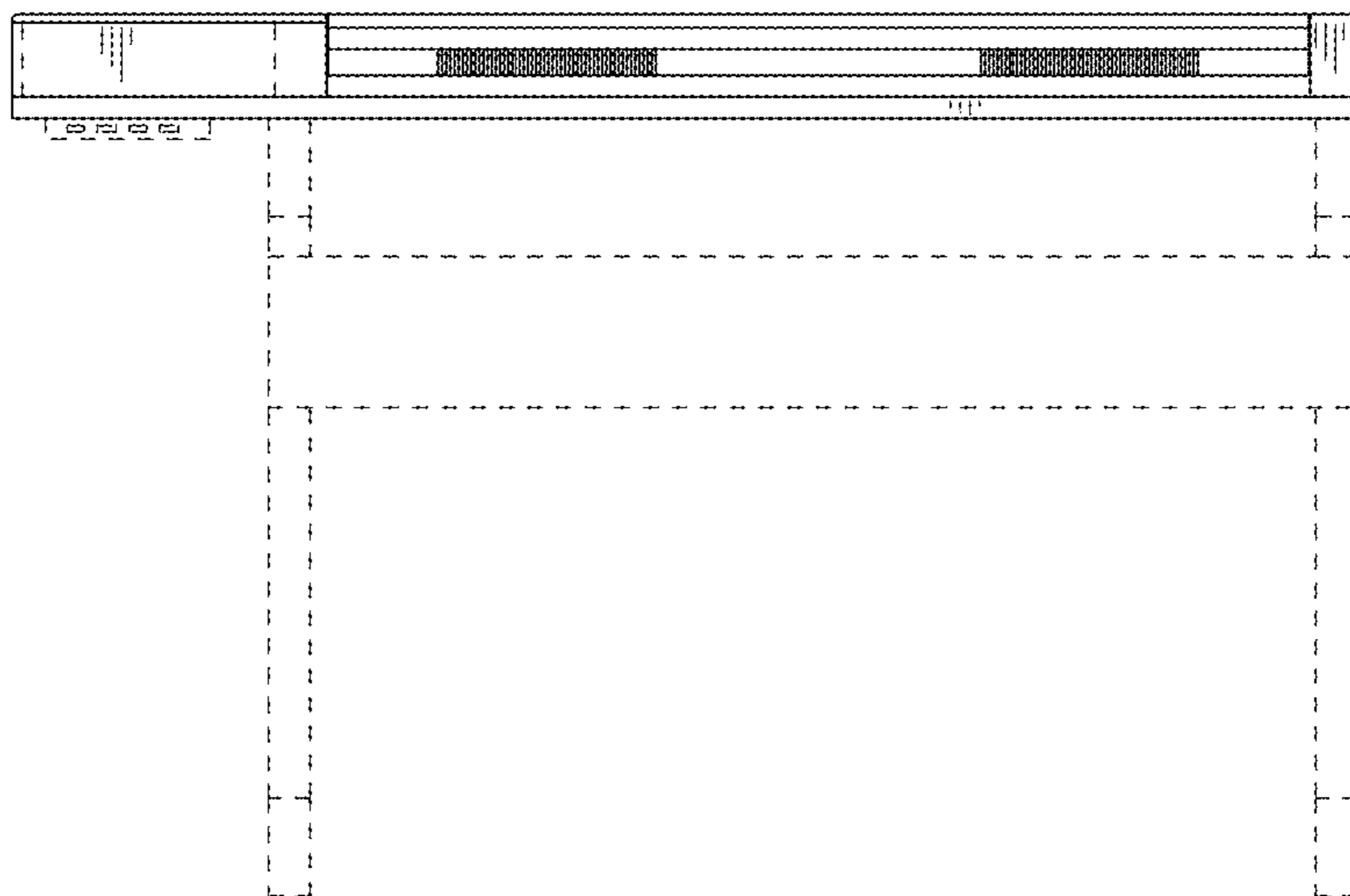


FIG. 4

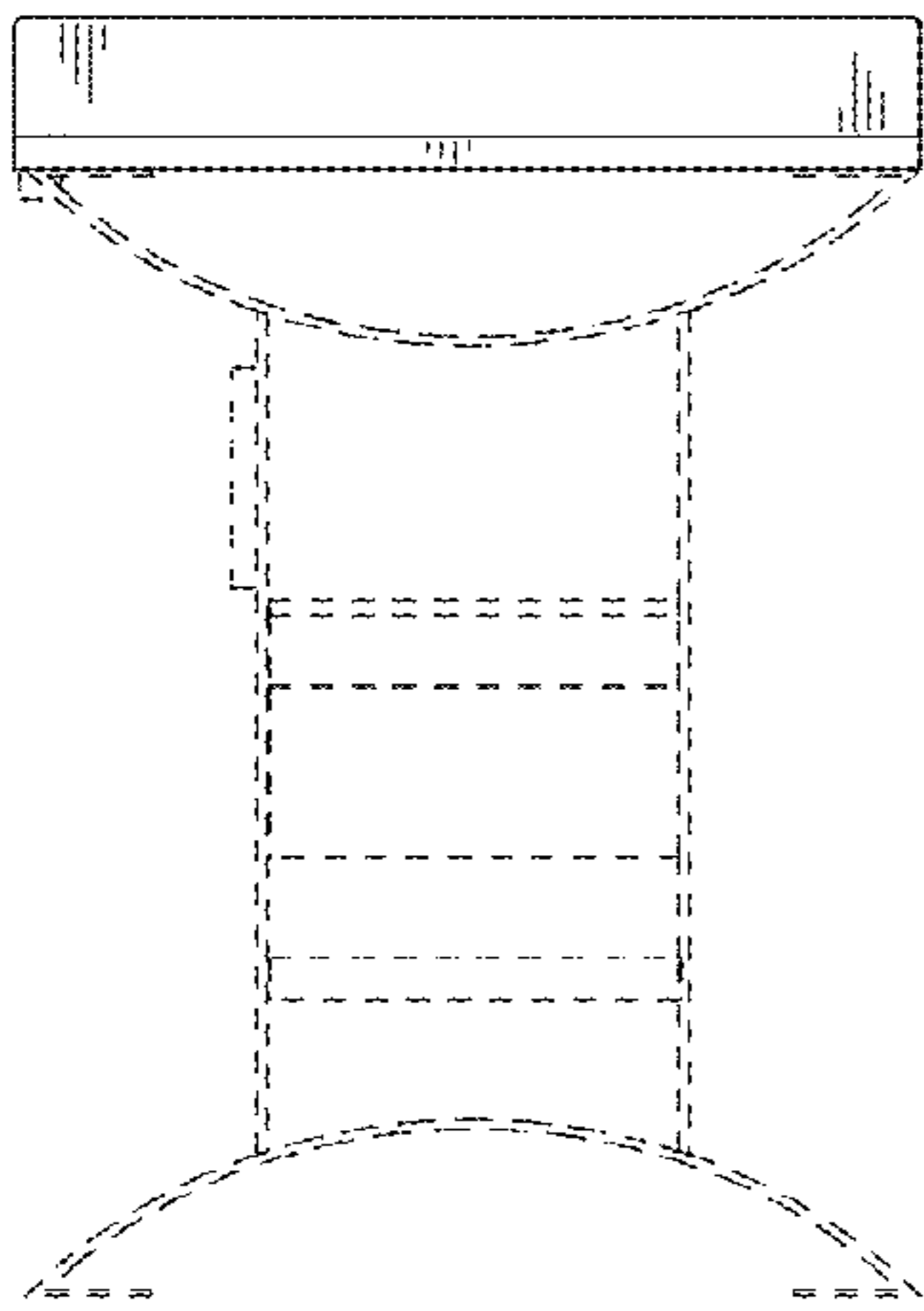


FIG. 5

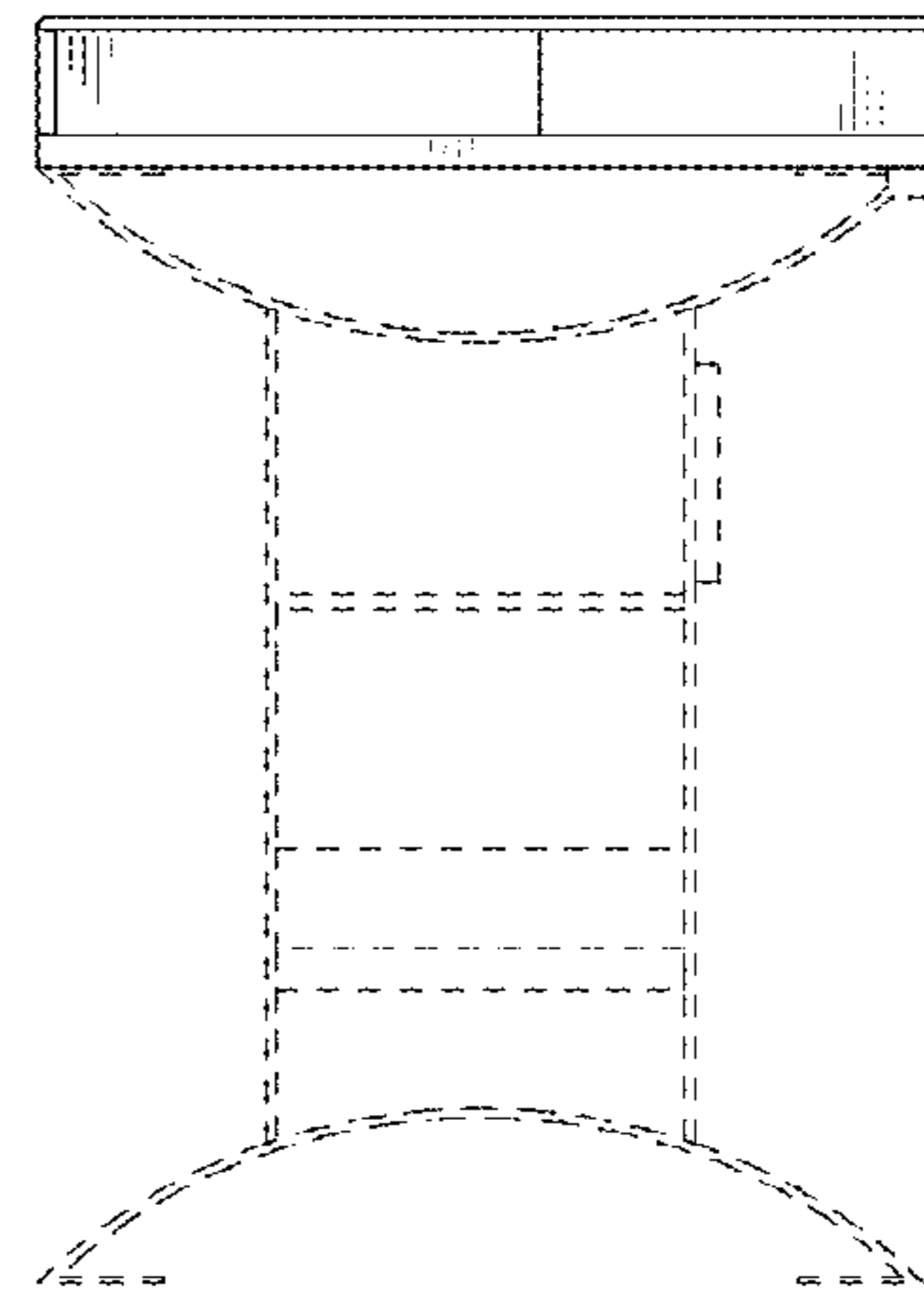


FIG. 6

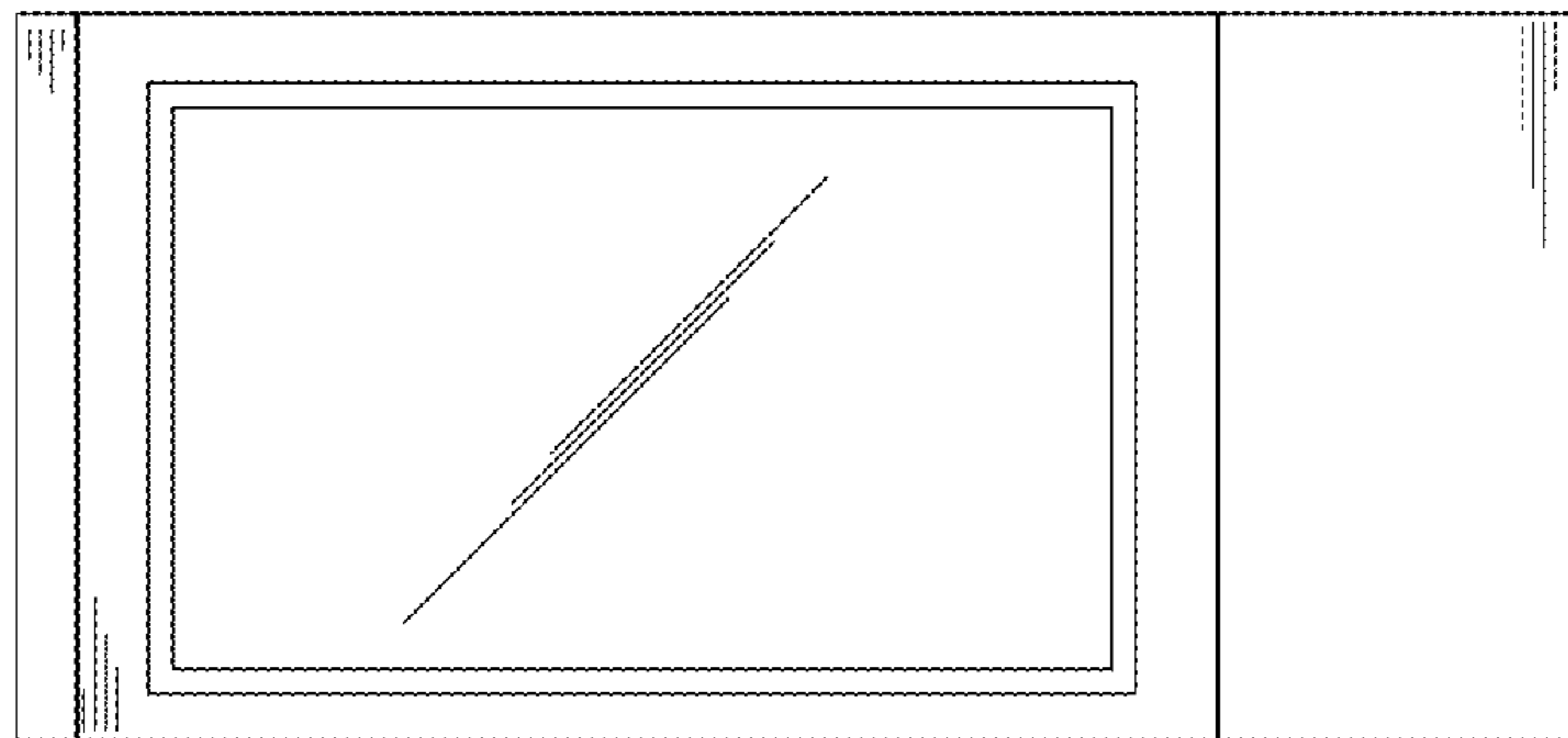


FIG. 7

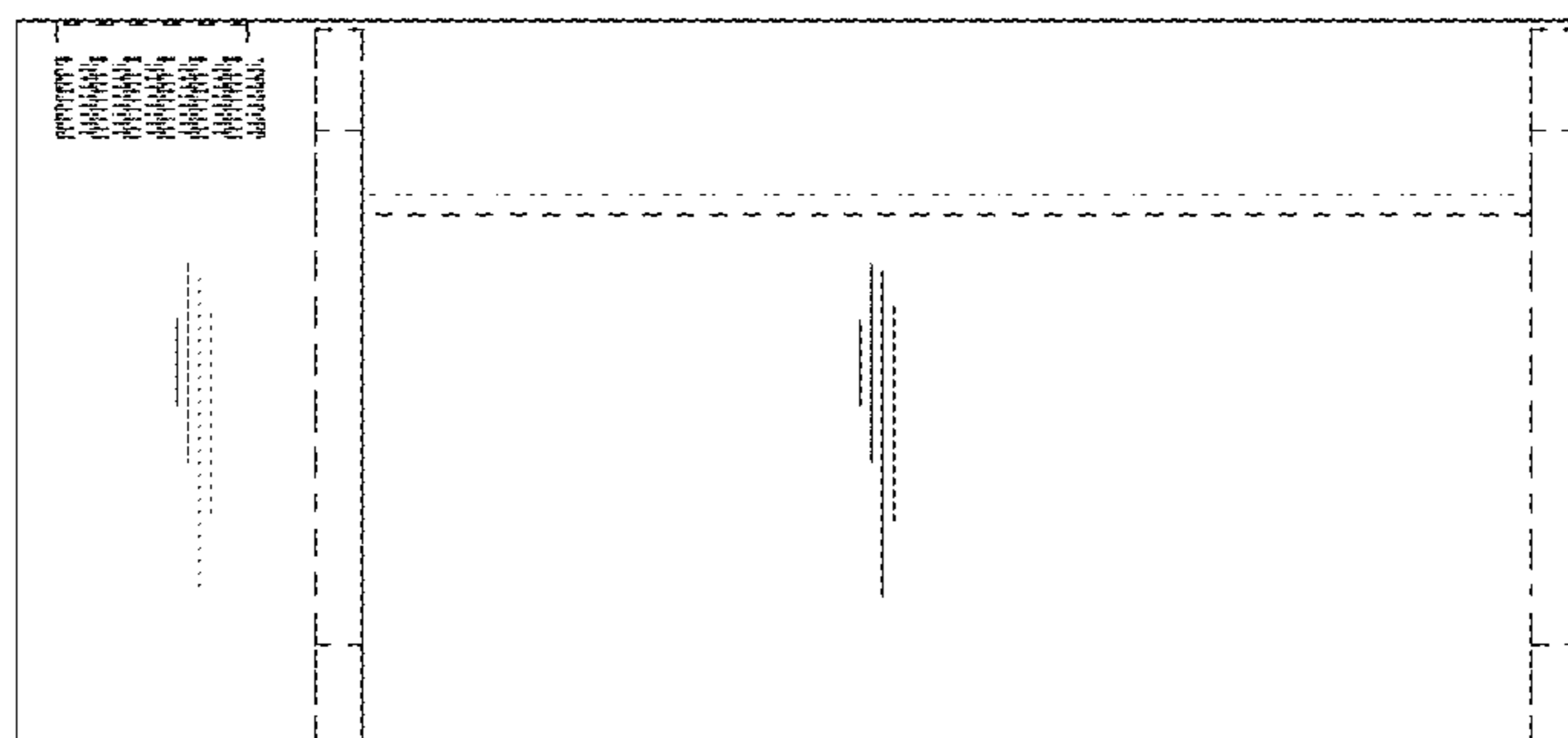


FIG. 8