



US00D767556S

(12) **United States Design Patent** (10) **Patent No.:** **US D767,556 S**  
**Lee** (45) **Date of Patent:** **\*\* Sep. 27, 2016**

(54) **SMART PHONE HOLDER**

(71) Applicant: **Tone Layout LLC**, East Rutherford, NJ (US)

(72) Inventor: **Dongyeob Lee**, Bucheon-si (KR)

(73) Assignee: **Tone Layout LLC**, East Rutherford, NJ (US)

(\*\*) Term: **15 Years**

(21) Appl. No.: **29/534,575**

(22) Filed: **Jul. 29, 2015**

(51) **LOC (10) Cl.** ..... **14-03**

(52) **U.S. Cl.**  
USPC ..... **D14/253**; D12/415

(58) **Field of Classification Search**  
USPC ..... D14/253, 251, 252, 447, 451, 452, 440, D14/434, 458, 432, 439, 457, 460, 238.1, D14/140, 142, 149, 217, 148, 140.8, 140.11, D14/209.1, 151, 140.9, 250, 238; D13/107, D13/108; D12/415, 223, 114, 420, 417, D12/407, 177; D3/218; D16/242-245, 250, D16/237, 203, 214, 219; D8/349; D6/675, D6/672, 673, 675.4, 553, 676, 310, 406.3, D6/406.4, 406.5, 406.6, 407, 567, 300, D6/682.3; 248/459, 460; 224/483  
CPC ..... B60R 2011/0008; B60R 11/02; B60R 11/0241; B60R 11/0258; B60R 11/0252; B60R 2011/0294; F16M 11/00; F16M 11/04; F16M 11/041; F16M 11/02; F16M 11/06; F16M 13/00; H04M 1/02; H04M 1/04; H04M 1/11; H04M 1/12; A47F 7/022; B62J 11/00; H05K 7/00; G03B 17/56

See application file for complete search history.

(56) **References Cited**

U.S. PATENT DOCUMENTS

D690,707	S	*	10/2013	Minn	.....	D14/447
D696,241	S	*	12/2013	Paugh	.....	D14/253
D716,215	S	*	10/2014	Dunn	.....	D12/415
D720,759	S	*	1/2015	Deng	.....	D14/447
D726,175	S	*	4/2015	Tsai	.....	D12/415
D733,115	S	*	6/2015	Aspinall	.....	D14/253
D750,612	S	*	3/2016	Chen	.....	D14/253
D753,643	S	*	4/2016	Kim	.....	D14/253
D756,987	S	*	5/2016	Taing	.....	D14/253
2011/0163143	A1	*	7/2011	Zanetti	.....	B60R 11/02 224/567
2014/0103087	A1	*	4/2014	Fan	.....	B60R 11/02 224/544
2014/0138419	A1	*	5/2014	Minn	.....	B60R 11/0241 224/567
2015/0028075	A1	*	1/2015	Khatchatrian	.....	B60R 11/02 224/483

\* cited by examiner

*Primary Examiner* — Susan Bennett Hattan  
*Assistant Examiner* — Janice Hallmark  
(74) *Attorney, Agent, or Firm* — John H. Choi

(57) **CLAIM**

The ornamental design for a smart phone holder, as shown and described.

**DESCRIPTION**

FIG. 1 is a perspective view of a smart phone holder showing my new design;  
FIG. 2 is a rear view thereof;  
FIG. 3 is a front view thereof;  
FIG. 4 is a side view thereof;  
FIG. 5 is a top plan view thereof; and,  
FIG. 6 is a bottom view thereof.

**1 Claim, 6 Drawing Sheets**

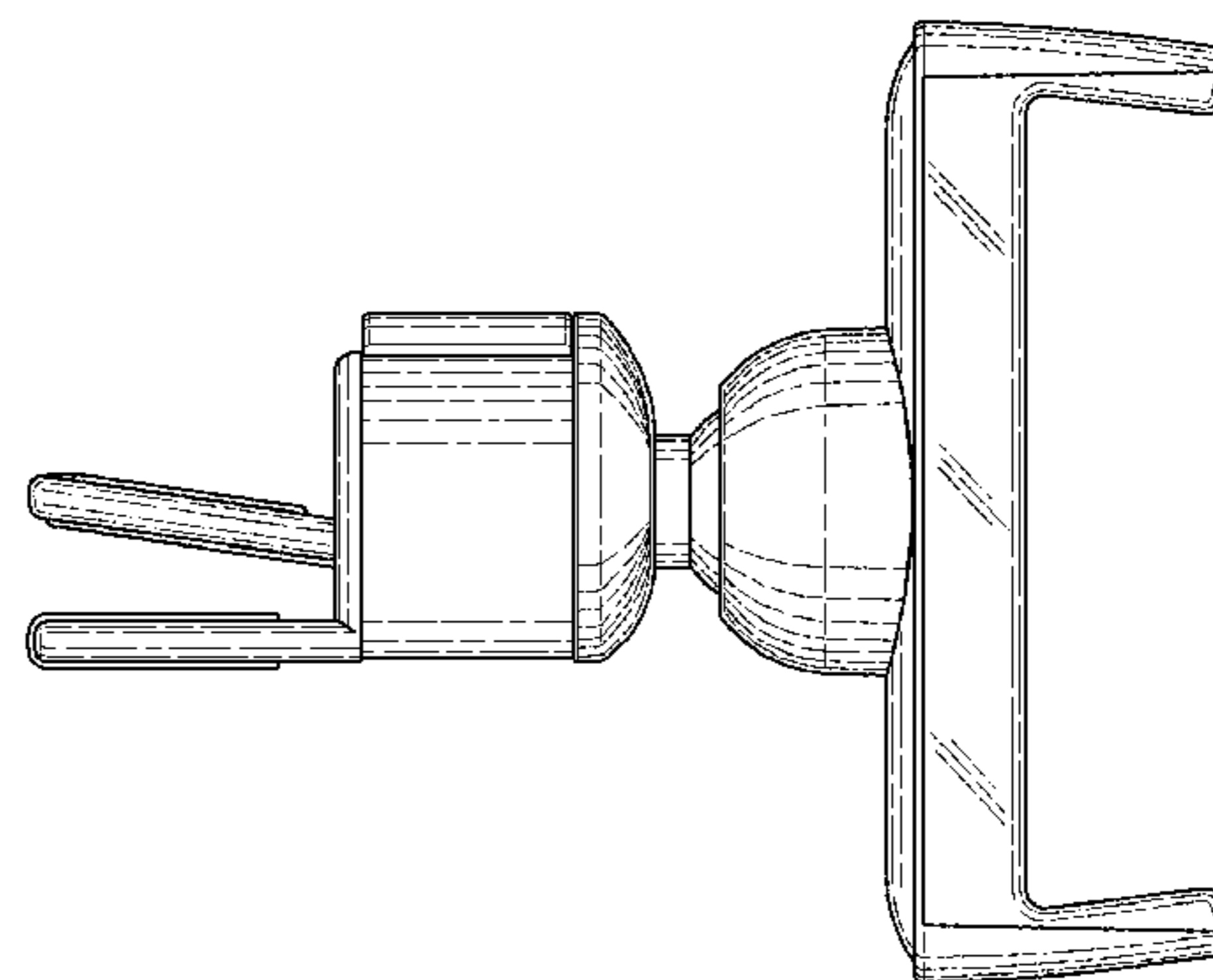
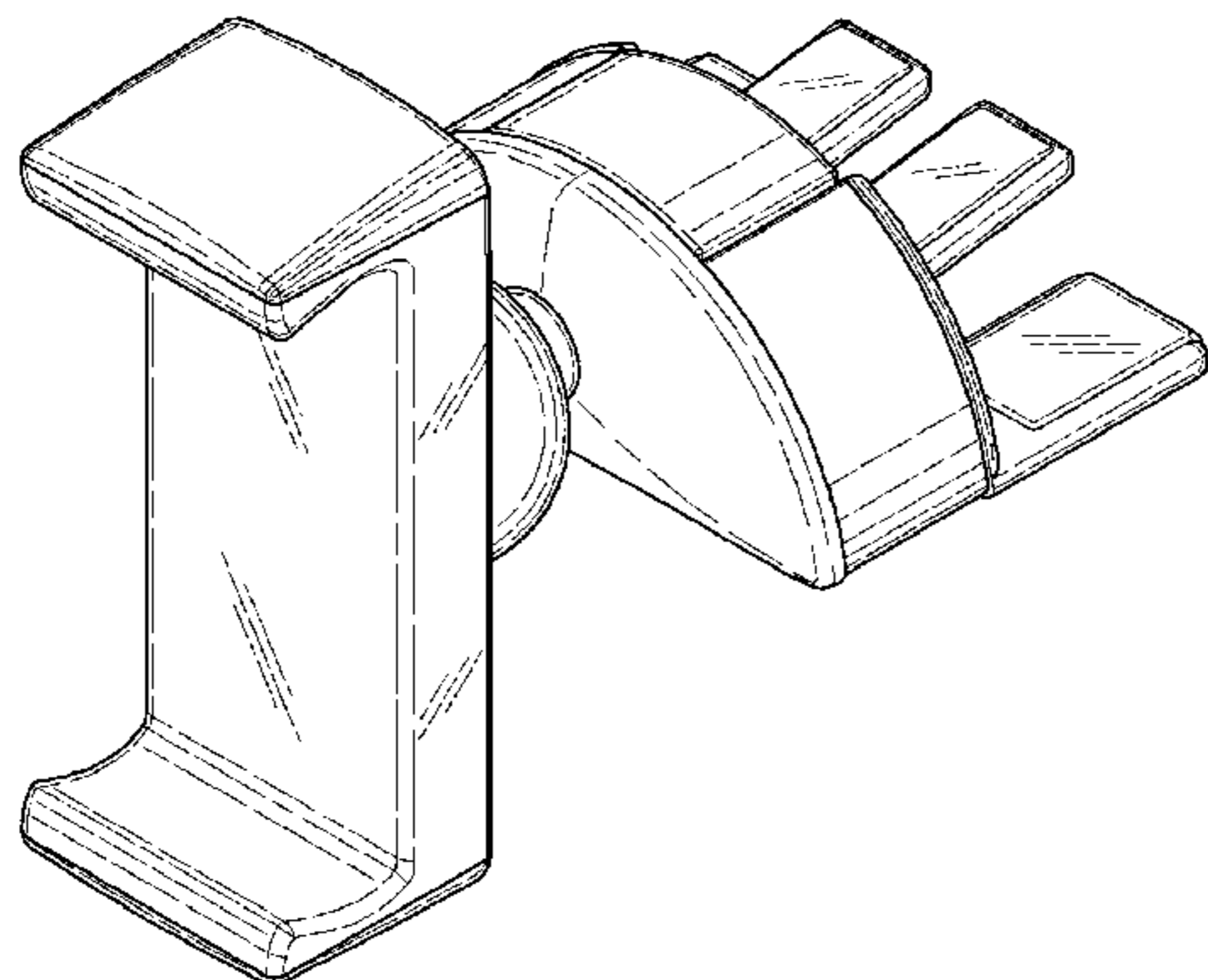


FIG. 1

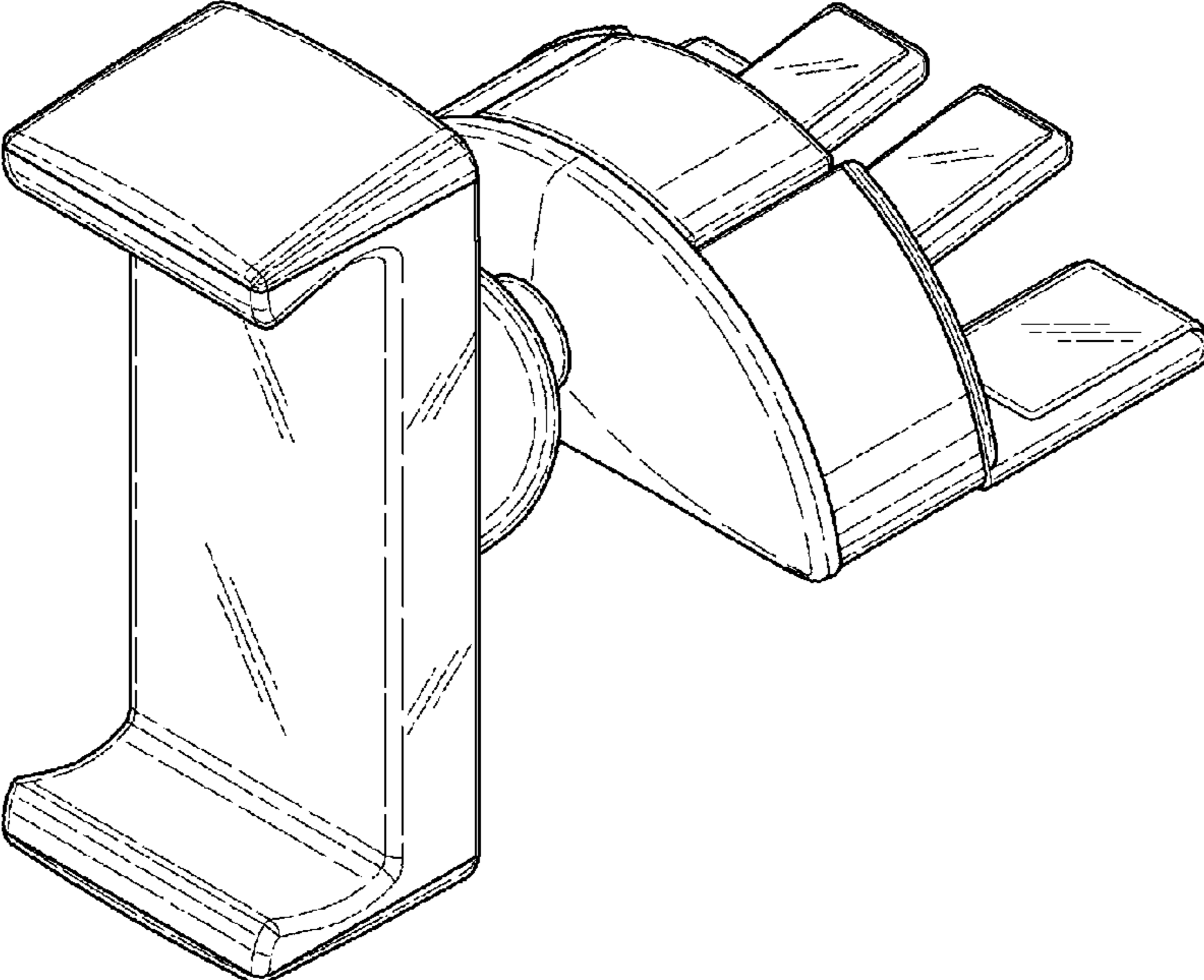


FIG. 2

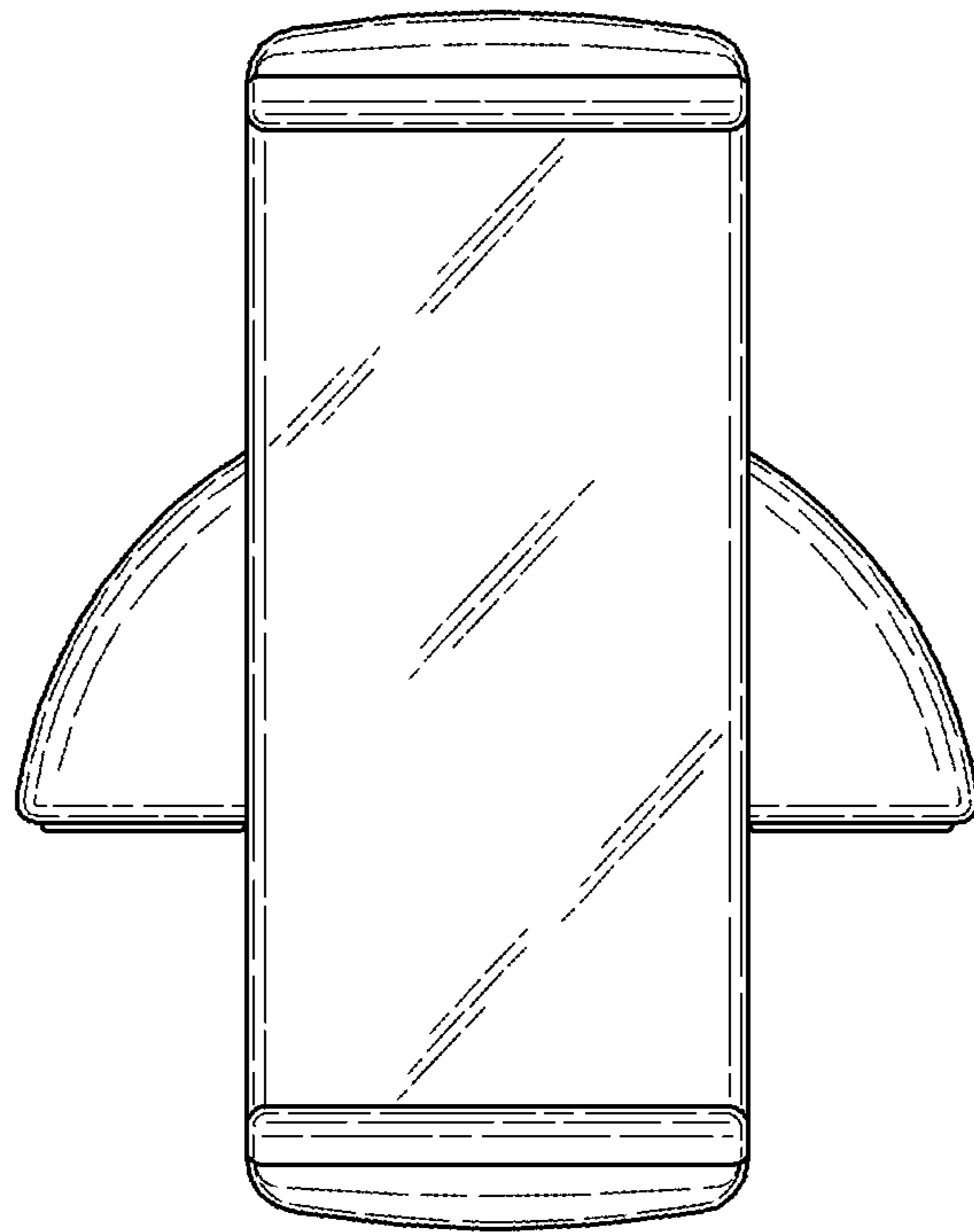


FIG. 3

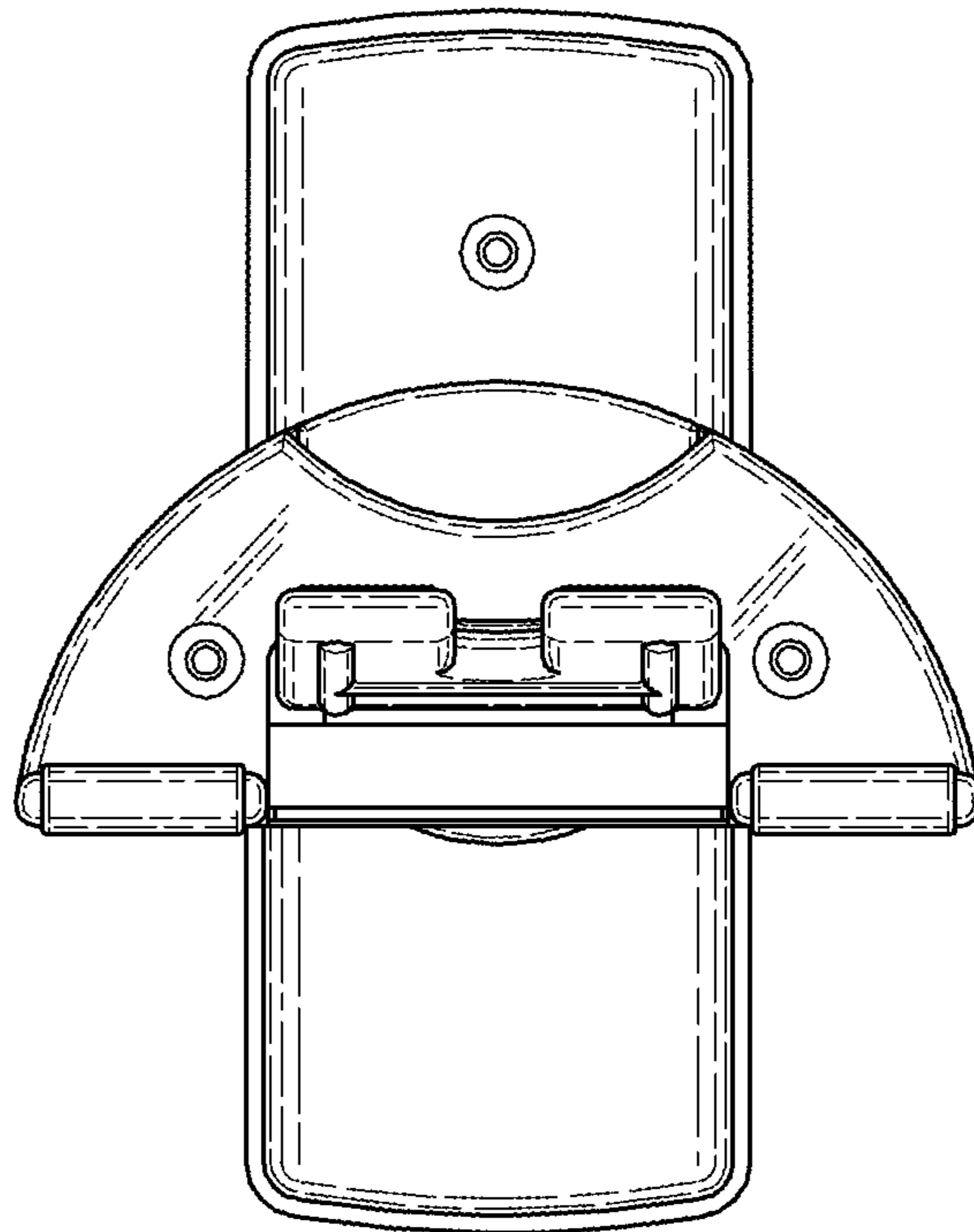


FIG.4

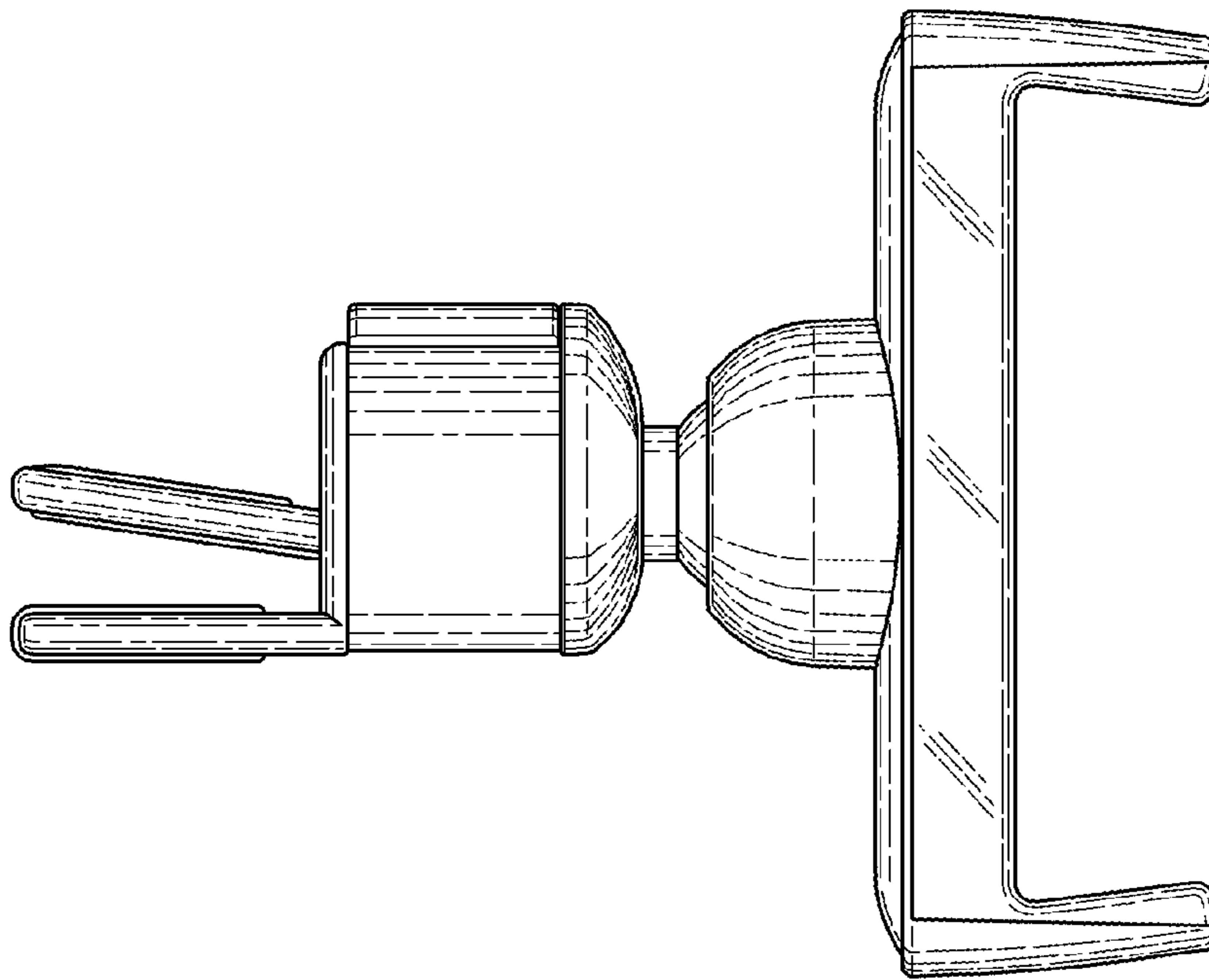


FIG. 5

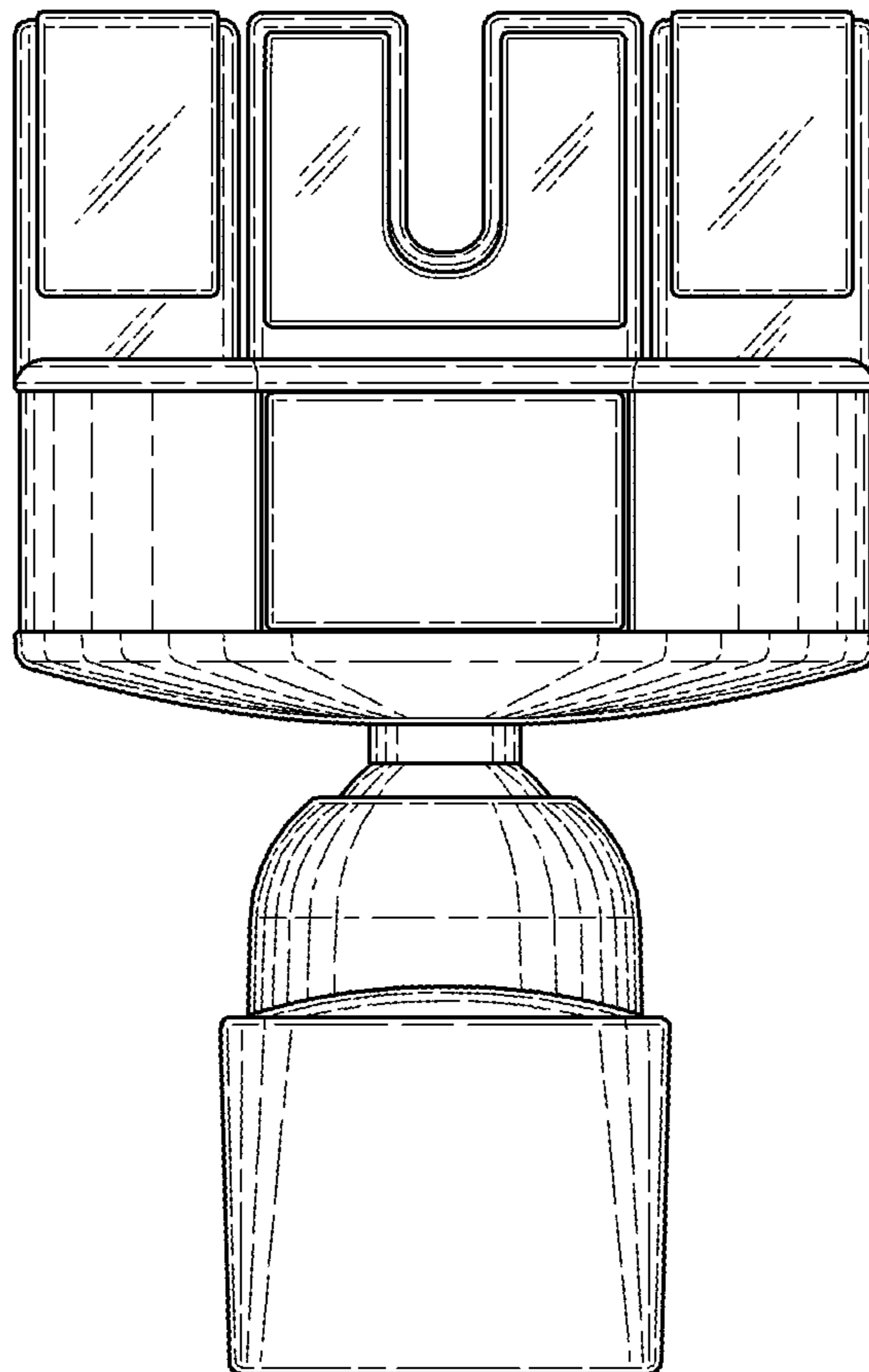


FIG. 6

