



US00D767555S

(12) **United States Design Patent** (10) **Patent No.:** **US D767,555 S**  
**Lee** (45) **Date of Patent:** **\*\* Sep. 27, 2016**

(54) **SMART PHONE HOLDER**  
(71) Applicant: **Tone Layout LLC**, East Rutherford, NJ (US)  
(72) Inventor: **Dongyeob Lee**, Bucheon-si (KR)  
(73) Assignee: **Tone Layout LLC**, East Rutherford, NJ (US)  
(\*\*) Term: **15 Years**  
(21) Appl. No.: **29/528,287**  
(22) Filed: **May 27, 2015**  
(51) **LOC (10) Cl.** ..... **14-03**  
(52) **U.S. Cl.**  
USPC ..... **D14/253**  
(58) **Field of Classification Search**  
USPC ..... D14/253, 251, 252, 447, 451, 452, 440, D14/434, 458, 432, 439, 457, 460, 238.1, D14/140, 142, 149, 217, 148, 140.8, 140.11, D14/209.1, 151, 140.9, 250, 238; D13/107, D13/108; D12/415, 223, 114, 420, 417, D12/407, 177; D3/218; D16/242-245, 250, D16/237, 203, 214, 219; D8/349; D6/675, D6/672, 673, 675.4, 553, 676, 310, 406.3, D6/406.4, 406.5, 406.6, 407, 567, 300, D6/682.3, 396; 248/459, 460; 224/483  
CPC ..... B60R 2011/0008; B60R 11/02; B60R 11/0241; B60R 11/0258; B60R 11/0252; B60R 2011/0294; F16M 11/00; F16M 11/04; F16M 11/041; F16M 11/02; F16M 11/06; F16M 13/00; H04M 1/02; H04M 1/04; H04M 1/11; H04M 1/12; A47F 7/022; B62J 11/00; H05K 7/00; G03B 17/56  
See application file for complete search history.

(56) **References Cited**  
U.S. PATENT DOCUMENTS  
D30,441 S \* 3/1899 Wahlert ..... 248/74.1  
D279,314 S \* 6/1985 Ishida ..... D24/129  
D291,061 S \* 7/1987 Nakatani ..... D8/396

D291,409 S \* 8/1987 Themistos ..... D8/329  
D575,226 S \* 8/2008 Bart ..... D13/110  
D618,222 S \* 6/2010 Kallas ..... D14/229  
7,770,862 B2 \* 8/2010 Chen ..... F16M 13/00  
248/188.91  
D640,706 S \* 6/2011 Derry ..... D14/447  
D647,434 S \* 10/2011 Chambers ..... D12/114  
D661,647 S \* 6/2012 Chen ..... D13/108  
D663,735 S \* 7/2012 Musselman ..... D14/253  
D684,962 S \* 6/2013 Linhardt ..... D14/253  
D692,899 S \* 11/2013 Bremenkamp ..... D14/447  
D692,901 S \* 11/2013 Chung ..... D14/451  
8,708,205 B2 \* 4/2014 Wotton ..... B62J 11/00  
224/413  
D707,672 S \* 6/2014 Lai ..... D14/253  
D717,307 S \* 11/2014 Chun ..... D14/447  
D721,712 S \* 1/2015 Byrne ..... D14/447  
D726,734 S \* 4/2015 Whorton ..... D14/457  
8,998,048 B1 \* 4/2015 Wu ..... B62J 11/00  
224/420  
D739,853 S \* 9/2015 Lee ..... D14/253  
D751,060 S \* 3/2016 Cooper ..... D14/251  
2003/0035561 A1 \* 2/2003 Hsieh ..... H04R 1/08  
381/361  
2012/0223196 A1 \* 9/2012 Musselman ..... B60R 11/02  
248/220.21  
2012/0256068 A1 \* 10/2012 Su ..... F16M 11/041  
248/288.11

(Continued)

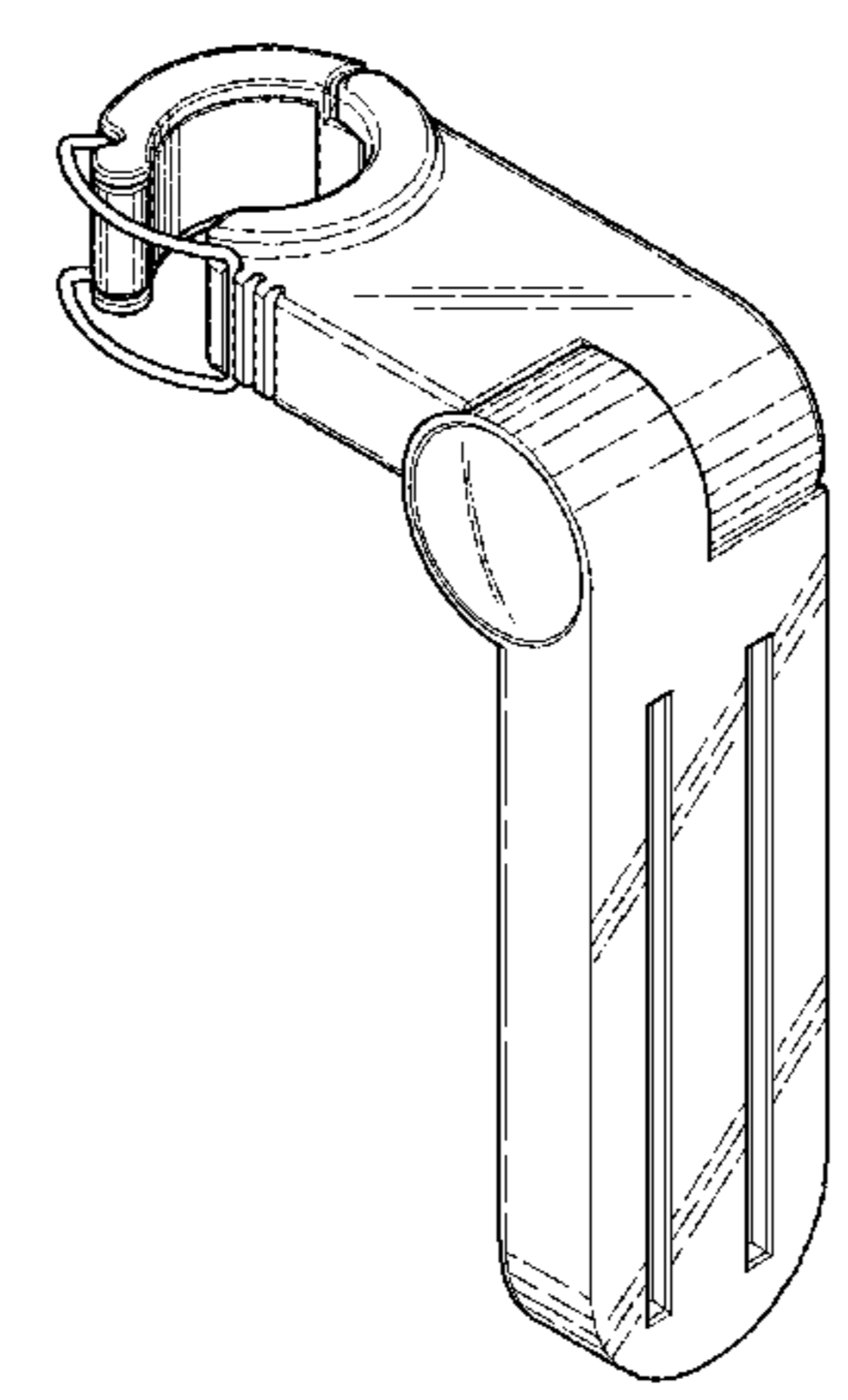
*Primary Examiner* — Susan Bennett Hattan  
*Assistant Examiner* — Janice Hallmark  
(74) *Attorney, Agent, or Firm* — John H. Choi

(57) **CLAIM**  
The ornamental design for a smart phone holder, as shown and described.

**DESCRIPTION**

FIG. 1 is a perspective view of a smart phone holder showing my new design;  
FIG. 2 is a rear view thereof;  
FIG. 3 is a front view thereof;  
FIG. 4 is a left view thereof;  
FIG. 5 is a right view thereof;  
FIG. 6 is a top plan thereof; and,  
FIG. 7 is a bottom view thereof.

**1 Claim, 5 Drawing Sheets**



# US D767,555 S

Page 2

---

(56)

## References Cited

### U.S. PATENT DOCUMENTS

2015/0301559 A1*	10/2015	Wu	.....	F16M 11/041
				248/229.16
2016/0124210 A1*	5/2016	Ross	.....	G02B 23/16
				359/399
2015/0144754 A1*	5/2015	Elharar	.....	B60R 11/0241
				248/230.8

\* cited by examiner

FIG. 1

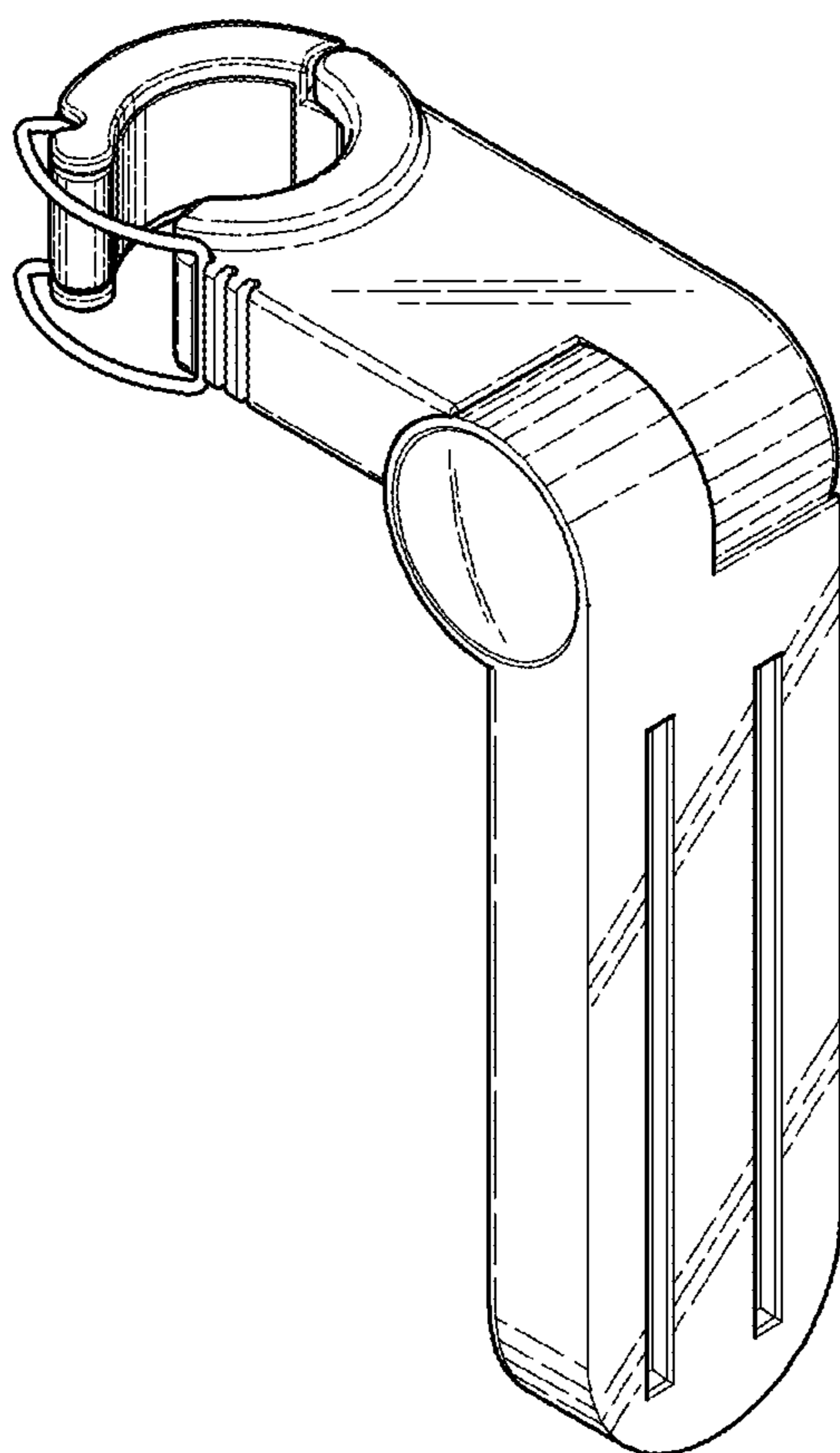


FIG. 2

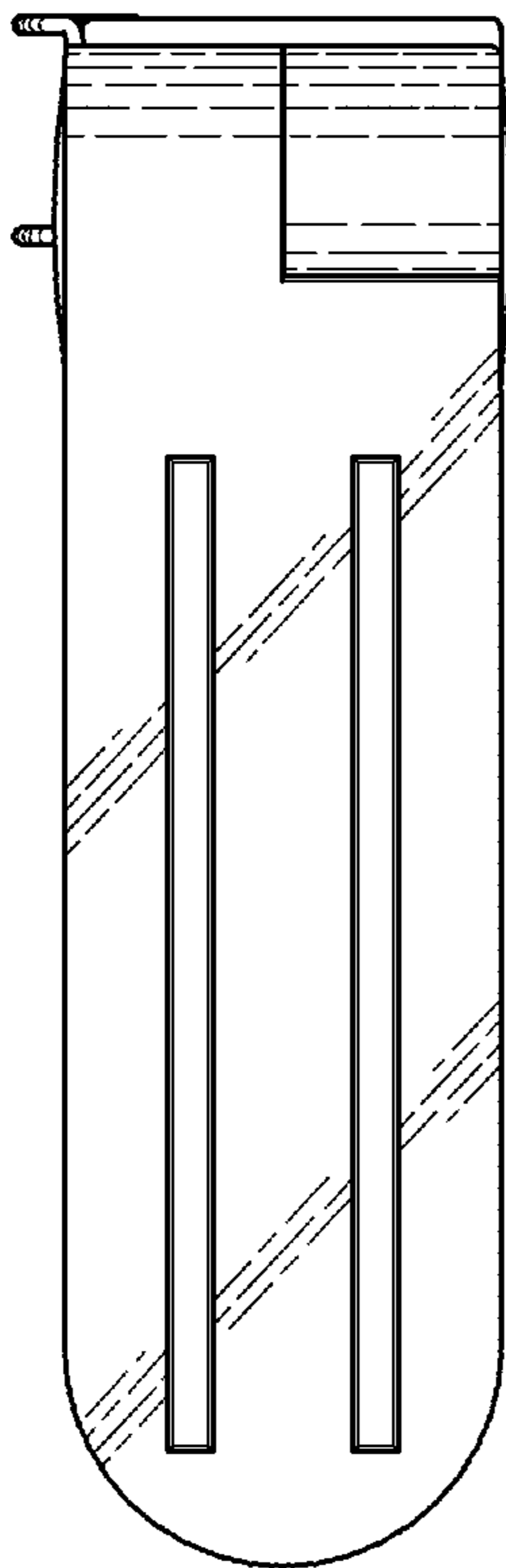


FIG. 3

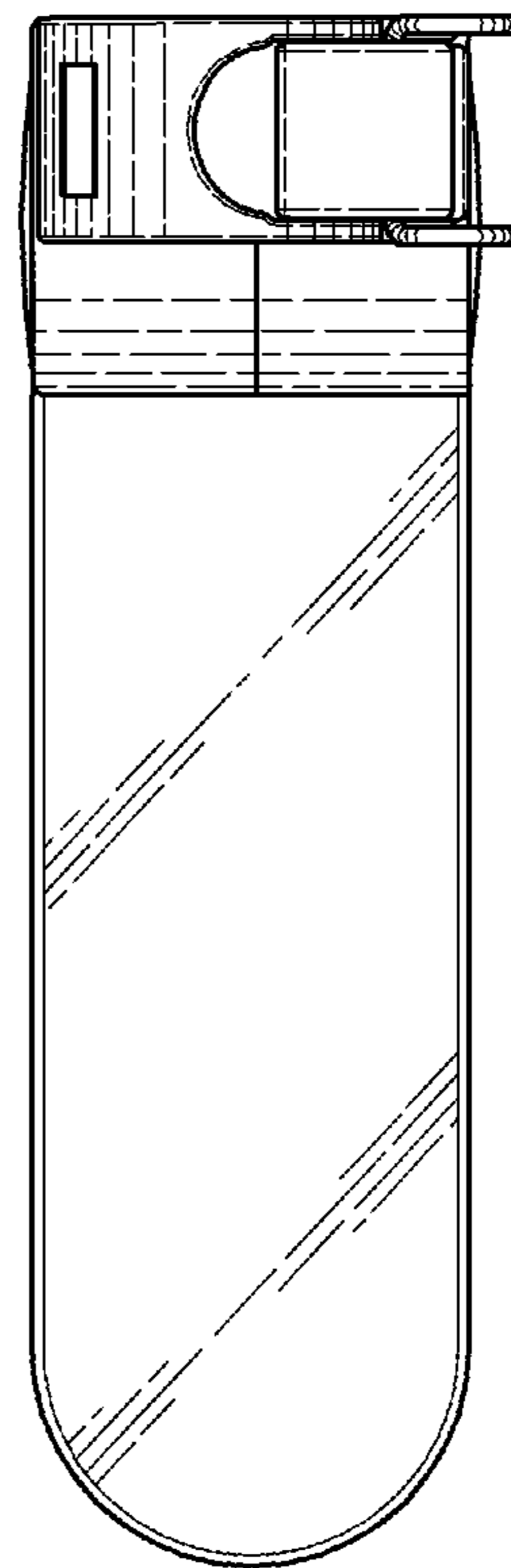


FIG. 4

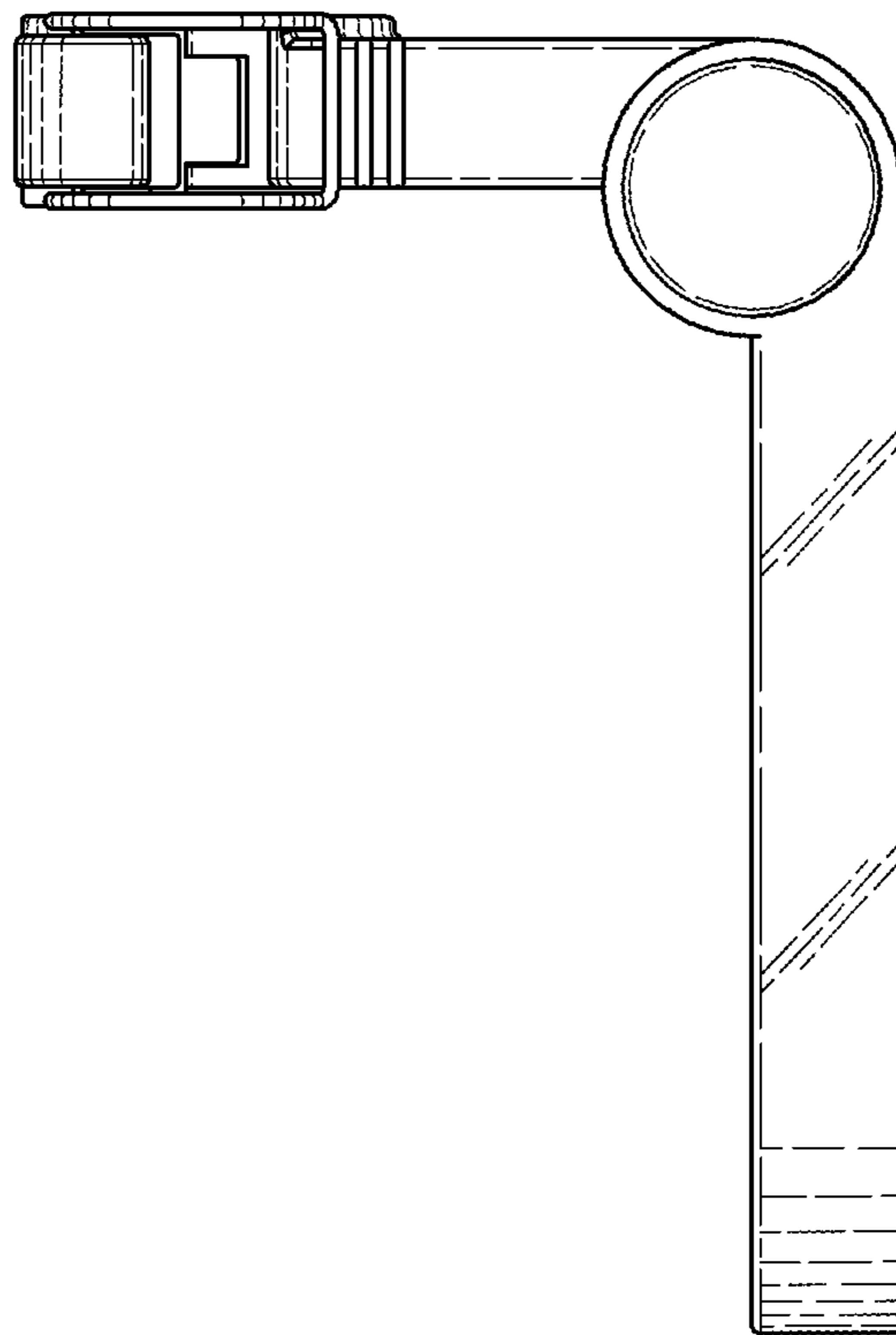


FIG. 5

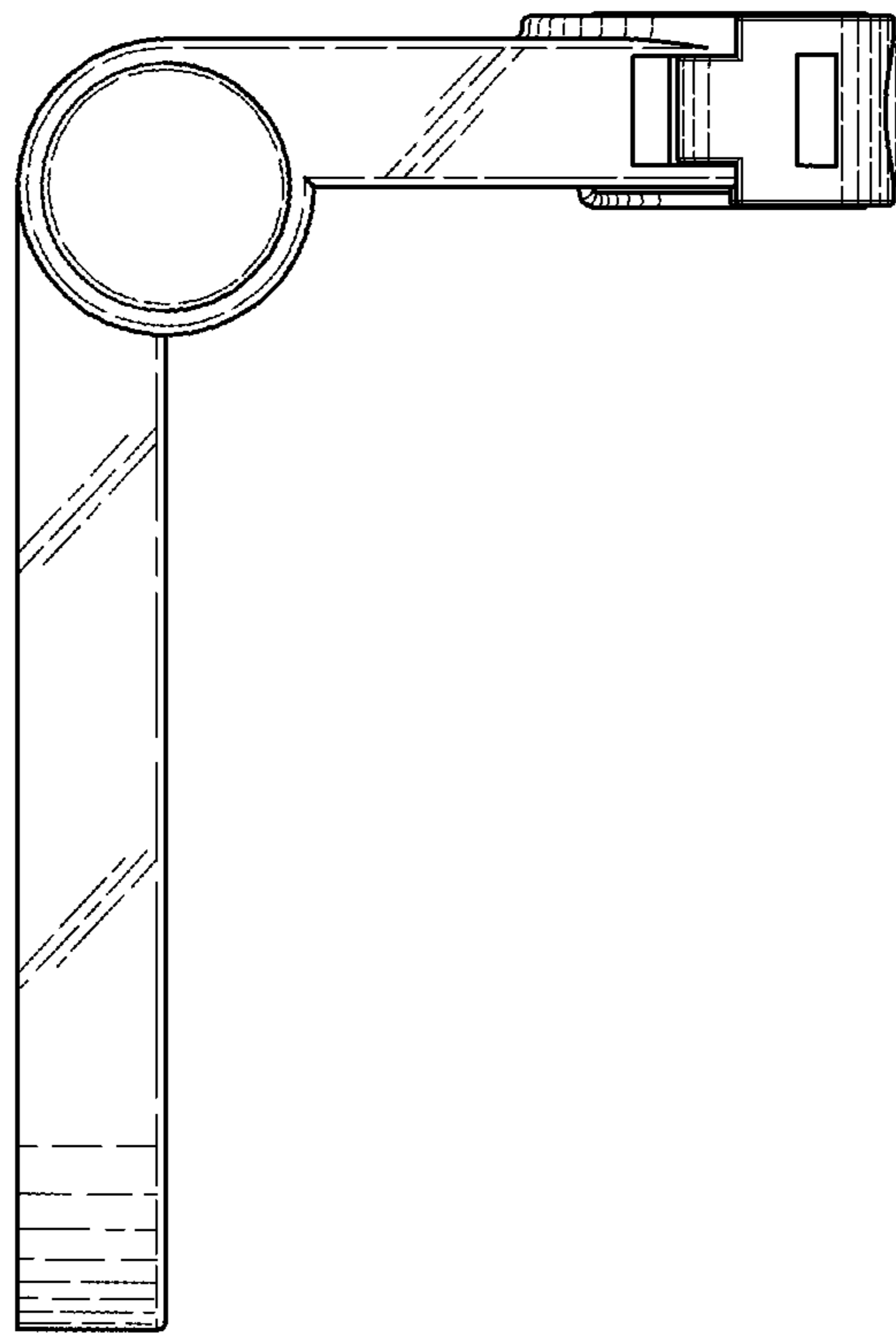


FIG. 6

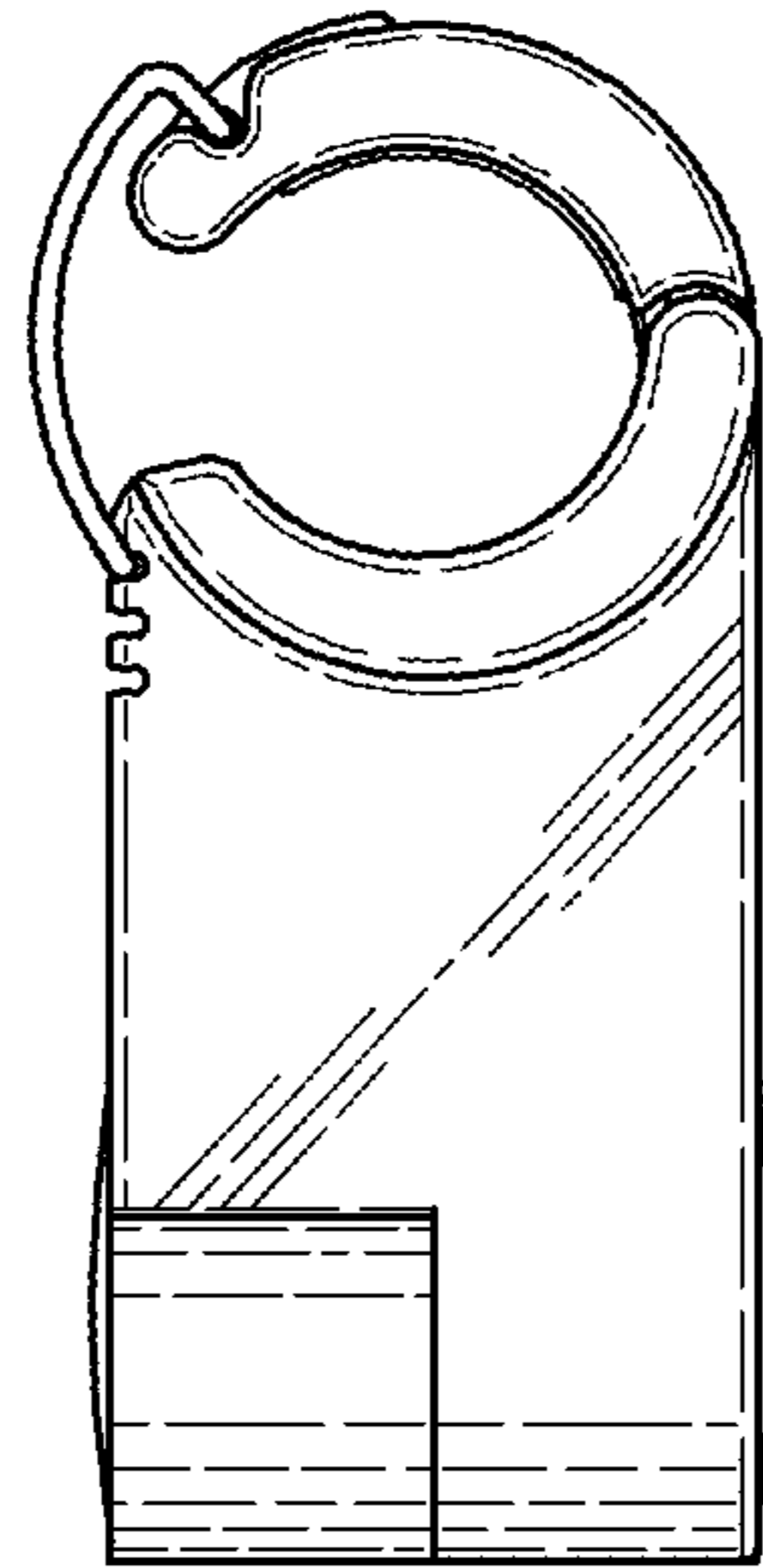


FIG. 7

