

US00D767550S

(12) **United States Design Patent** (10) **Patent No.:** **US D767,550 S**
Beaupre et al. (45) **Date of Patent:** **** Sep. 27, 2016**

(54) **OVERLAY FOR ELECTRONIC DEVICE**

(71) Applicant: **Belkin International, Inc.**, Playa Vista, CA (US)

(72) Inventors: **Eric Beaupre**, Los Angeles, CA (US);
John F. Wadsworth, Burbank, CA (US)

(73) Assignee: **Belkin International, Inc.**, Playa Vista, CA (US)

(**) Term: **14 Years**

(21) Appl. No.: **29/480,546**

(22) Filed: **Jan. 27, 2014**

(51) **LOC (10) Cl.** **14-03**

(52) **U.S. Cl.**
USPC **D14/250**

(58) **Field of Classification Search**
USPC D14/250–253, 440, 203.3–203.7, 217, D14/496, 248, 238.1, 240, 447, 230, 247, D14/341, 345, 346, 439; D3/201, 218, 269, D3/301, 273, 303; D13/103, 107–108; 220/4.02; 248/309.1; 361/679.56; 379/426, 433.11, 455; 455/575.1, 455/575.8; 190/100; 206/305, 320
CPC A45C 2011/002; A45C 11/00; A45C 13/002; A45C 2011/003; H04M 1/0283; H04M 1/0202; H04M 1/185; H04B 1/3888
See application file for complete search history.

(56) **References Cited**

U.S. PATENT DOCUMENTS

D305,648 S 1/1990 Edington
5,069,732 A 12/1991 Levine

(Continued)

FOREIGN PATENT DOCUMENTS

CN 201456516 5/2010
CN 102632674 8/2012

(Continued)

OTHER PUBLICATIONS

Amzer—Kristal Screen Protectors—<http://www.amzer.com/kristal/>.

(Continued)

Primary Examiner — Sandra Snapp

Assistant Examiner — Holly E Thurman

(74) *Attorney, Agent, or Firm* — Bryan Cave LLP

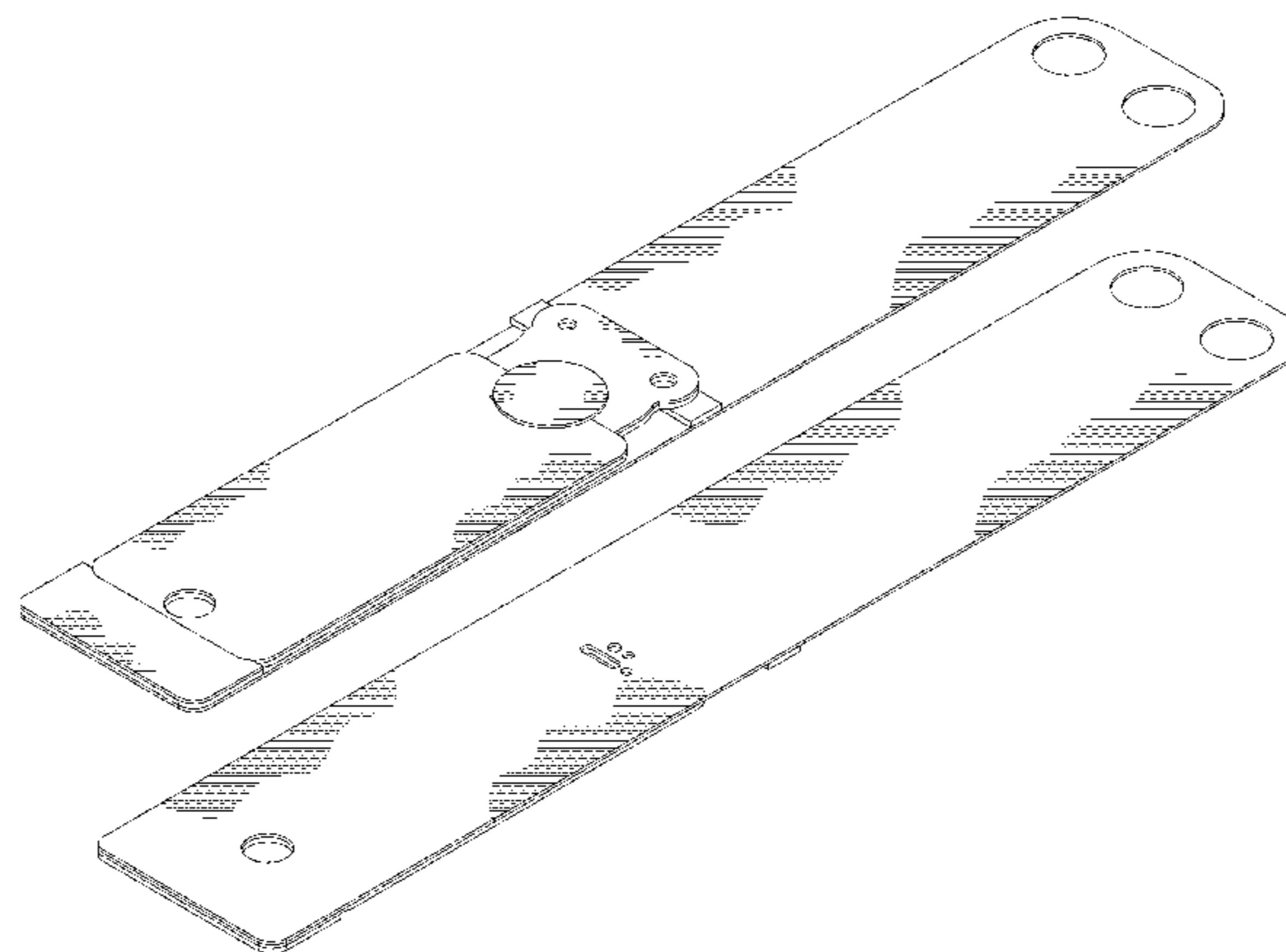
(57) **CLAIM**

We claim the ornamental design for the overlay for electronic device, substantially as shown and described.

DESCRIPTION

FIG. 1 is a top perspective view of an overlay for electronic device, according to a first embodiment;
FIG. 2 is a bottom perspective view of the overlay for electronic device, according to the first embodiment;
FIG. 3 is a top plan view of the overlay for electronic device, according to the first embodiment;
FIG. 4 is a side elevational view of the overlay for electronic device, according to the first embodiment, where the opposite side elevational view is a mirror image thereof;
FIG. 5 is a bottom plan view of the overlay for electronic device, according to the first embodiment;
FIG. 6 is a top plan view of the overlay for electronic device in a folded configuration, according to the first embodiment;
FIG. 7 is a top perspective view of an overlay for electronic device, according to a second embodiment;
FIG. 8 is a bottom perspective view of the overlay for electronic device, according to the second embodiment;
FIG. 9 is a top plan view of the overlay for electronic device, according to the second embodiment;
FIG. 10 is a side elevational view of the overlay for electronic device, according to the second embodiment, where the opposite side elevational view is a mirror image thereof;
FIG. 11 is a bottom plan view of the overlay for electronic device, according to the second embodiment; and,
FIG. 12 is a top plan view of the overlay for electronic device in a folded configuration, according to the second embodiment.

1 Claim, 6 Drawing Sheets



(56)

References Cited

U.S. PATENT DOCUMENTS

5,680,709 A 10/1997 Stone
 6,406,758 B1 6/2002 Bottari et al.
 D598,024 S 8/2009 Scott et al.
 D601,959 S * 10/2009 Lee D13/119
 D601,960 S * 10/2009 Dai D13/119
 7,957,524 B2 6/2011 Chipping
 7,966,861 B2 6/2011 Yee et al.
 8,047,365 B1 * 11/2011 Lin A45C 13/02
 206/320
 D651,214 S 12/2011 Yoo et al.
 D665,809 S 8/2012 Wang et al.
 8,369,072 B1 2/2013 Alonzo et al.
 8,393,377 B2 3/2013 Patel et al.
 8,517,367 B1 8/2013 Napier
 D690,704 S 10/2013 Padilla et al.
 D707,217 S * 6/2014 Toulotte D14/250
 D710,843 S * 8/2014 Akana D14/341
 D714,053 S * 9/2014 Yoo D3/269
 D715,301 S 10/2014 Ashcraft et al.
 D720,353 S 12/2014 Nakamura
 D721,359 S * 1/2015 Kim D14/250
 D729,235 S 5/2015 Nagao et al.
 9,159,260 B2 * 10/2015 Oh G09G 3/20
 2004/0109096 A1 6/2004 Anderson et al.
 2004/0246386 A1 12/2004 Thomas et al.
 2007/0115621 A1 5/2007 Guillen
 2007/0229962 A1 10/2007 Mason, Jr.
 2007/0247793 A1 10/2007 Carnevali
 2007/0293282 A1 12/2007 Lewis et al.
 2009/0186181 A1 7/2009 Mase
 2009/0314400 A1 * 12/2009 Liu A45C 11/00
 150/165
 2010/0309152 A1 12/2010 Kusuda et al.
 2011/0206887 A1 8/2011 Kim
 2011/0267793 A1 11/2011 Cohen
 2011/0279383 A1 11/2011 Wilson et al.
 2011/0309608 A1 12/2011 Flynn et al.
 2012/0043015 A1 2/2012 Feller
 2012/0087072 A1 4/2012 McGuire et al.
 2012/0110868 A1 5/2012 Abbondanzio
 2012/0183712 A1 7/2012 Leonhard et al.
 2012/0211168 A1 8/2012 Patel et al.
 2012/0268394 A1 10/2012 Hsu et al.
 2013/0020005 A1 1/2013 Koblick et al.
 2013/0040088 A1 2/2013 Hirayama et al.
 2013/0048203 A1 2/2013 Yau et al.
 2013/0156999 A1 6/2013 Braesch et al.
 2013/0264235 A1 * 10/2013 Lin A45C 11/00
 206/320
 2014/0055927 A1 * 2/2014 Wang H05K 7/00
 361/679.01
 2015/0041069 A1 2/2015 Wadsworth et al.
 2015/0047773 A1 2/2015 Wadsworth et al.
 2015/0107767 A1 4/2015 Wadsworth et al.

FOREIGN PATENT DOCUMENTS

CN 202623469 12/2012
 CN 202896928 4/2013
 CN 202967060 6/2013
 EM 002486654-0001 6/2004
 EM 002486654-0002 6/2004
 EM 002486654-0003 6/2004
 EM 002486654-0004 6/2004
 EM 002486654-0005 6/2004
 EM 002486654-0006 6/2004
 EM 002486654-0007 6/2004

EM 002486654-0008 6/2004
 EM 002486696-0001 6/2004
 EM 002486696-0002 6/2004
 EM 002486696-0003 6/2004
 EM 002486696-0004 6/2004
 EM 002486696-0005 6/2004
 EM 002486696-0006 6/2004
 EM 002486696-0007 6/2004
 EM 002486696-0008 6/2004
 EM 002486696-0009 6/2004
 EM 002486696-0010 6/2004
 EM 002486696-0011 6/2004
 EM 002486696-0012 6/2004
 EM 002486696-0013 6/2004
 EM 002486696-0014 6/2004
 EM 002486696-0015 6/2004
 EM 002486696-0016 6/2004
 EM 002486712-0001 6/2004
 EM 002486712-0002 6/2004
 EM 002486712-0003 6/2004
 EM 002486712-0004 6/2004
 EM 002486712-0005 6/2004
 EM 002486712-0006 6/2004
 EM 002486712-0007 6/2004
 EM 002486712-0008 6/2004
 EM 002486712-0009 6/2004
 EM 002486712-0010 6/2004
 EM 002486712-0011 6/2004
 EM 002486712-0012 6/2004
 EM 002486712-0013 6/2004
 EM 002486712-0014 6/2004
 EM 002486712-0015 6/2004
 EM 002486712-0016 6/2004
 JP 10199422 7/1998
 JP 2002049327 2/2002
 JP 2002057764 2/2002
 JP 2003066419 3/2003
 JP 2006145918 6/2006
 JP 2006155452 6/2006
 JP 3124275 8/2006
 JP 03180690 12/2012
 KR 200454225 6/2011
 KR 101135144 4/2012
 KR 101176316 8/2012
 KR 1020130043720 5/2013
 WO 2004005141 1/2004
 WO 2005058705 6/2005
 WO 2011163151 12/2011
 WO 2012074802 6/2012

OTHER PUBLICATIONS

MyScreenProtector—<https://www.myscreenprotector.com/?lng=3&view=cms&txt=about-my-screen-protector>.
 PureGear—PureTek Roll-On Kit—<http://www.pure-gear.com/shop-by-category/screen/puretek-roll-on-kit-antibacterial-antiglare-anti-fingerprint.html>.
 TYLT Alin Perfect Alignment Screen Protection—<http://www.tytl.com/alin/>.
 Zagg Introduces invisibleShield On Demand and invisible Shield Glass at CES 2—<http://investors.zagg.com/releasedetail.cfm?ReleaseID=817526>.
 International Search Report and Written Opinion for PCT/US2014/060300, dated Jan. 27, 2015.
 International Search Report and Written Opinion for PCT/US2014/050420, dated Nov. 19, 2014.
 International Search Report and Written Opinion for PCT/US2014/071767, dated Apr. 24, 2015.

* cited by examiner

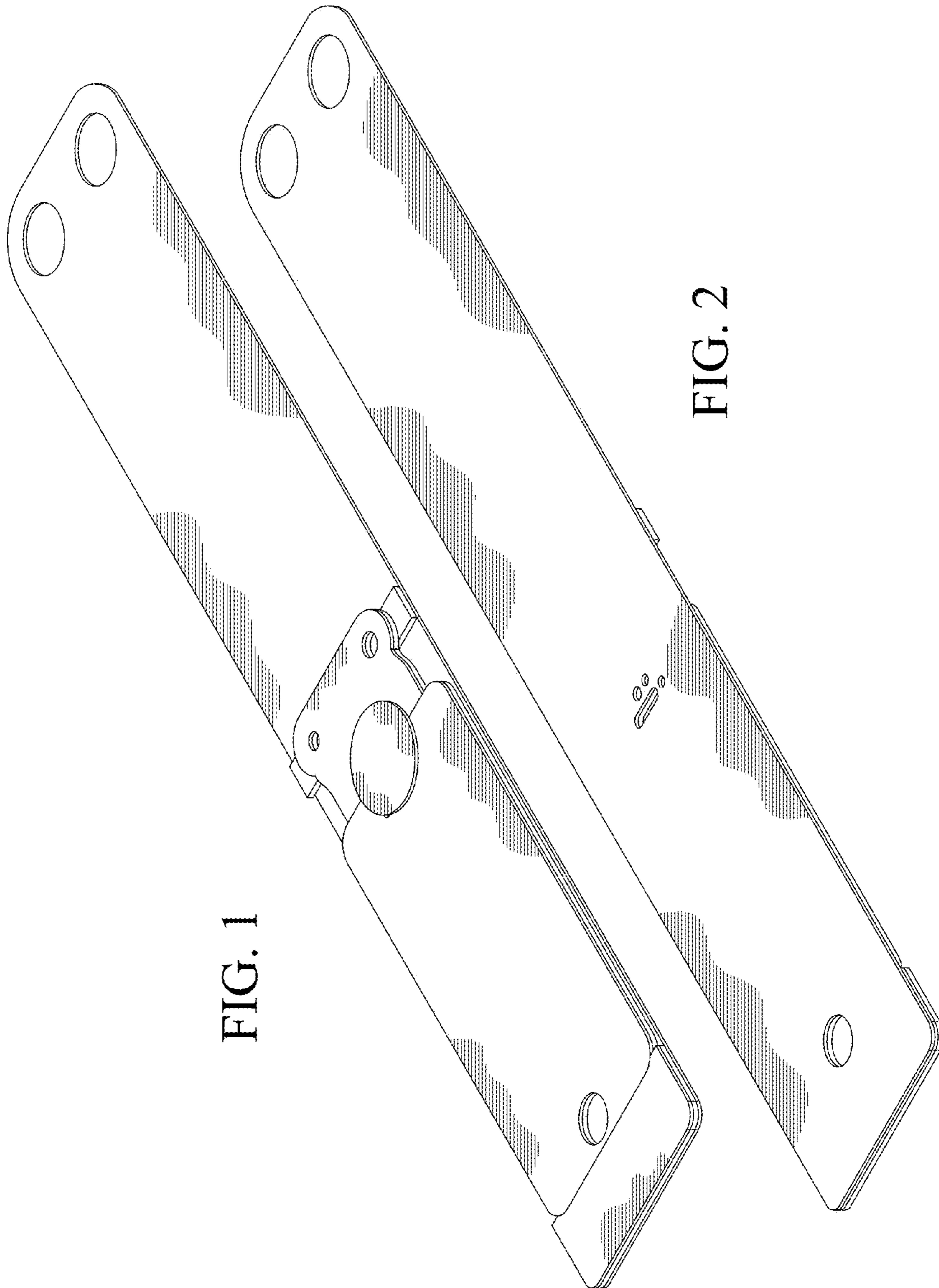


FIG. 1

FIG. 2

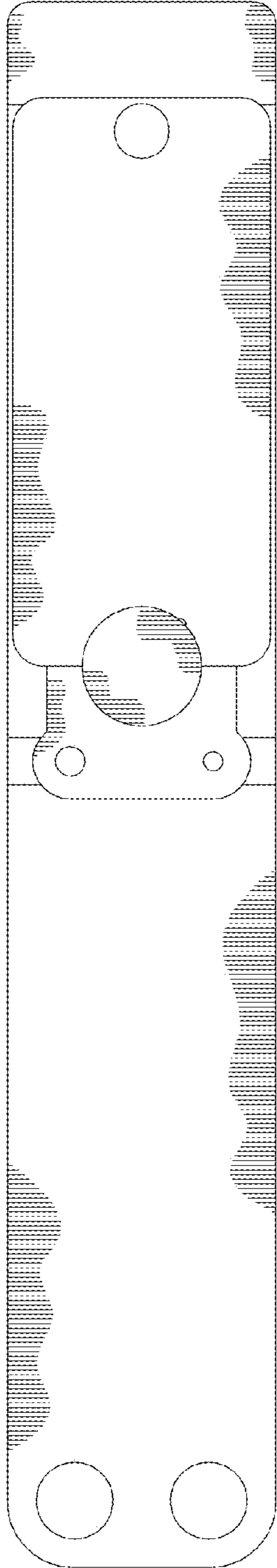


FIG. 3

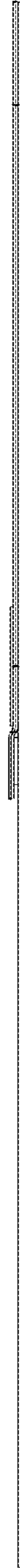


FIG. 4



FIG. 5

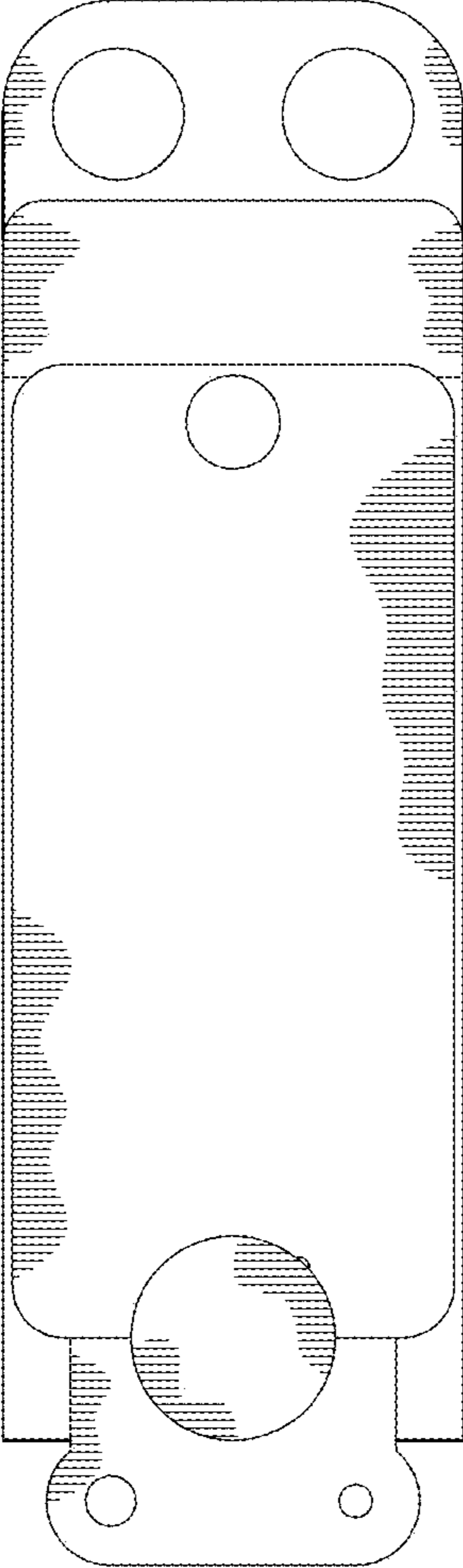


FIG. 6

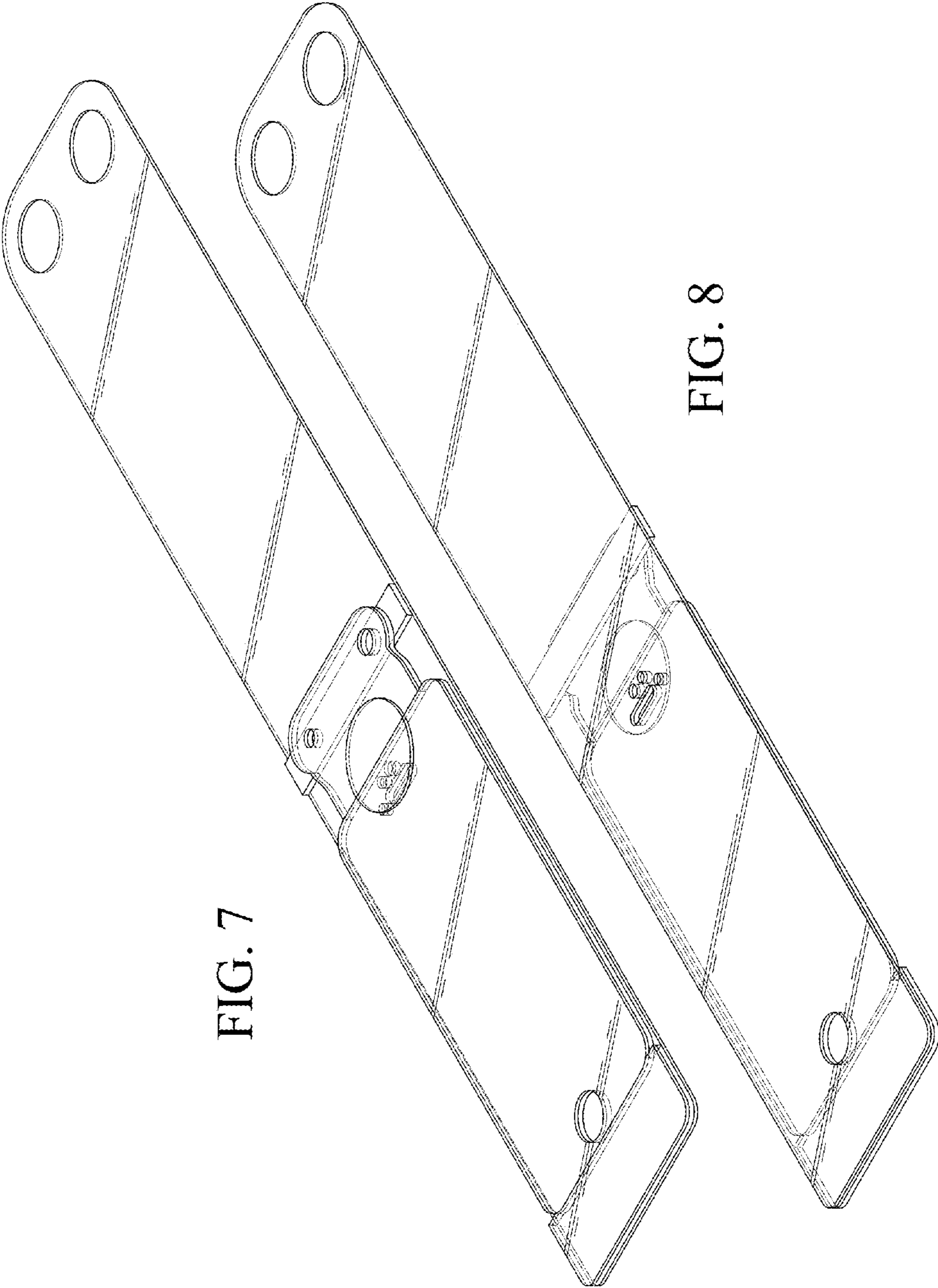


FIG. 7

FIG. 8

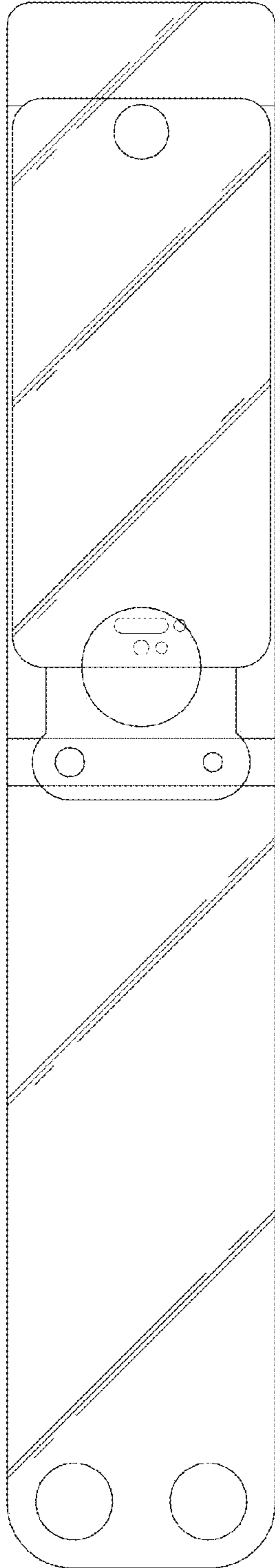


FIG. 9



FIG. 10

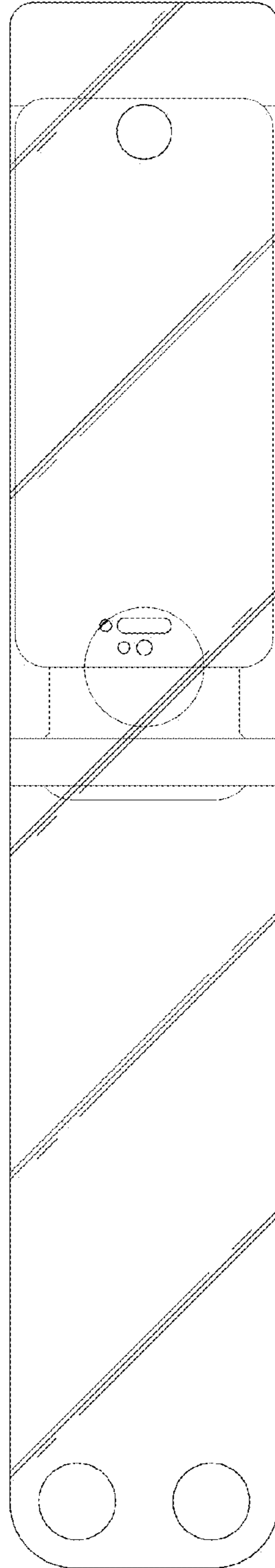


FIG. 11

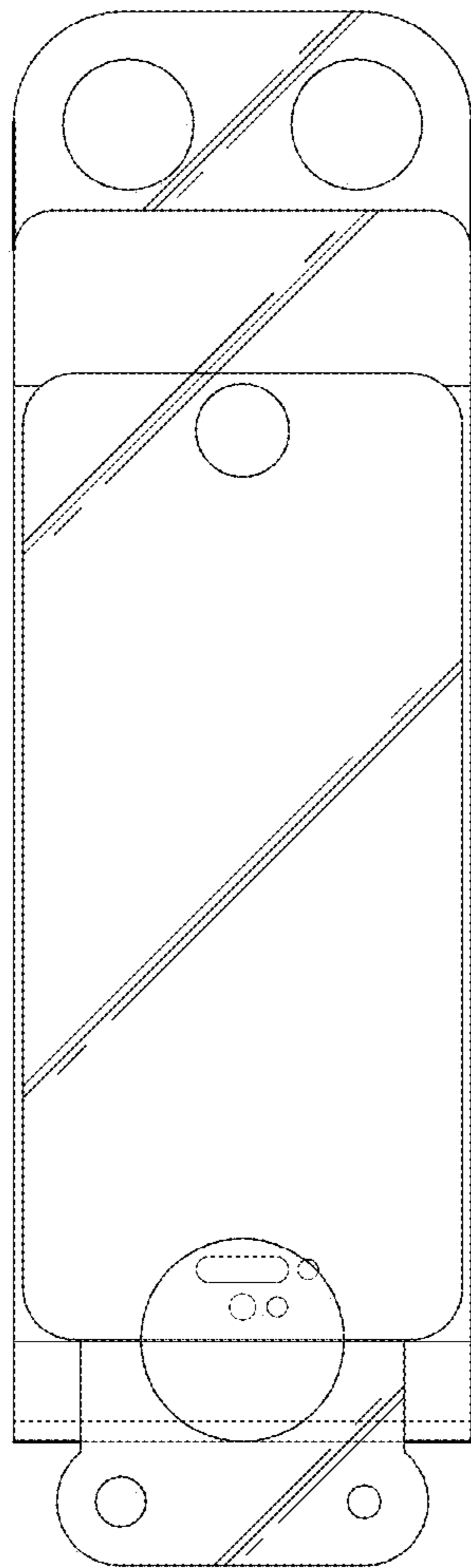


FIG. 12