



US00D767541S

(12) **United States Design Patent**
Baird et al.

(10) **Patent No.:** **US D767,541 S**

(45) **Date of Patent:** **** Sep. 27, 2016**

(54) **LOUDSPEAKER**

(71) Applicant: **MARTIN AUDIO LIMITED**, High Wycombe, Buckinghamshire (GB)

(72) Inventors: **Jason D. Baird**, London (GB); **Peter F. Lawrence**, High Wycombe (GB)

(73) Assignee: **Martin Audio Limited** (GB)

(**) Term: **14 Years**

(21) Appl. No.: **29/507,051**

(22) Filed: **Oct. 23, 2014**

(30) **Foreign Application Priority Data**

Apr. 23, 2014 (EM) 002451161-0001
Apr. 23, 2014 (EM) 002451161-0002
Apr. 23, 2014 (EM) 002451161-0003
Apr. 23, 2014 (EM) 002451161-0004
Apr. 23, 2014 (EM) 002451161-0005

(51) **LOC (10) Cl.** **14-03**

(52) **U.S. Cl.**
USPC **D14/222**; D14/208

(58) **Field of Classification Search**
USPC D14/222, 216, 221, 224, 208, 215;
181/152, 156, 144, 148, 159, 160;
381/340, 343, 354, 190, 193, 386;
455/90.1, 575.2
CPC H05K 5/00; H04R 25/00; H04R 5/02;
H04R 1/02
See application file for complete search history.

(56) **References Cited**

U.S. PATENT DOCUMENTS

1,808,297 A * 6/1931 Dempster H04R 9/02
381/406
1,932,460 A * 10/1933 Rockwell H03F 1/36
381/386

2,077,170 A * 4/1937 Harrison H04R 1/24
181/163
2,261,110 A * 11/1941 Engholm H04R 9/06
381/189
2,261,111 A * 11/1941 Engholm H04R 9/06
381/404
2,533,498 A * 12/1950 Munson H04R 9/025
335/231
2,722,991 A * 11/1955 Carbonneau H04R 7/22
181/171
2,856,467 A * 10/1958 Hoodwin G10K 11/025
181/188
D186,669 S * 11/1959 Richards et al. D14/212
D188,542 S * 8/1960 Levy D14/216
3,093,207 A * 6/1963 Bozak H04R 7/125
181/166
3,122,214 A * 2/1964 Robbins H04R 1/345
181/155
D197,716 S * 3/1964 Boldt D14/216
3,150,441 A * 9/1964 Kloss H04R 1/025
264/251
3,354,541 A * 11/1967 Gosma H04R 9/02
29/594

(Continued)

Primary Examiner — Paula Greene

(74) *Attorney, Agent, or Firm* — Dinsmore & Shohl, LLP

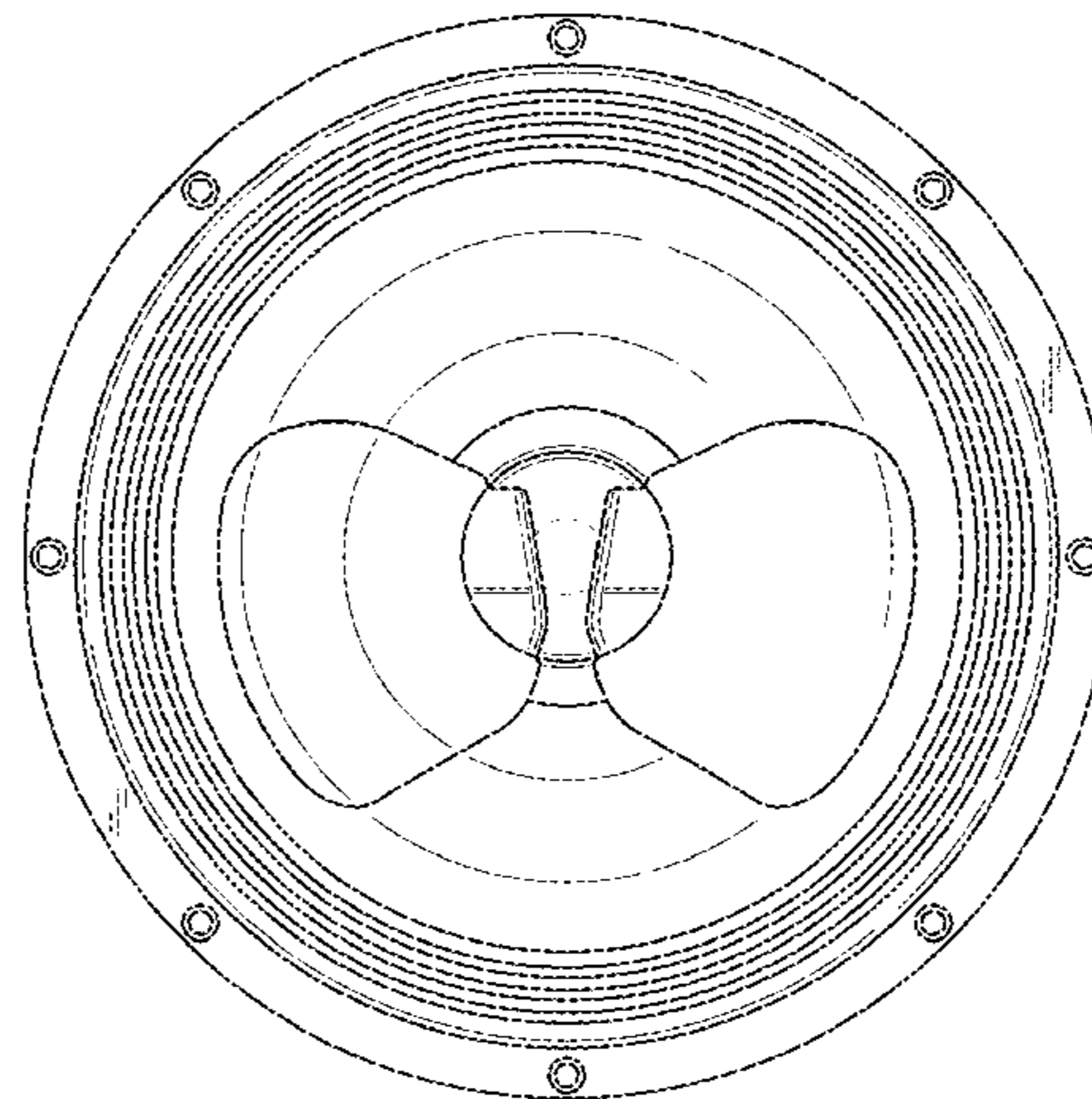
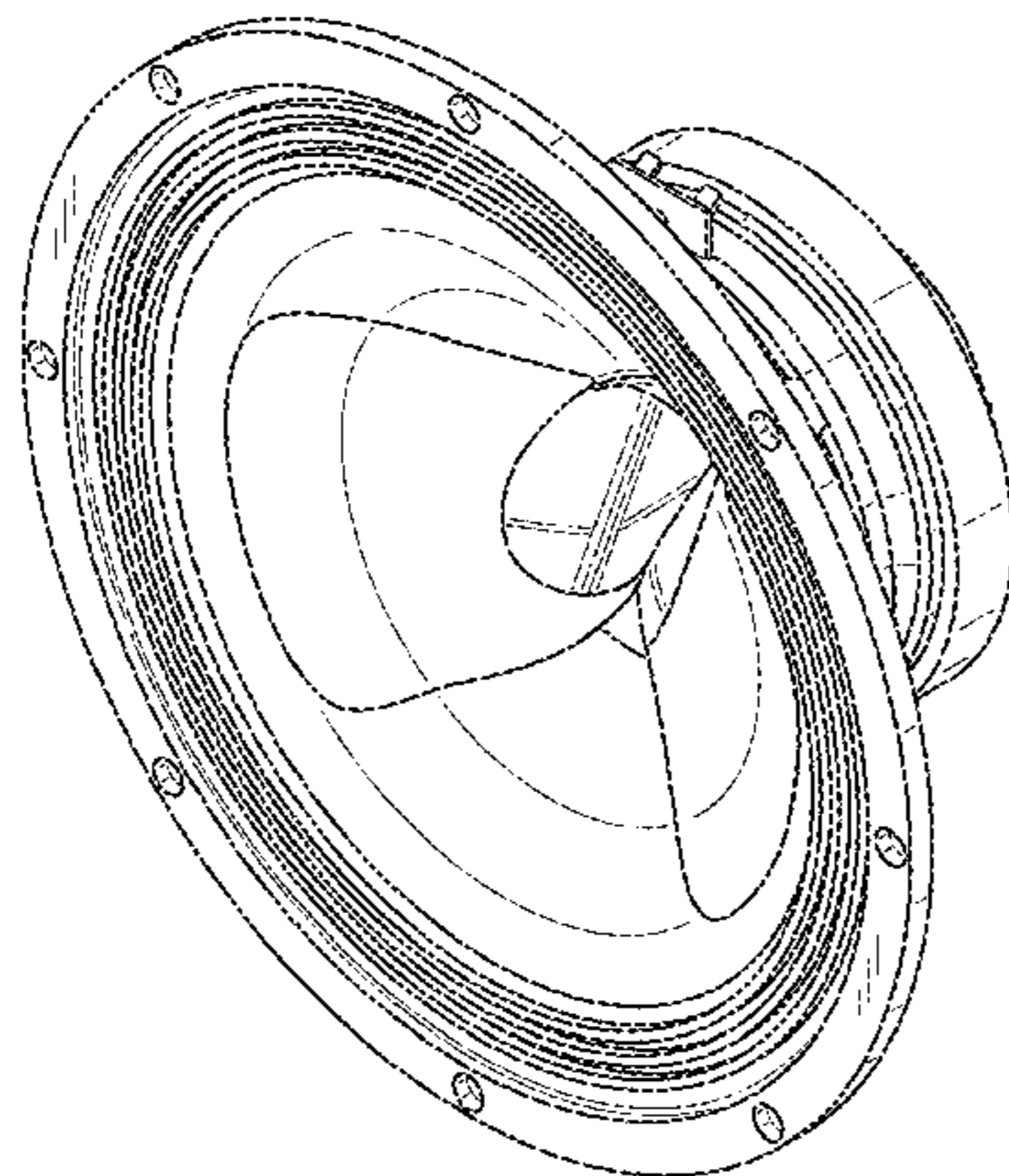
(57) **CLAIM**

The ornamental design of a loudspeaker, as shown and described.

DESCRIPTION

FIG. 1 is a perspective view of a loudspeaker illustrating our new design;
FIG. 2 is a front view of the design of FIG. 1;
FIG. 3 is a rear view of the design of FIG. 1;
FIG. 4 is a side view of the design of FIG. 1;
FIG. 5 is an opposite side view of the design of FIG. 1;
FIG. 6 is a top view of the design of FIG. 1; and,
FIG. 7 is a bottom view of the design of FIG. 1.
The broken lines, if any, represent portions of the structure that form no part of the claim.

1 Claim, 7 Drawing Sheets



(56)

References Cited

U.S. PATENT DOCUMENTS

3,499,988 A * 3/1970 Katsuo H03F 3/183
257/712
3,575,370 A * 4/1971 Morris H04R 1/025
24/373
3,834,486 A * 9/1974 Tsuge H04R 7/122
181/165
3,859,480 A * 1/1975 Birkner H04R 1/025
181/171
3,941,932 A * 3/1976 D'Hoogh H04R 3/002
381/190
D239,538 S * 4/1976 Wagner D14/216
D244,698 S * 6/1977 Babb D12/206
D250,586 S * 12/1978 Nussdorfer D14/216
4,158,400 A * 6/1979 Vice H04R 1/30
181/144
D253,108 S * 10/1979 Schroeder 181/147
4,319,098 A * 3/1982 Baitcher H04R 7/20
181/166
4,365,114 A * 12/1982 Soma H04R 1/323
181/144
D270,909 S * 10/1983 Iijima D14/216
4,546,850 A * 10/1985 Litner H04R 1/023
181/141
4,552,242 A * 11/1985 Kashiwabara H04R 1/24
181/144
4,625,328 A * 11/1986 Freadman H04R 3/04
381/111
4,733,748 A * 3/1988 Ponticelli, Jr. H04R 1/025
181/141
4,852,178 A * 7/1989 Inkman H04R 1/025
181/171
4,898,260 A * 2/1990 Fang H04R 1/288
181/148
4,939,703 A * 7/1990 Muller G10K 11/26
181/123
D318,671 S * 7/1991 Naumann D14/221
D320,020 S * 9/1991 Iwano D14/216

5,073,948 A * 12/1991 Vandersteen H04R 9/06
381/412
5,088,574 A * 2/1992 Kertesz, III H04R 1/025
181/150
5,455,396 A * 10/1995 Willard H04R 7/20
181/172
D393,641 S * 4/1998 Hai-Fu D14/216
D442,945 S * 5/2001 Mahgerefteh D14/221
6,349,142 B1 * 2/2002 Teng G10K 9/15
181/199
6,493,452 B1 * 12/2002 Koizumi H04R 1/24
181/144
6,516,076 B1 * 2/2003 Marlin G10K 11/004
181/159
D473,216 S * 4/2003 Irby D14/222
6,574,344 B1 * 6/2003 Wiener H04R 1/345
181/152
D484,116 S * 12/2003 Proni D14/216
6,868,165 B1 * 3/2005 Fabian H04R 9/022
381/397
6,950,530 B2 * 9/2005 Baird H04R 1/345
381/340
D511,155 S * 11/2005 Pires D14/221
D522,496 S * 6/2006 Smith D14/221
7,324,656 B2 * 1/2008 Iwayama H04R 1/345
381/189
D568,300 S * 5/2008 Akaishi D14/222
D570,336 S * 6/2008 Suzuki D14/224
D577,005 S * 9/2008 Amai D14/216
7,686,129 B2 * 3/2010 Delgado, Jr. H04R 1/30
181/148
8,175,321 B2 * 5/2012 Bryant H04R 7/122
381/396
D674,375 S * 1/2013 Robineau D14/221
8,422,714 B2 * 4/2013 Peng H04R 1/2803
181/155
8,731,232 B2 * 5/2014 Niidera H04R 9/06
381/396
8,965,009 B2 * 2/2015 Kim H04R 9/02
381/117
9,386,361 B2 * 7/2016 Sprinkle H04R 1/30

* cited by examiner

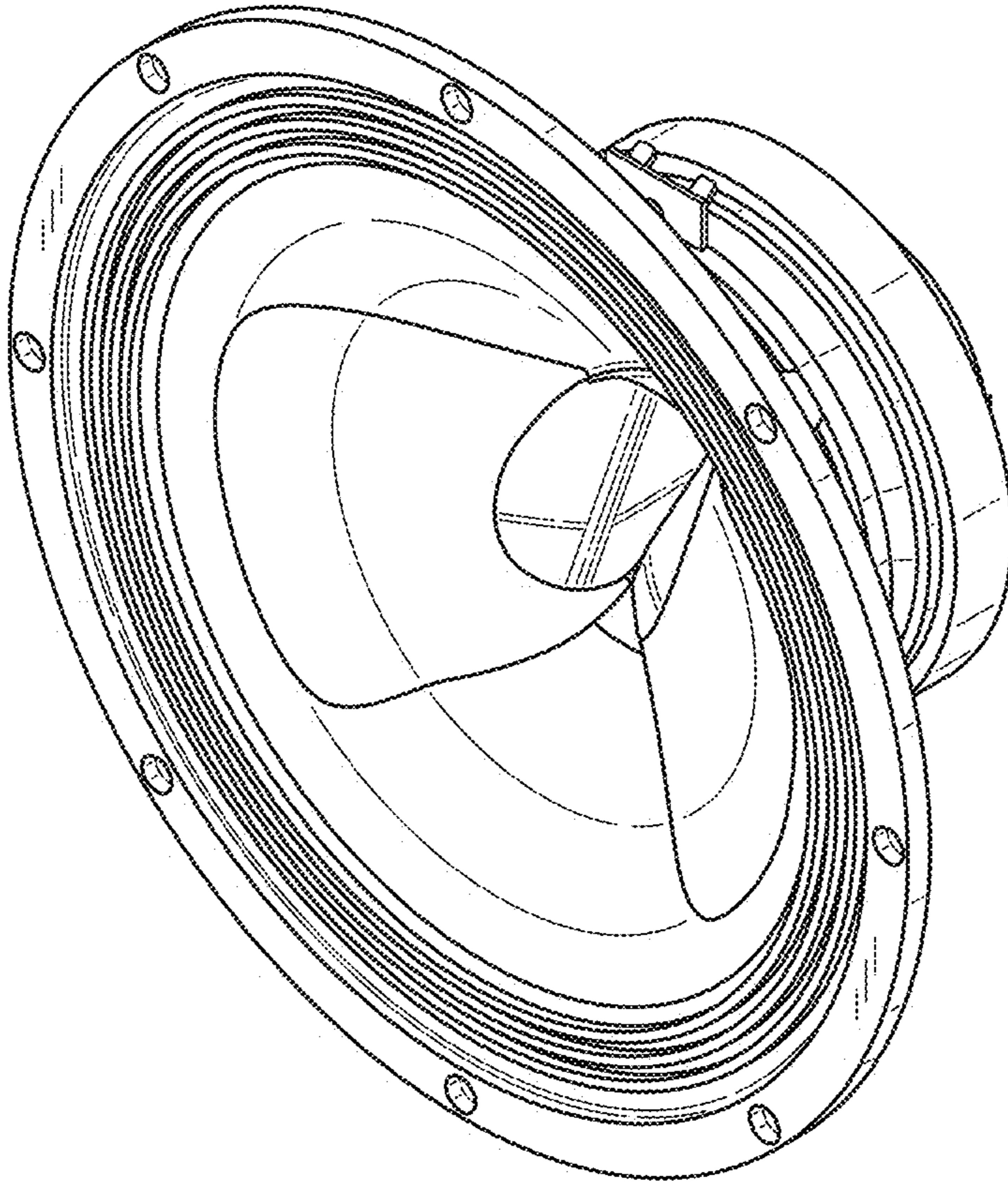


Fig. 1

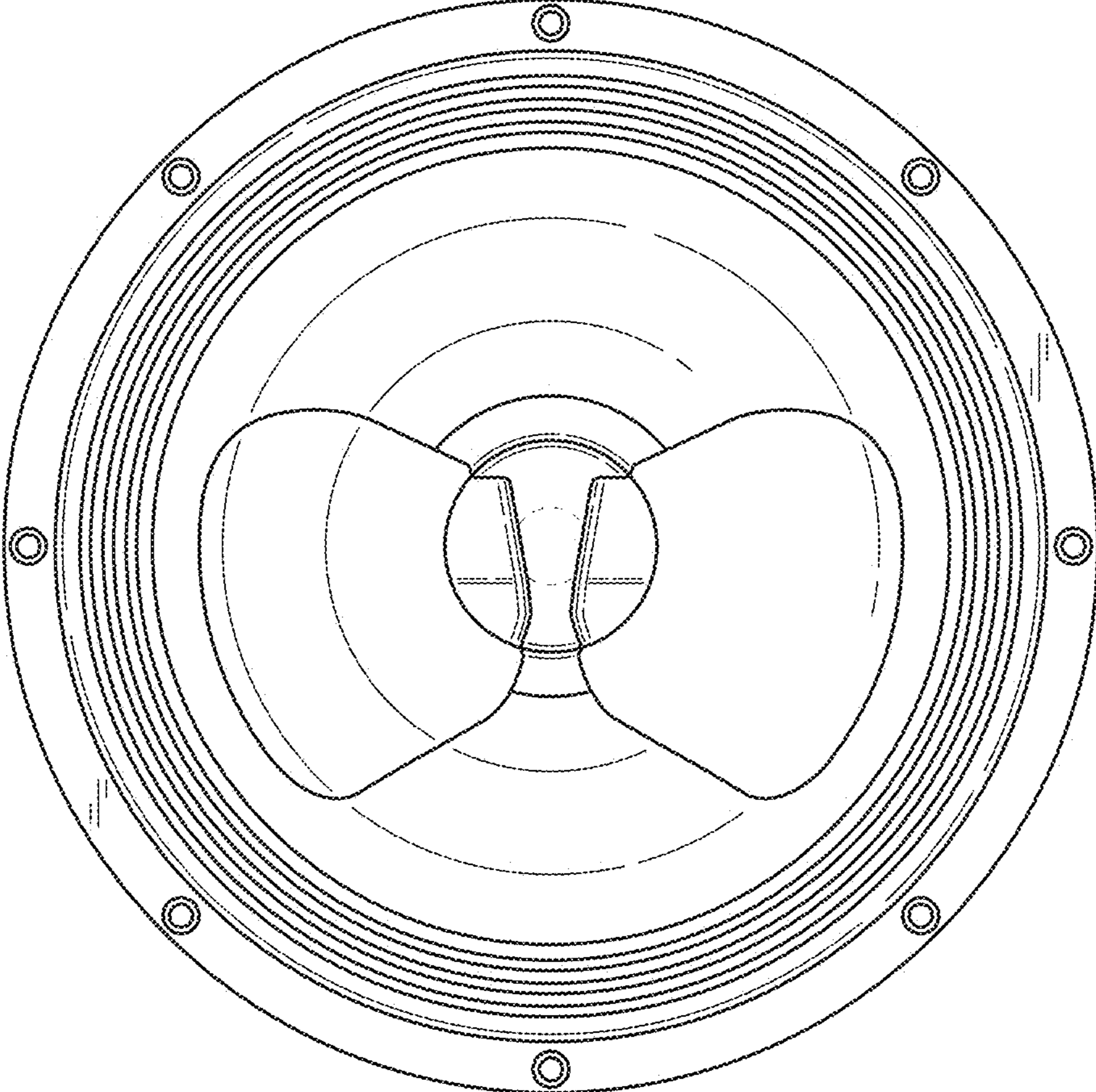


Fig. 2

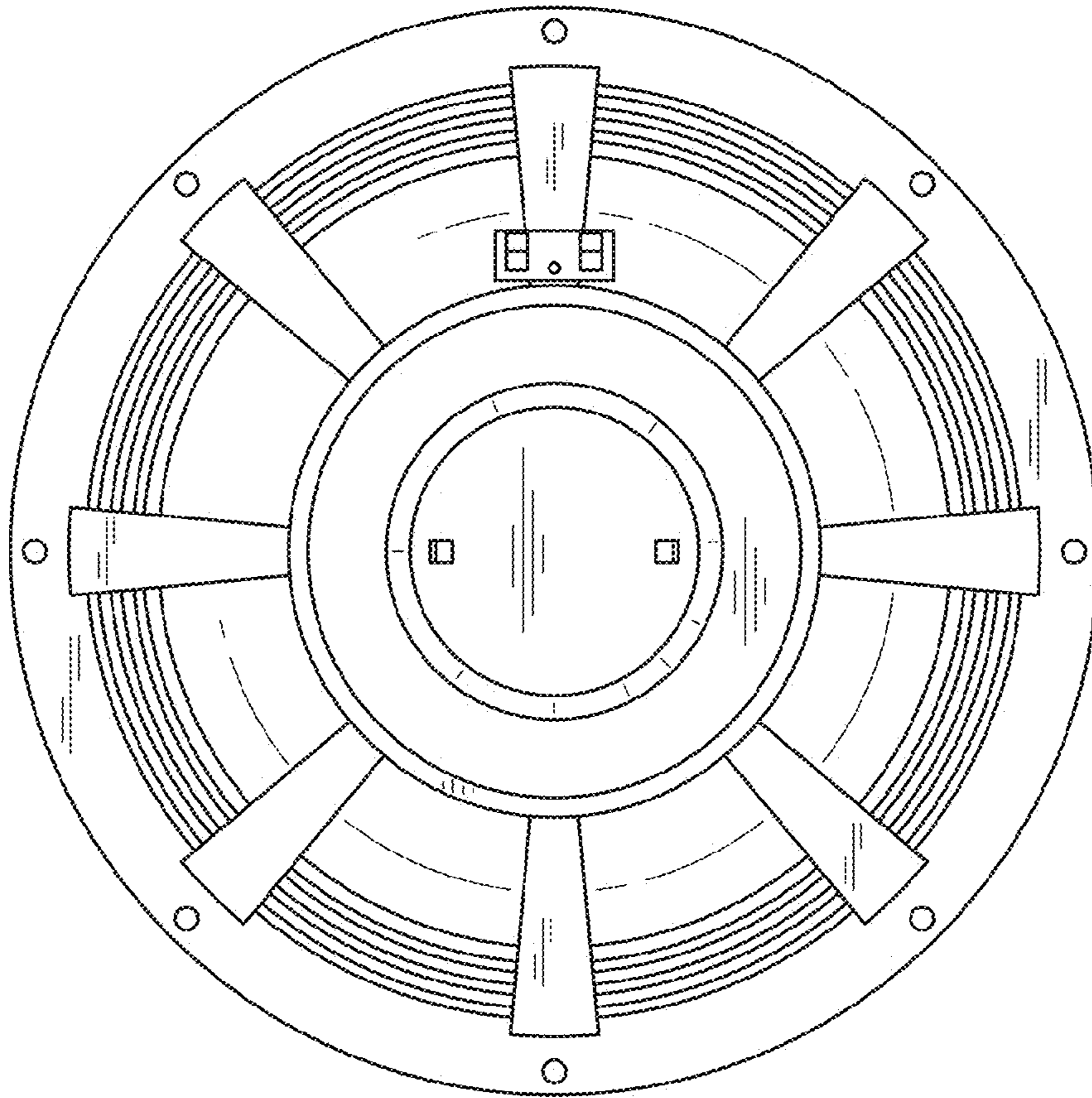


Fig. 3

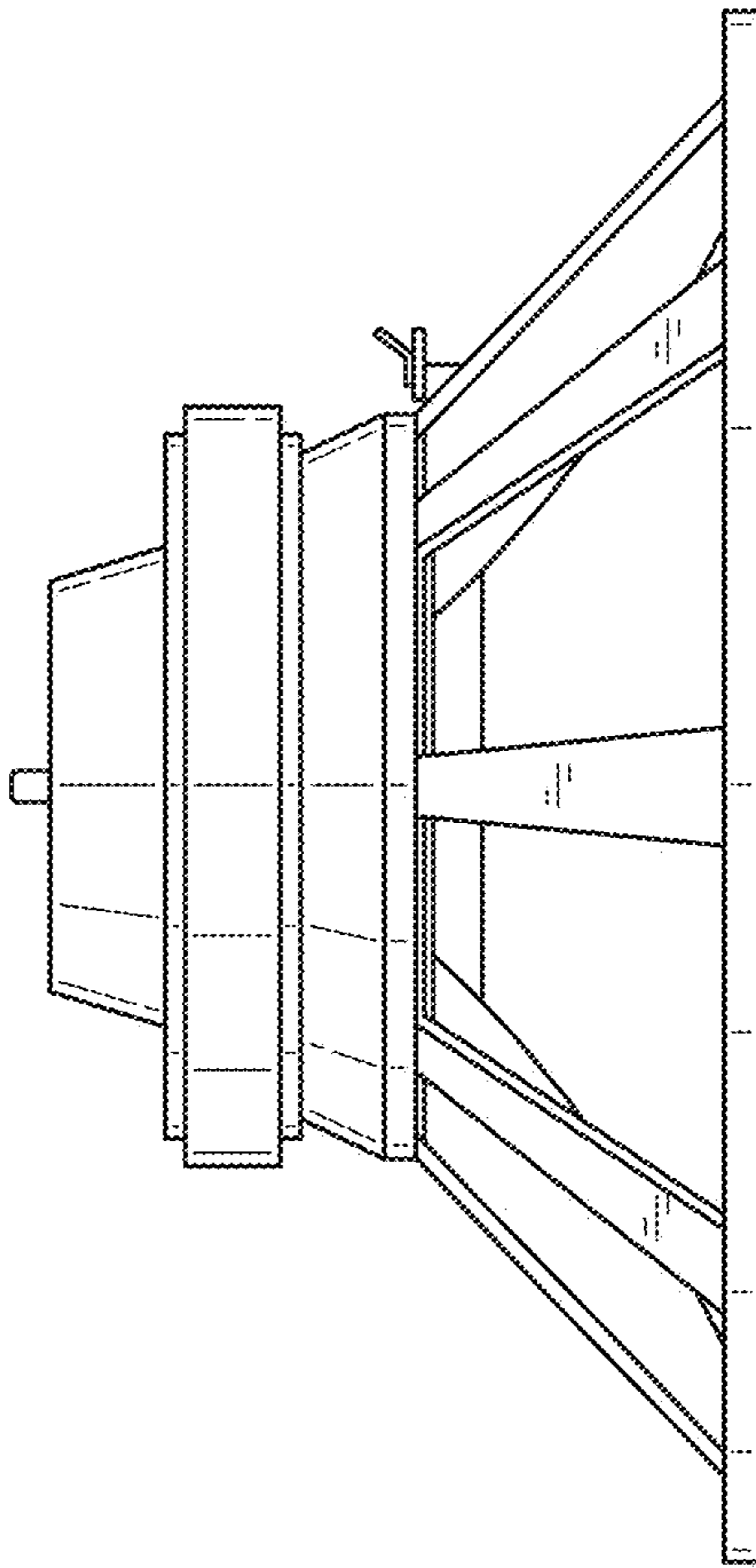


Fig. 4

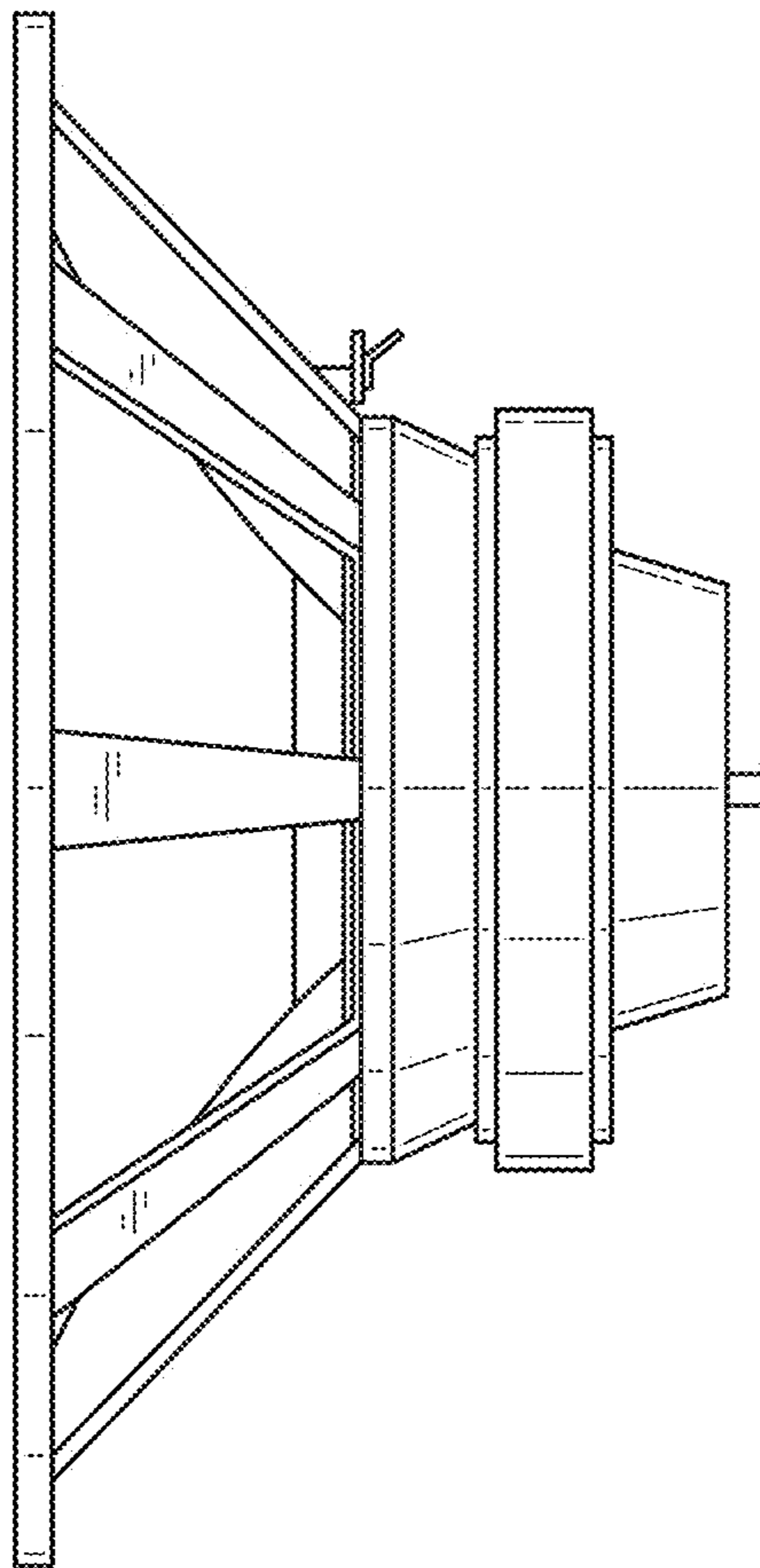


Fig. 5

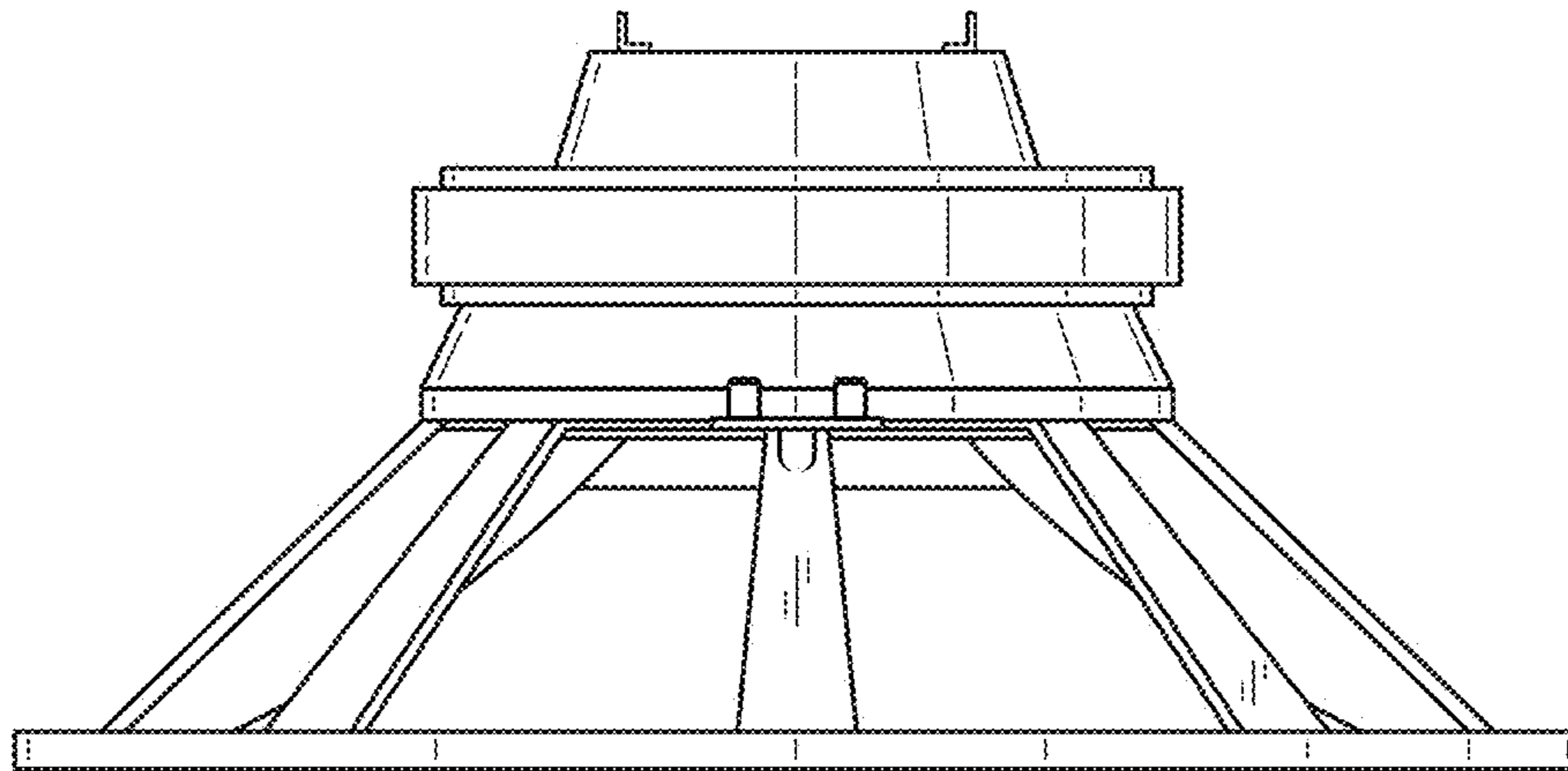


Fig. 6

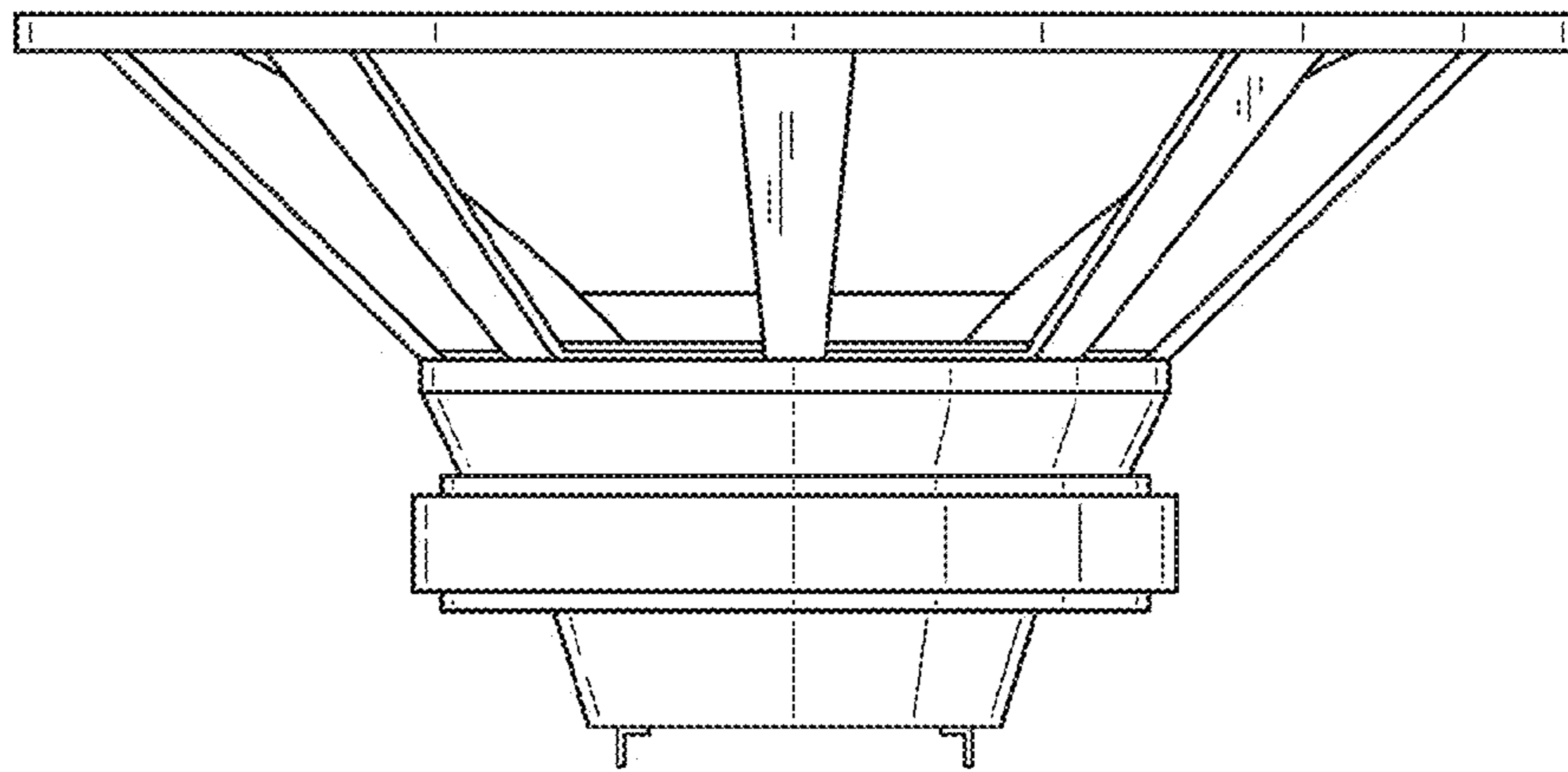


Fig. 7