



US00D767534S

(12) **United States Design Patent**  
**Xiong**

(10) **Patent No.:** **US D767,534 S**

(45) **Date of Patent:** **\*\* Sep. 27, 2016**

(54) **BLUETOOTH LOUDSPEAKER**

(71) Applicants: **Shenzhen Zhiluling Technology Co., Ltd.**, Shenzhen (CN); **Hong Kong Parkly Technology Limited**, Central (HK)

(72) Inventor: **Shijie Xiong**, Shenzhen (CN)

(\*\*) Term: **15 Years**

(21) Appl. No.: **29/533,995**

(22) Filed: **Jul. 24, 2015**

(30) **Foreign Application Priority Data**

Jan. 26, 2015 (CN) ..... 2015 3 0022764

(51) **LOC (10) Cl.** ..... **14-03**

(52) **U.S. Cl.**  
USPC ..... **D14/214**

(58) **Field of Classification Search**

USPC ..... D14/167, 168, 170-172, 188, 194-196, D14/204, 207, 209.1, 210-216, 219, 221, D14/222, 224, 239, 496; 181/143, 144, 147, 181/148, 150, 153, 157, 198, 199; 381/300-303, 306, 332, 333, 336, 345, 381/361-364, 386-388; 369/6-12  
CPC ... B60R 11/0217; G06F 1/1688; G10K 9/22; G10K 11/004; H03F 1/327; H04M 1/03; H04M 1/035; H04N 5/642; H04N 21/4852; H04R 1/02; H04R 1/06; H04R 1/021; H04R 1/025; H04R 1/026; H04R 1/028; H04R 1/105; H04R 1/323; H04R 1/403; H04R 1/2803; H04R 1/2834; H04R 5/02; H04R 7/20; H04R 9/06; H04R 9/025; H04R

2201/021; H04R 2400/00; H04R 2400/07; H04R 2499/11; H04R 2499/13; H04R 2499/15; H04S 3/00; H04S 7/30

See application file for complete search history.

(56) **References Cited**

U.S. PATENT DOCUMENTS

D578,104 S *	10/2008	Schoffmann	.....	D14/214
D710,328 S *	8/2014	Kim	.....	D14/212
D711,354 S *	8/2014	Florczak	.....	D14/215
D715,258 S *	10/2014	Osborn	.....	D14/212
D741,839 S *	10/2015	Osborn	.....	D14/214

\* cited by examiner

*Primary Examiner* — Keli L Hill

(74) *Attorney, Agent, or Firm* — Prakash Nama; Global IP Services, PLLC

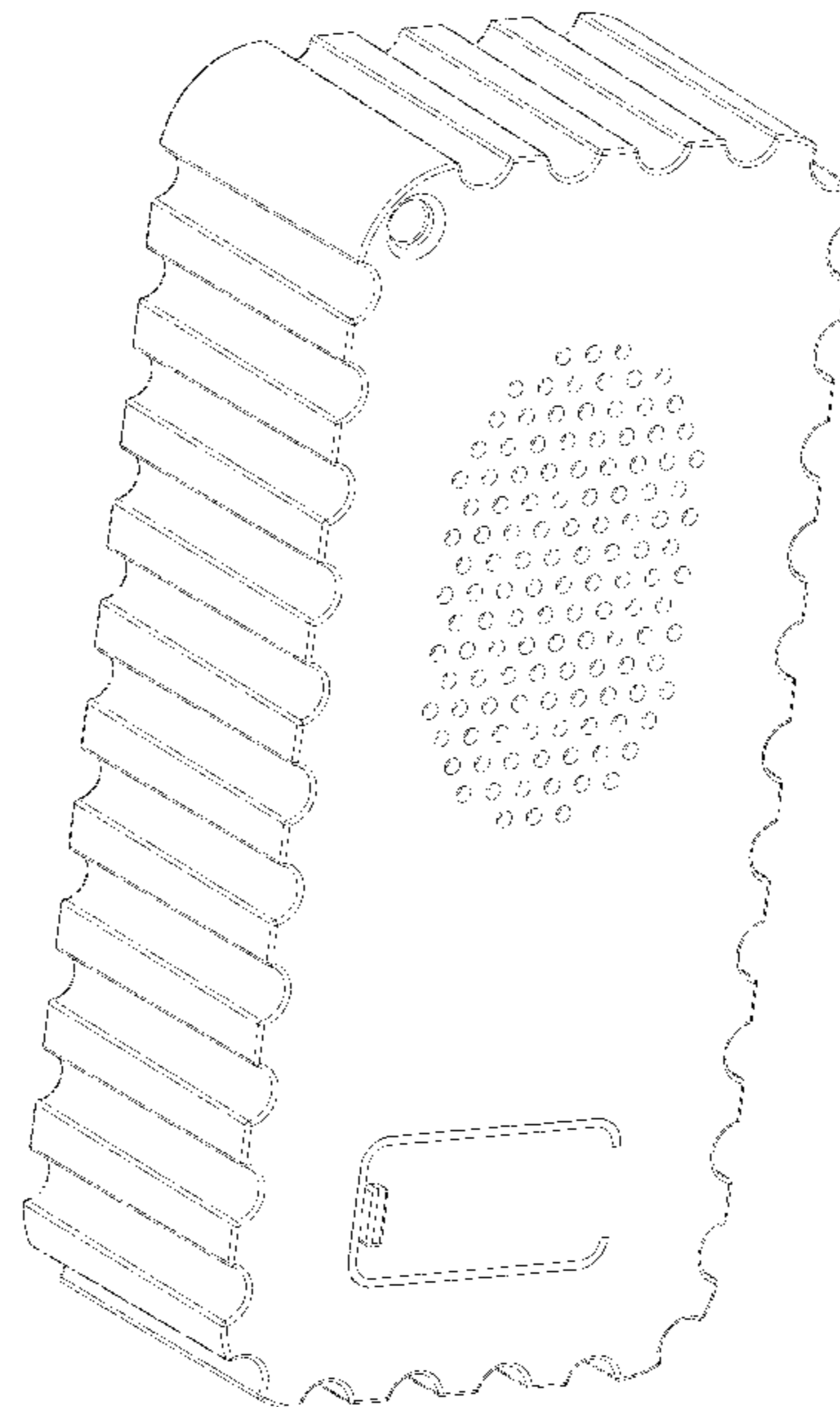
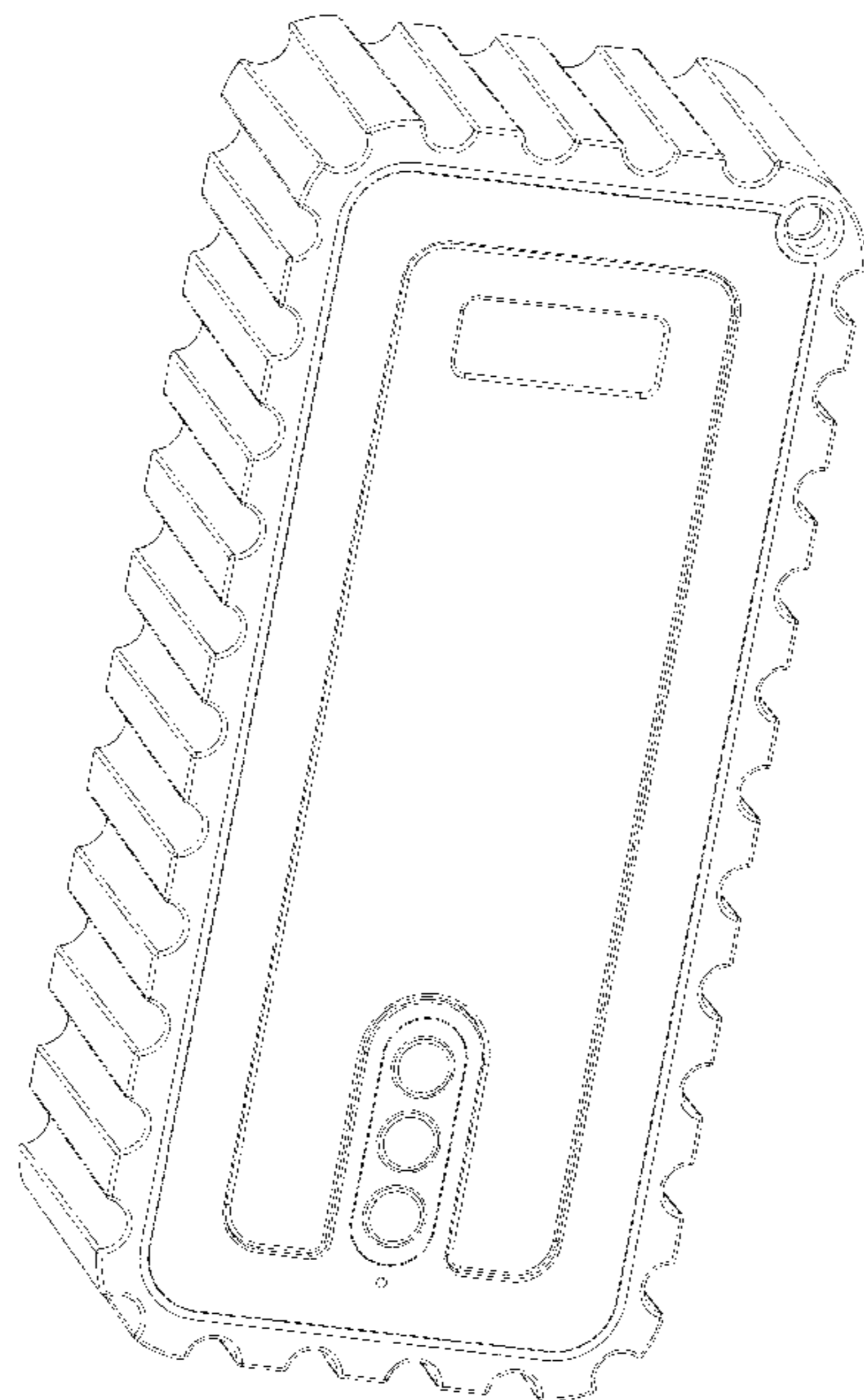
(57) **CLAIM**

The ornamental design for a bluetooth loudspeaker, as shown.

**DESCRIPTION**

FIG. 1 is a front elevational view of a bluetooth loudspeaker showing my new design;  
FIG. 2 is a rear elevational view thereof;  
FIG. 3 is a left side view thereof;  
FIG. 4 is a right side view thereof;  
FIG. 5 is a top plan view thereof;  
FIG. 6 is a bottom plan view thereof;  
FIG. 7 is a perspective view thereof; and,  
FIG. 8 is another perspective view thereof.

**1 Claim, 7 Drawing Sheets**



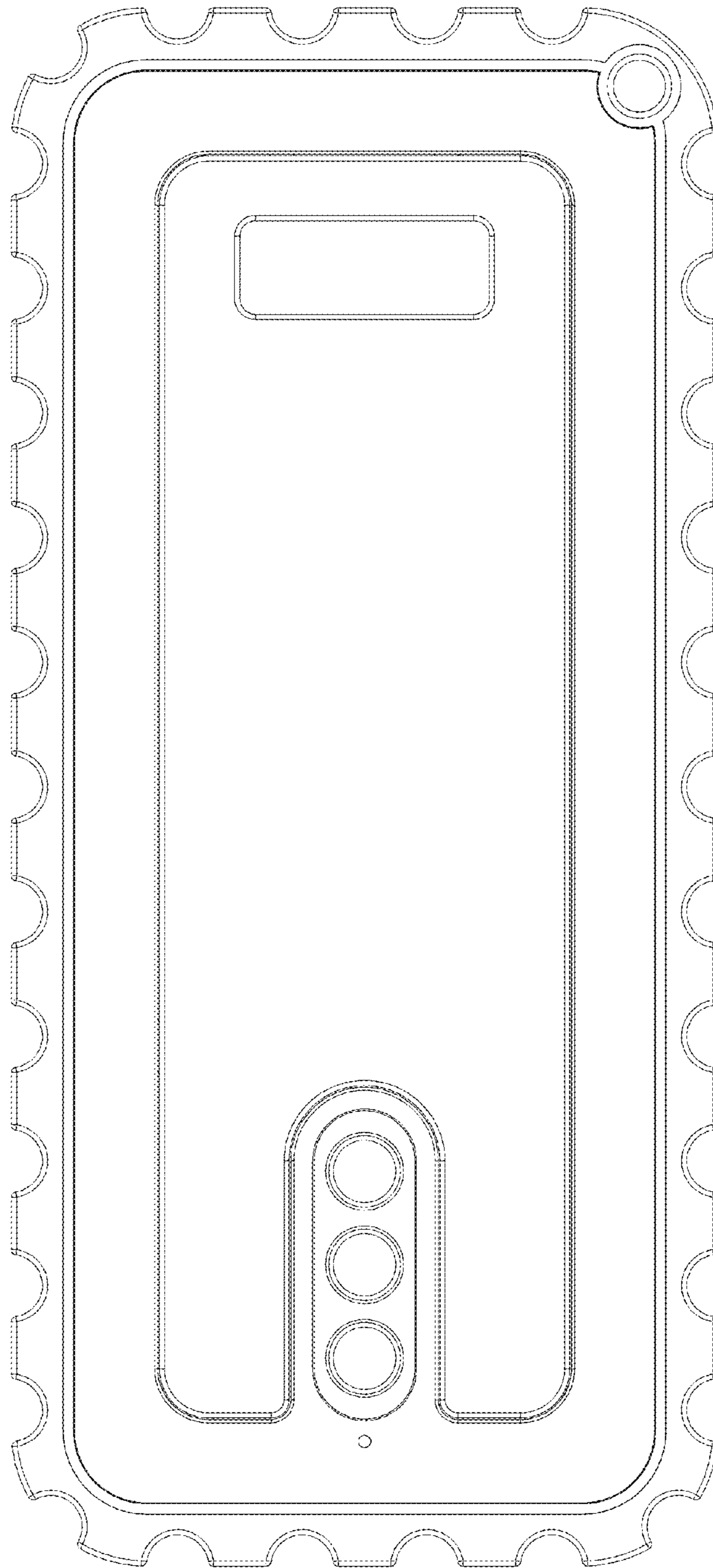


FIG. 1

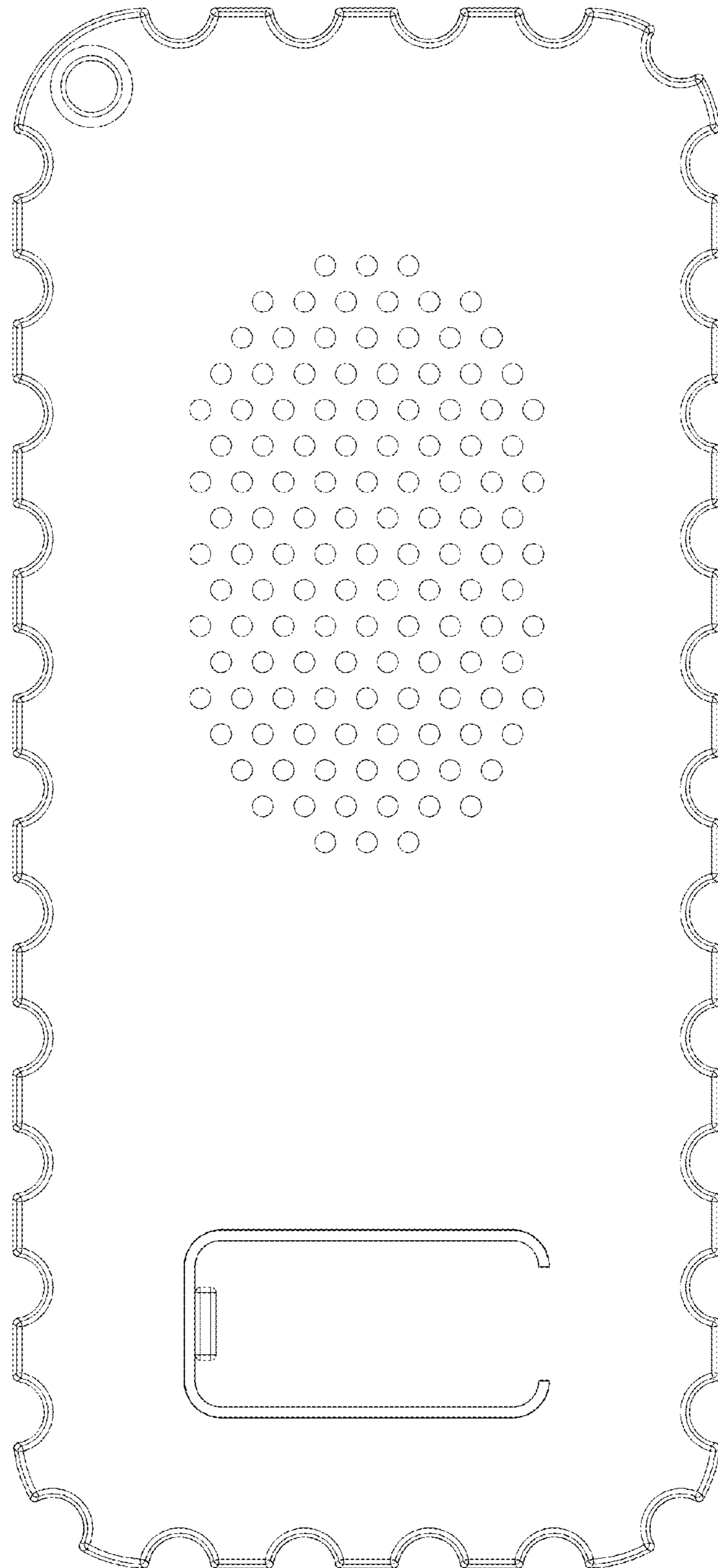


FIG. 2

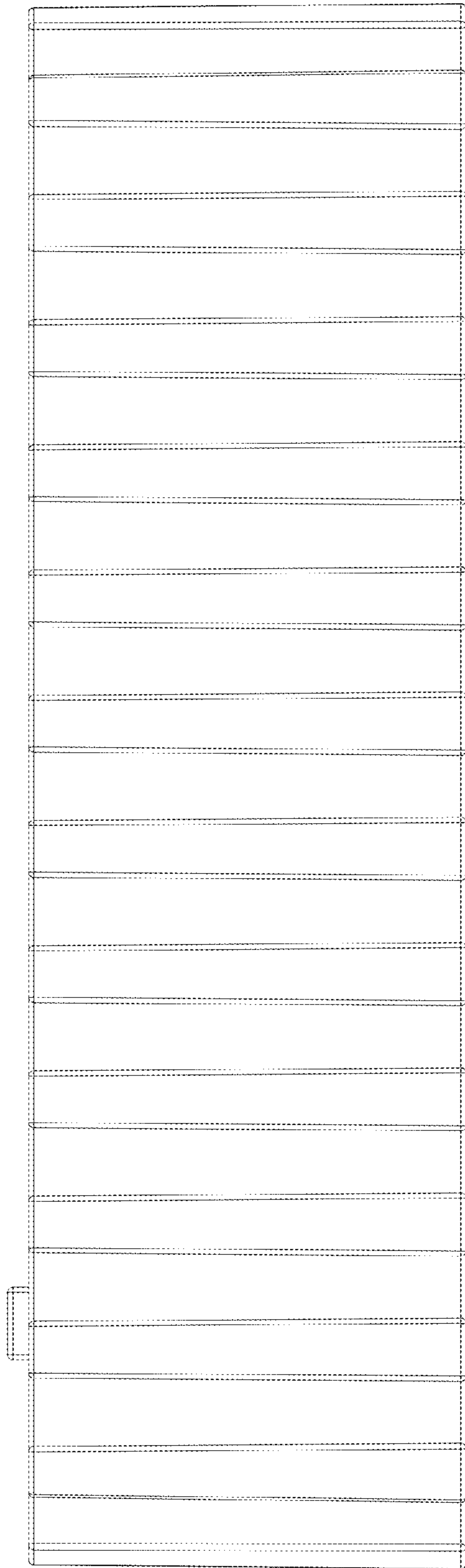


FIG. 3



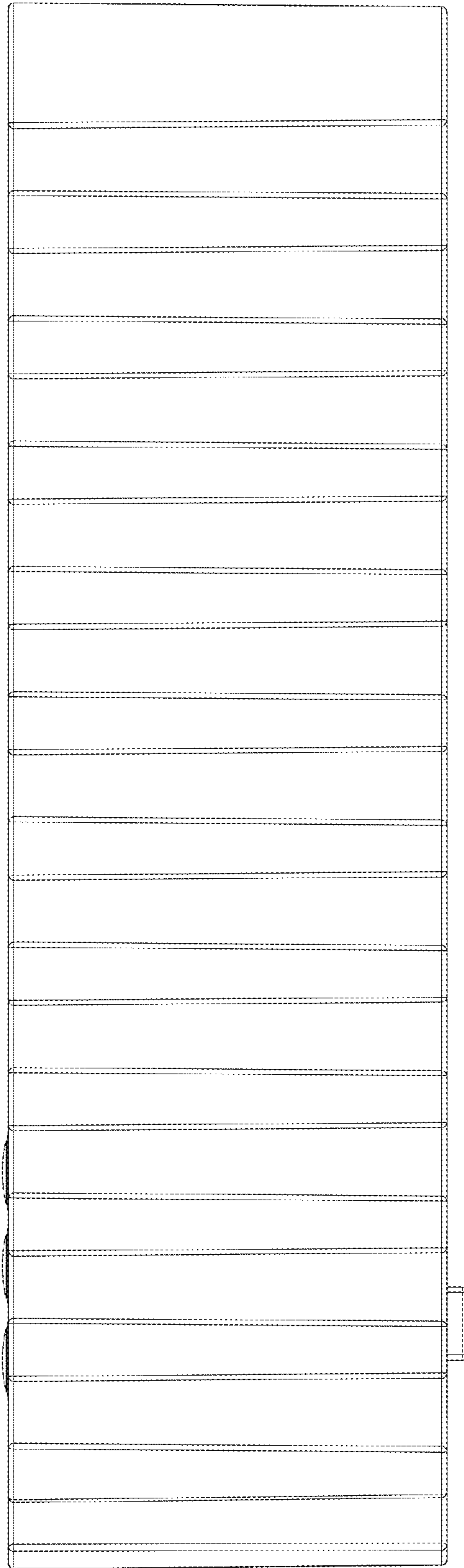


FIG. 4

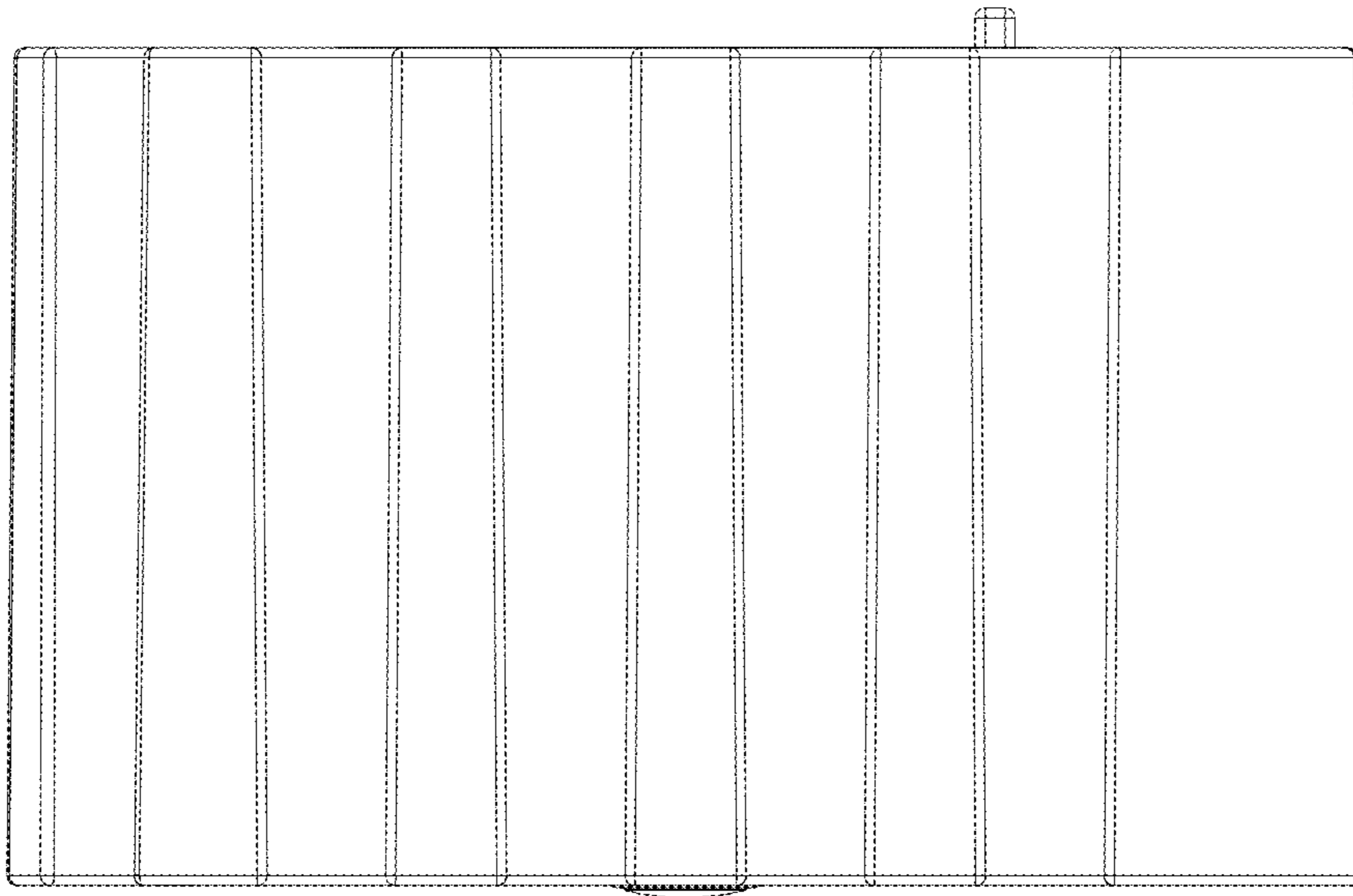


FIG. 5

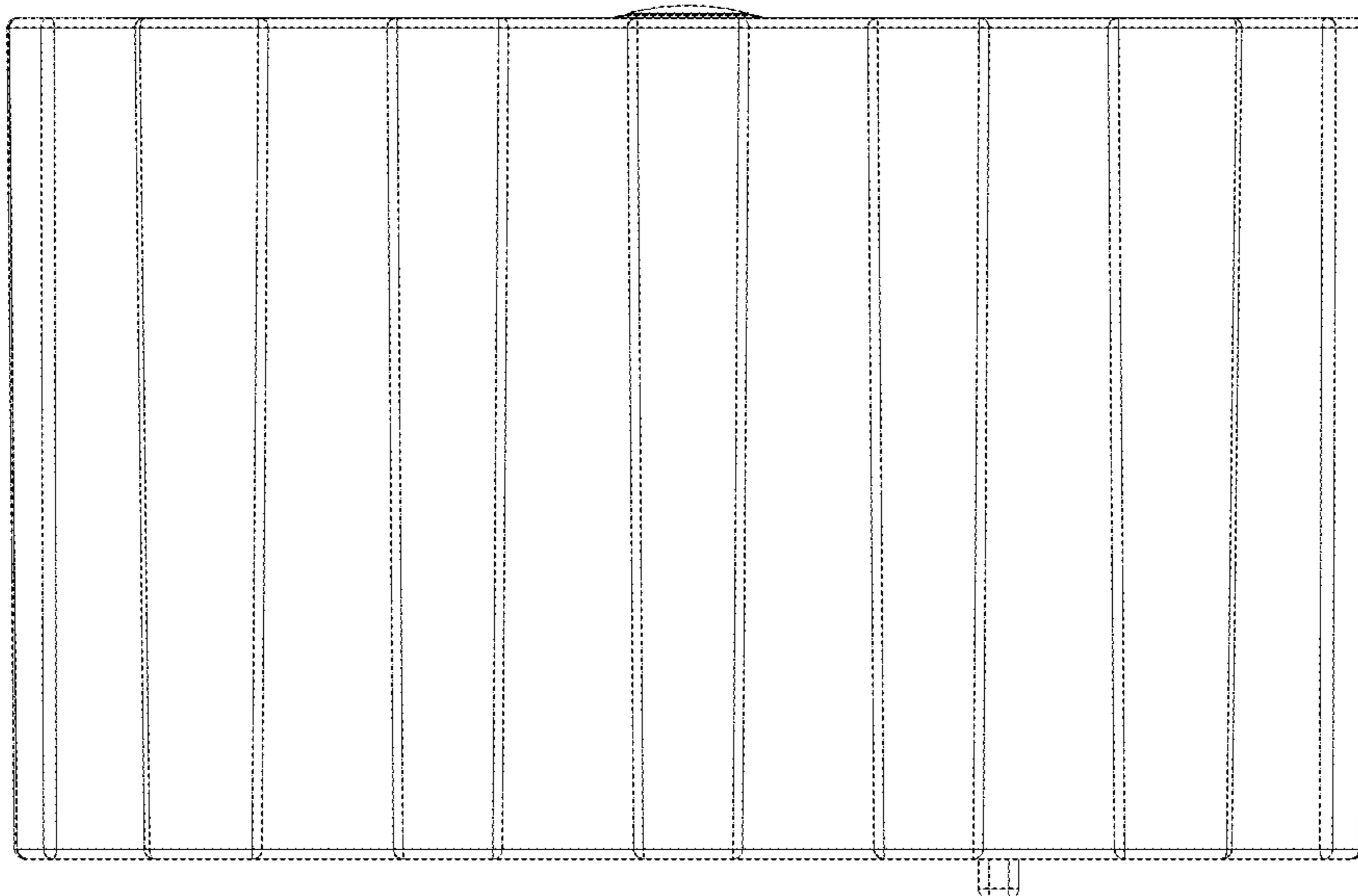


FIG. 6

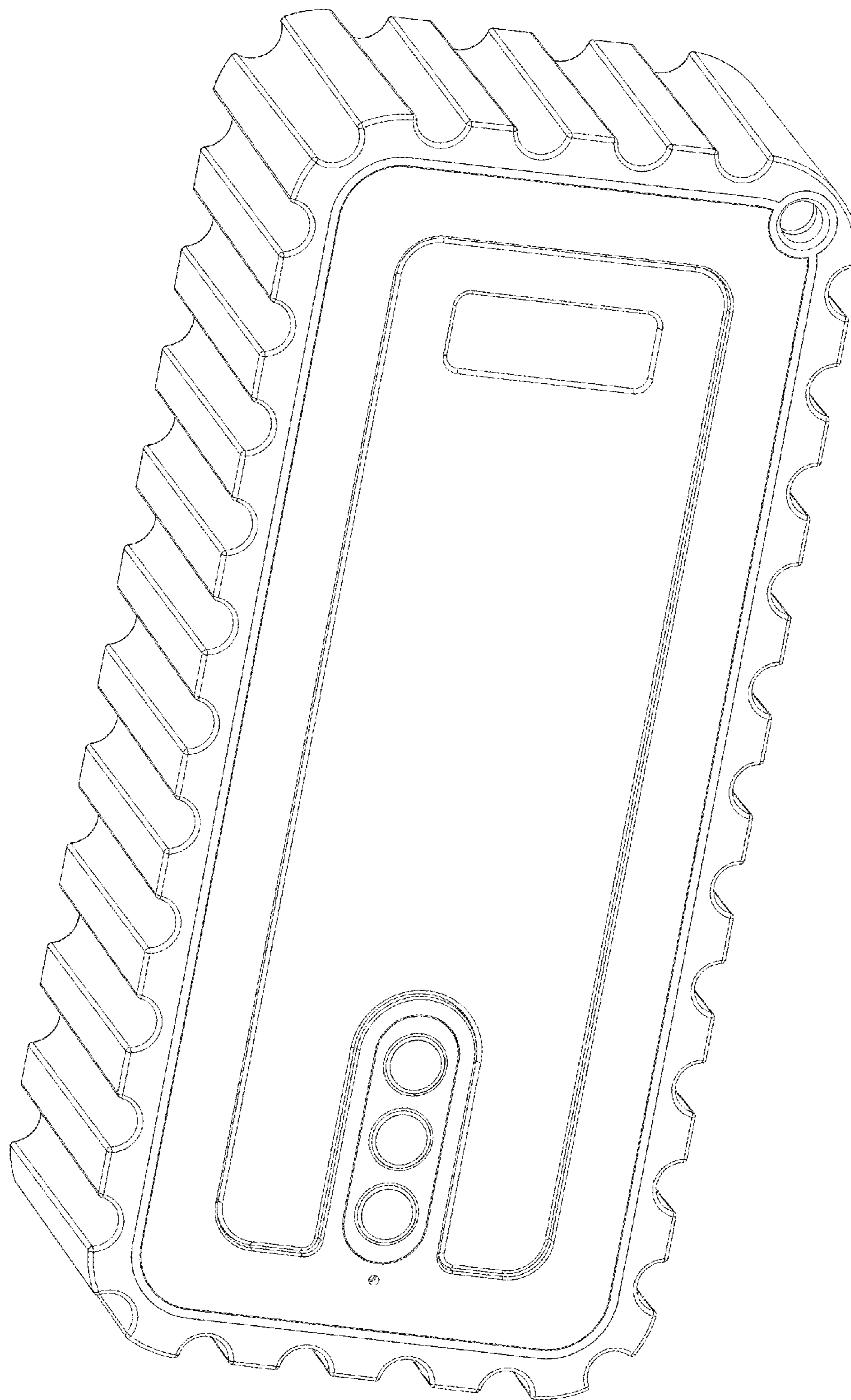


FIG. 7

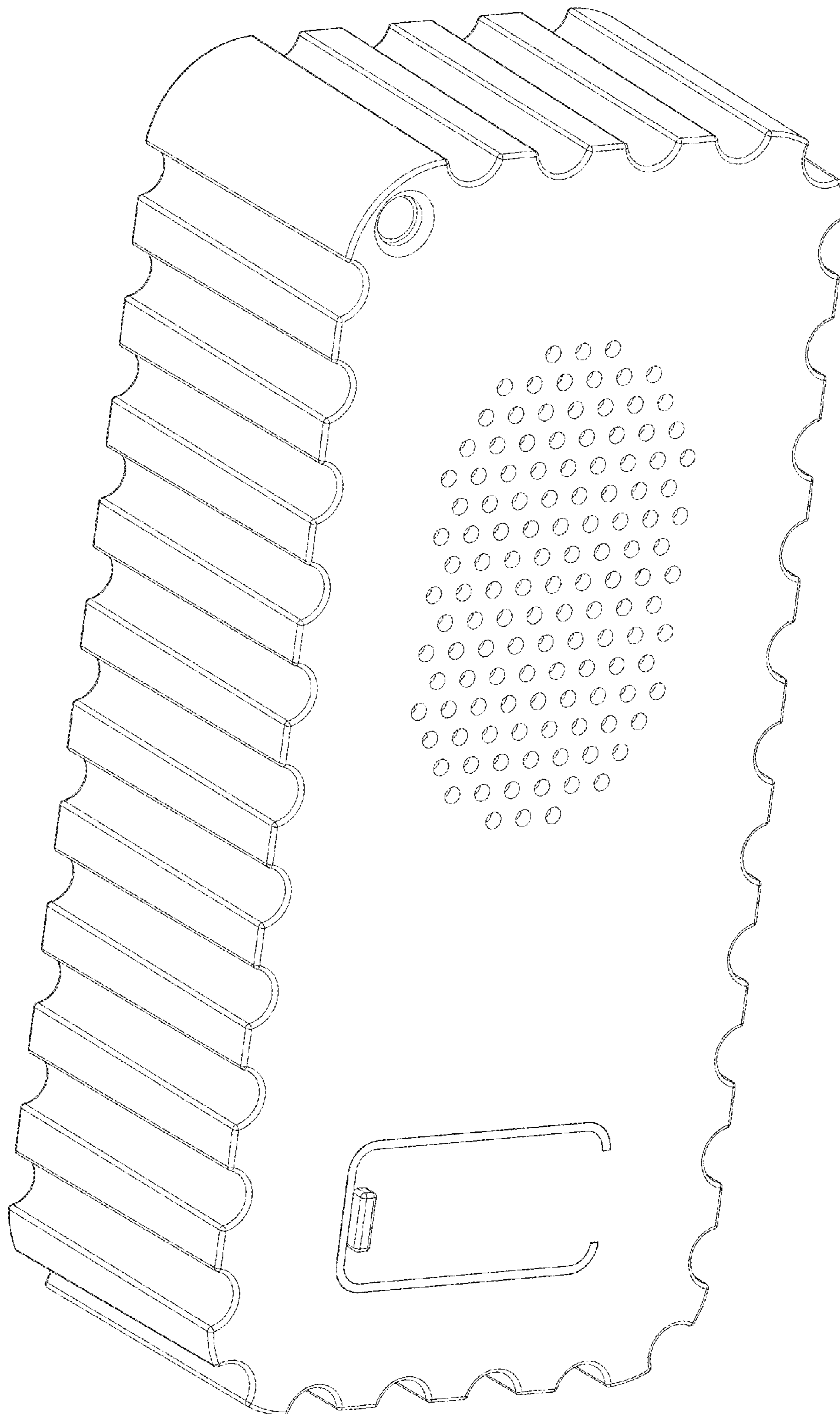


FIG. 8