



US00D767532S

(12) **United States Design Patent**  
**Jen**

(10) **Patent No.:** **US D767,532 S**  
(45) **Date of Patent:** **\*\* Sep. 27, 2016**

- (54) **TANGLE FREE EARPHONE**
- (71) Applicant: **Jerry Jen**, Arcadia, CA (US)
- (72) Inventor: **Jerry Jen**, Arcadia, CA (US)
- (\*\*) Term: **14 Years**
- (21) Appl. No.: **29/517,724**
- (22) Filed: **Feb. 16, 2015**
- (51) **LOC (10) Cl.** ..... **14-01**
- (52) **U.S. Cl.**  
USPC ..... **D14/205**
- (58) **Field of Classification Search**  
USPC ..... D14/205, 223; 181/129, 130, 135;  
D13/168, 171, 153; 174/71 R, 72 A;  
381/380, 381, 384, 370, 374, 375;  
379/430, 431; 455/90.3, 575.1  
CPC ..... H04R 1/1033  
See application file for complete search history.

(56) **References Cited**

**U.S. PATENT DOCUMENTS**

- 3,440,365 A \* 4/1969 Hazell ..... H04M 1/05  
379/430
- 5,410,608 A \* 4/1995 Lucey ..... H04R 1/083  
381/360
- 5,659,156 A \* 8/1997 Mauney ..... H04R 1/1016  
181/130
- 6,198,821 B1 \* 3/2001 Yang ..... H01R 13/70  
379/420.04
- D535,642 S \* 1/2007 Garcia ..... D14/206
- D550,657 S \* 9/2007 Gan ..... D14/223
- D578,507 S \* 10/2008 Ando ..... D14/205
- D593,076 S \* 5/2009 Kung ..... D14/223
- D598,901 S \* 8/2009 Lee ..... D14/223
- 7,639,842 B2 \* 12/2009 Kelle ..... G01C 11/00  
381/109
- D632,677 S \* 2/2011 Brown ..... D14/223
- D636,756 S \* 4/2011 Fahrendorff ..... D14/205
- D637,998 S \* 5/2011 Brunner ..... D14/205
- D643,414 S \* 8/2011 Lee ..... D14/205
- 8,073,181 B2 \* 12/2011 Bakalos ..... H04R 3/04  
381/103
- D653,235 S \* 1/2012 McManigal ..... D14/205

- 8,144,915 B2 \* 3/2012 Hankey ..... H01H 9/0228  
381/370
- D658,157 S \* 4/2012 McManigal ..... D14/205
- D659,117 S \* 5/2012 Krauss ..... D14/205

(Continued)

*Primary Examiner* — Paula Greene

(74) *Attorney, Agent, or Firm* — Che-Yang Chen; Law Offices of Scott Warmuth

(57) **CLAIM**

The ornamental design for tangle free earphone, as shown and described.

**DESCRIPTION**

FIG. 1 is a front view of the tangle free earphone showing my new design, the cord is drawn broken away for indeterminate length;

FIG. 2 is a top view thereof;

FIG. 3 is a bottom view thereof;

FIG. 4 is an exploded front view thereof;

FIG. 5 is an exploded rear view thereof;

FIG. 6 is an exploded side view thereof, the opposite side of the other earphone is a mirror image;

FIG. 7 is an enlarged front view of the earphone shown separately for purposes of illustration thereof, the other earphone is a minor image;

FIG. 8 is an enlarged side view of the earphone thereof, the other earphone is a mirror image;

FIG. 9 is an enlarged side view of the earphone thereof, the other earphone is a mirror image;

FIG. 10 is an enlarged top view of the earphone thereof, the other earphone is a mirror image;

FIG. 11 is an enlarged bottom view of the earphone thereof, the other earphone is a minor image;

FIG. 12 is an enlarged front view of the earphone cable in a closed position shown separately for purposes of illustration;

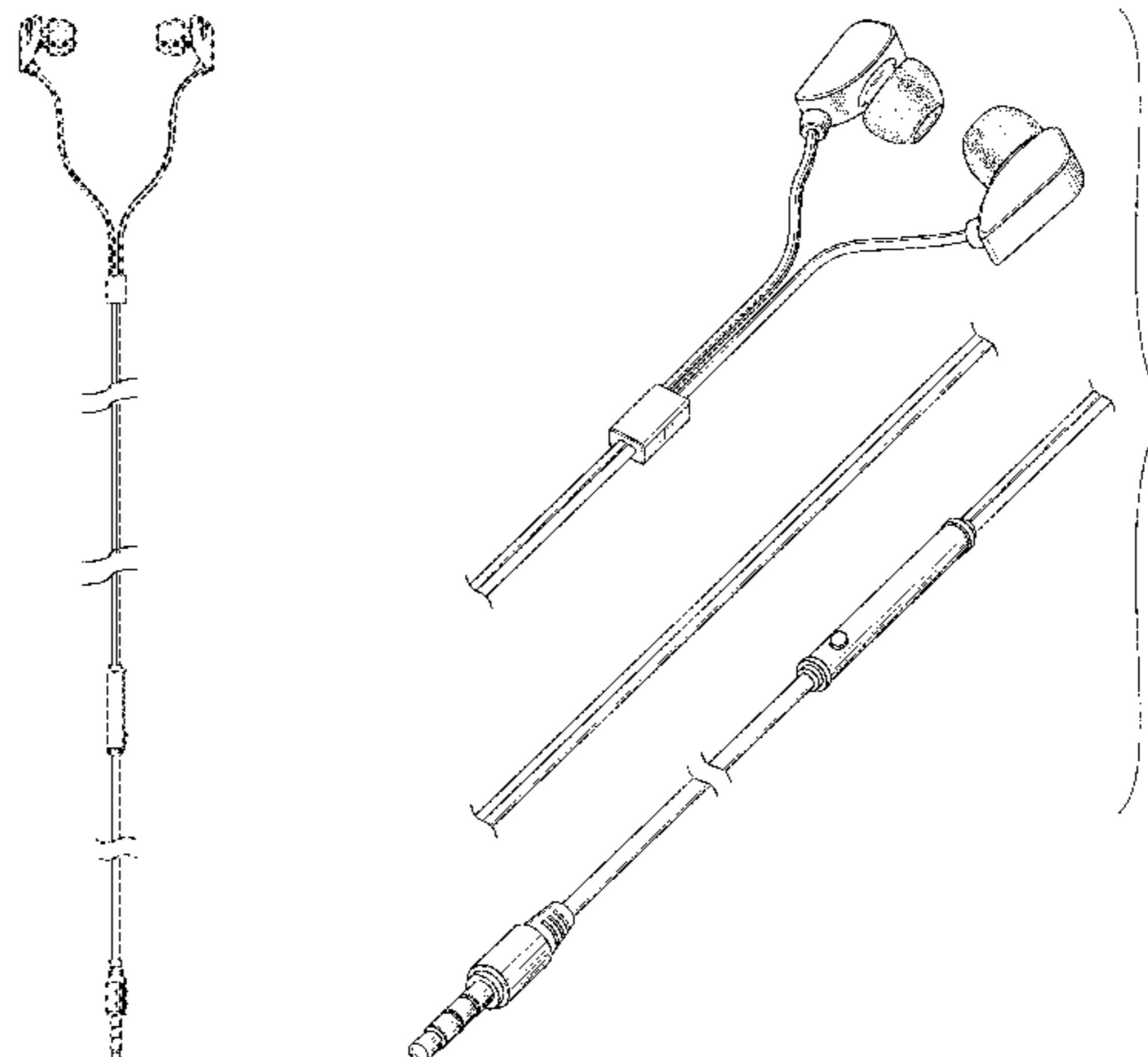
FIG. 13 an enlarged side view thereof;

FIG. 14 is an enlarged perspective view of the earphone cable and pull in an open position thereof.

FIG. 15 is an enlarged perspective view thereof; and,

FIG. 16 is an exploded perspective view thereof.

**1 Claim, 9 Drawing Sheets**



(56)

**References Cited**

U.S. PATENT DOCUMENTS

8,175,315 B2 *	5/2012	Tanaka .....	H04R 1/1016 381/370	9,025,787 B2 *	5/2015	Tung .....	H01R 13/701 381/123
D662,079 S *	6/2012	Fahrendorff .....	D14/205	9,031,264 B2 *	5/2015	Yang .....	H04R 1/1033 381/189
8,218,808 B2 *	7/2012	Xu .....	H04R 1/1033 381/370	D745,489 S *	12/2015	Bjelle .....	D14/205
8,655,006 B2 *	2/2014	Aase .....	B29C 43/203 381/370	2006/0285715 A1 *	12/2006	Drambarean .....	H04R 1/1016 381/380
				2014/0138150 A1 *	5/2014	Huang .....	H04R 1/1033 174/71 R

\* cited by examiner

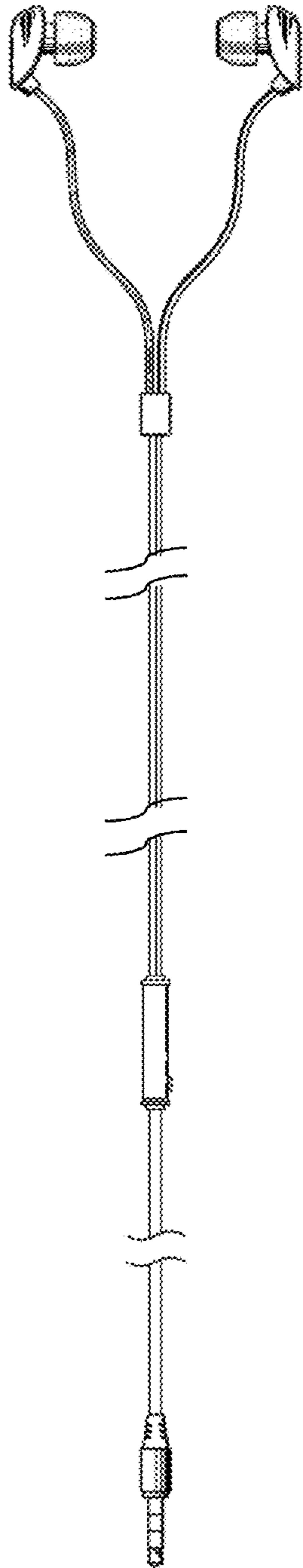


FIG. 1

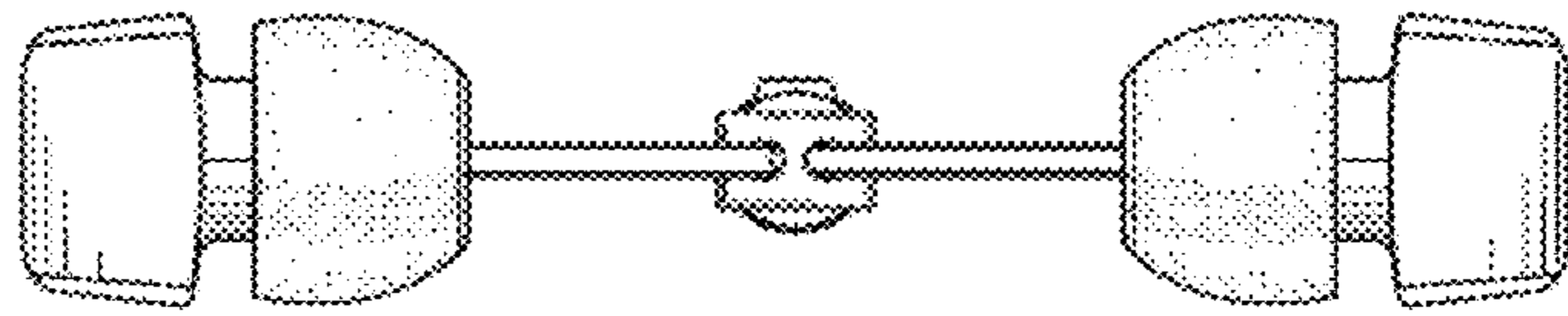


FIG. 2

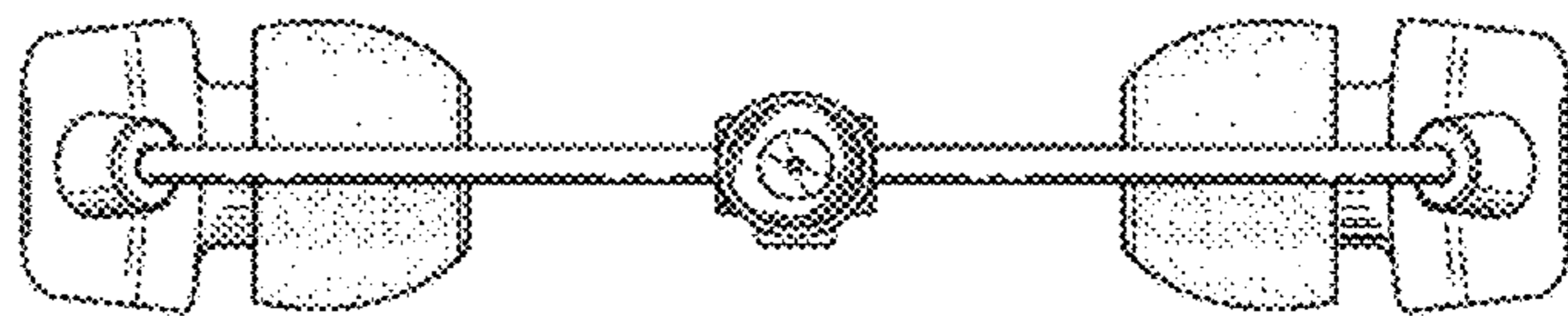


FIG. 3

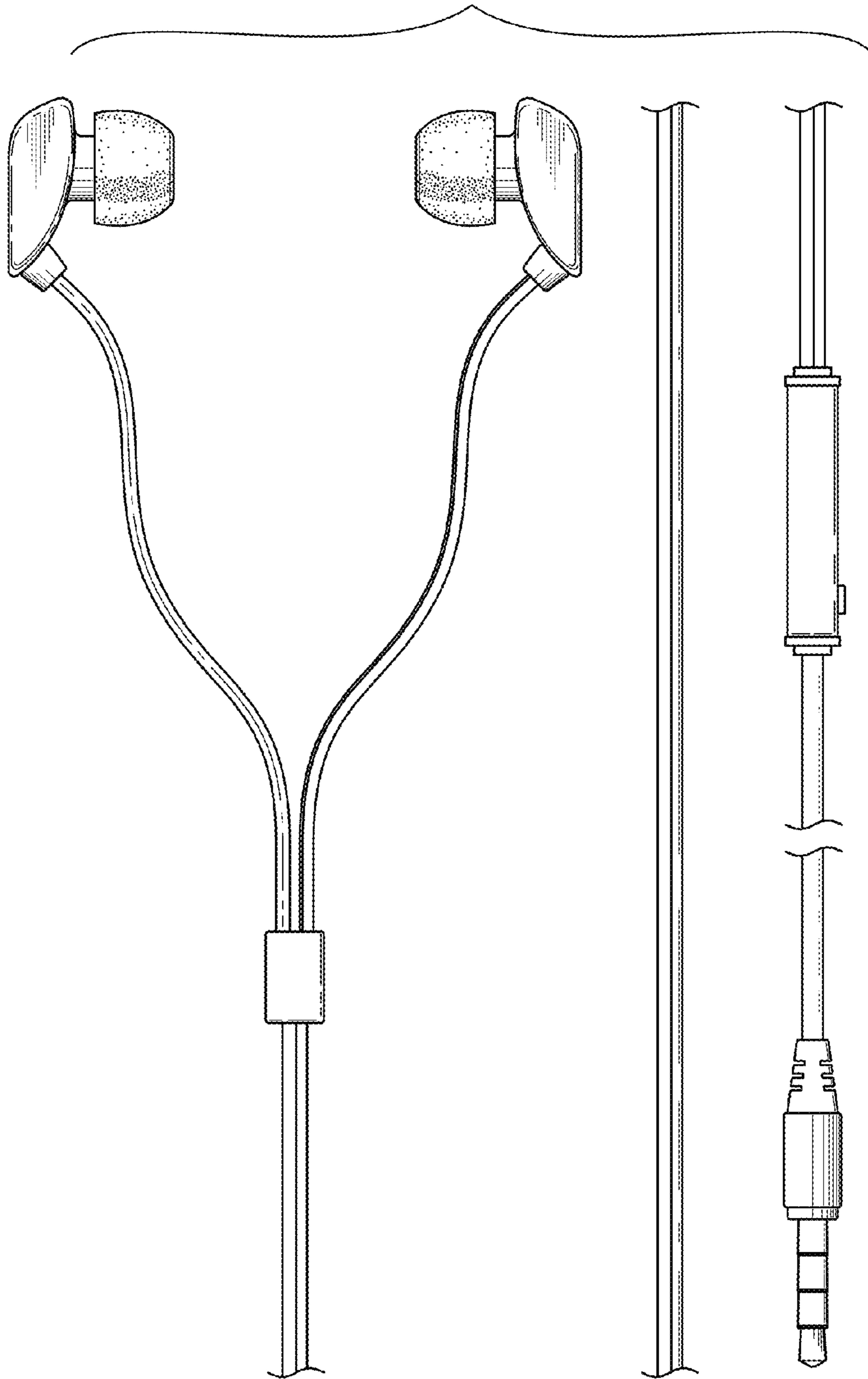


FIG. 4

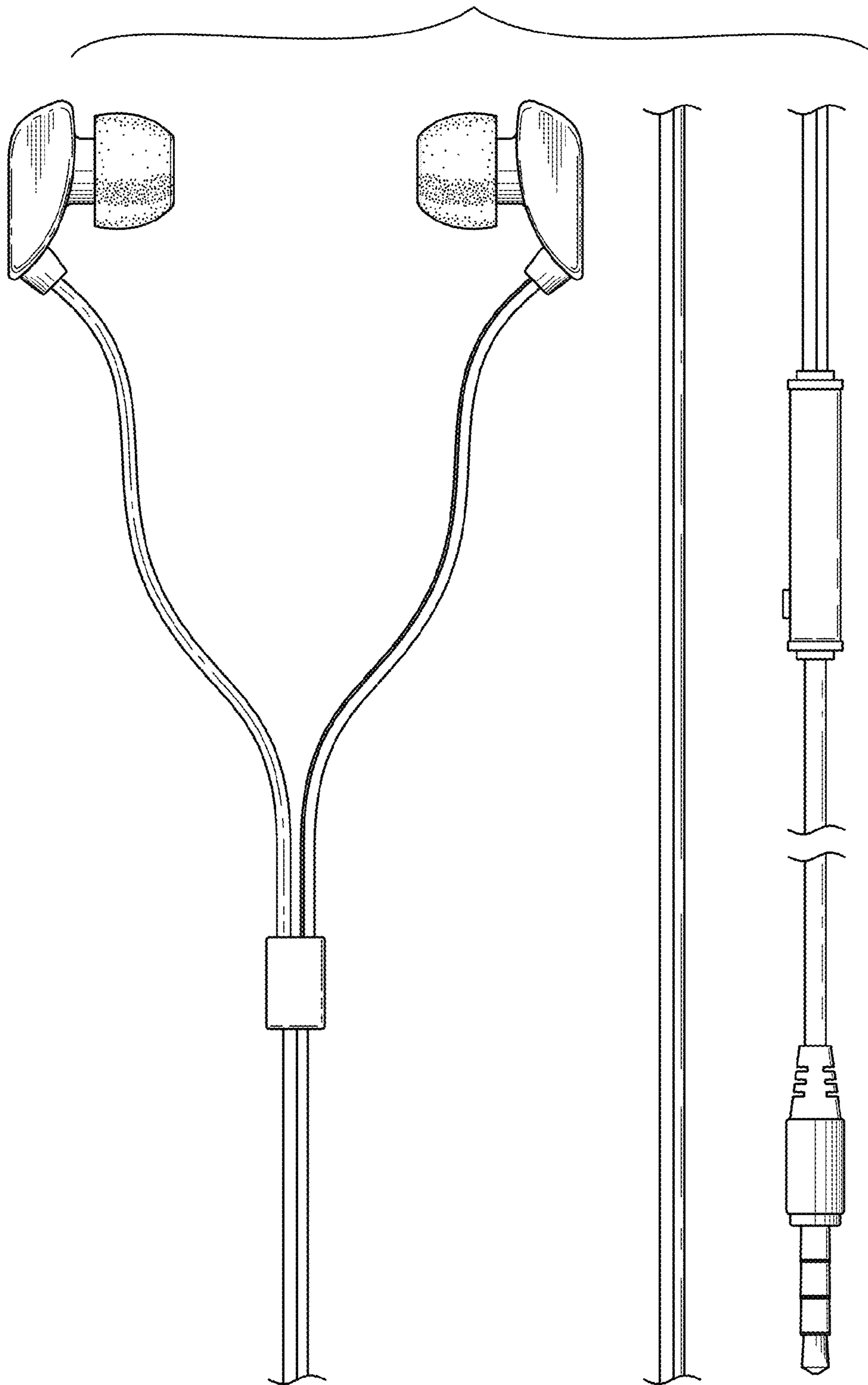


FIG. 5



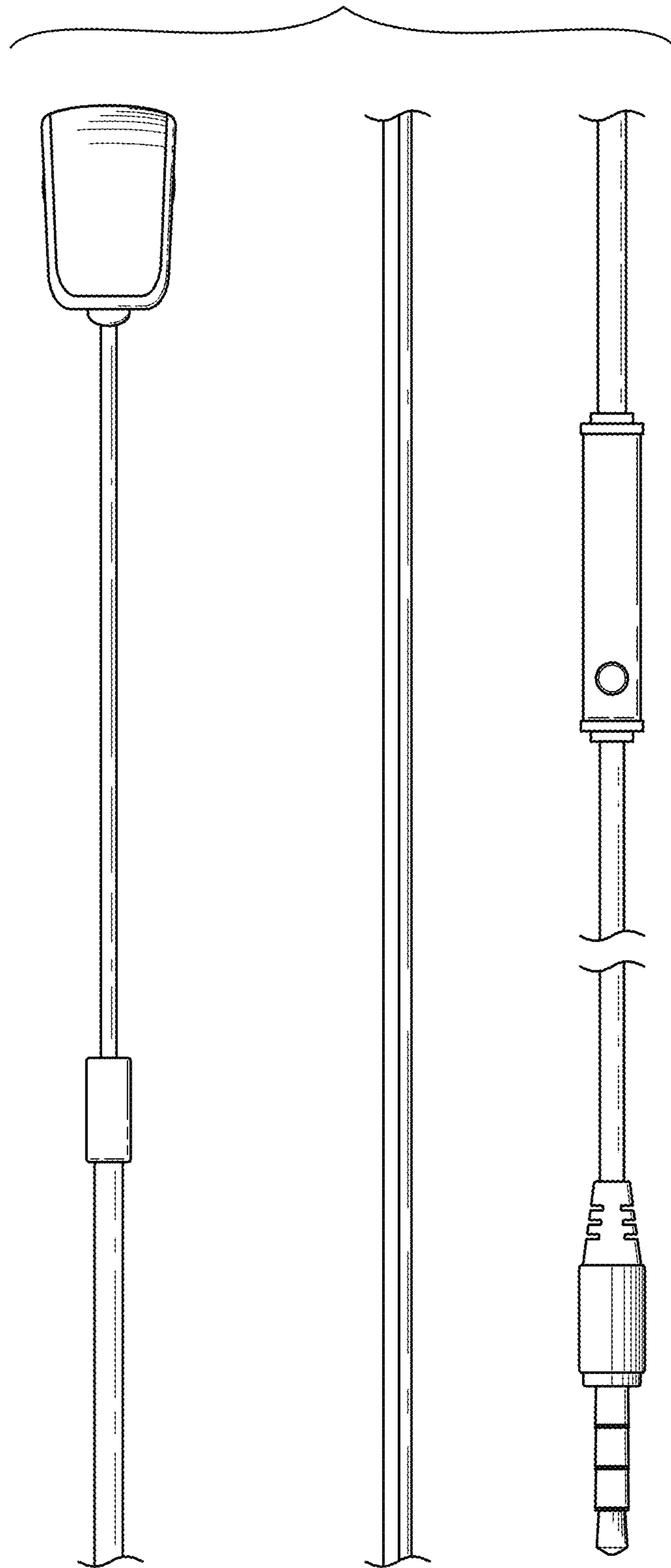


FIG. 6

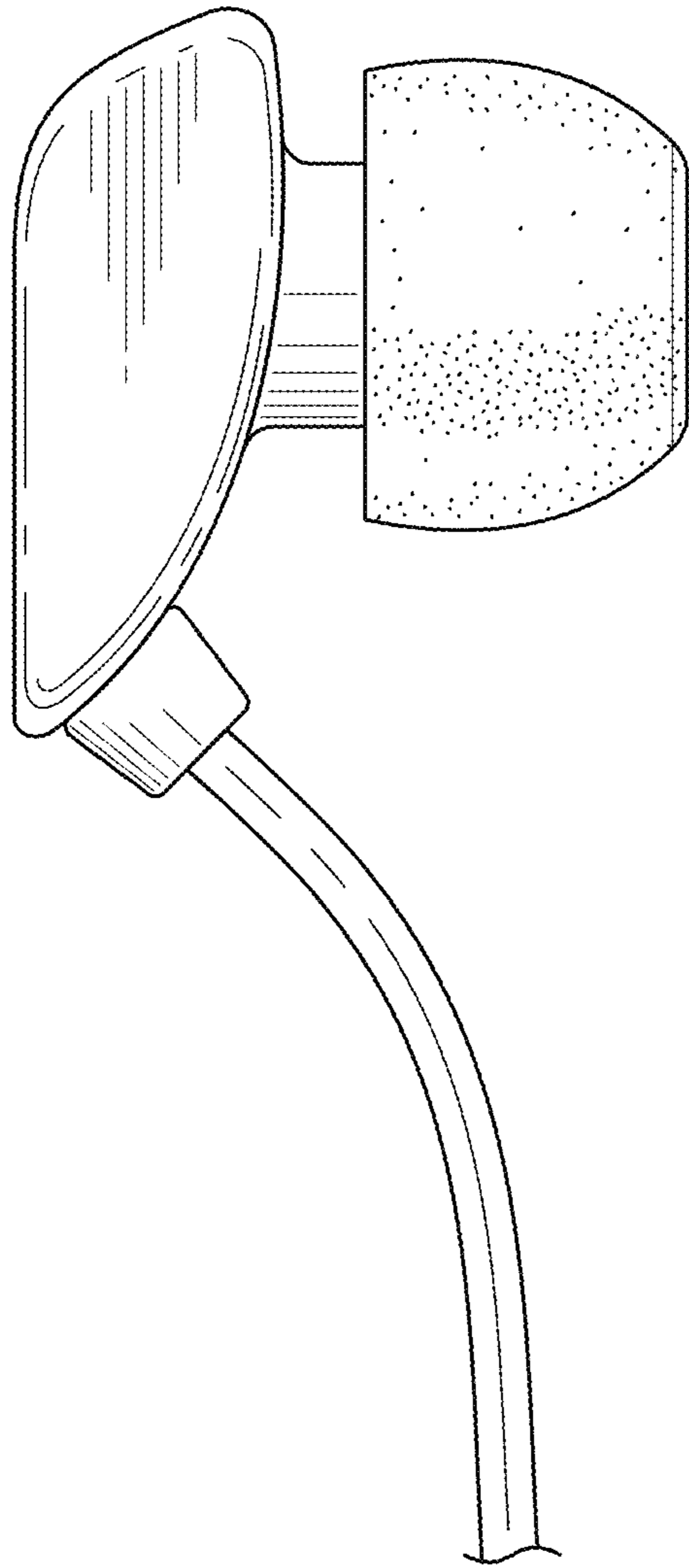


FIG. 7

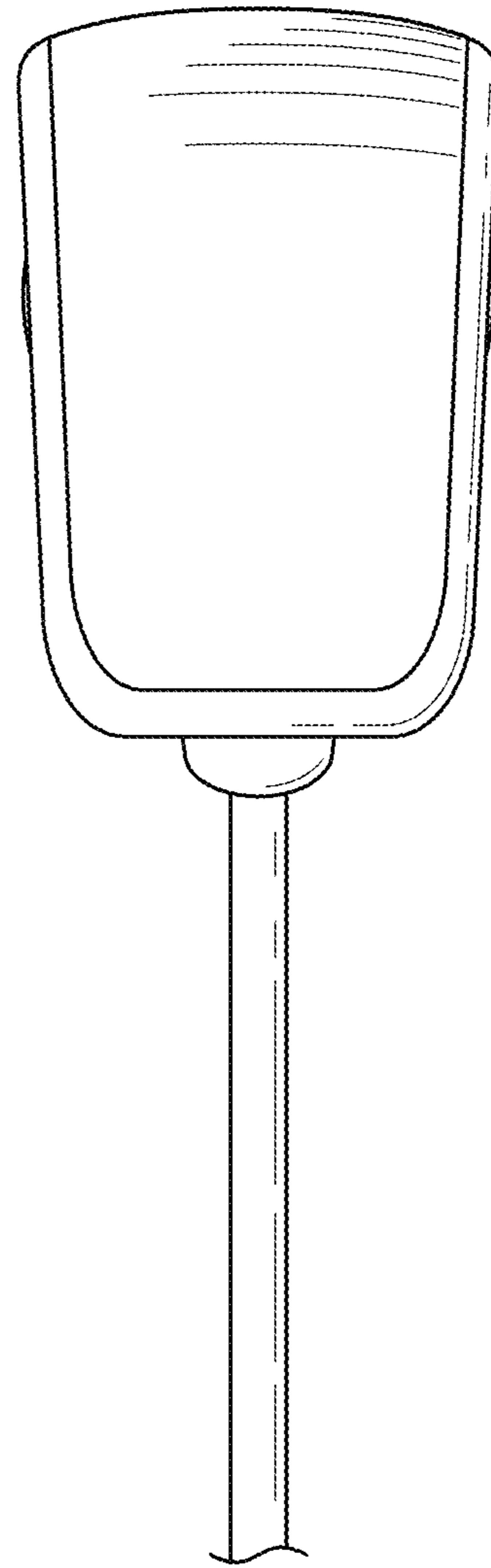


FIG. 8

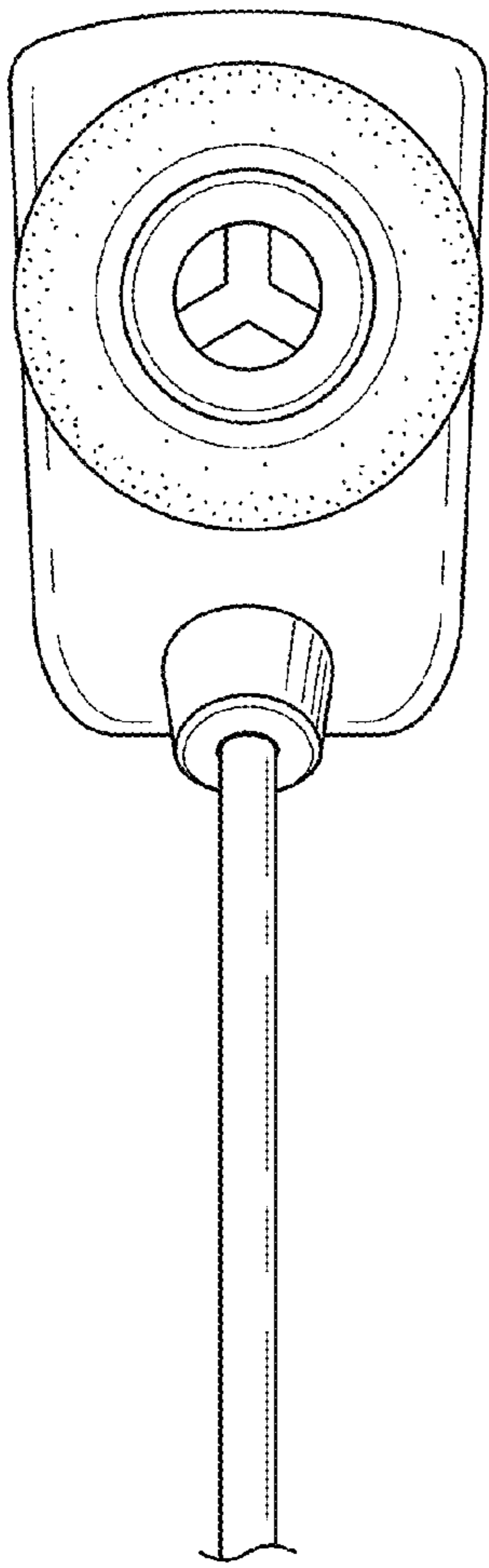


FIG. 9

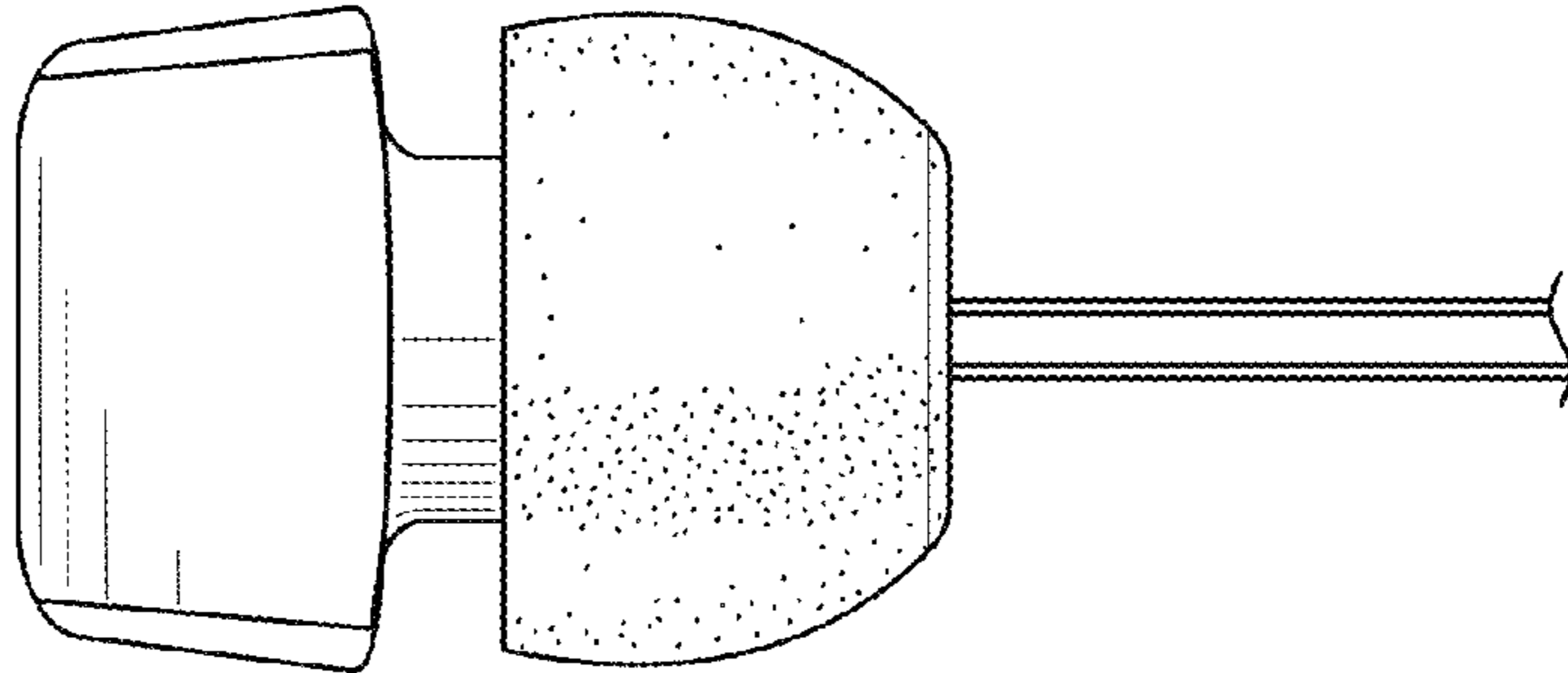


FIG. 10

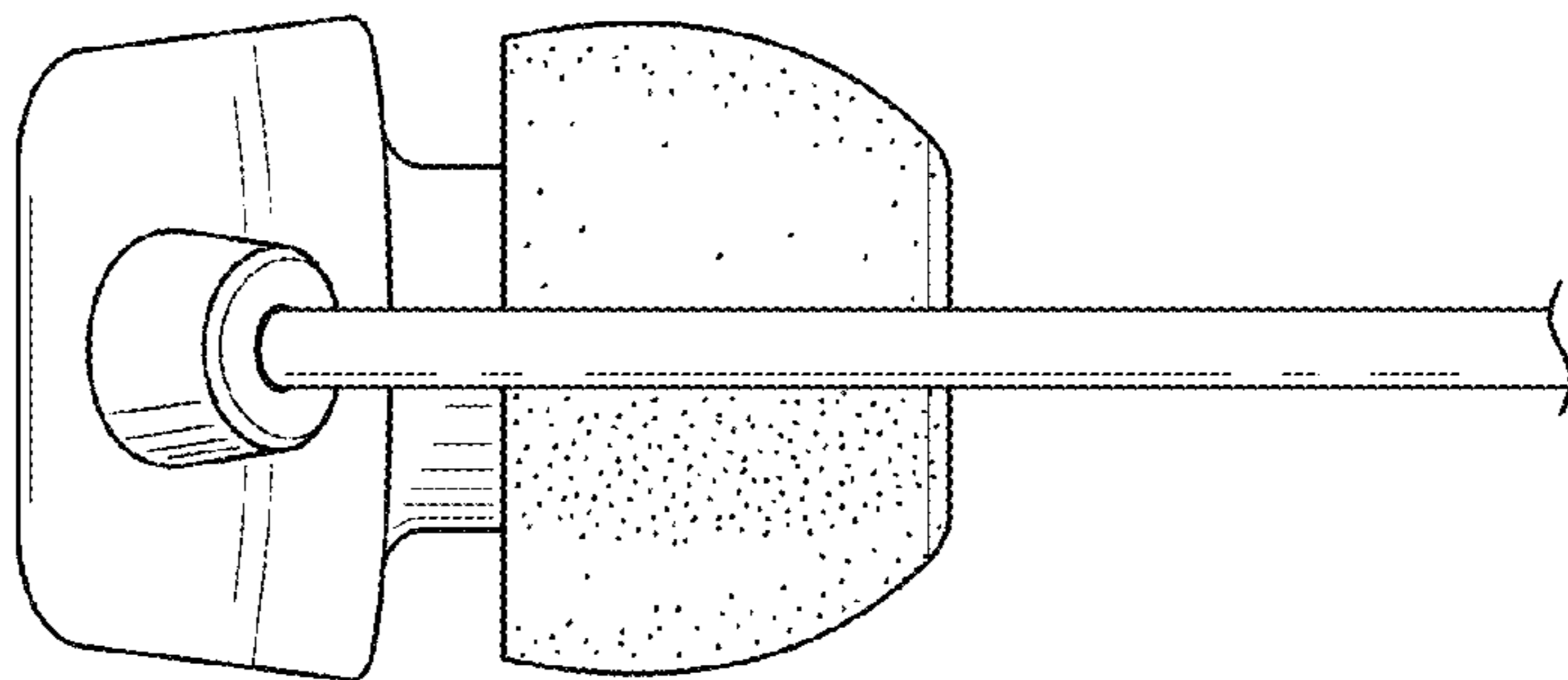


FIG. 11



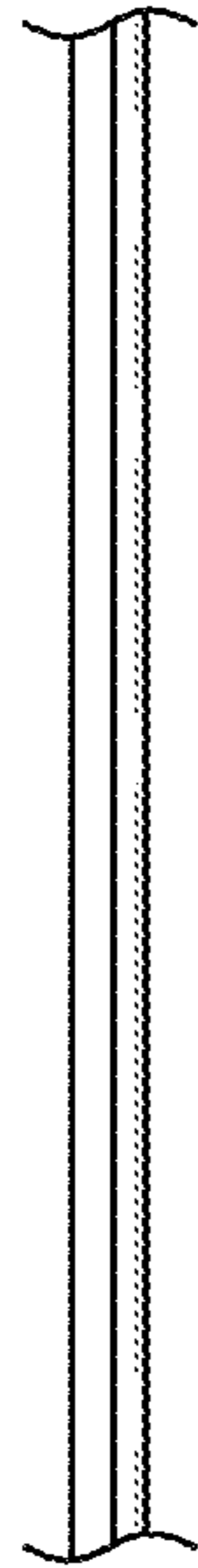


FIG. 12



FIG. 13

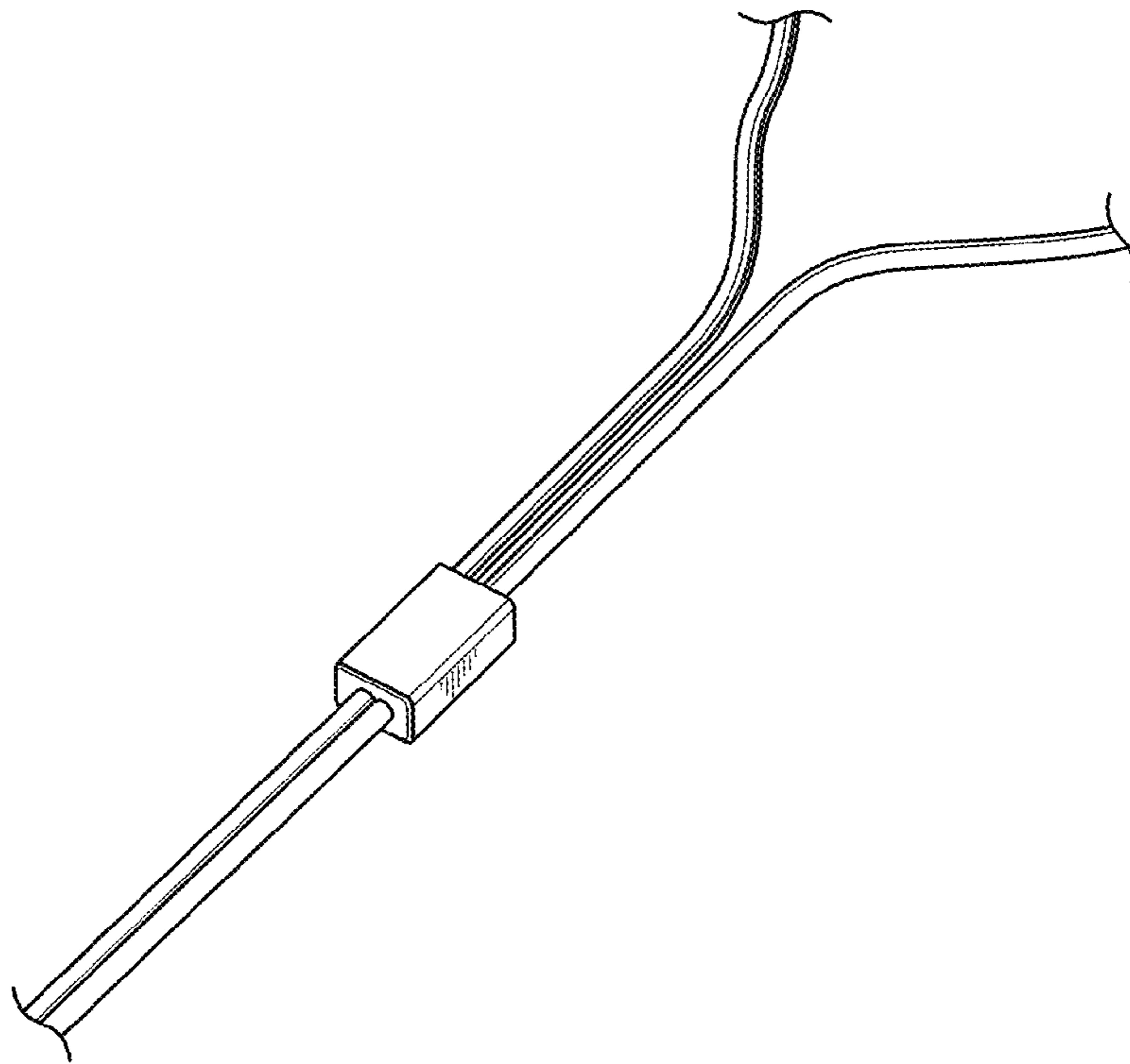


FIG. 14

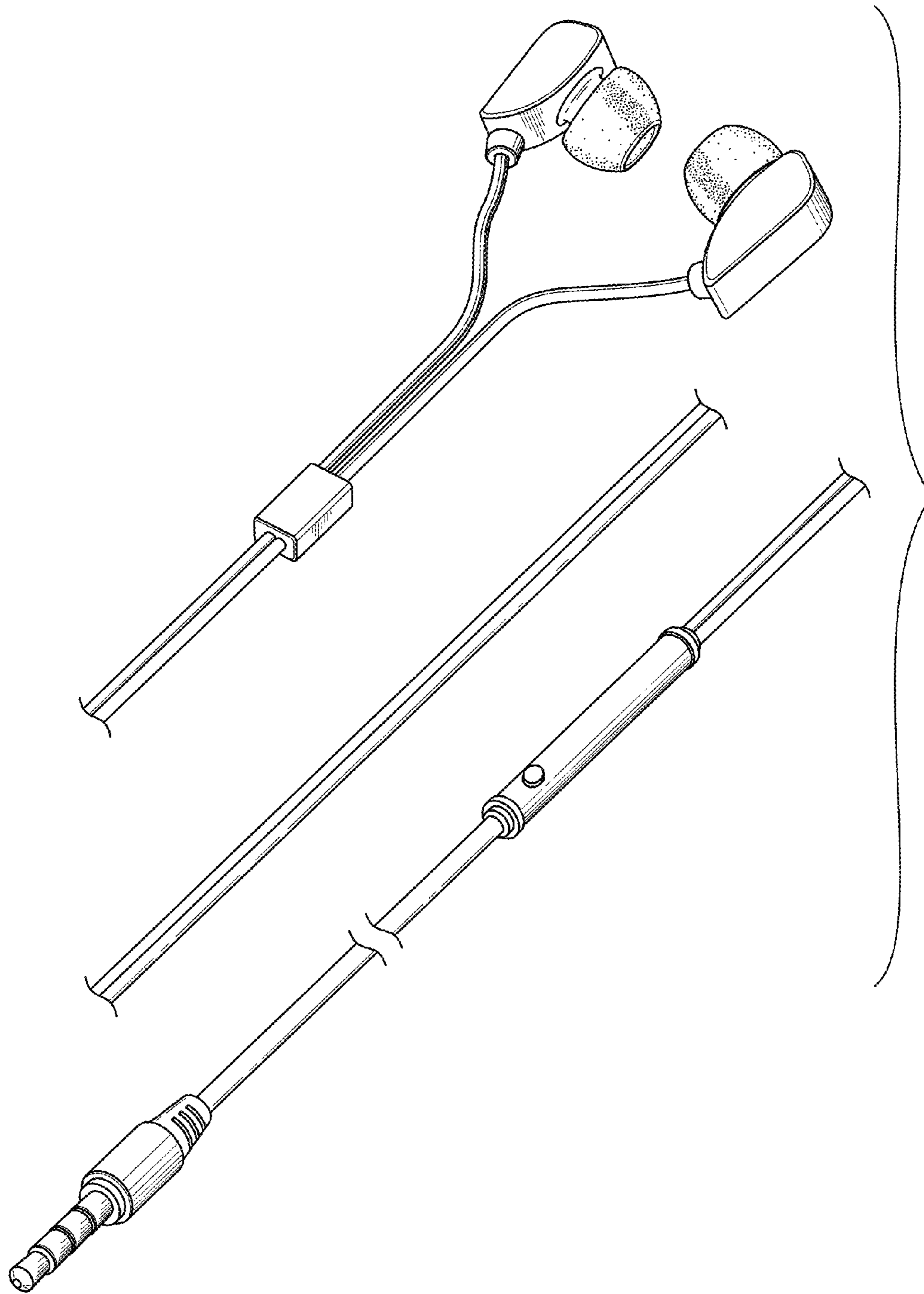


FIG. 15

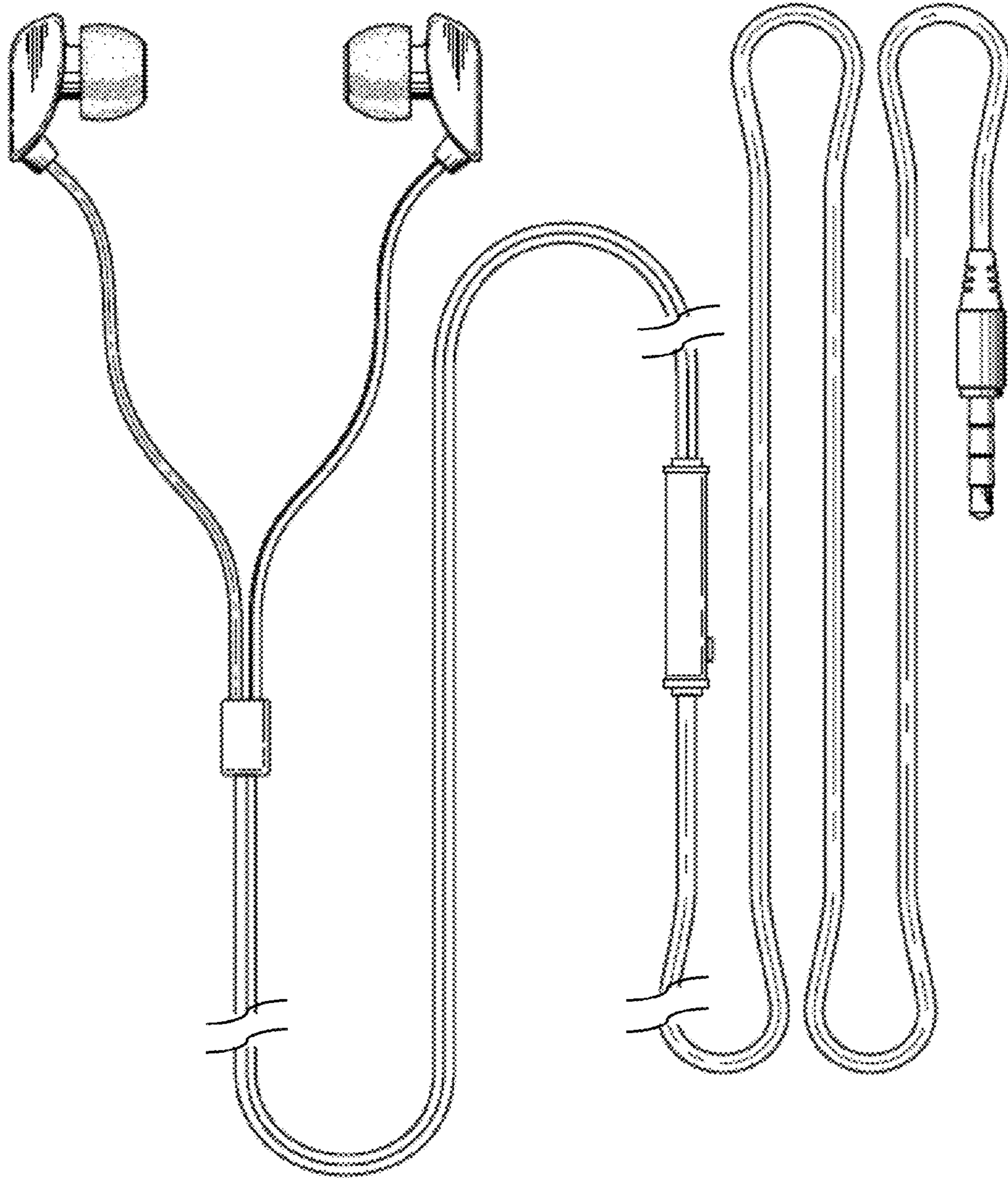


FIG. 16