



US00D767530S

(12) **United States Design Patent** (10) **Patent No.:** **US D767,530 S**
Bae et al. (45) **Date of Patent:** **** Sep. 27, 2016**

(54) **PORTABLE ELECTRONIC DEVICE**

(71) Applicant: **Samsung Electronics Co., Ltd.**,
Suwon-si, Gyeonggi-do (KR)

(72) Inventors: **Junwon Bae**, Yongin-si (KR);
Jonghyuk Park, Seoul (KR); **Hoyoung Joo**,
Goyang-si (KR); **Gunwoong Kim**, Seoul (KR);
Kio Lee, Seoul (KR)

(73) Assignee: **SAMSUNG ELECTRONICS CO., LTD.**,
Suwon-Si, Gyeonggi-Do (KR)

(**) Term: **15 Years**

(21) Appl. No.: **29/533,113**

(22) Filed: **Jul. 14, 2015**

(30) **Foreign Application Priority Data**

Jan. 16, 2015 (KR) 30-2015-0002317

(51) **LOC (10) Cl.** **14-03**

(52) **U.S. Cl.**
USPC **D14/203.4**; D14/496; D14/203.3;
D14/341

(58) **Field of Classification Search**

USPC D14/341–347, 137, 138 R, 138 AA,
D14/138 C, 138 G, 496, 203.1–230.7, 218,
D14/247, 248, 374, 371, 383, 388, 315–318,
D14/439; D21/324–328, 330, 332;
273/148 B; 463/1, 29–25, 46, 47;
455/556.1, 566, 575.1, 90.3;
379/433.04, 916, 433.01, 433.06;
345/901, 905, 156; 361/679.26,
361/679.27, 679.3, 679.55
CPC G06F 1/1613; G06F 1/1624; G06F 1/165;
G06F 3/0488; G06F 13/10; G06F 13/12;
H04M 1/0202; H04M 1/0281; H04M 1/0283;
H04M 1/0214; H01R 12/00
See application file for complete search history.

(56) **References Cited**

U.S. PATENT DOCUMENTS

5,027,394	A *	6/1991	Ono	H04M 1/0216 379/433.04
6,353,529	B1 *	3/2002	Cies	G06F 1/1616 248/917
6,781,824	B2 *	8/2004	Krieger	G06F 1/1626 16/224
D500,316	S *	12/2004	Lynch	D14/345
7,138,982	B2 *	11/2006	Sugimoto	G06F 1/1616 345/169

(Continued)

FOREIGN PATENT DOCUMENTS

EM	001574658	9/2009
KR	30-0527622	4/2009
KR	30-0638510	1/2012

Primary Examiner — Prabhakar Deshmukh

(74) *Attorney, Agent, or Firm* — Ladas & Parry LLP

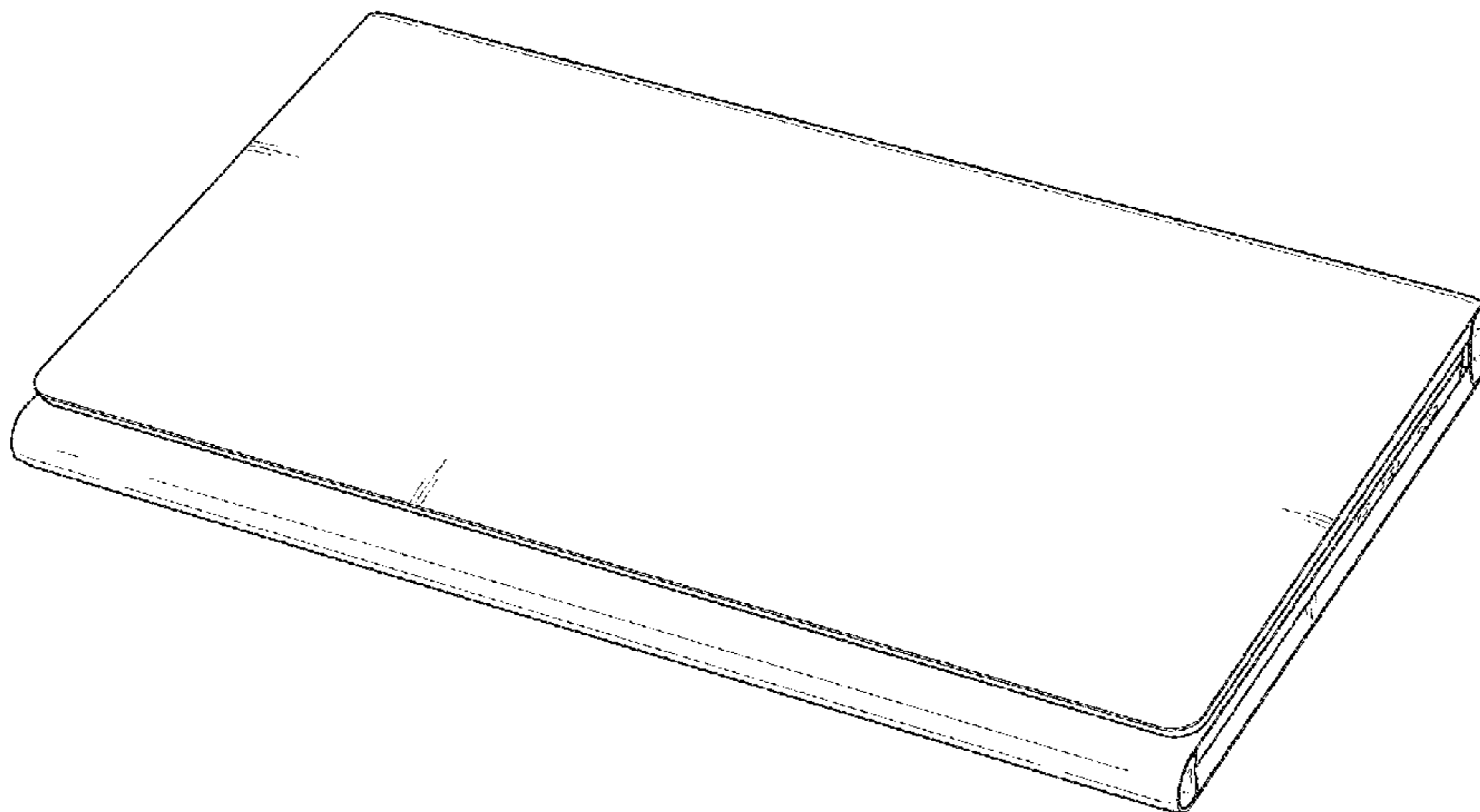
(57) **CLAIM**

We claim the ornamental design for a portable electronic device, as shown and described.

DESCRIPTION

FIG. 1 is a perspective view of a portable electronic device showing our new design in a folded position; FIG. 2 is a front elevational view thereof; FIG. 3 is a rear elevational view thereof; FIG. 4 is a left side elevational view thereof; FIG. 5 is a right side elevational view thereof; FIG. 6 is a top plan view thereof; FIG. 7 is a bottom plan view thereof; FIG. 8 is an enlarged left side elevational view corresponding to that shown in FIG. 4; and, FIG. 9 is a perspective view of the portable electronic device in an unfolded position in use and shows that part of the rear cover is spread and used as the stand. The broken line in the figures represents unclaimed portions of the portable electronic device and forms no part of the claimed design.

1 Claim, 9 Drawing Sheets



US D767,530 S

Page 2

(56)

References Cited

U.S. PATENT DOCUMENTS

7,233,319 B2 *	6/2007	Johnson	G06F 1/1616 345/166
D588,126 S *	3/2009	Chiang	D14/345
D594,028 S *	6/2009	Fuchsberg	D14/496
7,898,565 B2 *	3/2011	Moengen	G06F 1/1605 348/14.01
D681,000 S *	4/2013	Koh	D14/203.4
D681,054 S *	4/2013	Koh	D14/496
D716,800 S *	11/2014	Lee	D14/345
D752,039 S *	3/2016	Park	D14/203.3

* cited by examiner

FIG. 1

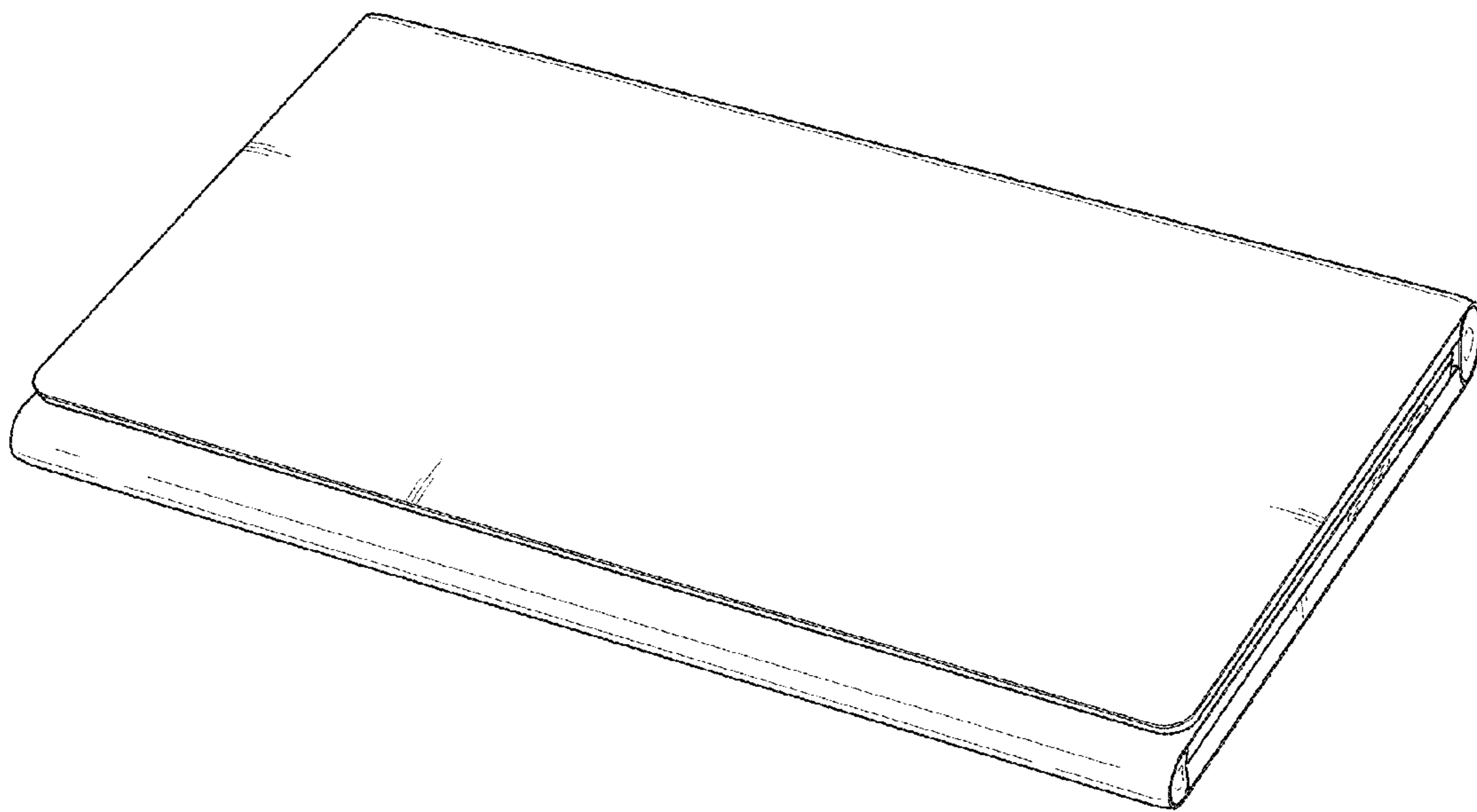


FIG. 2

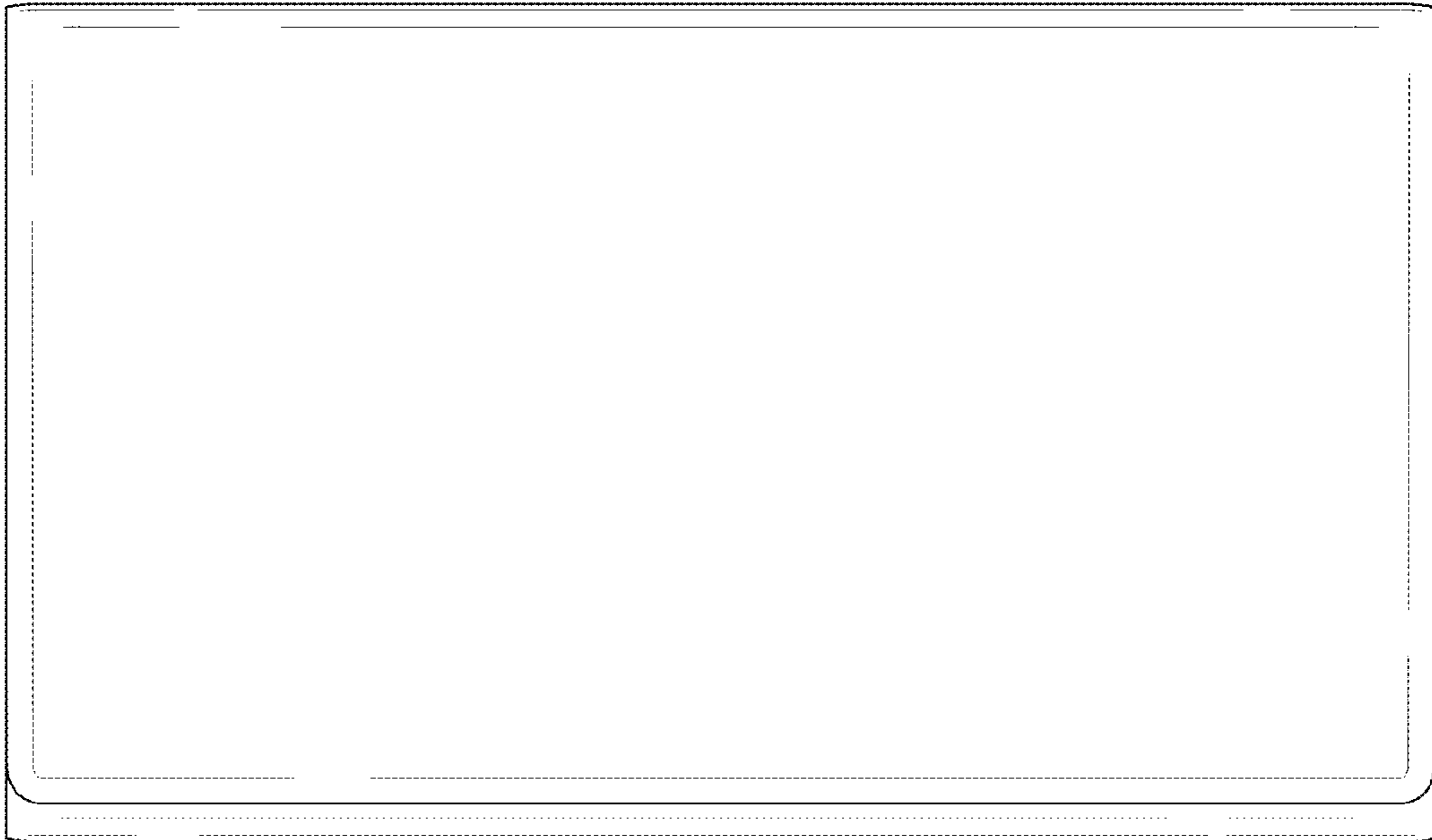


FIG. 3

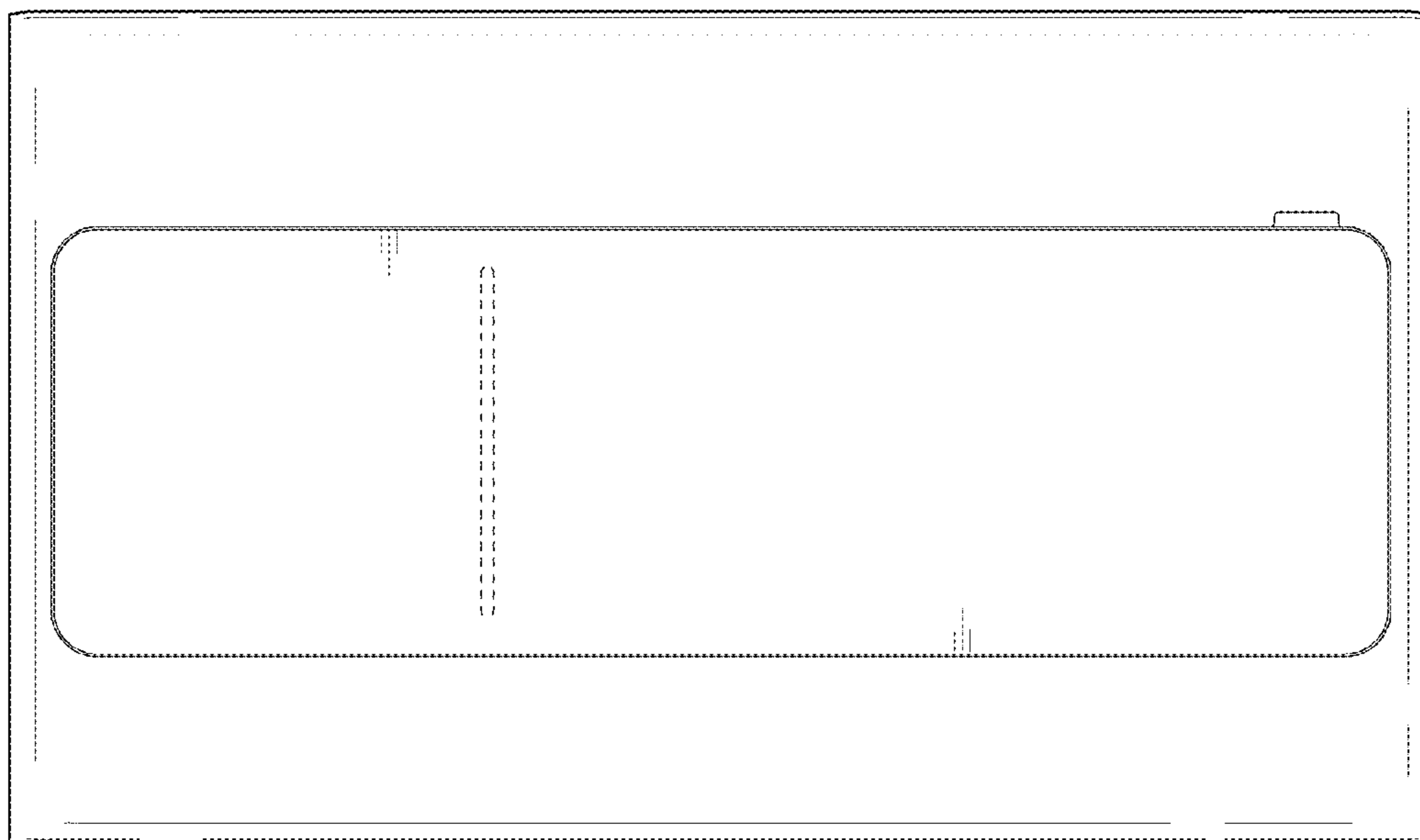


FIG. 4

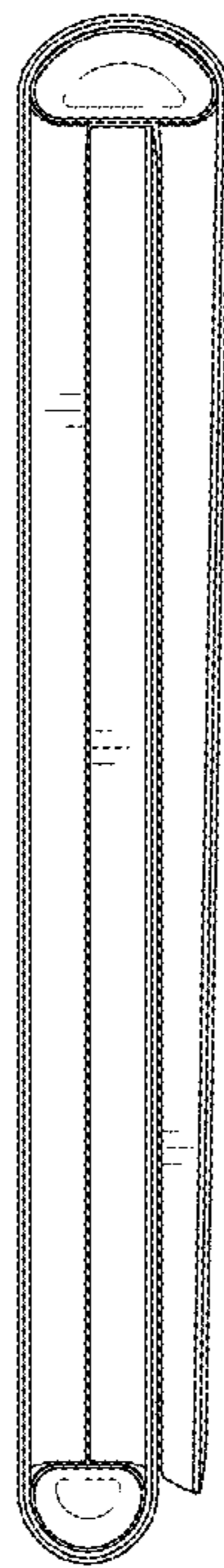


FIG. 5

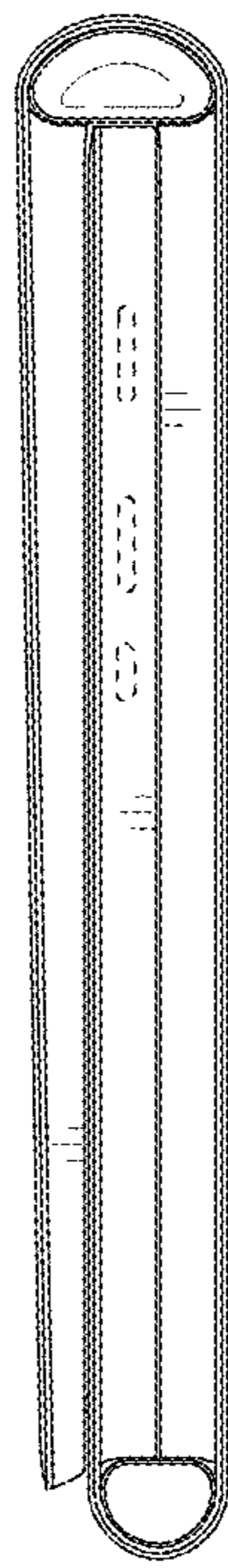


FIG. 6

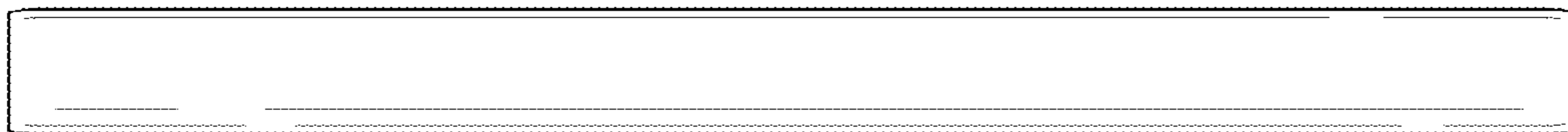


FIG. 7

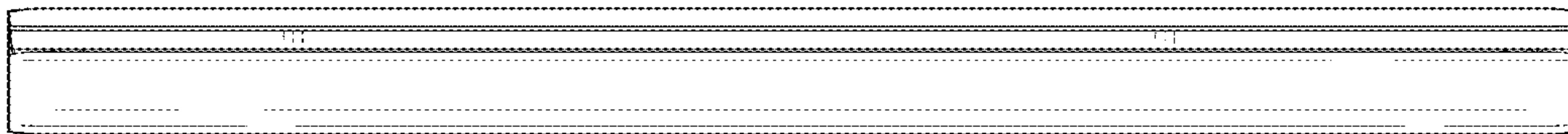


FIG. 8

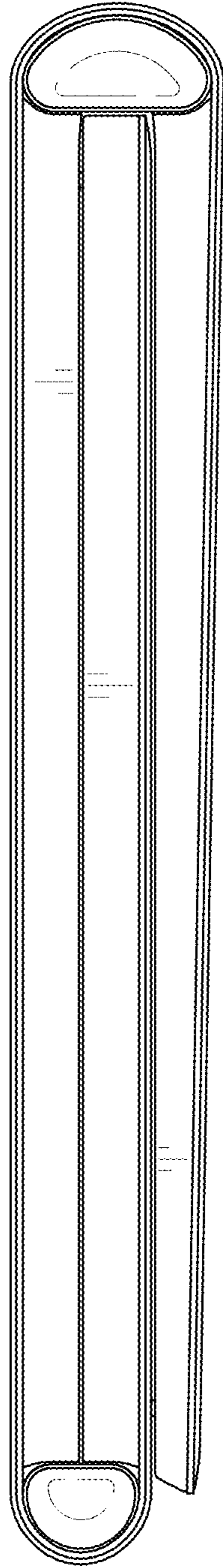


FIG. 9

