



US00D767529S

(12) **United States Design Patent** (10) **Patent No.:** **US D767,529 S**  
**Yang et al.** (45) **Date of Patent:** **\*\* Sep. 27, 2016**

(54) **AUDIO AMPLIFIER**

(71) Applicant: **Bose Corporation**, Framingham, MA (US)

(72) Inventors: **Ju Yang**, Shenzhen (CN); **Kevin M. Krauss**, Sudbury, MA (US); **Richard J. Carbone**, Sterling, MA (US)

(73) Assignee: **Bose Corporation**, Framingham, MA (US)

(\*\*) Term: **15 Years**

(21) Appl. No.: **29/541,060**

(22) Filed: **Sep. 30, 2015**

(51) **LOC (10) Cl.** ..... **14-03**

(52) **U.S. Cl.**  
USPC ..... **D14/188**

(58) **Field of Classification Search**

USPC ..... D14/162, 167-169, 175, 179, 188,  
D14/194-198, 217, 257, 265, 299, 496,  
D14/171; 330/1 R, 3, 4, 250; 381/86, 120;  
455/344-351

CPC ..... B60R 11/02; B60R 11/0205; B60R  
11/0217; G10K 9/22; G10K 15/04; H03F  
1/26; H03F 1/3247; H03F 3/24; H03F 3/181;  
H03F 3/189; H03F 3/45197; H03F 2200/03;  
H03F 2200/324; H03F 2200/336; H03F  
2200/543; H03F 2203/45488; H03G 3/02;  
H03G 3/20; H04R 1/028; H04R 3/00;  
H04R 3/12; H04R 2420/07; H04R 2499/13

See application file for complete search history.

(56) **References Cited**

U.S. PATENT DOCUMENTS

D571,781 S *	6/2008	Yamamoto .....	D14/188
D634,729 S *	3/2011	Endo .....	D14/188
D656,124 S *	3/2012	Smith .....	D14/204
D662,910 S *	7/2012	Warden .....	D14/188
D664,257 S *	7/2012	Patil .....	D24/186
D666,166 S *	8/2012	Harada .....	D14/188
D669,992 S *	10/2012	Schafer .....	D24/170
D740,787 S *	10/2015	Jang .....	D14/214
D746,254 S *	12/2015	Ito .....	D14/188
D754,627 S *	4/2016	Fustino .....	D14/188

\* cited by examiner

*Primary Examiner* — Keli L Hill

(57) **CLAIM**

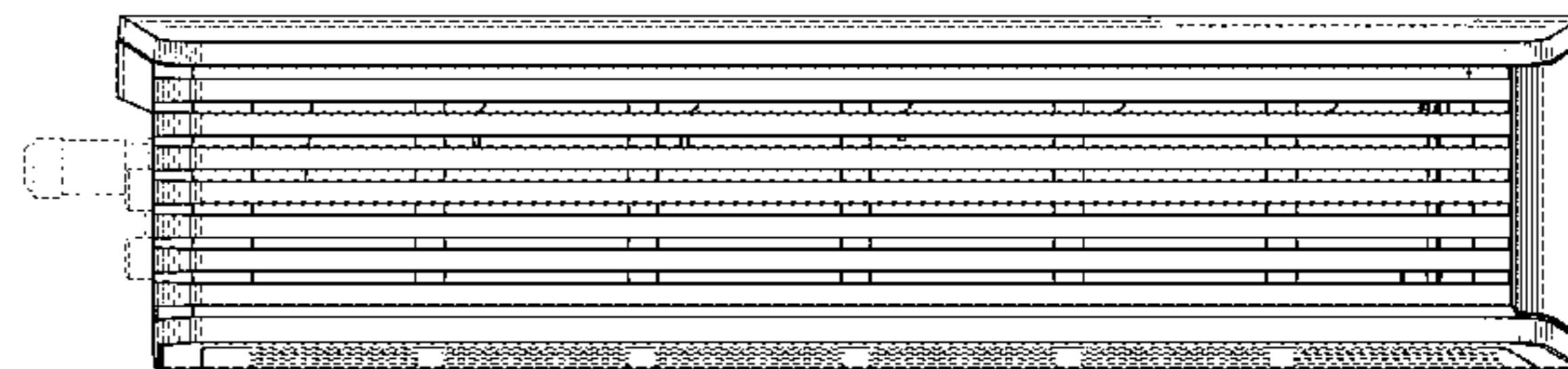
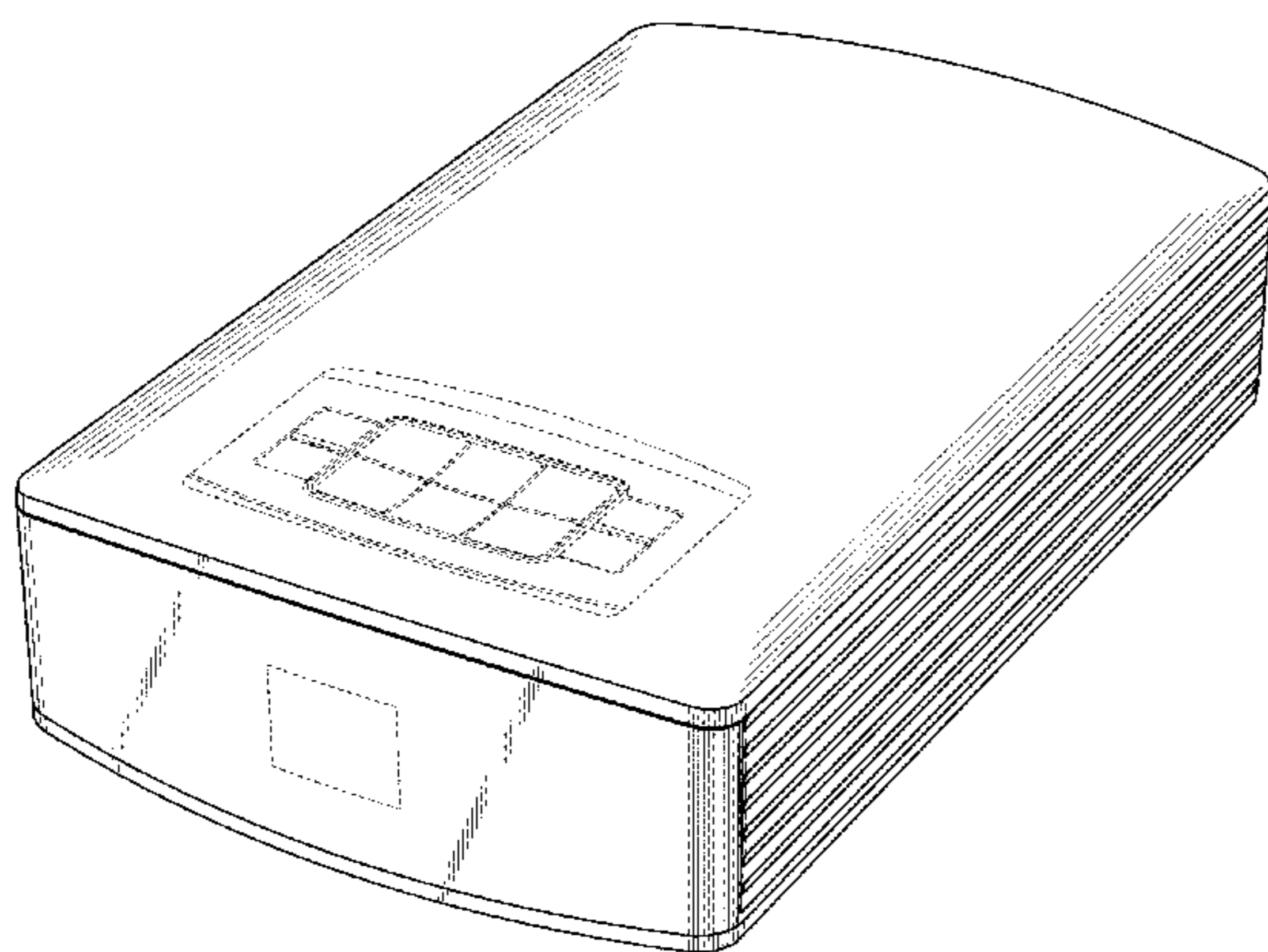
The ornamental design for an audio amplifier, substantially as shown and described.

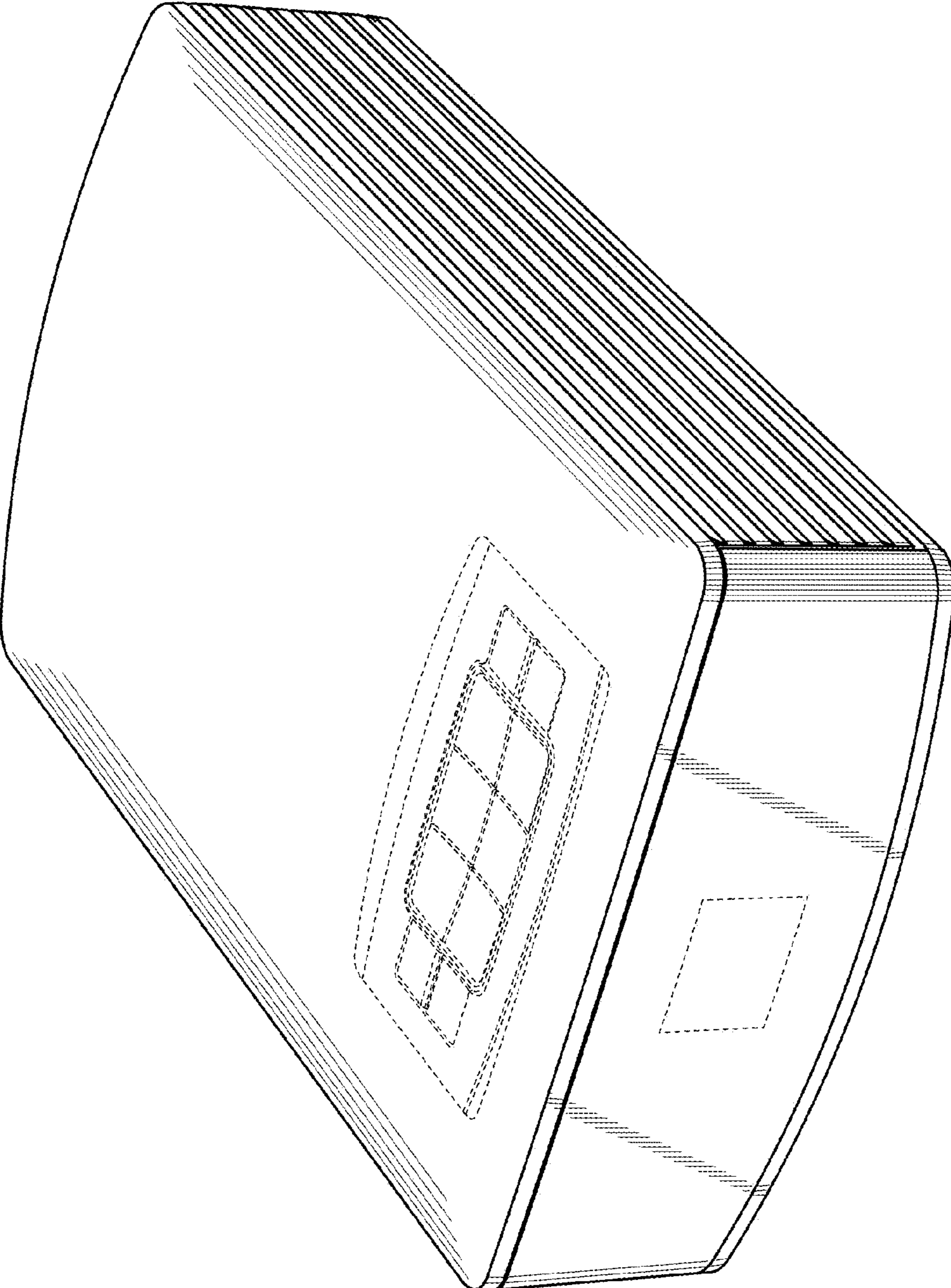
**DESCRIPTION**

FIG. 1 is a perspective view of an audio amplifier as seen from the front, top and side;  
FIG. 2 is a front view thereof;  
FIG. 3 is a rear view thereof;  
FIG. 4 is a top view thereof;  
FIG. 5 is a bottom view thereof;  
FIG. 6 is an opposite side view thereof; and,  
FIG. 7 is a side view thereof.

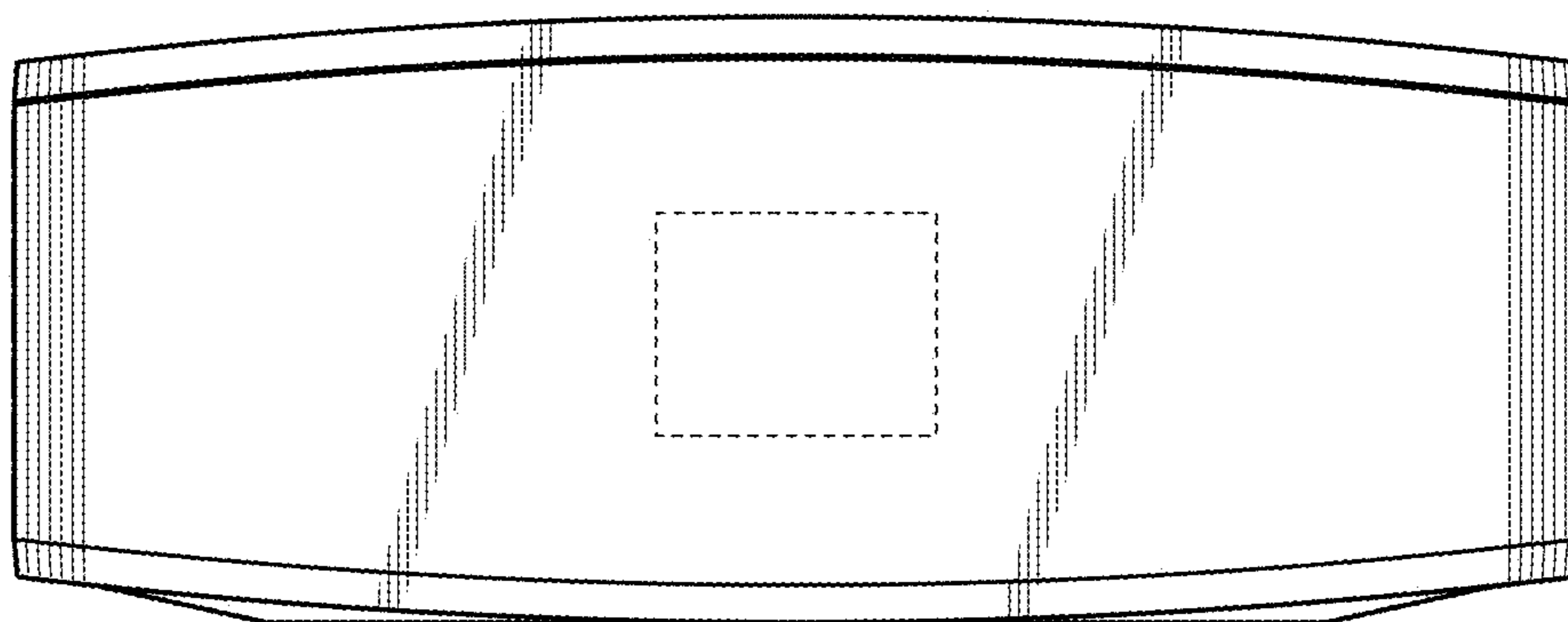
The dotted line portions of the drawings represent environmental structure only and form no part of the claimed design.

**1 Claim, 5 Drawing Sheets**

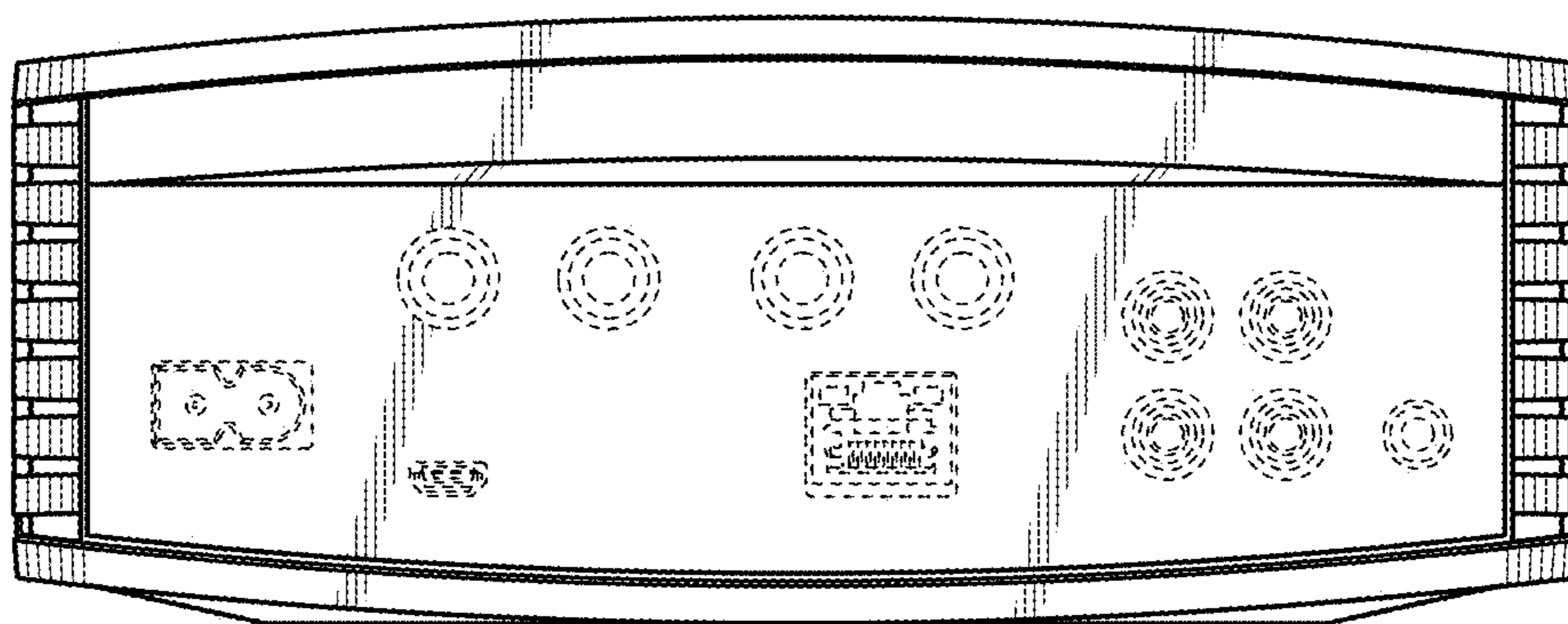




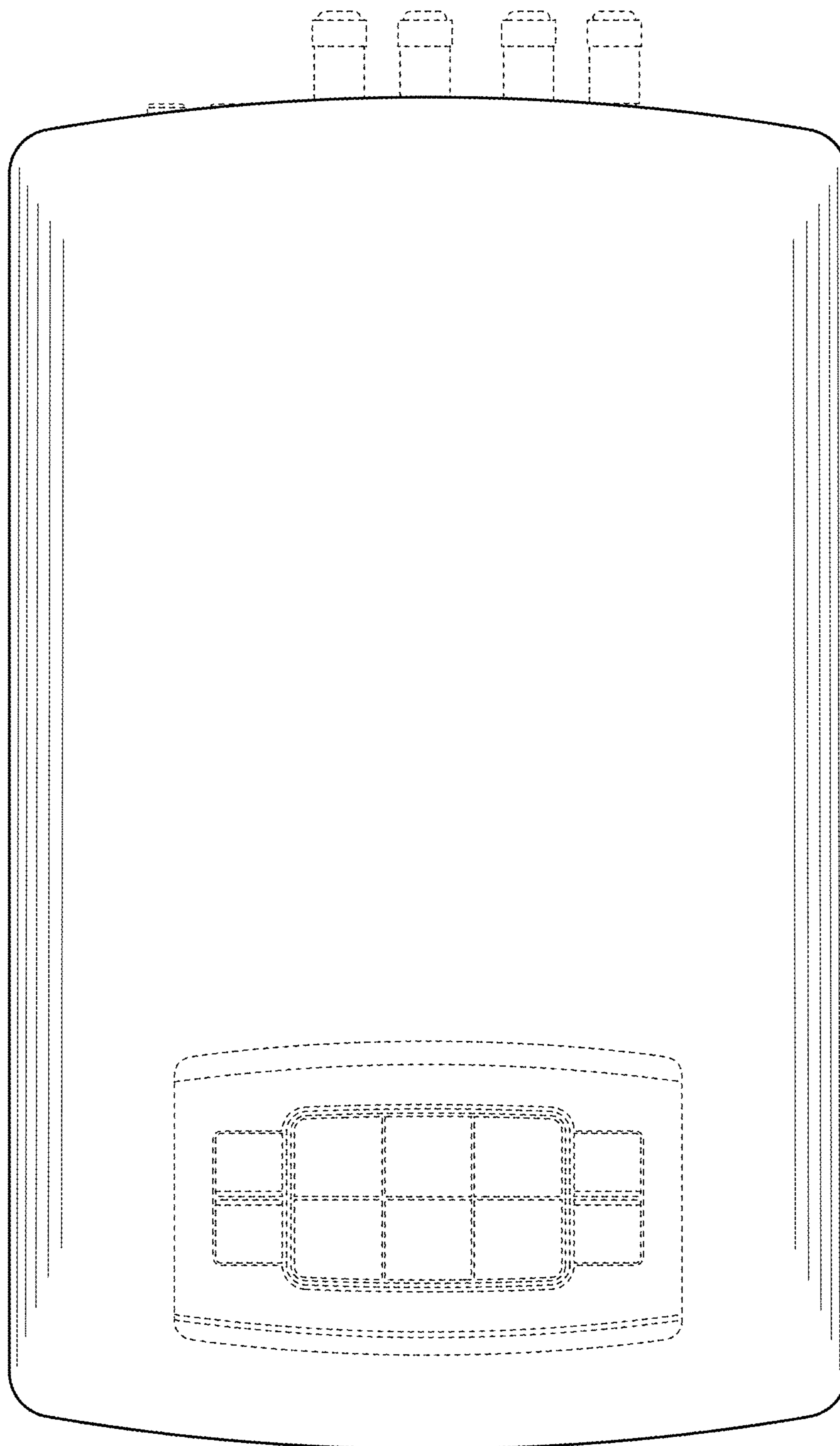
**FIG. 1**



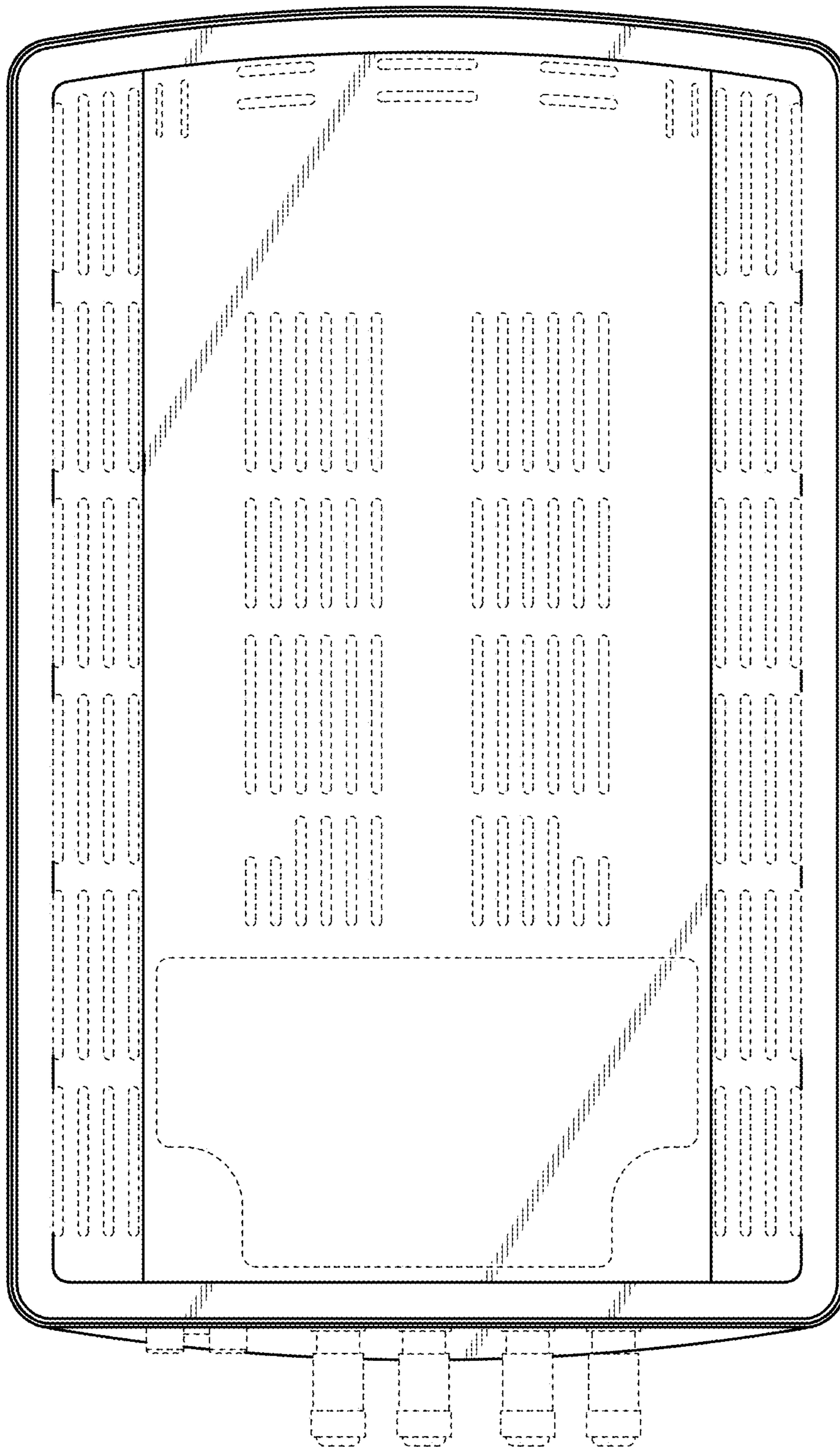
**FIG. 2**



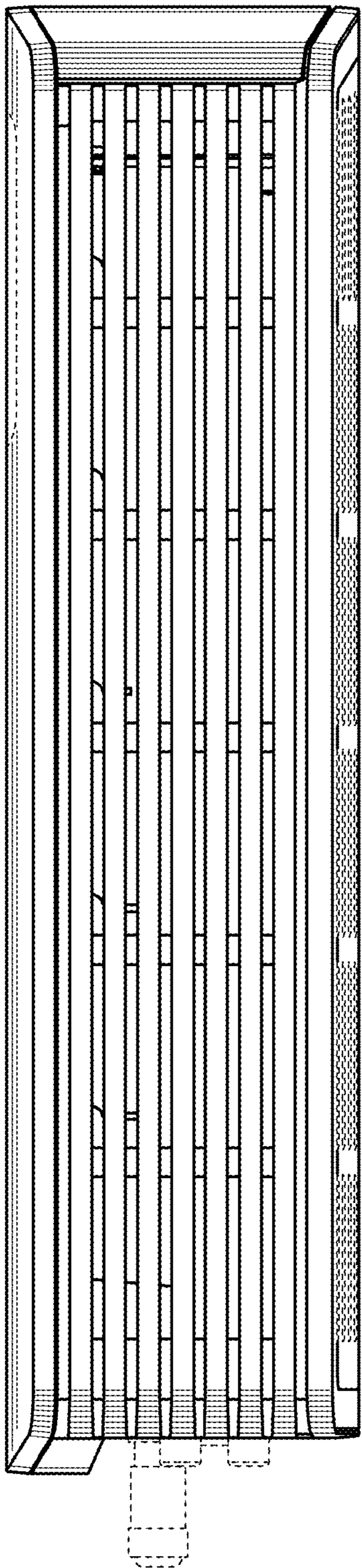
**FIG. 3**



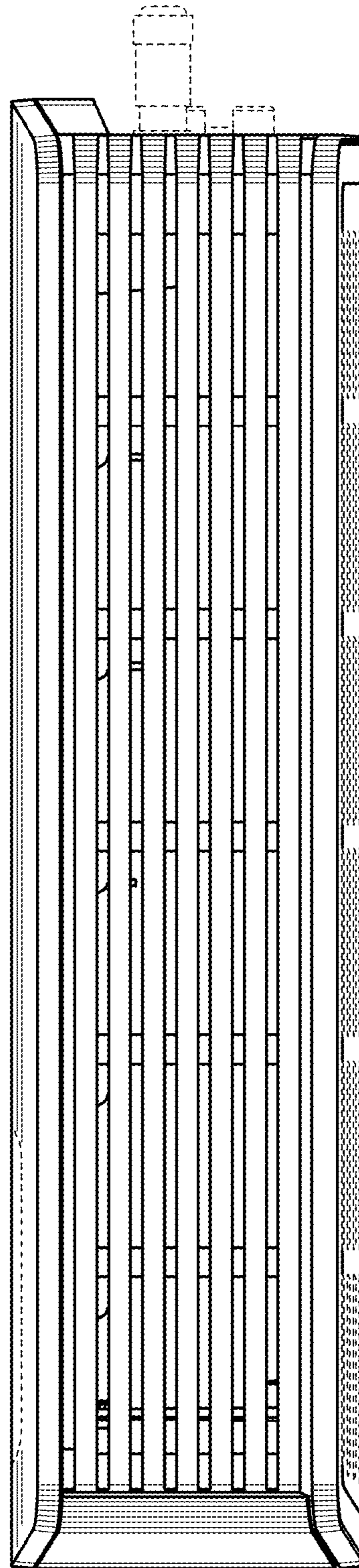
**FIG. 4**



**FIG. 5**



**FIG. 6**



**FIG. 7**