

US00D767524S

(12) **United States Design Patent** (10) **Patent No.:** **US D767,524 S**
Geng (45) **Date of Patent:** **** Sep. 27, 2016**

(54) **MOBILE PHONE**

(71) Applicants: **Hisense Mobile Communications Technology Co., Ltd.**, Qingdao (CN); **Hisense USA Corp.**, Suwanee, GA (US); **Hisense International Co., Ltd.**, Qingdao (CN)

(72) Inventor: **Kaiqian Geng**, Qingdao (CN)

(73) Assignees: **Hisense Mobile Communications Technology Co., Ltd.**, Qingdao, Shandong (CN); **Hisense USA Corp.**, Suwanee, GA (US); **Hisense International Co., Ltd.**, Qingdao, Shandong (CN)

(**) Term: **14 Years**

(21) Appl. No.: **29/506,894**

(22) Filed: **Oct. 21, 2014**

(51) **LOC (10) Cl.** **14-03**

(52) **U.S. Cl.**
USPC **D14/138 G**

(58) **Field of Classification Search**
USPC .. D14/138 G, 138 AD, 248, 138 R, 138 AC, D14/247, 137, 341-347
CPC H04M 1/0202; H04M 1/0235; H04M 1/0237; H04M 1/0239; H04M 1/0266; H04M 1/0268; H04M 1/027; H04M 1/0295
See application file for complete search history.

(56) **References Cited**

U.S. PATENT DOCUMENTS

D584,272 S *	1/2009	Chung	D14/138 G
D624,896 S *	10/2010	Park	D14/138 G
D635,537 S *	4/2011	Kim	D14/138 G
D646,248 S *	10/2011	Lee	D14/138 G
D648,693 S *	11/2011	Kim	D14/138 AD
D653,641 S *	2/2012	Chen	D14/138 G
D654,460 S *	2/2012	Kim	D14/138 G
D658,147 S *	4/2012	Yoon	D14/138 G
D665,371 S *	8/2012	Finney	D14/138 G

D665,762 S *	8/2012	Fujimura	D14/138 G
D675,180 S *	1/2013	Zhang	D14/138 G
D675,585 S *	2/2013	Park	D14/138 G
D676,819 S *	2/2013	Choi	D14/138 G
D682,802 S *	5/2013	Zhao	D14/138 G
D683,712 S *	6/2013	Shao	D14/138 G
D686,179 S *	7/2013	Lee	D14/138 G

(Continued)

OTHER PUBLICATIONS

LG Revolution, announced Jan. 2011, [online], [retrieved on Feb. 1, 2011]. Retrieved from Internet ,<URL: <http://www.gsmarena.com>>.*

Motorola Milestone XT883, announced Jun. 2011, [online], [retrieved on Aug. 19, 2011]. Retrieved from Internet ,<URL: <http://www.gsmarena.com>>.*

Gigabyte GSmart G1355, announced Feb. 2012, [online], [retrieved on Mar. 15, 2012]. Retrieved from Internet ,<URL: <http://www.gsmarena.com>>.*

(Continued)

Primary Examiner — Bridget L Eland

(74) *Attorney, Agent, or Firm* — Brinks Gilson & Lione

(57) **CLAIM**

I claim the ornamental design for a mobile phone, as shown and described.

DESCRIPTION

FIG. 1 is a front view of a mobile phone of the present invention;

FIG. 2 is a rear view thereof;

FIG. 3 is a right side view thereof;

FIG. 4 is a left side view thereof;

FIG. 5 is a bottom view thereof;

FIG. 6 is a top view thereof;

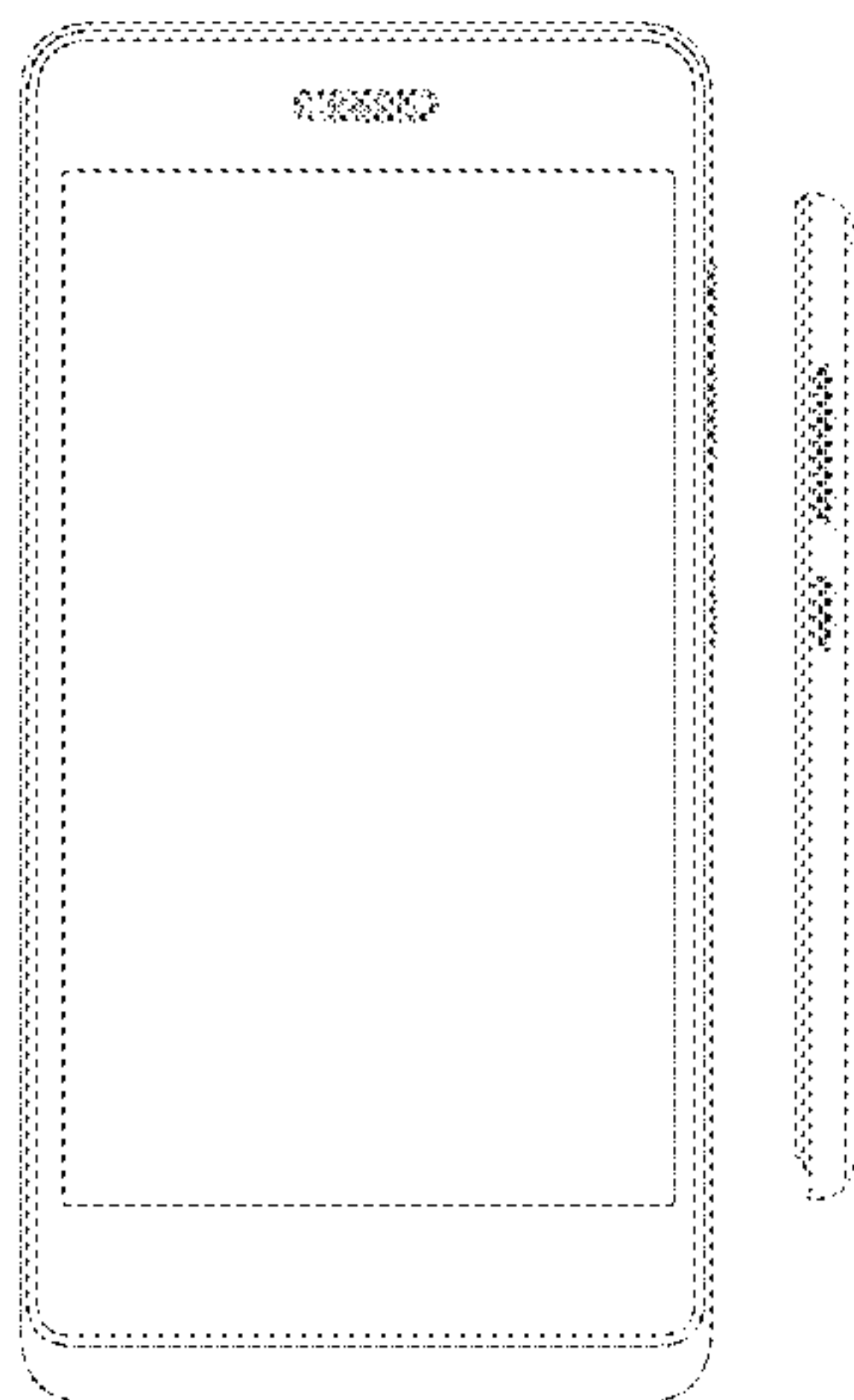
FIG. 7 is a front perspective view thereof;

FIG. 8 is a rear perspective view thereof; and,

FIG. 9 is an exploded view thereof.

The broken lines that are immediately adjacent to the claim represent the bounds of the claimed design while all other broken lines are directed to environment; the broken lines form no part of the claimed design.

1 Claim, 7 Drawing Sheets



(56)

References Cited

U.S. PATENT DOCUMENTS

D695,257 S * 12/2013 Kim D14/138 G
D695,703 S * 12/2013 Lee D14/138 G
D695,704 S * 12/2013 Kim D14/138 G
D697,887 S * 1/2014 Yin D14/138 G
D702,204 S * 4/2014 Oh D14/138 G
D705,186 S * 5/2014 Park D14/138 G
D714,243 S * 9/2014 Dhondt D14/138 G
D720,713 S * 1/2015 Huang D14/138 G
D755,749 S * 5/2016 Kim D14/138 G
2009/0312065 A1 * 12/2009 Wang G06F 17/242
455/566

OTHER PUBLICATIONS

ZTE N880E, announced May 2012, [online], [retrieved on Aug. 22, 2012]. Retrieved from Internet ,<URL: <http://www.gsmarena.com>>.*
Motorola XT928, announced Dec. 2011, [online], [retrieved on Feb. 3, 2012]. Retrieved from Internet ,<URL: <http://www.gsmarena.com>>.*
Samsung S7230 Wave 723, announced Aug. 2010, [online], [retrieved on Sep. 29, 2010]. Retrieved from Internet ,<URL: <http://www.gsmarena.com>>.*

* cited by examiner

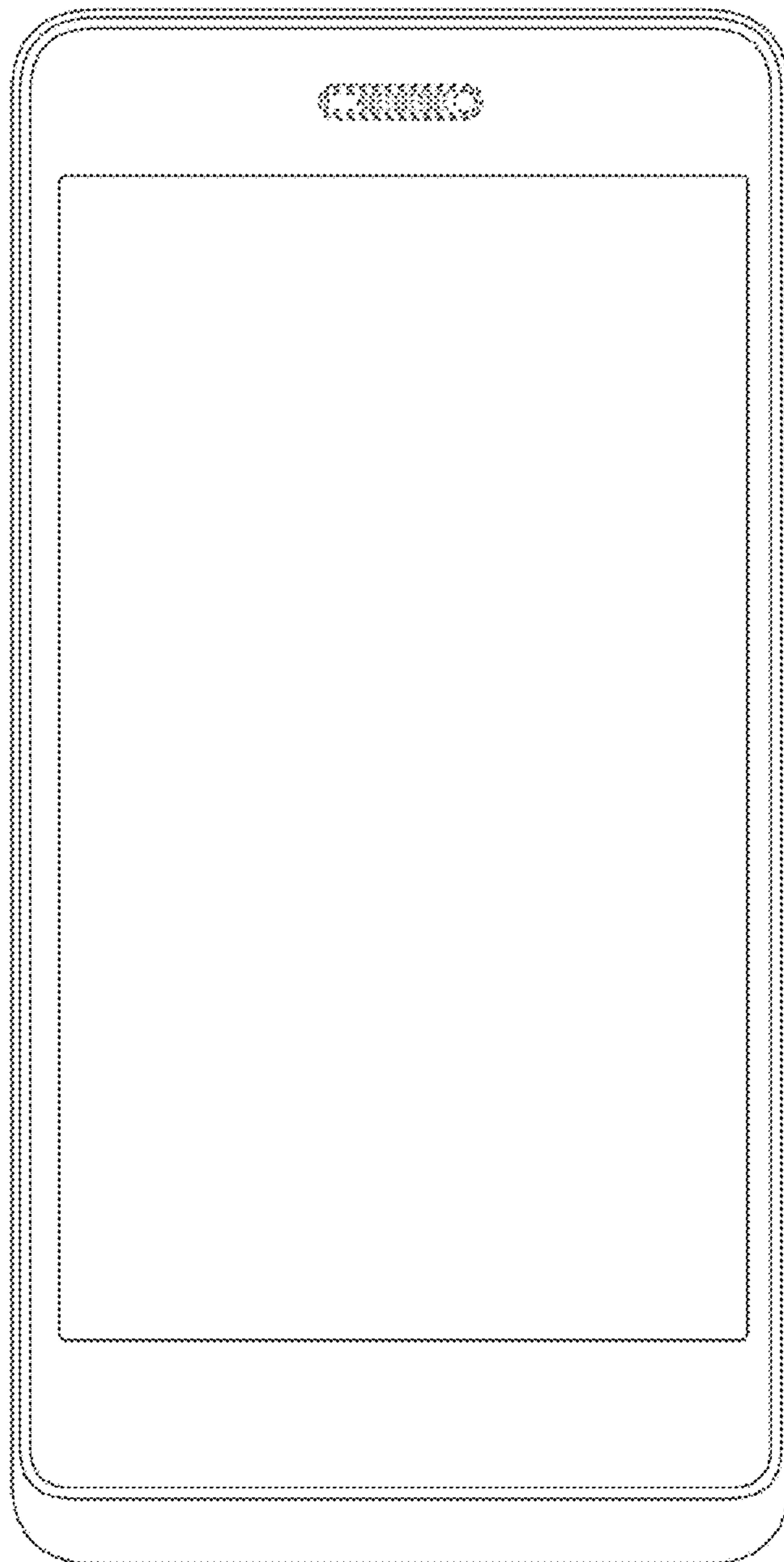


FIG. 1

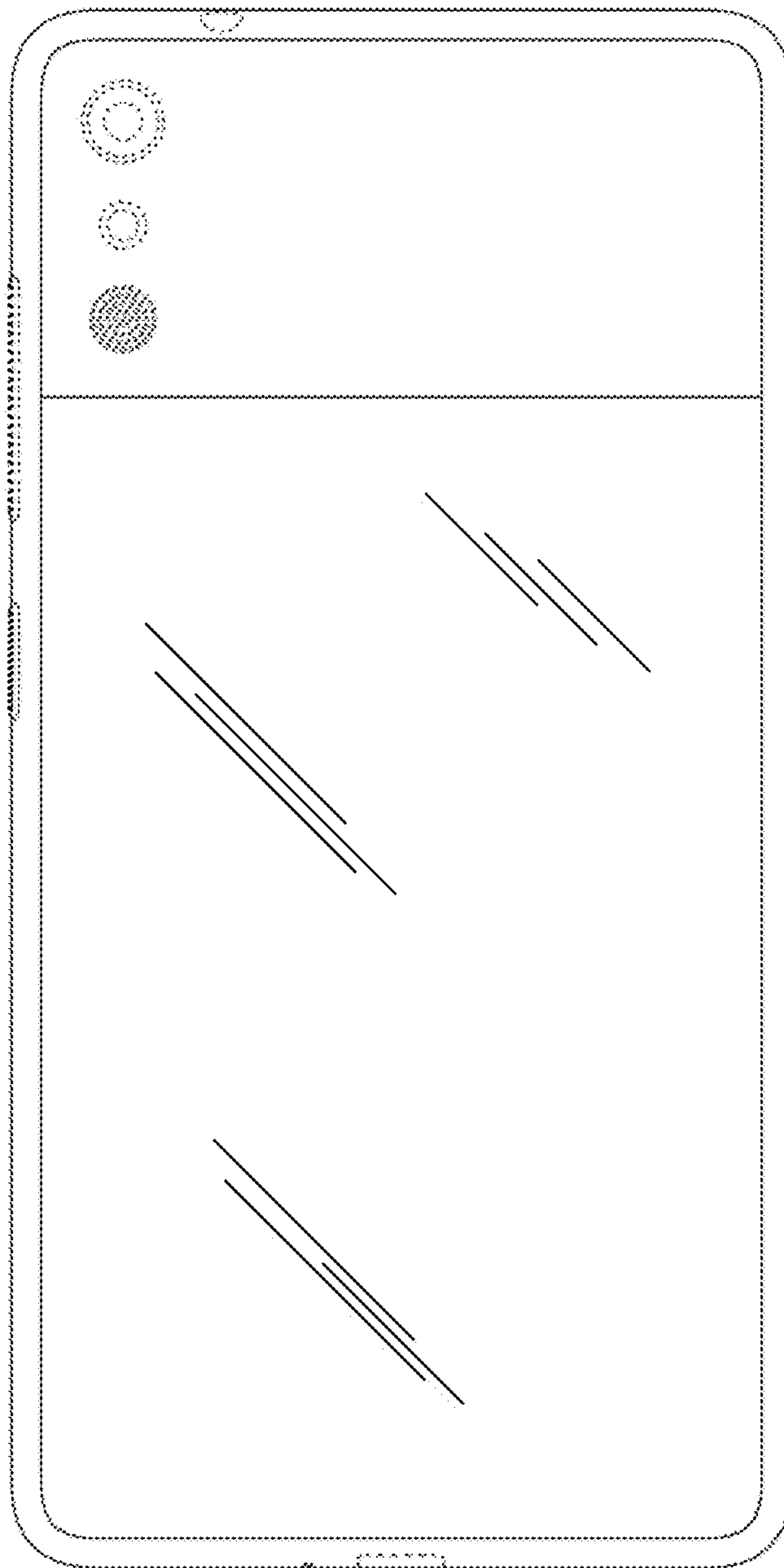


FIG.2

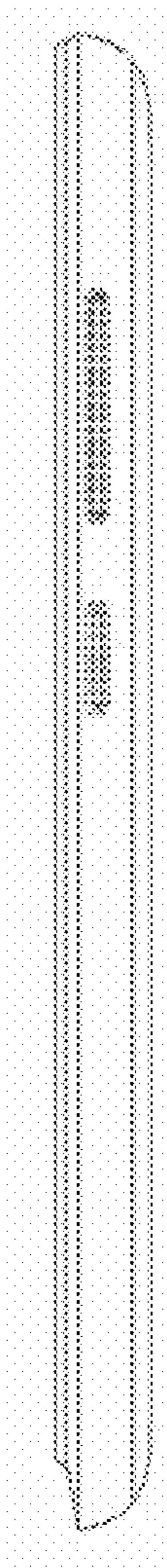


FIG.3

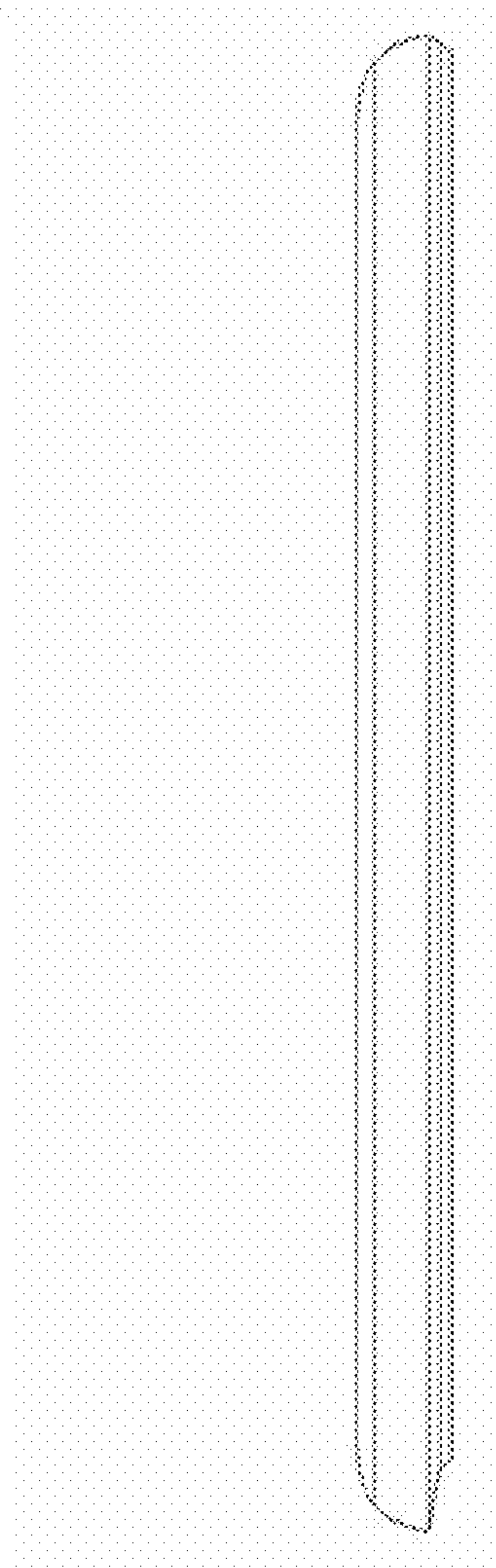


FIG.4

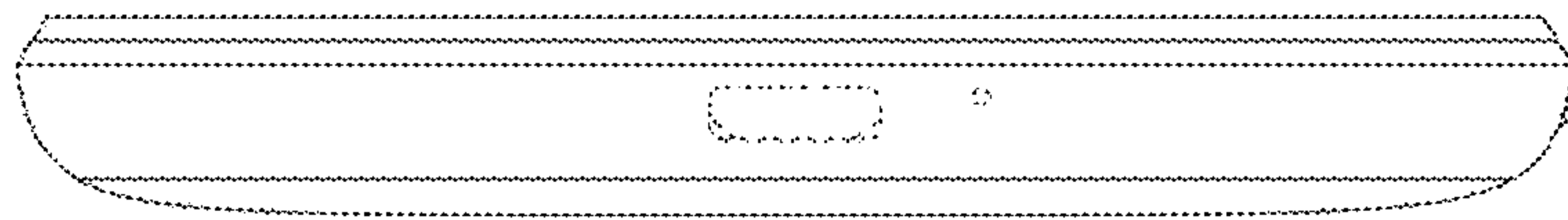


FIG. 5

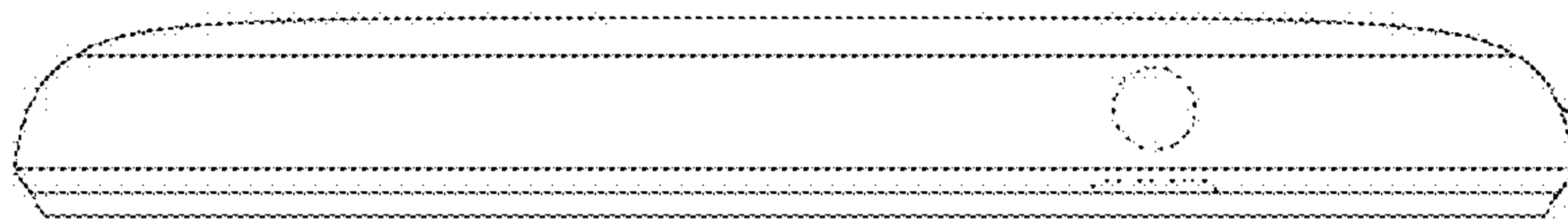


FIG. 6

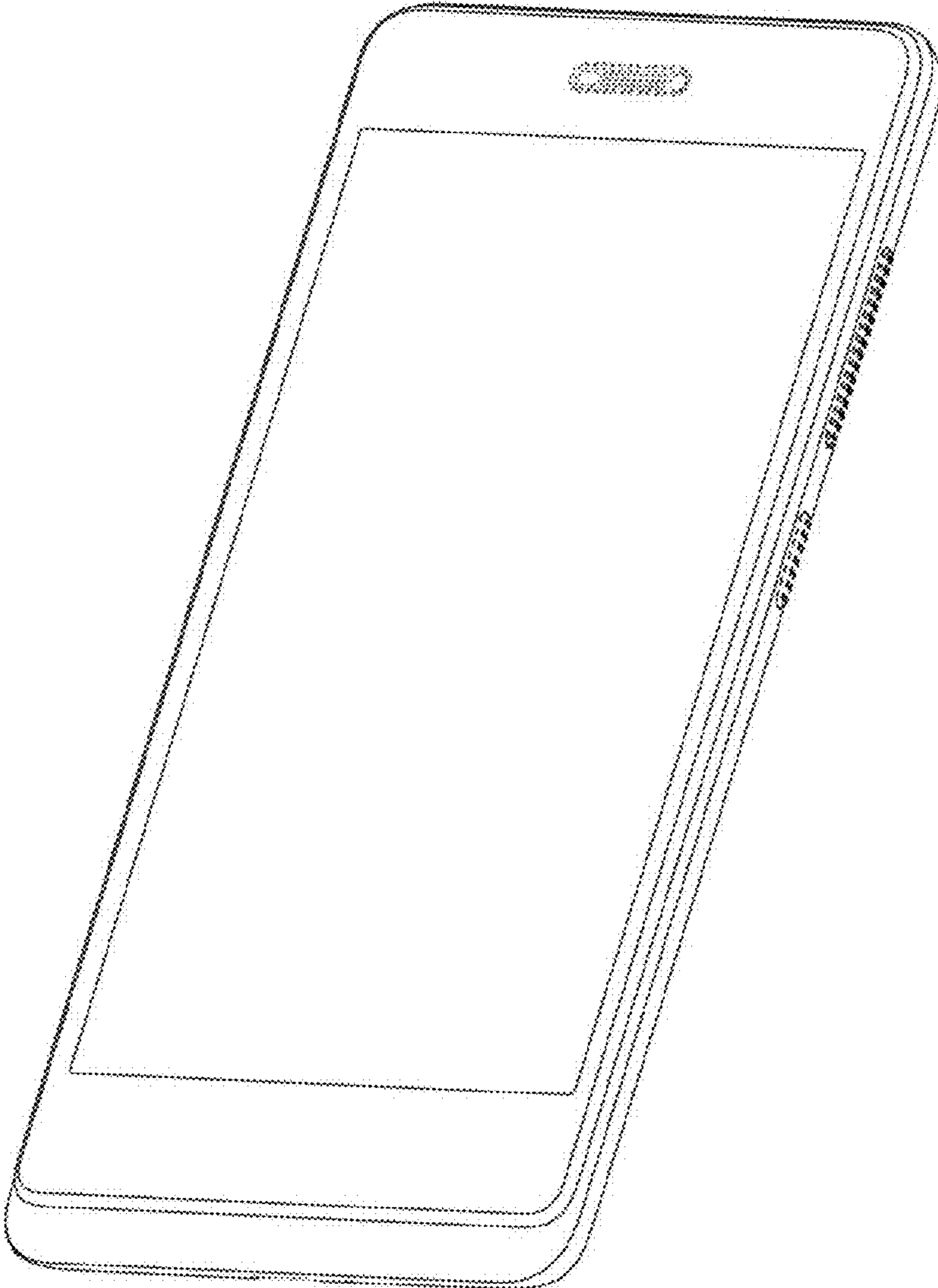


FIG.7

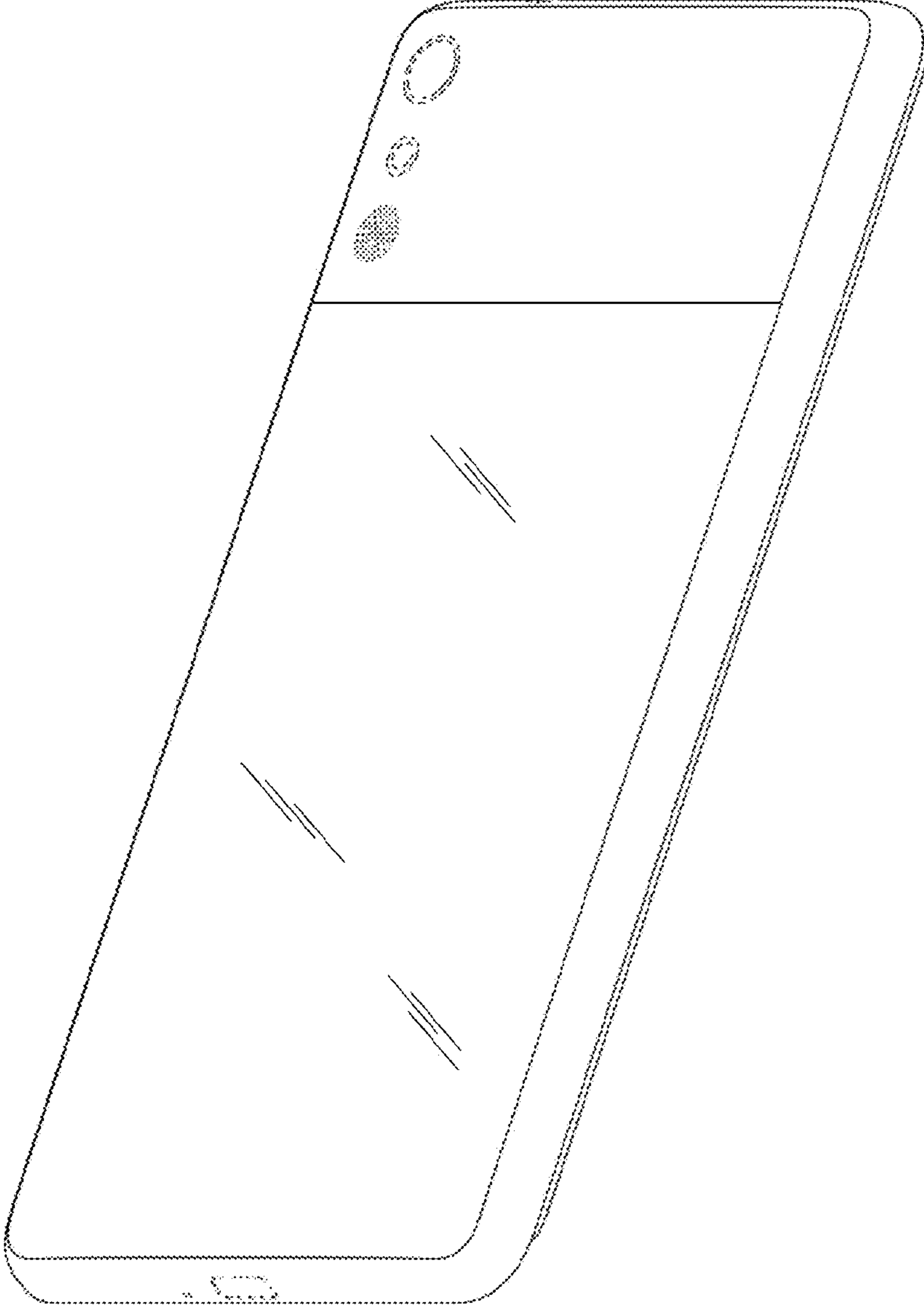


FIG.8

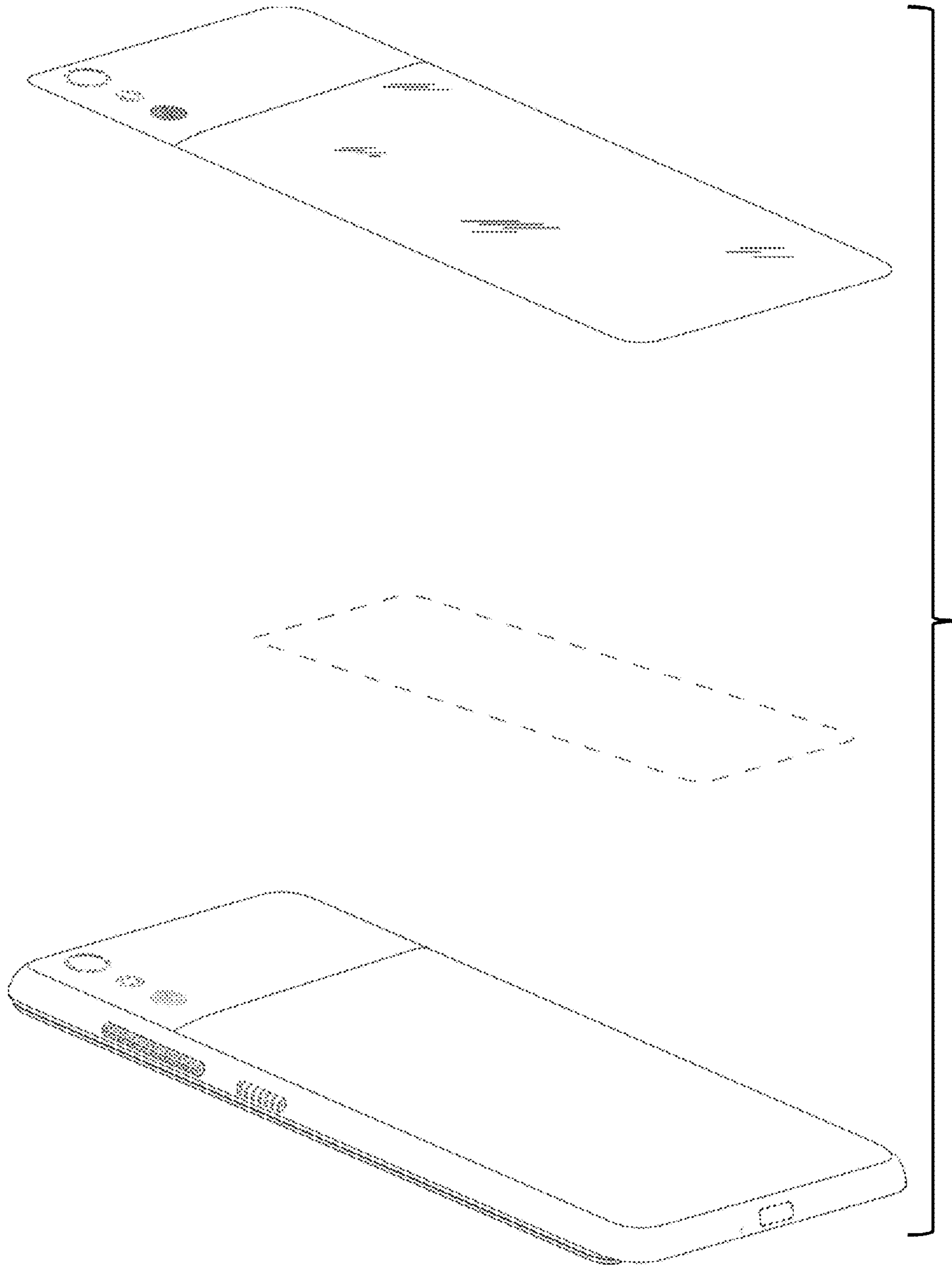


FIG. 9