



US00D767518S

(12) **United States Design Patent** (10) **Patent No.:** **US D767,518 S**
Kim (45) **Date of Patent:** **** Sep. 27, 2016**

(54) **COMBINED CAMERA AND DISPLAY DEVICE FOR VIDEO CALLS**

(71) Applicant: **San Kim**, Seoul (KR)

(72) Inventor: **San Kim**, Seoul (KR)

(**) Term: **14 Years**

(21) Appl. No.: **29/509,932**

(22) Filed: **Nov. 21, 2014**

(30) **Foreign Application Priority Data**

May 27, 2014 (KR) 30-2014-0026017

(51) **LOC (10) Cl.** **14-03**

(52) **U.S. Cl.**
USPC **D14/130**; D14/140.11; D16/208

(58) **Field of Classification Search**
USPC D14/126, 129, 130, 140, 140.2, 142, D14/144, 145, 149, 151, 356, 383-388, 467, D14/502; D24/127, 128, 158, 160, 161, D24/185, 186; D13/107, 108; D16/202, D16/203, 208, 241, 242
CPC H04M 1/274525; H04M 1/27455; H04M 1/02; H04M 1/0202; H04M 1/0264; H04M 1/0266; H04M 1/0295; H04M 1/72527; H04M 2201/50; H04M 2250/20; H04N 1/00106; H04N 1/00302; H04N 1/00305; H04N 1/00307; H04N 2007/145; H04N 5/2253; H04N 7/14; H04N 7/142
See application file for complete search history.

(56) **References Cited**

U.S. PATENT DOCUMENTS

- 5,412,417 A * 5/1995 Tozuka H04N 7/142 348/14.01
- D389,500 S * 1/1998 Krekelberg D16/202
- D390,585 S * 2/1998 Sakata D16/202
- D392,299 S * 3/1998 Lin D16/202
- D405,456 S * 2/1999 Lefkowitz D16/203
- D423,491 S * 4/2000 Harris D14/130
- D430,587 S * 9/2000 Summit D16/202

- 6,120,379 A * 9/2000 Tanaka A63F 13/08 273/148 B
- 6,141,052 A * 10/2000 Fukumitsu G06F 1/1616 348/14.08
- D433,432 S * 11/2000 Prather D16/202
- D446,234 S * 8/2001 Shih D16/202
- D468,759 S * 1/2003 Lin D16/202
- D478,922 S * 8/2003 Han D16/202
- D483,387 S * 12/2003 Chang D16/202
- D496,011 S * 9/2004 Esslinger D14/129
- D550,738 S * 9/2007 Hsia D16/202
- D552,144 S * 10/2007 Logan D16/202
- D558,810 S * 1/2008 Alden D16/202
- D565,070 S * 3/2008 Kim D16/202
- D570,390 S * 6/2008 Goto D14/226
- D626,984 S * 11/2010 Miyaji D16/202
- D637,173 S * 5/2011 Elkerbout D14/159
- 7,955,006 B1 * 6/2011 Harvey F16M 11/10 396/12
- D648,766 S * 11/2011 Chen D16/202

(Continued)

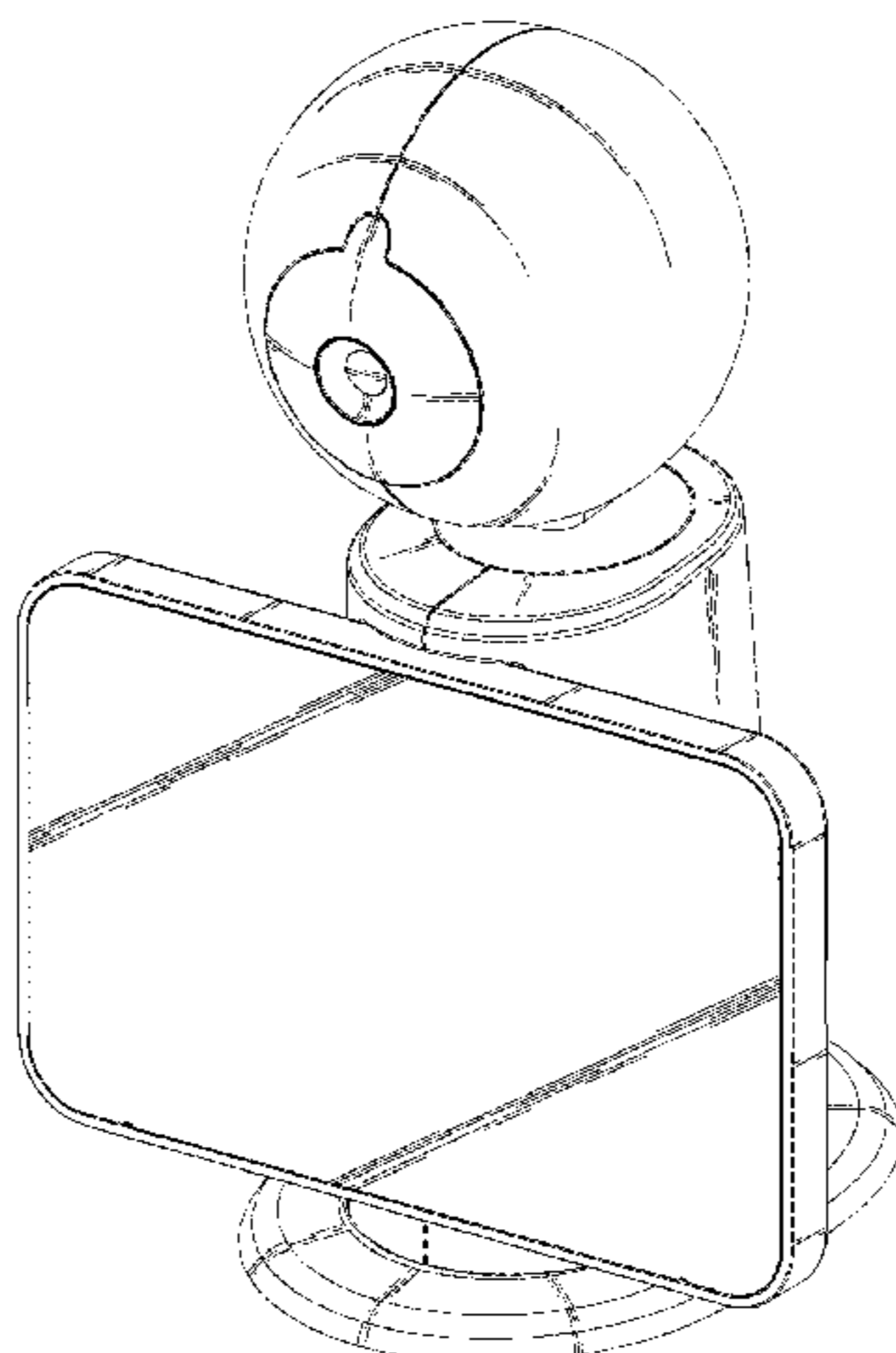
Primary Examiner — Susan Bennett Hattan
Assistant Examiner — Marie Fast Horse
(74) *Attorney, Agent, or Firm* — Novick, Kim & Lee, PLLC; Jae Youn Kim

(57) **CLAIM**
I claim, the ornamental design for a combined camera and display device for video calls, as shown and described.

DESCRIPTION

FIG. 1 is a perspective view of a combined camera and display device for video calls, showing my new design; FIG. 2 is a front elevational view thereof; FIG. 3 is a rear elevational view thereof; FIG. 4 is a left side elevational view thereof; FIG. 5 is a right side elevational view thereof; FIG. 6 is a top plan view thereof; and, FIG. 7 is a bottom plan view thereof. The broken lines in the drawings depict parts of the combined camera and display device for video calls that form no part of the claimed design. The unshaded surfaces seen between the solid and broken lines form no part of the claim.

1 Claim, 6 Drawing Sheets



(56)

References Cited

U.S. PATENT DOCUMENTS

D655,291 S *	3/2012	Scheper	D14/371	D731,579 S *	6/2015	Bart	D16/203
D678,929 S *	3/2013	Hancock	D16/202	D734,337 S *	7/2015	Volta	D14/420
D683,383 S *	5/2013	Skeoch	D16/242	D736,292 S *	8/2015	Fengmin	D16/203
D690,344 S *	9/2013	Hollinger	D16/200	D741,931 S *	10/2015	Huang	D16/202
D693,868 S *	11/2013	Ying	D16/203	D746,887 S *	1/2016	Deng	D16/202
D719,202 S *	12/2014	Lee	D16/202	D747,383 S *	1/2016	Li	D16/203
D722,986 S *	2/2015	Zwier	D14/126	2006/0017842 A1 *	1/2006	Jun	G03B 37/02
D728,497 S *	5/2015	Jung	D14/126				348/373
D728,654 S *	5/2015	Lee	D16/202	2013/0011127 A1 *	1/2013	Lawton	G02B 13/06
							396/71
				2014/0197240 A1 *	7/2014	Mistkawi	G06K 7/0017
							235/470

* cited by examiner

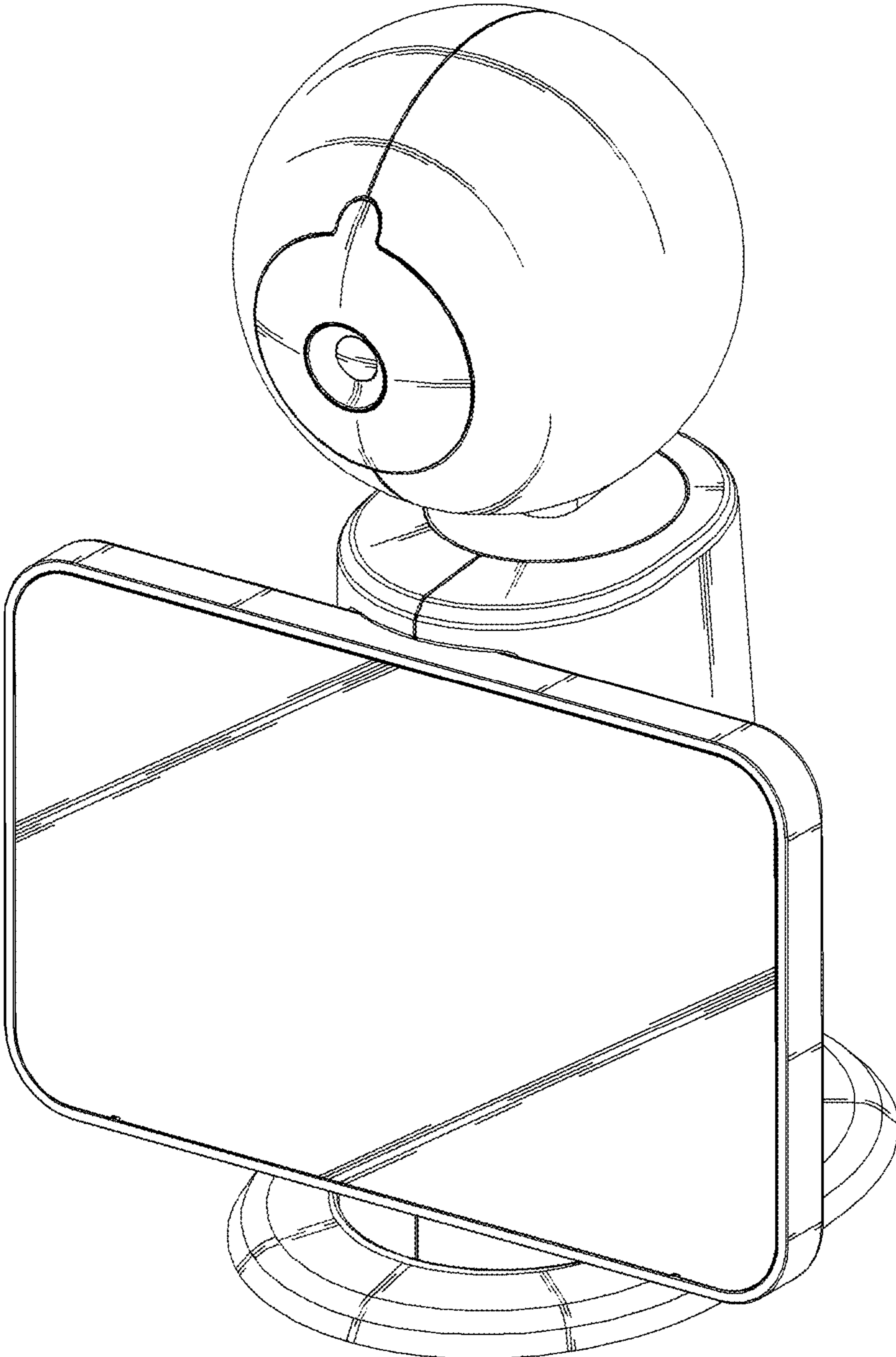


FIG. 1

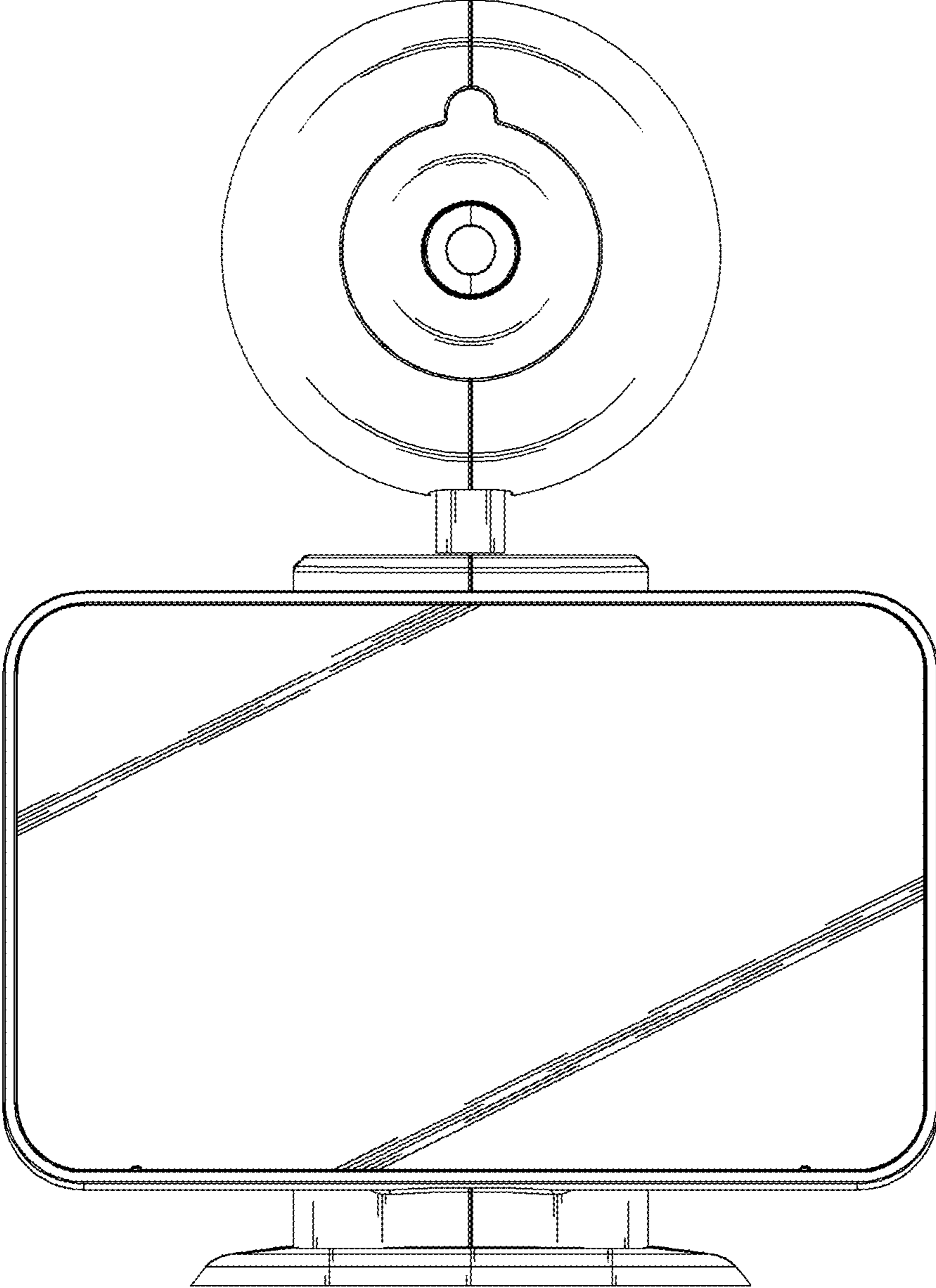


FIG.2

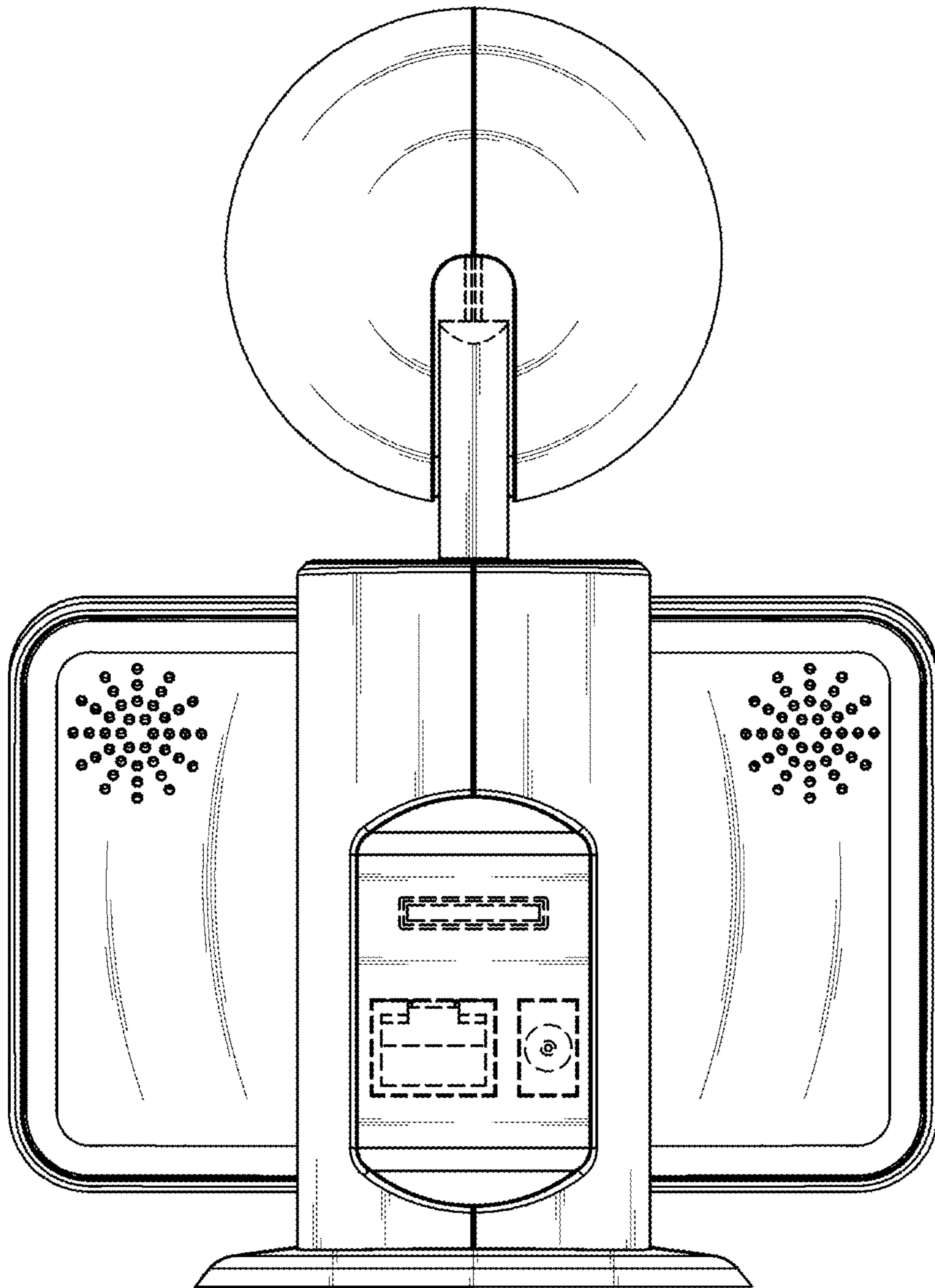


FIG.3

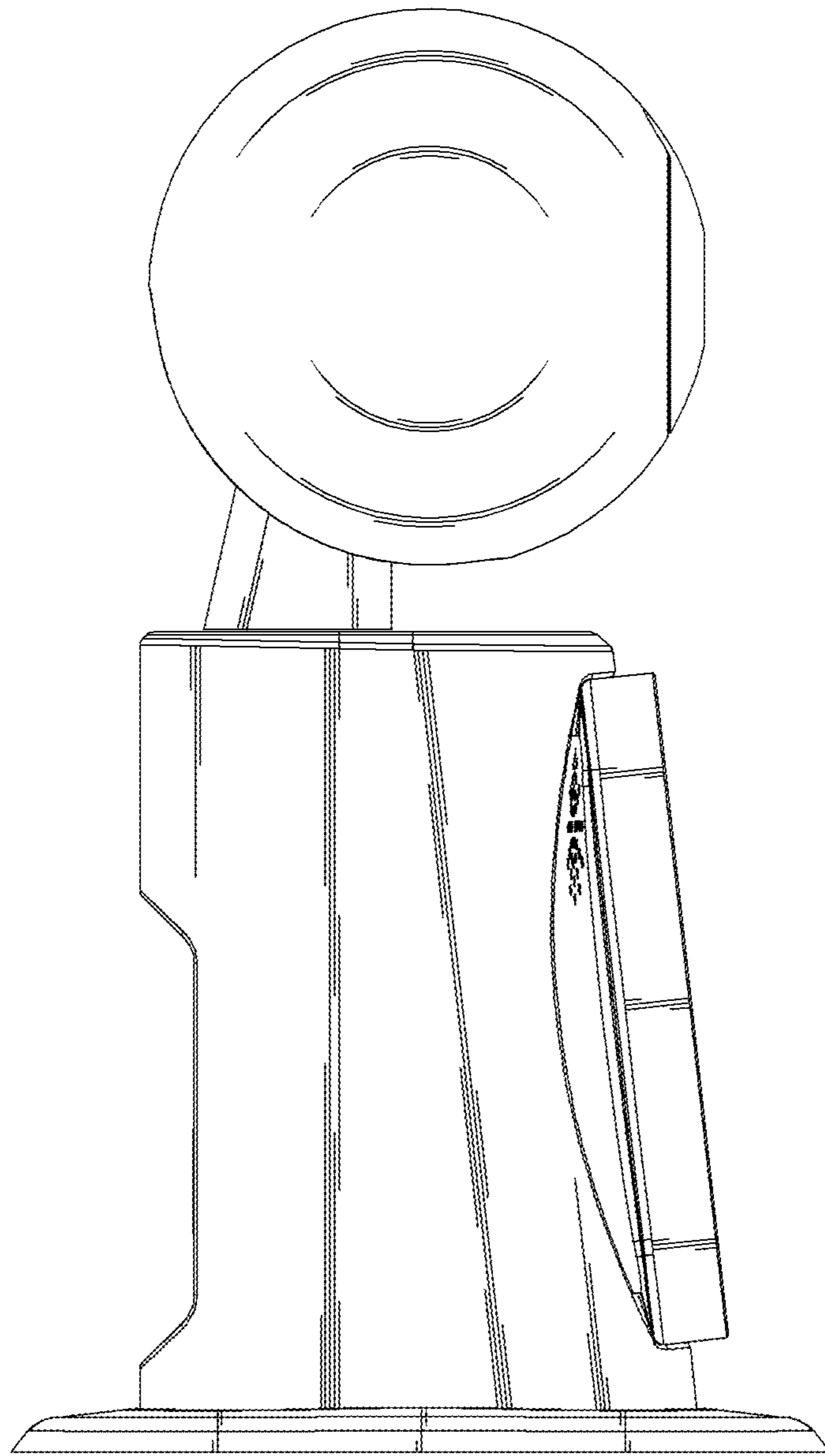


FIG.4

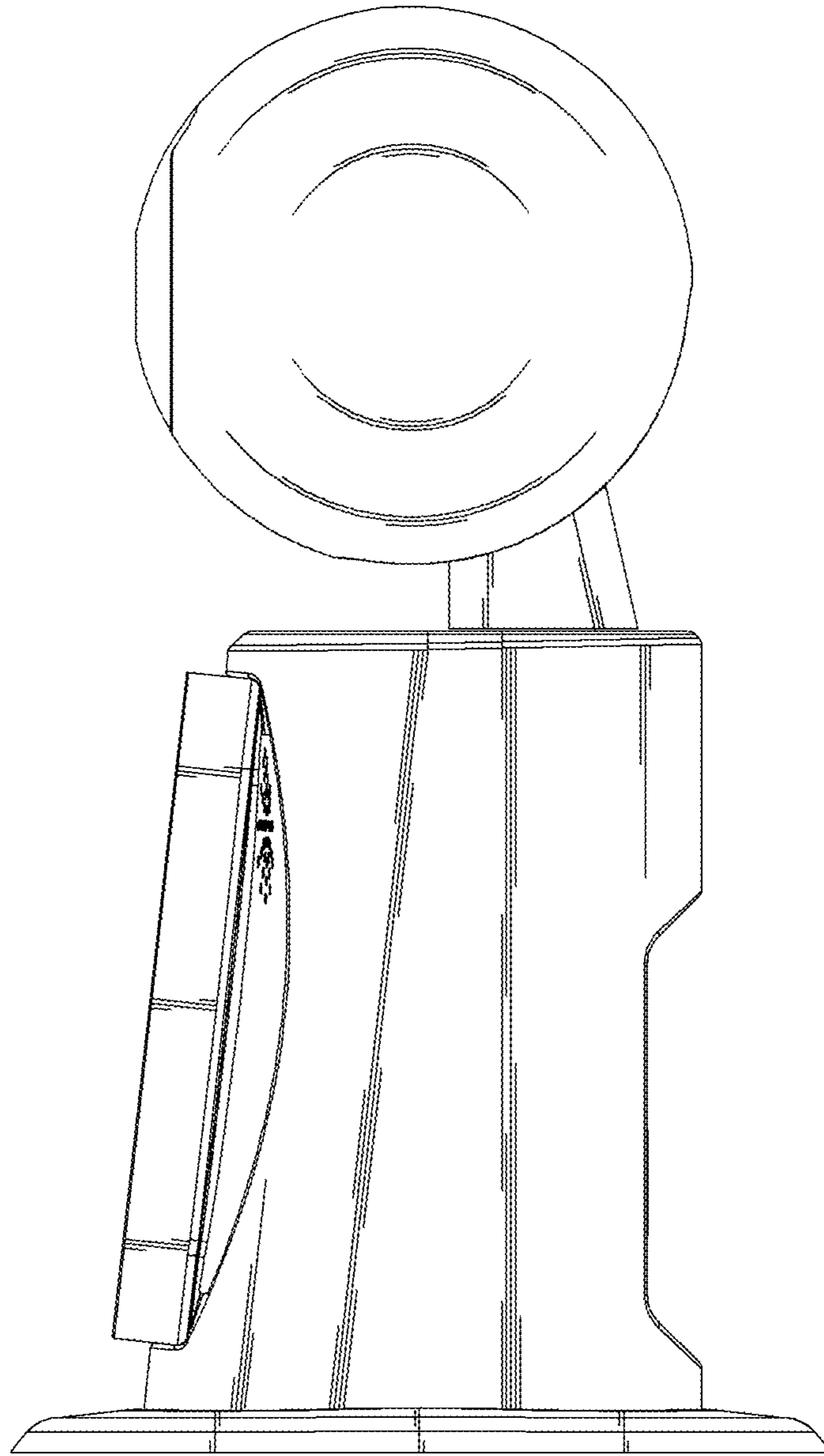


FIG. 5

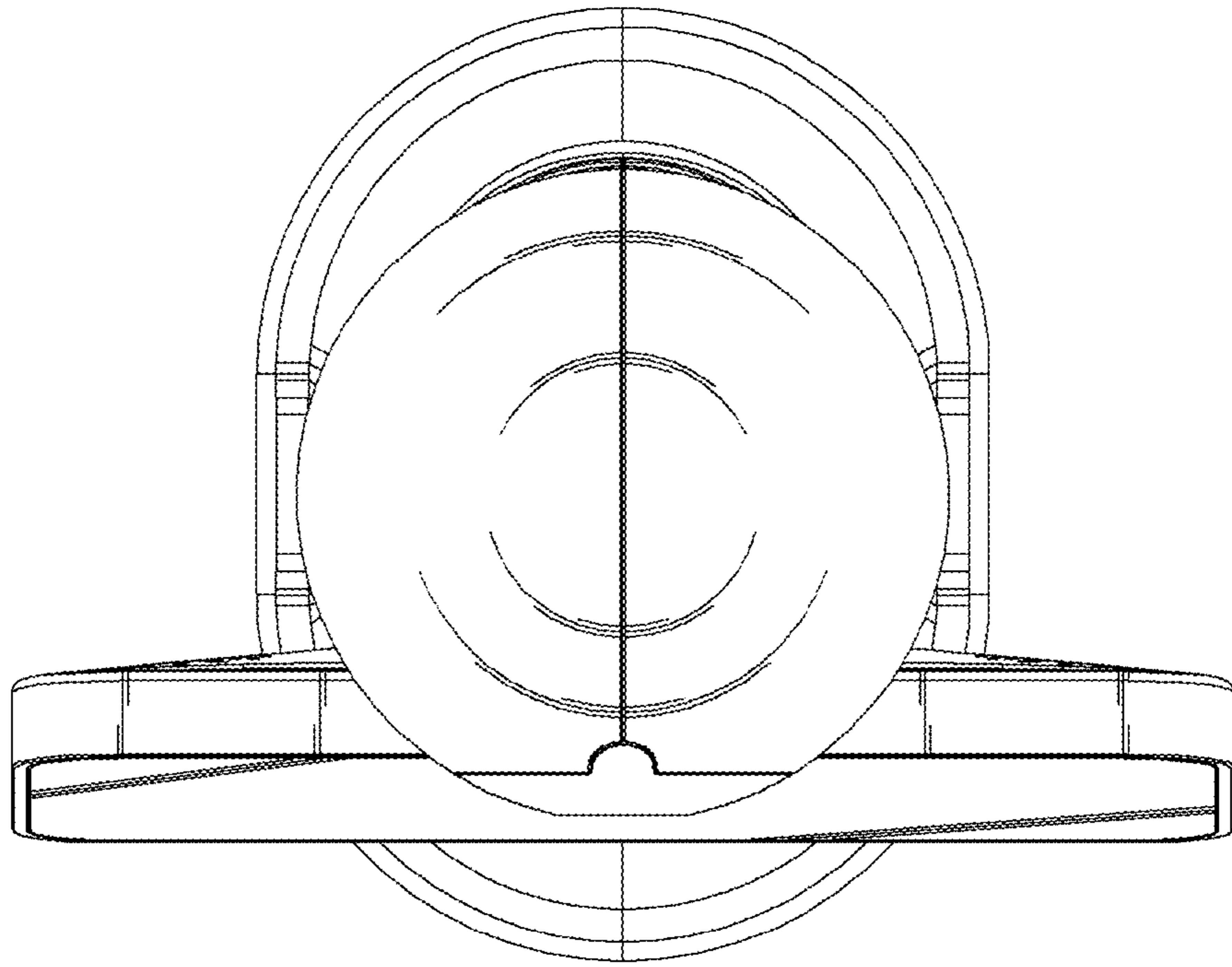


FIG.6

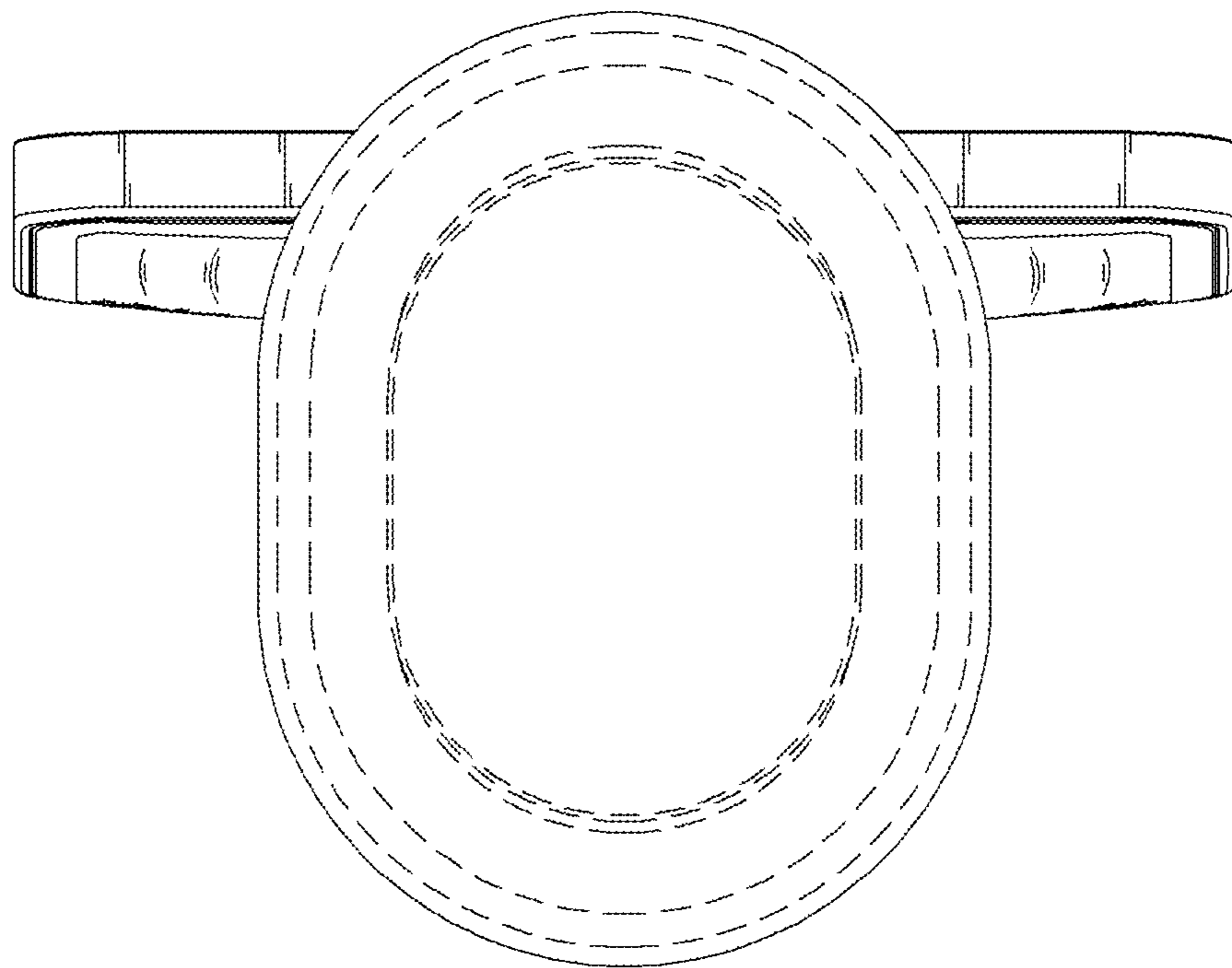


FIG.7